

Illustrated Parts List

Model Series

82300 to 82399

TYPE NUMBERS

0111, 0126,
0130 through 0165,
0526 through 0532,
0537, 0538, 0548,
0549, 2528, 2535,
2537, 2538,
2547 through 2549,
4001 through 4008,
4035, 4037, 4049.

TO FIND

THE CORRECT NUMBER OF THE PART YOU NEED: FOLLOW THE INSTRUCTIONS BELOW

- A. Refer to Engine Model, Type and Code Number that is stamped on the blower housing of engine. Engine type numbers such as 0123 01 are listed only as 0123 in most instances. The two digits (01 or 02, etc.) to the right of the space may be required for more accurate parts identification in some instances. Select the Illustrated Parts List covering the correct Model Series and Type Number.
- B. Refer to the Illustrations and compare the original part with Illustration. The number next to the illustration is the Reference Number. Assemblies include all parts shown in frames. All parts shown in assembly frames having individual reference numbers can be purchased separately.
- C. After the Reference Number has been identified, refer to the Numerical text, where Reference and Primary Part Number are listed. **THE PRIMARY PART IS USED ON ALL TYPE NUMBERS EXCEPT THOSE TYPE NUMBERS UNDER "NOTE."**
- D. If a "Note" appears below the Primary Part Number, it means that this part differs from the Primary Part for certain types. If your Type number is listed under "Note," order the part referred to at the "Note."
- E. If your Engine Type Number does not appear after any part number listed under "Note," use the Primary Part Number.
- F. For Engine Type Numbers not covered by this book, check other Parts Lists having the same engine model or contact your source of supply.

PRINTED IN U.S.A.

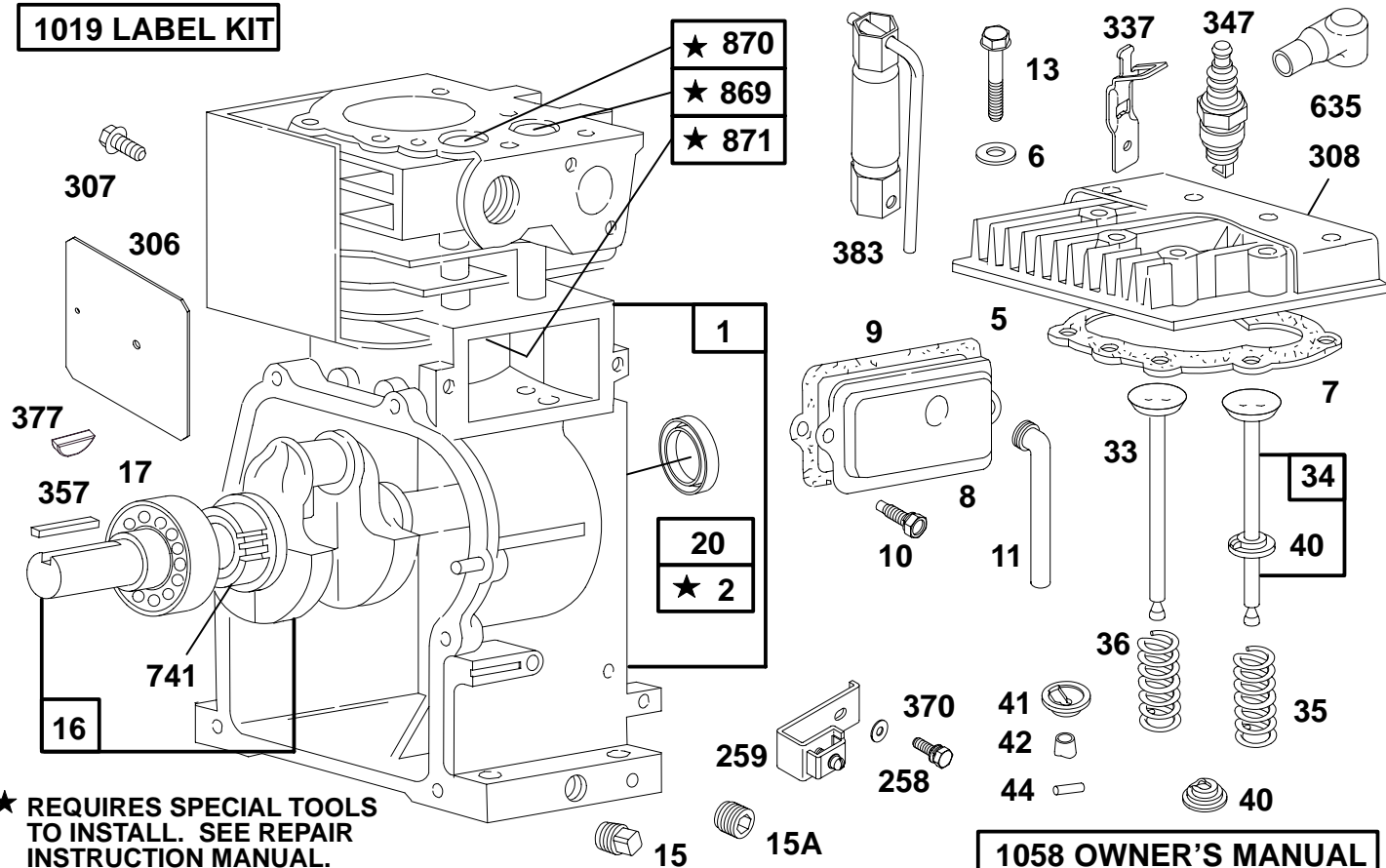
COPYRIGHT©

BRIGGS & STRATTON

®

82300 to 82399

1019 LABEL KIT



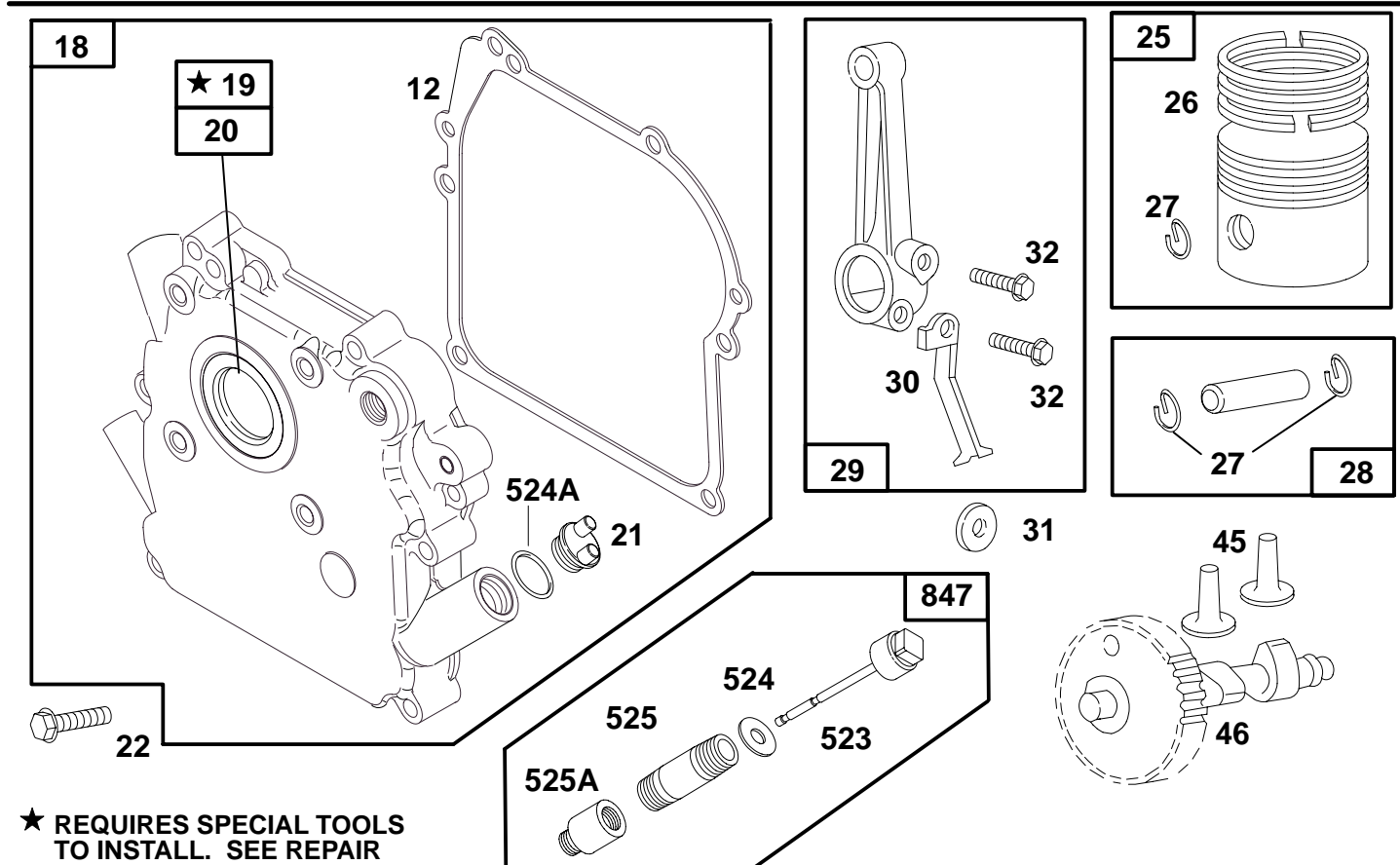
★ REQUIRES SPECIAL TOOLS TO INSTALL. SEE REPAIR INSTRUCTION MANUAL.

1058 OWNER'S MANUAL

REF. NO.	PART NO.	DESCRIPTION	REF. NO.	PART NO.	DESCRIPTION	REF. NO.	PART NO.	DESCRIPTION
1	395567	Cylinder Assembly	33		Valve-Exhaust SEE LAST PAGES	347	220824	Switch-Stop
2	399269	Bushing	34	296677	Valve-Intake	357	91539	Key-Drive Pulley (3/16" Square)
		Note ——— Requires Special Tools For Installation.	35	260552	Spring-Valve	370	66432	Washer-Plain
5	210812	Head-Cylinder	36		Spring-Valve SEE LAST PAGES	377	93065	Key-Woodruff
6	22963	Washer	40	93312	Retainer-Valve	383	89838	Wrench-Spark Plug
7		Gasket-Cylinder Head SEE LAST PAGES	41		Retainer-Valve SEE LAST PAGES	635	66538	Boot-Spark Plug
8	294178	Breather Assembly	42	230127	Keeper-Valve Note ——— 23184 Keeper-Valve Used on Type No(s). 0133.	741		Gear-Timing SEE LAST PAGES
9	★27549	Gasket-Breather	44	230126	Pin-Retainer Note ——— 23187 Pin-Retainer Used on Type No(s). 0133.	869		Seat-Valve SEE LAST PAGES
10	94621	Screw-Breather Mtg.				870	211291	Seat-Valve (Exhaust) Note ——— For Options, See Repair Manual.
11	271489	Tube-Breather				871	262001	Guide-Bushing Note ——— 63709 Guide-Bushing (Replacement Only) See Repair Manual.
13	94547	Screw-Cylinder Head Note ——— 93583 Stud-Cylinder Used on Type No(s). 4035.	258	93062	Screw-Sem	1019	491075	Label Kit
15	91249	Plug-Oil Drain	259	294502	Bracket-Casing	1058	27842	Owner's Manual
15A	93448	Plug-Oil Drain	306	220478	Shield-Cylinder			
16		Crankshaft SEE LAST PAGES	307	93490	Screw-Sem			
17		Bearing-Ball SEE LAST PAGES	308	223390	Cover-Cylinder Head			
			337		Plug-Spark SEE LAST PAGES			

★ Included in Gasket Set-Part No. 495602.
● Included in Carburetor Kit-See Ref. 121.

82300 to 82399

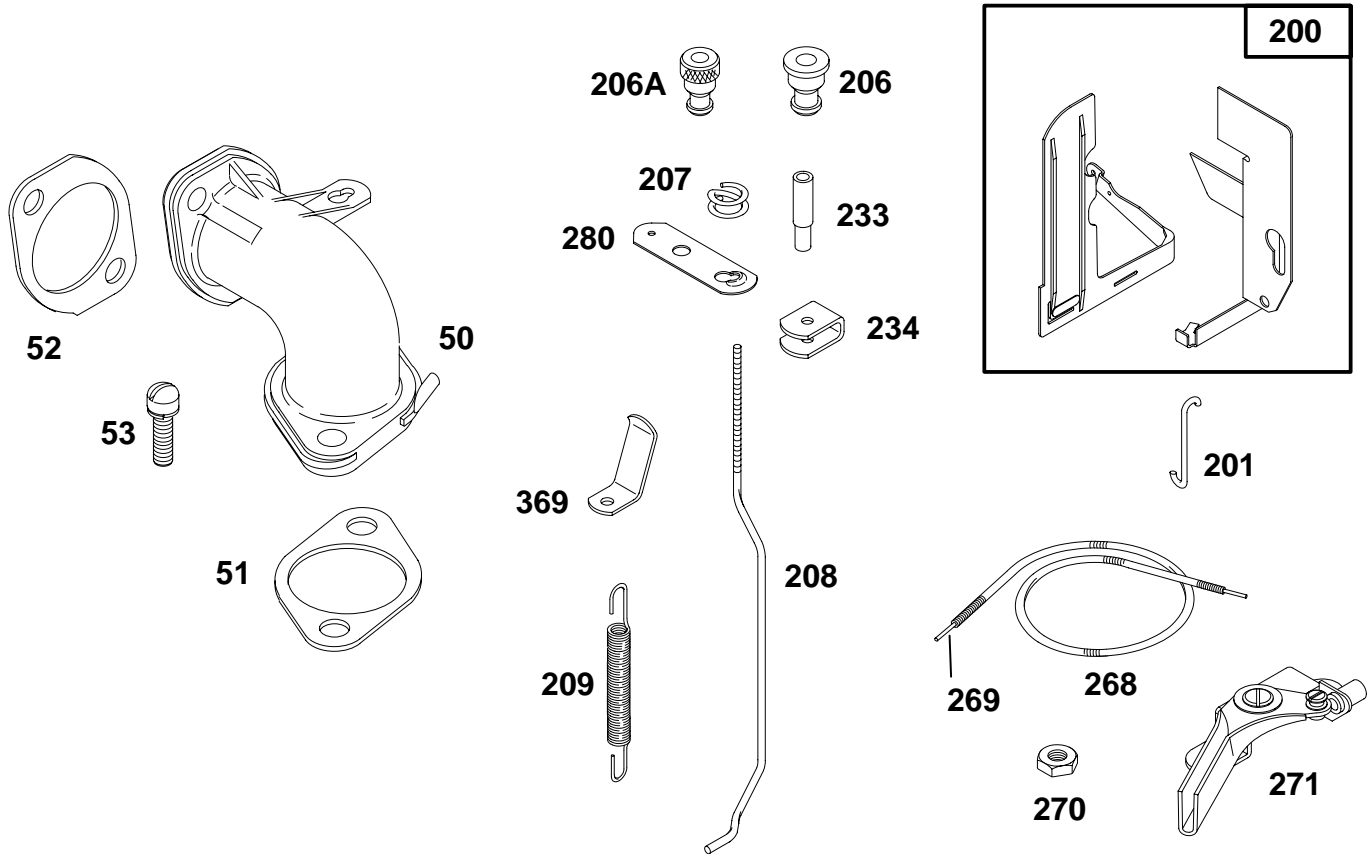


★ **REQUIRES SPECIAL TOOLS TO INSTALL. SEE REPAIR INSTRUCTION MANUAL.**

REF. NO.	PART NO.	DESCRIPTION	REF. NO.	PART NO.	DESCRIPTION	REF. NO.	PART NO.	DESCRIPTION	
18	496674	Cover-Crankcase (Used After Code Date 93071800). 395259 Cover-Crankcase (Used Before Code Date 93071900). Used on Model Series 82331 and 82332. For Exceptions, see 298511 . ———— Note ———— 394909 Cover-Crankcase. Used on Model Series 82351 and 82352. For Exceptions, see 294307 . 294307 Cover-Crankcase Used on Type No(s). 0548, 0549, 2547, 2548, 2549, 4049.							
				19	Bushing SEE LAST PAGES			298511 Cover-Crankcase Used on Type No(s). 0141, 0142, 0148, 0152, 0153, 0526, 0527, 0528, 0529, 0530, 0531, 0532, 0537, 0538, 2528, 2535, 2537, 2538.	
				21	66768 Plug-Oil Fill			26	295458 Piston Assy. (.030" O.S.) Ring Set SEE LAST PAGES
				22	94607 Screw-Hex. Hd. ———— Note ———— 92747 Screw-Gear Cover Used in Two Top Holes to Mount Cover. Used on Model Series 82351 and 82352.			27	26026 Lock-Piston Pin
								28	298909 Pin-Piston (Standard) 298908 Pin-Piston (.005" O.S.)
				25	295455 Piston Assy. (Std.) 295456 Piston Assy. (.010" O.S.) 295457 Piston Assy. (.020" O.S.)			29	294367 Rod-Connecting 296079 Rod-Conn. (.020" Undersize)
								30	220670 Dipper-Conn.-Rod
								31	222282 Washer-Flat
								32	94404 Screw-Conn-Rod
								45	230173 Tappet-Valve
								46	493747 Gear-Cam
								523	297357 Cap-Oil Fill
								524	65304 Gasket-Cap
								524A	271485 Ring-Oil Ret.
								525	91258 Nipple-Fill (2-1/2" Long)
								525A	394884 Adapter-Oil Fill
								847	493955 Tube Assy.-Oil

★ Included in Gasket Set-Part No. 495602.
● Included in Carburetor Kit-See Ref. 121.

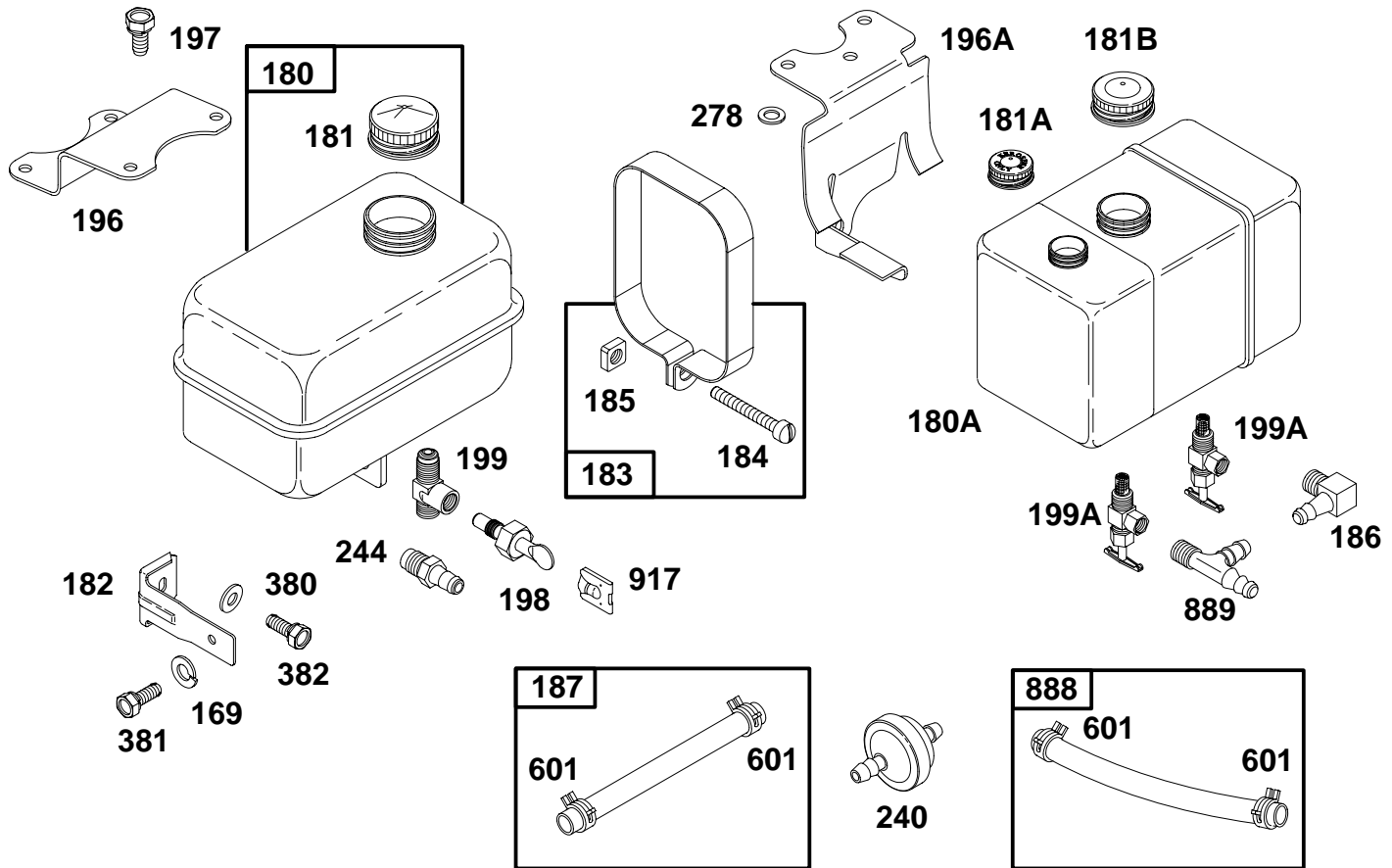
82300 to 82399



REF. NO.	PART NO.	DESCRIPTION	REF. NO.	PART NO.	DESCRIPTION	REF. NO.	PART NO.	DESCRIPTION
50	210810	Manifold-Intake	209	26925	Spring-Governor	269	26099	Wire-Control (54" Long)
51	★68987	Gasket-Carb. Mtg.	233	230253	Stop-Rod			Note ——— If Longer Wire is Needed, Specify Length in Inches; if a Shorter Wire is Needed, Order and Cut to Required Length.
52	★27355	Gasket-Intake	234	220730	Clip-Rod	270	63426	Locknut-Casing
53	94442	Screw-Sem	268	66986	Casing-Wire (48" Long)	271	290568	Lever-Control
200	490528	Blade-Governor			Note ——— If Longer Casing is Needed, Specify Length in Inches; if a Shorter Casing is Needed, Order and Cut to Required Length.	278	220863	Washer
201	26235	Link				280	223236	Bracket-Rod
206	230944	Guide-Rod				369	220705	Spring-Rod
206A	230149	Speed Adjuster						
207	26855	Spring-Control Rod						
208	231345	Rod-Control						
		Note ——— 230194 Rod-Control Used on Type No(s). 0135, 0151, 0164, 4005.						

★ Included in Gasket Set-Part No. 495602.
● Included in Carburetor Kit-See Ref. 121.

82300 to 82399

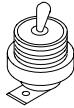


REF. NO.	PART NO.	DESCRIPTION	REF. NO.	PART NO.	DESCRIPTION	REF. NO.	PART NO.	DESCRIPTION	
169	90832	Washer-Lock	187	296004	Line-Fuel (Flexible) (23" Long) (For Kerosene Line, Cut to Length)	199A	392882	Valve-Shut Off (Kerosene-Gasoline)	
180	292945	Tank-Fuel (3 Quart)	<p>_____ Note _____</p> <p>196</p>	220369	Support-Tank	240	298090	Filter-Fuel	
180A	392911	Tank-Fuel (3 Quart) (Kerosene-Gasoline)		199	295896	Outlet-Tank (Includes Strainer) (For Flexible Fuel Line)	244	230318	Connector-Fuel Line
181	393156	Cap-Fuel Tank		198	293934	Valve-Fuel Shut-Off	278	93083	Washer (Between Support and Cylinder Head)
181A	392886	Cap-Fuel Tank (Small) (Kerosene-Gasoline)	196A	222759	Support-Tank (Kerosene-Gasoline)	380	62199	Washer	
181B	392887	Cap-Fuel Tank (Large) (Kerosene-Gasoline)	197	93083	Screw-Sem	381	93559	Screw-Sem	
182	220195	Bracket-Fuel Tank	198	293934	Valve-Fuel Shut-Off	382	93158	Screw-Sem	
183	393181	Strap-Fuel Tank	199	295896	Outlet-Tank (Includes Strainer) (For Flexible Fuel Line)	_____ Note _____			
184	91257	Screw-Fill. Hd.				601	93053	Clamp-Hose	
185	90970	Nut-Square				888	393891	Line-Fuel (Flexible-Short) (Kerosene-Gasoline)	
186	67218	Connector-Fuel Line (For Flexible Fuel Line)				889	93915	Tee (Kerosene-Gasoline)	
						917	223271	Handle-Shut-Off Valve	

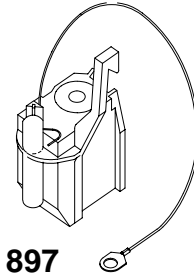
★ Included in Gasket Set-Part No. 495602.
 ● Included in Carburetor Kit-See Ref. 121.



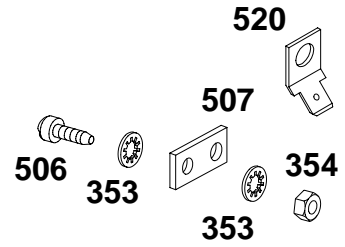
575



575A



897



520

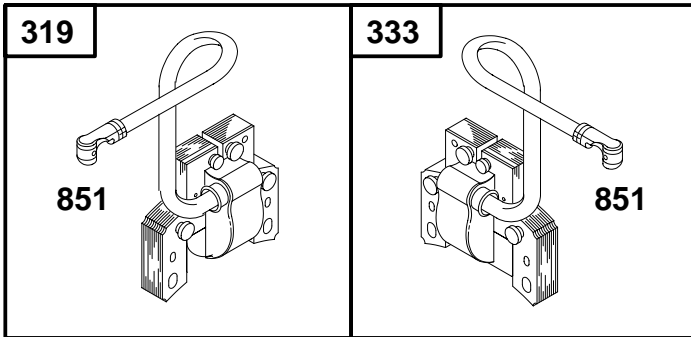
507

506

353

354

353

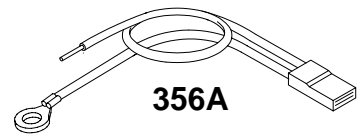


319

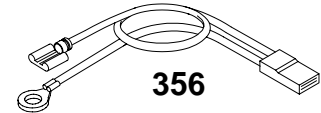
851

333

851



356A



356

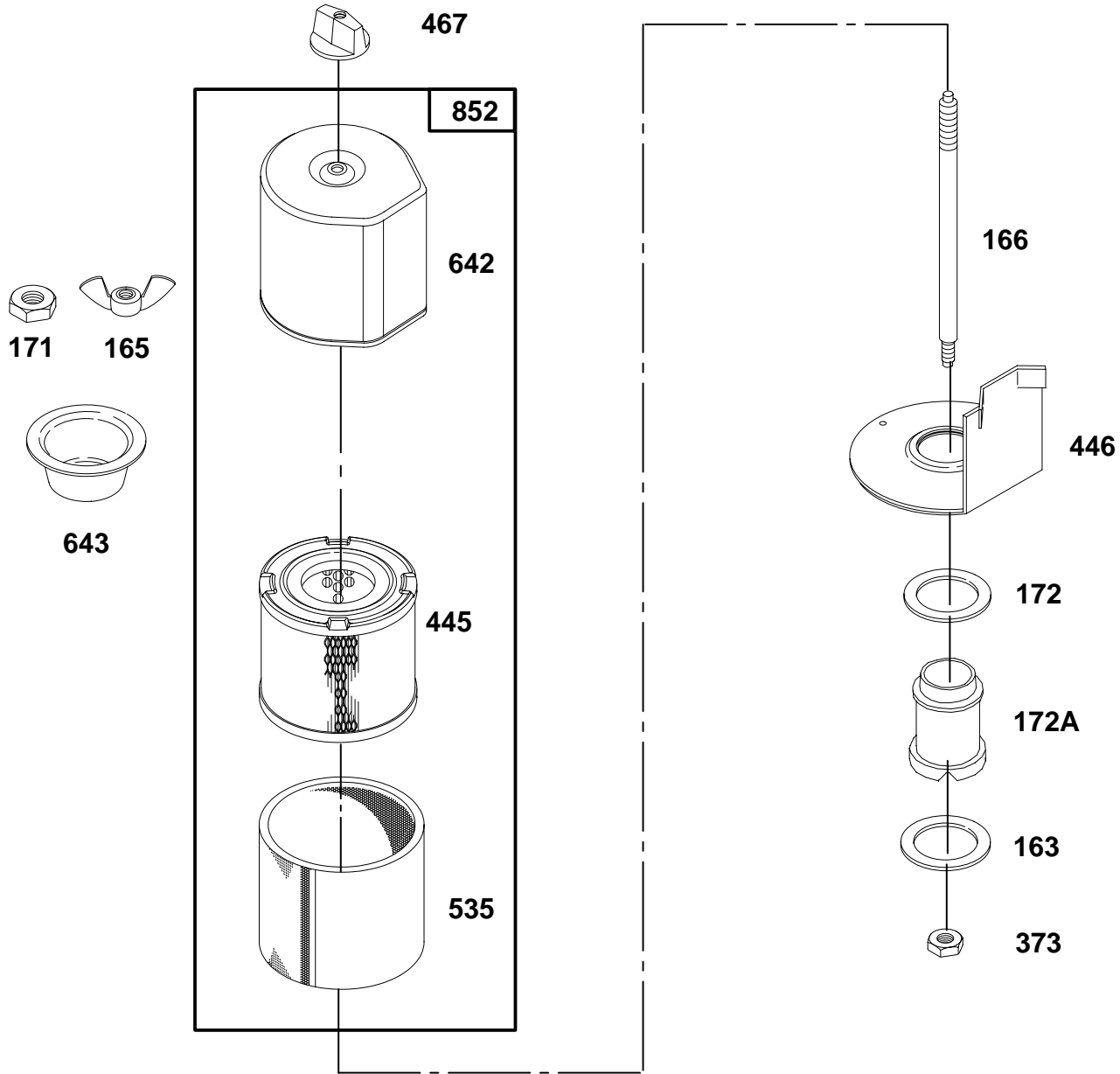


334

REF. NO.	PART NO.	DESCRIPTION	REF. NO.	PART NO.	DESCRIPTION	REF. NO.	PART NO.	DESCRIPTION
319	395488	Armature-Magneto (Less Trigger Coil)	356	398874	Wire-Stop	520	93722	Terminal
333	398593	Armature-Magneto	356A	398808	Wire-Stop (Used Only With Ref. 319 Armature)	575	396691	Switch-Starting
334	93381	Screw-Armature Mounting Sem	506	90200	Screw-Fill. Hd.	575A	397248	Switch-Starting
353	92791	Washer-Lock	507	66895	Insulator	851	221798	Terminal-Cable
354	90576	Nut-Hex.				897	394970	Magnetron® Ignition Kit

★ Included in Gasket Set-Part No. 495602.
 ● Included in Carburetor Kit-See Ref. 121.

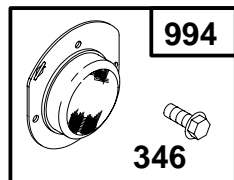
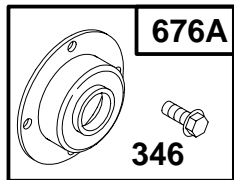
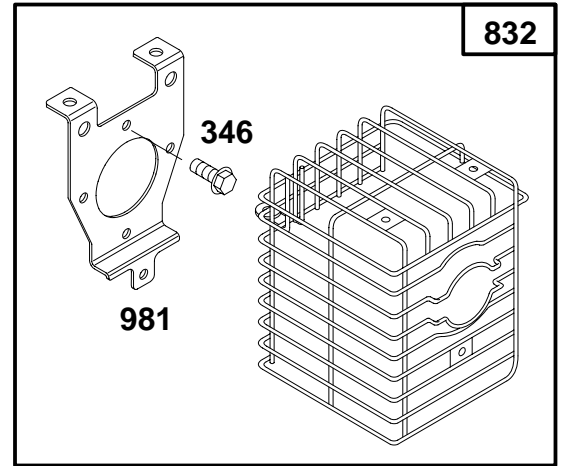
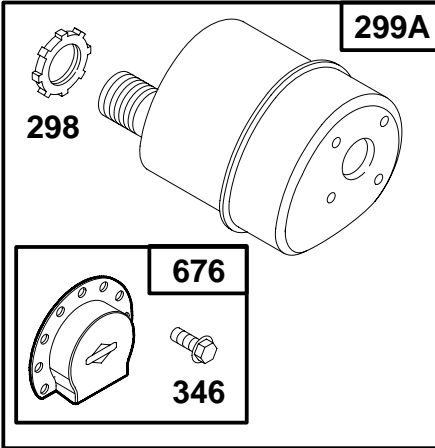
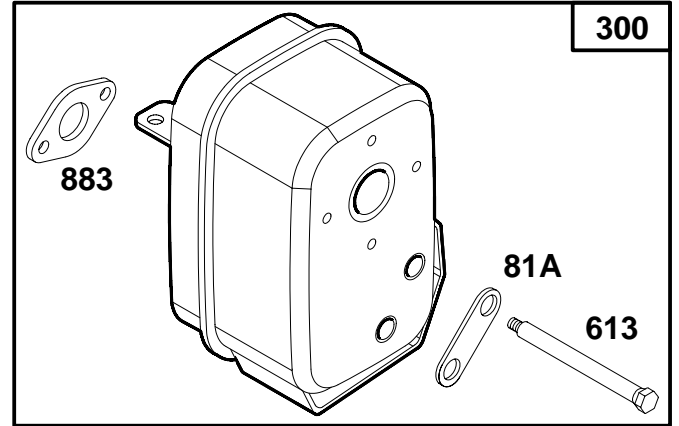
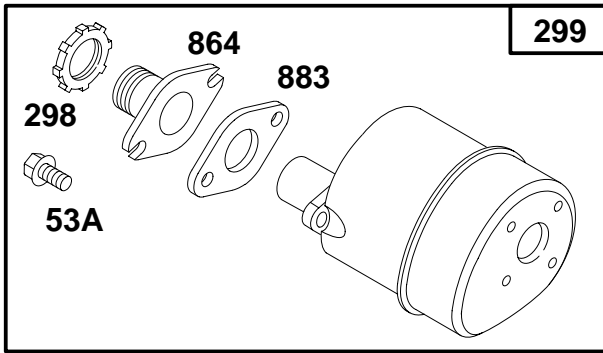
82300 to 82399



REF. NO.	PART NO.	DESCRIPTION	REF. NO.	PART NO.	DESCRIPTION	REF. NO.	PART NO.	DESCRIPTION
163	★271042	Gasket–Air Cleaner	172	271139	Spacer–Air Cleaner	467	212706	Knob
165	93856	Nut–Wing	172A	280213	Spacer–Air Cleaner	535	271466	Filter–Air
166	231314	Stud–Air Cleaner	373	92987	Nut–Hex.	642	223306	Cover–Air Cleaner
171	92987	Nut–Hex.	445	396424	Filter–Air	643	222845	Retainer–Air Filter
			446	395642	Base–Air Cleaner	852	396397	Cleaner–Air

★ Included in Gasket Set–Part No. 495602.
 ● Included in Carburetor Kit–See Ref. 121.

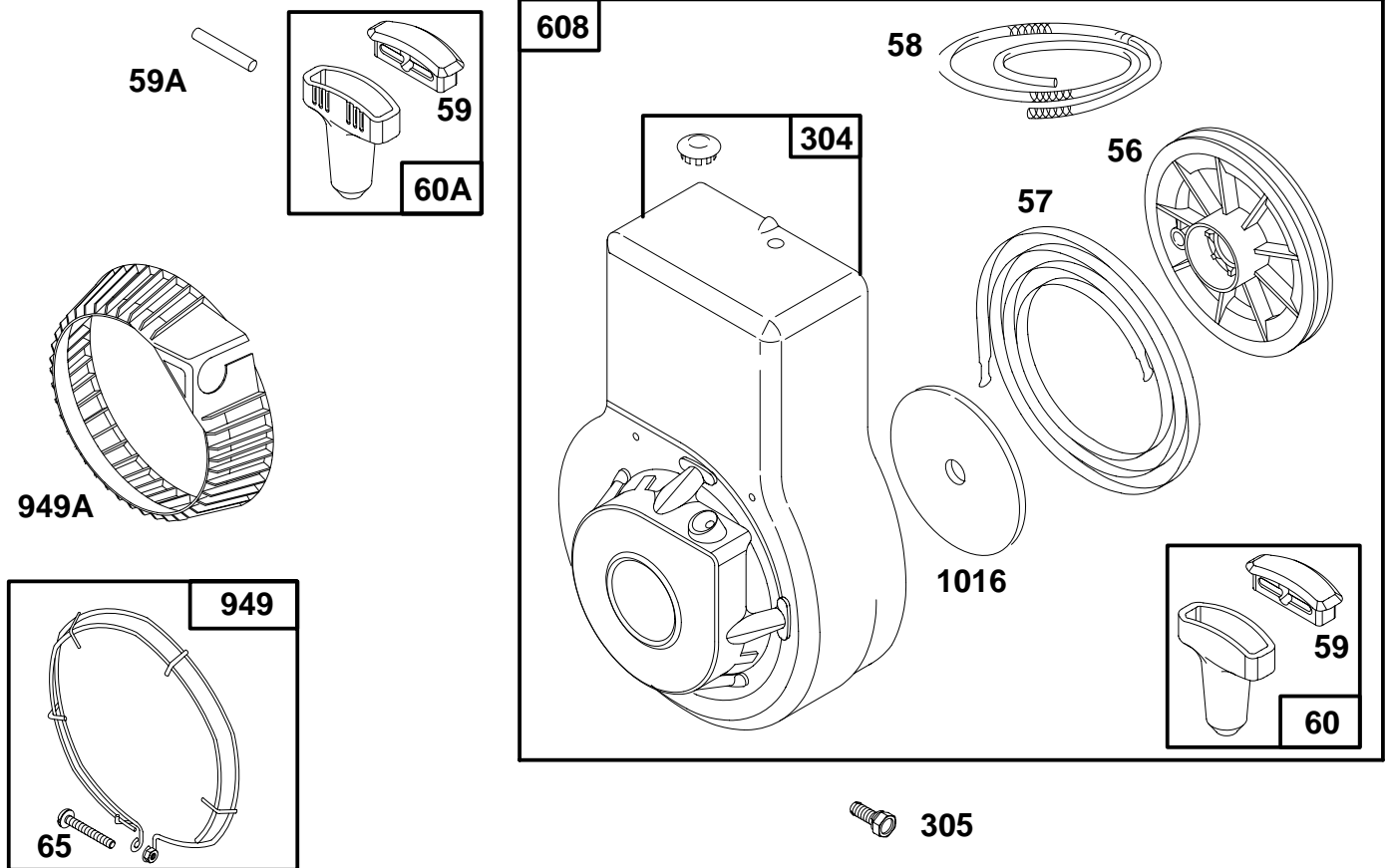
82300 to 82399



REF. NO.	PART NO.	DESCRIPTION	REF. NO.	PART NO.	DESCRIPTION	REF. NO.	PART NO.	DESCRIPTION
53A	94523	Screw—Hex Hd.	299A	392811	Muffler—Exhaust (Lo—Tone)	300	395959	Muffler—Exhaust
81A	223256	Lock—Muffler Screw			Note _____	346	93705	Screw—Sem
298	220859	Locknut—Muffler			Use(s):	613	94042	Screw—Muffler
299	493288	Muffler—Exhaust			493000 Guard—Muffler	676	393760	Deflector—Muffler
		Note _____			93606 Screw (Guard to Muffler Mtg.)	676A	397931	Deflector—Muffler
		493000 Guard—Muffler			62199 Washer (Guard to Bracket)	832	398160	Guard—Muffler
		Use(s):			93873 Screw (Guard to Bracket Mtg.)	883	★272252	Gasket—Muffler
		94186 Screw (Guard to Muffler Mtg.)			223127 Brace—Muffler Used on Type No(s). 0133.	864	492232	Adapter—Muffler
		94153 Screw (Guard to Bracket Mtg.)				981	223395	Bracket—Muffler
		223395 Brace—Muffler Used on Type No(s). 0155.				994	398067	Arrester—Spark

★ Included in Gasket Set—Part No. 495602.
 ● Included in Carburetor Kit—See Ref. 121.

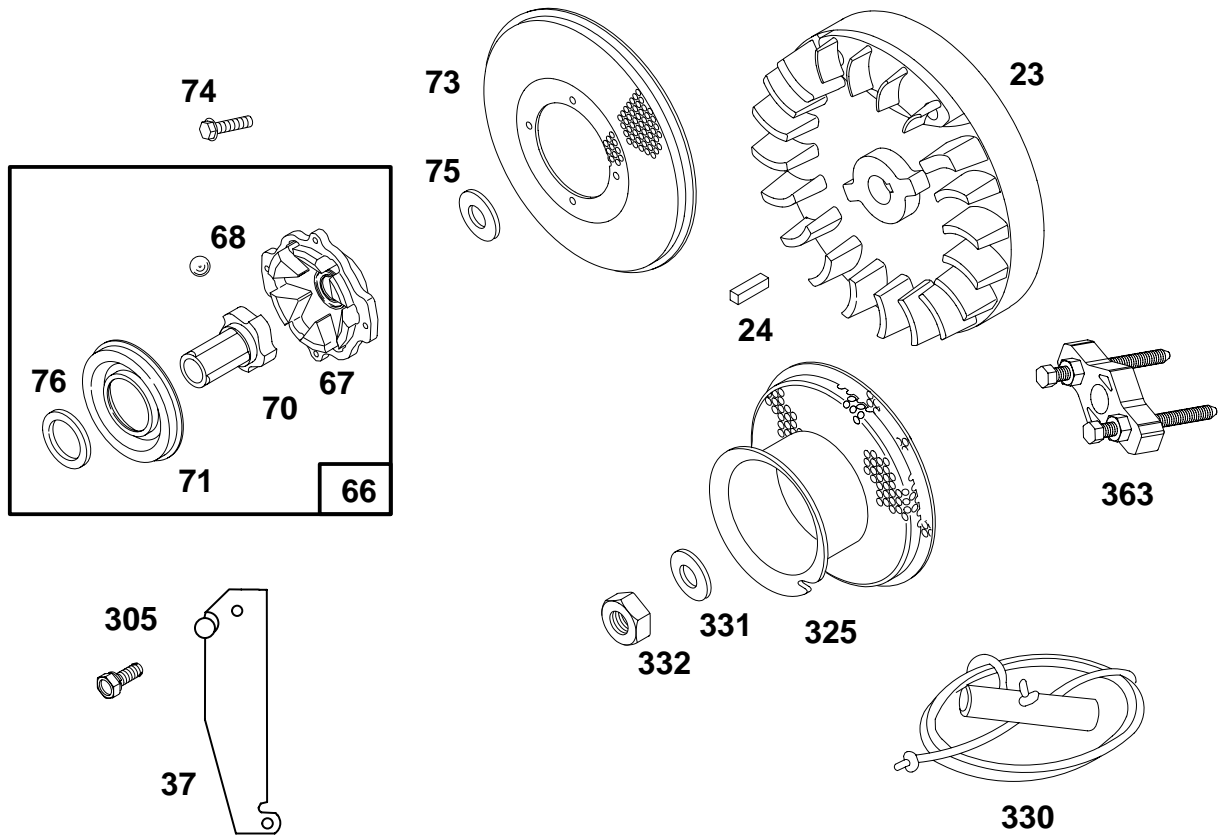
82300 to 82399



REF. NO.	PART NO.	DESCRIPTION	REF. NO.	PART NO.	DESCRIPTION	REF. NO.	PART NO.	DESCRIPTION
56	280439	Pulley—Starter		398980	Housing—Blower		492162	Starter—Rewind
57	490179	Spring—Rewind Starter		(For Rope and Rewind Starters)		(12 o'clock)		
58	66734	Rope—Starter (48–5/8")		Used on Model Series 82331 and 82351.		Used on Type No(s). 0164.		
		Note	305	93158	Screw—Sem	949	396579	Guard—Finger
		280406 Rope—Starter	608	398034	Starter—Rewind (10 o'clock)	949A	281192	Guard—Finger (Used After Code Date 91080400).
		If Longer Rope is Needed, Order and Cut to Required Length.		Note				Note
59	490653	Insert—Starter Grip		398035	Starter—Rewind (12 o'clock)			280684 Guard—Finger (Used Before Code Date 91080500).
59A	230228	Pin—Starter Grip		Used on Type No(s). 0135, 0153, 0161, 0537, 0538, 0549, 2535, 2537, 2538, 2548, 2549, 4001, 4005, 4008, 4035, 4049.		1016	490817	Spacer
60	393152	Grip—Starter Rope						
60A	490652	Grip—Starter Rope						
65	94124	Screw—Rd. Hd.						
304		Housing—Blower						
		Note						
		For Type Numbers Not Listed, See Ref. No. 608.						

★ Included in Gasket Set—Part No. 495602.
 ● Included in Carburetor Kit—See Ref. 121.

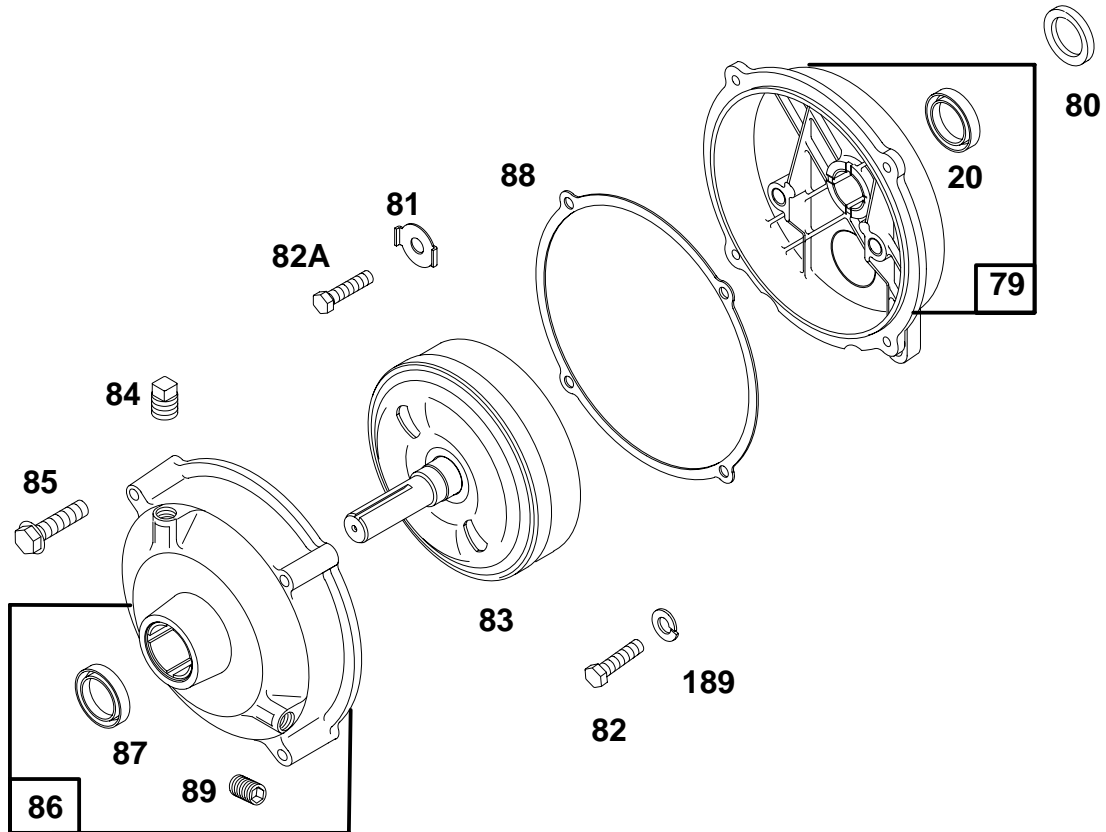
82300 to 82399



REF. NO.	PART NO.	DESCRIPTION	REF. NO.	PART NO.	DESCRIPTION	REF. NO.	PART NO.	DESCRIPTION
23	296884	Flywheel	73	221661	Screen-Rotating	330	69932	Rope-Starter
24	222698	Key-Flywheel	74	93490	Screw-Sem	331	224061	Washer-Flywheel (5/8" Hole)
37	220971	Guard-Flywheel	75	224061	Washer-Flywheel	332	92284	Nut-Flywheel (5/8-18 Right Hand Thread)
66	399671	Clutch-Starter	76	68238	Washer-Sealing	363	19069	Flywheel Puller
67	394897	Housing-Clutch	305	93158	Screw-Sem			
68	63770	Ball-Clutch	325	298731	Pulley-Starter (5/8" Hole in Pulley)			
70	298799	Ratchet-Clutch						
71	394506	Washer-Retainer						

★ Included in Gasket Set-Part No. 495602.
 ● Included in Carburetor Kit-See Ref. 121.

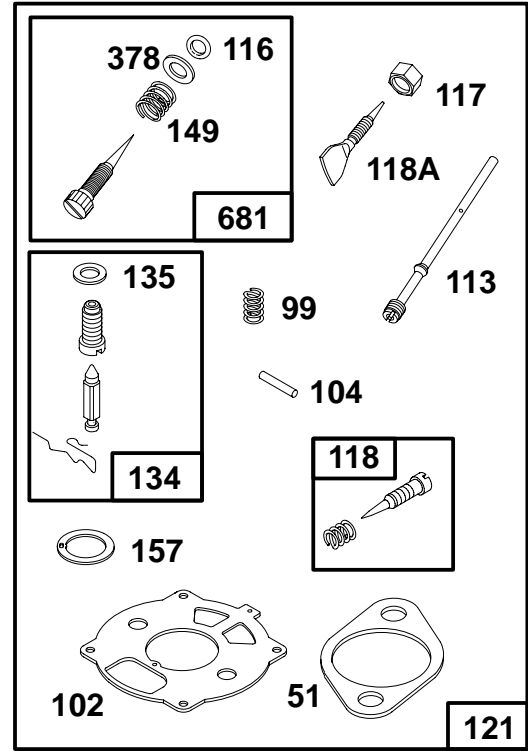
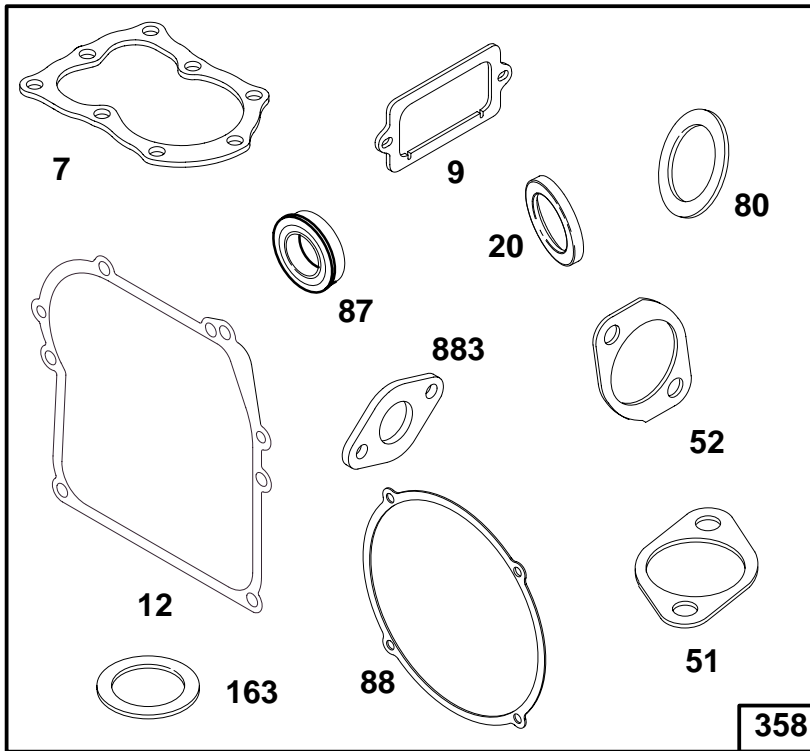
82300 to 82399



REF. NO.	PART NO.	DESCRIPTION	REF. NO.	PART NO.	DESCRIPTION	REF. NO.	PART NO.	DESCRIPTION
79	290779	Case Assy.-Gear	83	211293	Shaft Assembly-Drive	88	★27313	Gasket-Cover
80	★27667	Gasket-Gear Case	84	92617	Plug-Breather	89	93448	Plug-Oil Drain (1/4" Pipe Thread)
81	220234	Lock-Screw Hd.	85	92747	Screw-Hex. Hd.	189	90366	Washer-Lock
82	91541	Screw-Cap, Hex. Hd. (7/8" Long)	86	291730	Cover Assembly-Gear			
82A	92279	Screw-Cap, Hex. Hd. (1-1/2" Long)	87	★19011	Seal-Oil			

★ Included in Gasket Set-Part No. 495602.
 ● Included in Carburetor Kit-See Ref. 121.

82300 to 82399



REF. NO.	PART NO.	DESCRIPTION	REF. NO.	PART NO.	DESCRIPTION	REF. NO.	PART NO.	DESCRIPTION
7	★272167	Gasket-Cylinder Head Note 272167 Cylinder Head Gaskets (2) Used on Type No(s). 0132, 0141, 0142, 0526, 0529, 0531.	102	●27917	Gasket-Carb. Body	121	398992	Carburetor Kit (Used After Code Date 85120500). Note 291691 Carburetor Kit (Used Before Code Date 85120600).
9	★27549	Gasket-Breather	104	●23114	Pin-Float Hinge	134	●293478	Valve-Needle
12	★270833	Gasket-Crankcase (.015" Thick, Standard) ★270895 Gasket-Crankcase (.005" Thick) ★270896 Gasket-Crankcase (.009" Thick) (Hex. Socket Hd.)	113	●231359	Nozzle-Carburetor (Used After Code Date 85120500). Note ●23222 Nozzle-Carb. (Used Before Code Date 85120600).	135	●68877	Gasket-Fuel Inlet Valve Seat
20	★299819	Seal-Oil	114	●68887	Packing-Valve (Used Before Code Date 85120600).	149	261357	Spring-Needle Valve (Used After Code Date 85120500).
51	★●68987	Gasket-Carb. Mtg.	116	280203	Packing-Valve (Used After Code Date 85120500).	157	●27840	Gasket-Venturi
52	★27355	Gasket-Intake	117	●23227	Nut-Packing (Used Before Code Date 85120600).	358	495602	Gasket Set
80	★27667	Gasket-Gear Case	118	●292681	Valve-Idle Adjustment	378	●22032	Washer
87	★19011	Seal-Oil	118A	●230005	Valve-Needle (Used Before Code Date 85120600).	681	●399619	Valve-Needle Note 292088 Valve-Needle Used on Type No(s). 0132, 0141, 0142, 0156, 0157, 0158, 0163, 0526, 0529, 0531, 2538.
88	★27313	Gasket-Cover				883	★272252	Gasket-Muffler
99	●26157	Spring-Idle Valve						

★ Included in Gasket Set-Part No. 495602.
● Included in Carburetor Kit-See Ref. 121.

82300 to 82399

REF. NO.	PART NO.	DESCRIPTION	REF. NO.	PART NO.	DESCRIPTION	REF. NO.	PART NO.	DESCRIPTION
7	★272167	Gasket–Cylinder Head Note 272167 Cylinder Head Gaskets (2) Used on Type No(s). 0132, 0141, 0142, 0526, 0529, 0531.			495211 Crankshaft (Used After Code Date 93071800). 493633 Crankshaft (Used Before Code Date 93071900). Used on Type No(s). 0111, 0133, 0137, 0146, 0150, 0153, 0155, 0156, 0161, 0162, 0164, 0165, 0528, 0529, 0537, 2528, 2537, 2538, 4001, 4005, 4008, 4037.	33	262986	Valve–Exhaust (Used After Code Date 93112100). 262580 Valve–Exhaust (Cobalite™) (Used Before Code Date 93112200 and After Code Date 90051300). 296676 Valve–Exhaust (With Hole in Stem) (Used Before Code Date 90051400). Note 296676 Valve–Exhaust Used on Type No(s). 0137, 0147, 0149, 0150, 0151, 0153, 0154, 0155, 0156, 0157, 0158, 0159, 4006, 4007, 4008, 4037.
12	★270833	Gasket–Crankcase (.015" Thick, Standard) ★270895 Gasket–Crankcase (.005" Thick) ★270896 Gasket–Crankcase (.009" Thick) (Hex. Socket Hd.)	17	495484	Bearing–Ball (Used After Code Date 93071800). Note 99158 Bearing–Ball (Used Before Code Date 93071900).	36	260552	Spring–Valve (Exhaust) (Used After Code Date 93112100). 262750 Spring–Valve (Exhaust) (Used Before Code Date 93112200 and After Code Date 90051300). Note 26826 Spring–Valve (Used Before Code Date 90051400).
16	495210	Crankshaft (Used After Code Date 93071800). 492095 Crankshaft (Used Before Code Date 93071900). Note To Replace Crankshaft Gear Pin– Order Part No. 230978 . 397252 Crankshaft Used on Type No(s). 0148, 0151, 0154, 0157, 0158, 0163, 0530, 0531, 4002, 4006. 397256 Crankshaft Used on Type No(s). 0139, 0532. 493599 Used on Type No(s). 0126, 0131, 0134, 0136, 0138, 0548, 0549, 2547, 2548, 2549, 4049. 493619 Crankshaft Used on Type No(s). 0139, 0538. 493767 Crankshaft (Used After Code Date 93071800). 493849 Crankshaft (Used Before Code Date 93071900). Used on Type No(s). 0135, 2535, 4035. 494033 Crankshaft Type No(s) 0144.	19	293708	Bushing Include(s): 220538 Bushing Note Bushings Require Special Tools For Installation. Note 294499 Bushing Include(s): 220538 Bushing Used on Model Series 82351 and 82352 .	41	491442	Retainer–Valve (Used Before Code Date 93112200 and After Code Date 90051300). 292259 Retainer–Valve (Used Before Code Date 90051400). Note 93312 Retainer–Valve Used on Type No(s). 0137, 0147, 0149, 0150, 0151, 0153, 0154, 0155, 0156, 0157, 0158, 0159, 0160, 0162, 0163, 0164, 0165, 2016, 2538, 4003, 4005, 4006, 4007, 4008, 4037.
			20	★299819	Seal–Oil Note 392838 Seal–Oil Used on Model Series 82351 and 82352 . 393812 Seal–Oil (Used Before Code Date 93071800). ★495355 Seal–Oil (Used After Code Date 93071900).			
			26	295657	Ring Set (Standard) 297201 Ring Set (Chrome Standard) 295658 Ring Set (.010" O.S.) 295659 Ring Set (.020" O.S.) 295660 Ring Set (.030" O.S.)			

★ Included in Gasket Set–Part No. 495602.
 ● Included in Carburetor Kit–See Ref. 121.

82300 to 82399

REF. NO.	PART NO.	DESCRIPTION	REF. NO.	PART NO.	DESCRIPTION	REF. NO.	PART NO.	DESCRIPTION
337	298809	Plug-Spark (1-1/2" High, 38 mm) Note 492167 Plug-Spark (1-7/8" High, 49 mm) 802592 Plug-Spark (1-7/8" High, 49 mm) (Resistor Type)	681	●399619	Valve-Needle Note 292088 Valve-Needle Used on Type No(s). 0132, 0141, 0142, 0156, 0157, 0158, 0163, 0526, 0529, 0531, 2538.	869	211172	Seat-Valve (Intake) (Used After Code Date 88073100). Note 210879 Seat-Valve (Intake) (Used Before Code Date 88080100).
			741	261721	Gear-Timing Note 261533 Gear-Timing Used on Model Series 82331, 82332, 82351 and 82352.			

★ Included in Gasket Set-Part No. 495602.
● Included in Carburetor Kit-See Ref. 121.