

81400 to 81499

Illustrated Parts List

Model Series 81400 to 81499

TYPE NUMBERS
8111, 8130, 8300,
8573

TO FIND

THE CORRECT NUMBER OF THE PART YOU NEED:

FOLLOW THE INSTRUCTIONS BELOW

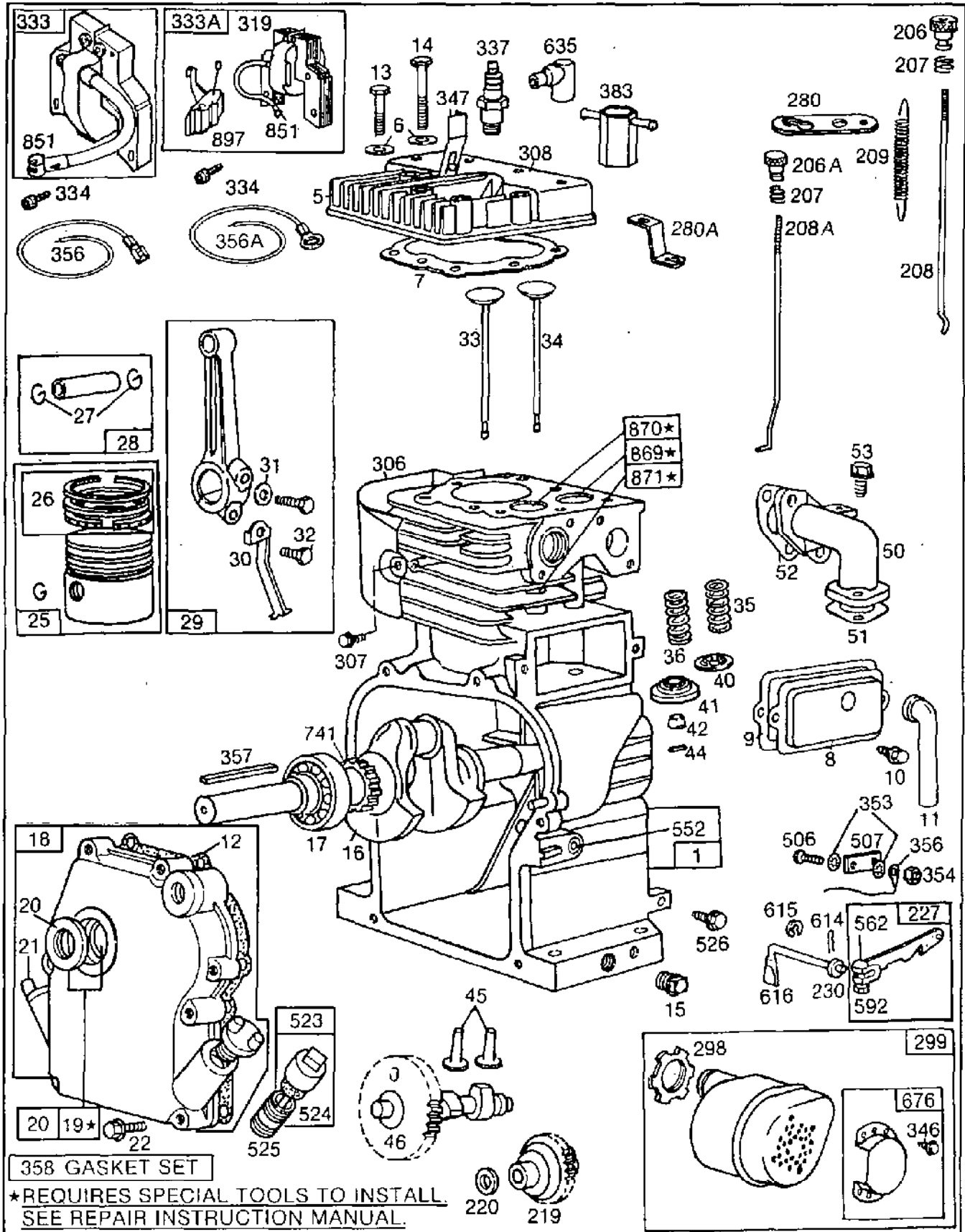
- A. Refer to Engine Model, Type and Code Number that is stamped on the blower housing of engine. Engine type numbers such as 012301 are listed herein only as 0123. The two digits (01 or 02, etc.) to the right of the space are not needed for parts identification. Then use the Illustrated Parts List covering the Model Series.
- B. Refer to Illustrated Parts section and compare the old part with illustration. The number on the illustration is the Reference Number. Assemblies include all parts shown in frames. All parts shown in assembly frames on which individual reference numbers are given can be purchased separately.
- C. After the Reference Number has been identified, refer to the Numerical Parts List, where Reference and Master Part Number are listed. **THE MASTER PART IS USED ON ALL TYPE NUMBERS EXCEPT THOSE TYPE NUMBERS UNDER "NOTE"**.
- D. If a "Note" appears below the Master Part Number, this means that this part differs from the Master Part for certain types. If the Type number is listed under "Note", order the part referred to.
- E. If the Engine Type Number does not appear after any part number listed under "Note", use the Master Part Number.
- F. For Type Numbers higher than those covered by this book, please refer to the factory if you are unable to identify the part by comparison.

PRINTED IN U.S.A.



COPYRIGHT ©

81400 to 81499

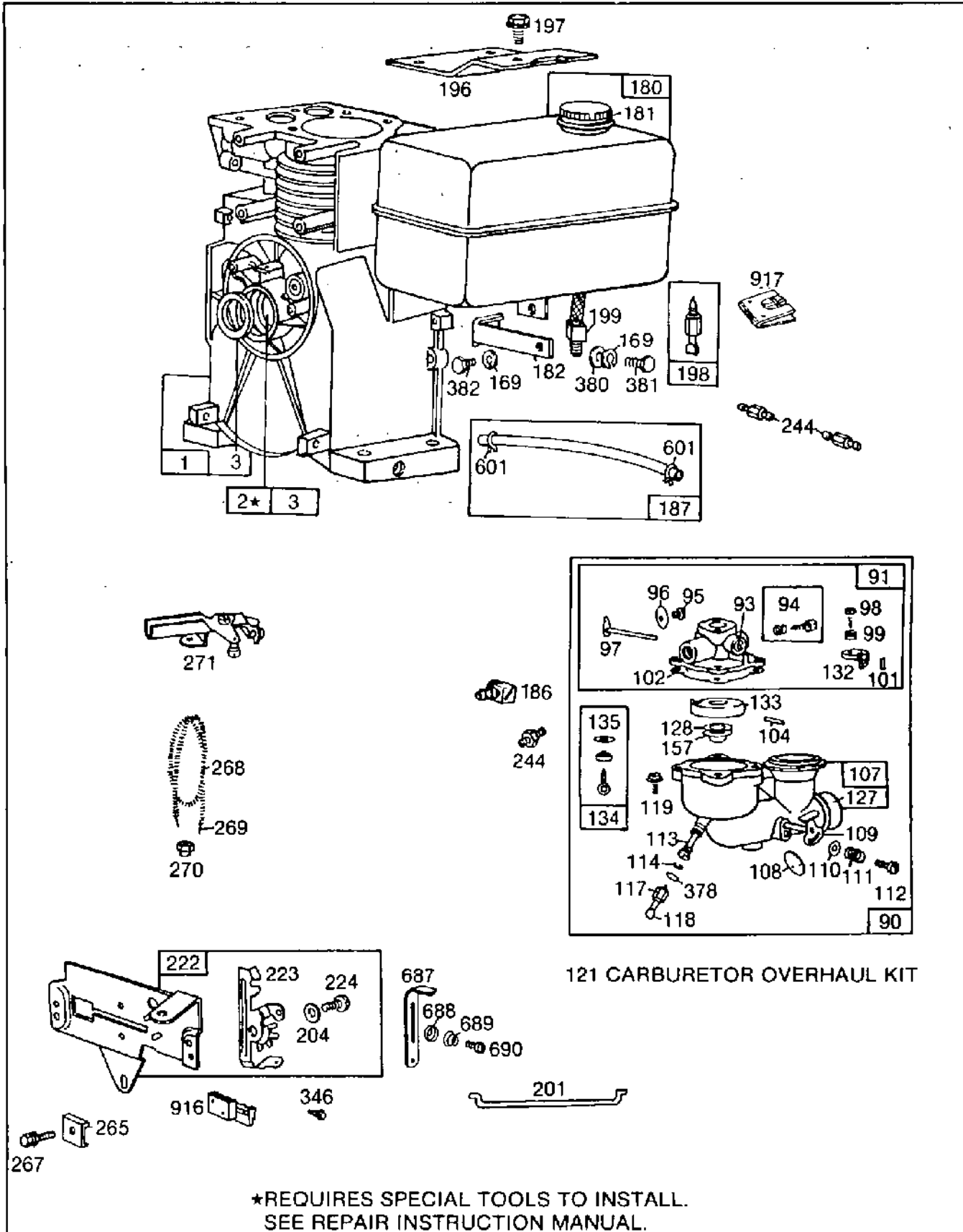


8620-1

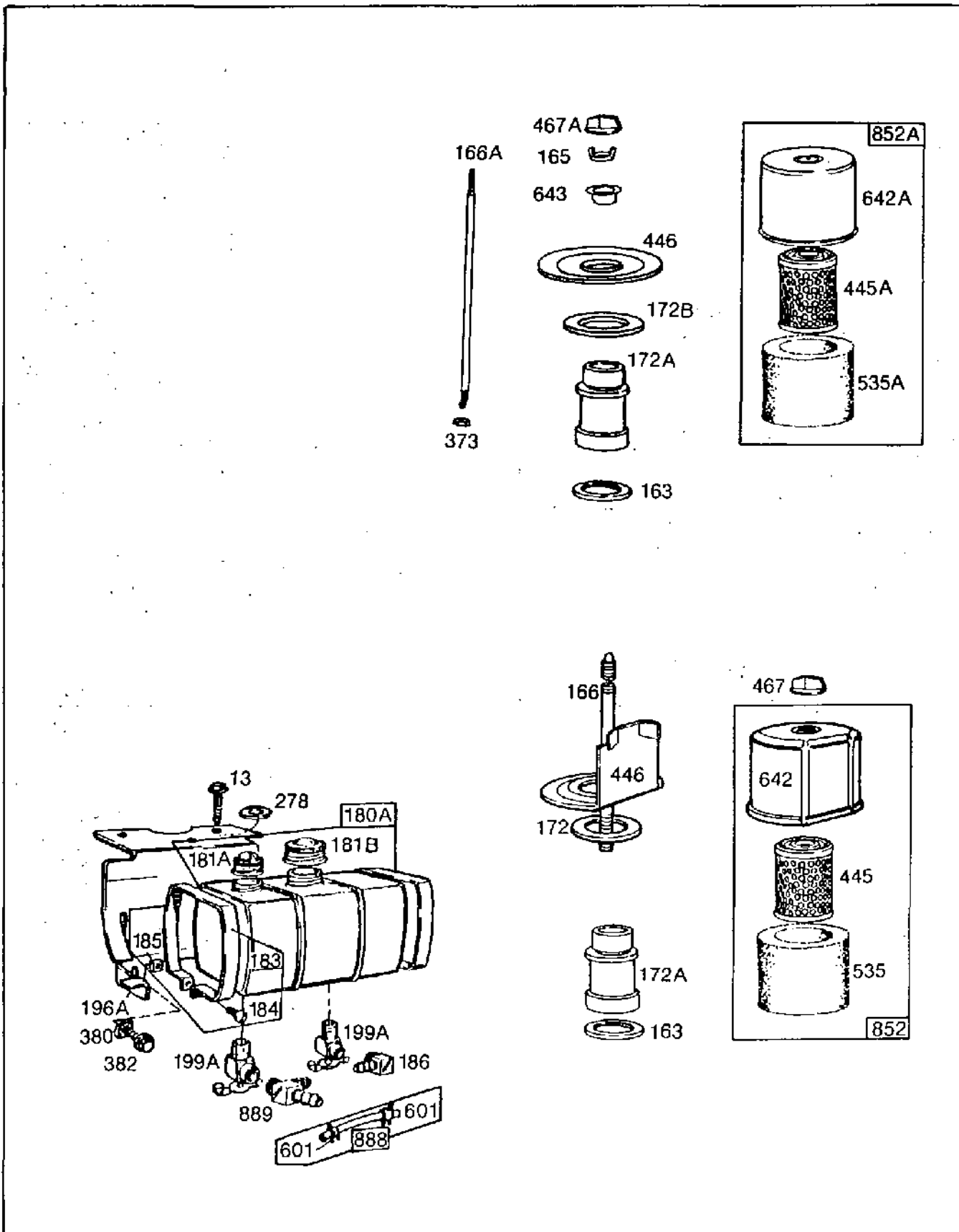
Assemblies include all parts shown in frames.

25

81400 to 81499



81400 to 81499

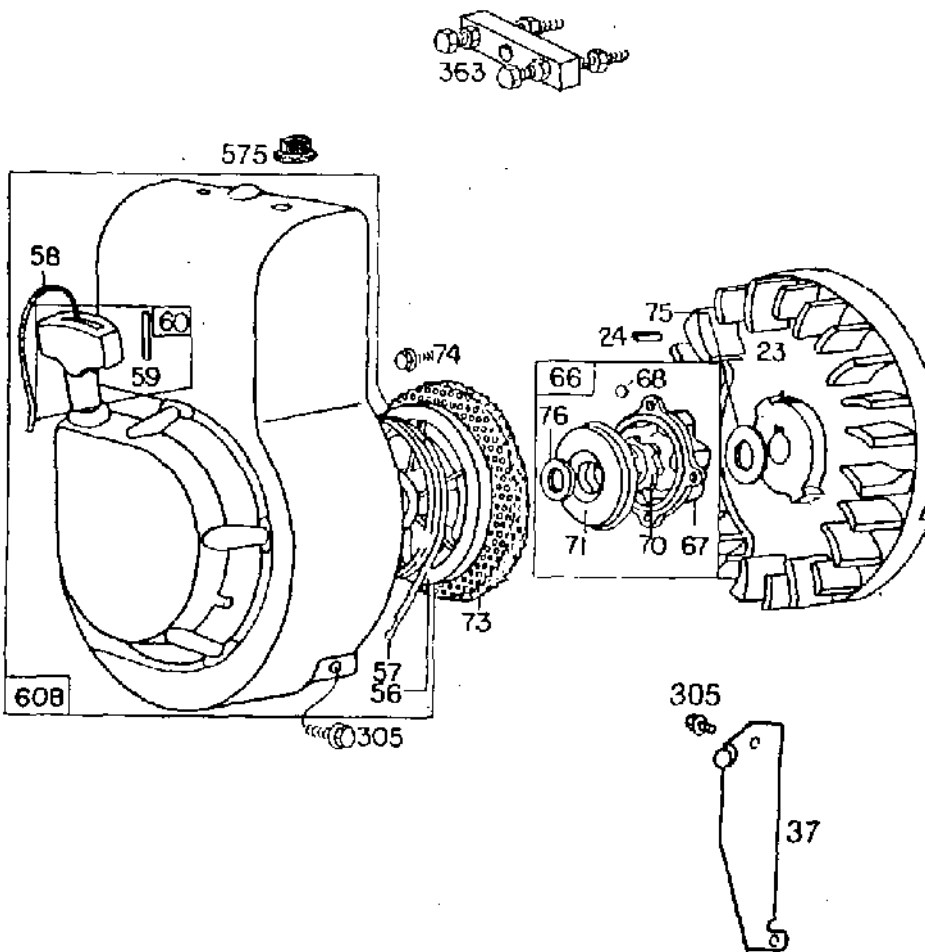


8620-3

Assemblies include all parts shown in frames.

25

81400 to 81499



81400 to 81499

REF. NO.	PART NO.	DESCRIPTION	REF. NO.	PART NO.	DESCRIPTION	REF. NO.	PART NO.	DESCRIPTION
1	395567	Cylinder Assembly		295457	Piston Assembly— .020" O.S.	51	*†68987	Gasket—Carburetor Mounting
2	231271	Bushing—Cylinder Note: Requires special tools for installation.		295458	Piston Assembly— .030" O.S.	52	*27355	Gasket—Intake Elbow Mounting
3	299819	Seal—Oil				53	93357	Screw—Carburetor and Intake Elbow Mounting
5	210812	Head—Cylinder Note: 210623 Head—Cylinder Used on Type No. 8130.	MODEL 81400 SERIES RING SETS:			56	280439	Pulley—Rewind Starter
6	22963	Washer—Plain				57	294303	Spring—Rewind Starter
7	*27670	Gasket—Cylinder Head	26	295657	Ring Set—Std. Piston	58	280406	Rope—Rewind Starter— 81" long Note: If longer rope is needed, Order No. 66684 and cut to required length.
8	294178	Breather—Valve Chamber		295658	Ring Set—.010" O.S. Piston	59	230228	Pin—Starter Rope
9	*27549	Gasket—Valve Cover		295659	Ring Set—.020" O.S. Piston	60	393152	Grip—Starter Rope
10	93394	Screw—Breather Mounting Sem		295660	Ring Set—.030" O.S. Piston	66	394558	Clutch Assembly— Rewind Starter
11	271489	Tube—Breather	27	26026	Lock—Piston Pin	67	394897	Housing—Starter Clutch
12	*270833	Gasket—Crankcase— .015" thick (Standard)	28	298909	Pin Assembly— Piston—Standard	68	63770	Ball—Clutch
	*270895	Gasket—Crankcase— .005" thick		298908	Pin Assembly— Piston—.005" O.S.	70	298436	Ratchet—Rewind Starter
	*270896	Gasket—Crankcase— .009" thick	29	294367	Rod Assembly— Connecting Note: For Connecting Rod with .020" Undersize Crankpin Bore—Order No. 296079.	71	221653	Washer—Clutch Retainer
13	91386	Screw—Cylinder Head (2" long)	30	220670	Dipper—Connecting Rod	73	221661	Screen—Starter Pulley
14	93113	Screw—Cylinder Head (2-5/16" long)	31	222282	Washer—Connecting Rod (Opposite Dipper)	74	93490	Screw—Sem
15	91249	Plug—Pipe, 1/4" Std., Square Head To Replace Crankshaft Gear Pin, Order Part No. 230978.	32	92296	Screw—Connecting Rod	75	220865	Washer—Spring
			33	260443	Valve—Exhaust (Cobalite®) (with Hole in Stem)	76	68238	Washer—Ratchet Sealing
16	397250	Crankshaft Group Note: 397251 Crankshaft Group Used on Type No. 8130.	34	296677	Valve—Intake (Grooved Stem— Includes Retainer No. 93312)	90	395395	Carburetor Assembly Note: 398096 Carburetor Assy. (Kerosene) Used on Type No. 8130.
17	99158	Bearing—Ball	35	260552	Spring—Intake Valve	91	393978	Housing Assembly— Throttle
18	395259	Cover Assembly— Crankcase Used on Model Series 81432.	36	26826	Spring—Exhaust Valve	93	23230	Bushing—Throttle Shaft
20	393812	Seal—Oil	37	220971	Guard—Flywheel	94	†292681	Valve Assembly— Carburetor Idle
21	66768	Plug—Oil Filler	40	93312	Retainer—Valve Spring Used with Valves with groove in stem.	95	93499	Screw—Throttle Valve Mounting Sem
22	93032	Screw—Crankcase Cover Mtg. Sem	41	292259	Rotacap—Exhaust Valve	96	222972	Valve—Throttle
23	296884	Flywheel—Magneto	42	230127	Retainer—Exhaust Valve Rotacap	97	393827	Shaft and Lever— Throttle
24	222698	Key—Flywheel (For MAGNETRON® Ignition)	44	230126	Pin—Exhaust Valve Rotacap Retainer	98	91920	Screw—Machine, Fill. Hd.— 8-32 x 5/8"
25	295455	Piston Assembly—Std.	45	230173	Tappet—Valve	99	†26157	Spring—Throttle Adjustment
	295456	Piston Assembly— .010" O.S.	46	394800	Gear—Cam	101	93043	Pin—Throttle Stop and Governor Shaft
			50	210810	Elbow—Intake	102	†27917	Gasket—Carburetor Body
						104	†23114	Pin—Float Hinge

*Included in Gasket Set.
Part No. 297275.

†Included in Carburetor Overhaul
Kit—Part No. 291691.

81400 to 81499

REF. NO.	PART NO.	DESCRIPTION	REF. NO.	PART NO.	DESCRIPTION	REF. NO.	PART NO.	DESCRIPTION
107	295617	Body Assembly—Carburetor	186	67218	Elbow, 90° (Flexible Fuel Line)	269	26099	Wire—Control—54" long
108	220897	Valve—Choke	187	394045	Line—Fuel (Flexible) (For Kerosene Line, cut to 9-1/4" long)		Note:	If a longer wire is needed, specify length in inches; if shorter wire is needed, order No. 26099 and cut to required length.
109	294874	Shaft and Lever Assembly—Choke	196	220369	Support—Fuel Tank	270	63426	Locknut—Control Wire Casing
110	220899	Washer—Choke Lever	196A	222759	Support—Fuel Tank (Kerosene—Gasoline)	271	290568	Lever Assembly—Control
111	26229	Spring—Choke Lever	197	93158	Screw—Tank Mtg. Sem	278	220863	Washer (Between Support and Cylinder Head)
112	23270	Screw—Choke Lever	198	293934	Valve Assembly—Fuel Shut Off	280	223236	Guide Bar—Control Rod
113	†23222	Nozzle—Carburetor	199	295896	Outlet—Fuel Tank (Includes Strainer) (for Flexible Fuel Pipe)	298	220859	Locknut—Muffler and Exhaust Elbow
114	†68887	Packing—Needle Valve	199A	392882	Valve—Shut Off (Kerosene—Gasoline)	299	392811	Muffler—Exhaust
117	†23227	Nut—Needle Valve Packing	200	297309	Blade—Governor	305	93158	Screw—Blower Housing and Flywheel Guard Mounting
118	†230005	Valve—Needle	201	261654	Link—Governor	306	220478	Shield—Cylinder
	Note:	292088 Valve -- Needle (Kerosene) Used on Type No. 8130.	204	222962	Bushing—Governor Lever	307	93490	Screw—Cylinder Shield Mounting Sem
119	93347	Screw—Sem	206	231266	Nut—Control Rod	308	223390	Cover—Cylinder Head
121	291691	Carburetor Overhaul Kit	206A	230149	Nut—Control Rod	319	395488	Armature Assembly (Less Trigger Coil)
127	220352	Plug—Welch	207	26855	Spring—Control Rod	333	397316	Armature Assembly
128	210811	Venturi—Carburetor	208	261990	Rod—Control	333A	395489	Armature Group (MAGNETRON® Ignition)
132	212904	Stop—Throttle Lever	208A	231211	Rod—Control	334	93381	Screw—Armature Mounting Sem
133	293477	Float—Carburetor	209	261130	Spring—Governor	337	298809	Plug—Spark (1-1/2" High—37-42 M.M.)
134	†293478	Valve and Seat—Fuel Inlet	219	391737	Governor and Gear Assembly		Note:	29693 Plug—Spark (2" High—51 M.M.)
135	68877	Gasket—Fuel Inlet Valve Seat	220	221551	Washer—Thrust (.030" thick)			293918 Plug—Spark (1-1/2" High—37-42 M.M.) (Resistor Type)
157	27840	Gasket—Venturi	221	230177	Cup—Governor	346	93705	Screw—Mounting Sem
163	271042	Gasket—Air Cleaner Mounting	222	395380	Bracket—Governor Control	347	220884	Switch—Stop (For 1-1/2" High—37-42 M.M. Spark Plug)
165	93856	Nut—Wing	223	223097	Lever—Governor Control	353	92791	Washer—Lock—Shakeproof
166	231314	Stud—Air Cleaner	224	93491	Rivet	354	90576	Nut—Hex.—8-32
166A	231177	Stud—Air Cleaner	227	394541	Lever Assembly—Governor	355	398874	Wire—Ground Used with Armature Ref. 333 Only
169	90832	Washer—Lock—1/4 x 3/32 x 5/64"	230	222450	Washer—Spacer			
171	92129	Nut—Hex.—1/4-28	244	230318	Connector—Flexible Fuel Pipe			
172	271139	Gasket—Air Cleaner	265	221535	Clamp—Casing			
172A	280213	Spacer—Air Cleaner	266	290062	Control—Throttle			
172B	271077	Gasket—Air Cleaner	267	93496	Screw—Hex. Hd.			
180	292945	Tank Assembly—Fuel (3 Quart)	268	66986	Casing—Control Wire—48" long			
180A	392911	Tank Assembly—Fuel (3 Quart) (Kerosene—Gasoline)		Note:	If a longer casing is needed, specify length in inches; if a shorter casing is needed, order No. 66986 and cut to required length.			
181	393156	Cap—Fuel Tank						
181A	392886	Cap—Fuel Tank (Small) (Kerosene—Gasoline)						
181B	392887	Cap—Fuel Tank (Large) (Kerosene—Gasoline)						
182	220195	Bracket—Fuel Tank						
183	393131	Strap Assembly						
184	91257	Screw—Fill. Hd.						
185	90970	Nut—Square						

†Included in Carburetor Overhaul Kit—Part No. 291691.

81400 to 81499

REF. NO.	PART NO.	DESCRIPTION	REF. NO.	PART NO.	DESCRIPTION	REF. NO.	PART NO.	DESCRIPTION
356A	391115	Wire—Ground Used with Armature Ref. 333A Only	526	93343	Screw—Tank Bracket Mtg. Sem	643	222845	Cup—Air Cleaner
357	91539	Key—3/16" Square	535	271456	Element—Air Cleaner	665	298858	Oil Minder
358	297275	Gasket Set	535A	270979	Element—Air Cleaner	676	393760	Deflector—Exhaust
363	19069	Puller—Flywheel (Optional Accessory)	552	231079	Bushing—Governor Shaft	741	261721	Gear—Timing
373	92987	Nut—Hex.	562	92613	Bolt—Governor Lever	851	221798	Terminal—Ignition Cable
37B	†22032	Washer—Needle Valve Packing	575	396691	Stop Switch—Rotary	852	396397	Air Cleaner Group
380	62199	Washer—Plain	592	231082	Nut—Hex—10-24	852A	392368	Air Cleaner Group
381	93294	Screw—Sem	601	93053	Clip—Fuel Pipe (2)	869	210879	Seal—Intake Valve (Standard)
382	93158	Screw—Sem	608	294259	Starter Assembly— Rewind (10 o'clock)	870	211291	Seal—Exhaust Valve (Standard)
383	89838	Wrench—Spark Plug		Note: 294337	Starter Assy.— Rewind (12 o'clock)	871	262001	Guide—Exhaust Valve (Sintered)
445	396424	Cartridge—Air Cleaner			Used on Type No. 8130.		Note: 63709	Guide—Intake Valve (Replacement Only) (Brass)
445A	392308	Cartridge—Air Cleaner			398034 Starter Assy.— Rewind (10 o'clock)	888	393891	Line—Fuel (Flexible) (Short) (Kerosene—Gasoline)
446	395642	Base—Air Cleaner			Used on Type No. 8300.	889	93915	Tee (Kerosene—Gasoline)
446A	222844	Base—Air Cleaner	614	93306	Cotter—Hair Pin	897	394970	Trigger Coil— MAGNETRON® Ignition
467	212706	Knob—Air Cleaner	615	93307	Retainer—E-Ring	916	280321	Gear Rack—Governor
467A	212293	Knob—Air Cleaner	616	231077	Crank—Governor	917	223271	Valve Handle— Shut-Off
506	90200	Screw—Machine, Fill. Hd.—8-32 x 1/2"	635	68538	Elbow—Spark Plug			
507	66895	Insulator—Terminal	642	223306	Cover—Air Cleaner			
523	297357	Cap—Oil Filler (with Dipstick)	642A	222626	Cover—Air Cleaner			
524	65304	Gasket—Oil Filler Cap						
525	91258	Nipple Oil Filler (2-1/2" Long)						
		Note: Use 394884 Adaptor— Oil Filler with Nipple						

†Included in Carburetor Overhaul
Kit—Part No. 291691.