

80600, 81600
80800, 81800

Illustrated Parts List

MODEL SERIES

80600 81600
80800 81800

HOW TO FIND THE CORRECT NUMBER OF THE PART YOU NEED

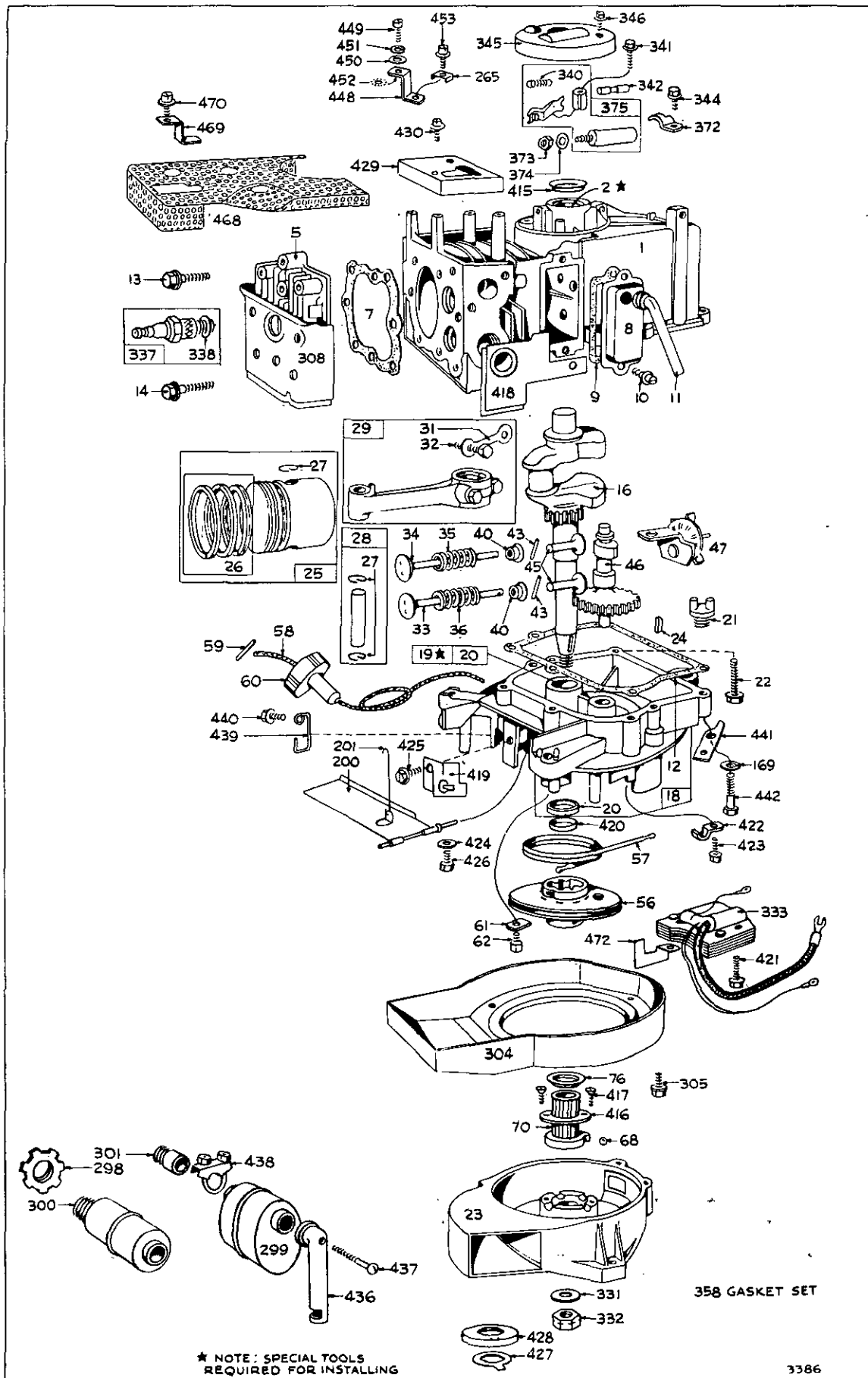
These instructions are to be followed when using the Parts Lists to determine the correct part for an engine.

- A. Refer to Engine Model, Type and Serial Number that is stamped on the blower housing or name plate of engine to be sure that the parts list covers the engine to be repaired.
- B. Refer to Illustrated Parts section and compare the old part with illustrations. The number on the illustrations is the Reference Number. Assemblies include all parts shown in frames. All parts shown in assembly frames on which reference numbers are given can be purchased separately.
- C. After the Reference Number has been identified, refer to the Numerical Parts List, where Master Part Numbers are listed. **THE MASTER PART IS USED ON ALL MODEL OR TYPE NUMBERS EXCEPT THOSE MODEL OR TYPE NUMBERS UNDER "NOTE."**
- D. If a "Note" appears below the Master Part Number, this means that this part differs from the Master Part for certain model types. If the Model or Type Number of the engine being repaired is listed under "Note," order the part referred to.
- E. If the Engine Model or Type Number does not appear after any part number listed under "Note," use the Master Part Number.

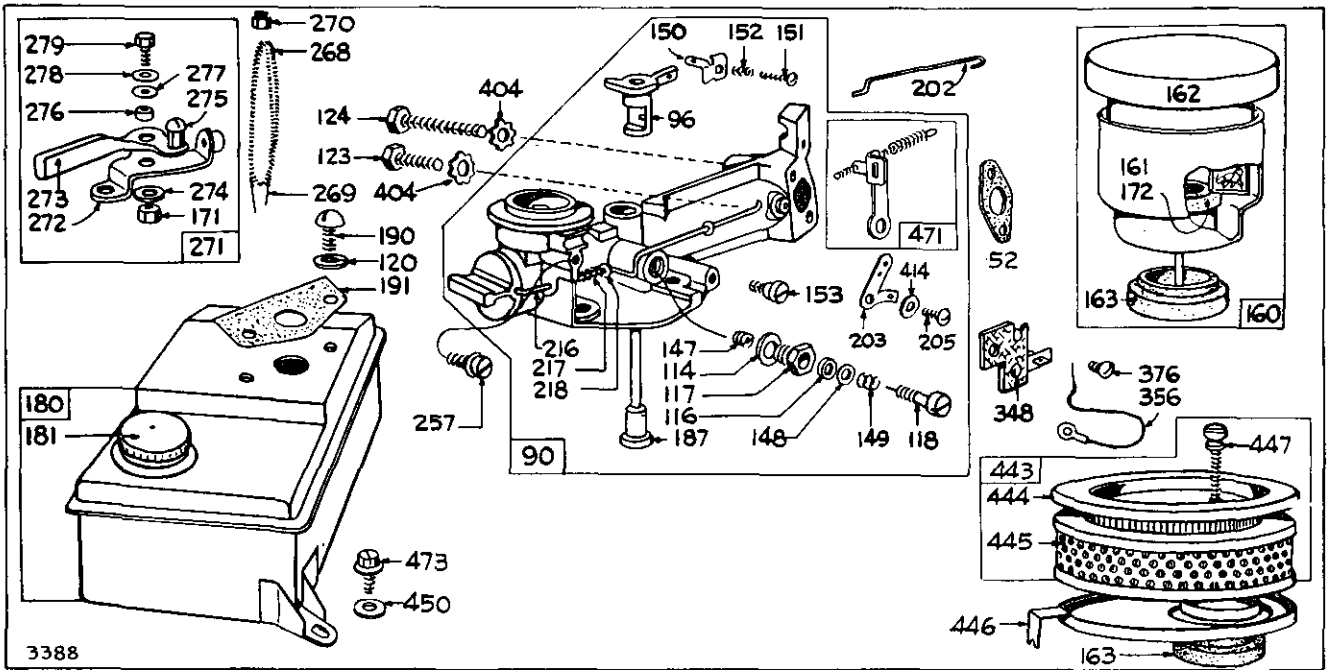
An operating manual — Form 27854 — for customer's use is available.

PRINTED IN U. S. A.



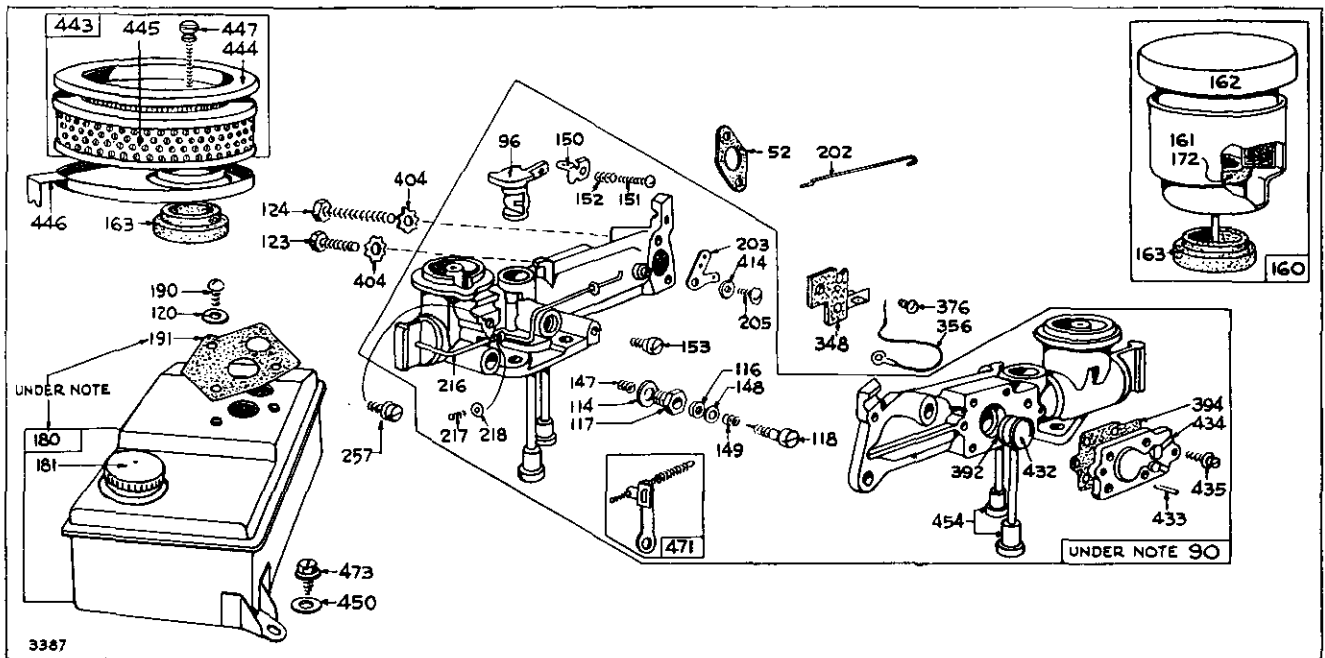


Assemblies include all parts shown in frames.



MODEL SERIES 80600 AND 81600 FUEL SYSTEM PARTS

Assemblies include all parts shown in frames.



MODEL SERIES 80800 AND 81800 FUEL SYSTEM PARTS

Assemblies include all parts shown in frames.

REF. PART NO.	NO.	DESCRIPTION	REF. PART NO.	NO.	DESCRIPTION	REF. PART NO.	NO.	DESCRIPTION
1	295450	Cylinder Assembly (Used on Model 80600 and 80800 Series)						
	Note:	295486 Cylinder Assembly Used on Model 81600 and 81800 Series.						
2	220538	Bushing-Cylinder						
	Note:	Requires special tools for installation.						
5	210475	Head-Cylinder						
	Note:	210812 Head-Cylinder Used on Model 80800 and 81800 Series.						
7	*27670	Gasket-Cylinder Head						
8	292833	Breather-Valve Chamber						
9	*27549	Gasket-Valve Cover						
10	92870	Screw-Breather Mtg. Sem						
11	66638	Tube-Breather						
12	*27586	Gasket-Crankcase-.015" thick (Standard)						
	*27617	Gasket-Crkcase-.005" thick						
	*27618	Gasket-Crkcase-.009" thick						
13	93111	Screw-Cylinder Head (1-15/16" long)						
14	93113	Screw-Cylinder Head (2-5/16" long)						
16	260450	Crankshaft						
18	296170	Sump-Oil						
19	293709	Bushing-Oil Sump						
	Note:	Requires special tools for installation.						
20	291841	Seal-Oil						
21	66768	Plug-Oil Filler						
22	93032	Screw-Sump Mtg. Sem						
23	296169	Flywheel-Magneto						
24	61700	Key-Flywheel						
25	295587	Piston Assy.-Standard Used on Model 80600 and 80800 Series.						
	Note:	295455 Piston Assy.-Standard Used on Model 81600 and 81800 Series.						
	295588	Piston Assy.-.010" O.S. Used on Model 80600 and 80800 Series.						
	Note:	295456 Piston Assy.-.010" O.S. Used on Model 81600 and 81800 Series.						
	295589	Piston Assy.-.020" O.S. Used on Model 80600 and 80800 Series.						
	Note:	295457 Piston Assy.-.020" O.S. Used on Model 81600 and 81800 Series.						
	295590	Piston Assy.-.030" O.S. Used on Model 80600 and 80800 Series.						
	Note:	295458 Piston Assy.-.030" O.S. Used on Model 81600 and 81800 Series.						
	MODEL 80600, 80800 SERIES RING SETS:							
26	294232	Ring Set-Standard Piston						
	210471	Ring, Piston, Comp., Top						
	210472	Ring, Piston, Comp., Center						
	210473	Ring, Piston, Oil						
	294224	Ring Set-.010" O.S. Piston						
	210490	Ring, Piston, Comp., Top						
	210489	Ring, Piston, Comp., Center						
	210491	Ring, Piston, Oil						
	294225	Ring Set-.020" O.S. Piston						
	210493	Ring, Piston, Comp., Top, .020" O.S.						
	210492	Ring, Piston, Comp., Center, .020" O.S.						
	210494	Ring, Piston, Oil, .020" O.S.						
	294226	Ring Set-.030" O.S. Piston						
	210496	Ring, Piston, Comp., Top, .030" O.S.						
	210495	Ring, Piston, Comp., Center, .030" O.S.						
	210497	Ring, Piston, Oil, .030" O.S.						
	MODEL 81600, 81800 SERIES RING SETS:							
	295657	Ring Set-Standard Piston						
	210796	Ring, Piston, Comp., Top, Standard						
	210797	Ring, Piston, Comp., Center, Standard						
	295661	Ring, Oil (w/expander) Standard						
	295658	Ring Set-.010" O.S. Piston						
	210799	Ring, Piston, Comp., Top, .010" O.S.						
	210798	Ring, Piston, Comp., Center, .010" O.S.						
	295662	Ring, Oil (w/expander) .010" O.S.						
	295659	Ring Set-.020" O.S. Piston						
	210801	Ring, Piston, Comp., Top, .020" O.S.						
	210800	Ring, Piston, Comp., Center, .020" O.S.						
	295663	Ring, Oil (w/expander) .020" O.S.						
	295660	Ring Set-.030" O.S. Piston						
	210803	Ring, Piston, Comp., Top, .030" O.S.						
	210802	Ring, Piston, Comp., Center, .030" O.S.						
	295664	Ring, Oil (w/expander) .030" O.S.						
27	26026	Lock-Piston Pin						
28	291925	Pin Assy.-Piston-Standard						
	291926	Pin Assy.-Piston-.005" O.S.						
29	294201	Rod Assy.-Connecting						
31	220756	Lock-Connecting Rod Screw						
32	92296	Screw-Connecting Rod Screw						
33	26973	Valve-Exhaust						
34	230563	Valve-Intake						
35	26021	Spring-Intake Valve						
36	26478	Spring-Exhaust Valve						
40	23184	Retainer-Valve Spring						
43	23187	Pin-Valve Spring Retainer						
45	230173	Tappet-Valve						
46	210453	Gear-Cam						
47	294652	Oil Slinger Gear and Bracket						
52	*27355	Gasket-Carburetor						
	Note:	27909 Gasket-Carburetor Mtg. Used on Model 80800 and 81800 Series.						
56	295367	Pulley-Rewind Starter						
57	294303	Spring-Rewind Starter						
58	66384	Rope-Rewind Starter-47-1/8" long						
	Note:	If longer rope is needed, order No. 66514 and cut to required length.						
59	230228	Pin-Starter Rope						
60	66728	Grip-Starter Rope						
61	66918	Bumper-Starter Pulley						
62	93254	Screw-Pulley Bumper Mtg. Sem						
68	63770	Ball-Clutch						
70	260392	Ratchet-Rewind Starter						
76	67098	Washer-Ratchet Sealing						
90	295334	Carburetor Assembly (Choke-A-Matic)						
	Note:	296187 Carburetor Assembly (Choke-A-Matic)						

* Included in Gasket Set - Part No. 294244

REF. PART NO.	PART NO.	DESCRIPTION	REF. PART NO.	PART NO.	DESCRIPTION	REF. PART NO.	PART NO.	DESCRIPTION
		Used on Model 80800 and 81800 Series.	191	*27404	Gasket—Fuel Tank Mounting	301	230571	Nipple—Muffler
96	210721	Throttle—Carb. (Used on Model 80600 and 81600 Series)		Note: 27911	Gasket—Fuel Tank Mtg. Used on Model 80800 and 81800 Series.	304	220973	Housing—Blower
	Note: 210957	Throttle—Carburetor Used on Model 80800 and 81800 Series.	200	295402	Blade—Governor	305	93216	Screw—Blower Hsg. Mtg. Sem
114	65787	Gasket—Needle Valve Nut	201	260363	Link—Governor (Bell Crank to Governor Blade)	308	220969	Cover—Cylinder Head
	Note: 66594	Gasket—Needle Valve Nut Used on Model 80800 and 81800 Series.	202	260362	Link—Governor (Bell Crank to Throttle)	331	221074	Washer—Flywheel
116	65978	Packing—Needle Valve	203	221050	Crank—Bell	332	230534	Nut—Flywheel
117	23431	Nut—Needle Valve	205	92265	Screw—Bell Crank	333	296171	Armature—Magneto (Includes ignition cable)
	Note: 230590	Nut—Needle Valve Used on Model 80800 and 81800 Series.	216	260188	Link—Choke	337	29693	Plug—Spark (with gasket)
118	23433	Valve—Needle		Note: 260449	Link—Choke Used on Model 80800 and 81800 Series.	338	29806	Gasket—Spark Plug
120	92290	Washer—Lock—No. 10 x 1/16" x 3/64"	217	260189	Spring—Choke Link	340	26018	Spring—Breaker Arm
123	90700	Screw—Cap, Hex. Hd.—1/4-20 x 3/4"	218	220968	Washer—Choke Link (3)	341	93117	Screw—Contact Finger Post Mounting Sem
124	93031	Screw—Cap, Hex. Hd.—1/4-20 x 1-1/2"		Note: 221198	Washer—Choke Link (3) Used on Model 80800 and 81800 Series.	342	65704	Plunger—Breaker Point
147	23432	Seat—Needle Valve	257	93263	Screw—Fill. Hd., Sem	344	93042	Screw—Cond. Clamp Mtg. Sem
	Note: 230591	Seat—Needle Valve Used on Model 80800 and 81800 Series.	265	22372	Clamp—Control Wire Casing	345	220366	Cover—Breaker Point & Cond.
148	22235	Washer—Needle Valve	268	66986	Casing—Control Wire—48" long	346	93014	Screw—Dust Cover Mtg. Sem
149	26336	Spring—Needle Valve		Note: If longer casing is needed, specify length in inches; if a shorter casing is needed order No. 66986 and cut to required length.	348	296110	Plate Assembly—Stop Switch Insulator	
150	220105	Connector—Governor Link	269	26099	Wire—Control, 54" long	356	296185	Wire—Ground
151	92634	Screw—Machine, Rd. Hd.—5-40 x 5/8"		Note: If longer wire is needed, specify length in inches; if shorter wire is needed order No. 26099 and cut to required length.	358	294244	Gasket Set	
152	26657	Spring—Throttle Adjustment	270	63426	Locknut—Control Wire Casing	372	220477	Clamp—Condenser
153	230030	Screw—Carb. Cam and Lever	271	290568	Lever Assembly—Control	373	92987	Nut—Condenser Terminal
160	294870	Cleaner Assembly—Air (with mounting stud)	272	290584	Base—Control Lever	374	92813	Washer—Lock—Shakeproof
161	293991	Bowl—Air Cleaner	273	290642	Lever—Control	375	294628	Breaker Pts. & Condenser Set
162	294861	Cover and Filter—Air Cleaner (with mounting stud)	274	91237	Washer—Lock—1/4 x 3/32 x 5/64"	376	93167	Screw—Ground Wire
163	*27660	Gasket—Air Cleaner Mounting	275	92287	Screw—Machine, Rd. Hd.—10-32 x 1/4"	392	260455	Spring—Fuel Pump Diaphragm
169	90832	Washer—Lock—1/4 x 3/32 x 5/64"	276	22834	Washer—Spacer	394	27910	Diaphragm
171	92129	Nut—Hex.—1/4-28	277	22368	Washer—Control Lever	404	93028	Washer—Lock—Shakeproof
172	27795	Gasket—Air Cleaner	278	22725	Washer—Control Lever	414	220982	Washer—Bell Crank
180	296418	Tank Assembly—Fuel	279	92306	Screw—Cap, Hex. Hd.—1/4-28 x 5/8"	415	221236	Plug—Cylinder
	Note: 296427	Tank Assy.—Fuel Used on Model 80800 and 81800 Series.	298	260367	Locknut—Muffler	416	220957	Cover—Ratchet
181	293270	Cap—Fuel Tank	299	296148	Muffler—Exhaust (Lo-Tone)	417	93217	Screw—Ratchet Cov. Mtg. Sem
187	293700	Pipe—Fuel (Used only on Model 80600 and 81600 Series)		Note: 296376	Muffler—Ex. (Lo-Tone) Used on type Nos. 946025, 947025.	418	221061	Cover—Cylinder Side
190	93259	Screw—Fuel Tank Mounting	300	89966	Muffler—Exhaust	419	220962	Anchor—Spring
						420	67018	Seal—Crankshaft
						421	93215	Screw—Arm. to Sump Mtg. Sem
						422	220754	Retainer—Ignition Cable
						423	93214	Screw—Ignition Cable Retainer Mounting Sem
						424	67072	Washer—Governor Blade Mtg.
						425	93216	Screw—Spring Anchor Mtg. Sem
						426	93216	Screw—Governor Blade Assy. Mounting Sem
						427	221104	Washer—Flywheel Nut
						428	221103	Washer—Flywheel Nut Retainer
						429	221094	Cover—Cooling
						430	93042	Screw—Cooling Cover Mtg. Sem
						432	221192	Cap—Spring
						433	93265	Pin—Diaphragm Cover
						434	210959	Cover—Diaphragm
						435	93141	Screw—Diaphragm Cover
						436	210945	Elbow—Exhaust Outlet

* Included in Gasket Set — Part No. 294244.

REF. PART NO. NO.	DESCRIPTION	REF. PART NO. NO.	DESCRIPTION	REF. PART NO. NO.	DESCRIPTION
437 93249	Screw—Self Tapping	447 93257	Screw—Thumb	296191	Housing—Fuel Pipe Screen (for 1/8" O. D. Pipe)
438 296045	Clamp—Exhaust Muffler	448 220965	Bracket—Control Casing	Note:	These Housings used only on Model 80800, 81800 Series.
439 260475	Guide—Rope	449 91920	Screw—Machine, Fill. Hd.— No. 8-32 x 5/8"	468 221253	Screen—Air Intake
440 93014	Screw—Rope Guide Mtg. Sem	450 67072	Washer—Plain	469 221256	Clamp—Air Intake Screen
441 221228	Support—Fuel Tank	451 90364	Washer—Lock, No. 8 x 3/64 x 1/32"	470 92848	Screw—Clamp Mounting Sem
442 93031	Screw—Cap, Hex. Hd.— 1/4-20 x 1-1/2"	452 92029	Washer—Lock, Shakeproof	471 296428	High Speed Stop Assembly
443 296271	Cleaner Assembly—Air	453 92870	Screw—Casing Clamp Mtg.	472 221285	Scraper—Flywheel
444 221182	Cover—Air Cleaner	454 296178	Housing—Fuel Pipe Screen (for 3/16" O. D. Pipe)	473 93062	Screw—Tank Support Mtg. Sem
445 296188	Cartridge—Air Cleaner				
446 221181	Support—Air Cleaner				

*Included in Gasket Set — Part No. 294244.