



Illustrated Parts List

Model Series

587400
950cc
GAS

TYPE NUMBERS
0105, 0205, 0305.

**TO FIND
THE CORRECT NUMBER OF THE PART YOU NEED:
FOLLOW THE INSTRUCTIONS BELOW**

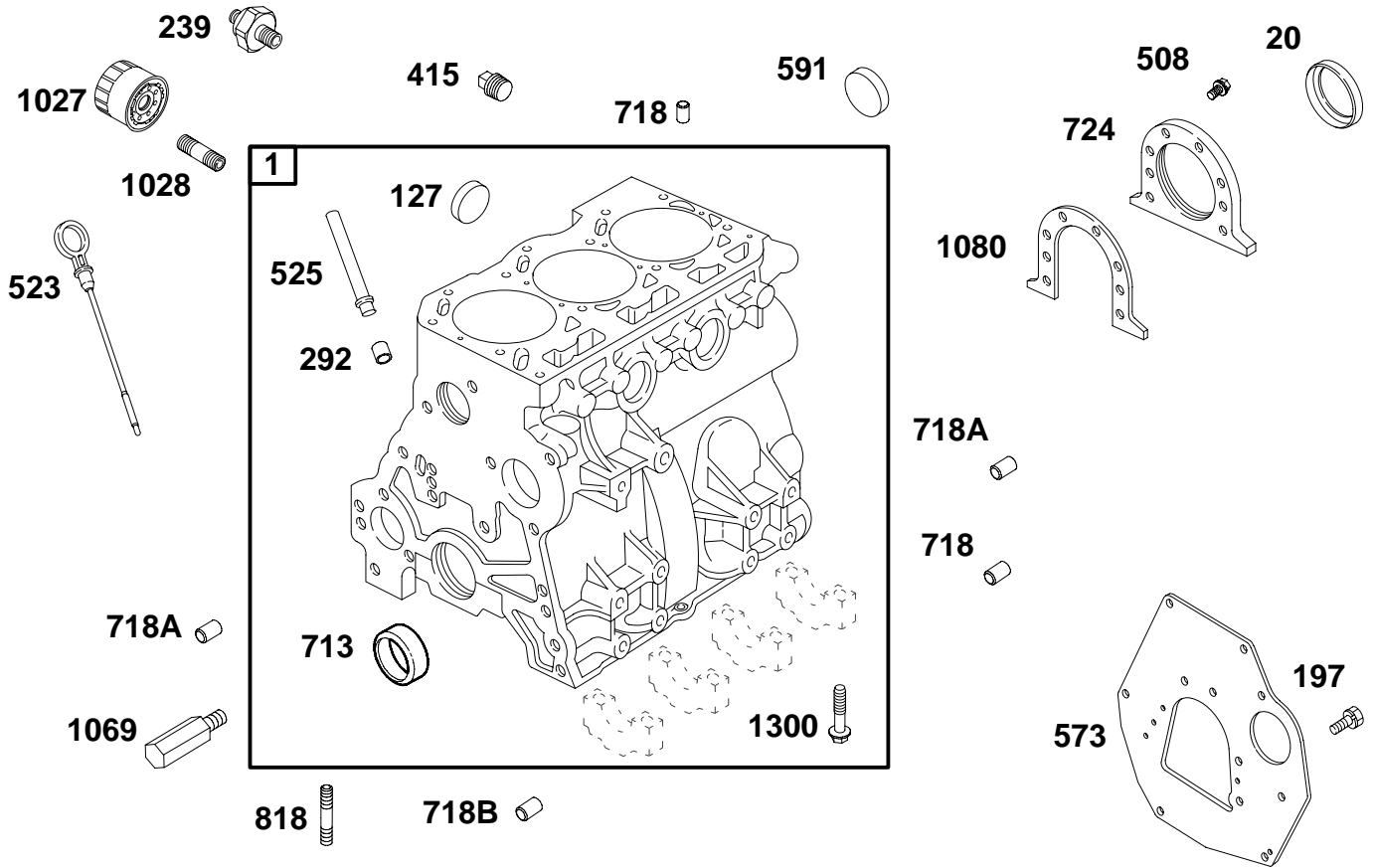
- A. Refer to Model, Type and Code Number that is located on the engine. Engine type numbers such as 0123 01 are listed only as 0123 in most instances. The two digits (01 or 02, etc.) to the right of the space may be required for more accurate parts identification in some instances. Select the Illustrated Parts List covering the correct Model Series and Type Number.
- B. Refer to the Illustrations and compare the original part with Illustration. The number next to the illustration is the Reference Number. Assemblies include all parts shown in frames. All parts shown in assembly frames having individual reference numbers can be purchased separately.
- C. After the Reference Number has been identified, refer to the Numerical text, where Reference and Primary Part Number are listed. **THE PRIMARY PART IS USED ON ALL TYPE NUMBERS EXCEPT THOSE TYPE NUMBERS UNDER "NOTE"**.
- D. If a "Note" appears below the Primary Part Number, it means that this part differs from the Primary Part for certain types. If your Type number is listed under "Note", order the part referred to at the "Note".
- E. If your Engine Type Number does not appear after any part number listed under "Note", use the Primary Part Number.
- F. For Engine Type Numbers not covered by this book, check other Parts Lists having the same engine model or contact your source of supply.
- G. **REFER TO REPAIR MANUAL MS 0750 FOR ASSEMBLY AND/OR TORQUE REQUIREMENTS.**

PRINTED IN U.S.A.



COPYRIGHT by BRIGGS & STRATTON DAIHATSU LLC
All rights reserved. No part of this material may be reproduced or transmitted, in any form or by any means, electronic or mechanical, including photocopying, recording or by any information storage and retrieval system, without permission in writing from Briggs & Stratton DAIHATSU LLC.

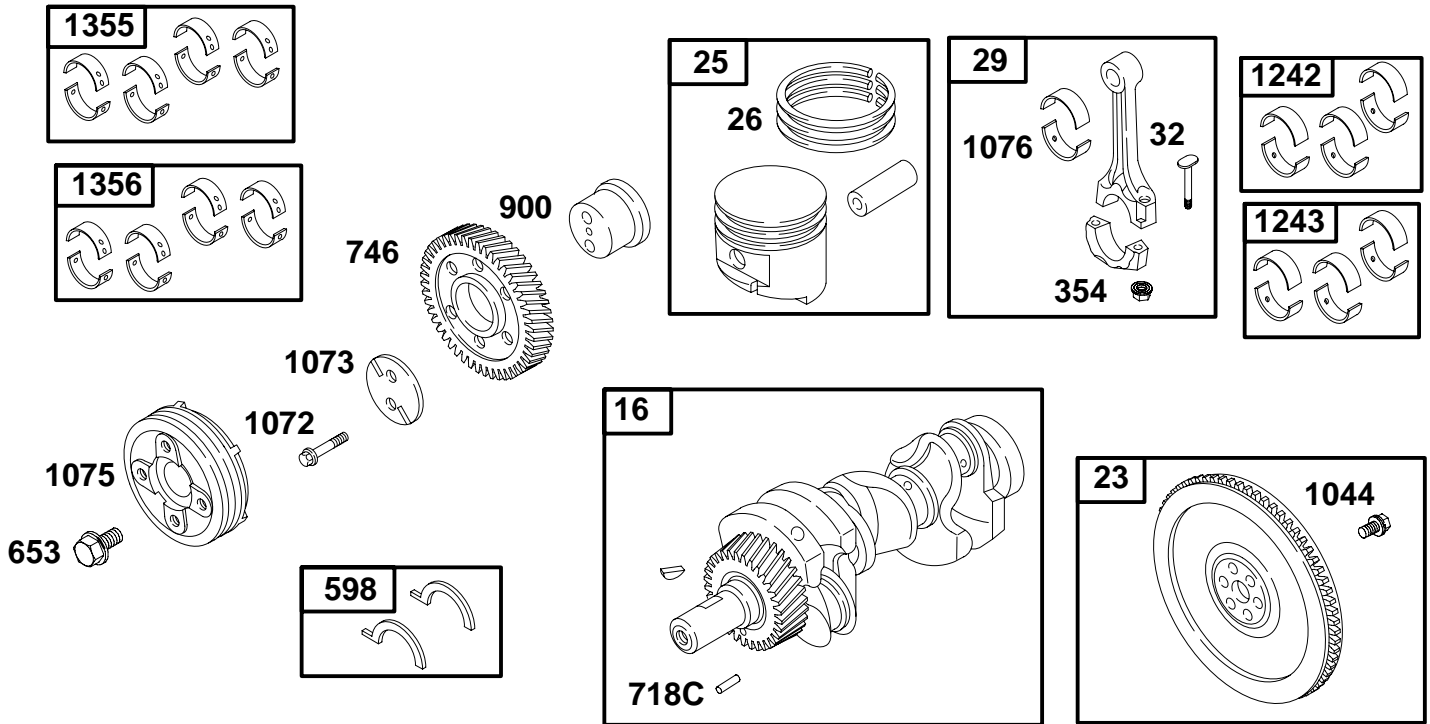
587400



REF. NO.	PART NO.	DESCRIPTION	REF. NO.	PART NO.	DESCRIPTION	REF. NO.	PART NO.	DESCRIPTION
1	825595	Cylinder Assembly (9 mm Head Bolts) (Used After Code Date 98123100). Used on Type No(s). 0205, 0305. ----- Note ----- 825026 Cylinder Assembly (8 mm Head Bolts) (Used Before Code Date 99010100).	127	820004	Plug-Welch	718	820063	Pin-Locating
			197	820176	Screw (Back Plate)	718A	820062	Pin-Locating
			239	821135	Switch-Oil Pressure	718B	820061	Pin-Locating
			292	820662	Collar-Dipstick Tube	724	820146	Retainer-Seal
			415	820051	Plug (Cylinder)	818	820016	Stud (Oil Pump Screen)
			508	820031	Screw (Seal Retainer)	1027	491056	Filter-Oil
			523	821158	Dipstick	1028	820851	Adapter-Oil
			525	820144	Tube-Dipstick	1069	820102	Nozzle-Oil
			573	820170	Plate-Back	1080	★820145	Gasket-Seal Retainer
20	★821073	Seal-Oil (PTO Side)	591	821069	Plug-Camshaft	1300	820042	Screw (Crankshaft Bearing Cap)
			713	820129	Bushing-Crankshaft			

★ Engine Gasket Set-Reference 358

◆ Carburetor Overhaul Kit-Reference 121
 Δ Valve Gasket Set-Reference 1095

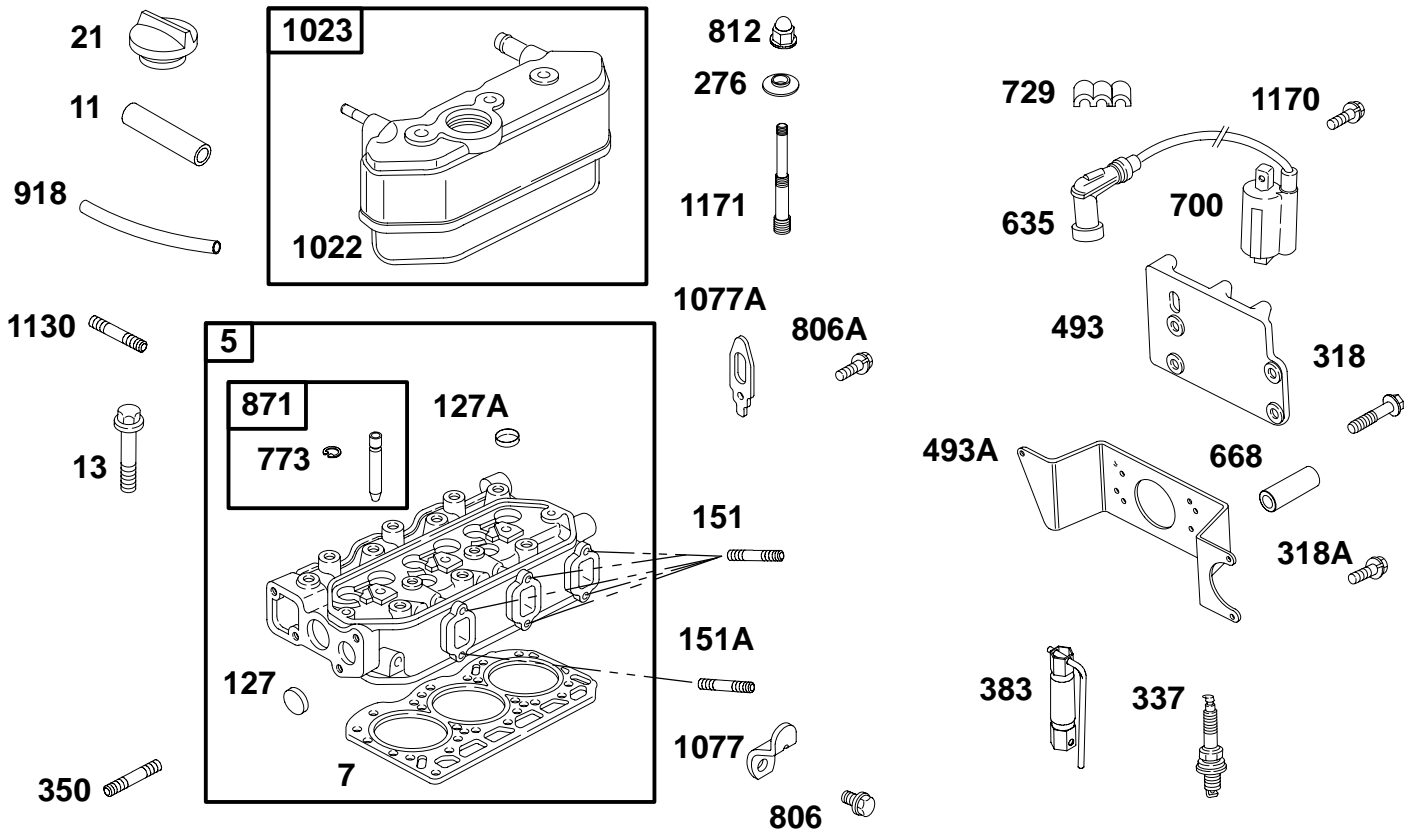


REF. NO.	PART NO.	DESCRIPTION	REF. NO.	PART NO.	DESCRIPTION	REF. NO.	PART NO.	DESCRIPTION
16	825552	Crankshaft (Used After Code Date 99063000). Used on Type No(s). 0205, 0305. ----- Note ----- 825193 Crankshaft (Used Before Code Date 99070100).	29	825033	Rod-Connecting	900	820116	Shaft-Gear
23	825303	Flywheel	32	820128	Screw (Connecting Rod)	1044	820080	Screw (Flywheel)
25	825203	Piston Assembly (Standard) ----- Note ----- 825204 Piston Assembly (.010" Oversize)	354	820073	Nut (Connecting Rod)	1072	820081	Screw (Idler Gear Plate)
26	825036	Ring Set ----- Note ----- 825034 Ring Set (.010" Oversize)	598	820140	Shim-Endplay (Crankshaft) (Standard) ----- Note ----- 820139 Shim-Endplay (Crankshaft) (.005" Oversize)	1073	820117	Plate-Idler Gear
			653	820079	Screw (Crankshaft Pulley)	1075	820236	Pulley-Crankshaft
			718C	820059	Pin-Locating (Crankshaft)	1076	820142	Bearing/STD-Rod
			746	820611	Gear-Idler (Used After Code Date 99063000). Used on Type No(s). 0205, 0305. ----- Note ----- 825013 Gear-Idler (Used Before Code Date 99070100).	1242	825019	Bearing Set/STD-Rod
						1243	825060	Bearing Set/010-Rod
						1355	825040	Bearing Set/STD-Main
						1356	825039	Bearing Set/010-Main

★ Engine Gasket Set-Reference 358

◆ Carburetor Overhaul Kit-Reference 121
 Δ Valve Gasket Set-Reference 1095

587400

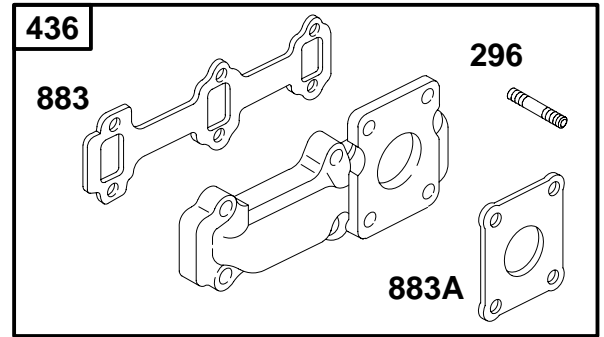
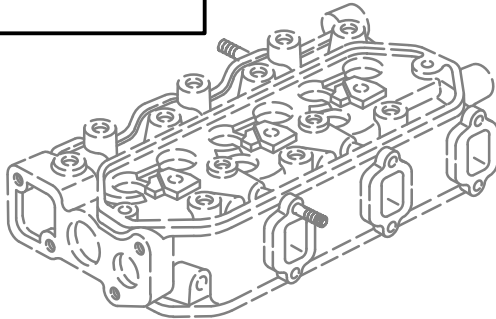
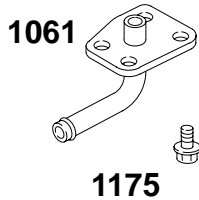
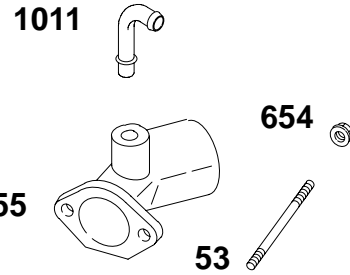
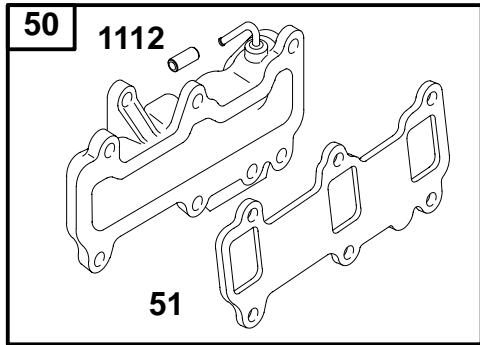


REF. NO.	PART NO.	DESCRIPTION	REF. NO.	PART NO.	DESCRIPTION	REF. NO.	PART NO.	DESCRIPTION
5	825693	Head-Cylinder (9 mm) (Used After Code Date 04083100). ----- Note ----- 825624 Head-Cylinder (9 mm) (Used Before Code Date 04090100).	21	825024	Cap-Oil Fill	806	820024	Screw (Lifting Bracket)
			127	820004	Plug-Welch	806A	820212	Screw (Lifting Bracket)
			127A	820005	Plug-Welch	812	820071	Nut (Rocker Cover)
			151	820014	Stud (Exhaust Manifold)	871	825030	Bushing-Valve Guide
			151A	820466	Stud (Exhaust Manifold)	918	820393	Hose-Vacuum
			276	★820064	Washer-Sealing (Rocker Cover)	1022	★820150	Gasket-Rocker Cover
			318	820676	Screw (Mounting Bracket)	1023	825277	Cover-Rocker (Order Reference 1019, Label Kit and Reference 1036, Emissions Label for your Model, Type, Trim)
			318A	820273	Screw (Mounting Bracket)	1077	820260	Bracket-Lifting
			337	491055	Plug-Spark	1077A	820254	Bracket-Lifting
			350	820078	Stud (Water Pump)	1130	820015	Stud (Intake Manifold)
			383	89838	Wrench-Spark Plug	1170	820012	Screw (Ignition Coil)
			493	820083	Bracket-Mounting	1171	820076	Stud (Rocker Cover)
			493A	820480	Bracket-Mounting			
			635	820084	Boot-Spark Plug			
			668	820675	Spacer			
			700	820037	Coil-Ignition			
			729	820672	Clip-Wire			
			773	820130	Retainer (Valve Guide Bushing)			

★ Engine Gasket Set-Reference 358

◆ Carburetor Overhaul Kit-Reference 121
 Δ Valve Gasket Set-Reference 1095

54  1174 



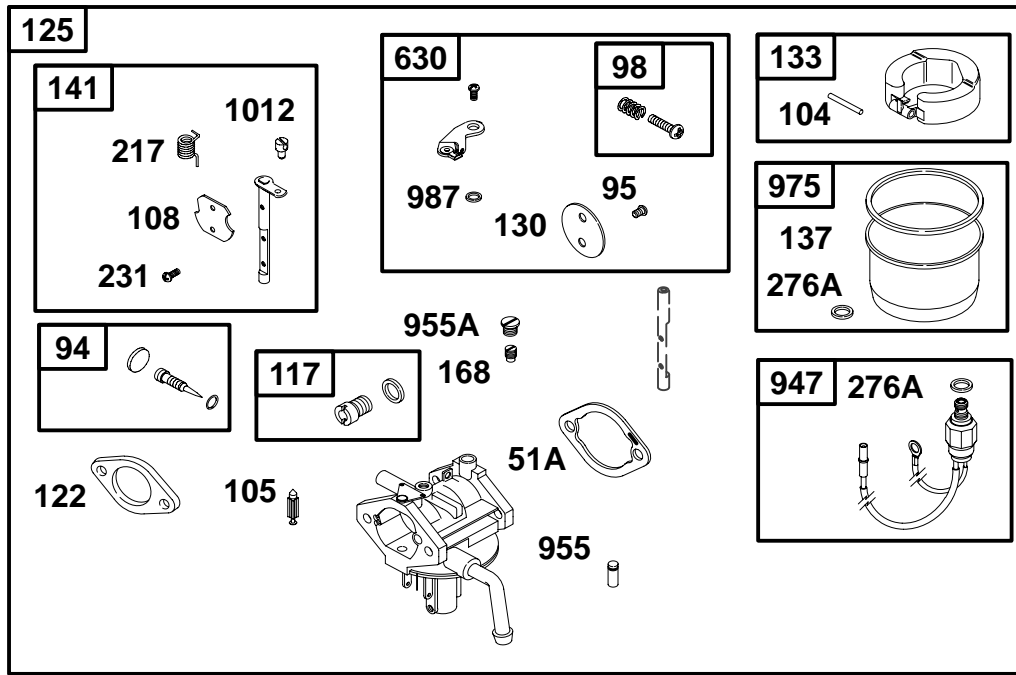
1176  1176A 

REF. NO.	PART NO.	DESCRIPTION	REF. NO.	PART NO.	DESCRIPTION	REF. NO.	PART NO.	DESCRIPTION
50	825260	Manifold-Intake	654	820011	Nut (Carburetor)	1112	820543	Plug-Vent (Intake Manifold)
51	820087	Gasket-Intake (Intake Manifold)	855	820578	Adapter-Air Cleaner (Parallel to Crankshaft)	1174	820069	Nut (Intake Manifold)
53	820077	Stud (Carburetor)	883	★820817	Gasket-Exhaust (Manifold)	1175	820034	Screw (Outlet Cover)
54	820031	Screw (Intake Manifold)	883A	★821001	Gasket-Exhaust (Muffler)	1176	820010	Nut (Exhaust Manifold)
296	820553	Stud (Muffler)	1011	820184	Tube-Vent	1176A	820178	Nut (Exhaust Manifold)
436	825055	Manifold-Exhaust	1061	820090	Cover-Outlet			

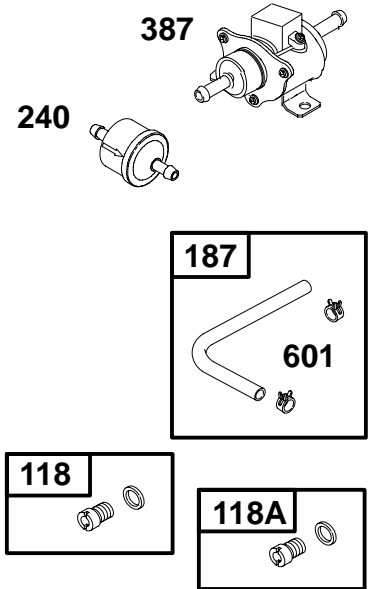
★ Engine Gasket Set-Reference 358

◆ Carburetor Overhaul Kit-Reference 121
 Δ Valve Gasket Set-Reference 1095

587400



NIKKI MANUAL CHOKE

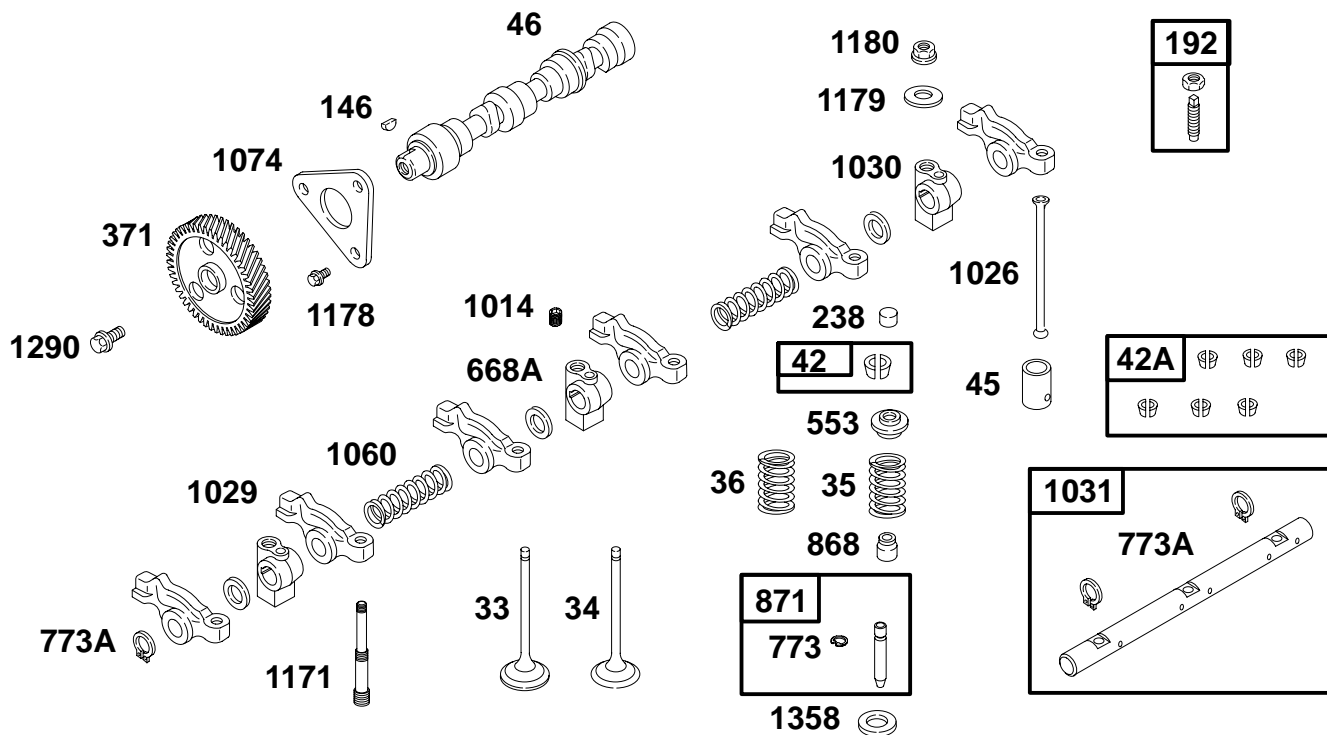


121 CARBURETOR OVERHAUL KIT

REF. NO.	PART NO.	DESCRIPTION	REF. NO.	PART NO.	DESCRIPTION	REF. NO.	PART NO.	DESCRIPTION		
51A	★◆820385	Gasket-Intake (Carburetor)	118A	825470	Jet-Main (High Altitude) (2,400 to 6,600 Feet) (Used Before Code Date 01080100).	231	◆820504	Screw (Choke Valve)		
94	◆825374	Kit-Idle Mixture			825291	Jet-Main (High Altitude) (6,000 to 10,000 Feet) (Used Before Code Date 01080100).	240	821026	Filter-Fuel	
95	◆820504	Screw (Throttle Valve)			----- Note -----		276A	◆820511	Washer-Sealing	
98	◆825250	Kit-Idle Speed			825291	Jet-Main (High Altitude) (6,000 to 10,000 Feet) (Used Before Code Date 01080100).	387	825232	Pump-Fuel	
104	◆693506	Pin-Float Hinge			----- Note -----		601	820006	Clamp-Hose	
105	◆820506	Valve-Float Needle			825291	Jet-Main (High Altitude) (6,000 to 10,000 Feet) (Used Before Code Date 01080100).	630	825440	Lever/Plate-Throttle	
108		Valve-Choke (Sold In Kit Only)			----- Note -----				(To Replace Throttle Shaft, Order Corresponding Carburetor)	
117	825563	Jet-Main (Standard) (Used After Code Date 01073100).	121	825441	Kit-Carburetor Overhaul	947	825677	Solenoid-Fuel (Used After Code Date 01073100).	----- Note -----	
		----- Note -----	122	◆820082	Spacer-Carburetor			825255	Solenoid-Fuel (Used Before Code Date 01080100).	
		825439 Jet-Main (Standard) (Used Before Code Date 01080100).	125	825583	Carburetor (Used After Code Date 01073100).			955	◆820510	Plug-Carburetor (Slow Passage)
118	825586	Jet-Main (High Altitude) (2,400 to 6,600 Feet) (Used After Code Date 01073100).			----- Note -----			955A	◆820520	Plug-Carburetor (Jet)
		----- Note -----	130		825373 Carburetor (Used Before Code Date 01080100).			975	825247	Bowl-Float
		825587 Jet-Main (High Altitude) (6,000 to 10,000 Feet) (Used After Code Date 01073100).	133	825248	Float-Carburetor			987	◆	Seal-Throttle Shaft (Sold In Kit Only)
			137	◆820508	Gasket-Float Bowl			1012	◆821234	Retainer-Link
			141	825375	Kit-Choke Shaft					
			168	◆820603	Jet-Idle Circuit					
			187	691050	Line-Fuel					
			217	◆	Spring-Choke Return (Sold In Kit Only)					

★ Engine Gasket Set-Reference 358

◆ Carburetor Overhaul Kit-Reference 121
 Δ Valve Gasket Set-Reference 1095

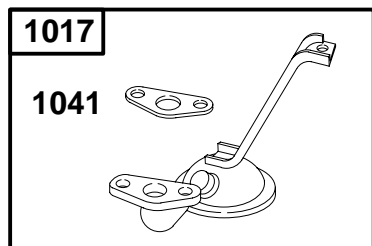


REF. NO.	PART NO.	DESCRIPTION	REF. NO.	PART NO.	DESCRIPTION	REF. NO.	PART NO.	DESCRIPTION
33	820114	Valve-Exhaust	192	825688	Adjuster-Rocker Arm (Used After Code Date 04083100).	773A	820003	Retainer (Rocker Arm Shaft)
34	820115	Valve-Intake				868	820041	Seal-Valve
35	820406	Spring-Valve (Intake) (Used After Code Date 04083100).				871	825030	Bushing-Valve Guide
		----- Note -----				1014	820105	Screw (Rocker Arm Support)
		820043 Spring-Valve (Intake) (Used Before Code Date 04090100).				1026	821218	Rod-Push (Used After Code Date 04083100).
36	820406	Spring-Valve (Exhaust) (Used After Code Date 04083100).	238	821214	Cap-Valve (Used After Code Date 04083100).			----- Note -----
		----- Note -----						820422 Rod-Push (Used Before Code Date 04090100).
		820043 Spring-Valve (Exhaust) (Used Before Code Date 04090100).				1029	820387	Arm-Rocker
42	825042	Keeper-Valve				1030	820106	Support-Rocker Arm
42A	825082	Keeper-Valve	371	820613	Gear-Cam (Used After Code Date 99063000). Used on Type No(s). 0205, 0305.	1031	825093	Shaft-Rocker Arm
45	820110	Tappet-Valve				1060	820044	Spring-Rocker Shaft
46	820388	Camshaft				1074	820118	Retainer-Camshaft
146	691639	Key-Timing				1171	820076	Stud (Rocker Cover)
						1178	820032	Screw (Camshaft Retainer)
			553	820111	Retainer-Valve Spring	1179	820177	Washer (Rocker Arm Support)
			668A	820065	Spacer (Rocker Arm Shaft)	1180	820070	Nut (Rocker Arm Support)
			773	820130	Retainer (Valve Guide Bushing)	1290	820075	Screw (Cam Gear)
						1358	820112	Seat-Valve Spring

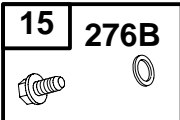
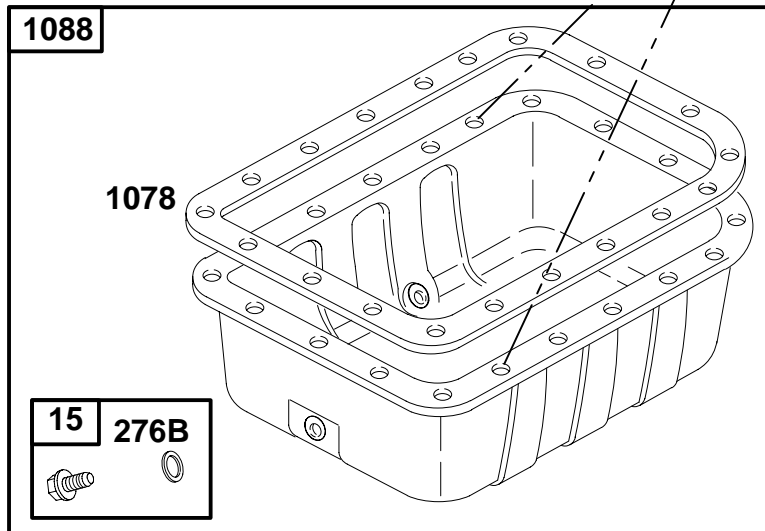
★ Engine Gasket Set-Reference 358

◆ Carburetor Overhaul Kit-Reference 121
 Δ Valve Gasket Set-Reference 1095

587400



848  479 

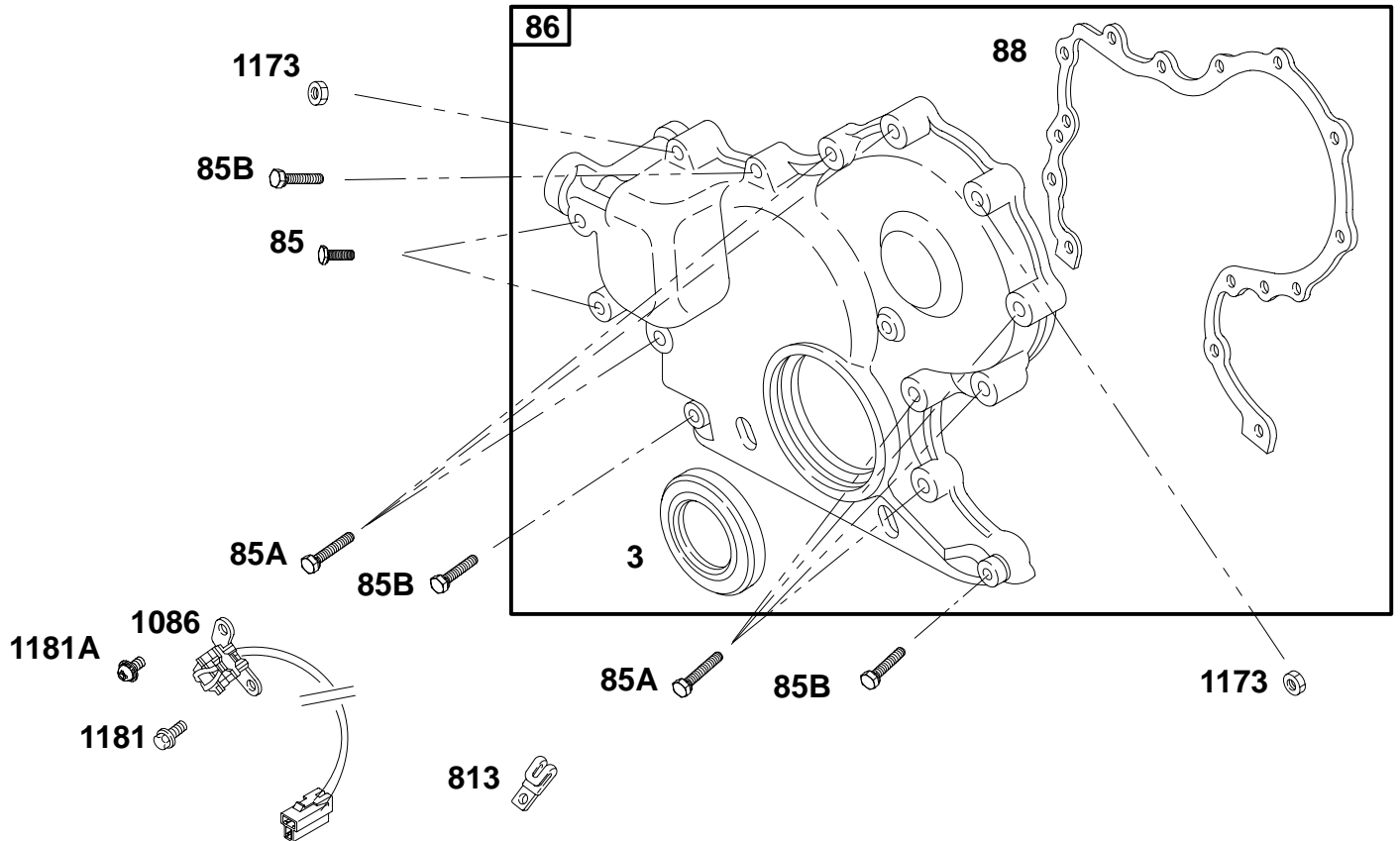


1039  952 

REF. NO.	PART NO.	DESCRIPTION	REF. NO.	PART NO.	DESCRIPTION	REF. NO.	PART NO.	DESCRIPTION
15	825278	Plug-Oil Drain	941	820017	Stud (Oil Pan)	1017	825089	Screen-Oil Pump
276B	★820582	Sealing Washer (Oil Drain Plug)	952	820068	Nut (Oil Pan)	1039	820034	Screw (Oil Pan)
479	820034	Screw (Oil Pump Screen)				1041	★820104	Gasket-Oil Pump Screen
848	820069	Nut (Oil Pump Screen)				1078	★820137	Gasket-Oil Pan
						1088	825285	Pan-Oil (Dual Drain)

★ Engine Gasket Set-Reference 358

◆ Carburetor Overhaul Kit-Reference 121
 Δ Valve Gasket Set-Reference 1095

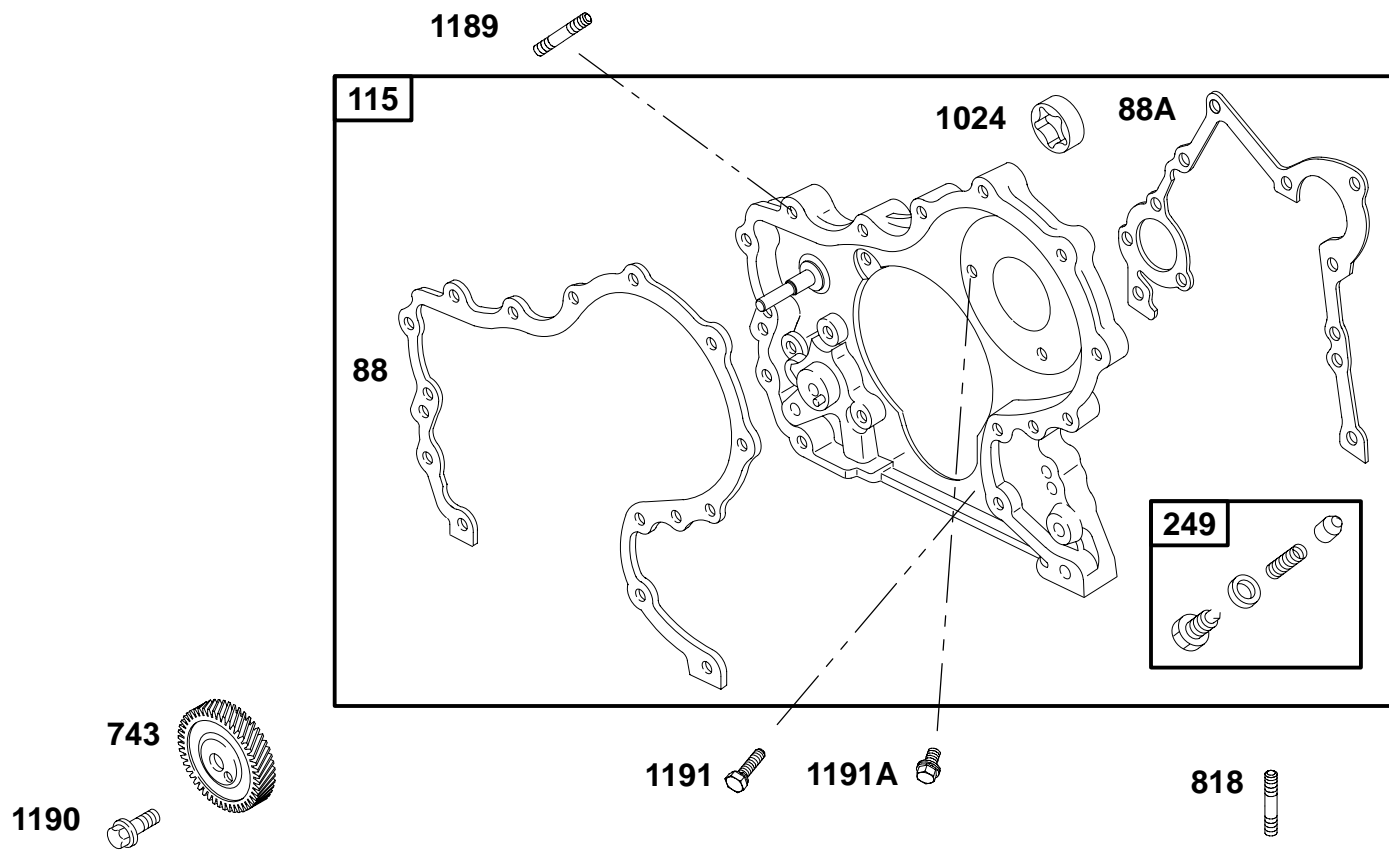


REF. NO.	PART NO.	DESCRIPTION	REF. NO.	PART NO.	DESCRIPTION	REF. NO.	PART NO.	DESCRIPTION
3	★821071	Seal–Oil (Magneto Side)	86	825119	Cover–Gear	1173	820069	Nut (Gear Cover)
85	820026	Screw (Gear Cover to Gear Reduction Case)	88	★820148	Gasket–Gear Reduction Cover	1181	820029	Screw (Ignition Trigger)
85A	820029	Screw (Gear Cover to Gear Reduction Case)	813	820047	Clamp	1181A	820013	Screw (Ignition Trigger)
85B	820027	Screw (Gear Cover to Gear Reduction Case)	1086	825009	Trigger–Ignition			

★ Engine Gasket Set–Reference 358

◆ Carburetor Overhaul Kit–Reference 121
 Δ Valve Gasket Set–Reference 1095

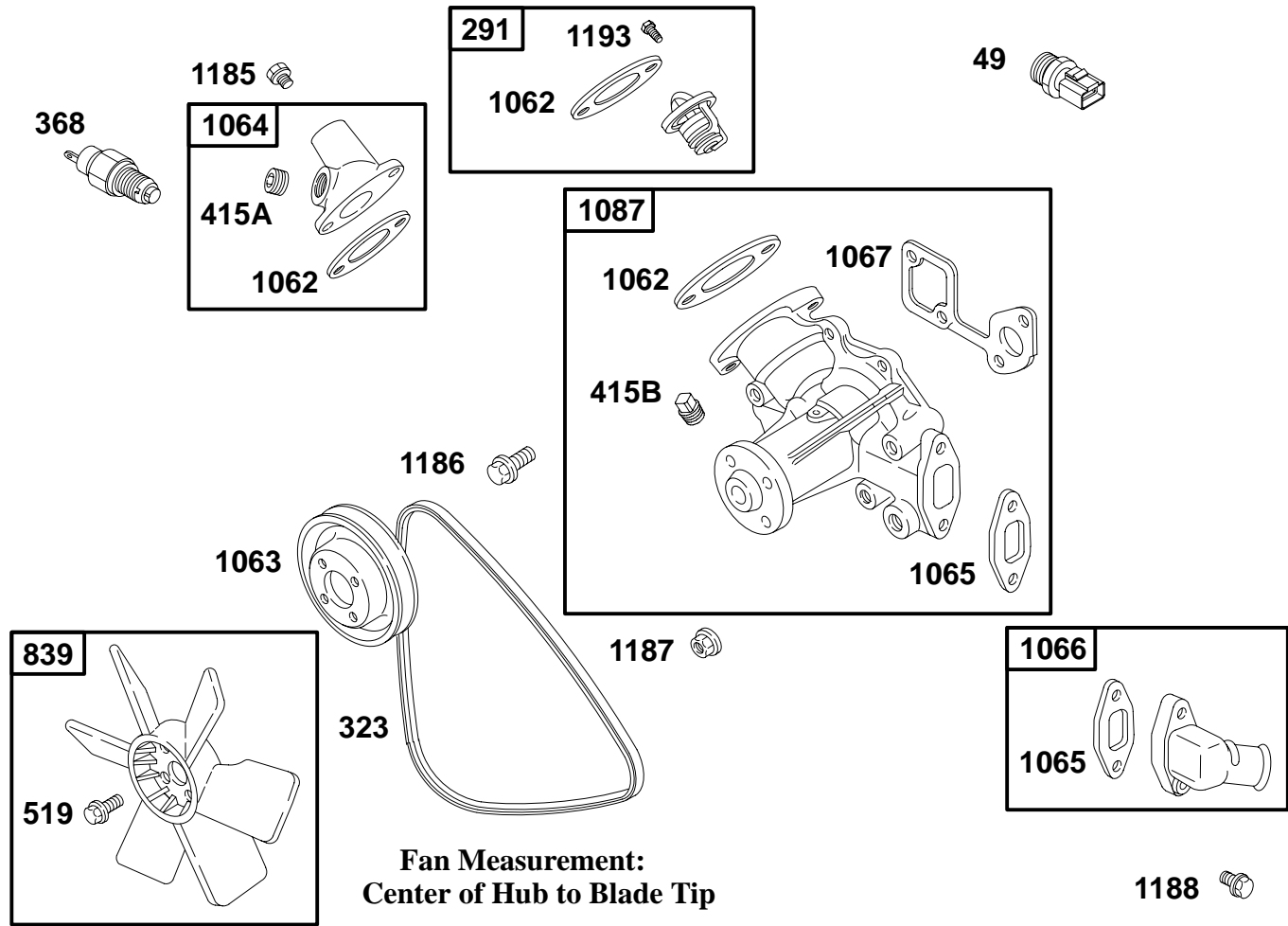
587400



REF. NO.	PART NO.	DESCRIPTION	REF. NO.	PART NO.	DESCRIPTION	REF. NO.	PART NO.	DESCRIPTION
88	★820148	Gasket-Gear Reduction Cover	743	820615	Gear-Drive (Used After Code Date 99063000). Used on Type No(s). 0205, 0305.	1024		Pump-Oil (Sold in Gear Housing Only, Reference 115)
88A	★820155	Gasket-Gear Reduction Cover				1189	820156	Stud (Gear Housing)
115	825120	Housing-Gear				1190	820180	Screw (Drive Gear)
249	825032	Valve-Pressure Relief				1191	820030	Screw (Gear Housing)
					----- Note -----	1191A	820033	Screw (Gear Housing)
			818	820016	Stud (Oil Pump Screen)			

★ Engine Gasket Set-Reference 358

◆ Carburetor Overhaul Kit-Reference 121
 Δ Valve Gasket Set-Reference 1095



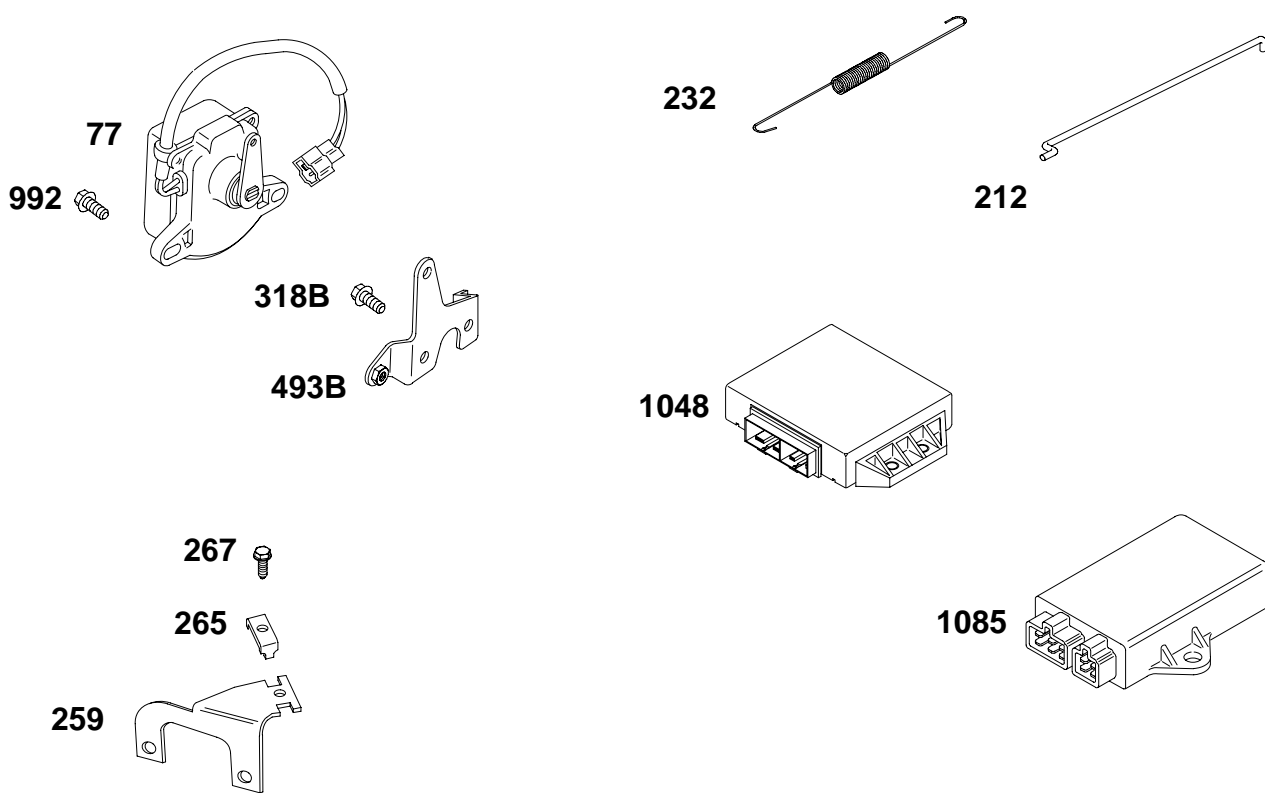
REF. NO.	PART NO.	DESCRIPTION	REF. NO.	PART NO.	DESCRIPTION	REF. NO.	PART NO.	DESCRIPTION
49	820590	Sensor-Water Temperature	1062	★820093	Gasket-Outlet Housing	1185	820031	Screw (Outlet Housing)
291	825064	Thermostat	1063	820095	Pulley-Pump	1186	820022	Screw (Water Pump)
323	821075	Belt-Vee	1064	825074	Housing-Outlet	1187	820181	Nut (Water Pump)
368	820208	Switch-Water Temperature	1065	★820098	Gasket-Inlet Housing	1188	820031	Screw (Inlet Housing)
415A	820052	Plug (Outlet Housing)	1066	825051	Housing-Inlet	1193	820185	Screw (Thermostat)
415B	820182	Plug (Water Pump)	1067	★820100	Gasket-Water Pump			
519	820034	Screw (Radiator Fan)	1087	825275	Pump-Water			
839	825454	Fan-Radiator (320mm Less Spacer)						

★ Engine Gasket Set-Reference 358

◆ Carburetor Overhaul Kit-Reference 121
 Δ Valve Gasket Set-Reference 1095

587400

ELECTRONIC GOVERNOR



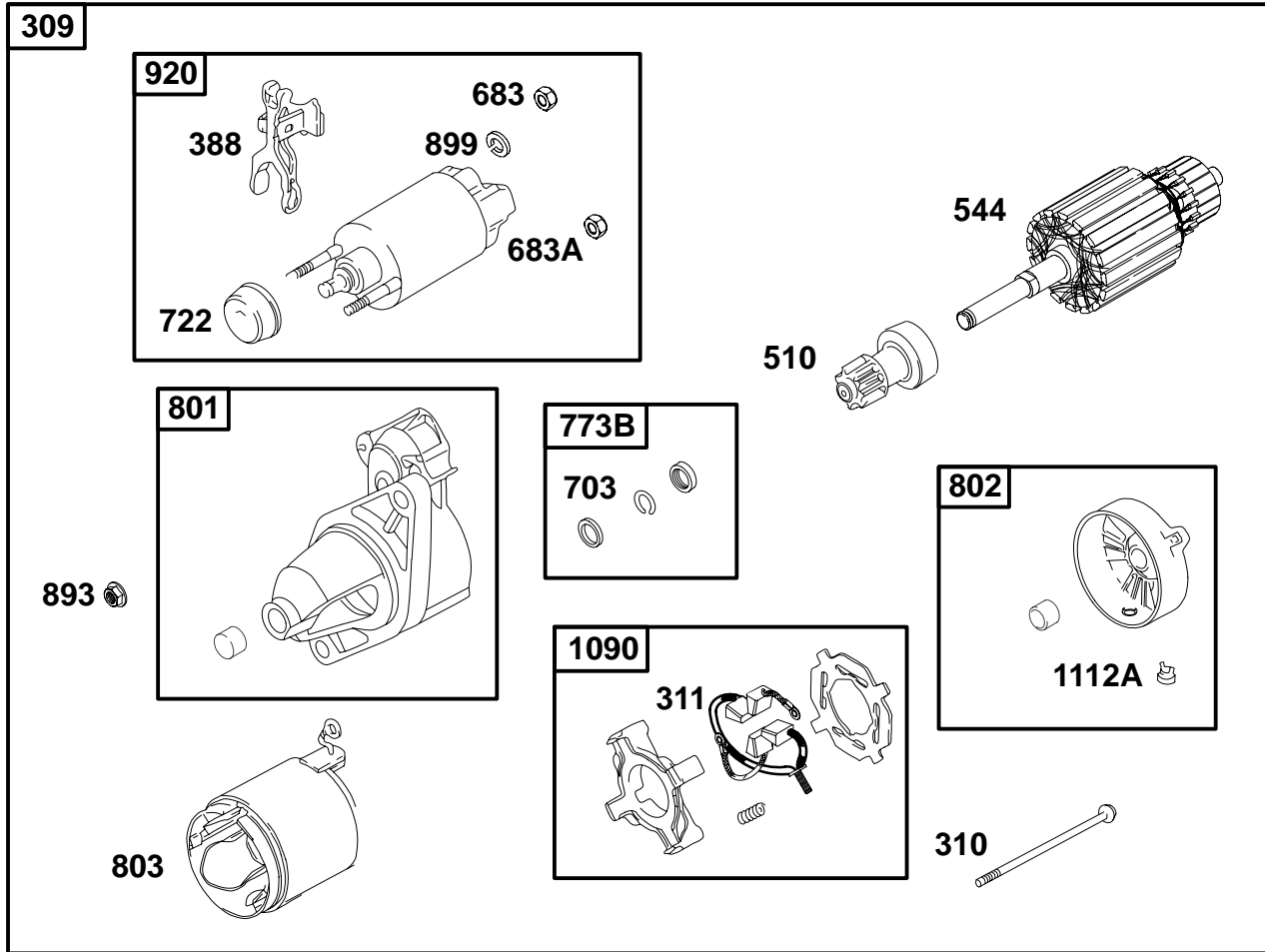
REF. NO.	PART NO.	DESCRIPTION	REF. NO.	PART NO.	DESCRIPTION	REF. NO.	PART NO.	DESCRIPTION
77	820209	Motor-Servo	318B	820174	Screw (Mounting Bracket)	1048	825473	Module-Electronic Governor (Diode and Instructions Included)
212	820226	Link-Throttle	493B	820876	Bracket-Mounting (Servo Motor)	1085	825572	Module-Ignition
232	820227	Spring-Governor Link	992	820228	Screw (Servo Motor)			
259	820224	Bracket-Casing Clamp						
265	691024	Clamp-Casing						
267	820012	Screw (Casing Clamp)						

★ Engine Gasket Set-Reference 358

◆ Carburetor Overhaul Kit-Reference 121
 Δ Valve Gasket Set-Reference 1095

0.8 KW

RED LABEL



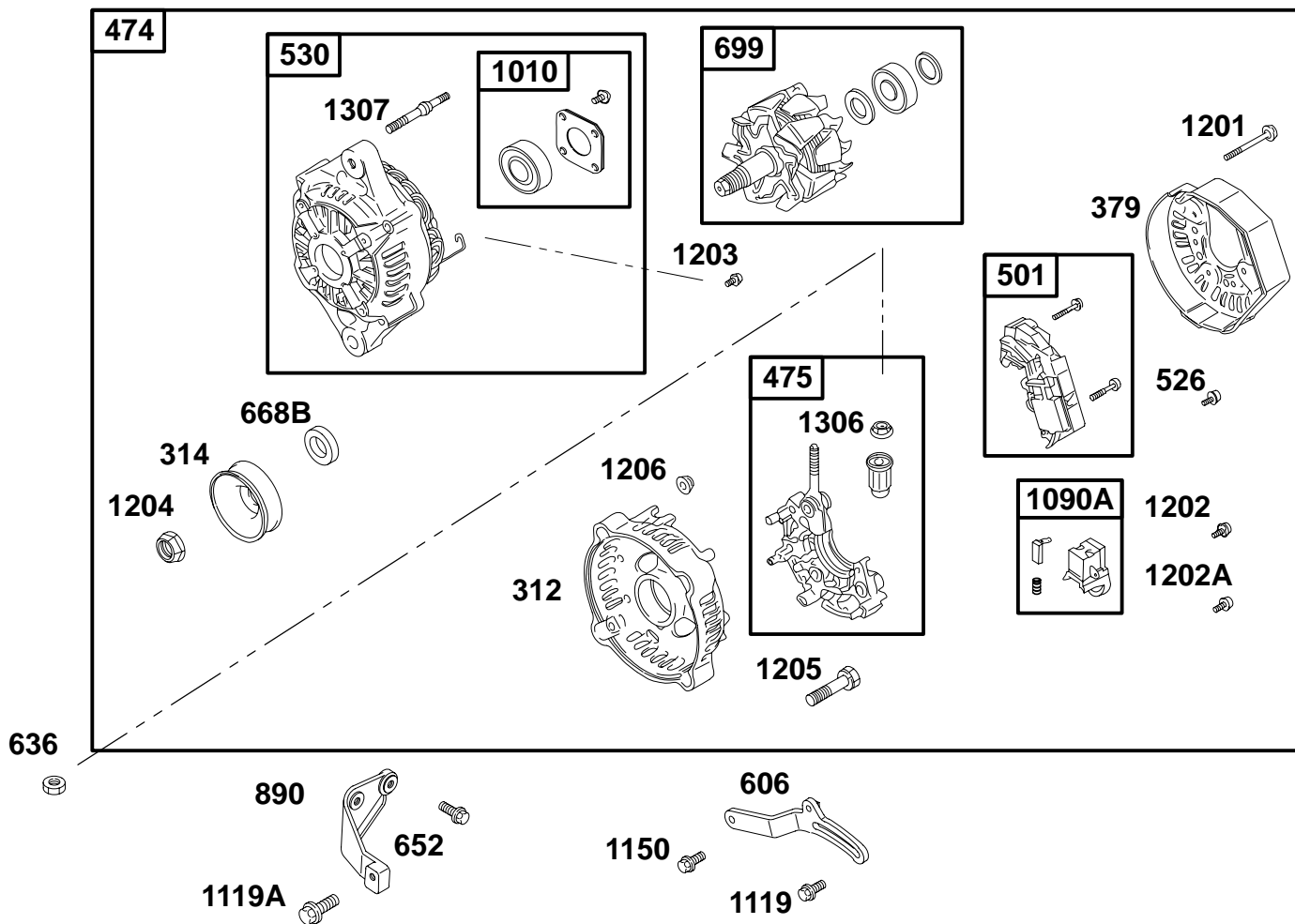
REF. NO.	PART NO.	DESCRIPTION	REF. NO.	PART NO.	DESCRIPTION	REF. NO.	PART NO.	DESCRIPTION
309	825095	Motor-Starter	703	820803	Clip	920	825418	Solenoid-Starter
310	820807	Bolt (Starter Motor)	722	820801	Seal-Plunger	1090	825412	Retainer-Brush
311	825411	Brush Set	773B	825420	Retainer (Starter Drive)	1112A	820797	Plug-Vent (End Cap)
388	820799	Lever-Pinion Drive	801	820791	Cap-Drive			
510	820789	Drive-Starter	802	825416	Cap-End			
544	825414	Armature-Starter	803	820783	Housing-Starter			
683	820813	Nut (Starter Solenoid) (Terminal)	893	820805	Nut (Starter Solenoid)			
683A	820809	Nut (Starter Solenoid) (Terminal)	899	820811	Washer (Starter Solenoid) (Terminal)			

★ Engine Gasket Set-Reference 358

◆ Carburetor Overhaul Kit-Reference 121
 Δ Valve Gasket Set-Reference 1095

587400

40 AMP

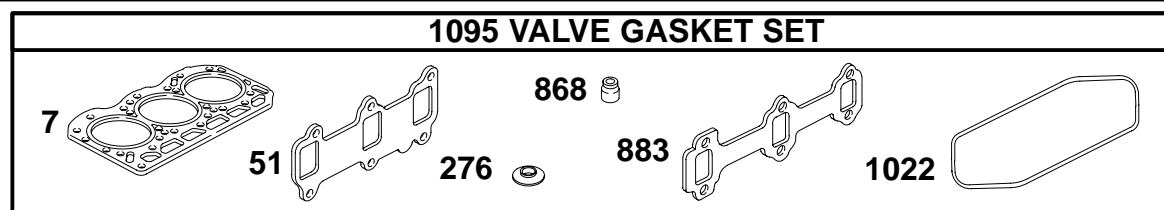
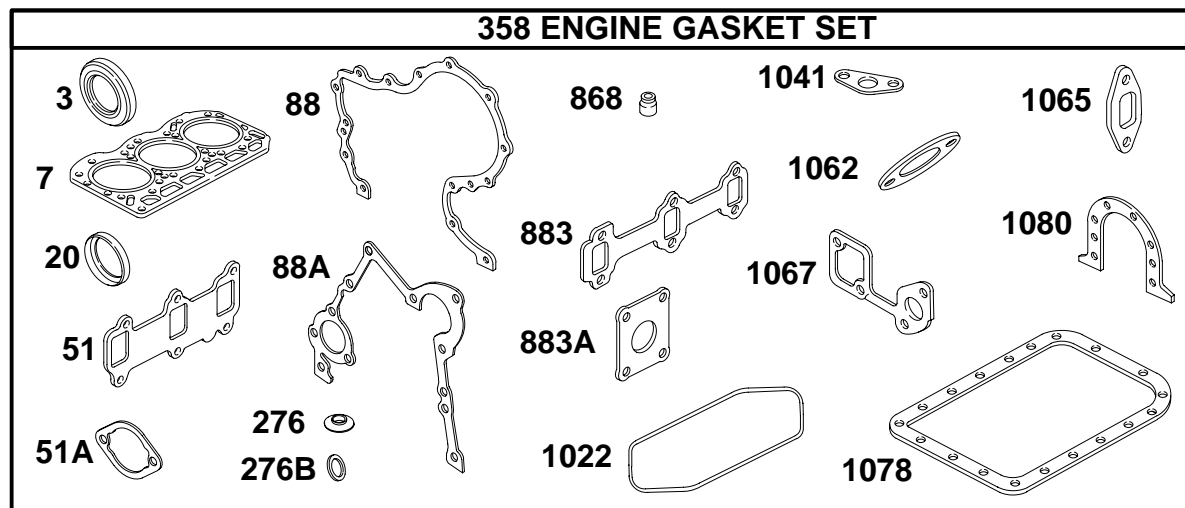
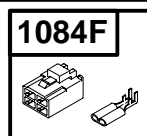
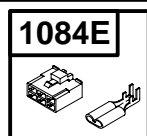
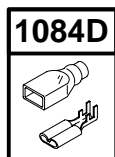
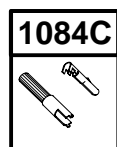
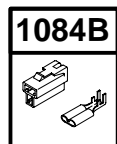
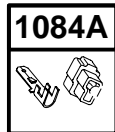
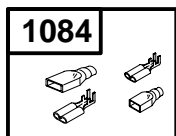


REF. NO.	PART NO.	DESCRIPTION	REF. NO.	PART NO.	DESCRIPTION	REF. NO.	PART NO.	DESCRIPTION
312	820692	Housing—Brush End	890	820213	Bracket—Support	1201	820715	Screw (Brush Cover)
314	820711	Pulley—Alternator	1010	825384	Retainer—Bearing	1202	820701	Screw (Brush Retainer)
379	820703	Cover—Brush	1090A	825387	Retainer—Brush	1202A	820702	Screw (Brush Retainer)
474	825084	Alternator	1119	820483	Screw (Alternator)	1203	820702	Screw (Ground Terminal)
475	825385	Rectifier	1119A	820270	Screw (Alternator)	1204	820705	Nut (Alternator Pulley)
501	825388	Regulator	1150	820023	Screw (Adjusting Strap)	1205	820707	Screw (Brush End Housing)
526	820702	Screw (Rectifier)				1206	820709	Nut (Brush End Housing)
530	825383	Housing—Drive End				1306	820781	Nut (Rectifier)
606	820819	Strap—Adjusting				1307	820690	Stud (Drive End Housing)
636	820069	Nut (Starting Switch)						
652	820275	Screw (Support Bracket)						
668B	820713	Spacer (Rotor Assembly)						
699	825390	Rotor Assembly						

★ Engine Gasket Set—Reference 358

◆ Carburetor Overhaul Kit—Reference 121
 Δ Valve Gasket Set—Reference 1095

587400




REF. NO.	PART NO.	DESCRIPTION	REF. NO.	PART NO.	DESCRIPTION	REF. NO.	PART NO.	DESCRIPTION
3	★821071	Seal-Oil (Magneto Side)	358	825378	Gasket Set-Engine	1084	825155	Connector-Terminal
7	★△820648	Gasket-Cylinder Head	868	★△820041	Seal-Valve	1084A	825156	Connector-Terminal
20	★821073	Seal-Oil (PTO Side)	883	★△820817	Gasket-Exhaust (Manifold)	1084B	825157	Connector-Terminal
51	★△820087	Gasket-Intake (Intake Manifold)	883A	★821001	Gasket-Exhaust (Muffler)	1084C	825158	Connector-Terminal
51A	★◆820385	Gasket-Intake	1022	★△820150	Gasket-Rocker Cover	1084D	825160	Connector-Terminal
88	★820148	Gasket-Gear Reduction Cover	1041	★820104	Gasket-Oil Pump Screen	1084E	825162	Connector-Terminal
88A	★820155	Gasket-Gear Reduction Cover	1062	★820093	Gasket-Outlet Housing	1084F	825163	Connector-Terminal
276	★△820064	Washer-Sealing (Rocker Cover)	1065	★820098	Gasket-Inlet Housing	1095	825379	Gasket Set-Valve
276B	★820582	Washer-Sealing (Oil Drain Plug)	1067	★820100	Gasket-Water Pump			
			1078	★820137	Gasket-Oil Pan			
			1080	★820145	Gasket-Seal Retainer			

★ Engine Gasket Set-Reference 358


◆ Carburetor Overhaul Kit-Reference 121
 △ Valve Gasket Set-Reference 1095

587400

1019


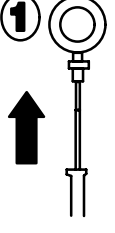
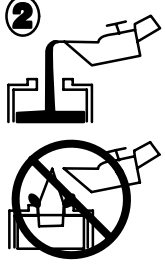
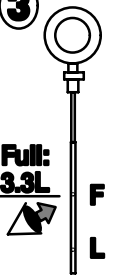


VANGUARD
DAIHATSU
DM 950G
Manufactured in Japan by Daihatsu

1040


1319

CAUTION

			
		<p>DO NOT OVERFILL</p>	

1036

IMPORTANT ENGINE INFORMATION **DAIHATSU MOTOR CO., LTD.**

ENGINE DISPLACEMENT: XXX cc ENGINE FAMILY NAME: XXXXXXXX

WEAR BUSH OF THE ENGINE IS

(1) (2) (3) (4) (5) (6) (7) (8)

NOTES: THE LOWER THE AIR DENSITY, THE LESS POLLUTION.
THIS ENGINE IS DESIGNED TO BE EMISSION COMPLIANT FOR THE FOLLOWING USE:
EQUIPMENT EMISSIONS X (EXCLUDED)

THIS ENGINE CONFORMS TO 200X AND LATER U.S. EPA AND 200X AND LATER CALIFORNIA EMISSION REGULATIONS FOR SMALL OFF-ROAD ENGINES. REFER TO OWNER'S MANUAL FOR MAINTENANCE SPECIFICATIONS AND ADJUSTMENTS. EPA EMISSIONS COMPLIANCE PERIOD: 200X HOURS

IMPORTANT ENGINE INFORMATION **DAIHATSU MOTOR CO., LTD.**

ENGINE DISPLACEMENT: XXX cc ENGINE FAMILY NAME: XXXXXXXX

THIS ENGINE CONFORMS TO 200X AND LATER CALIFORNIA EMISSION REGULATIONS FOR OFF-ROAD LARGE SPARK-IGNITION ENGINES. REFER TO OWNER'S MANUAL FOR MAINTENANCE SPECIFICATIONS AND ADJUSTMENTS.

1330 REPAIR MANUAL

1058 OPERATOR'S MANUAL

REF. NO.	PART NO.	DESCRIPTION	REF. NO.	PART NO.	DESCRIPTION
1019	825618	Kit-Label (Used After Code Date 02043000). ----- Note ----- 825228 Kit-Label (Used Before Code Date 02050100).	1040	820290	Plate-Trim
1036	825657	Label-Emissions (Used After Code Date 03123100). ----- Note ----- 825621 Label-Emissions (Used Before Code Date 04010100).	1058	820883	Operator's Manual
					1319 821160 Label-Warning (Used After Code Date 04022800). ----- Note ----- 820891 Label-Warning (Used Before Code Date 04030100).
					1330 MS0750 Repair Manual

★ Engine Gasket Set-Reference 358

◆ Carburetor Overhaul Kit-Reference 121
△ Valve Gasket Set-Reference 1095