



# Illustrated Parts List

## Model Series

**584400**

**950cc**

**GASEOUS**

TYPE NUMBERS  
0205, 0210.

### TO FIND

### THE CORRECT NUMBER OF THE PART YOU NEED: FOLLOW THE INSTRUCTIONS BELOW

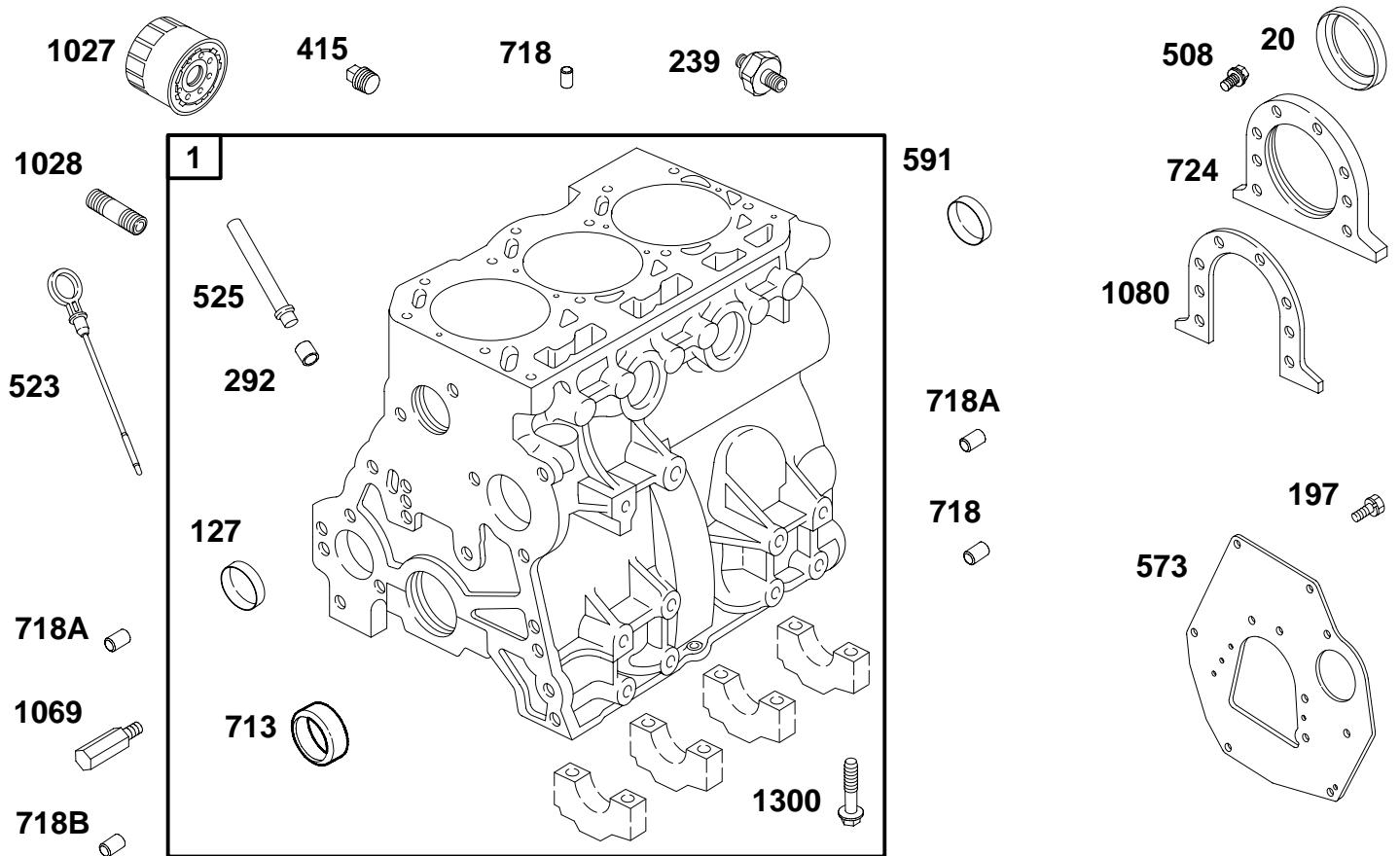
- A. Refer to Model, Type and Code Number that is located on the engine. Engine type numbers such as 0123 01 are listed only as 0123 in most instances. The two digits (01 or 02, etc.) to the right of the space may be required for more accurate parts identification in some instances. Select the Illustrated Parts List covering the correct Model Series and Type Number.
- B. Refer to the Illustrations and compare the original part with Illustration. The number next to the illustration is the Reference Number. Assemblies include all parts shown in frames. All parts shown in assembly frames having individual reference numbers can be purchased separately.
- C. After the Reference Number has been identified, refer to the Numerical text, where Reference and Primary Part Number are listed. **THE PRIMARY PART IS USED ON ALL TYPE NUMBERS EXCEPT THOSE TYPE NUMBERS UNDER NOTE.**
- D. If a *Note* appears below the Primary Part Number, it means that this part differs from the Primary Part for certain types. If your Type number is listed under *Note*, order the part referred to at the *Note*.
- E. If your Engine Type Number does not appear after any part number listed under *Note*, use the Primary Part Number.
- F. For Engine Type Numbers not covered by this book, check other Parts Lists having the same engine model or contact your source of supply.
- G. **REFER TO REPAIR MANUAL MS 0750 FOR ASSEMBLY AND/OR TORQUE REQUIREMENTS.**

PRINTED IN U.S.A.



COPYRIGHT by BRIGGS & STRATTON DAIHATSU LLC  
All rights reserved. No part of this material may be reproduced or transmitted, in any form or by any means, electronic or mechanical, including photocopying, recording or by any information storage and retrieval system, without permission in writing from Briggs & Stratton DAIHATSU LLC.

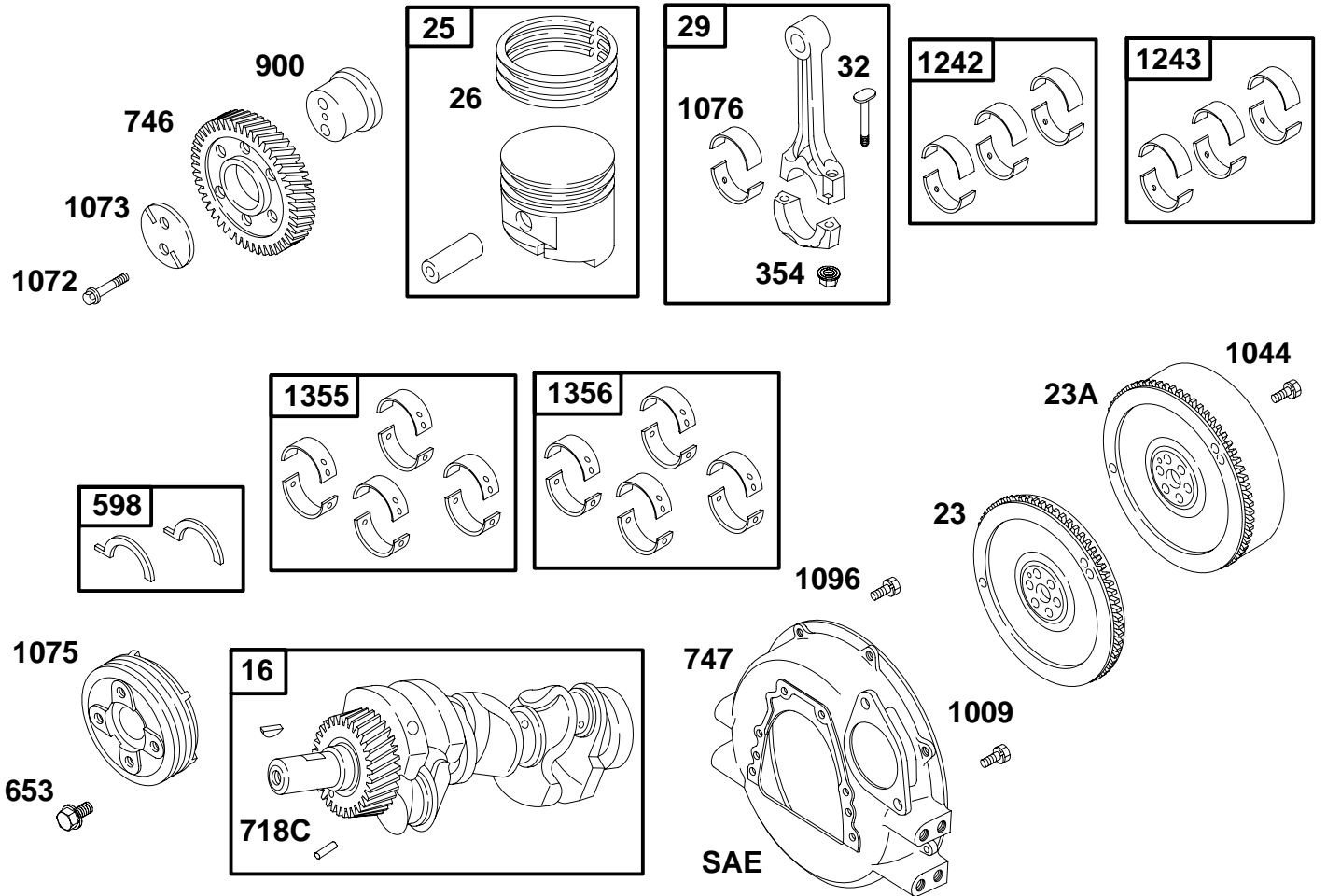
# 584400



REF. NO.	PART NO.	DESCRIPTION	REF. NO.	PART NO.	DESCRIPTION	REF. NO.	PART NO.	DESCRIPTION
1	825595	Cylinder Assembly	508	820031	Screw (Seal Retainer)	718B	820061	Pin-Locating
20	★821073	Seal-Oil (PTO Side)	523	821158	Dipstick	724	820146	Retainer-Seal
127	820004	Plug-Welch	525	820144	Tube-Dipstick	1027	491056	Filter-Oil
197	820176	Screw (Back Plate)	573	820170	Plate-Back	1028	820851	Adapter-Oil Filter
239	821135	Switch-Oil Pressure	591	821069	Plug-Camshaft	1069	820102	Nozzle-Oil
292	820662	Collar-Dipstick Tube	713	820129	Bushing-Camshaft	1080	★820145	Gasket-Seal Retainer
415	820051	Plug (Cylinder)	718	820063	Pin-Locating	1300	820042	Screw (Crankshaft Bearing Cap)
			718A	820062	Pin-Locating			

★ Engine Gasket Set - Reference 358  
MS0750 REPAIR MANUAL

Δ Valve Gasket Set - Reference 1095

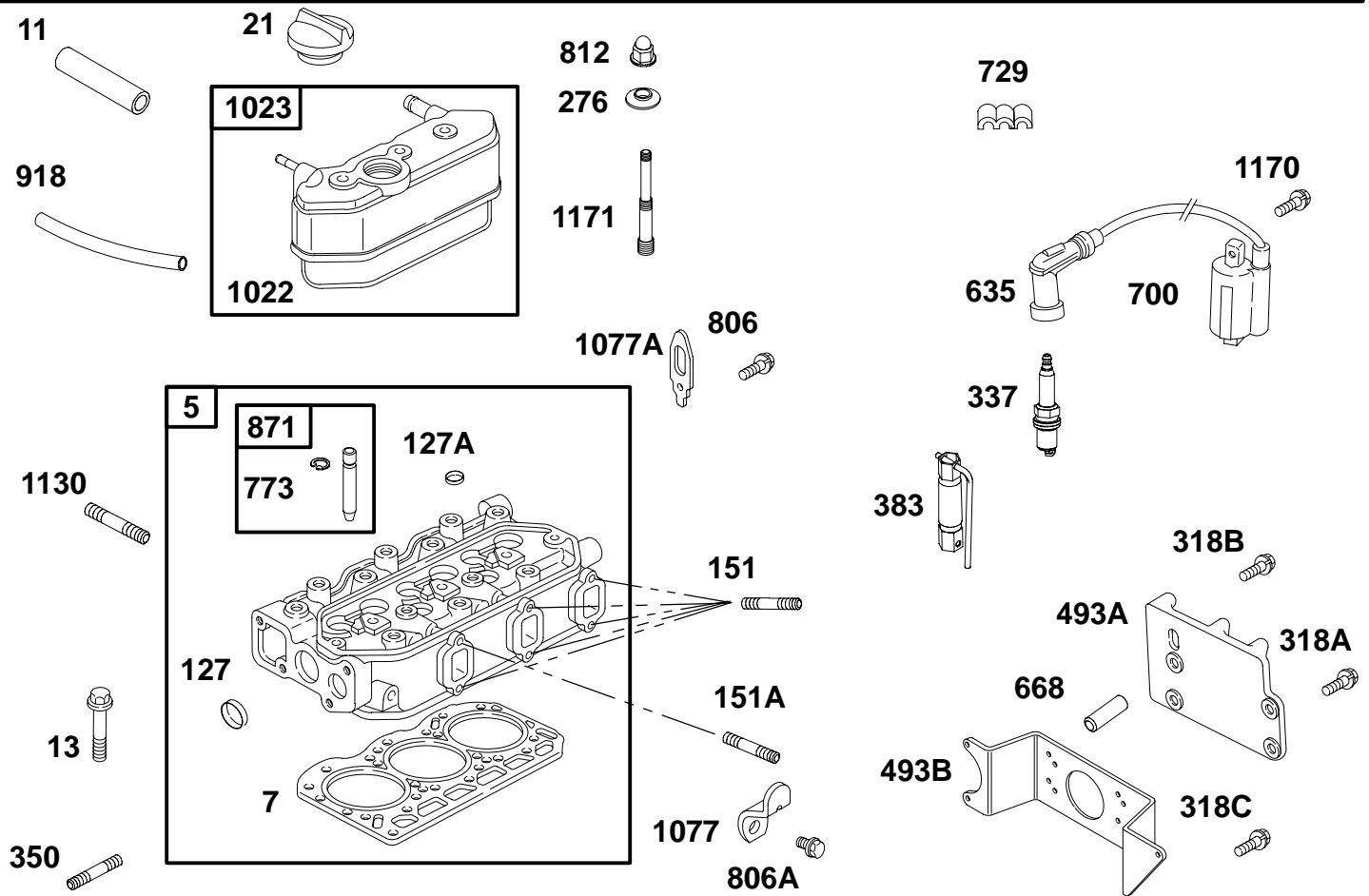


REF. NO.	PART NO.	DESCRIPTION	REF. NO.	PART NO.	DESCRIPTION	REF. NO.	PART NO.	DESCRIPTION
16	825552	Crankshaft	354	820073	Nut (Connecting Rod)	1044	820080	Screw (Flywheel)
23	825303	Flywheel Used on Type No(s). 0205.	598	820140	Shim-Endplay (Crankshaft) (Standard)	1072	820081	Screw (Idle Gear Plate)
23A	825071	Flywheel Used on Type No(s). 0210.	----- <b>Note</b> -----			1073	820117	Plate-Idle Gear
25	825203	Piston Assembly (Standard)	820139	Shim- Endplay (Crankshaft) (.005" Oversize)	1075	820236	Pulley-Crankshaft	
		----- <b>Note</b> -----	653	820079	Screw (Crankshaft Pulley)	1076	820142	Bearing/STD-Rod
		825204 Piston Assembly (.010" Oversize)	718C	820059	Pin-Locating	1096	820131	Screw (Flywheel Housing)
26	825036	Ring Set (Standard)	746	820611	Gear-Idler	1242	825019	Bearing Set/STD-Rod
		----- <b>Note</b> -----	747	820248	Housing-Flywheel (SAE)	1243	825060	Bearing Set/010-Rod
		825034 Ring Set (.010" Oversize)			Used on Type No(s). 0210.	1355	825040	Bearing Set/STD-Main
29	825033	Rod-Connecting	900	820116	Shaft-Gear	1356	825039	Bearing Set/010-Main
32	820128	Screw (Connecting Rod)	1009	820451	Screw (Starter Motor) (Used on SAE Flywheel Housing)			

★ Engine Gasket Set - Reference 358  
MS0750 REPAIR MANUAL

△ Valve Gasket Set - Reference 1095

# 584400

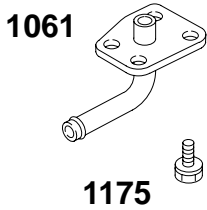
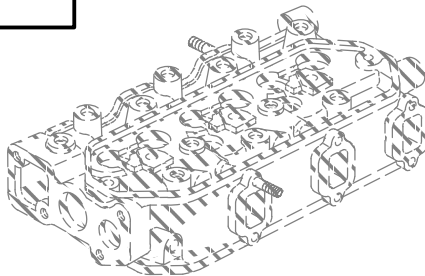
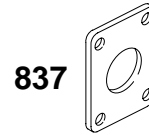
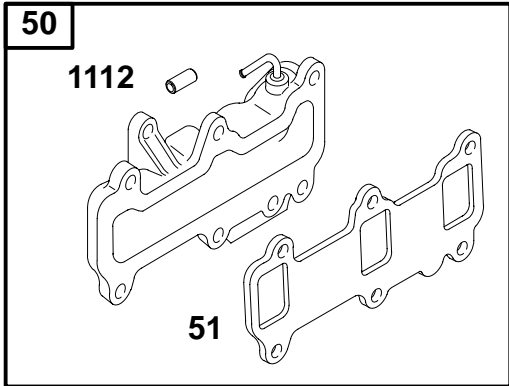


REF. NO.	PART NO.	DESCRIPTION	REF. NO.	PART NO.	DESCRIPTION	REF. NO.	PART NO.	DESCRIPTION
5	825674	Head-Cylinder	318C	820273	Screw (Mounting Bracket)	812	820071	Nut (Rocker Cover)
7	★Δ820648	Gasket-Cylinder Head			Used on Type No(s). 0205.	871	825030	Bushing-Valve Guide
11	820886	Tube-Breather	337	491055	Plug-Spark	918	820393	Hose-Vacuum
13	820623	Screw (Cylinder Head)	350	820078	Stud (Water Pump)	1022	★Δ820150	Gasket-Rocker Cover
21	825024	Cap-Oil Fill	383	19374	Wrench-Spark Plug	1023	825277	Cover-Rocker (Order Reference 1019, Label Kit and Reference 1036, Emissions Label for your Model, Type, Trim)
127	820004	Plug-Welch	493A	820083	Bracket-Mounting (Ignition Coil)	1077	820260	Bracket-Lifting
127A	820005	Plug-Welch	493B	820480	Bracket-Mounting (Ignition Coil)	1077A	820254	Bracket-Lifting Used on Type No(s). 0205.
151	820014	Stud (Exhaust Manifold)	635	820084	Boot-Spark Plug	1130	820015	Stud (Intake Manifold)
151A	820466	Stud (Exhaust Manifold)	668	820675	Spacer	1170	820012	Screw (Ignition Coil)
276	★Δ820064	Washer-Sealing (Rocker Cover)	700	820037	Coil-Ignition	1171	820076	Stud (Rocker Cover)
318A	820024	Screw (Mounting Bracket) Used on Type No(s). 0210.	729	820672	Clip-Wire			
318B	820676	Screw (Mounting Bracket) Used on Type No(s). 0205.	773	820130	Retainer (Valve Guide Bushing)			
			806	820212	Screw (Lifting Bracket)			
			806A	820024	Screw (Lifting Bracket)			

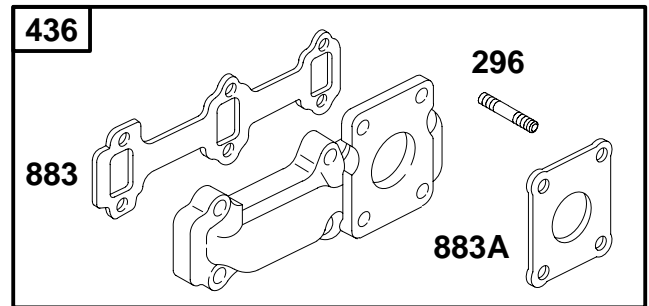
★ Engine Gasket Set - Reference 358  
MS0750 REPAIR MANUAL

Δ Valve Gasket Set - Reference 1095

54  1174 



1176 

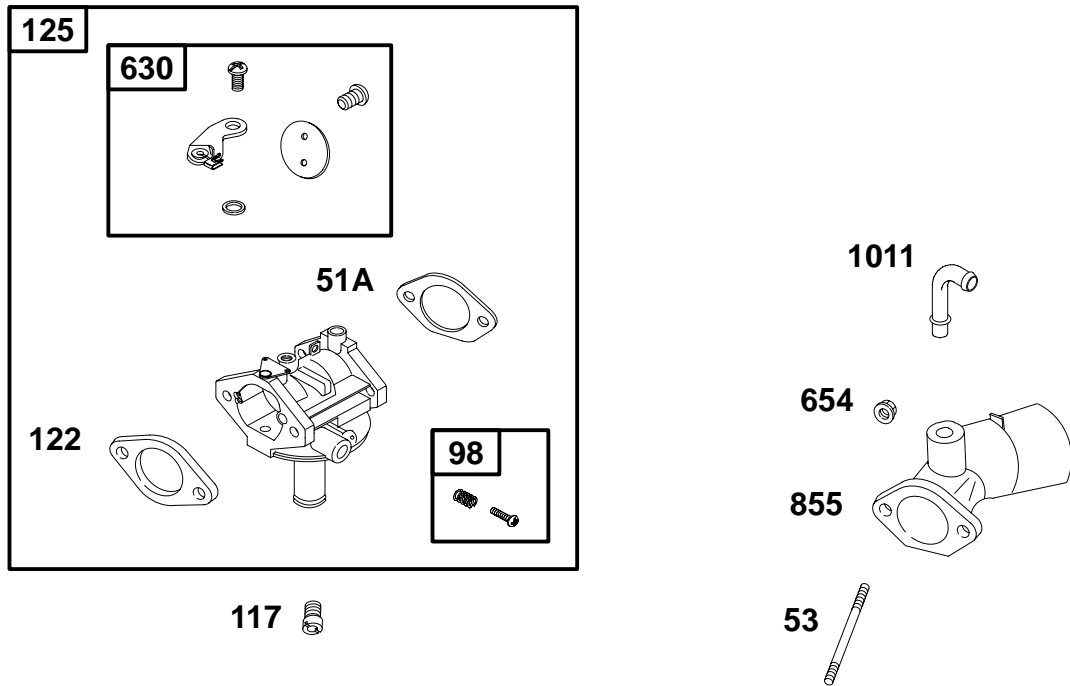


REF. NO.	PART NO.	DESCRIPTION	REF. NO.	PART NO.	DESCRIPTION	REF. NO.	PART NO.	DESCRIPTION
50	825260	Manifold-Intake	436	825055	Manifold-Exhaust	1112	820543	Plug-Vent
51	★820087	Gasket-Intake	837	820867	Spacer-Muffer	1174	820069	Nut (Intake Manifold)
54	820031	Screw (Intake Manifold)	883	★△820817	Gasket-Exhaust (Manifold)	1175	820034	Screw (Outlet Cover)
296	820553	Stud (Muffer)	883A	★821001	Gasket- Exhaust (Muffer)	1176	820010	Nut (Exhaust Manifold)
			1061	820090	Cover-Outlet			

★ Engine Gasket Set - Reference 358  
MS0750 REPAIR MANUAL

△ Valve Gasket Set - Reference 1095

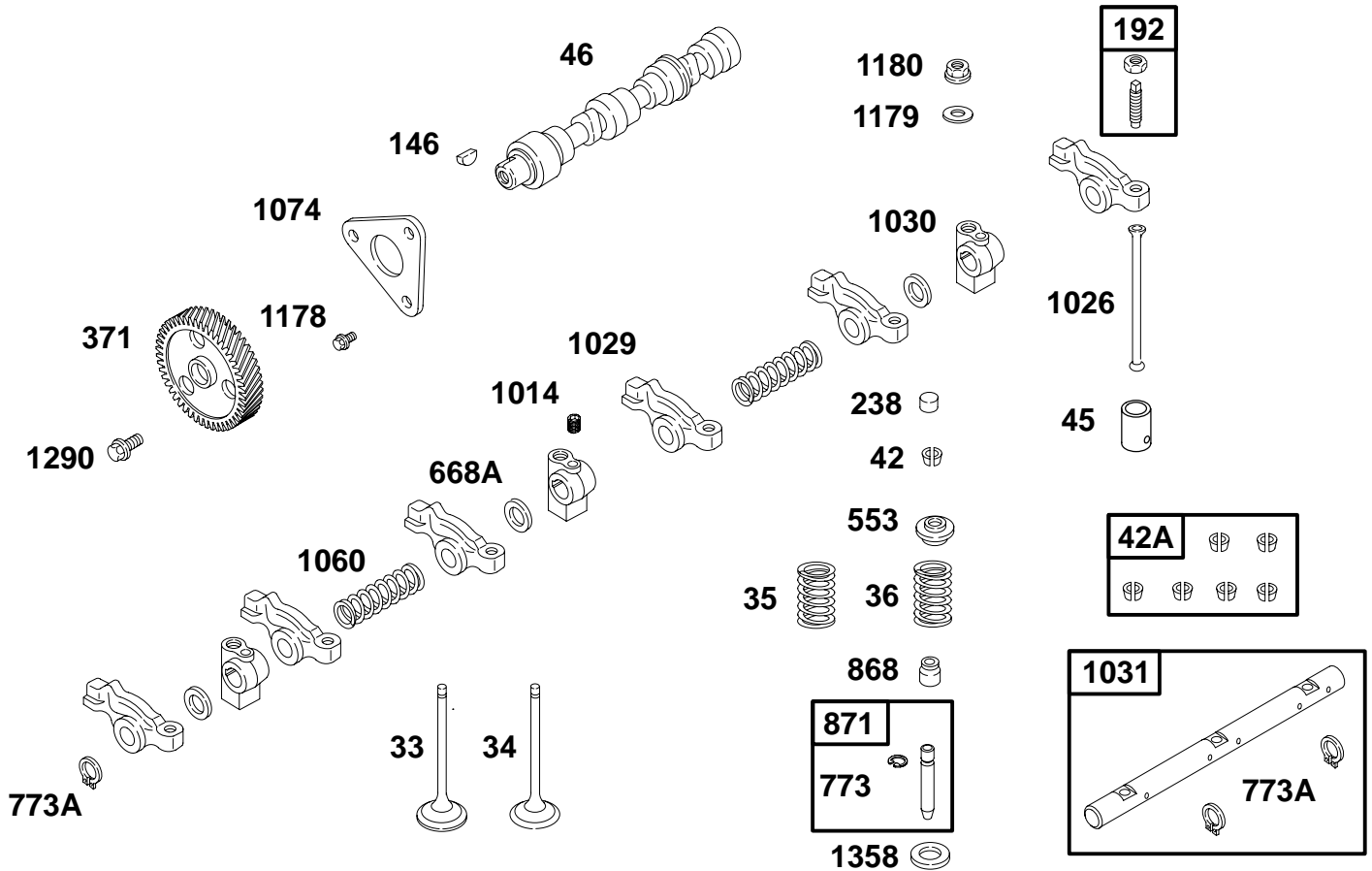
# 584400



REF. NO.	PART NO.	DESCRIPTION	REF. NO.	PART NO.	DESCRIPTION	REF. NO.	PART NO.	DESCRIPTION
51A	★820385	Gasket-Intake	117	820838	Jet-Main (Standard) (#470) Used on Type No(s). 0210.	630	825453	Lever/Plate-Throttle
53	820861	Stud (Carburetor)				654	820011	Nut (Carburetor)
98	825458	Kit-Idle Speed	122	820082	Spacer-Carburetor	855	820578	Adapter-Air Cleaner
			125	825452	Carburetor (Gaseous) (Electronic Governor)	1011	820184	Tube-Vent

★ Engine Gasket Set - Reference 358  
MS0750 REPAIR MANUAL

Δ Valve Gasket Set - Reference 1095

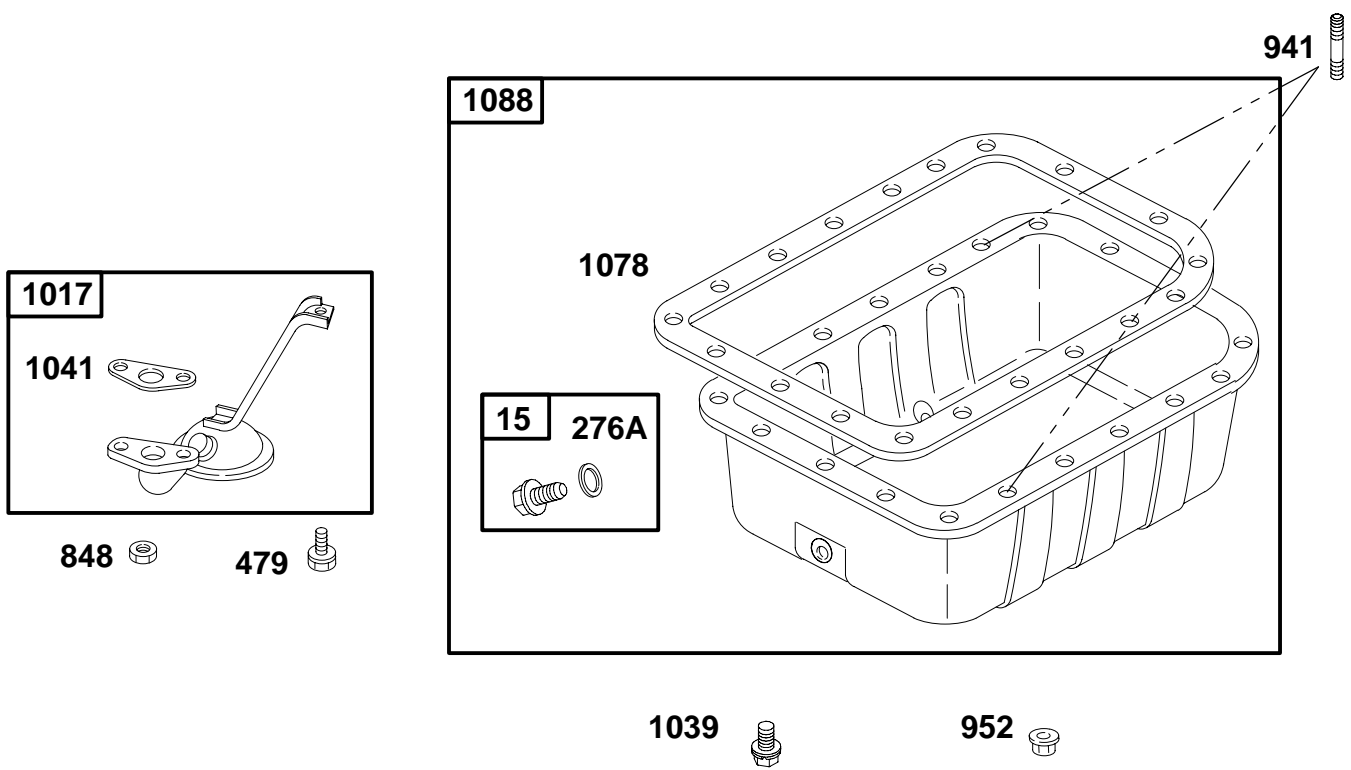


REF. NO.	PART NO.	DESCRIPTION	REF. NO.	PART NO.	DESCRIPTION	REF. NO.	PART NO.	DESCRIPTION
33	820114	Valve-Exhaust	46	820388	Camshaft	868	★820041	Seal-Valve
34	820115	Valve-Intake	146	691639	Key-Timing	871	825030	Bushing-Valve Guide
35	820406	Spring-Valve (Intake) (Used After Code Date 04083100). ----- <b>Note</b> ----- 820043 Spring-Valve (Intake) (Used Before Code Date 04090100).	192	825688	Adjuster-Rocker Arm (Used After Code Date 04083100). ----- <b>Note</b> ----- 825041 Adjuster-Rocker Arm (Used Before Code Date 04090100).	1014	820105	Screw (Rocker Arm Support)
36	820406	Spring-Valve (Exhaust) (Used After Code Date 04083100). ----- <b>Note</b> ----- 820043 Spring-Valve (Exhaust) (Used Before Code Date 04090100).	238	821214	Cap-Valve (Used After Code Date 04083100). ----- <b>Note</b> ----- 820113 Cap-Valve (Used Before Code Date 04090100).	1026	821218	Rod-Push (Used After Code Date 04083100). ----- <b>Note</b> ----- 820422 Rod-Push (Used Before Code Date 04090100).
42	825042	Keeper-Valve (Contains 1 Set)	371	820613	Gear-Cam	1029	820387	Arm-Rocker
42A	825082	Keeper-Valve (Contains 6 Sets)	553	820111	Retainer-Valve Spring	1030	820106	Support-Rocker Arm
45	820110	Tappet-Valve	668A	820065	Spacer (Rocker Arm Shaft)	1031	825093	Shaft-Rocker Arm
			773	820130	Retainer (Valve Guide Bushing)	1060	820044	Spring-Rocker Shaft
			773A	820003	Retainer (Rocker Arm Shaft)	1074	820118	Retainer-Camshaft
						1178	820032	Screw (Camshaft Retainer)
						1179	820177	Washer (Rocker Arm Support)
						1180	820070	Nut (Rocker Arm Support)
						1290	820075	Screw (Cam Gear)
						1358	820112	Seat-Valve Spring

★ Engine Gasket Set - Reference 358  
MS0750 REPAIR MANUAL

Δ Valve Gasket Set - Reference 1095

# 584400

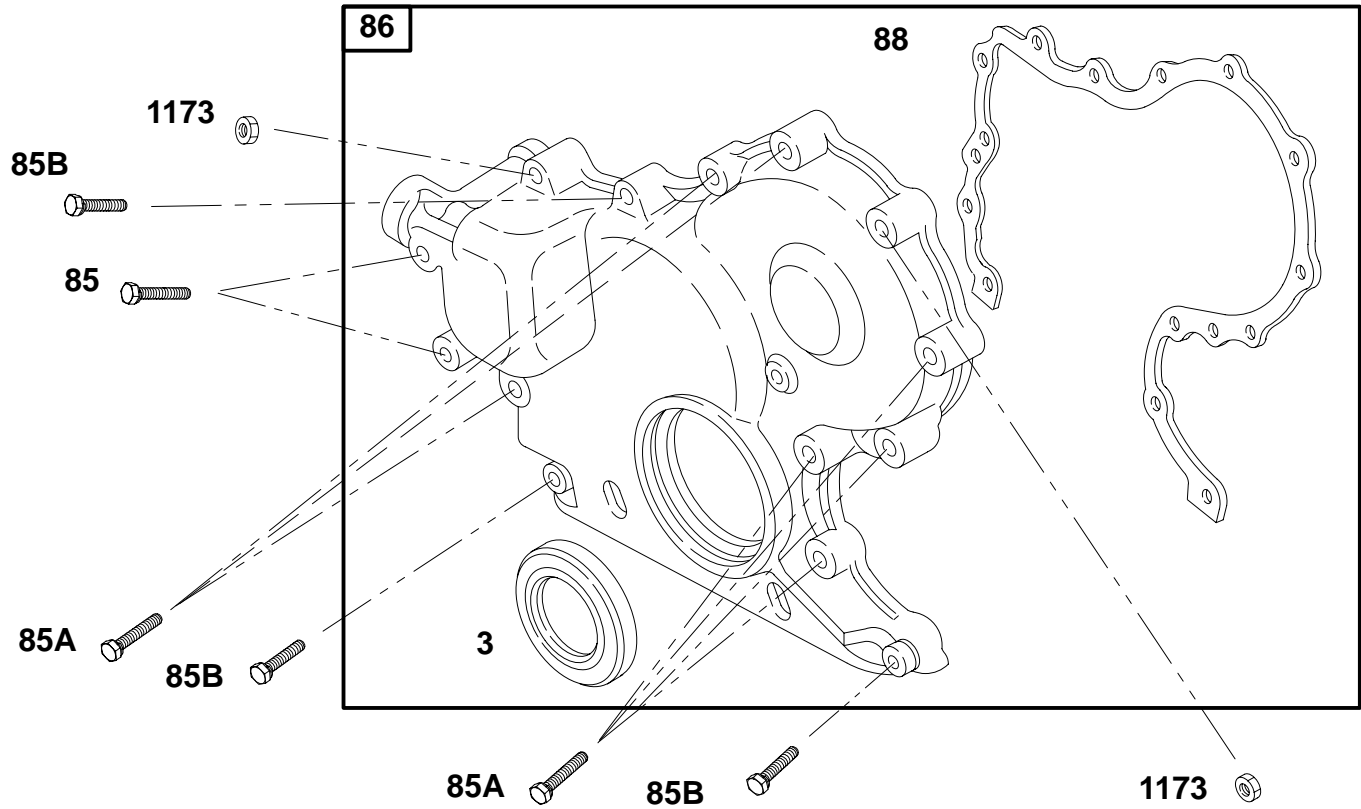


REF. NO.	PART NO.	DESCRIPTION	REF. NO.	PART NO.	DESCRIPTION	REF. NO.	PART NO.	DESCRIPTION
15	825278	Plug–Oil Drain (16 mm)	479	820034	Screw (Oil Pump Screen)	1017	825089	Screen–Oil Pump
276A	★820582	Washer–Sealing (Oil Drain Plug) (16 mm)	848	820069	Nut (Oil Pump Screen)	1039	820034	Screw (Oil Pan)
			941	820017	Stud (Oil Pan)	1041	★820104	Gasket–Oil Pump Screen
			952	820068	Nut (Oil Pan)	1078	★820137	Gasket–Oil Pan
						1088	825285	Pan–Oil (Dual Drain) (16 mm)

★ Engine Gasket Set – Reference 358 MS0750 REPAIR MANUAL

Δ Valve Gasket Set – Reference 1095



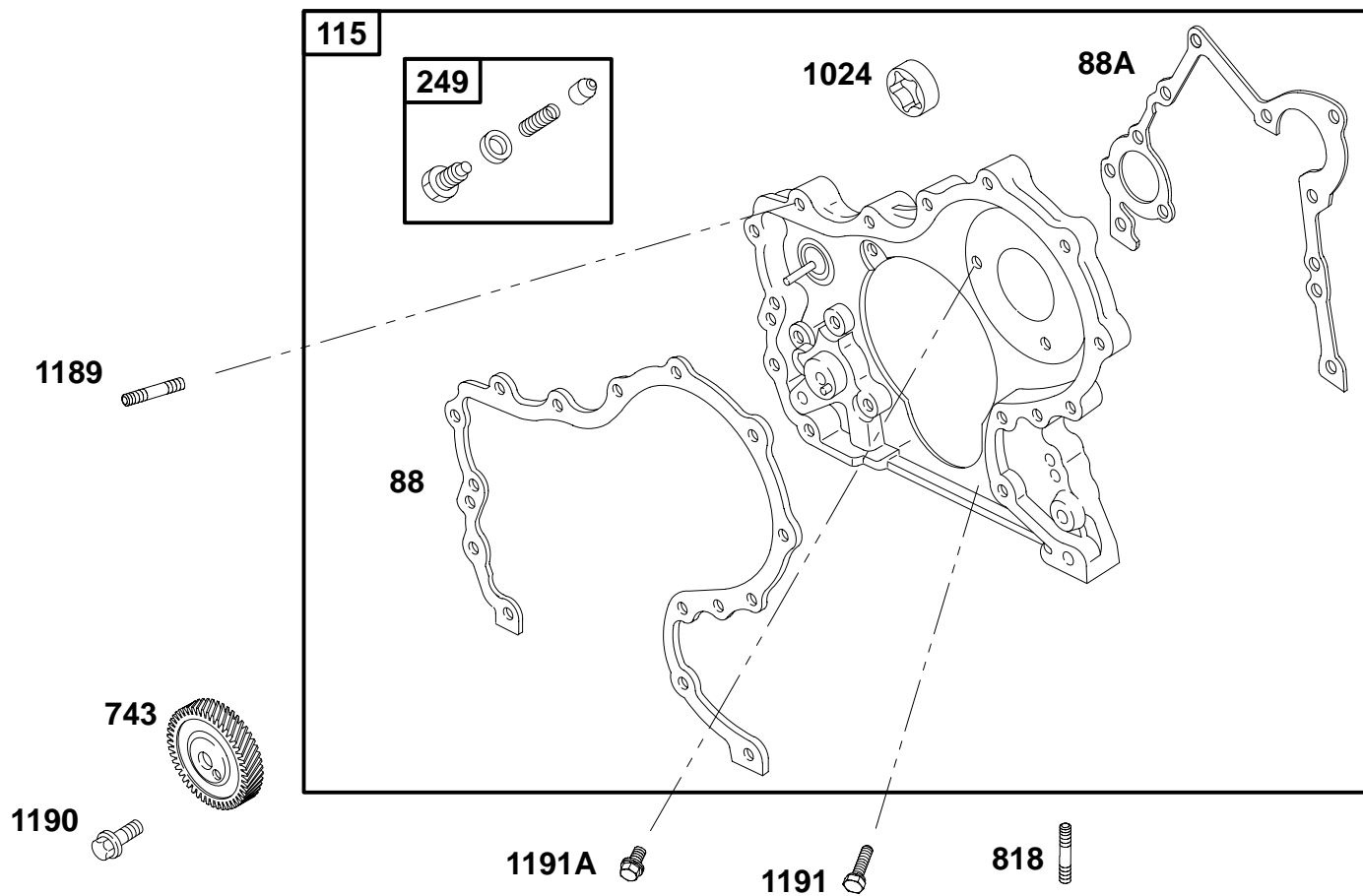


REF. NO.	PART NO.	DESCRIPTION	REF. NO.	PART NO.	DESCRIPTION	REF. NO.	PART NO.	DESCRIPTION
3	★821071	Seal-Oil (Magneto Side)	85	820026	Screw (Gear Cover to Gear Reduction Case)	86	825119	Cover-Gear
			85A	820029	Screw (Gear Cover to Gear Reduction Case)	88	★820148	Gasket-Gear Reduction Cover
			85B	820027	Screw (Gear Cover to Gear Reduction Case)	1173	820069	Nut (Gear Cover)

★ Engine Gasket Set – Reference 358  
MS0750 REPAIR MANUAL

Δ Valve Gasket Set – Reference 1095

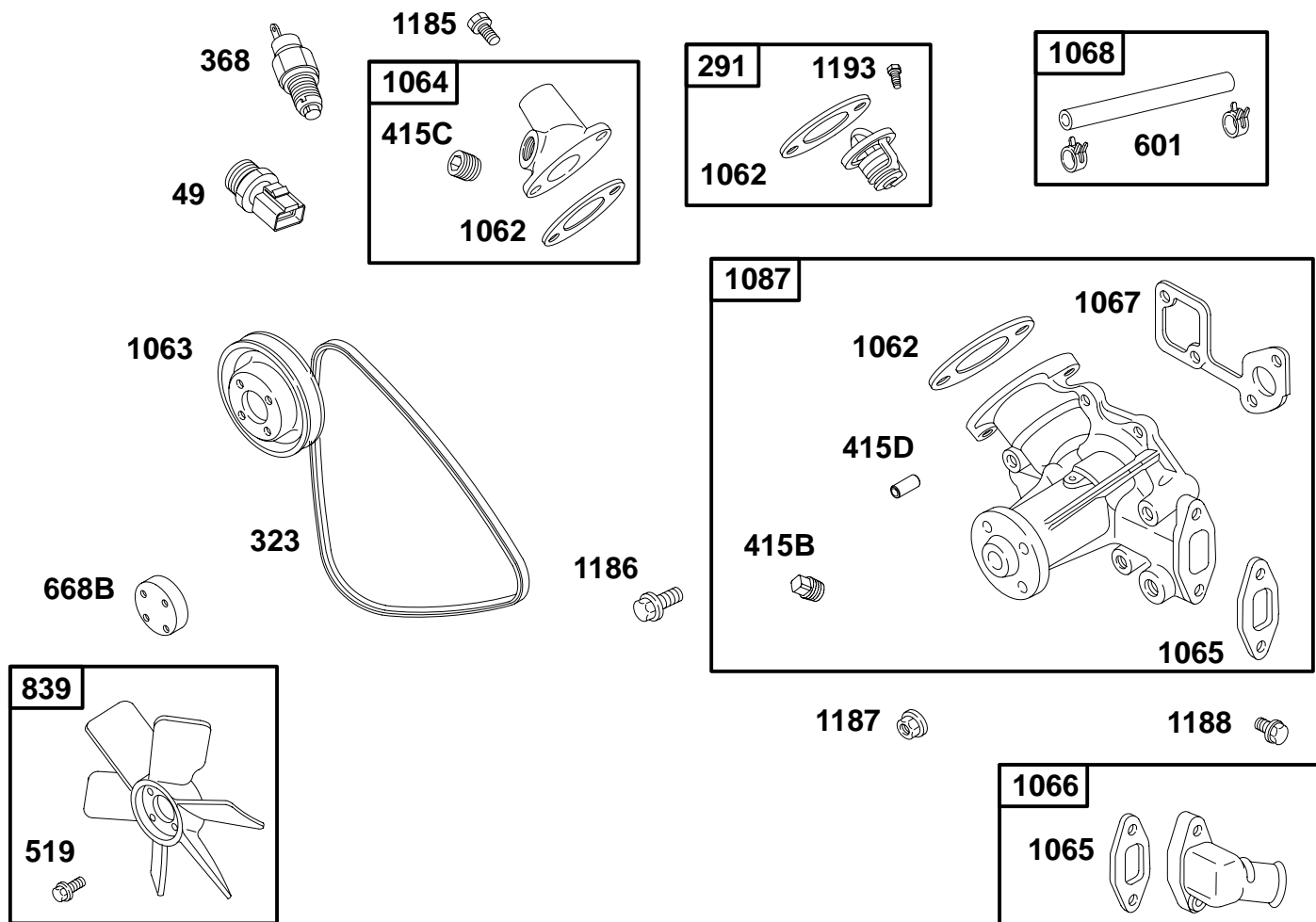
# 584400



REF. NO.	PART NO.	DESCRIPTION	REF. NO.	PART NO.	DESCRIPTION	REF. NO.	PART NO.	DESCRIPTION
88	★820148	Gasket-Gear Reduction Cover	743	820615	Gear-Drive	1190	820180	Screw (Drive Gear)
88A	★820155	Gasket-Gear Reduction Cover	818	820016	Stud (Oil Pump Screen)	1191	820030	Screw (Gear Housing)
115	825120	Housing-Gear	1024		Pump-Oil (Sold in Gear Housing Only, Reference 115)	1191A	820033	Screw (Gear Housing)
249	825032	Valve-Pressure Relief	1189	820156	Stud (Gear Housing)			

★ Engine Gasket Set - Reference 358  
MS0750 REPAIR MANUAL

Δ Valve Gasket Set - Reference 1095

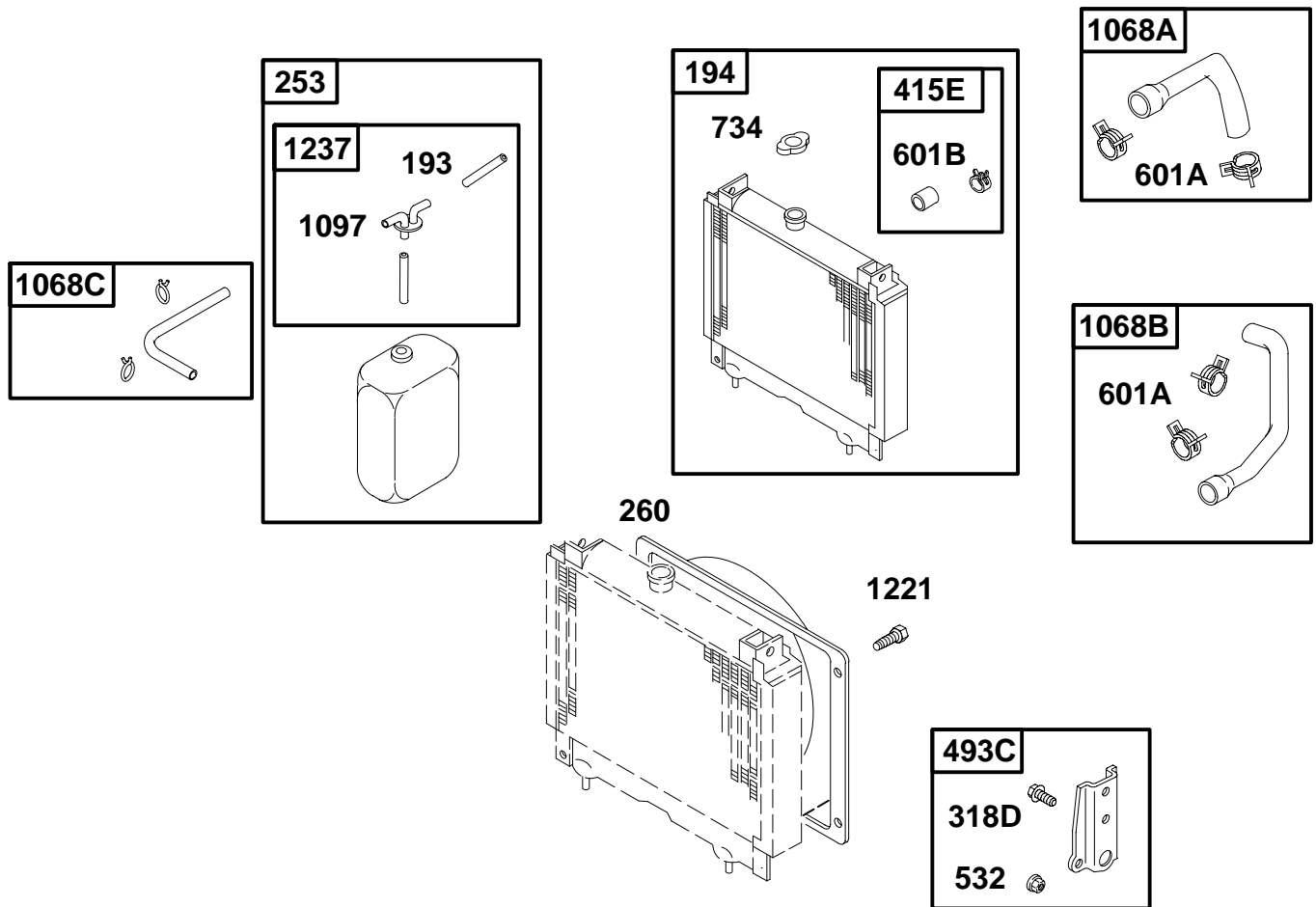


REF. NO.	PART NO.	DESCRIPTION	REF. NO.	PART NO.	DESCRIPTION	REF. NO.	PART NO.	DESCRIPTION
49	820590	Sensor-Water Temperature	601	820045	Clamp-Hose	1062	★820093	Gasket-Outlet Housing
291	825064	Thermostat	668B	820218	Spacer (Radiator Fan) Used on Type No(s). 0210.	1063	820095	Pulley-Pump
323	821075	Belt-Vee				1064	825074	Housing-Outlet
368	820208	Switch-Water Temperature	839	825443	Fan-Radiator Used on Type No(s). 0210.	1065	★820098	Gasket-Inlet Housing
415B	820182	Plug (Water Pump)				1066	825051	Housing-Inlet
415C	820052	Plug (Outlet Housing)				1067	★820100	Gasket-Water Pump
415D	821017	Plug (Water Pump)				1068	825045	Hose/Clamp Assembly
519	820030	Screw (Radiator Fan) Used on Type No(s). 0210.				1087	825275	Pump-Water
		----- <b>Note</b> -----				1185	820031	Screw (Outlet Housing)
		820034 Screw (Radiator Fan) Used on Type No(s). 0205.				1186	820022	Screw (Water Pump)
						1187	820181	Nut (Water Pump)
						1188	820031	Screw (Inlet Housing)
						1193	820185	Screw (Thermostat)

★ Engine Gasket Set - Reference 358 MS0750 REPAIR MANUAL

Δ Valve Gasket Set - Reference 1095

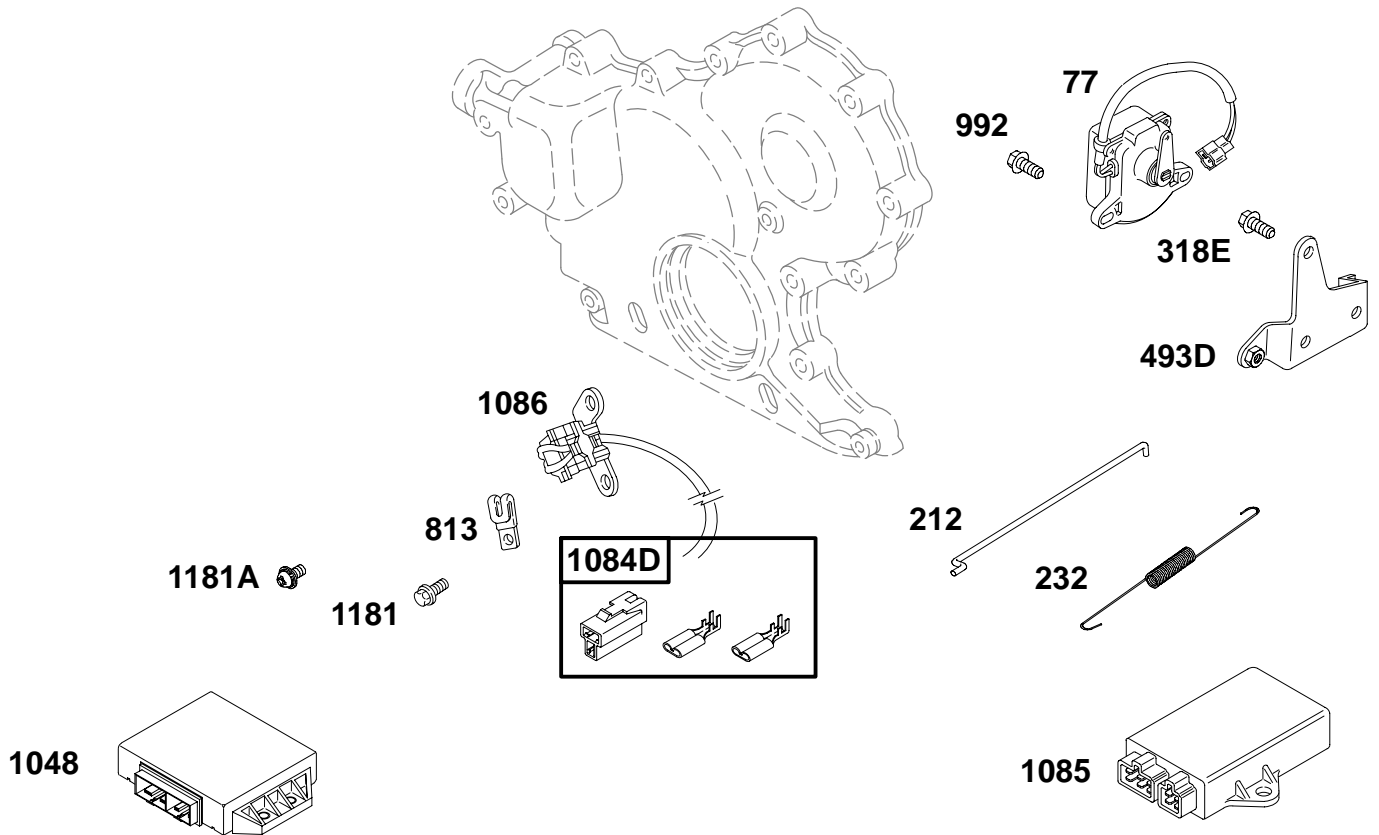
# 584400



REF. NO.	PART NO.	DESCRIPTION	REF. NO.	PART NO.	DESCRIPTION	REF. NO.	PART NO.	DESCRIPTION
193	820597	Hose-Reserve Tank (660mm Hose)	532	820011	Nut (Mounting Bracket)	1068A	825134	Hose/Clamp Assembly
194	825068	Radiator	601A	820256	Clamp-Hose	1068B	825133	Hose/Clamp Assembly
253	825462	Tank-Reserve	601B	820201	Clamp-Hose	1068C	825296	Hose/Clamp Assembly (500mm Hose)
260	820863	Shroud-Fan	734	820258	Cap-Radiator	1097	820287	Cap-Surge Tank
318D	820034	Screw (Mounting Bracket)				1221	820865	Screw (Fan Shroud)
415E	825075	Plug (Radiator)				1237	825461	Cap/Hose-Reserve
493C	825106	Bracket-Mounting (Radiator)						

★ Engine Gasket Set - Reference 358  
MS0750 REPAIR MANUAL

△ Valve Gasket Set - Reference 1095



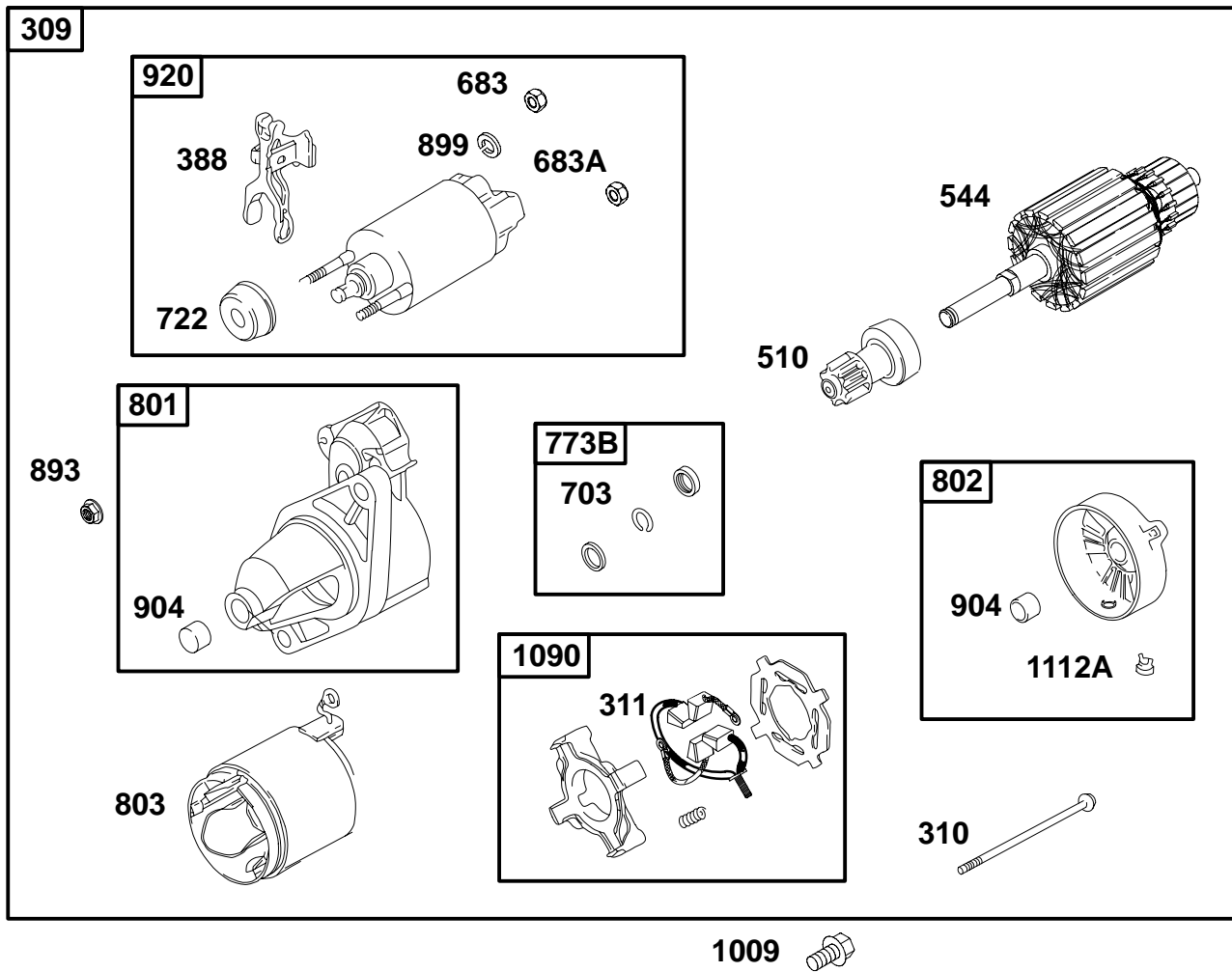
REF. NO.	PART NO.	DESCRIPTION	REF. NO.	PART NO.	DESCRIPTION	REF. NO.	PART NO.	DESCRIPTION
77	820209	Motor-Servo	813	820047	Clamp (Ignition Trigger)	1085	825572	Module-Ignition
212	820226	Link-Throttle	992	820228	Screw (Servo Motor)	1086	825009	Trigger-Ignition
232	820227	Spring-Governor Link	1048	825608	Module-Electronic Governor (Diode and Instructions Included) Used on Type No(s). 0210.	1181	820029	Screw (Ignition Trigger)
318E	820034	Screw (Mounting Bracket)				1181A	820013	Screw (Ignition Trigger)
493D	820876	Bracket-Mounting (Servo Motor)	1084D	825157	Connector-Terminal			

★ Engine Gasket Set - Reference 358  
MS0750 REPAIR MANUAL

△ Valve Gasket Set - Reference 1095

**584400**

**0.8 KW RED LABEL**

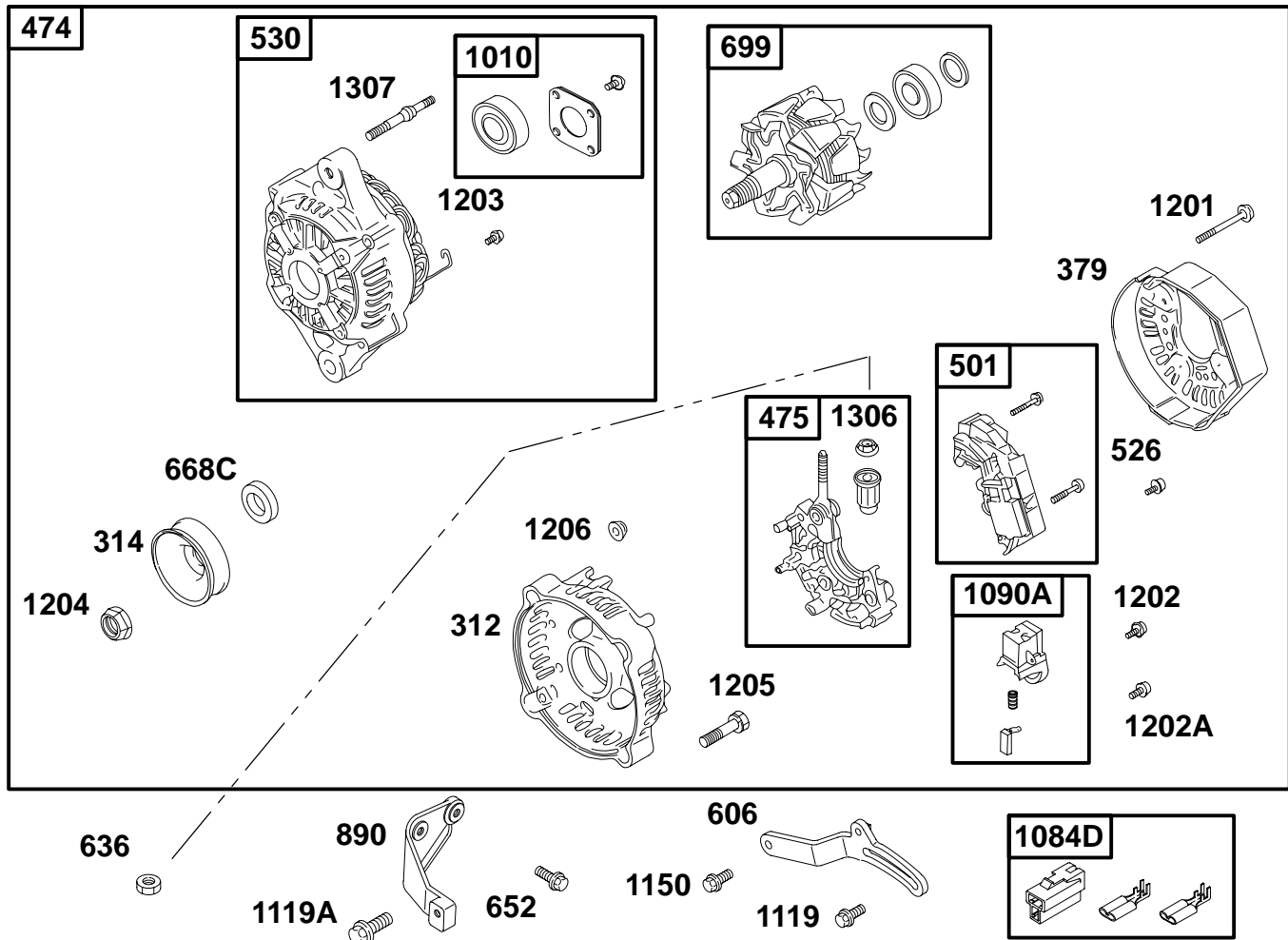


REF. NO.	PART NO.	DESCRIPTION	REF. NO.	PART NO.	DESCRIPTION	REF. NO.	PART NO.	DESCRIPTION
309	825095	Motor-Starter	703	820803	Clip	904	820793	Bearing-Needle
310	820807	Screw (Starter Motor)	722	820801	Seal-Plunger	920	825418	Solenoid-Starter
311	825411	Brush Set	773B	825420	Retainer (Starter Drive)	1009	820451	Screw (Starter Motor) (Used on SAE Flywheel Housing)
388	820799	Lever-Pinion Drive	801	820791	Cap-Drive	1090	825412	Retainer-Brush
510	820789	Drive-Starter	802	825416	Cap-End	1112A	820797	Plug-Vent
544	825414	Armature-Starter	803	820783	Housing-Starter			
683	820813	Nut (Starter Solenoid) (Terminal)	893	820805	Nut (Starter Solenoid)			
683A	820809	Nut (Starter Solenoid) (Terminal)	899	820811	Washer (Starter Solenoid) (Terminal)			

★ Engine Gasket Set - Reference 358  
MS0750 REPAIR MANUAL

△ Valve Gasket Set - Reference 1095

40 AMP

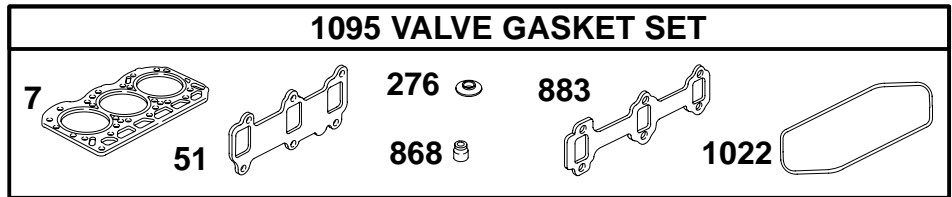
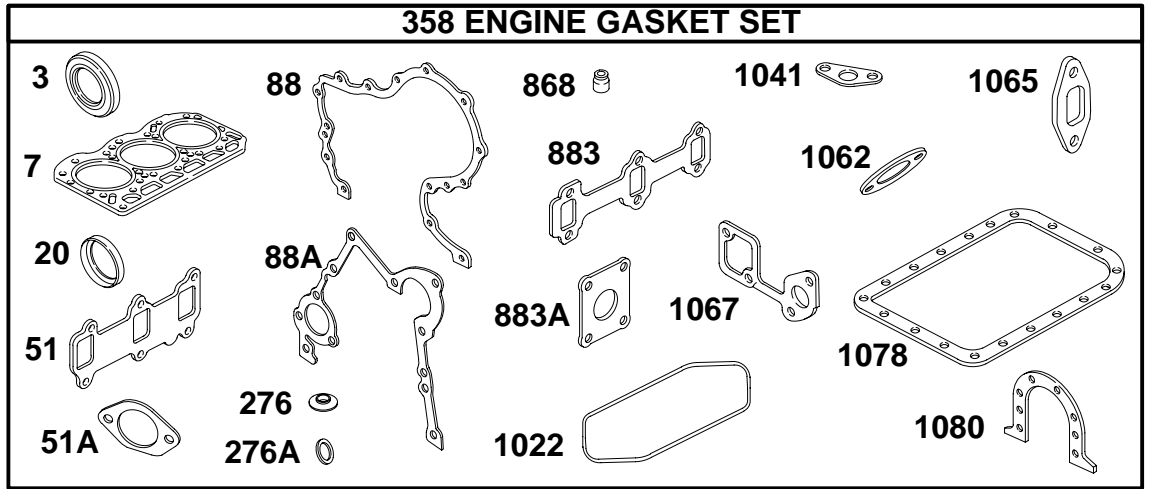
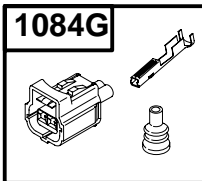
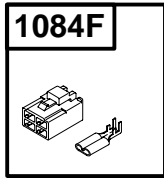
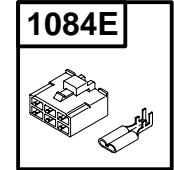
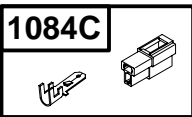
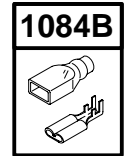
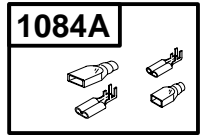
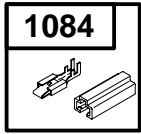


REF. NO.	PART NO.	DESCRIPTION	REF. NO.	PART NO.	DESCRIPTION	REF. NO.	PART NO.	DESCRIPTION
312	820692	Housing-Brush End	668C	820713	Spacer (Alternator)	1201	820715	Screw (Brush Cover)
314	820711	Pulley-Alternator	699	825390	Rotor Assembly	1202	820701	Screw (Brush Retainer)
379	820703	Cover-Brush	890	820213	Bracket-Support	1202A	820702	Screw (Brush Retainer)
474	825084	Alternator	1010	825384	Retainer-Bearing	1203	820702	Screw (Stator Wire)
475	825385	Rectifier	1084D	825157	Connector-Terminal	1204	820705	Nut (Alternator Pulley)
501	825388	Regulator	1090A	825387	Retainer-Brush	1205	820707	Screw (Brush End Housing)
526	820702	Screw (Regulator)	1119	820483	Screw (Alternator)	1206	820709	Nut (Brush End Housing)
530	825383	Housing-Drive End	1119A	820270	Screw (Alternator)	1306	820781	Nut (Rectifier)
606	820819	Strap-Adjusting	1150	820023	Screw (Adjusting Strap)	1307	820690	Stud (Drive End Housing)
636	820069	Nut (Starting Switch)						
652	820275	Screw (Support Bracket)						

★ Engine Gasket Set - Reference 358  
MS0750 REPAIR MANUAL

△ Valve Gasket Set - Reference 1095

# 584400

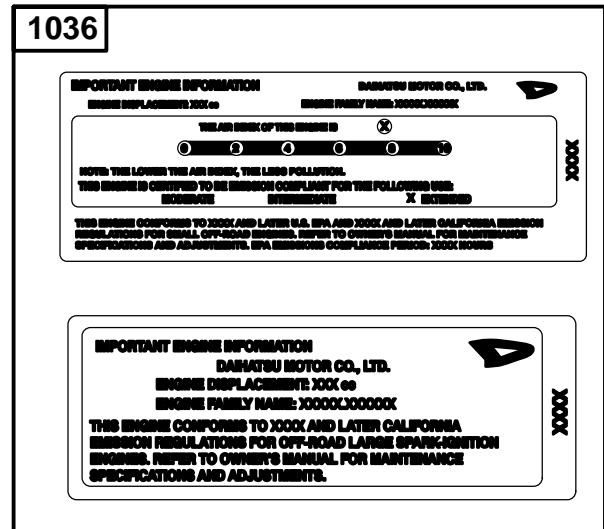
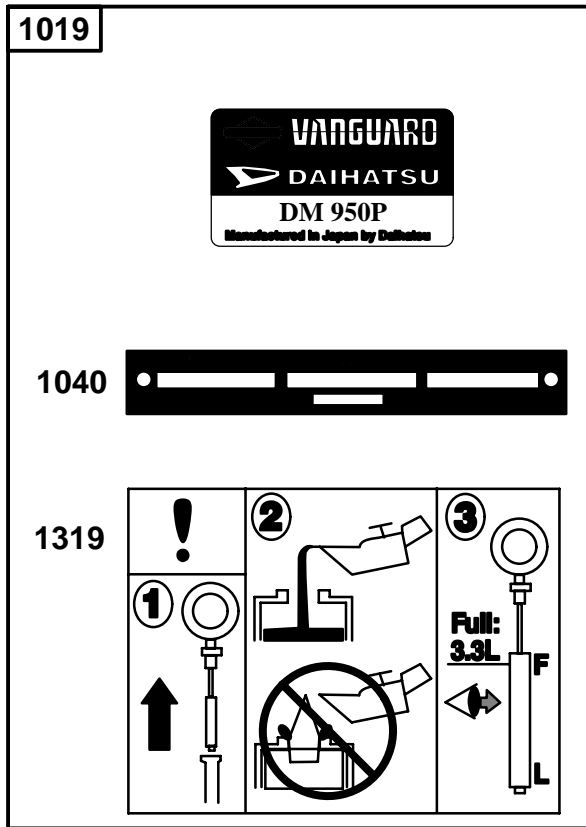


REF. NO.	PART NO.	DESCRIPTION	REF. NO.	PART NO.	DESCRIPTION	REF. NO.	PART NO.	DESCRIPTION
3	★821071	Seal-Oil (Magneto Side)	358	825338	Gasket Set-Engine	1084	825154	Connector-Terminal
7	★Δ820648	Gasket-Cylinder Head	868	★Δ820041	Seal-Valve	1084A	825155	Connector-Terminal
20	★821073	Seal-Oil (PTO Side)	883	★Δ820817	Gasket-Exhaust (Exhaust Manifold)	1084B	825160	Connector-Terminal
51	★Δ820087	Gasket-Intake	883A	★821001	Gasket-Exhaust (Muffler)	1084C	825156	Connector-Terminal
51A	★820385	Gasket-Intake	1022	★Δ820150	Gasket-Rocker Cover	1084E	825162	Connector-Terminal
88	★820148	Gasket -Gear Reduction Cover	1041	★820104	Gasket-Oil Pump Screen	1084F	825163	Connector-Terminal
88A	★820155	Gasket-Gear Reduction Cover	1062	★820093	Gasket-Outlet Housing	1084G	825288	Connector-Terminal
276	★Δ820064	Washer-Sealing (Rocker Cover)	1065	★820098	Gasket-Inlet Housing			Used on Type No(s). 0205.
276A	★820582	Washer-Sealing (Oil Drain Plug) (16 mm)	1067	★820100	Gasket-Water Pump	1095	825339	Gasket Set-Valve
			1078	★820137	Gasket-Oil Pan			
			1080	★820145	Gasket-Seal Retainer			

★ Engine Gasket Set - Reference 358 MS0750 REPAIR MANUAL

Δ Valve Gasket Set - Reference 1095





1058 OPERATOR'S MANUAL

1330 REPAIR MANUAL

REF. NO.	PART NO.	DESCRIPTION	REF. NO.	PART NO.	DESCRIPTION	REF. NO.	PART NO.	DESCRIPTION
1019	825619	Kit-Label	1040	820290	Plate-Trim	1319	820891	Label-Warning
1036	825676	Label-Emissions (Used After Code Date 03123100). ----- <b>Note</b> ----- 825666 Label-Emissions (Used Before Code Date 04010100).	1058	820883	Operator's Manual	1330	MS0750	Repair Manual

★ Engine Gasket Set - Reference 358  
MS0750 REPAIR MANUAL

△ Valve Gasket Set - Reference 1095