

050000

Illustrated Parts List

Model Series

050000

TYPE NUMBERS
0005 THROUGH 0126

TABLE OF CONTENTS

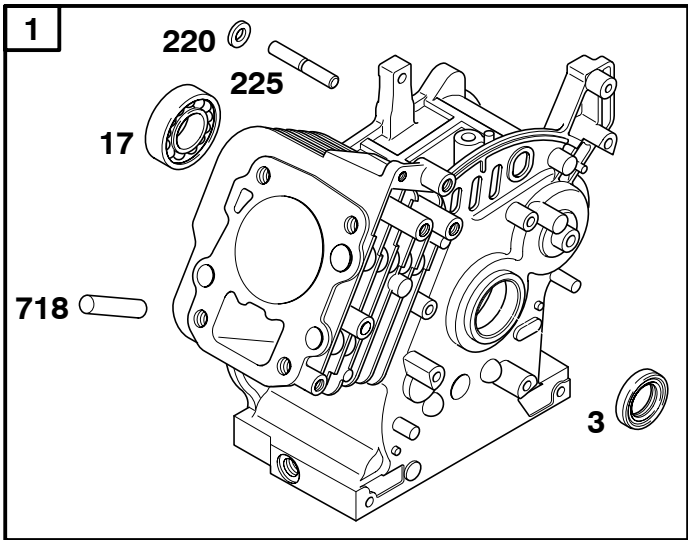
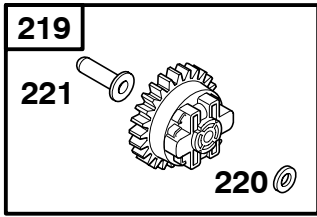
| | |
|--|----|
| Air Cleaner | 6 |
| Blower Housing | 7 |
| Camshaft | 4 |
| Carburetor | 6 |
| Controls | 7 |
| Control Panel | 7 |
| Crankcase Cover | 4 |
| Crankshaft | 4 |
| Cylinder | 2 |
| Exhaust System | 10 |
| Flywheel | 5 |
| Fuel Supply | 8 |
| Gasket Set - Engine | 2 |
| Gasket Set - Valve | 3 |
| Governor Spring | 7 |
| Cylinder Head | 3 |
| Ignition | 5 |
| Oil Sensor Group | 11 |
| Piston, Rings, Connecting Rod | 2 |
| Rewind Starter | 9 |
| Valves | 3 |

PRINTED IN U.S.A.



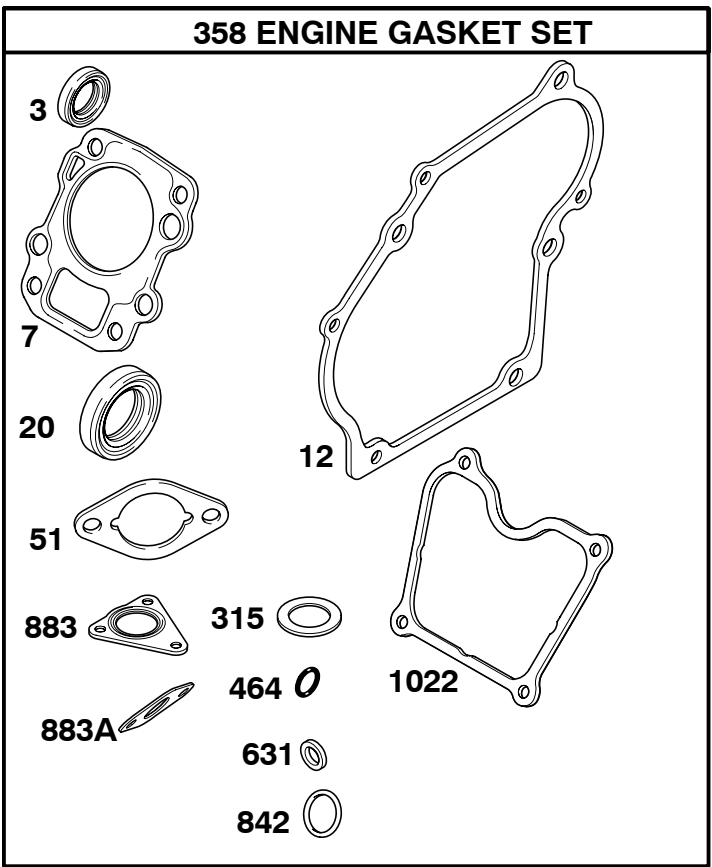
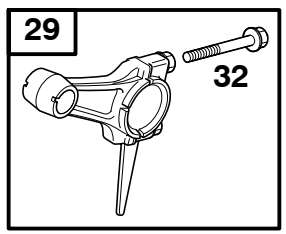
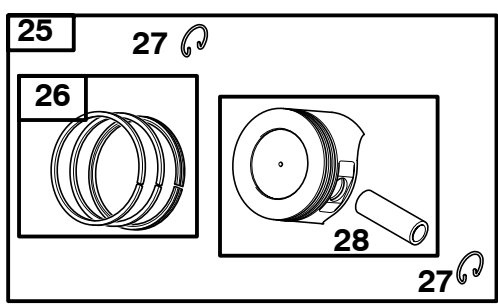
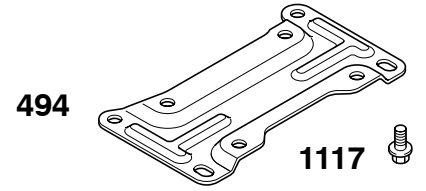
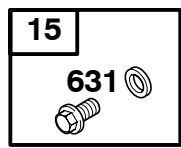
COPYRIGHT by BRIGGS & STRATTON CORPORATION
 All rights reserved. No part of this material may be reproduced or transmitted, in any form or by any means, electronic or mechanical, including photocopying, recording or by any information storage and retrieval system, without permission in writing from Briggs & Stratton Corporation.

050000

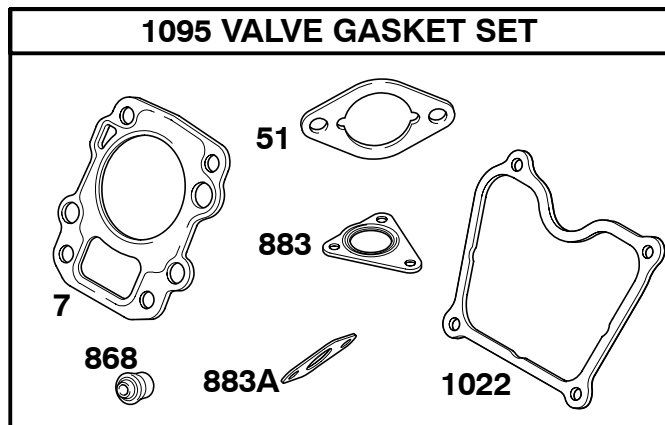
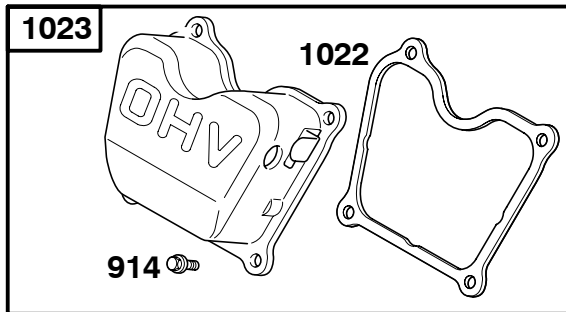
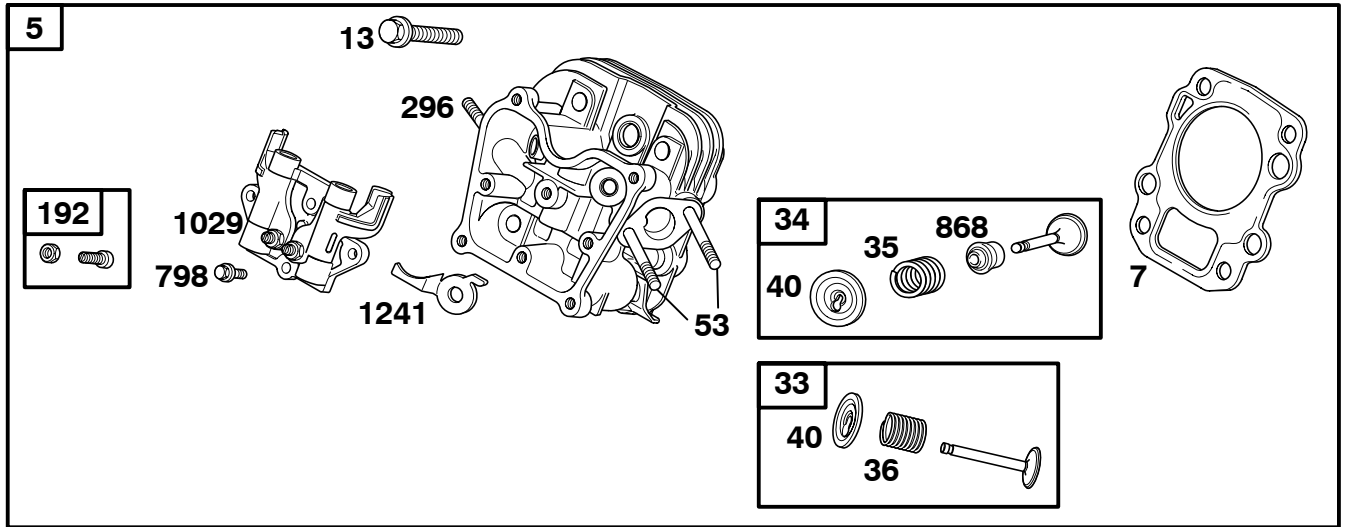


1019 LABEL KIT

1058 OPERATOR'S MANUAL

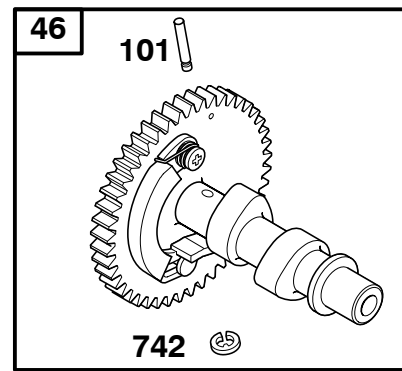
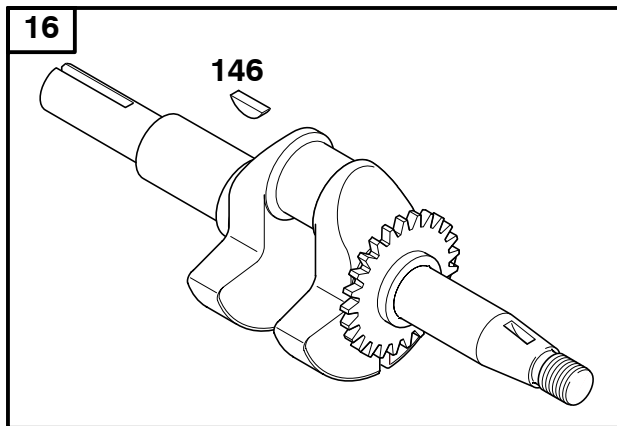
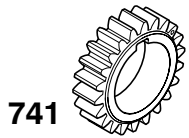
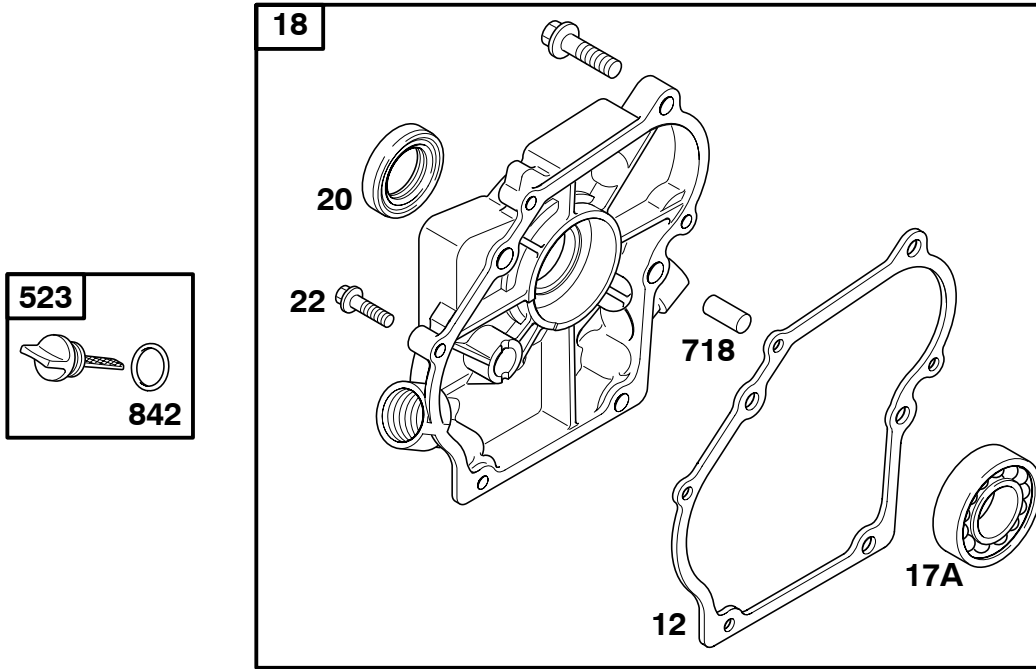


Illustrations cover a range of engines. Parts shown without corresponding text may not be used on your specific engine. Assemblies include all parts shown in frames.

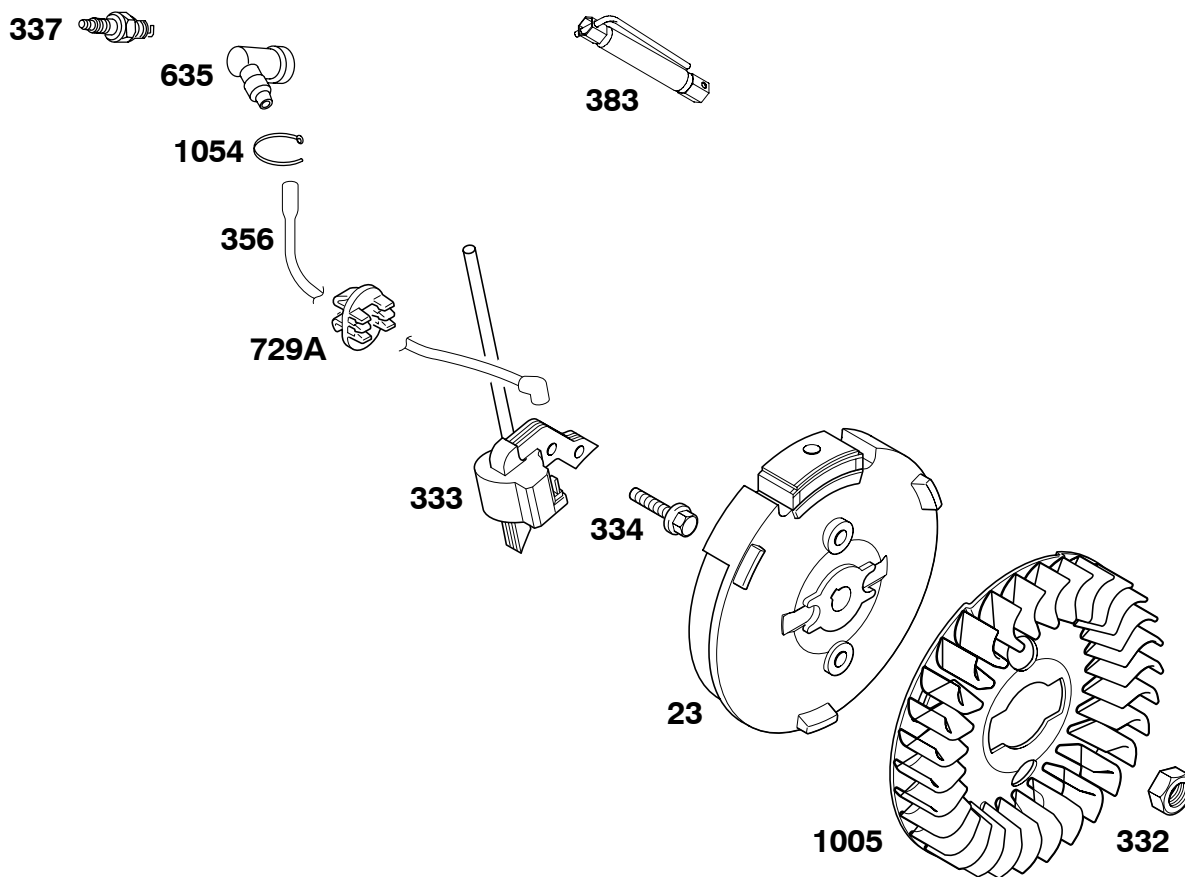


Illustrations cover a range of engines. Parts shown without corresponding text may not be used on your specific engine.
 5359-3 Assemblies include all parts shown in frames.

050000



24



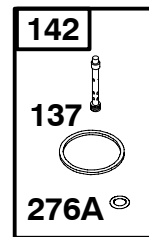
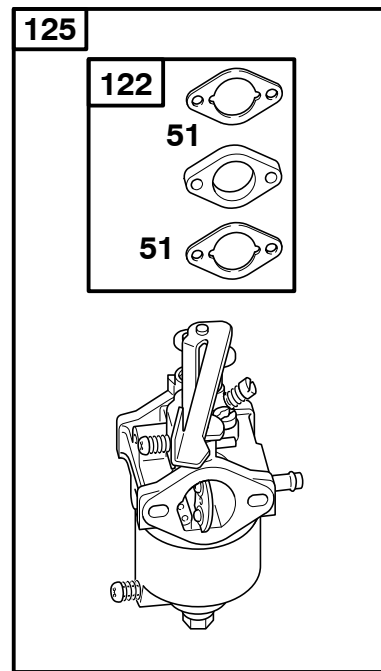
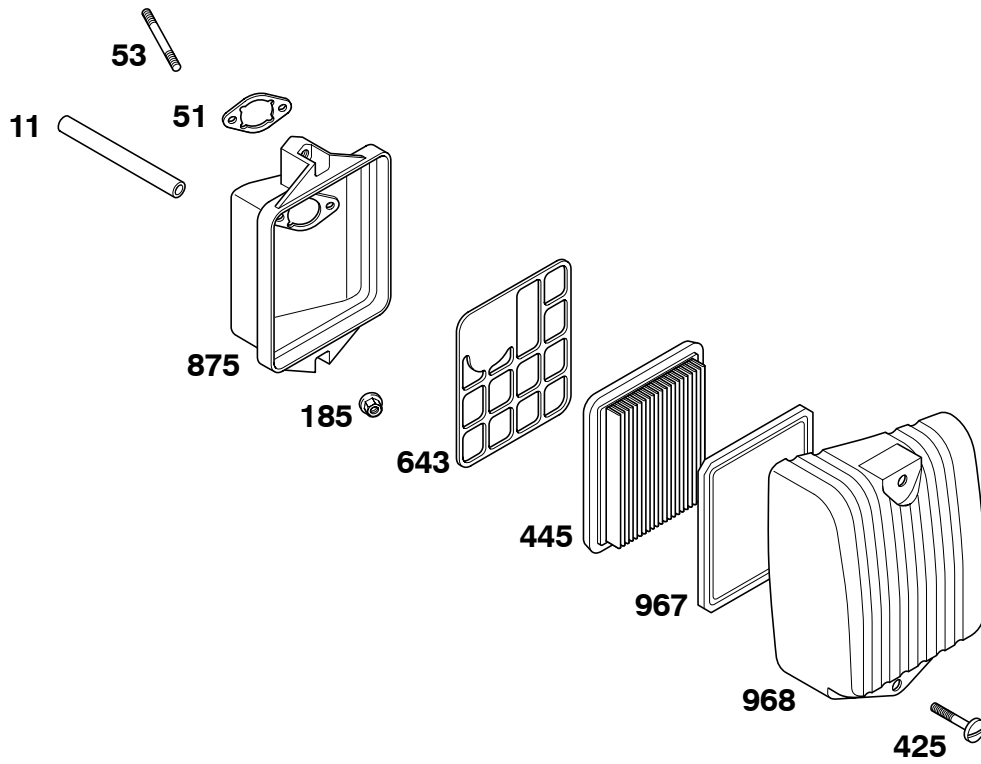
Illustrations cover a range of engines. Parts shown without corresponding text may not be used on your specific engine.

5359-5

Assemblies include all parts shown in frames.

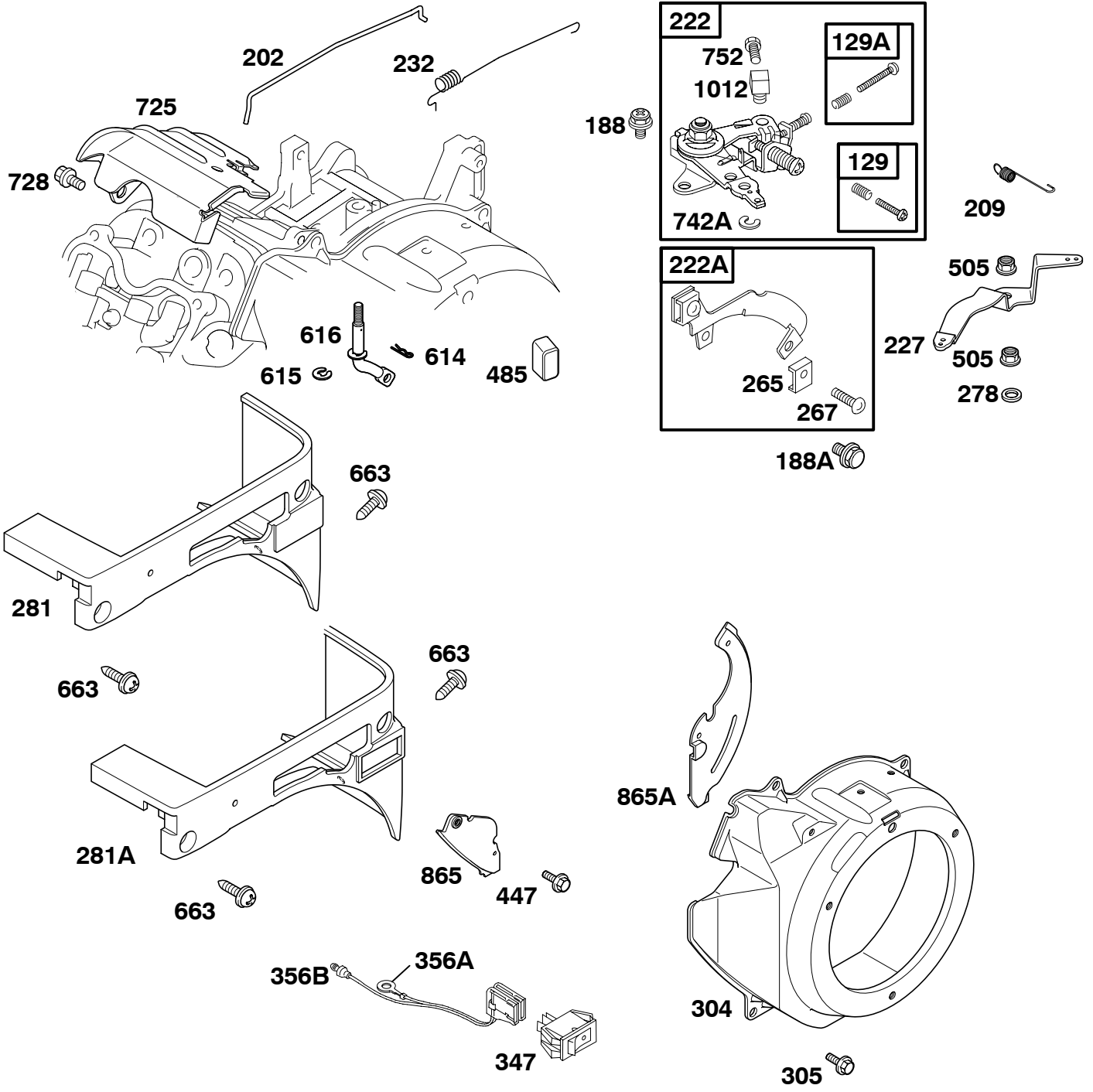
04/22/2005

050000



Illustrations cover a range of engines. Parts shown without corresponding text may not be used on your specific engine.
 5359-6 Assemblies include all parts shown in frames.

04/22/2005



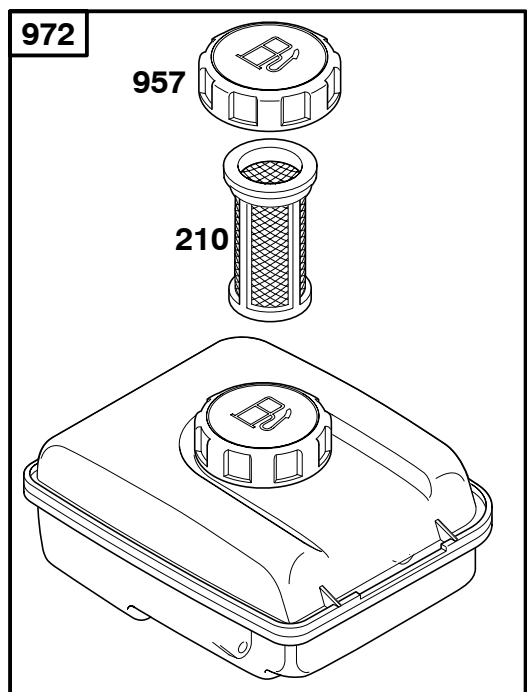
1036 EMISSIONS LABEL

1036A

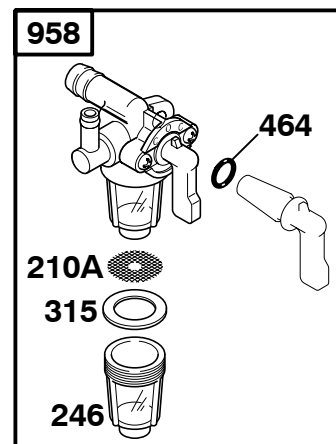
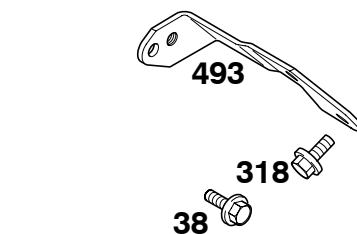
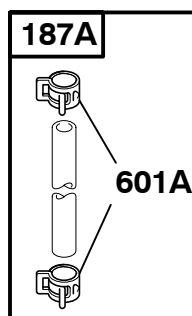
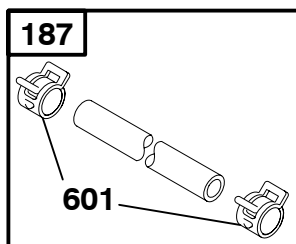


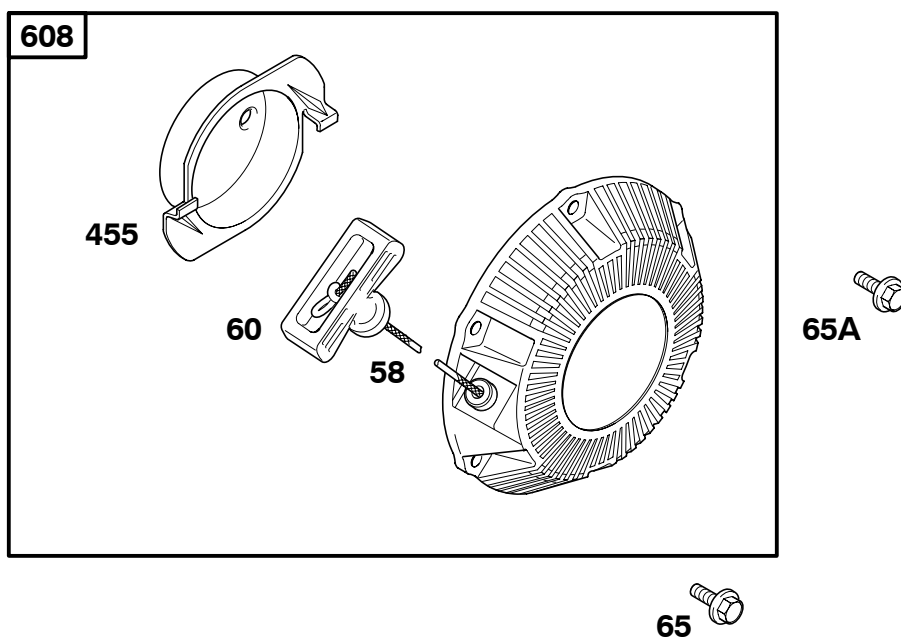
Illustrations cover a range of engines. Parts shown without corresponding text may not be used on your specific engine. 5359-7 Assemblies include all parts shown in frames. 04/22/2005

050000



190 





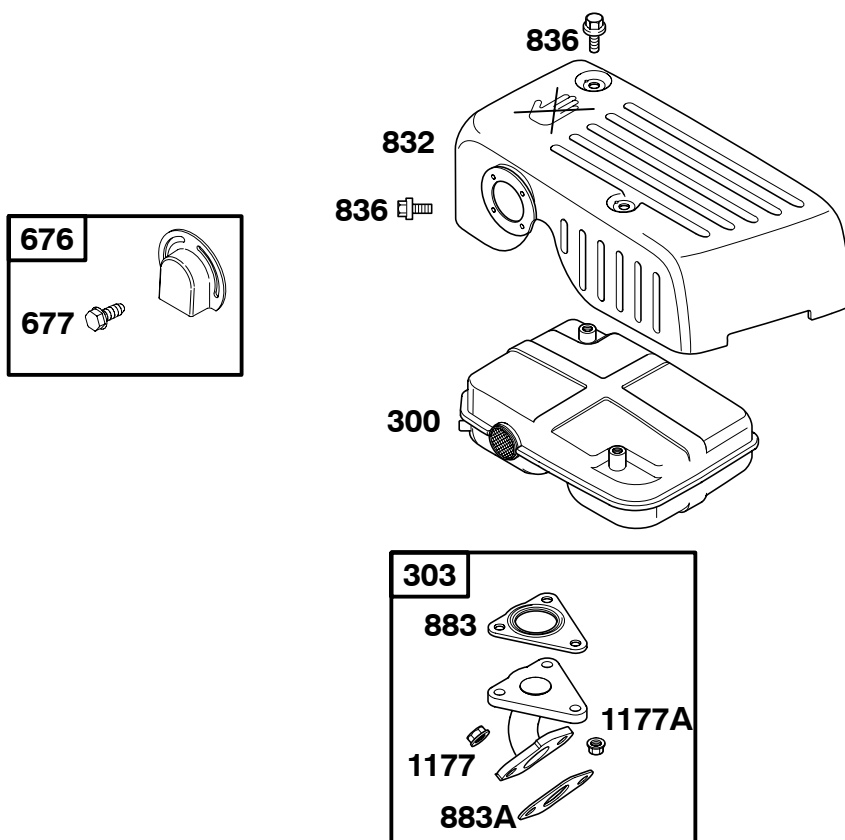
Illustrations cover a range of engines. Parts shown without corresponding text may not be used on your specific engine.

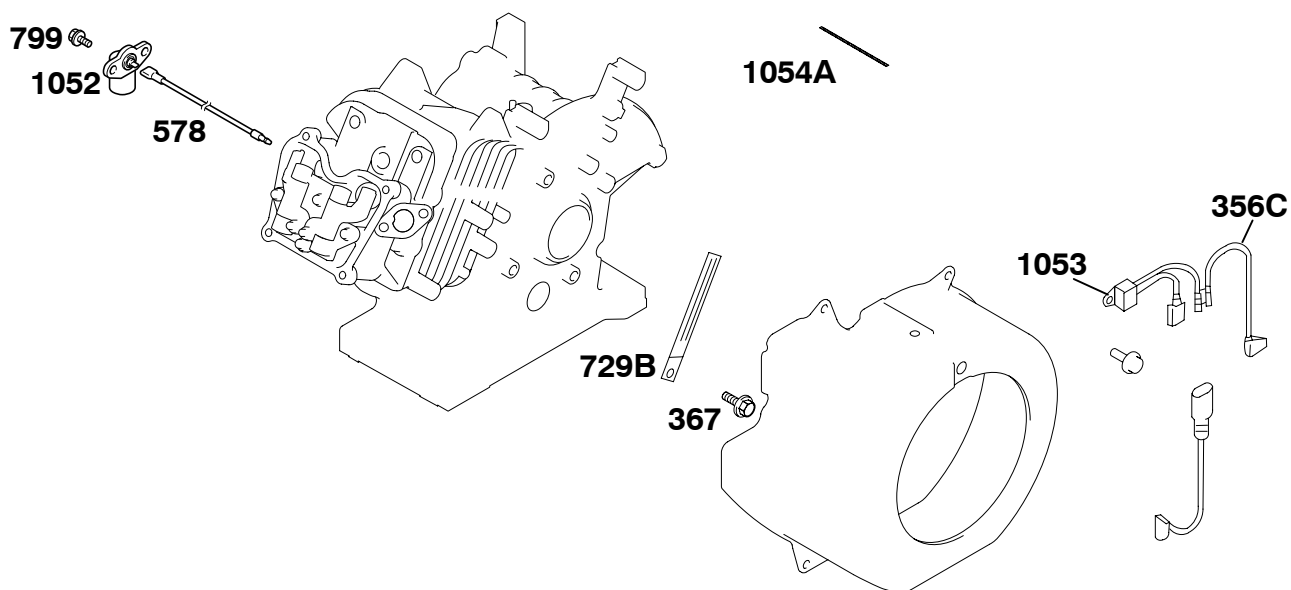
5359-9

Assemblies include all parts shown in frames.

04/22/2005

050000





Illustrations cover a range of engines. Parts shown without corresponding text may not be used on your specific engine.

5359-11

Assemblies include all parts shown in frames.

04/22/2005

050000

| REF. NO. | PART NO. | DESCRIPTION | REF. NO. | PART NO. | DESCRIPTION | REF. NO. | PART NO. | DESCRIPTION |
|----------|----------|--|----------|----------|---|----------|----------|---|
| 1 | 715918 | Cylinder Assembly Used on Type No(s). 0005, 0006, 0100, 0116, 0117, 0118. ----- Note ----- 715921 Cylinder Assembly Used on Type No(s). 0111, 0115, 0126. | 38 | 710057 | Screw (Shut Off Valve) | 192 | 715841 | Adjuster-Rocker Arm |
| 3 | ★711520 | Seal-Oil (Magneto Side) | 40 | 711491 | Retainer-Valve | 202 | 711513 | Link-Mechanical Governor |
| 5 | 715927 | Head-Cylinder | 45 | 711173 | Tappet-Valve | 209 | 711508 | Spring-Governor Used on Type No(s). 0005, 0100. ----- Note ----- 711509 Spring-Governor Used on Type No(s). 0006, 0111, 0115, 0116, 0117, 0126. 711510 Spring-Governor Used on Type No(s). 0118. |
| 7 | ★Δ711489 | Gasket-Cylinder Head | 46 | 715926 | Camshaft | | | |
| 11 | 710115 | Tube-Breather (Cut To Required Length) | 51 | ★Δ711499 | Gasket-Intake | | | |
| 12 | ★711524 | Gasket-Crankcase | 53 | 710148 | Stud (Carburetor) | | | |
| 13 | 710020 | Screw (Cylinder Head) | 58 | 711539 | Rope-Starter | | | |
| 15 | 715811 | Plug-Oil Drain | 60 | 711540 | Grip-Starter Rope | | | |
| 16 | 715923 | Crankshaft | 65 | 710976 | Screw (Rewind Starter)(Qty. 2) | | | |
| 17 | 710482 | Bearing-Ball | 65A | 710057 | Screw (Rewind Starter)(Qty. 1) Used on Type No(s). 0006, 0111, 0115, 0117, 0118, 0126. | 210 | 710065 | Strainer-Fuel |
| 17A | 711522 | Bearing-Ball | 101 | 711135 | Pin-Shaft | 210A | 710071 | Strainer-Fuel |
| 18 | 715919 | Cover-Crankcase | 122 | 715940 | Spacer-Carburetor | 219 | 715679 | Gear-Governor |
| 20 | ★711520 | Seal-Oil (PTO Side) | 125 | 715978 | Carburetor | 220 | 710545 | Washer (Governor Gear) |
| 22 | 711523 | Screw (Crankcase Cover/Sump) | 129 | 715854 | Screw/Spring- Governor Speed | 221 | 710027 | Cup-Governor |
| 23 | 711525 | Flywheel | 129A | 715942 | Screw/Spring- Governor Speed Used on Type No(s). 0111, 0115, 0116, 0117, 0126. | 222 | 715943 | Bracket-Control Used on Type No(s). 0005, 0100. ----- Note ----- 715944 Bracket-Control Used on Type No(s). 0006, 0111, 0115, 0116, 0117, 0118, 0126. |
| 24 | 710037 | Key-Flywheel | 137 | 711778 | Gasket-Float Bowl | | | |
| 25 | 715935 | Piston Assembly (Standard) ----- Note ----- 715936 Piston Assembly (.020" Undersize) | 142 | 716076 | Nozzle-Carburetor (Standard) | 222A | 715946 | Bracket-Control Used on Type No(s). 0005, 0006, 0111, 0115, 0116, 0117, 0126. |
| 26 | 715938 | Ring Set (Standard) ----- Note ----- 715939 Ring Set (.020" Oversize) | 146 | 710037 | Key-Timing | 225 | 710028 | Shaft-Governor Gear |
| 27 | 711494 | Lock-Piston Pin | 185 | 710068 | Nut (Air Cleaner Base) | 227 | 711515 | Lever-Governor Control |
| 28 | 715937 | Pin-Piston | 187 | 715125 | Line-Fuel (8mm Inside Diameter)(Cut To Required Length) | 232 | 711512 | Spring-Governor Link |
| 29 | 715933 | Rod-Connecting (Standard) | 187A | 715730 | Line-Fuel (4mm Inside Diameter)(Cut to Required Length) | 246 | 710070 | Bowl-Fuel Filter |
| 32 | 710041 | Screw (Connecting Rod) | 188 | 710074 | Screw (Control Bracket) | 265 | 711506 | Clamp-Casing |
| 33 | 715931 | Valve-Exhaust | 188A | 710976 | Screw (Control Bracket) | 267 | 711507 | Screw (Casing Clamp) |
| 34 | 715932 | Valve-Intake | 190 | 711142 | Screw (Fuel Tank) | 276A | 711779 | Washer-Sealing |
| 35 | 711492 | Spring-Valve (Intake) | | | | 278 | 711516 | Washer (Governor Control Lever) |
| 36 | 711492 | Spring-Valve (Exhaust) | | | | | | |

★ Included in Engine Gasket Set-Ref. No.358.

Δ Included in Valve Gasket Set-Ref. No 1095.

Illustrations cover a range of engines. Parts shown without corresponding text may not be used on your specific engine.
5359-12 Assemblies include all parts shown in frames. 4/22/2005

050000

| REF. NO. | PART NO. | DESCRIPTION | REF. NO. | PART NO. | DESCRIPTION | REF. NO. | PART NO. | DESCRIPTION |
|----------|----------|--|----------|----------|--------------------------------------|----------|----------|--|
| 281 | 711543 | Panel-Control Used on Type No(s). 0005, 0100. | 455 | 711541 | Cup-Flywheel | 865 | 711536 | Cover-Air Guide |
| 281A | 711544 | Panel-Control Used on Type No(s). 0006, 0111, 0115, 0116, 0117, 0118, 0126. | 464 | ★710069 | Seal-O Ring (Fuel Shut-off Valve) | 865A | 711535 | Cover-Air Guide |
| 296 | 710099 | Stud (Muffler) | 485 | 692295 | Knob-Control | 868 | Δ711287 | Seal-Valve |
| 300 | 715948 | Muffler | 493 | 711538 | Bracket-Mounting | 875 | 711138 | Base-Air Cleaner (Plastic) |
| 303 | 715949 | Elbow-Exhaust | 494 | 711564 | Mount-Engine | 883 | ★Δ711542 | Gasket-Exhaust |
| 304 | 711533 | Housing-Blower Used on Type No(s). 0005, 0006, 0111, 0115, 0116, 0117, 0118, 0126. | 505 | 711208 | Nut (Governor Control Lever) | 883A | ★Δ711244 | Gasket-Exhaust Screw |
| | | ----- Note ----- | 523 | 715588 | Dipstick | 914 | 710057 | (Rocker Cover) |
| | | 711534 | 578 | 711247 | Wire Assembly (Oil Sensor) | 957 | 711537 | Cap-Fuel Tank (Plastic) |
| | | Housing-Blower Used on Type No(s). 0100. | 601 | 710067 | Clamp-Hose | 958 | 715901 | Valve-Fuel Shut Off (Plastic) |
| 305 | 710023 | Screw (Blower Housing) | 601A | 710075 | Clamp-Hose | 967 | 711460 | Filter-Pre Cleaner |
| 315 | ★710072 | Seal-O Ring (Filter Bowl) | 608 | 715952 | Starter-Rewind | 968 | 711495 | Cover-Air Cleaner |
| 318 | 710074 | Screw (Mounting Bracket) | 614 | 710056 | Pin-Cotter | 972 | 715951 | Tank-Fuel (Plastic) |
| 332 | 711528 | Nut (Flywheel) | 615 | 710154 | Retainer-Governor Shaft | 1005 | 711527 | Fan-Flywheel |
| 333 | 711526 | Armature-Magneto | 616 | 711514 | Crank-Governor | 1012 | 710855 | Retainer-Link |
| 334 | 711142 | Screw (Magneto Armature) | 631 | ★711188 | Washer (Oil Drain Plug) | 1019 | 715953 | Kit-Label |
| 337 | 711252 | Plug-Spark | 635 | 710634 | Boot-Spark Plug | 1022 | ★Δ711490 | Gasket-Rocker Cover |
| 347 | 691995 | Switch-Rocker | 643 | 711461 | Retainer-Air Filter | 1023 | 715930 | Cover-Rocker |
| 356 | 710324 | Wire-Stop | 663 | 711249 | Screw (Control Panel) | 1026 | 711493 | Rod-Push |
| 356A | 710087 | Wire-Stop | 676 | 715230 | Deflector-Muffler | 1029 | 715929 | Arm-Rocker |
| 356B | 710120 | Wire-Stop | 677 | 710307 | Screw (Muffler Deflector) | 1036 | 711690 | Label-Emissions (Used After Code Date 04063000) |
| 356C | 711203 | Wire-Stop | 718 | 710005 | Pin-Locating | | | ----- Note ----- |
| 358 | 715965 | Gasket Set-Engine | 725 | 711503 | Shield-Heat | | | 711545 |
| 367 | 711427 | Screw (Wire Clip) | 728 | 710023 | Screw (Heat Shield) | | | Label-Emissions (Used Before Code Date 04070100) |
| 383 | 19374 | Wrench-Spark Plug | 729 | 711518 | Clip-Wire | 1036A | 698979 | Label-Emissions Used on Type No(s). 0116, 0118. |
| 425 | 711163 | Screw (Air Cleaner Cover) | 729A | 710046 | Clip-Wire | 1052 | 711246 | Sensor-Oil |
| 445 | 711459 | Filter-Air Cleaner Cartridge | 729B | 710407 | Clip-Wire | 1053 | 710305 | Module-Oil Gard |
| 447 | 710023 | Screw (Air Guide Cover) | 741 | 711136 | Gear-Timing (Spur Gear) | 1054 | 711529 | Tie-Cable |
| | | | 742 | 710548 | Retainer-E Ring | 1054A | 710349 | Tie-Cable |
| | | | 742A | 710477 | Retainer-E Ring | 1058 | MS6669 | Operator's Manual |
| | | | 752 | 710478 | Screw (Link Retainer) | 1095 | 715964 | Gasket Set-Valve |
| | | | 798 | 710234 | Screw (Rocker Arm) | 1117 | 711487 | Screw (Engine Mount) |
| | | | 799 | 710057 | Screw (Oil Sensor) | 1177 | 710090 | Nut (Muffler) |
| | | | 832 | 711532 | Guard-Muffler | 1177A | 710068 | Nut (Muffler) |
| | | | 836 | 710074 | Screw (Muffler Guard) | 1241 | 711488 | Plate-Valve Spring |
| | | | 842 | ★711521 | Seal-O Ring (Dipstick Tube) | | | |

★ Included in Engine Gasket Set-Ref. No.358.

Δ Included in Valve Gasket Set-Ref. No 1095.

Illustrations cover a range of engines. Parts shown without corresponding text may not be used on your specific engine.