



Illustrated Parts List

Model Series

472100

TYPE NUMBERS
0100.

TABLE OF CONTENTS

Air Cleaner	6
Alternator	8
Camshaft	2
Carburetor	5
Controls	8
Crankcase Cover	4
Crankshaft	2
Cylinder	2
Cylinder Head	3
Electric Starter	8
Exhaust System	6
Flywheel	7
Governor Springs	8
Intake Manifold	4
Kit/Gasket Set - Carburetor	5
Kit/Gasket Set - Valve	3
Kit/Gasket Set - Engine	2
Pistons	2
Radiator Fan	9
Radiator	10
Valves	3

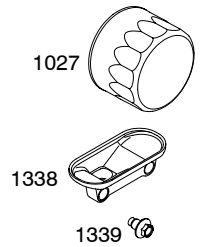
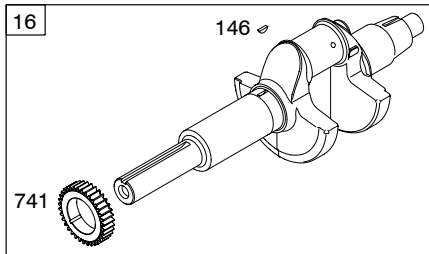
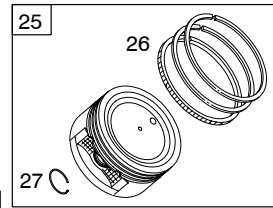
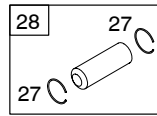
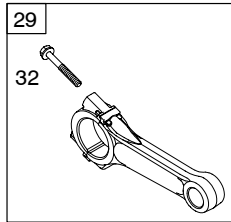
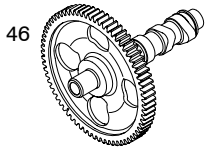
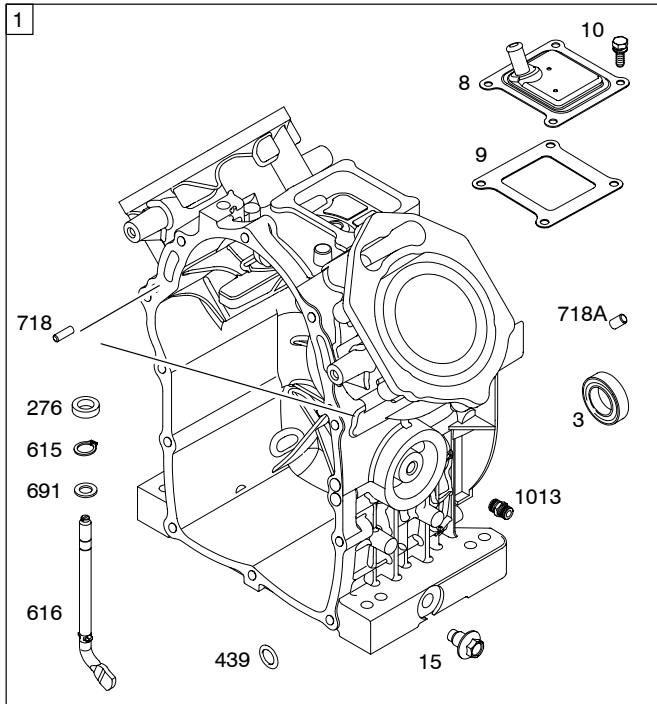


PRINTED IN U.S.A.

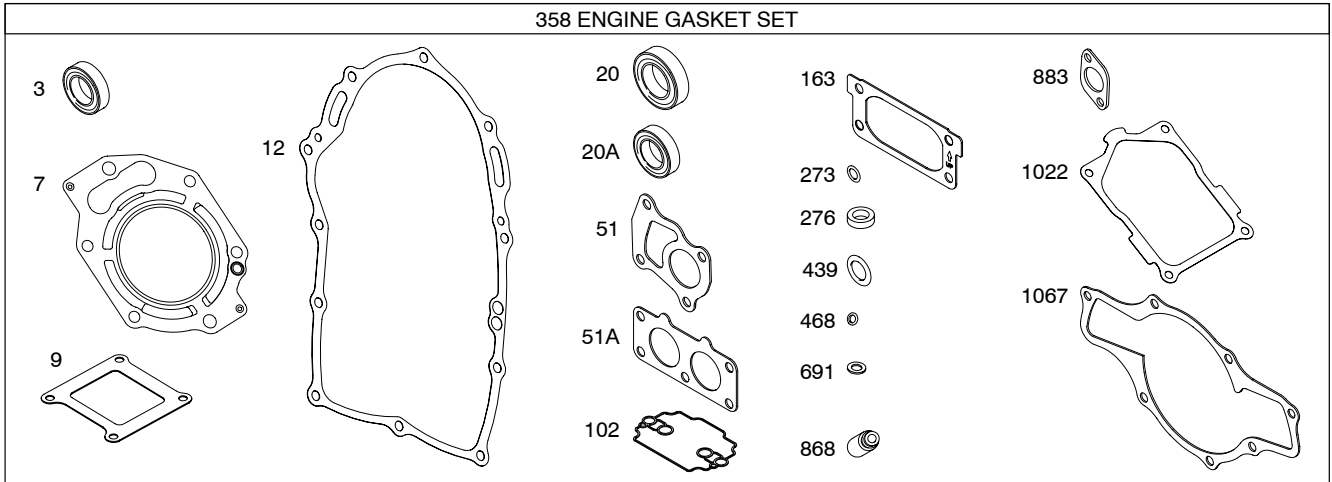
COPYRIGHT by BRIGGS & STRATTON CORPORATION
All rights reserved. No part of this material may be reproduced or transmitted, in any form or by any means, electronic or mechanical, including photocopying, recording or by any information storage and retrieval system, without permission in writing from Briggs & Stratton Corporation.

472100

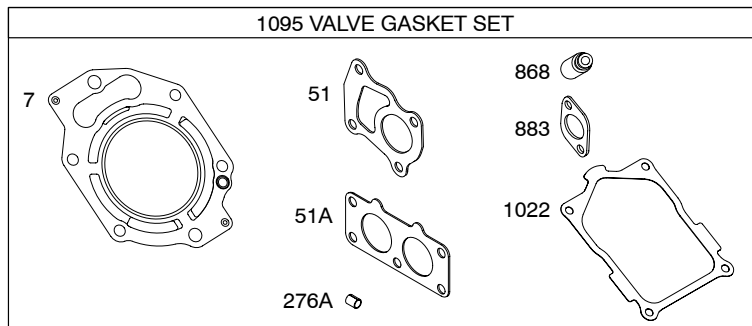
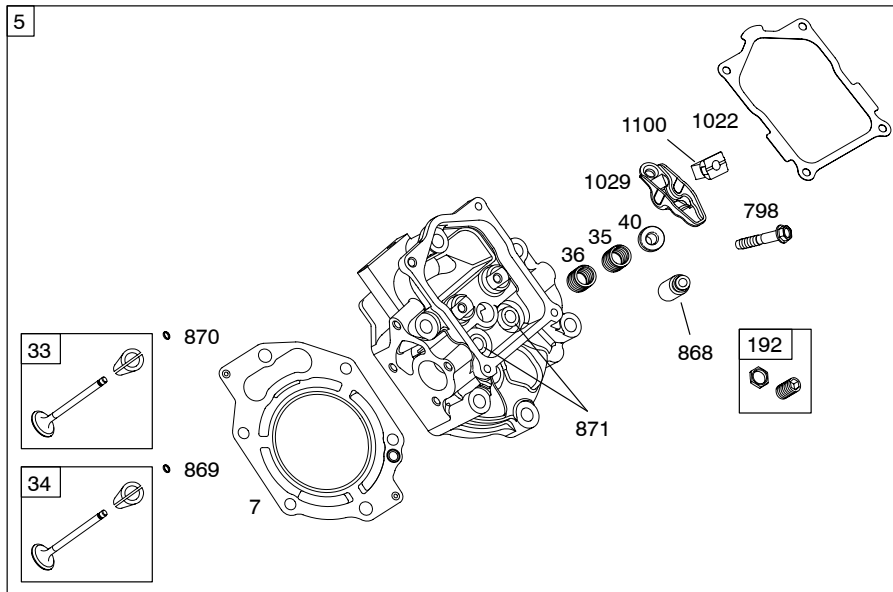
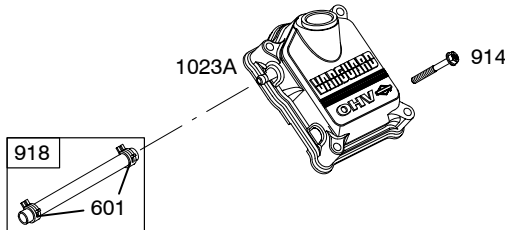
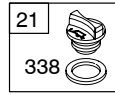
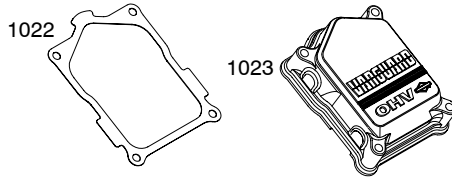
1058 OPERATOR'S MANUAL
1036 EMISSION LABEL



358 ENGINE GASKET SET

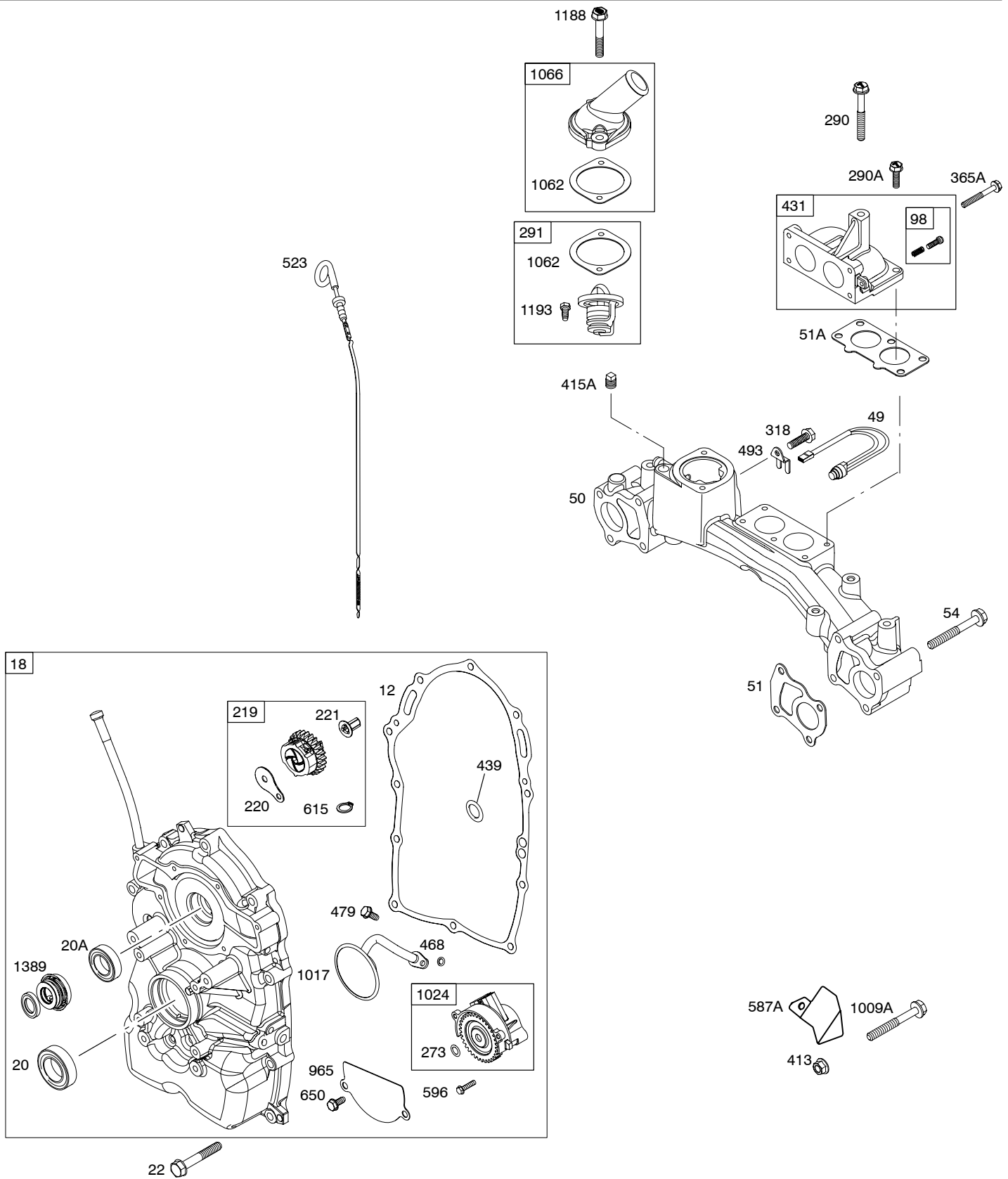


Illustrations cover a range of engines. Parts shown without corresponding text may not be used on your specific engine.
3571-2 Assemblies include all parts shown in frames. 11/10/2005

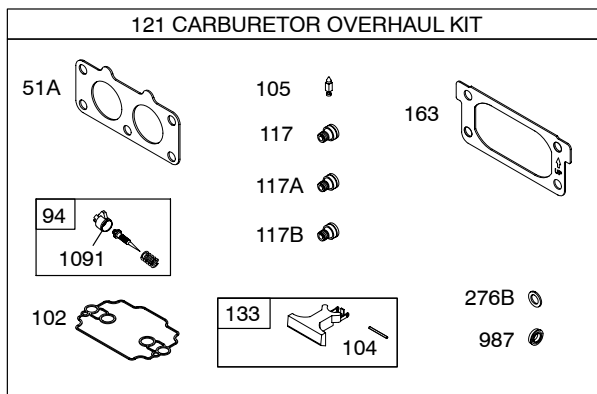
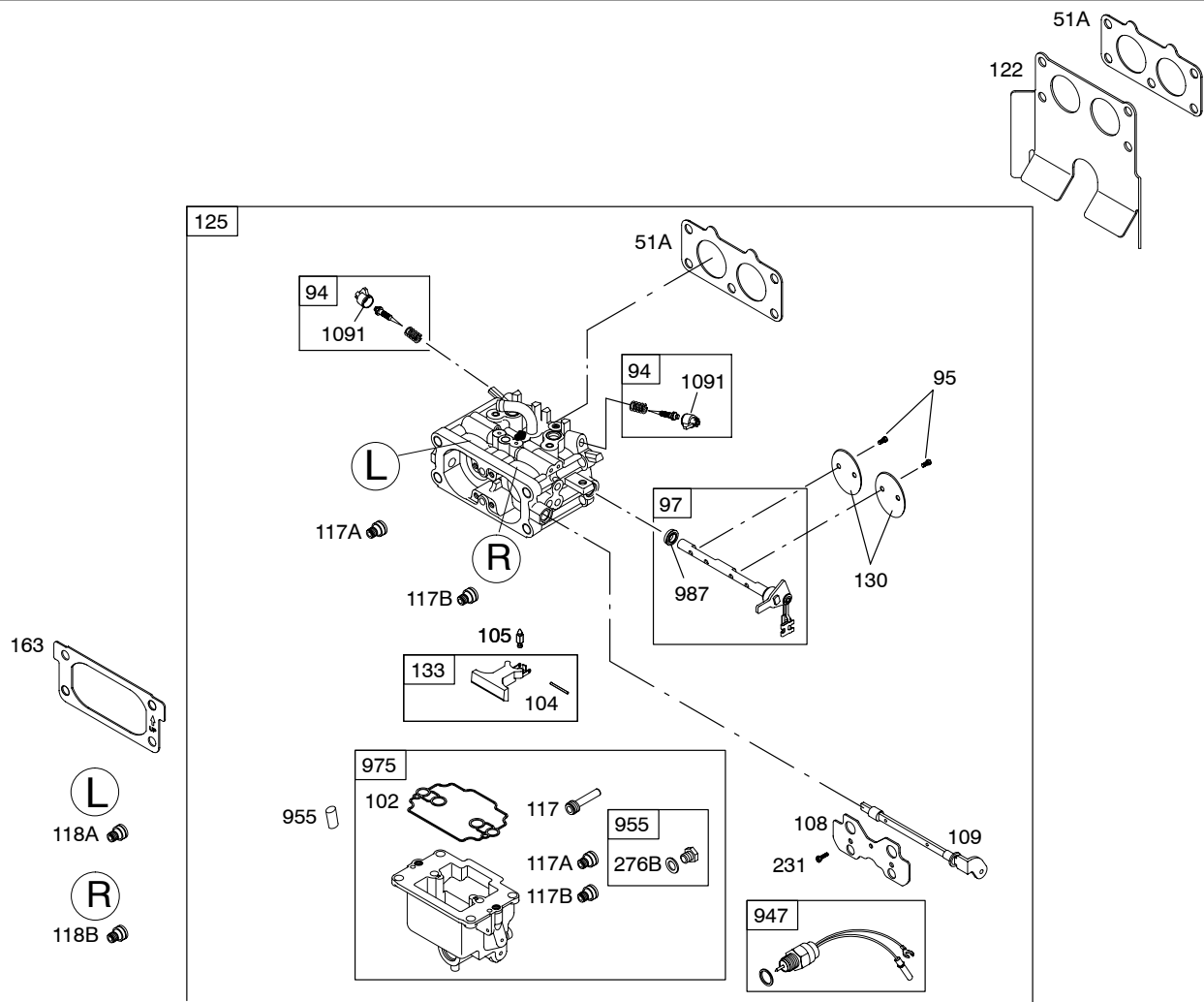


Illustrations cover a range of engines. Parts shown without corresponding text may not be used on your specific engine.
 3571-3 Assemblies include all parts shown in frames. 11/10/2005

472100

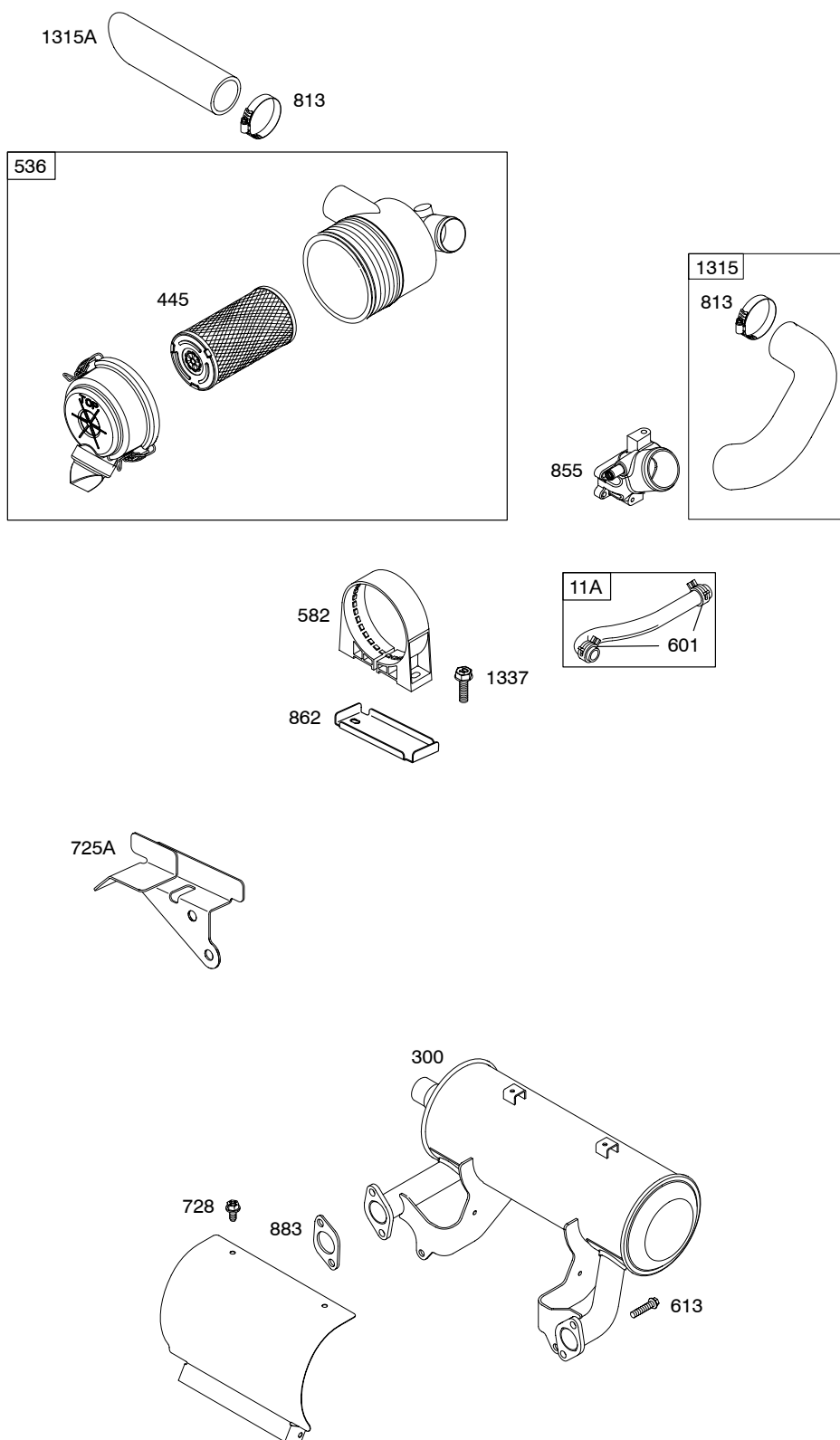


Illustrations cover a range of engines. Parts shown without corresponding text may not be used on your specific engine.
3571-4 Assemblies include all parts shown in frames. **11/10/2005**

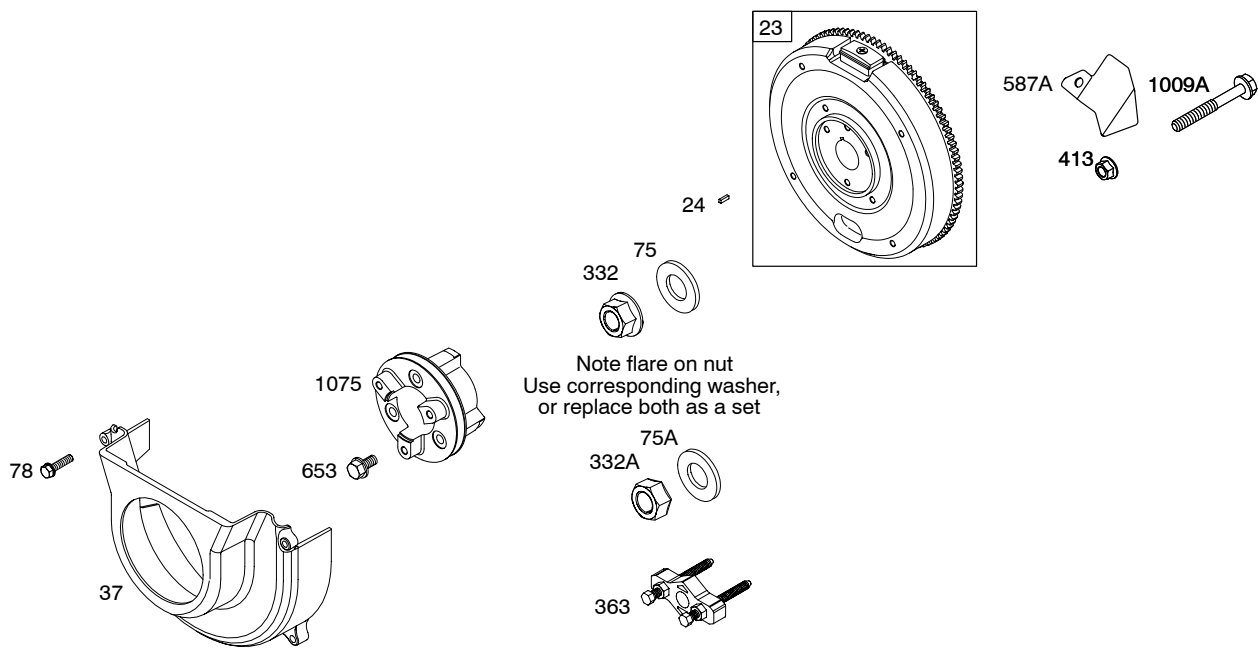


Illustrations cover a range of engines. Parts shown without corresponding text may not be used on your specific engine.
 3571-5 Assemblies include all parts shown in frames. 11/10/2005

472100



Illustrations cover a range of engines. Parts shown without corresponding text may not be used on your specific engine.
3571-6 Assemblies include all parts shown in frames. 11/10/2005




Illustrations cover a range of engines. Parts shown without corresponding text may not be used on your specific engine.

3571-7


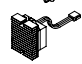

Assemblies include all parts shown in frames.

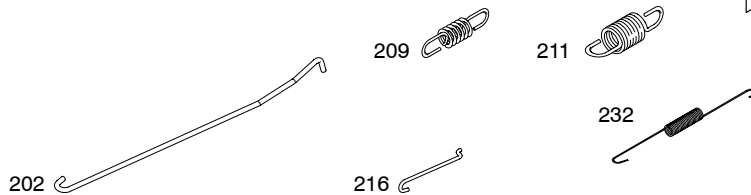
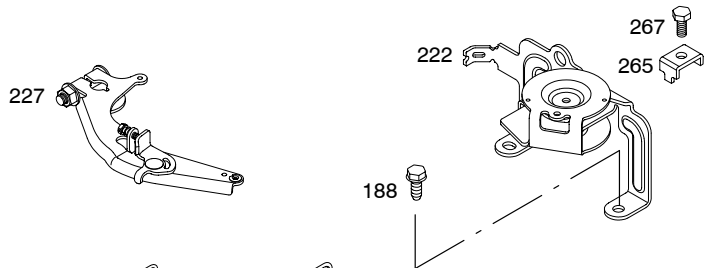
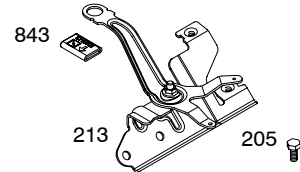
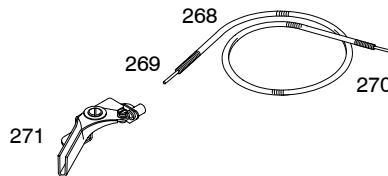
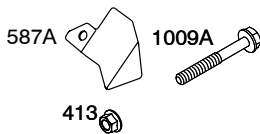
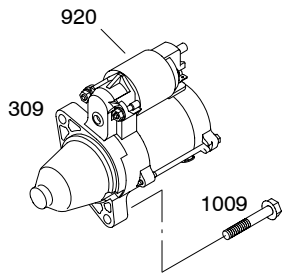
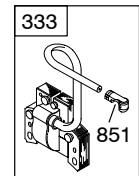
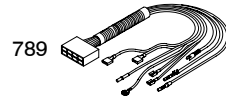
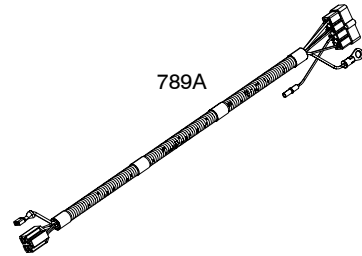
11/10/2005

472100

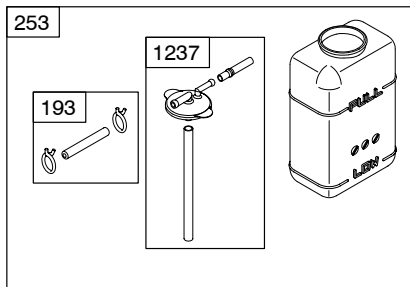
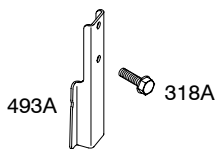
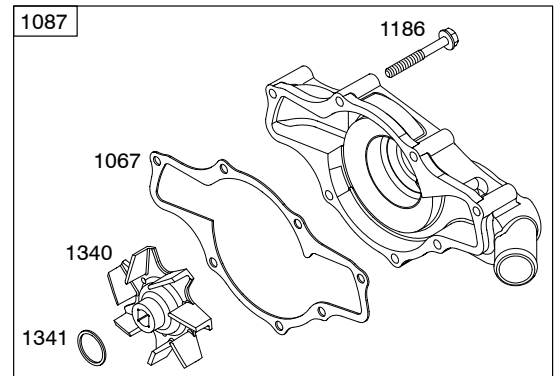
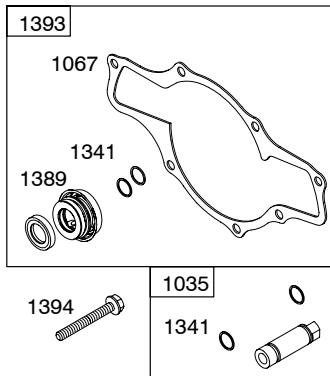
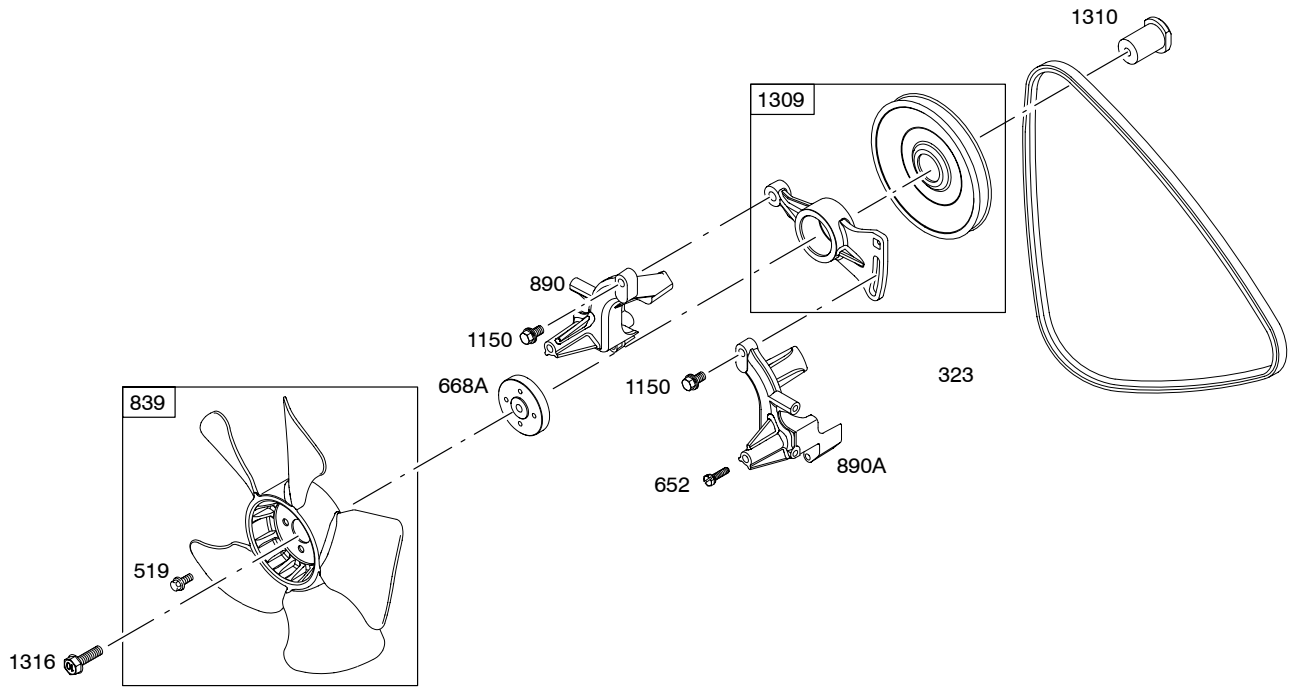
NOTE: All stators use a No. 1119 mounting screw. 

NOTE: The proper flywheel part number and/or the alternator magnet size will determine the alternator type or output. See repair instruction manual for additional information.

20 AMP
474E
877D 
526B 
501B 

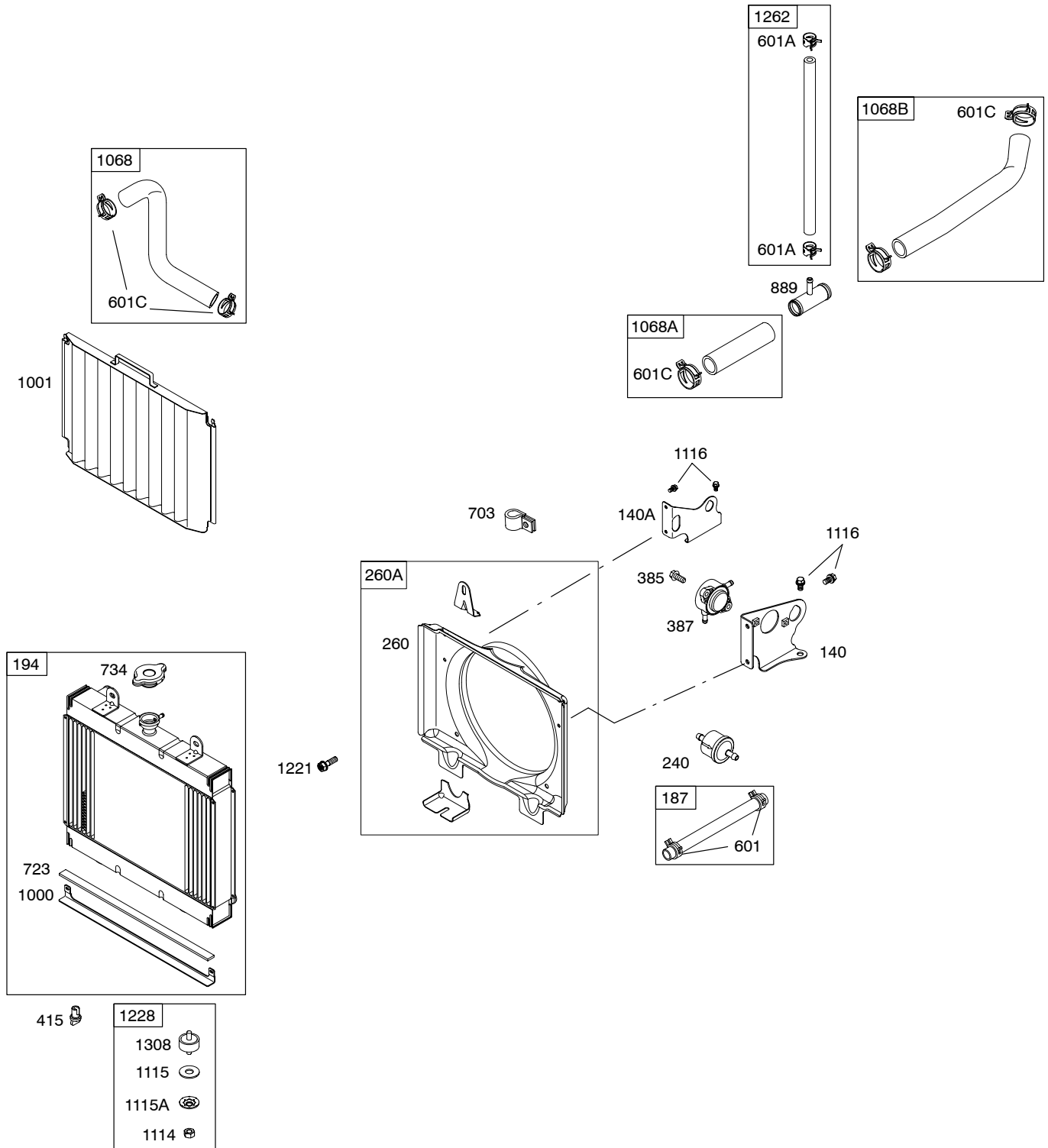


Illustrations cover a range of engines. Parts shown without corresponding text may not be used on your specific engine.
 3571-8 Assemblies include all parts shown in frames. 11/10/2005



Illustrations cover a range of engines. Parts shown without corresponding text may not be used on your specific engine.
3571-9 Assemblies include all parts shown in frames. **11/10/2005**

472100



Illustrations cover a range of engines. Parts shown without corresponding text may not be used on your specific engine.
 3571-10 Assemblies include all parts shown in frames. 11/10/2005

472100

REF. NO.	PART NO.	DESCRIPTION	REF. NO.	PART NO.	DESCRIPTION	REF. NO.	PART NO.	DESCRIPTION
1	842270	Cylinder Assembly	26	809557	Ring Set (Standard)	105	●809759	Valve-Float Needle
3	★809510	Seal-Oil (Magneto Side)			----- Note -----	108	809643	Valve-Choke
5	809276	Head-Cylinder (Cylinder #1)			809559 Ring Set (.020" Oversize)	109	809802	Shaft-Choke
		----- Note -----	27	807351	Lock-Piston Pin	117	●841098	Jet-Main (Standard)
		809277 Head-Cylinder (Cylinder #2)	28	807361	Pin-Piston (Standard)	117A	●809635	Jet-Main (Standard)
7	★△807341	Gasket-Cylinder Head (Metal)	29	809275	Rod-Connecting (Standard)	117B	●809634	Jet-Main (Standard)
8	809286	Breather Assembly	32	807363	Screw (Connecting Rod)	118A	809649	Jet-Main (High Altitude)
9	★841505	Gasket-Breather	33	809376	Valve-Exhaust	118B	809635	Jet-Main (High Altitude)
10	692539	Screw (Breather Assembly)	34	809375	Valve-Intake			
11	807331	Tube-Breather	35	809374	Spring-Valve (Intake)	121	809852	Kit-Carburetor Overhaul
11A	809322	Tube-Breather (Cut To Required Length)	36	809374	Spring-Valve (Exhaust)	122	807433	Spacer-Carburetor
12	★807325	Gasket-Crankcase	37	807332	Guard-Flywheel	125	809647	Carburetor
13	807371	Screw (Cylinder Head)	40	807492	Retainer-Valve	130	809642	Valve-Throttle
		----- Note -----	45	809785	Tappet-Valve	133	●809637	Float-Carburetor
		807372 Screw (Cylinder Head)	46	842148	Camshaft	140	809401	Bracket-Radiator
15	807392	Plug-Oil Drain	49	807426	Sensor-Water Temperature	140A	809402	Bracket-Radiator
16	841280	Crankshaft	50	807432	Manifold-Intake	146	691639	Key-Timing
18	809539	Cover-Crankcase	51	★△807434	Gasket-Intake	163	★807375	Gasket-Air Cleaner
20	★841596	Seal-Oil (PTO Side)	51A	★△690950	Gasket-Intake	187	691050	Line-Fuel
20A	★809510	Seal-Oil (PTO Side)	54	806444	Screw (Intake Manifold) (2 1/2" Long)	188	692539	Screw (Control Bracket)
		----- Note -----			807437 Screw (Intake Manifold) (3-3/4" Long)	192	807623	Adjuster-Rocker Arm
21	809500	Cap-Oil Fill	75	691056	Washer (Flywheel)	193	809518	Hose-Reserve Tank
22	807362	Screw (Crankcase Cover/Sump)	75A	842548	Washer (Flywheel)	194	809405	Radiator
		----- Note -----	78	807421	Screw (Flywheel Guard)	202	807358	Link-Mechanical Governor
		692539 Screw (Crankcase Cover/Sump)	94	●809648	Kit-Idle Mixture	205	692539	Screw (Bell Crank)
23	841294	Flywheel (Steel Ring Gear)	95	690728	Screw (Throttle Valve)	209	807328	Spring-Governor ----- Note -----
24	222698S	Key-Flywheel	97	809630	Shaft-Throttle			842315 Spring- Governor Used on Type No(s). 0100.
25	809561	Piston Assembly (Standard)	98	841842	Kit-Idle Speed	211	807327	Spring-Governed Idle ----- Note -----
		----- Note -----	102	★●809645	Gasket-Carburetor Body			842316 Spring- Governed Idle Used on Type No(s). 0100.
		809563 Piston Assembly (.020" Oversize)	104	●690739	Pin-Float Hinge	213	809660	Bracket-Choke Control

★ Included in Engine Gasket Set-Ref. No.358.

● Included in Carburetor Overhaul Kit-Ref. No. 121.

◆ Included in Carburetor Gasket Set-Ref. No. 977.

△ Included in Valve Gasket Set-Ref. No 1095.

Illustrations cover a range of engines. Parts shown without corresponding text may not be used on your specific engine.

3571-11

Assemblies include all parts shown in frames.

11/10/2005

472100

REF. NO.	PART NO.	DESCRIPTION	REF. NO.	PART NO.	DESCRIPTION	REF. NO.	PART NO.	DESCRIPTION
216	807342	Link-Choke	332A	★△842222	Nut (Flywheel)	536	825118	Cleaner-Air
219	809426	Gear-Governor				582	807381	Clamp-Air Cleaner
220	841608	Washer (Governor Gear)	333	841279	Armature-Magneto	587	807386	Clamp-Cable
221	841026	Cup-Governor	334	692066	Screw (Magneto Armature)	587A	842066	Clamp-Cable
222	809273	Bracket-Control	337	692051	Plug-Spark	596	691492	Screw (Oil Pump)
227	809274	Lever-Governor Control	338	691312	Gasket-Dipstick	601	691038	Clamp-Hose (Fuel Pump)
231	690718	Screw (Choke Valve)	344	692539	Screw (Cable Clamp)			----- Note -----
232	691538	Spring-Governor Link	358	809857	Gasket Set-Engine			807353 Clamp-Hose
239	841281	Switch-Oil Pressure	363	19203	Puller-Flywheel	601A	807422	Clamp-Hose
240	691035	Filter-Fuel	365A	807437	Screw (Carburetor)	601C	807354	Clamp-Hose
253	809411	Tank-Reserve	383	19374S	Wrench-Spark Plug	613	809743	Screw (Muffler)
260	809414	Shroud-Fan	385	693169	Screw (Fuel Pump)	615	809533	Retainer-Governor Shaft
260A	841718	Shroud-Fan	387	807429	Pump-Fuel	616	809433	Crank-Governor
265	691024	Clamp-Casing	413	842067	Nut (Starter Motor)	635	692076	Boot-Spark Plug
267	692539	Screw (Casing Clamp)	415	809404	Plug (Radiator Plug)	650	692539	Screw (Oil Deflector)
		----- Note -----	415A	690283	Plug (Intake Manifold)	652	809529	Screw (Support Bracket)
268	691025	Casing-Control Wire	431	807319	Elbow-Intake	653	809528	Screw (Crankshaft Pulley)
269	691026	Wire-Control	439	★692154	Seal-O Ring (Crankcase Cover/Sump)			----- Note -----
270	691027	Nut (Control Wire Casing)	445	820263	Filter-Air Cleaner Cartridge	668A	807443	Spacer
271	691028	Lever-Control	468	★690690	Seal-O Ring (Oil Pump Screen)	691	★809287	Seal-Governor Shaft
273	★690681	Seal-O Ring (Oil Pump)	474E	696579	Alternator (20 Amp)	703	842245	Clip
276	★809436	Washer-Sealing	479	807084	Screw (Oil Pump Screen)	718	690959	Pin-Locating
276A	807491	Washer-Sealing	493	807427	Bracket-Mounting (Water Temp Sensor)	718A	809508	Pin-Locating
276B	806476	Washer-Sealing	493A	809400	Bracket-Mounting (Radiator/Shroud)	723	841563	Seal-Foam
290	807436	Screw (Intake Elbow)	501B	691573	Regulator (20 Amp)	725A	841282	Shield-Heat
290A	807435	Screw (Intake Elbow)	519	807382	Screw (Radiator Fan)	728	692062	Screw (Heat Shield)
291	841491	Thermostat	523	807450	Dipstick (Standard)	734	809403	Cap-Radiator
300	807451	Muffler	526B	807385	Screw (Regulator)(20 Amp)	741	809432	Gear-Timing
309	807383	Motor-Starter (DC)(10-16 AMP)				789	807324	Harness-Wiring
318	692539	Screw (Mounting Bracket)				789A	809967	Harness-Wiring
318A	693169	Screw (Mounting Bracket)				798	691492	Screw (Rocker Arm)
323	809365	Belt-Vee				806	692062	Screw (Lifting Bracket)
332	807356	Nut (Flywheel)				813	807376	Clamp (65mm ID)
								----- Note -----
								807377 Clamp (58mm ID)

★ Included in Engine Gasket Set-Ref. No.358.

● Included in Carburetor Overhaul Kit-Ref. No. 121.

◆ Included in Carburetor Gasket Set-Ref. No. 977.

△ Included in Valve Gasket Set-Ref. No 1095.

Illustrations cover a range of engines. Parts shown without corresponding text may not be used on your specific engine.

472100

REF. NO.	PART NO.	DESCRIPTION	REF. NO.	PART NO.	DESCRIPTION	REF. NO.	PART NO.	DESCRIPTION
839	809321	Fan-Radiator	1024	841291	Pump-Oil	1150	692539	Screw (Adjusting Strap)
843	809672	Sleeve-Lever	1026	807336	Rod-Push	1186	807389	Screw (Water Pump)
851	493880S	Terminal-Spark Plug	1027	492932S	Filter-Oil (2 1/4" Long)	1188	807421	Screw (Inlet Housing) (25mm Long)
855	807355	Adapter-Air Cleaner	1029	807323	Arm-Rocker	----- Note ----- 807385 Screw (Inlet Housing) (35mm Long)		
862	841886	Strap/Stud-Air Cleaner Mounting	1035	842079	Shaft-Pump Label-Emissions (Available from an Authorized Briggs & Stratton Service Dealer)			
868	★Δ691963	Seal-Valve	1054	807340	Tie-Cable	1193	807421	Screw (Thermostat)
869	807489	Seat-Valve (Intake)	1058	275723	Operator's Manual	1221	692062	Screw (Fan Shroud)
870	807489	Seat-Valve (Exhaust)	1062	809397	Gasket-Outlet Housing	1228	809851	Mount-Radiator
871	692057	Bushing-Valve Guide	1066	841284	Housing-Inlet	1237	841290	Cap/Hose-Reserve
877D	698092	Wire/Connector- Alternator	1067	★807387	Gasket-Water Pump	1262	807423	Line-Water
883	★Δ807326	Gasket-Exhaust (Manifold to Head)	1068	841286	Hose/Clamp Assembly (Inlet)	1308	809407	Isolator
889	807339	Tee	1068A	809410	Hose/Clamp Assembly	1309	807442	Pulley-Fan
890	807444	Bracket-Support (Left Hand)	1068B	807425	Hose/Clamp Assembly	1310	809366	Shaft-Fan
890A	807445	Bracket-Support (Right Hand)	1075	841293	Pulley-Crankshaft	1315	807379	Hose-Air Cleaner
914	807357	Screw (Rocker Cover)	1077	807335	Bracket-Lifting	1315A	807380	Hose-Air Cleaner
918	809323	Hose-Vacuum	1087	809282	Pump-Water	1316	807382	Screw (Fan Shaft)
920	825418	Solenoid-Starter	1091	Δ691515	Cap-Limiter	1337	807382	Screw Air Cleaner Bracket
947	809632	Solenoid-Fuel	1095	809856	Gasket Set-Valve	1338	809334	Tray-Oil Drip
955	809640	Plug-Carburetor	1100	690973	Pivot-Rocker Arm	1339	807435	Screw Oil Drip Tray
965	809422	Cover-Oil Pump	1114	691105	Nut (Radiator Support)	1340	809283	Impeller
975	809650	Bowl-Float	1115	809408	Washer (Radiator Support)	1341	841042	Seal-O Ring (Impeller)
987	●809639	Seal-Throttle Shaft	1115A	809417	Washer (Radiator Support)	1389	809423	Seal-Impeller
1000	809406	Guard-Radiator	1116	841233	Screw (Radiator Bracket)	1393	842072	Kit-Pump Overhaul
1001	809399	Screen-Radiator	1119	691552	Screw (Alternator)	1394	807390	Screw (Impeller)
1009	690711	Screw (Starter Motor)						
1009A	842065	Screw (Starter Motor)						
1013	809505	Nipple-Oil Filter						
1017	809421	Screen-Oil Pump						
1022	★Δ807333	Gasket-Rocker Cover						
1023	807334	Cover-Rocker						
1023A	809521	Cover-Rocker						
		----- Note ----- 807359 Cover-Rocker Used on Type No(s). 0100.						

★ Included in Engine Gasket Set-Ref. No.358.

● Included in Carburetor Overhaul Kit-Ref. No. 121.

◆ Included in Carburetor Gasket Set-Ref. No. 977.

Δ Included in Valve Gasket Set-Ref. No 1095.

Illustrations cover a range of engines. Parts shown without corresponding text may not be used on your specific engine.