

**461700**

# Illustrated Parts List

## Model Series

# 461700

TYPE NUMBERS  
0116 through 0149.

### TABLE OF CONTENTS

Air Cleaner .....	9
Alternator .....	8
Blower Housing/Shrouds .....	10
Cam .....	3
Carburetor .....	6
Carburetor .....	7
Controls .....	8
Crankcase Cover/Cylinder .....	2
Crankshaft .....	3
Electric Starter .....	12
Flywheel .....	11
Head .....	2
Kit/Gasket Sets – Carburetor .....	6
Kit/Gasket Sets – Engine .....	2
Kit/Gasket Sets – Fuel Pump .....	6
Kit/Gasket Sets – Valve .....	2
Oil .....	4
Piston .....	3
Sump .....	5
Valves .....	3

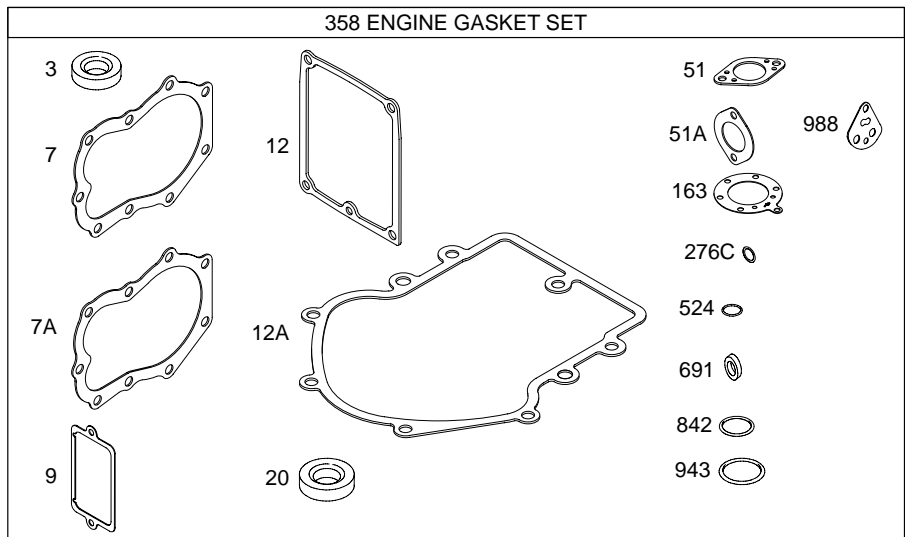
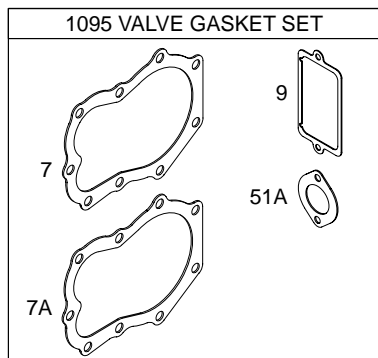
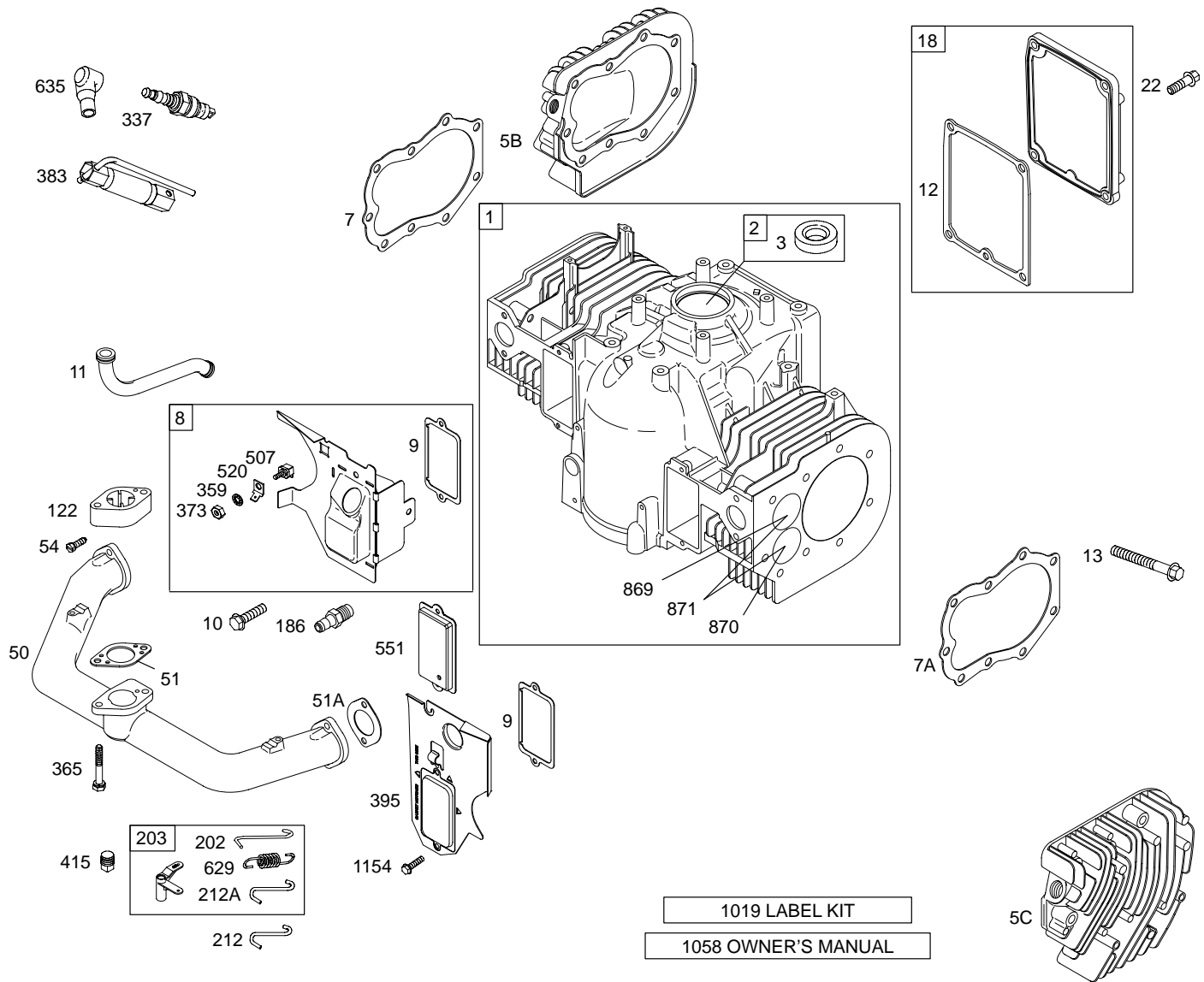


PRINTED IN U.S.A.

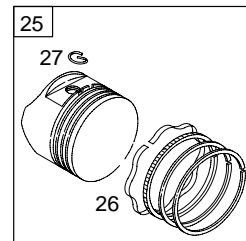
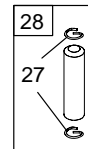
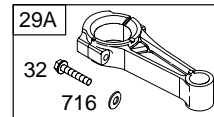
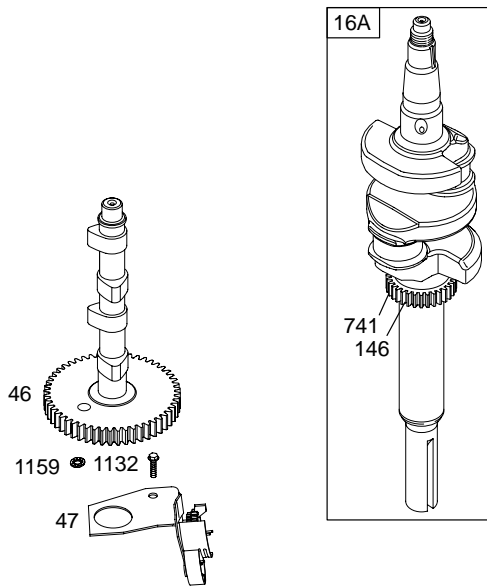
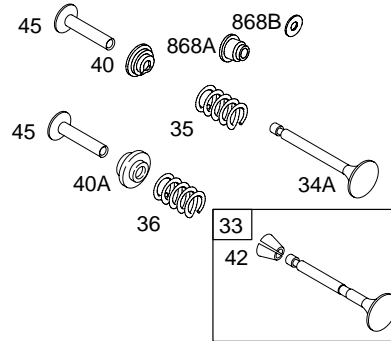
COPYRIGHT by BRIGGS & STRATTON CORPORATION  
All rights reserved. No part of this material may be reproduced or transmitted, in any form or by any means, electronic or mechanical, including photocopying, recording or by any information storage and retrieval system, without permission in writing from Briggs & Stratton Corporation.



# 461700



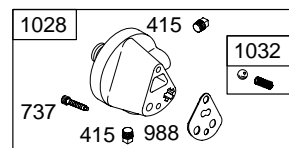
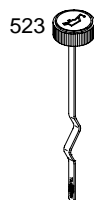
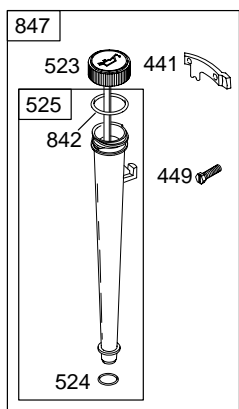
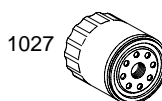
Illustrations cover a range of engines. Parts shown without corresponding text may not be used on your specific engine.  
 6170-2 Assemblies include all parts shown in frames. 5C-6/2002

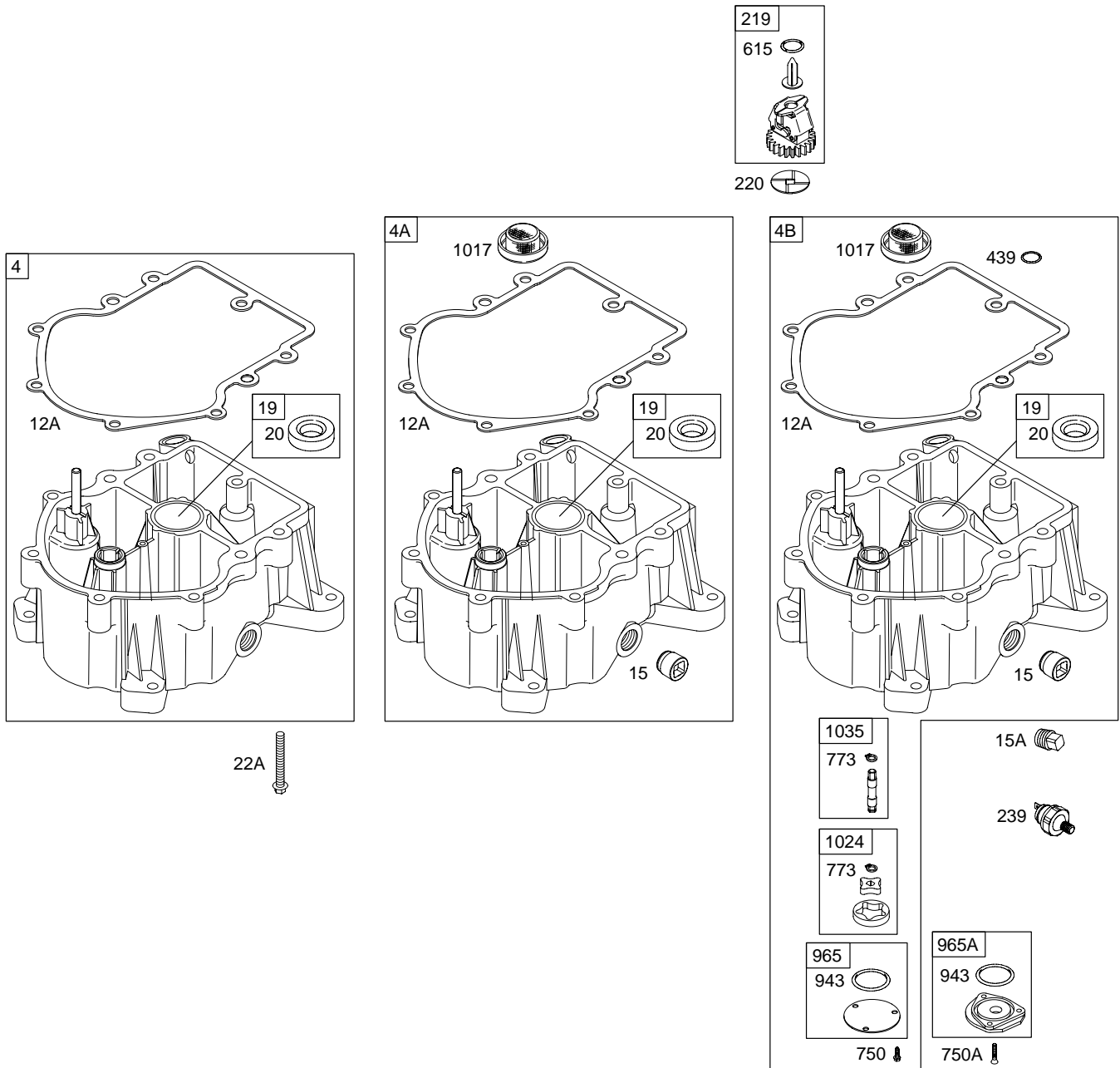


Illustrations cover a range of engines. Parts shown without corresponding text may not be used on your specific engine.  
6170-3 Assemblies include all parts shown in frames. 5C-6/2002

# 461700

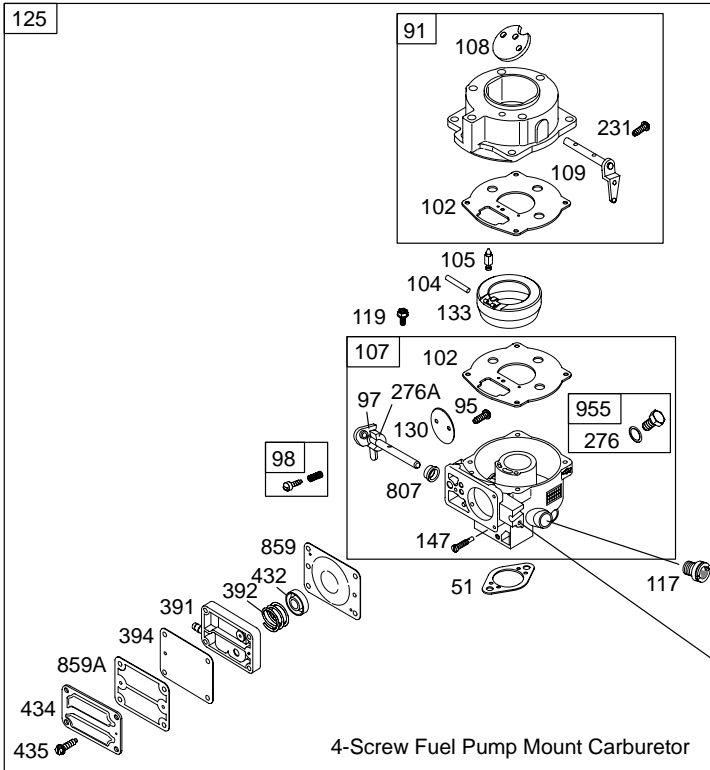
---





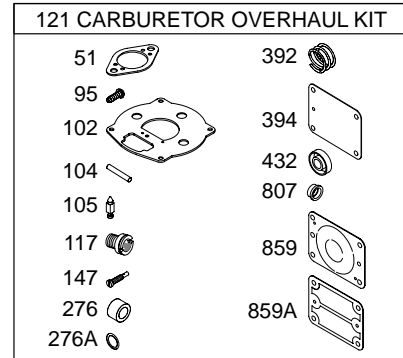
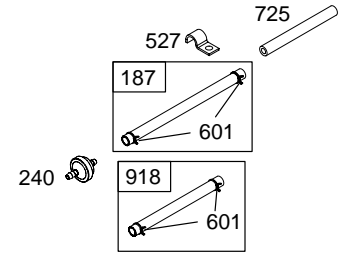
Illustrations cover a range of engines. Parts shown without corresponding text may not be used on your specific engine.  
 6170-5 Assemblies include all parts shown in frames. 5C-6/2002

# 461700

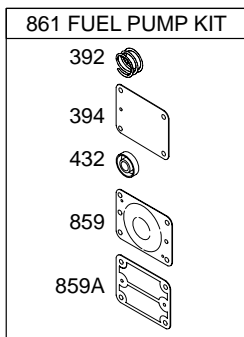


- Model 4607
- Model 4617
- Model 4627
- Model 4637

**SEE ADDITIONAL PAGES FOR MORE CARBURETOR INFORMATION**



- Model 42A7
- Model 42B7
- Model 42D7
- Model 42E7
- Model 4227



Illustrations cover a range of engines. Parts shown without corresponding text may not be used on your specific engine.  
 6170-6 Assemblies include all parts shown in frames. 5C-6/2002

**Model 42A7**

**Model 42B7**

**Model 42D7**

**Model 42E7**

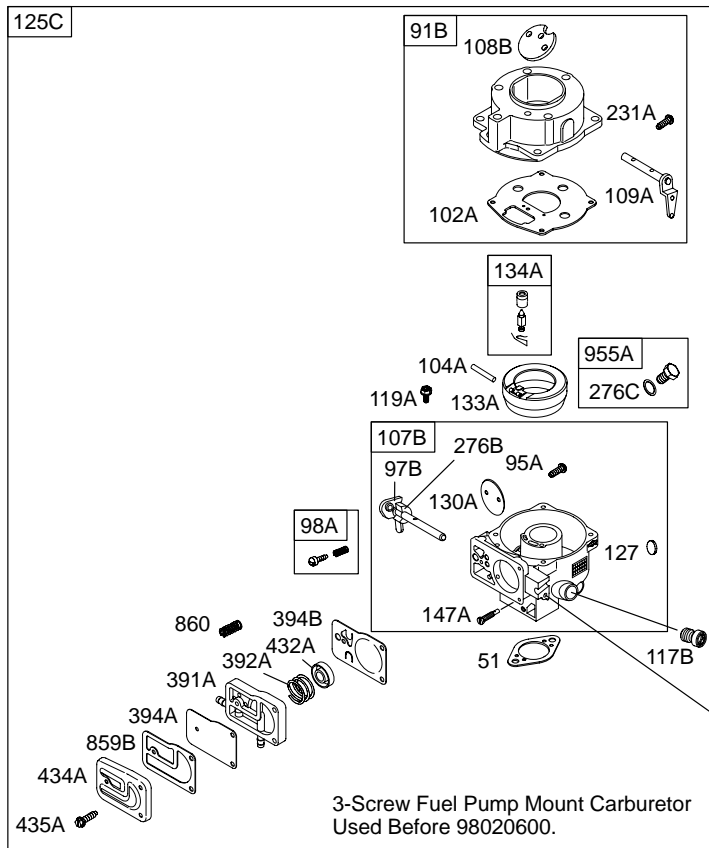
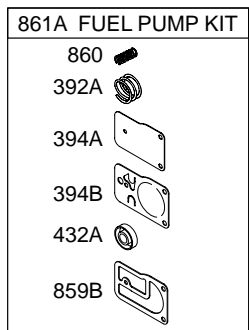
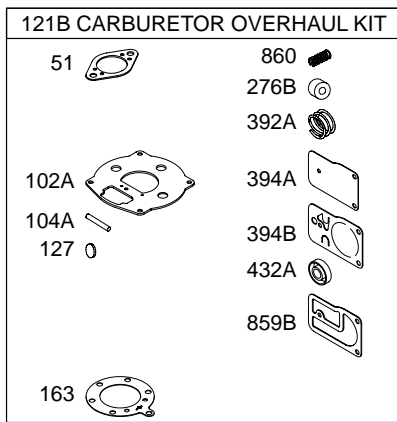
**Model 4227**

**3-Screw Fuel Pump  
Mount Carburetor  
Used Before 98020600.**

**Model 4607**

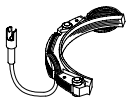
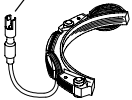





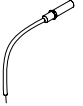
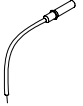

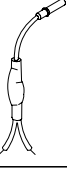
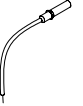
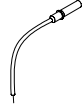
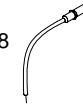

**Model 4617**

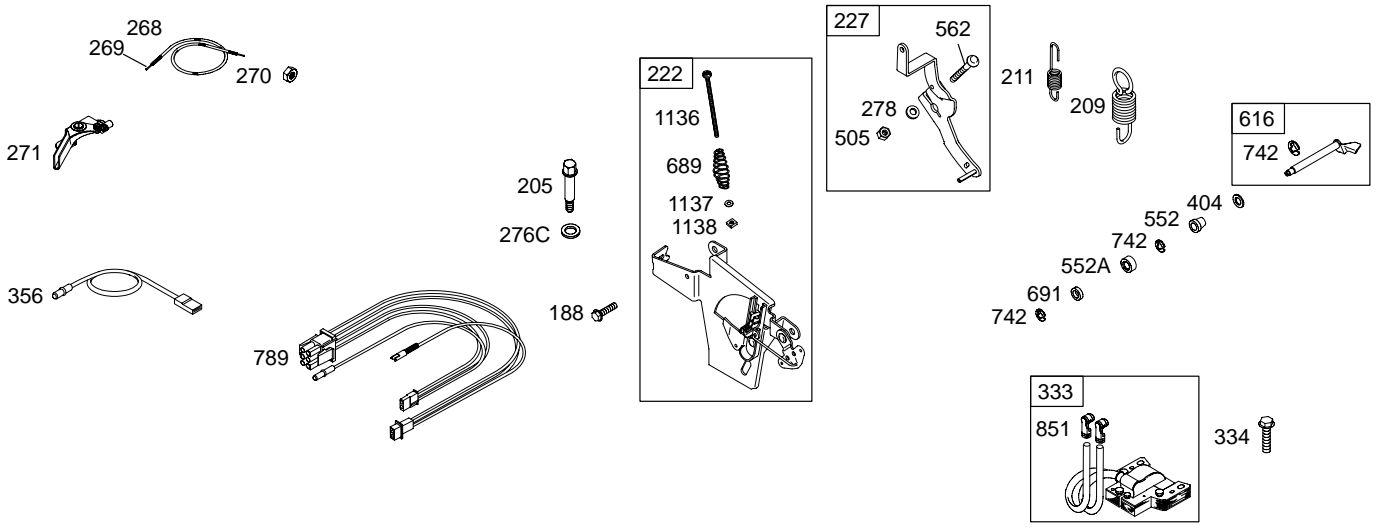
**3-Screw Fuel Pump  
Mount Carburetor  
Used Before 98020600.**



**6170-7** *Illustrations cover a range of engines. Parts shown without corresponding text may not be used on your specific engine.* **5C-6/2002**  
Assemblies include all parts shown in frames.

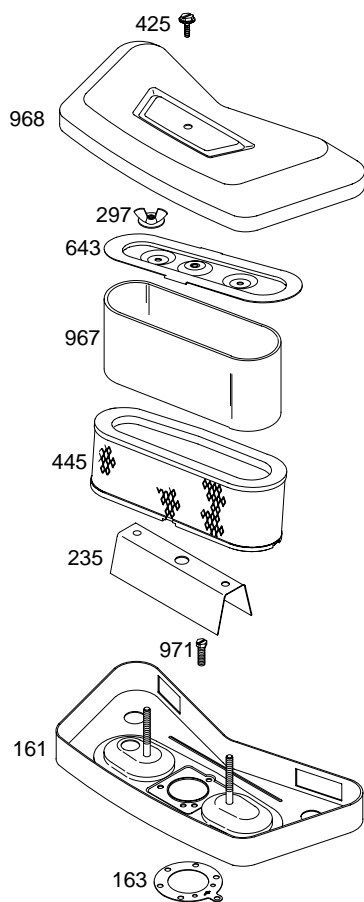
# 461700

AC ONLY	DC ONLY	DUAL CIRCUIT	TRI CIRCUIT	9 AMP	10 AMP	16 AMP
474	474A	474B	474C	474C	474D	474D
	877A 	877 	877B 	877B 	877C 	877C 
578 	578 	878 	878A 	578 	578 	578 
<p><b>NOTE:</b> All stators use a No. 1119 mounting screw. </p> <p><b>NOTE:</b> The proper flywheel part number and/or the alternator magnet size will determine the alternator type or output. See repair instruction manual for additional information.</p>						



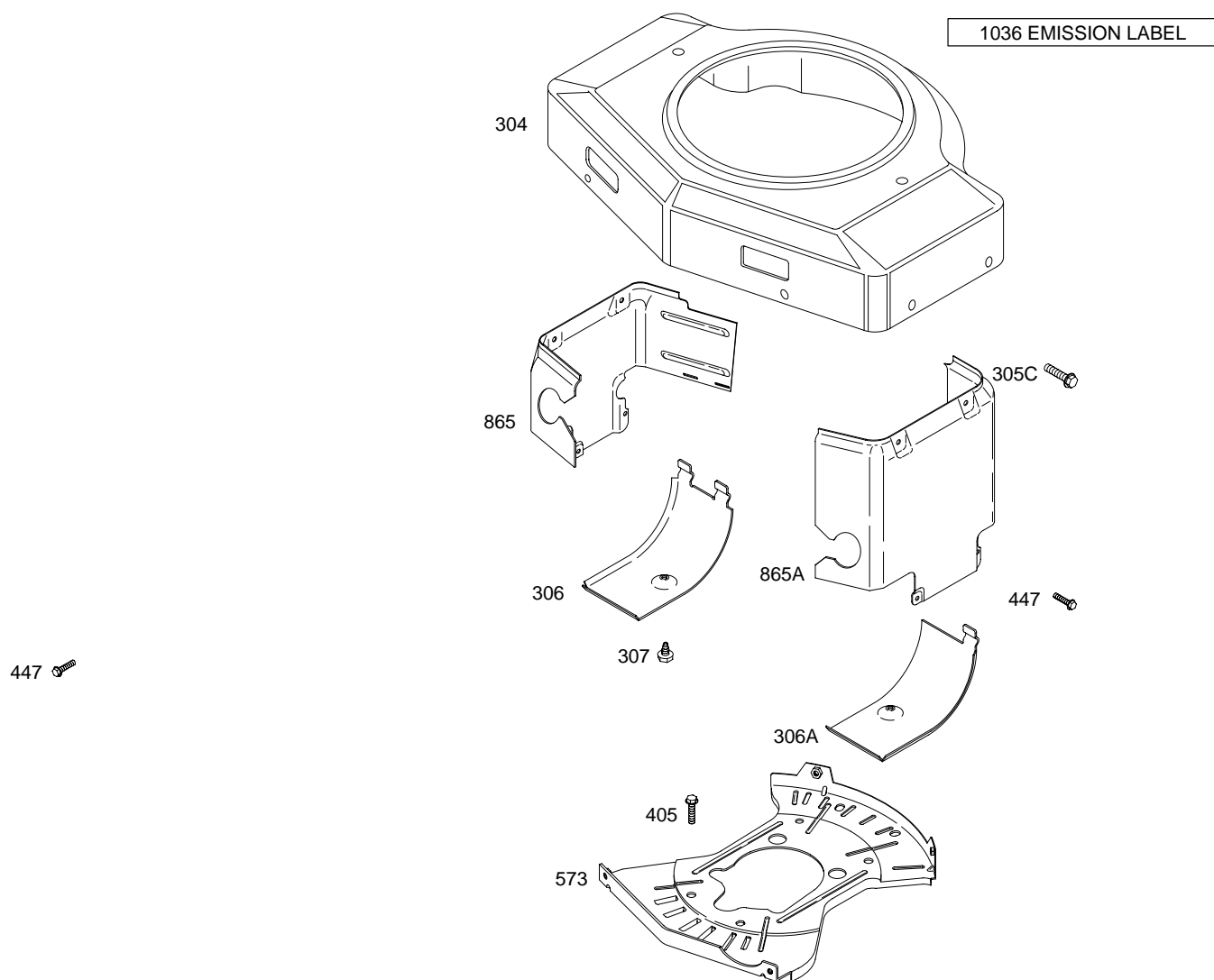
Illustrations cover a range of engines. Parts shown without corresponding text may not be used on your specific engine.  
 6170-8 Assemblies include all parts shown in frames. 5C-6/2002



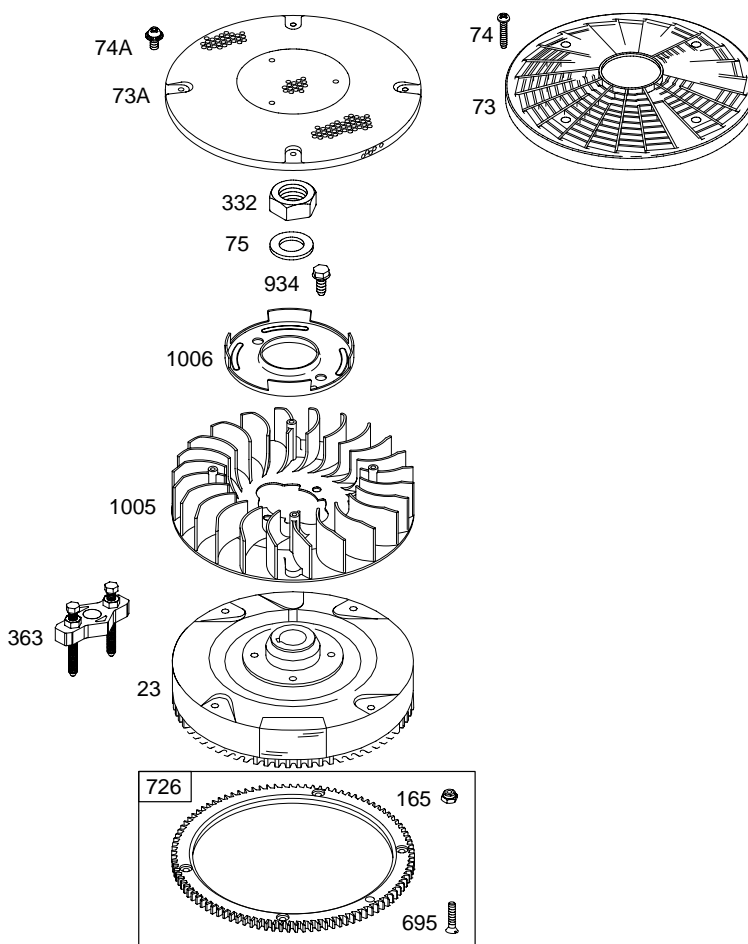


Illustrations cover a range of engines. Parts shown without corresponding text may not be used on your specific engine.  
6170-9 Assemblies include all parts shown in frames. 5C-6/2002

# 461700



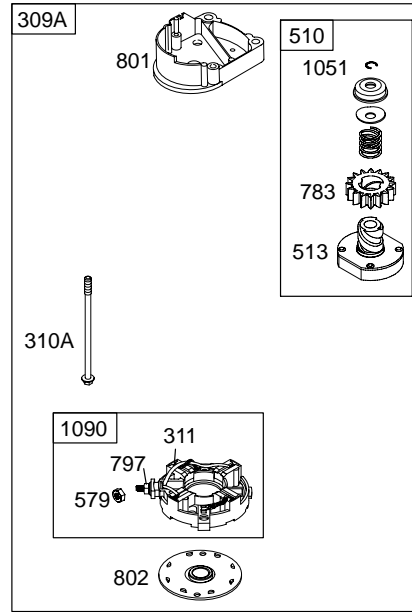
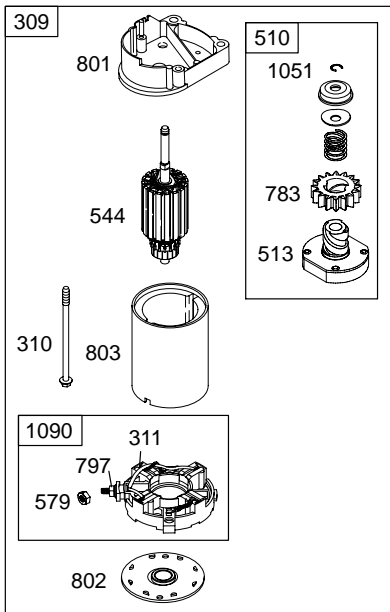
Illustrations cover a range of engines. Parts shown without corresponding text may not be used on your specific engine.  
6170-10 Assemblies include all parts shown in frames. 5C-6/2002



Illustrations cover a range of engines. Parts shown without corresponding text may not be used on your specific engine.  
6170-11 Assemblies include all parts shown in frames. 5C-6/2002

# 461700

697 



Illustrations cover a range of engines. Parts shown without corresponding text may not be used on your specific engine.  
6170-12 Assemblies include all parts shown in frames. 5C-6/2002

**461700**

REF. NO.	PART NO.	DESCRIPTION	REF. NO.	PART NO.	DESCRIPTION	REF. NO.	PART NO.	DESCRIPTION
1	498583	Cylinder Assembly	12	★692287	Gasket-Crankcase	25	498584	Piston Assembly (Standard)
2	399265	Kit-Bushing/Seal (Magneto Side)	12A	★692292	Gasket-Crankcase (.015" Thick) (Standard)			———— <b>Note</b> ———— <b>499180</b> Piston Assembly (Standard) Used on Type No(s). 0116, 0143, 0145, 0147.
3	★391086	Seal-Oil (Magneto Side)			———— <b>Note</b> ———— ★271188 Gasket-Crankcase (.005" Thick)			
4	493304	Sump-Engine (Splash Lube)			★271189 Gasket-Crankcase (.009" Thick)			
4A	692709	Sump-Engine (Pressure Lube) (Used After Code Date 98011100). Used on Type No(s). 0137.	13	691651	Screw (Cylinder Head)			<b>498585</b> Piston Assembly (.010" Oversize)
4B	692710	Sump-Engine (Pressure Lube) (Used Before Code Date 98011200). Used on Type No(s). 0137.	15	691680	Plug-Oil Drain (1/2" Square Flush)			<b>499181</b> Piston Assembly (.010" Oversize) Used on Type No(s). 0116, 0143, 0145, 0147.
5B	691162	Head-Cylinder (Cylinder 1)	15A	690946	Plug-Oil Drain (3/8" Standard)			
5C	691163	Head-Cylinder (Cylinder 2)	16A	690667	Crankshaft			
7	★Ø271867	Gasket-Cylinder Head (Cylinder 1)			———— <b>Note</b> ———— <b>690666</b> Crankshaft Used on Type No(s). 0116, 0143, 0145, 0147.			<b>498586</b> Piston Assembly (.020" Oversize)
7A	★Ø271868	Gasket-Cylinder Head (Cylinder 2)	18	495901	Cover-Crankcase			<b>499182</b> Piston Assembly (.020" Oversize) Used on Type No(s). 0116, 0143, 0145, 0147.
8	495754	Breather Assembly	19	399264	Kit-Bushing/Seal (PTO Side)			
9	★Ø27803	Gasket-Breather	20	★291675	Seal-Oil (PTO Side)			
10	690334	Screw (Breather Assembly)	22	691104	Screw (Crankcase Cover/Sump)			
11	691899	Tube-Breather	22A	693972	Screw (Crankcase Cover/ Sump)			<b>498587</b> Piston Assembly (.030" Oversize)
			23	691976	Flywheel			<b>499183</b> Piston Assembly (.030" Oversize) Used on Type No(s). 0116, 0143, 0145, 0147.
			24	222698	Key-Flywheel			

★ Included in Engine Gasket Set-Ref. No. 358.

● Included in Carburetor Overhaul Kit-Ref. No. 121.

■ Included in Carburetor Gasket Set-Ref. No. 977.

Ø Included in Valve Gasket Set-Ref. No. 1095.

*Illustrations cover a range of engines. Parts shown without corresponding text may not be used on your specific engine.*

# 461700

REF. NO.	PART NO.	DESCRIPTION	REF. NO.	PART NO.	DESCRIPTION	REF. NO.	PART NO.	DESCRIPTION
26	394959	Ring Set (Standard) <b>Note</b> 499184 Ring Set (Standard) Used on Type No(s). 0116, 0143, 0145, 0147.	32	691133	Screw (Connecting Rod)	97	693485	Shaft-Throttle
			33	691794	Valve-Exhaust	97A	691485	Shaft-Throttle
			34A	691302	Valve-Intake	98	807923	Kit-Idle Speed
			35	691605	Spring-Valve (Intake)	98A	693942	Kit-Idle Speed
			36	691597	Spring-Valve (Exhaust)	102	693509	Gasket-Carburetor Body
			40	690656	Retainer-Valve (Intake)	102A	273186	Gasket-Carburetor Body
			40A	691939	Retainer-Valve (Exhaust)	104	693506	Pin-Float Hinge
			42	494553	Keeper-Valve	104A	691775	Pin-Float Hinge
			45	691800	Tappet-Valve	105	692078	Valve-Float Needle
			46	691161	Camshaft	107	693482	Body-Lower Carburetor
			47	691964	Slinger-Oil Used on Type No(s). 0116, 0143, 0145, 0147.	107C	499656	Body-Lower Carburetor
			50	691709	Manifold-Intake	108	693505	Valve-Choke
			51	692278	Gasket-Intake	108A	691233	Valve-Choke
			51A	692219	Gasket-Intake	109	693498	Shaft-Choke
			54	93208	Screw (Intake Manifold)	109A	691957	Shaft-Choke
			73	691438	Screen-Rotating (Plastic) Used on Type No(s). 0145, 0147.	117	693538	Jet-Main (Standard)
			73A	692527	Screen-Rotating (Steel)	117D	691256	Jet-Main (Standard)
			74	691134	Screw (Rotating Screen)	118	693500	Jet-Main (High Altitude)
			74A	691677	Screw (Rotating Screen)	118C	232152	Jet-Main (High Altitude)
			75	691056	Washer (Flywheel)	119	690720	Screw (Upper To Lower Carburetor Body)
			91	693483	Body-Upper Carburetor	119A	691090	Screw (Upper To Lower Carburetor Body)
			91A	499281	Body-Upper Carburetor			
			95	690718	Screw (Throttle Valve)			
			95A	691437	Screw (Throttle Valve)			
27	691299	Lock-Piston Pin						
28	498319	Pin-Piston (Standard) <b>Note</b> 498320 Pin-Piston (.005" Oversize)						
29A	498314	Rod-Connecting (Standard) <b>Note</b> 498541 Rod-Connecting (.020" Undersize)						

★ Included in Engine Gasket Set-Ref. No. 358.

● Included in Carburetor Overhaul Kit-Ref. No. 121.

■ Included in Carburetor Gasket Set-Ref. No. 977.

∅ Included in Valve Gasket Set-Ref. No. 1095.

Illustrations cover a range of engines. Parts shown without corresponding text may not be used on your specific engine.

REF. NO.	PART NO.	DESCRIPTION	REF. NO.	PART NO.	DESCRIPTION	REF. NO.	PART NO.	DESCRIPTION
121	693503	Kit-Carburetor Overhaul (Used On 4 Screw Fuel Pump Mount Carburetors) (Used After Code Date 98091300).	188	691003	Screw (Control Bracket)	276	693497	Washer-Sealing (Carburetor Plug)
121A	694056	Kit-Carburetor Overhaul (Used On 3 Screw Fuel Pump Mount Carburetors) (Used Before Code Date 98091400).	202	690570	Link-Mechanical Governor	276A	●693510	Washer-Sealing (Foam)
122	691928	Spacer-Carburetor	203	493230	Crank-Bell	276B	●691872	Washer-Sealing (Foam)
125	693479	Carburetor (4 Screw Fuel Pump Mount)	205	690322	Screw (Bell Crank)	276C	●*691319	Washer-Sealing (Carburetor Plug)
125C		Carburetor (3 Screw Fuel Pump Mount) (Service With Reference 125)	209	691273	Spring-Governor (White)	278	692810	Washer (Governor Control Lever)
127	●691739	Plug-Welch	211	691807	Spring-Governor Idle	297	691331	Nut (Air Filter Retainer)
130	693504	Valve-Throttle	212	693544	Link-Throttle (Used On 4 Screw Fuel Pump Mount Carburetors)	304	691391	Housing-Blower (Red)
130A	691727	Valve-Throttle	212A	690571	Link-Throttle (Used On 3 Screw Fuel Pump Mount Carburetors)	————— <b>Note</b> —————		
133	693512	Float-Carburetor	219	394348	Gear-Governor	305C	690297	Screw (Blower Housing)
133A	692265	Float-Carburetor	220	690412	Washer (Governor Gear)	306	690414	Shield-Cylinder
134	●394682	Kit-Needle/Seat	222	691366	Bracket-Control	306A	690435	Shield-Cylinder
146	691639	Key-Timing	227	690762	Lever-Governor Control	307	691003	Screw (Cylinder Shield)
147	693508	Jet-Pilot	231	690718	Screw (Choke Valve)	309	497596	Motor-Starter (3-5/8" Housing Length)
147A	691431	Jet-Pilot	231A	691437	Screw (Choke Valve)	309A	498148	Motor-Starter (4-3/8" Housing Length)
161	691401	Base-Air Cleaner (Metal)	235	691206	Shield-Fuel Spray	310	690323	Bolt (Starter Motor) (For 3-5/8" Housing Length)
163	*690273	Gasket-Air Cleaner	239	491657	Switch-Oil Pressure	310A	691263	Bolt (Starter Motor) (For 4-3/8" Housing Length)
165	693148	Nut (Ring Gear)	240	394358	Filter-Fuel	311	497608	Brush Set
186	691764	Connector-Hose (Pulse Line)	247	690316	Screw (Casing Clamp)			
187	296004	Line-Fuel (Cut to Required Length)	268	691025	Casing-Control Wire (Cut To Required Length)			
		————— <b>Note</b> —————	269	691026	Wire-Control (Cut to Required Length)			
		499167 Line-Fuel (Cut to Required Length) Used on Type No(s). 0145, 0147.	270	691027	Nut (Control Wire Casing)			
			271	691028	Lever-Control			

★ Included in Engine Gasket Set-Ref. No. 358.

● Included in Carburetor Overhaul Kit-Ref. No. 121.

■ Included in Carburetor Gasket Set-Ref. No. 977.

∅ Included in Valve Gasket Set-Ref. No. 1095.

*Illustrations cover a range of engines. Parts shown without corresponding text may not be used on your specific engine.*

# 461700

REF. NO.	PART NO.	DESCRIPTION	REF. NO.	PART NO.	DESCRIPTION	REF. NO.	PART NO.	DESCRIPTION
332	691059	Nut (Flywheel)	435	693494	Screw (Diaphragm Cover)	579	690958	Nut (Starter Cable)
333	394891	Armature-Magneto (MAGNETRON®)	435A	691085	Screw (Diaphragm Cover)	601	95162	Clamp-Tube (Zinc Plate) (Spring Wire)
334	691061	Screw (Magneto Armature)	439	690589	Seal-O Ring (Crankcase Cover/Sump)	615	690317	Retainer-Governor Shaft
337	802592	Plug-Spark (Resistor)	441	691176	Bracket-Oil Fill	616	491530	Crank-Governor
356	690807	Wire-Stop (1 Wire, 15-13/16" Long)(Snap Connect Insulated Female Blade Terminal, And Snap Connect Insulated Pin Socket)	445	394019	Filter-Air Cleaner Cartridge	629	262539	Spring-Throttle Return
358	495868	Gasket Set-Engine	447	690297	Screw (Air Guide Cover)	635	66538	Boot-Spark Plug
359	691077	Washer (Ground Terminal)	449	691044	Screw (Oil Fill Bracket)	643	496700	Retainer-Air Filter
363	19203	Puller-Flywheel	474B	696459	Alternator (Dual Circuit)	689	690555	Spring-Friction
365	690321	Screw (Carburetor)	505	691029	Screw (Governor Control Lever)	691	★690657	Seal-Governor Shaft
373	691612	Nut (Ground Terminal)	507	691972	Insulator	695	693149	Screw (Ring Gear)
383	89838	Wrench-Spark Plug	510	497606	Drive-Starter	697	691625	Screw (Drive Cap)
391	693487	Body-Fuel Pump	513	692024	Clutch-Drive	716	220863	Washer (Connecting Rod)
391A	691896	Body-Fuel Pump	520	691084	Terminal-Ground	725	280866	Shield-Heat Used on Type No(s). 0145, 0147.
392	●693491	Spring-Pump Diaphragm	523	691385	Dipstick	726	391362	Gear-Ring (Includes Mounting Hardware)
392A	●691801	Spring-Pump Diaphragm	524	★692532	Seal-Dipstick Tube	737	690332	Screw (Oil Filter Adapter)
394	●693489	Diaphragm-Carburetor	525	690823	Tube-Dipstick	741	691285	Gear-Timing
394A	●691871	Diaphragm-Carburetor	527	690423	Clamp-Tube	742	690328	Retainer-E Ring
394B	●272638	Diaphragm-Carburetor	544	692034	Armature-Starter (3-5/8" Housing Length)	750	690960	Screw (Oil Pump Cover) (Used After Code Date 98011100).
395	690481	Cover-Valve Chamber	551	690415	Cover-Valve	750A	690336	Screw (Oil Pump Cover) (Used Before Code Date 98011200).
404	690442	Washer (Governor Crank)	552	690553	Bushing-Governor Crank	773	692334	Retainer
405	690364	Screw (Back Plate)	552A	690552	Bushing-Governor Crank	783	693059	Gear-Pinion
415	690283	Plug (Oil Pressure Switch)	562	690311	Bolt (Governor Control Lever)	789	695050	Harness-Wiring (6 Pin Customer Conversion)
425	691675	Screw (Air Cleaner Cover)	573	696040	Plate-Back (Used After Code Date 00101500).	797	693167	Nut (Brush Retainer)
432	●693492	Cap-Spring	<b>Note</b> _____					
432A	●690766	Cap-Spring		690764	Plate-Back (Used Before Code Date 00101600).			
434	693493	Cover-Diaphragm						

★ Included in Engine Gasket Set-Ref. No. 358.

● Included in Carburetor Overhaul Kit-Ref. No. 121.

■ Included in Carburetor Gasket Set-Ref. No. 977.

∅ Included in Valve Gasket Set-Ref. No. 1095.

*Illustrations cover a range of engines. Parts shown without corresponding text may not be used on your specific engine.*



**461700**

REF. NO.	PART NO.	DESCRIPTION	REF. NO.	PART NO.	DESCRIPTION	REF. NO.	PART NO.	DESCRIPTION
801	691967	Cap-Drive	877	393456	Wire/Connector-Alternator (Dual Circuit)	1036	696779	Label-Emission (Used After Code Date 01093000).
802	691286	Cap-End	878	691237	Harness-Alternator			<b>Note</b>
803	693757	Housing-Starter (3-5/8" Housing Length)	918	393815	Hose-Vacuum (Cylinder To Impulse Pump) (Cut to Required Length)			695702 Label-Emission (Used After Code Date 00063000 and Before Code Date 0100100).
		<b>Note</b>	934	691058	Screw (Fan Retainer)			694979 Label-Emission (Used After Code Date 99093000 and Before Code Date 00070100).
		(4-3/8" Housing Length) (Service With Reference 309A, Part Number 498148)	943	690589	Seal-O Ring (Oil Pump Cover)			694402 Label-Emission (Used After Code Date 98123100 and Before Code Date 99100100).
807	693511	Spacer-Throttle	947	693495	Solenoid-Fuel (Used After Code Date 98091300).			499382 Label-Emission (Used Before Code Date 99010100).
842	271170	Seal-O Ring (Dipstick)	947A	397266	Solenoid-Fuel	1051	691265	Ring-Retaining
847	495715	Dipstick/Tube Assembly	955	693513	Plug-Carburetor	1058	274796	Owner's Manual (Emission)
851	493880	Terminal-Spark Plug	955A	397882	Plug-Carburetor	1090	691293	Retainer-Brush
859	693488	Gasket-Carburetor Pump	965	499613	Cover-Oil Pump (Used After Code Date 98011100).	1095	498047	Gasket Set-Valve
859A	693490	Gasket-Carburetor Pump	965A	492197	Cover-Oil Pump (Used Before Code Date 98011200).	1119	691183	Screw (Alternator)
859B	691873	Gasket-Carburetor Pump	967	272490	Filter-Pre Cleaner	1132	690353	Screw (Oil Slinger)
860	691799	Spring-Diaphragm	968	691207	Cover-Air Cleaner	1136	690329	Screw (Control Bracket) (High Speed Control)
861	693502	Kit-Fuel Pump (Used On 4 Screw Fuel Pump Mount Carburetors)	971	691100	Screw (Air Cleaner Base To Carburetor)	1137	690390	Washer (Control Bracket) (High Speed Control)
861A	393397	Kit-Fuel Pump (Used On 3 Screw Fuel Pump Mount Carburetors)	988	691313	Gasket-Oil Adapter	1138	690330	Nut (Control Bracket) (High Speed Control)
865	691196	Cover-Air Guide	1005	498157	Fan-Flywheel	1154	690366	Screw (Valve Chamber Cover)
865A	691197	Cover-Air Guide	1006	691247	Retainer-Fan	1159	690286	Washer (Oil Slinger)
868A	692036	Seal-Valve (Brown)	1017	690770	Screen-Oil Pump Used on Type No(s). 0137.			
868B	691891	Seal-Valve	1019	496726	Kit-Label			
869	691802	Seat-Valve (Intake)	1024	499054	Pump-Oil			
870	691844	Seat-Valve (Exhaust)	1027	492932	Filter-Oil			
871	261961	Bushing-Valve Guide (Exhaust)	1028	491721	Adapter-Oil Filter			
		<b>Note</b>	1032	491710	Ball-Oil Pump			
		231218 Bushing-Valve Guide (Intake)	1035	693158	Shaft-Pump			

★ Included in Engine Gasket Set-Ref. No. 358.

● Included in Carburetor Overhaul Kit-Ref. No. 121.

■ Included in Carburetor Gasket Set-Ref. No. 977.

∅ Included in Valve Gasket Set-Ref. No. 1095.

*Illustrations cover a range of engines. Parts shown without corresponding text may not be used on your specific engine.*

For Briggs & Stratton Discount Parts Call 606-678-9623 or 606-561-4983

For Briggs & Stratton Discount Parts Call 606-678-9623 or 606-561-4983

