

460700

Illustrated Parts List

Model Series

460700

TYPE NUMBERS
1107 through 2641.

For Use On Engines Built Before Date Code – 02050900

TABLE OF CONTENTS

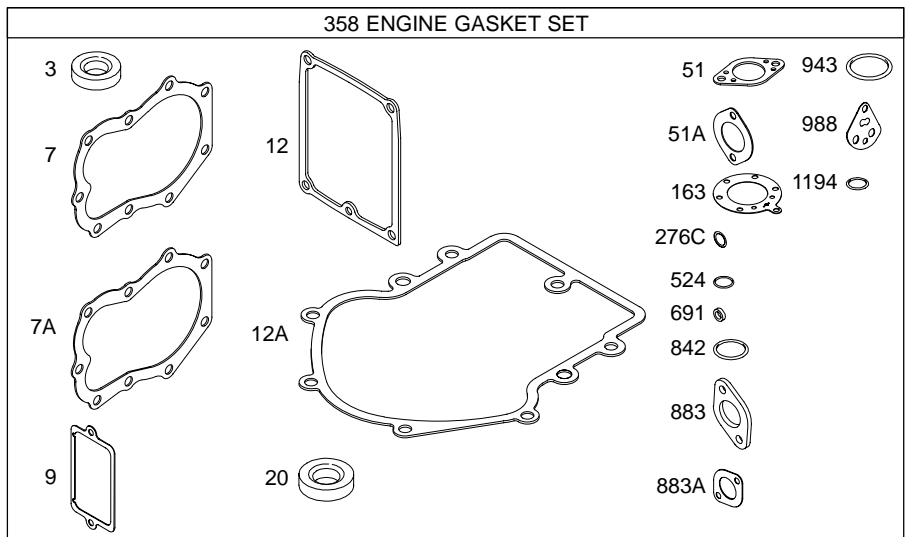
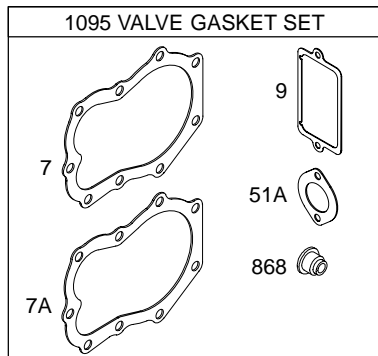
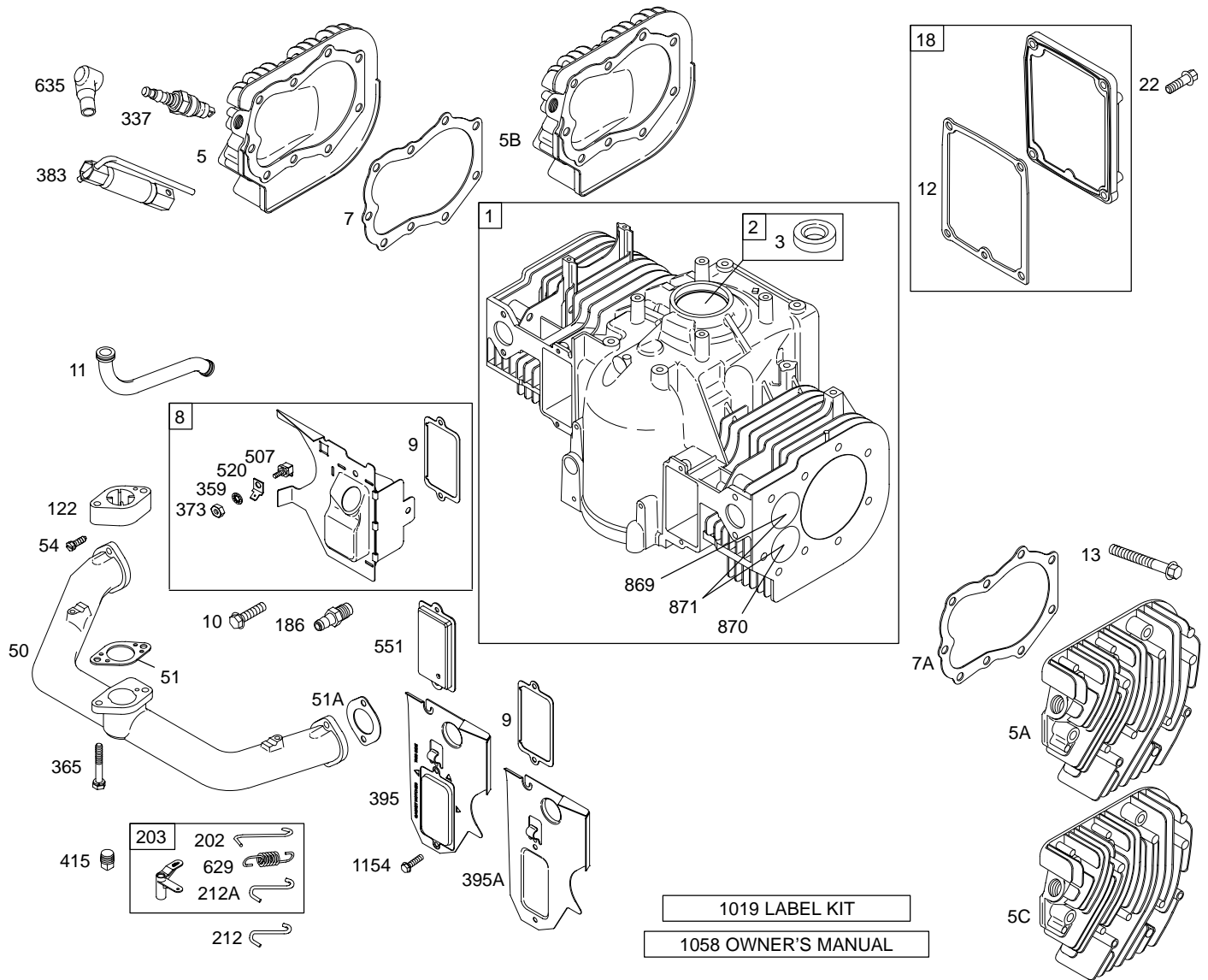
Air Cleaner	9
Alternator	8
Blower Housing/Shrouds	10
Cam	3
Carburetor	6
Carburetor	7
Controls	8
Crankcase Cover/Cylinder	2
Crankshaft	3
Electric Starter	12
Flywheel	11
Head	2
Kit/Gasket Sets – Carburetor	6
Kit/Gasket Sets – Engine	2
Kit/Gasket Sets – Fuel Pump	6
Kit/Gasket Sets – Valve	2
Muffler	9
Oil	4
Piston	3
Sump	5
Valves	3



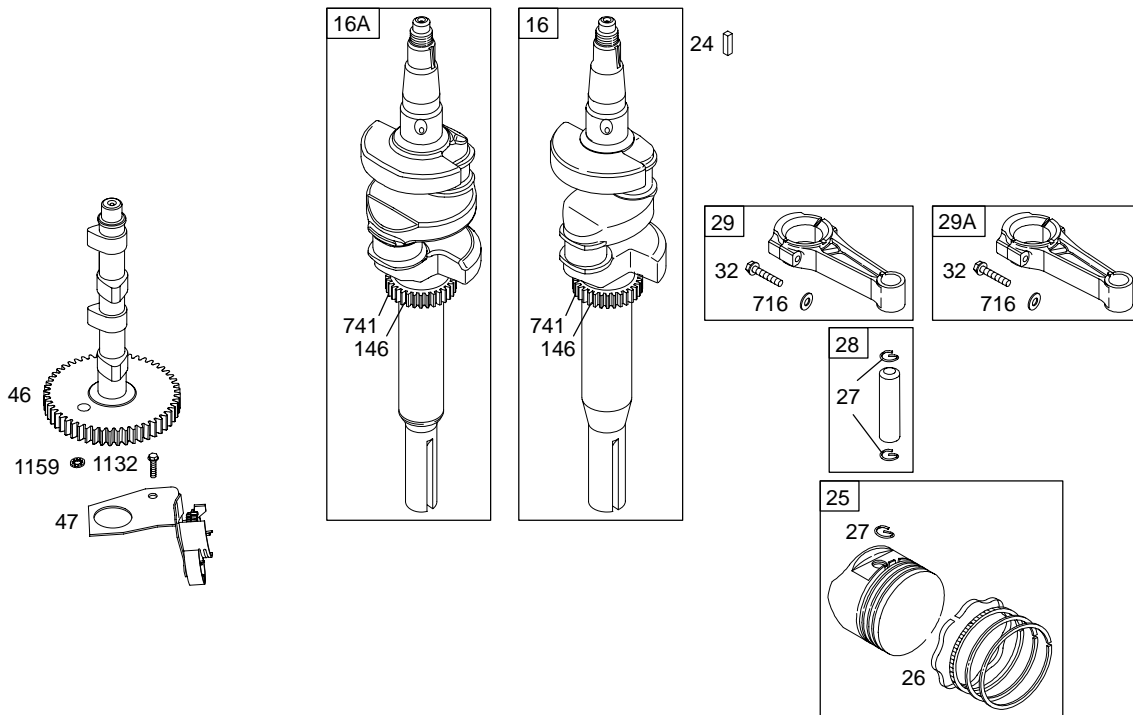
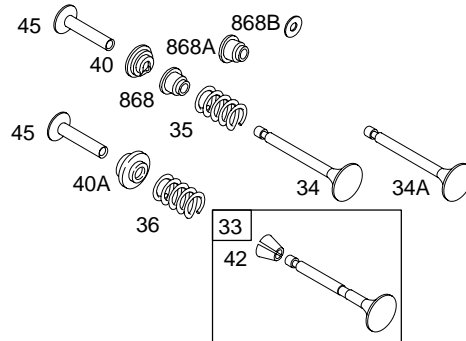
PRINTED IN U.S.A.

COPYRIGHT by BRIGGS & STRATTON CORPORATION
 All rights reserved. No part of this material may be reproduced or transmitted,
 in any form or by any means, electronic or mechanical, including photocopying,
 recording or by any information storage and retrieval system, without permission
 in writing from Briggs & Stratton Corporation.

460700

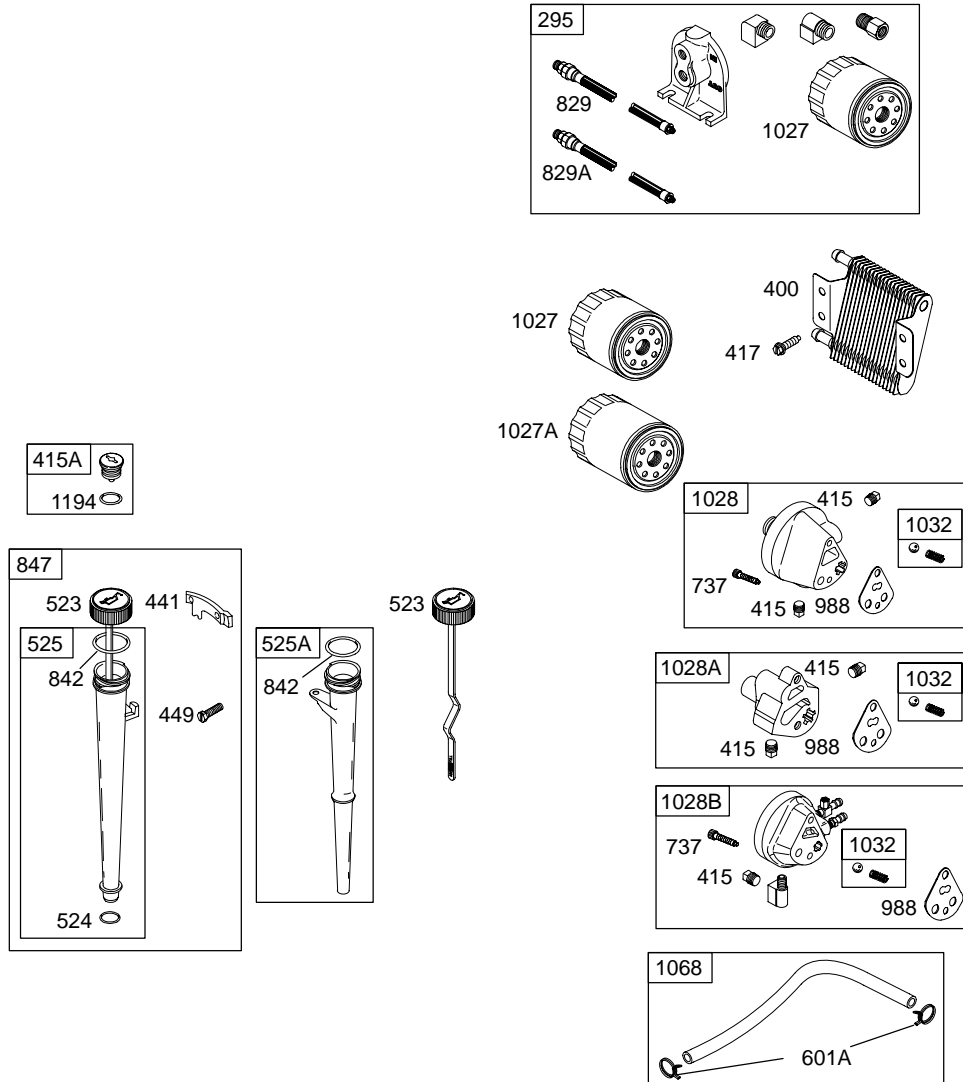


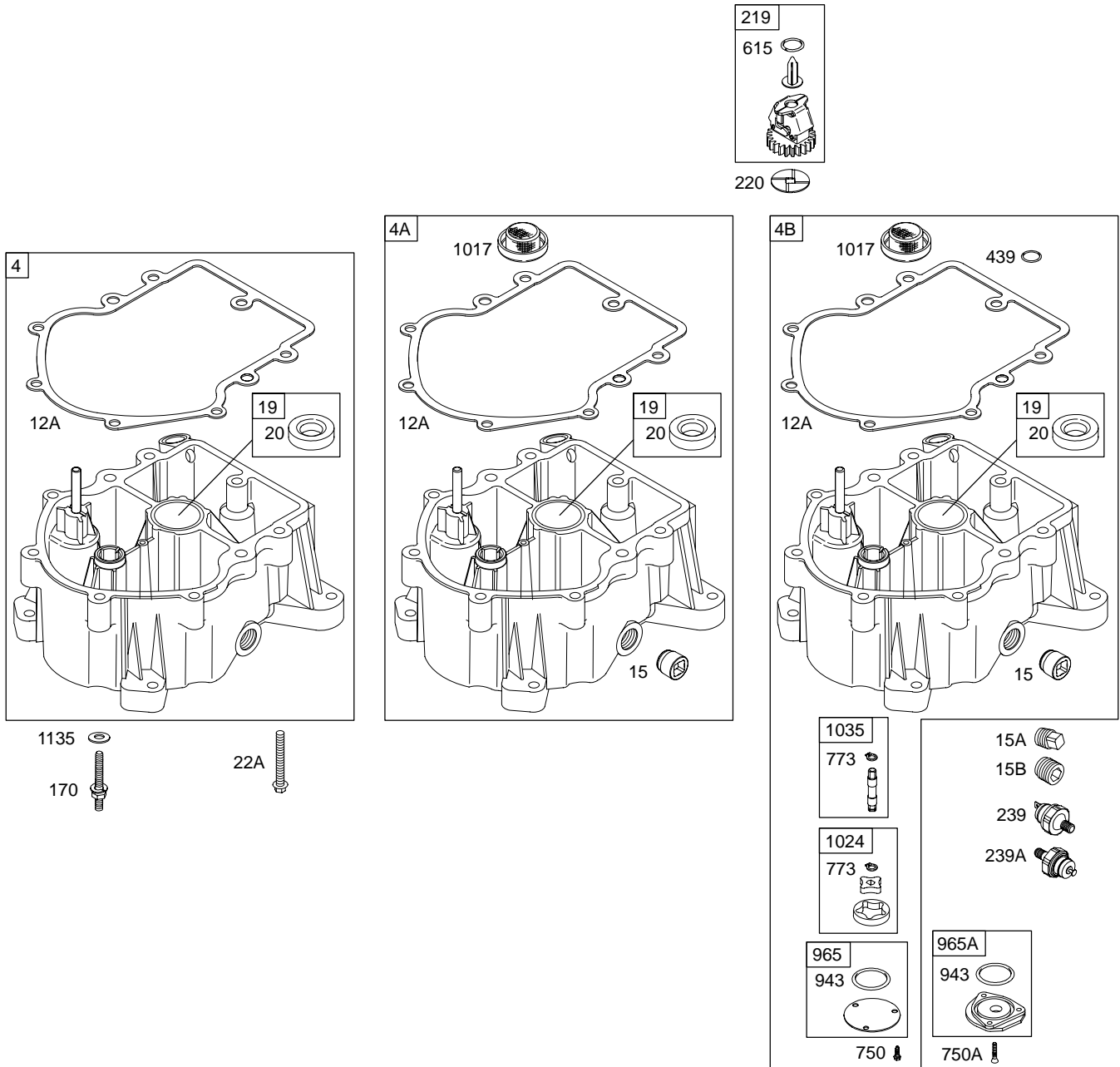
Illustrations cover a range of engines. Parts shown without corresponding text may not be used on your specific engine.
 1101-2 Assemblies include all parts shown in frames. 5C-6/2002



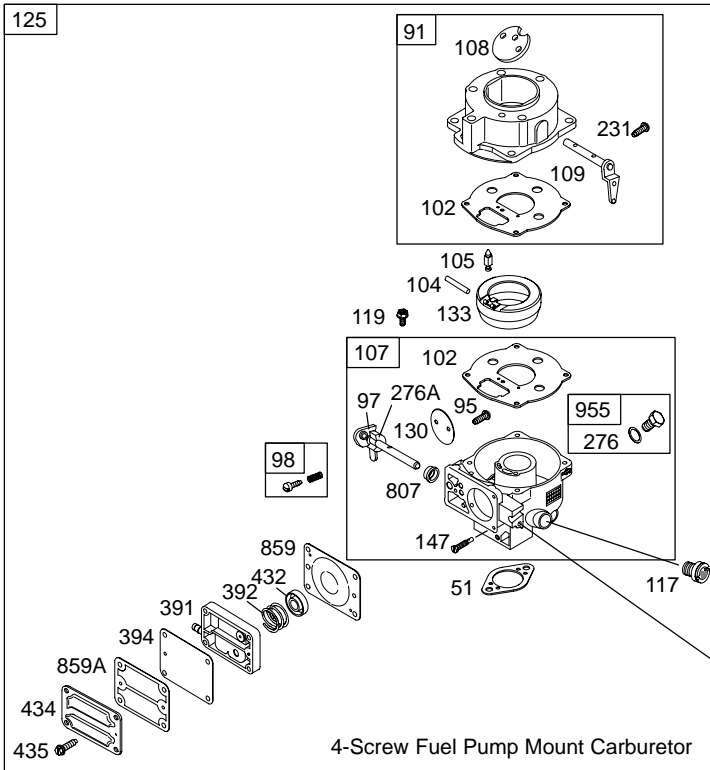
1101-3 *Illustrations cover a range of engines. Parts shown without corresponding text may not be used on your specific engine.* Assemblies include all parts shown in frames. 5C-6/2002

460700



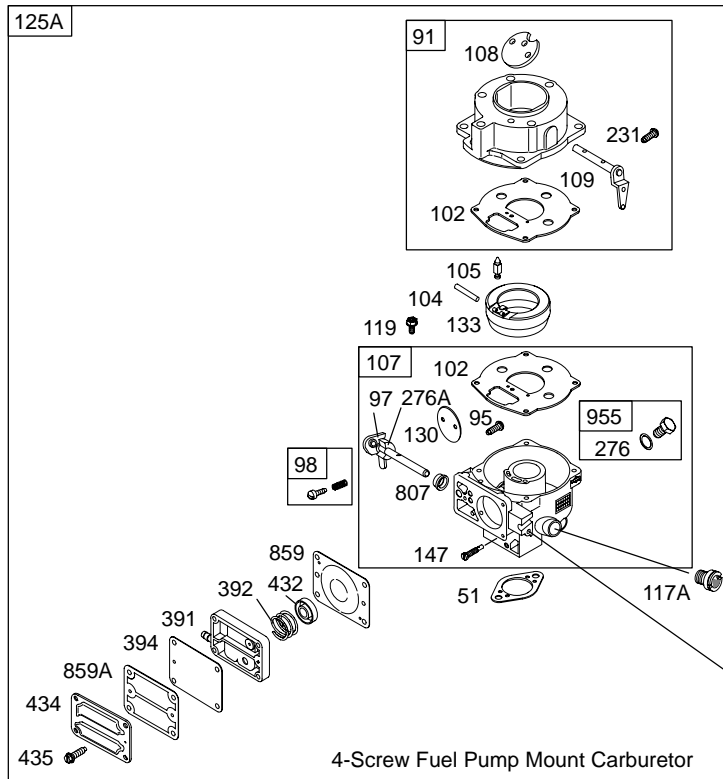
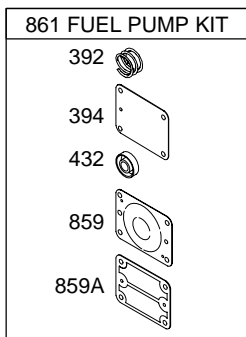
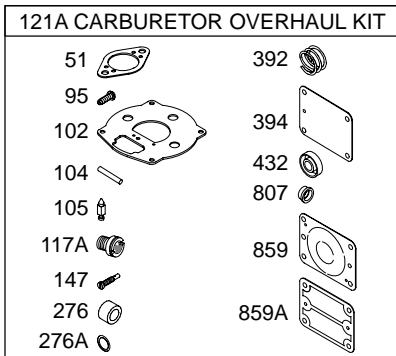
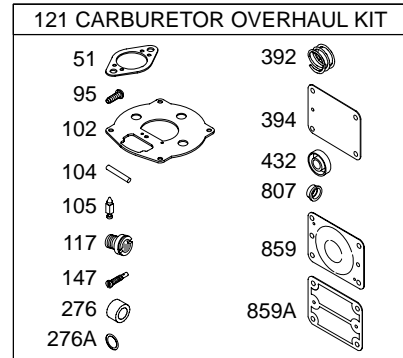
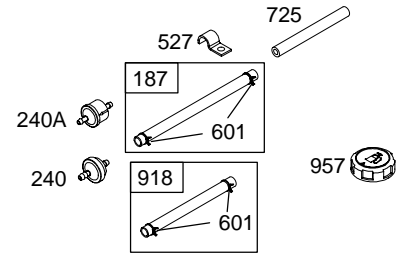


460700

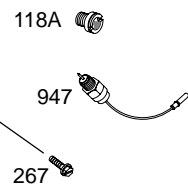


- Model 4607
- Model 4617
- Model 4627
- Model 4637

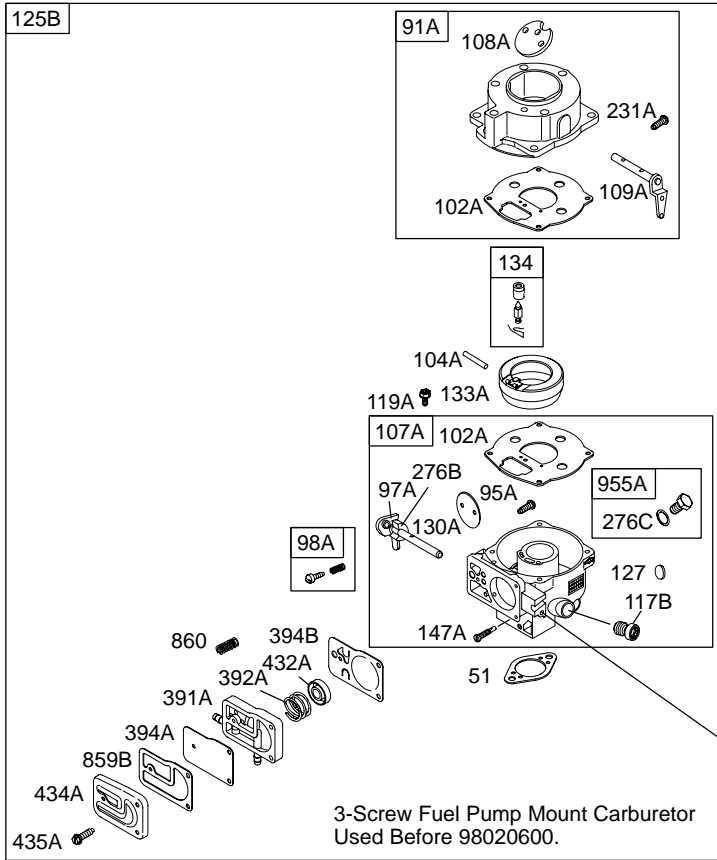
SEE ADDITIONAL PAGES FOR MORE CARBURETOR INFORMATION



- Model 42A7
- Model 42B7
- Model 42D7
- Model 42E7
- Model 4227

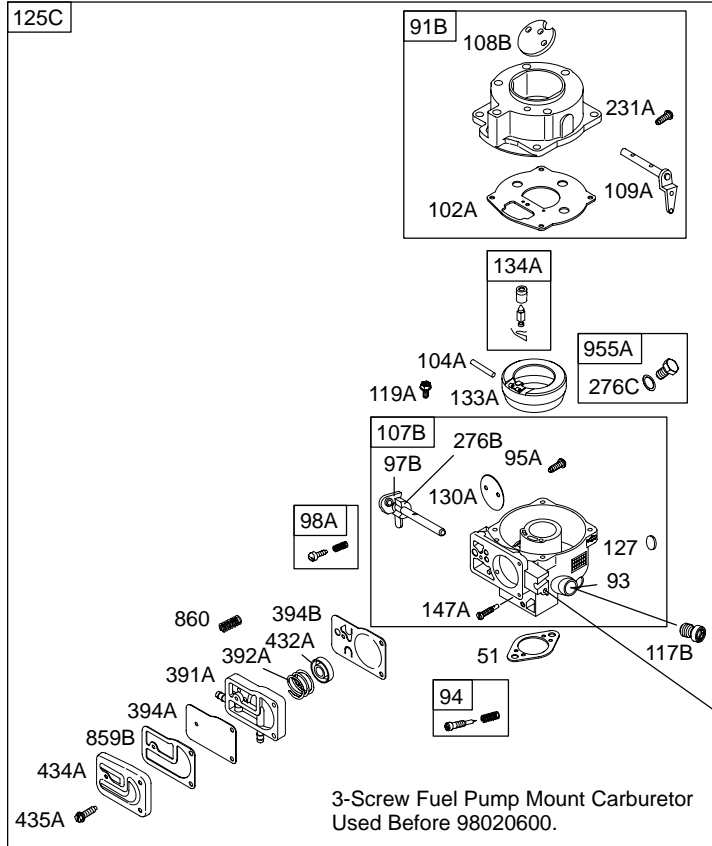
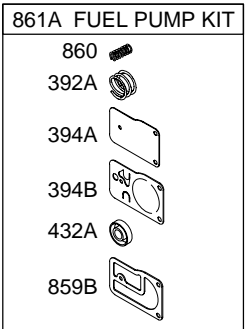
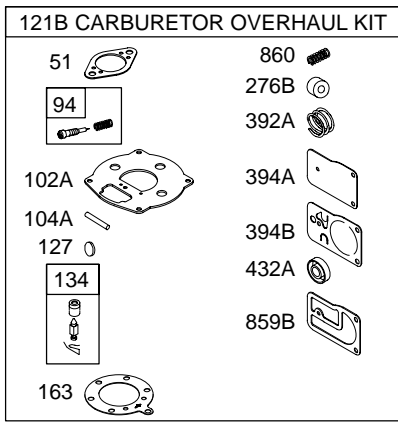
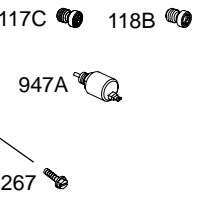


Illustrations cover a range of engines. Parts shown without corresponding text may not be used on your specific engine. 1101-6 Assemblies include all parts shown in frames. 5C-6/2002



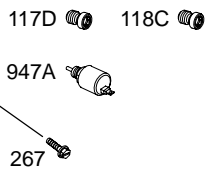
- Model 42A7
- Model 42B7
- Model 42D7
- Model 42E7
- Model 42Z7

3-Screw Fuel Pump Mount Carburetor
Used Before 98020600.



- Model 4607
- Model 4617

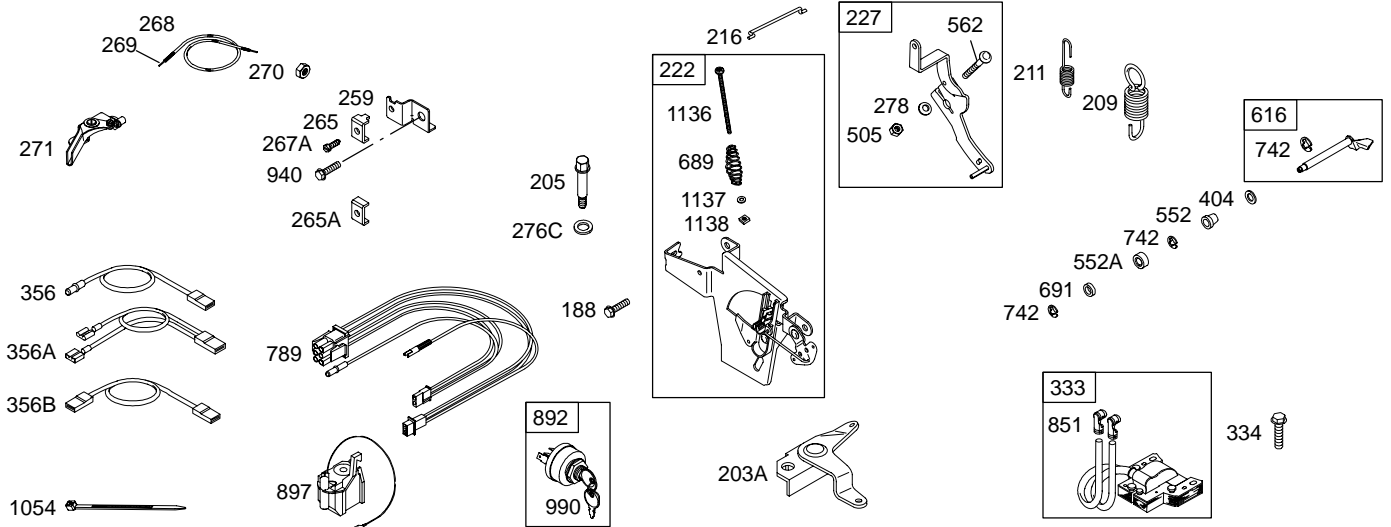
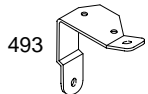
3-Screw Fuel Pump Mount Carburetor
Used Before 98020600.



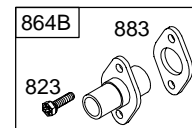
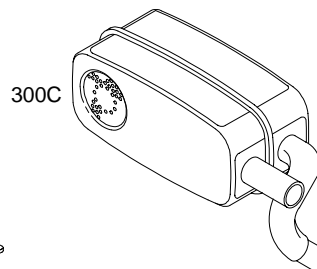
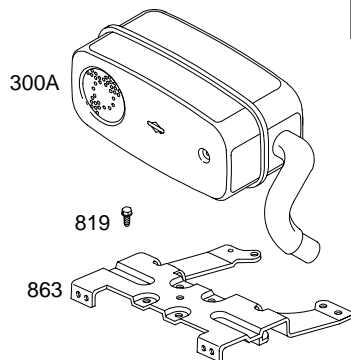
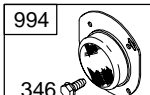
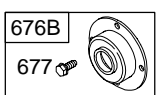
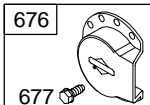
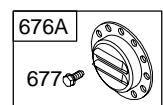
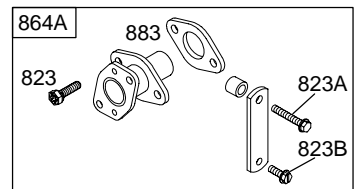
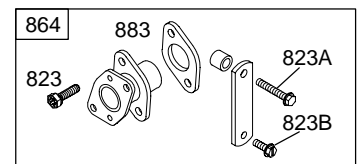
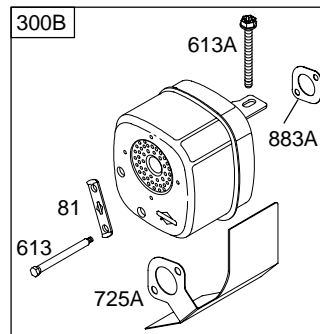
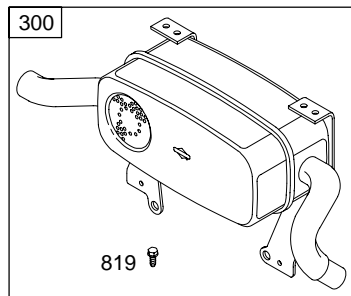
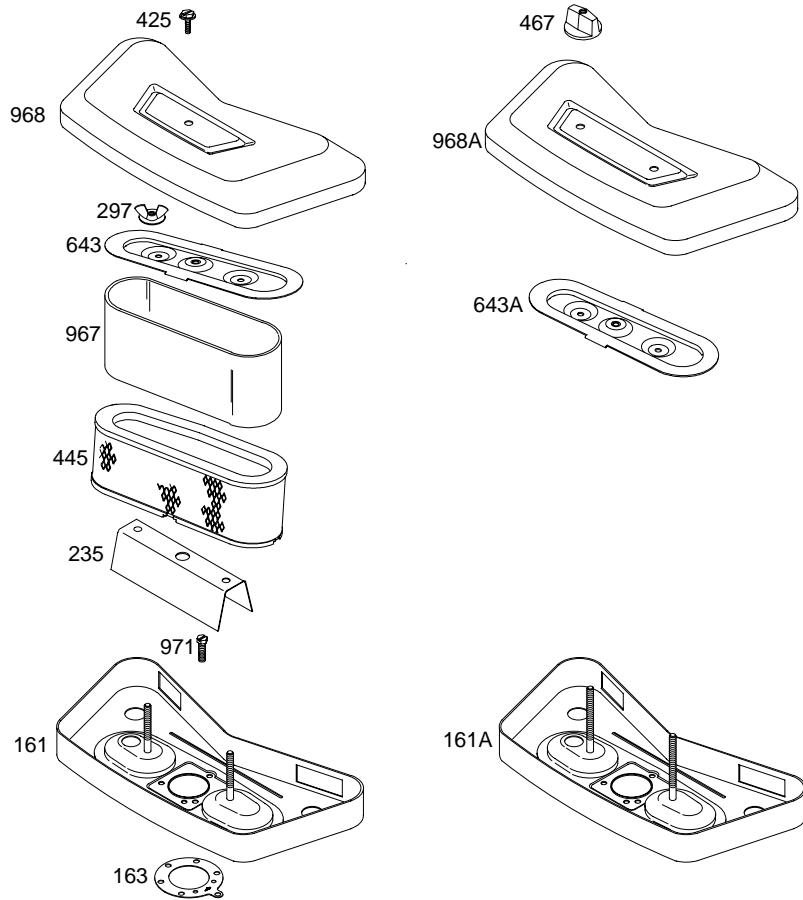
Illustrations cover a range of engines. Parts shown without corresponding text may not be used on your specific engine.
1101-7 Assemblies include all parts shown in frames. 5C-6/2002

460700

AC ONLY	DC ONLY	DUAL CIRCUIT	TRI CIRCUIT	9 AMP	10 AMP	16 AMP
474	474A	474B	474C	474C	474D	474D
	877A	877	877B	877B	877C	877C
578	578	878	878A	578	578	578
<p>NOTE: All Stators Use a No. 1119 Mounting Screw. </p> <p>NOTE: The proper flywheel part number and/or the alternator magnet size will determine the alternator type or output. See repair instruction manual for additional information.</p>				526A	526	
				501A	501	

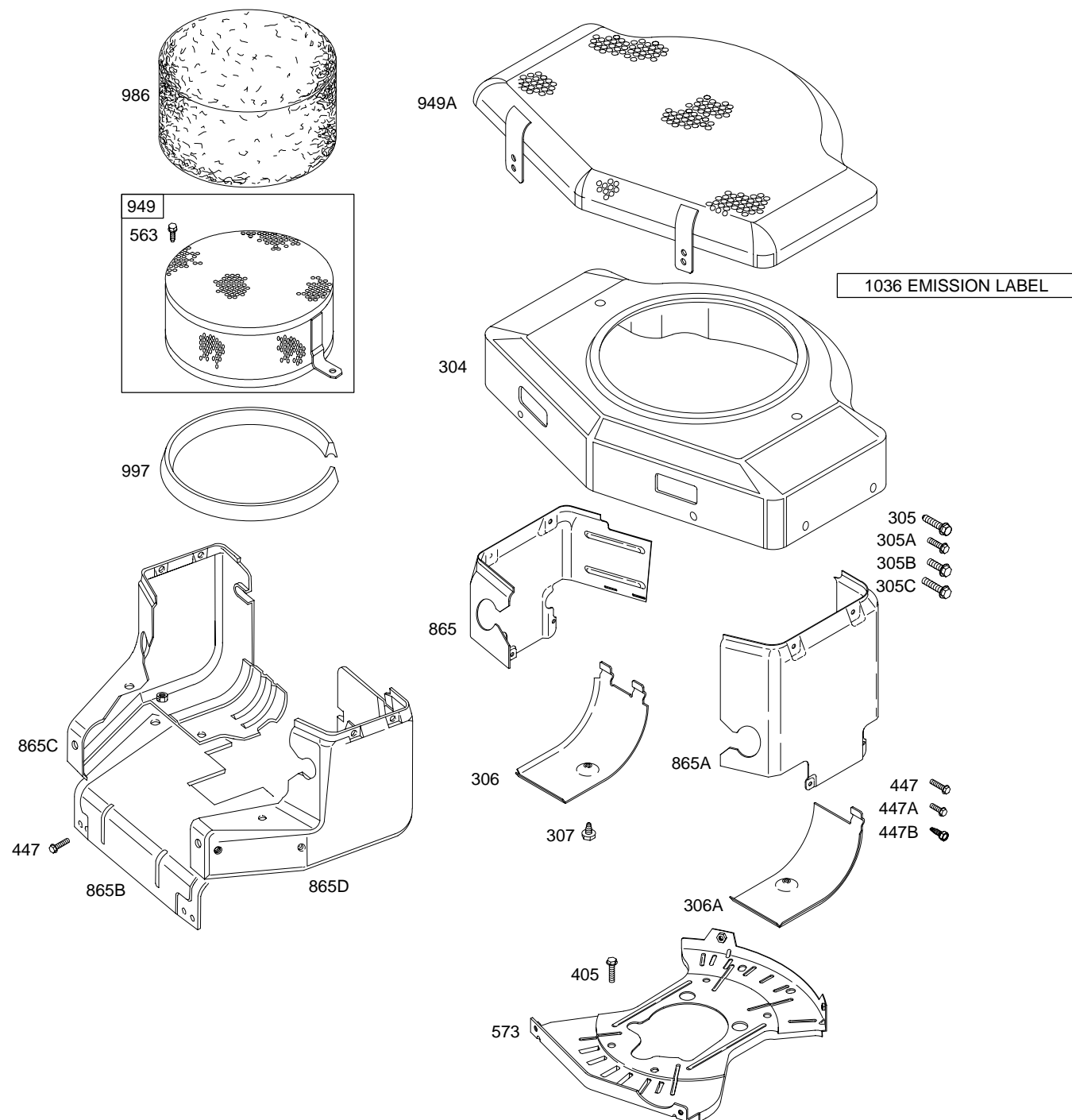


Illustrations cover a range of engines. Parts shown without corresponding text may not be used on your specific engine.
 1101-8 Assemblies include all parts shown in frames. 5C-6/2002

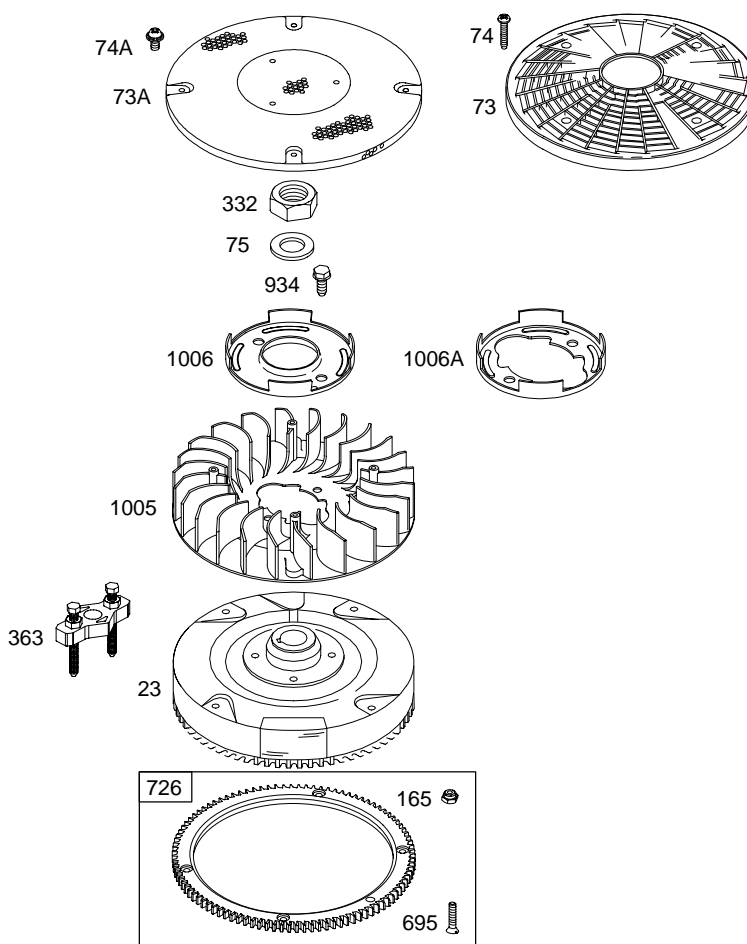


1101-9 *Illustrations cover a range of engines. Parts shown without corresponding text may not be used on your specific engine.* Assemblies include all parts shown in frames. 5C-6/2002

460700



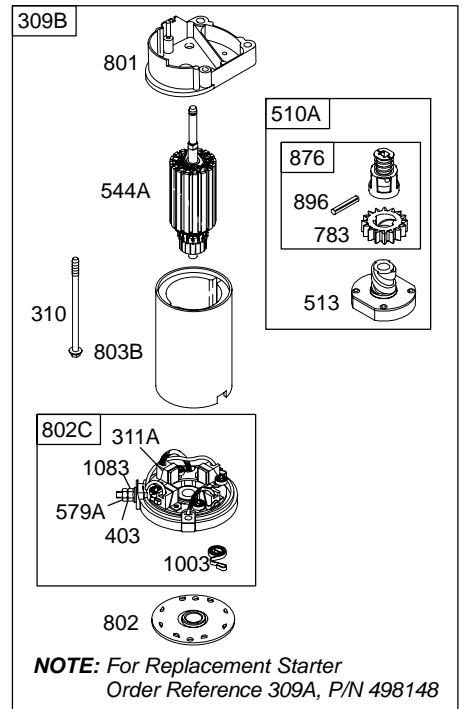
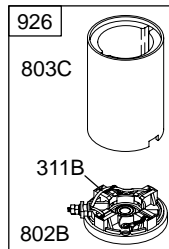
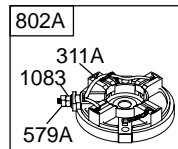
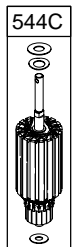
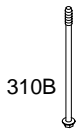
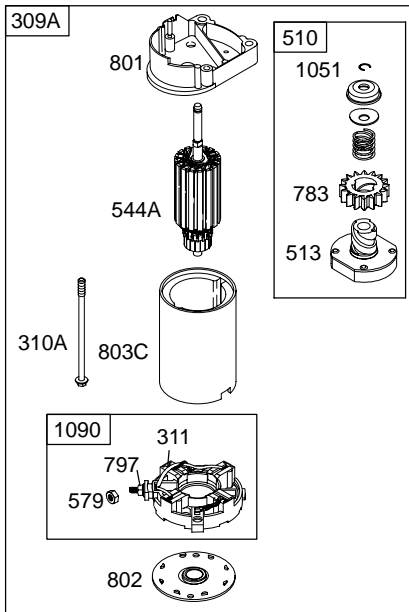
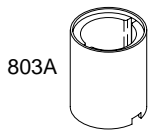
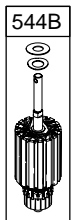
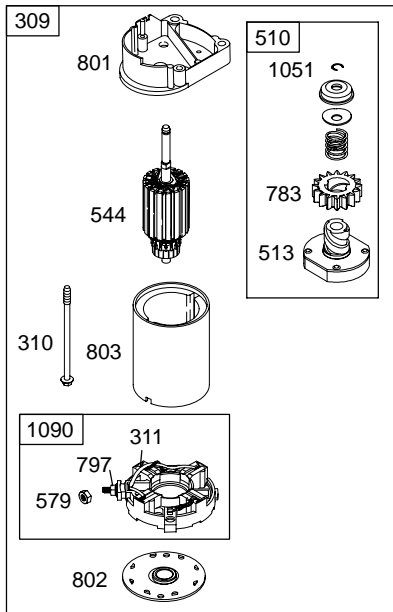
1101-10 *Illustrations cover a range of engines. Parts shown without corresponding text may not be used on your specific engine.* Assemblies include all parts shown in frames. 5C-6/2002



1101-11 *Illustrations cover a range of engines. Parts shown without corresponding text may not be used on your specific engine.* Assemblies include all parts shown in frames. 5C-6/2002

460700

697 



Illustrations cover a range of engines. Parts shown without corresponding text may not be used on your specific engine.
1101-12 Assemblies include all parts shown in frames. 5C-6/2002

REF. NO.	PART NO.	DESCRIPTION	REF. NO.	PART NO.	DESCRIPTION	REF. NO.	PART NO.	DESCRIPTION		
1	498583	Cylinder Assembly	13	691651	Screw (Cylinder Head)	25	498584	Piston Assembly (Standard)		
2	399265	Kit-Bushing/Seal (Magneto Side)	15	691680	Plug-Oil Drain (1/2" Square Flush)	———— Note ————		499180	Piston Assembly (Standard)	
3	★391086	Seal-Oil (Magneto Side)	15A	690946	Plug-Oil Drain (3/8" Standard)			Used on Type No(s). 1107, 1278, 1600, 1631, 1637, 1707, 2278, 2600, 2631, 2637, 2641.		
4	493304	Sump-Engine (Splash Lube) Used on Type No(s). 1107, 1278, 1600, 1631, 1637, 1707, 2278, 2600, 2631, 2637, 2641.	16	690667	Crankshaft ———— Note ———— 690666 Crankshaft Used on Type No(s). 1107, 1278, 1600, 1631, 2278, 2600, 2631, 2637, 2641.			498585 Piston Assembly (.010" Oversize)		
4A	692709	Sump-Engine (Pressure Lube) (Used After Code Date 98011100).	18	495901	Cover-Crankcase			499181 Piston Assembly (.010" Oversize)		
4B	692710	Sump-Engine (Pressure Lube) (Used Before Code Date 98011200).	19	399264	Kit-Bushing/Seal (PTO Side)			Used on Type No(s). 1107, 1278, 1600, 1631, 1637, 1707, 2278, 2600, 2631, 2637, 2641.		
5	691162	Head-Cylinder (Cylinder 1)	20	★291675	Seal-Oil (PTO Side)					
5A	691163	Head-Cylinder (Cylinder 2)	22	691104	Screw (Crankcase Cover/Sump)					
7	★Ø271867	Gasket-Cylinder Head (Cylinder 1)	22A	693972	Screw (Crankcase Cover/Sump)					
7A	★Ø271868	Gasket-Cylinder Head (Cylinder 2)	23	691976	Flywheel ———— Note ———— 690655 Flywheel Used on Type No(s). 1107, 1127, 1288, 1289, 1637, 1707, 1727, 1888, 2127, 2288, 2289, 2290, 2637, 2641.			498586 Piston Assembly (.020 Oversize)		
8	495754	Breather Assembly							499182 Piston Assembly (.020" Oversize)	
9	★Ø27803	Gasket-Breather							Used on Type No(s). 1107, 1278, 1600, 1631, 1637, 1707, 2278, 2600, 2631, 2637, 2641.	
10	690334	Screw (Breather Assembly)								
11	691899	Tube-Breather								
12	★692287	Gasket-Crankcase	24	222698	Key-Flywheel					
12A	★692292	Gasket-Crankcase (.015" Thick) (Standard) ———— Note ———— ★271188 Gasket- Crankcase (.005" Thick) ★271189 Gasket- Crankcase (.009" Thick)							498587 Piston Assembly (.030" Oversize) 499183 Piston Assembly (.030" Oversize) Used on Type No(s). 1107, 1278, 1600, 1631, 1637, 1707, 2278, 2600, 2631, 2637, 2641.	

★ Included in Engine Gasket Set-Ref. No. 358.

● Included in Carburetor Overhaul Kit-Ref. No. 121.

■ Included in Carburetor Gasket Set-Ref. No. 977.

Ø Included in Valve Gasket Set-Ref. No. 1095.

Illustrations cover a range of engines. Parts shown without corresponding text may not be used on your specific engine.

460700

REF. NO.	PART NO.	DESCRIPTION	REF. NO.	PART NO.	DESCRIPTION	REF. NO.	PART NO.	DESCRIPTION		
26	394959	Ring Set (Standard)	28	498319	Pin-Piston (Standard)	54	93208	Screw (Intake Manifold)		
		Note			(Used After Code Date 96042900).			73	691438	Screen-Rotating (Plastic)
		499184 Ring Set (Standard)			Note			73A	692527	Screen-Rotating (Steel)
		Used on Type No(s). 1107, 1278, 1600, 1631, 1637, 1707, 2278, 2600, 2631, 2637, 2641.			299691 Pin-Piston (Standard)			74	691134	Screw (Rotating Screen)
		394960 Ring Set (.010" Oversize)			(Used Before Code Date 96043000).			74A	691677	Screw (Rotating Screen)
		499185 Ring Set (.010" Oversize)			498320 Pin-Piston (.005" Oversize)			75	691056	Washer (Flywheel)
		Used on Type No(s). 1107, 1278, 1600, 1631, 1637, 1707, 2278, 2600, 2631, 2637, 2641.			(Used After Code Date 96042900).			91	693483	Body-Upper Carburetor
		394961 Ring Set (.020" Oversize)			391286 Pin-Piston (.005" Oversize)			91A	499281	Body-Upper Carburetor
		499186 Ring Set (.020" Oversize)			(Used Before Code Date 96043000).			91B	495035	Body-Upper Carburetor
		Used on Type No(s). 1107, 1278, 1600, 1631, 1637, 1707, 2278, 2600, 2631, 2637, 2641.			29			498314	Rod-Connecting (Standard)	93
394962 Ring Set (.030" Oversize)	Note			94	491538	Kit-Idle Mixture				
499187 Ring Set (.030" Oversize)	498541 Rod-Connecting (.020" Undersize)	95	690718	Screw (Throttle Valve)						
Used on Type No(s). 1107, 1278, 1600, 1631, 1637, 1707, 2278, 2600, 2631, 2637, 2641.	32	691133	Screw (Connecting Rod)	95A	691437	Screw (Throttle Valve)				
394962 Ring Set (.030" Oversize)	33	691794	Valve-Exhaust	97	693485	Shaft-Throttle				
499187 Ring Set (.030" Oversize)	34	691302	Valve-Intake	97A	691485	Shaft-Throttle				
Used on Type No(s). 1107, 1278, 1600, 1631, 1637, 1707, 2278, 2600, 2631, 2637, 2641.	35	691605	Spring-Valve (Intake)	97B	690629	Shaft-Throttle				
394962 Ring Set (.030" Oversize)	36	691597	Spring-Valve (Exhaust)	98	807923	Kit-Idle Speed				
499187 Ring Set (.030" Oversize)	40	690656	Retainer-Valve (Intake)	98A	693942	Kit-Idle Speed				
Used on Type No(s). 1107, 1278, 1600, 1631, 1637, 1707, 2278, 2600, 2631, 2637, 2641.	40A	691939	Retainer-Valve (Exhaust)	102	693509	Gasket-Carburetor Body				
394962 Ring Set (.030" Oversize)	42	494553	Keeper-Valve	102A	273186	Gasket-Carburetor Body				
499187 Ring Set (.030" Oversize)	45	691800	Tappet-Valve	104	693506	Pin-Float Hinge				
Used on Type No(s). 1107, 1278, 1600, 1631, 1637, 1707, 2278, 2600, 2631, 2637, 2641.	46	691161	Camshaft	104A	691775	Pin-Float Hinge				
394962 Ring Set (.030" Oversize)	47	691964	Slinger-Oil	105	692078	Valve-Float Needle				
499187 Ring Set (.030" Oversize)			Used on Type No(s). 1107, 1278, 1600, 1631, 1637, 1707, 2278, 2600, 2631, 2637, 2641.	107	693482	Body-Lower Carburetor				
Used on Type No(s). 1107, 1278, 1600, 1631, 1637, 1707, 2278, 2600, 2631, 2637, 2641.	50	691709	Manifold-Intake	107B	491543	Body-Lower Carburetor				
394962 Ring Set (.030" Oversize)	51	692278	Gasket-Intake	107C	499656	Body-Lower Carburetor				
499187 Ring Set (.030" Oversize)	51A	692219	Gasket-Intake	108	693505	Valve-Choke				
Used on Type No(s). 1107, 1278, 1600, 1631, 1637, 1707, 2278, 2600, 2631, 2637, 2641.				108A	691233	Valve-Choke				
394962 Ring Set (.030" Oversize)				108B	223534	Valve-Choke				
499187 Ring Set (.030" Oversize)				109	693498	Shaft-Choke				
Used on Type No(s). 1107, 1278, 1600, 1631, 1637, 1707, 2278, 2600, 2631, 2637, 2641.				109A	691957	Shaft-Choke				

★ Included in Engine Gasket Set-Ref. No. 358.

● Included in Carburetor Overhaul Kit-Ref. No. 121.

■ Included in Carburetor Gasket Set-Ref. No. 977.

⊙ Included in Valve Gasket Set-Ref. No. 1095.

Illustrations cover a range of engines. Parts shown without corresponding text may not be used on your specific engine.

REF. NO.	PART NO.	DESCRIPTION	REF. NO.	PART NO.	DESCRIPTION	REF. NO.	PART NO.	DESCRIPTION
117	693538	Jet–Main (Standard)	130	693504	Valve–Throttle	209	690558	Spring–Governor (Brown)
117B	691773	Jet–Main (Standard) (Used Before Code Date 98020600).	130A	691727	Valve–Throttle			Note ———
117D	691256	Jet–Main (Standard) (Used After Code Date 98020500).	133	693512	Float–Carburetor			691273 Spring– Governor (White) Used on Type No(s). 1276, 1277, 1278, 1288, 1289, 1297, 1631, 1637, 1876, 1877, 1888, 2276, 2277, 2278, 2288, 2289, 2290, 2297, 2299, 2631, 2637, 2641.
		Note ——— 691254 Jet–Main (Standard) (Used Before Code Date 98020600).	133A	692265	Float–Carburetor			690565 Spring– Governor (Orange) Used on Type No(s). 1279.
118	693500	Jet–Main (High Altitude)	134	●394682	Kit–Needle/Seat	211	691807	Spring–Governed Idle
118C	232152	Jet–Main (High Altitude) (Used After Code Date 98020500).	134A	●394683	Kit–Needle/Seat	212	693544	Link–Throttle (Used On 4 Screw Fuel Pump Mount Carburetors)
119	690720	Screw (Upper To Lower Carburetor Body)	146	691639	Key–Timing			
119A	691090	Screw (Upper To Lower Carburetor Body)	147	693508	Jet–Pilot	212A	690571	Link–Throttle (Used On 3 Screw Fuel Pump Mount Carburetors)
121	693501	Kit–Carburetor Overhaul (Used On 4 Screw Fuel Pump Mount Carburetors)	147A	691431	Jet–Pilot (Choke Valve)			
121B	694056	Kit–Carburetor Overhaul (Used On 3 Screw Fuel Pump Mount Carburetors)	161	691401	Base–Air Cleaner (Metal)	219	394348	Gear–Governor
122	691928	Spacer–Carburetor	163	★690273	Gasket–Air Cleaner	220	690412	Washer (Governor Gear)
125	693479	Carburetor (4 Screw Fuel Pump Mount)	165	693148	Nut (Ring Gear)	222	691366	Bracket–Control
125C		Carburetor (3 Screw Fuel Pump Mount) (Service With Reference 125)	170	691695	Stud (Crankcase Cover/Sump) (Used In Positions 1 And 7) Used on Type No(s). 1276.	227	690762	Lever–Governor Control
127	●691739	Plug–Welch	186	691764	Connector–Hose (Pulse Line)	231	690718	Screw (Choke Valve)
			187	296004	Line–Fuel (Cut to Required Length)	231A	691437	Screw (Choke Valve)
					Note ——— 499167 Line–Fuel (Cut to Required Length) Used on Type No(s). 1297, 1631, 1637, 2631, 2637, 2290, 2297, 2641.	235	691206	Shield–Fuel Spray
			188	691003	Screw (Control Bracket)	239	491657	Switch–Oil Pressure
			202	690570	Link–Mechanical Governor	239A	692999	Switch–Oil Pressure Used on Type No(s). 1288, 2288.
			203	493230	Crank–Bell	240	394358	Filter–Fuel
			205	690322	Screw (Bell Crank)			

★ Included in Engine Gasket Set–Ref. No. 358.

● Included in Carburetor Overhaul Kit–Ref. No. 121.

■ Included in Carburetor Gasket Set–Ref. No. 977.

⊗ Included in Valve Gasket Set–Ref. No. 1095.

Illustrations cover a range of engines. Parts shown without corresponding text may not be used on your specific engine.

460700

REF. NO.	PART NO.	DESCRIPTION	REF. NO.	PART NO.	DESCRIPTION	REF. NO.	PART NO.	DESCRIPTION
267	690316	Screw (Casing Clamp)	311	497608	Brush Set	395	690481	Cover-Valve Chamber
268	691025	Casing-Control Wire (Cut To Required Length)	332	691059	Nut (Flywheel)	400	690674	Cooler-Oil
269	691026	Wire-Control (Cut to Required Length)	333	394891	Armature-Magneto (MAGNETRON®)	404	690442	Washer (Governor Crank)
270	691027	Nut (Control Wire Casing)	334	691061	Screw (Magneto Armature)	405	690364	Screw (Back Plate)
271	691028	Lever-Control	337	802592	Plug-Spark (Resistor)	415	690283	Plug (Oil Pressure Switch)
276	693497	Washer-Sealing (Carburetor Plug)	346	690661	Screw (Spark Arrestor)	417	691693	Screw (Oil Cooler)
276A	●693510	Washer-Sealing (Foam)	356	690807	Wire-Stop (1 Wire, 15-13/16" Long)(Snap Connect Insulated Female Blade Terminal, And Snap Connect Insulated Pin Socket)	425	691675	Screw (Air Cleaner Cover)
276B	●691872	Washer-Sealing (Foam)	356B	691423	Wire-Stop (1 Wire, 10-3/4" Long)(2 Snap Connect Insulated Female Blade Terminals)	432	●■693492	Cap-Spring
276C	★691319	Washer-Sealing (Carburetor Plug)	358	495868	Gasket Set-Engine	432A	●■690766	Cap-Spring
278	692810	Washer (Governor Control Lever)	359	691077	Washer (Ground Terminal)	434	693493	Cover-Diaphragm
297	691331	Nut (Air Filter Retainer)	363	19203	Puller-Flywheel	434A	690434	Cover-Diaphragm
300	491319	Muffler (Super Lo Tone)	365	690321	Screw (Carburetor)	435	693494	Screw (Diaphragm Cover)
304	691391	Housing-Blower (Red)	373	691612	Nut (Ground Terminal)	435A	691085	Screw (Diaphragm Cover)
305C	690297	Screw (Blower Housing)	383	89838	Wrench-Spark Plug	439	690589	Seal-O Ring (Crankcase Cover/Sump)
306	690414	Shield-Cylinder	391	693487	Body-Fuel Pump	441	691176	Bracket-Oil Fill
306A	690435	Shield-Cylinder	391A	691896	Fuel Pump Body	445	394019	Filter-Air Cleaner Cartridge
307	691003	Screw (Cylinder Shield)	392	●■693491	Spring-Pump Diaphragm	447	690297	Screw (Air Guide Cover)
309	497596	Motor-Starter (3-5/8" Housing Length)	392A	●■691801	Spring-Pump Diaphragm	449	691044	Screw (Oil Fill Bracket)
309A	498148	Motor-Starter (4-3/8" Housing Length)	394	●■693489	Diaphragm- Carburetor	474B	696459	Alternator (Dual Circuit)
310	690323	Bolt (Starter Motor) (3-5/8" Housing Length)	394A	●■691871	Diaphragm- Carburetor	474C	696457	Alternator (Tri Circuit 5 To 9 Amp Regulated)
310A	691263	Bolt (Starter Motor) (4-3/8" Housing Length)	394B	●■272638	Diaphragm- Carburetor	474D	696458	Alternator (10 To 16 Amp Regulated)
						493	690416	Bracket-Mounting

★ Included in Engine Gasket Set-Ref. No. 358.

● Included in Carburetor Overhaul Kit-Ref. No. 121.

■ Included in Carburetor Gasket Set-Ref. No. 977.

⊗ Included in Valve Gasket Set-Ref. No. 1095.

Illustrations cover a range of engines. Parts shown without corresponding text may not be used on your specific engine.

REF. NO.	PART NO.	DESCRIPTION	REF. NO.	PART NO.	DESCRIPTION	REF. NO.	PART NO.	DESCRIPTION
501	691185	Regulator (10 To 16 Amp Regulated)	578	692306	Wire Assembly	803	693757	Housing–Starter (3-5/8" Housing Length)
501A	691188	Regulator (5 To 9 Amp Regulated) Used on Type No(s). 1637, 2290, 2637, 2641.	579	690958	Nut (Brush Retainer)			Note ——— (4-3/8" Housing Length) (Service With Reference 309A, Part Number 498148)
505	691029	Nut (Governor Control Lever)	601	95162	Clamp–Hose (Zinc Plate) (Spring Wire)	807	693511	Spacer–Throttle
507	691972	Insulator	615	690317	Retainer–Governor Shaft	819	690297	Screw (Muffler Bracket)
520	691084	Terminal–Ground	616	491530	Crank–Governor	823	691681	Screw (Muffler Adapter)
523	691385	Dipstick	629	262539	Spring–Throttle Return	842	★271170	Seal–O Ring (Dipstick)
524	★692532	Seal–Dipstick Tube	635	66538	Boot–Sparkplug	847	495715	Dipstick/Tube Assembly
525	690823	Tube–Oil Fill	643	496700	Retainer–Air Filter	851	493880	Terminal–Sparkplug
526	690297	Screw (Regulator) (10 To 16 Amp Regulated)	689	690555	Spring–Friction	859	●■693488	Gasket–Carburetor Pump
526A	690326	Screw (Regulator) (5 To 9 Amp Regulated) Used on Type No(s). 1637, 2290, 2637, 2641.	691	★690657	Seal–Governor Shaft	859A	●■693490	Gasket–Carburetor Pump
527	690423	Clamp–Tube	695	693149	Screw (Ring Gear)	859B	●■691873	Gasket–Carburetor Pump
544	692034	Armature–Starter (3-5/8" Housing Length)	697	691625	Screw (Drive Cap)	860	●■691799	Spring–Diaphragm
551	690415	Cover–Valve Chamber	716	220863	Washer (Connecting Rod)	861	693502	Kit–Fuel Pump (Used On 4 Screw Fuel Pump Mount Carburetors)
552	690553	Bushing–Governor Crank	725	280866	Shield–Heat	861A	393397	Kit–Fuel Pump (Used On 3 Screw Fuel Pump Mount Carburetors)
552A	690552	Bushing–Governor Crank	726	391362	Gear–Ring (Includes Mounting Hardware)	863	690444	Bracket–Muffler
562	690311	Bolt (Governor Control Lever)	737	690332	Screw (Oil Filter Adapter)	864B	691970	Adapter–Muffler
573	696040	Plate–Back (Used After Code Date 00101500).	741	691285	Gear–Timing	865	691196	Cover–Air Guide
		Note ——— 690764 Plate–Back (Used Before Code Date 00101600).	742	690328	Retainer–E Ring	865A	691197	Cover–Air Guide
			750	690960	Screw (Oil Pump Cover) (Used After Code Date 98011100).	868A	692036	Seal–Valve (Brown)
			750A	690336	Screw (Oil Pump Cover) (Used Before Code Date 98011200).	868B	691891	Seal–Valve
			773	692334	Retainer	869	691802	Seat–Valve (Intake)
			783	693059	Gear–Pinion	870	691844	Seat–Valve (Exhaust)
			789	695050	Harness–Wiring (6 Pin Customer Conversion)			
			797	693167	Nut (Brush Retainer)			
			801	691967	Cap–Drive			
			802	691286	Cap–End			

★ Included in Engine Gasket Set–Ref. No. 358.

● Included in Carburetor Overhaul Kit–Ref. No. 121.

■ Included in Carburetor Gasket Set–Ref. No. 977.

⊙ Included in Valve Gasket Set–Ref. No. 1095.

Illustrations cover a range of engines. Parts shown without corresponding text may not be used on your specific engine.

460700

REF. NO.	PART NO.	DESCRIPTION	REF. NO.	PART NO.	DESCRIPTION	REF. NO.	PART NO.	DESCRIPTION
871	261961	Bushing-Valve Guide (Exhaust)	967	272490	Filter-Pre Cleaner	1051	691265	Ring-Retaining
		Note	968	691207	Cover-Air Cleaner	1054	280275	Tie-Cable
	231218	Bushing-Valve Guide (Intake)	971	691100	Screw (Air Cleaner Base)	1058	274796	Owner's Manual (Emission)
877	393456	Wire/Connector-Alternator (Dual Circuit)	988	*691313	Gasket-Oil Adapter			Note
877A	399916	Wire/Connector-Alternator (2 Wires, 7-53/64" Long) (2 Bare Wire End, And Insulated Snap Connect Male Pin Terminal)	994	392390	Arrestor-Spark		272112	Owner's Manual (Non Emission)
877B	393537	Wire/Connector-Alternator (Tri Circuit 5 To 9 Amp Regulated)	1005	498157	Fan-Flywheel	1090	691293	Retainer-Brush
878	691237	Harness-Alternator	1006	691247	Retainer-Fan	1095	498047	Gasket Set-Valve
883	*692282	Gasket-Exhaust	1017	690770	Screen-Oil Pump	1119	691183	Screw (Alternator)
918	393815	Hose-Vacuum (Cylinder To Impulse Pump) (Cut to Required Length)	1019	496726	Kit-Label	1132	690353	Screw (Oil Slinger)
934	691058	Screw (Fan Retainer)	1024	499054	Pump-Oil	1135	691261	Washer (Crankcase Cover/Sump) (Used In Positions 1 And 7) Used on Type No(s). 1276.
943	*690589	Seal-O Ring (Oil Pump Cover)	1027	492932	Filter-Oil			
947	693495	Solenoid-Fuel (Used After Code Date 98091300).	1028	491721	Adapter-Oil Filter	1136	690329	Screw (Control Bracket) (High Speed Control)
947A	397266	Solenoid-Fuel	1032	491710	Ball-Oil Pump	1137	690390	Washer (Control Bracket) (High Speed Control)
955	693513	Plug-Carburetor	1035	693158	Shaft-Pump	1138	690330	Nut (Control Bracket) (High Speed Control)
955A	397882	Plug-Carburetor	1036	696779	Label-Emission (Used After Code Date 01093000).	1154	690366	Screw (Valve Chamber Cover)
965	499613	Cover-Oil Pump (Used After Code Date 98011100).			Note	1159	690286	Washer (Oil Slinger)
965A	492197	Cover-Oil Pump (Used Before Code Date 98011200).			695702 Label-Emission (Used After Code Date 00063000 and Before Code Date 01100100).			
					694979 Label-Emission (Used After Code Date 99093000 and Before Code Date 00070100).			
					694402 Label-Emission (Used After Code Date 98123100 and Before Code Date 99100100).			
					499382 Label-Emission (Used After Code Date 97052500 and Before Code Date 99010100).			
					499381 Label-Emission (Used Before Code Date 97052600).			

* Included in Engine Gasket Set-Ref. No. 358.

● Included in Carburetor Overhaul Kit-Ref. No. 121.

■ Included in Carburetor Gasket Set-Ref. No. 977.

⊗ Included in Valve Gasket Set-Ref. No. 1095.

Illustrations cover a range of engines. Parts shown without corresponding text may not be used on your specific engine.