

# 44L700

## Illustrated Parts List

### Model Series

# 44L700

TYPE NUMBERS  
0100 through 0111.

### TABLE OF CONTENTS

**Air Cleaner** ..... 6

**Alternators** ..... 8

**Blower Housing/Shrouds** ..... 6

**Camshaft** ..... 3

**Carburetor** ..... 5

**Controls** ..... 7

**Crankcase Cover/Sump** ..... 2

**Crankshaft** ..... 3

**Cylinder** ..... 2

**Cylinder Head** ..... 4

**Electric Starter** ..... 7

**Exhaust System** ..... 5

**Flywheel** ..... 7

**Ignition** ..... 8

**Kit/Gasket Set – Carburetor** ..... 5

**Gasket Set – Engine** ..... 2

**Gasket Set – Valve** ..... 4

**Lubrication** ..... 3

**Piston, Rings, Connecting Rod** ..... 3

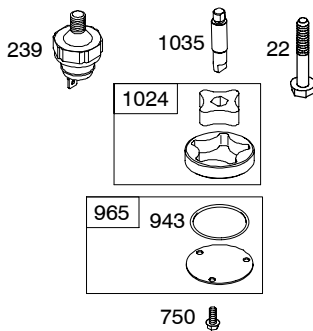
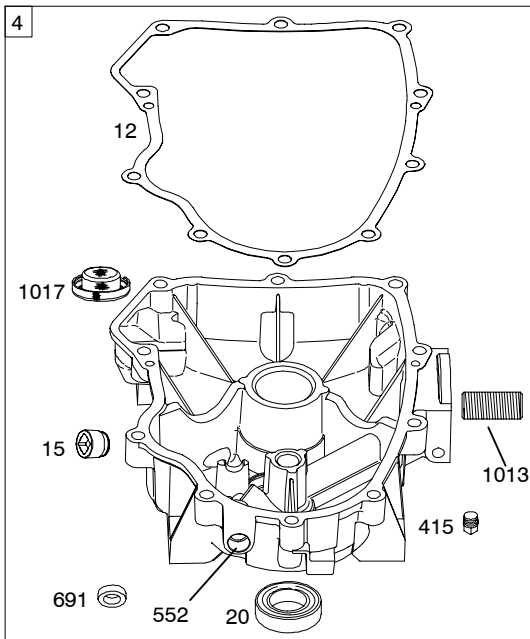
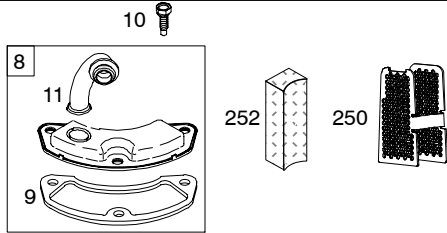
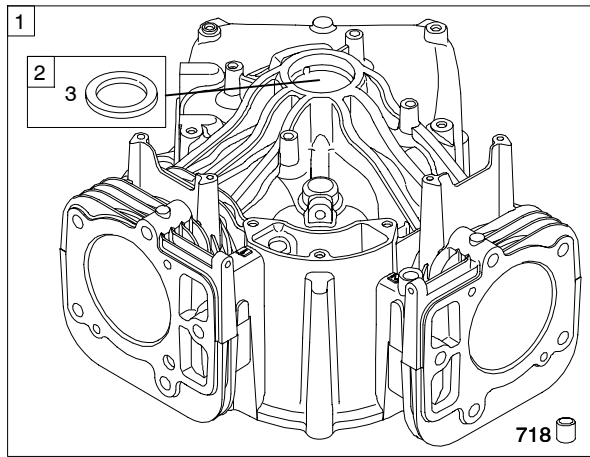
**Valves** ..... 4



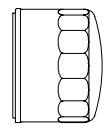
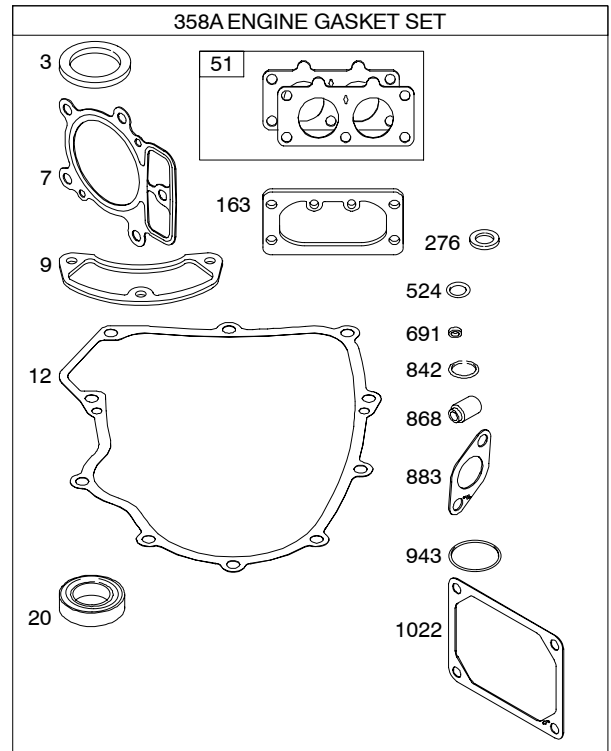
PRINTED IN U.S.A.

COPYRIGHT by BRIGGS & STRATTON CORPORATION  
 All rights reserved. No part of this material may be reproduced or transmitted, in any form or by any means, electronic or mechanical, including photocopying, recording or by any information storage and retrieval system, without permission in writing from Briggs & Stratton Corporation.

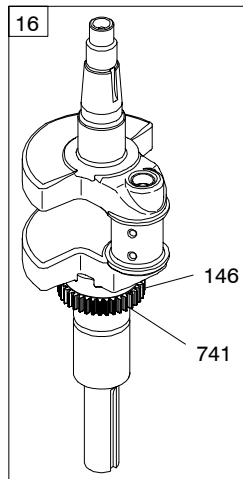
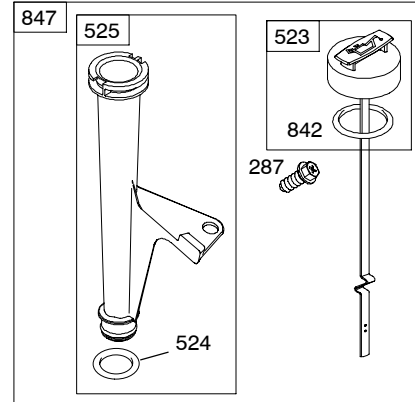
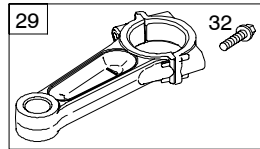
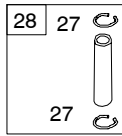
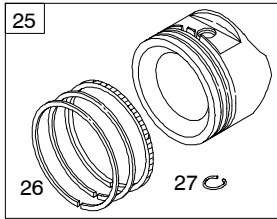
# 44L700



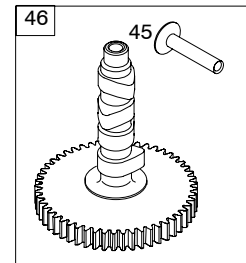
1058 OPERATOR'S MANUAL  
1330 REPAIR MANUAL



Illustrations cover a range of engines. Parts shown without corresponding text may not be used on your specific engine.  
3580-2 Assemblies include all parts shown in frames. 01/04/2006

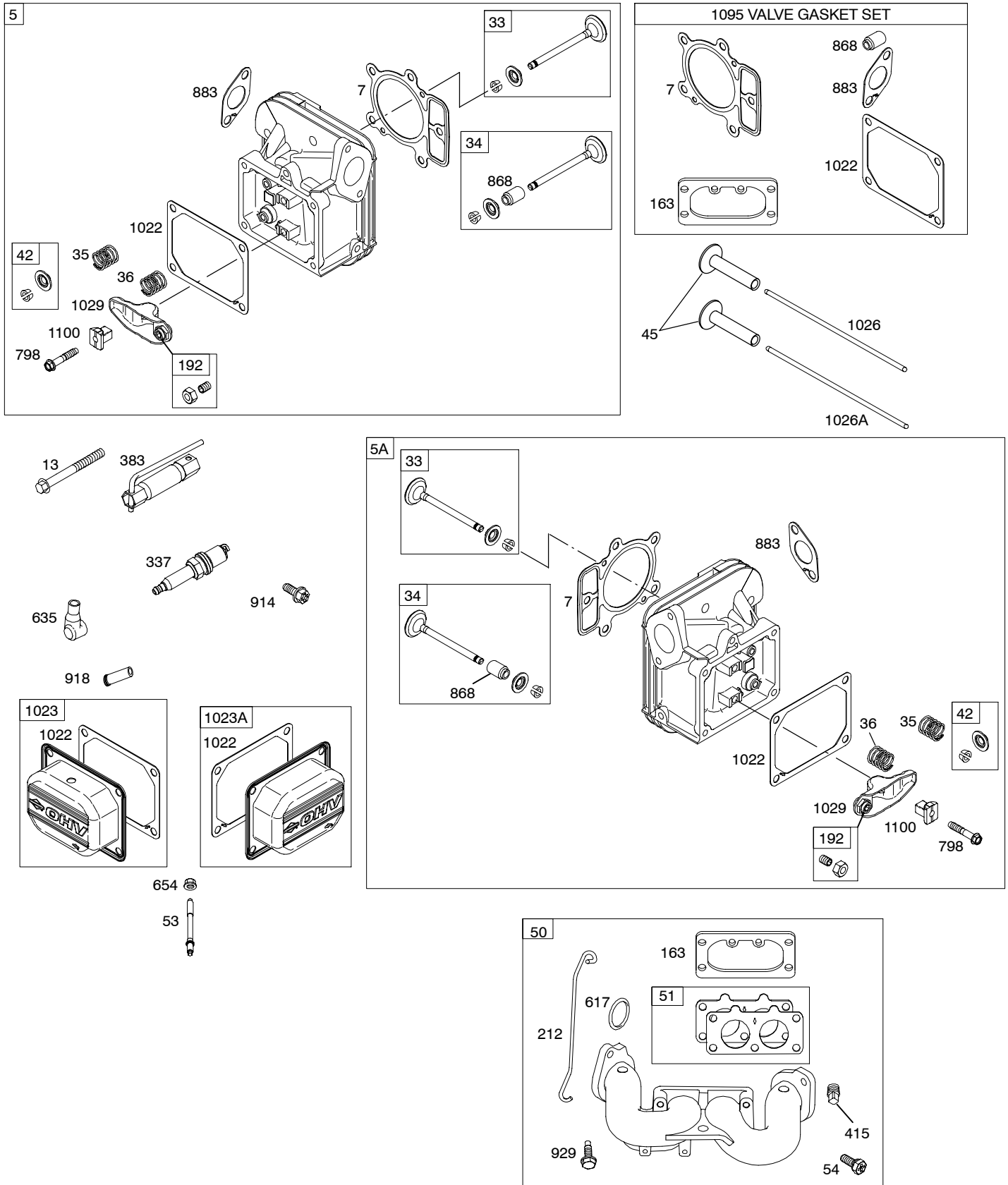


24

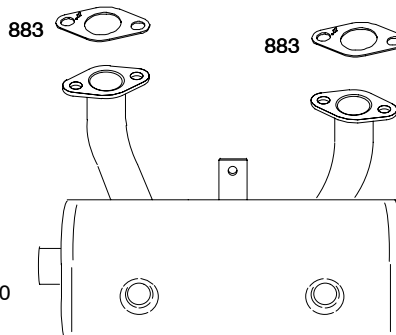
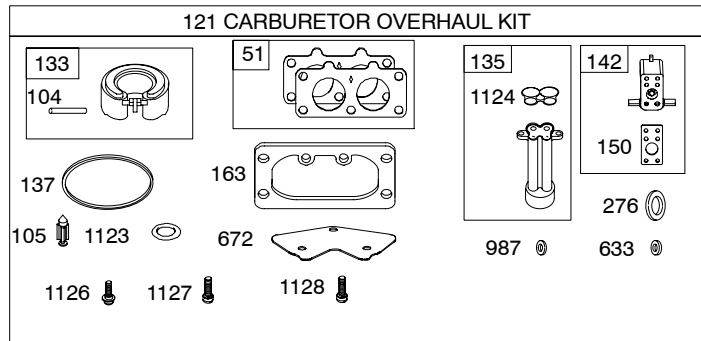
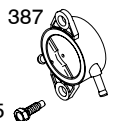
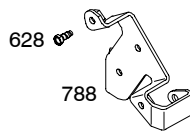
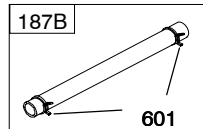
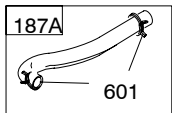
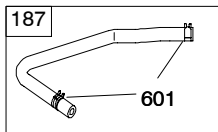
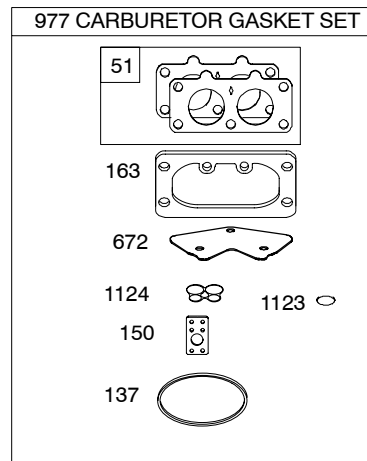
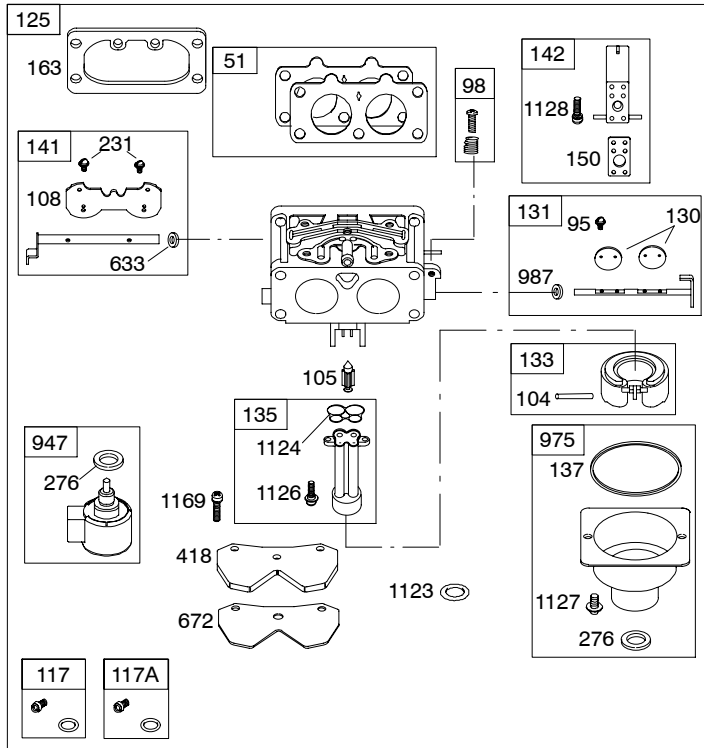


Illustrations cover a range of engines. Parts shown without corresponding text may not be used on your specific engine.  
3580-3 Assemblies include all parts shown in frames. 01/04/2006

# 44L700

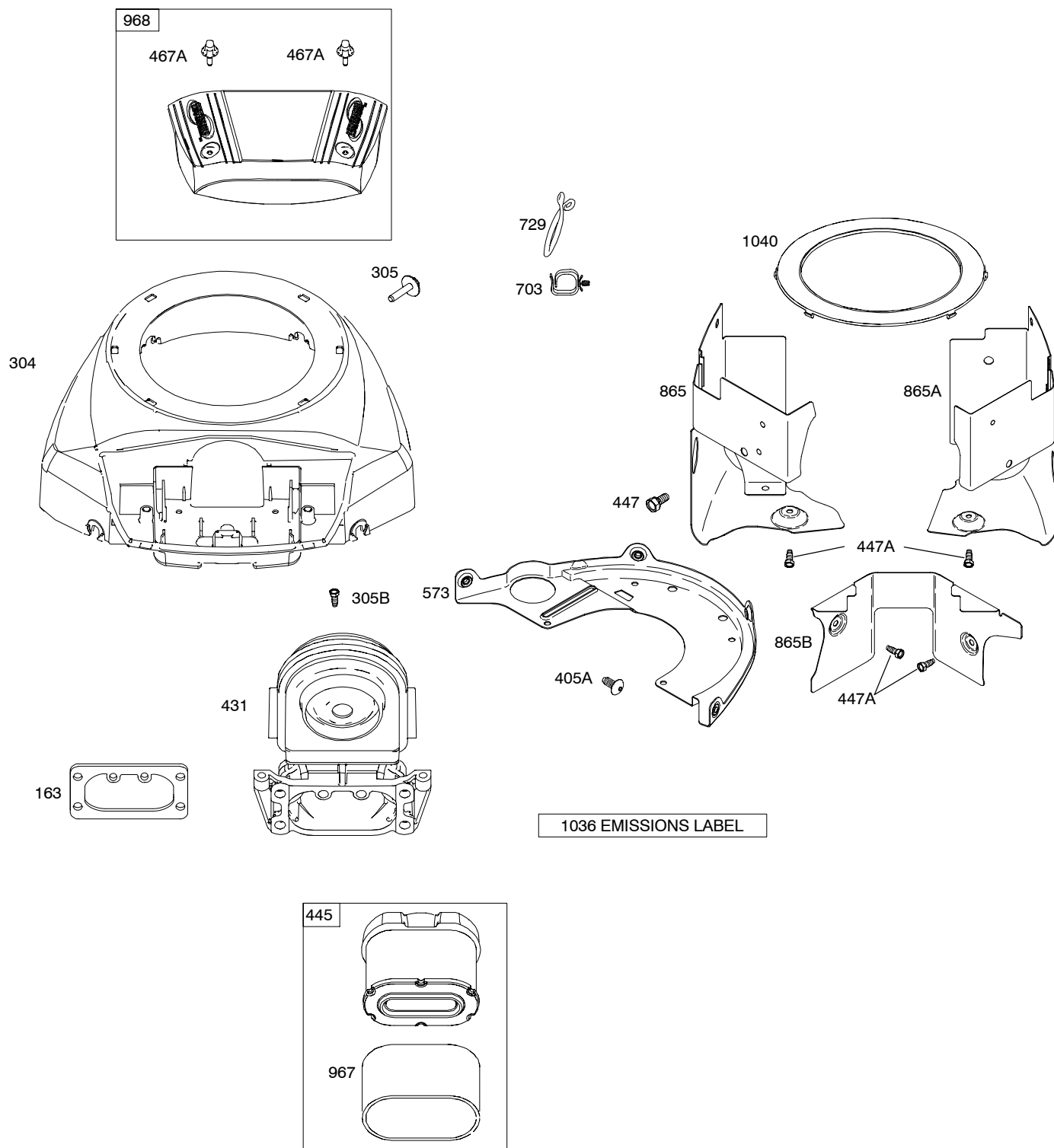


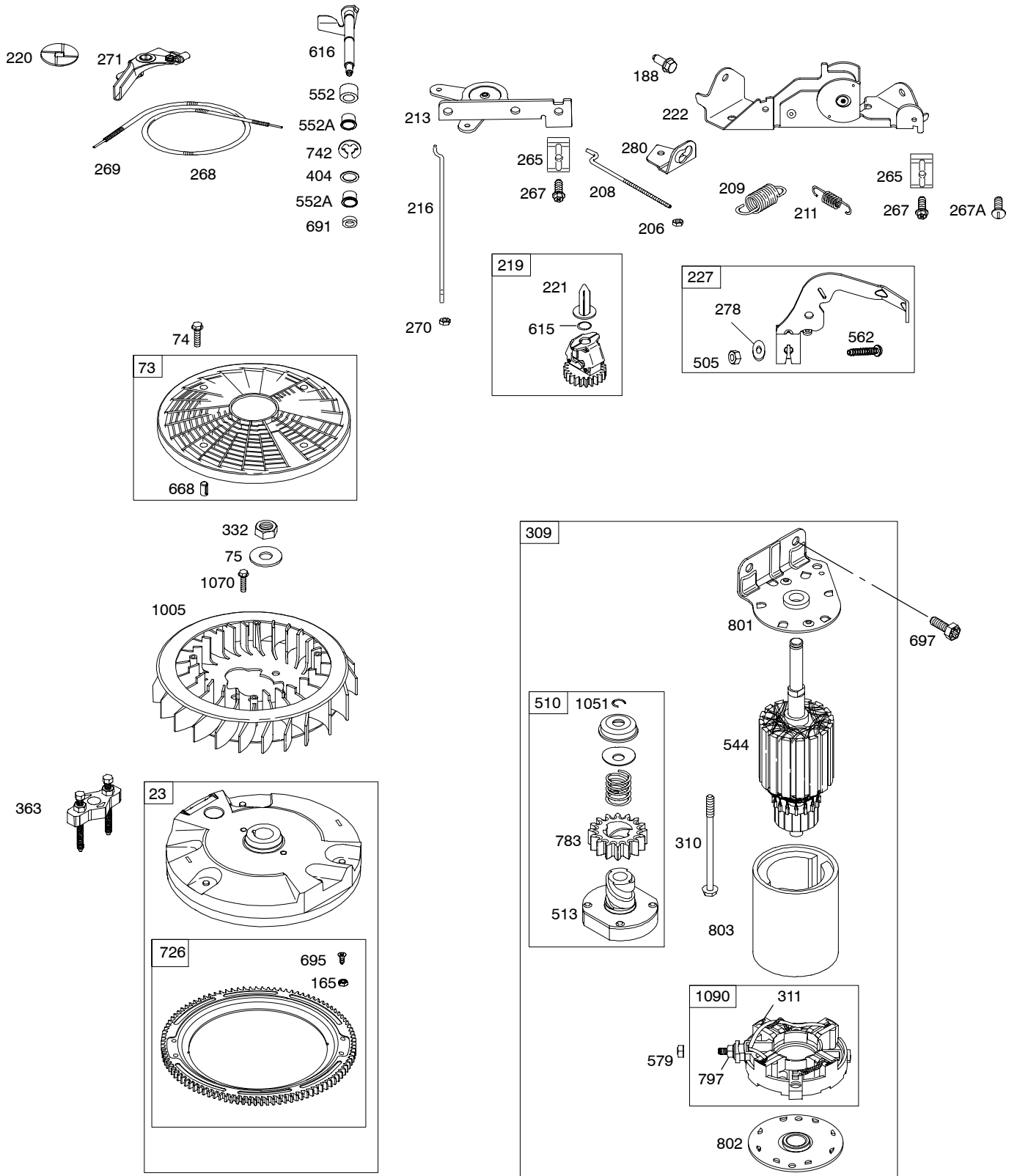
Illustrations cover a range of engines. Parts shown without corresponding text may not be used on your specific engine.  
 3580-4 Assemblies include all parts shown in frames. 01/04/2006



Illustrations cover a range of engines. Parts shown without corresponding text may not be used on your specific engine.










# 44L700

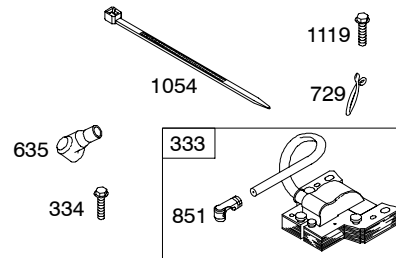
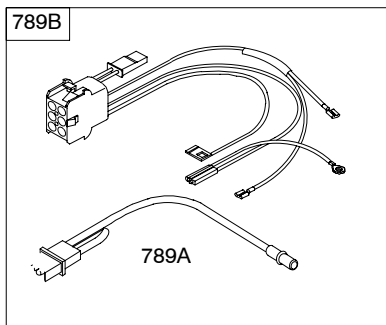




Illustrations cover a range of engines. Parts shown without corresponding text may not be used on your specific engine.

# 44L700

DUAL CIRCUIT		10 - 16 AMP	
474C	1059	474B	1059
877C		877B	
			
878C		578A	
<p><b>NOTE:</b> All stators use a No. 1119 mounting screw. </p> <p><b>NOTE:</b> The proper flywheel part number and/or the alternator magnet size will determine the alternator type or output. See repair instruction manual for additional information.</p>		526B	
		501B	



Illustrations cover a range of engines. Parts shown without corresponding text may not be used on your specific engine.



**44L700**

REF. NO.	PART NO.	DESCRIPTION	REF. NO.	PART NO.	DESCRIPTION	REF. NO.	PART NO.	DESCRIPTION
1	699753	Cylinder Assembly	25	792023	Piston Assembly (Standard)	54	695239	Screw (Intake Manifold)
2	499585	Kit-Bushing/Seal (Magneto Side)			----- <b>Note</b> -----	73	494439	Screen-Rotating
3	★391086s	Seal-Oil (Magneto Side)			792072 Piston Assembly (.020" Oversize)	74	698425	Screw (Rotating Screen)
4	699747	Sump-Engine	26	792026	Ring Set (Standard)	75	691056	Washer (Flywheel)
5	792299	Head-Cylinder (Cylinder 1)			----- <b>Note</b> -----	95	690718	Screw (Throttle Valve)
5A	792300	Head-Cylinder (Cylinder 2)			792073 Ring Set (.020" Oversize)	98	699721	Kit-Idle Speed
7	★△693997	Gasket-Cylinder Head	27	690975	Lock-Piston Pin	104	●694918	Pin-Float Hinge
8	792185	Breather Assembly	28	690229	Pin-Piston (Standard)	105	●698537	Valve-Float Needle
9	★690937	Gasket-Breather	29	699699	Rod-Connecting (Standard)	108	699723	Valve-Choke
10	691108	Screw (Breather Assembly)	32	690976	Screw (Connecting Rod)	117	699733	Jet-Main (Standard) (Left)(Nikki)
11	792184	Tube-Breather	33	697576	Valve-Exhaust	117A	792296	Jet-Main (Standard) (Right)(Nikki)
12	★697227	Gasket-Crankcase	34	792200	Valve-Intake	121	792455	Kit-Carburetor Overhaul
13	791130	Screw (Cylinder Head)	35	694865	Spring-Valve (Intake)	125	792295	Carburetor
15	690946	Plug-Oil Drain	36	694865	Spring-Valve (Exhaust)			
16	699700	Crankshaft	42	499586	Keeper-Valve			
20	★791892	Seal-Oil (PTO Side)	45	690977	Tappet-Valve			
22	694966	Screw (Crankcase Cover/Sump)	46	790562	Camshaft			
23	691053	Flywheel Used on Type No(s). 0111.	50	695241	Manifold-Intake			
		----- <b>Note</b> -----	51★●◆	791677	Gasket-Intake			
		691054 Flywheel Used on Type No(s). 0100.	53	690951	Stud (Carburetor)			
24	222698s	Key-Flywheel						

★ Included in Engine Gasket Set-Ref. No.358.

● Included in Carburetor Overhaul Kit-Ref. No. 121.

◆ Included in Carburetor Gasket Set-Ref. No. 977.

△ Included in Valve Gasket Set-Ref. No 1095.

*Illustrations cover a range of engines. Parts shown without corresponding text may not be used on your specific engine.*

# 44L700

REF. NO.	PART NO.	DESCRIPTION	REF. NO.	PART NO.	DESCRIPTION	REF. NO.	PART NO.	DESCRIPTION
130	690993	Valve-Throttle	265	691024	Clamp-Casing	383	19374s	Wrench-Spark Plug
131	499805	Kit-Throttle Shaft	267	691044	Screw (Casing Clamp)	385	691108	Screw (Fuel Pump)
133	◆699724	Float-Carburetor	267A	695134	Screw (Casing Clamp) Used on Type No(s). 0100.	387	808656	Pump-Fuel
135	◆699729	Tube-Fuel Transfer				404	690442	Washer (Governor Crank)
137	◆690994	Gasket-Float Bowl	268	691025	Casing-Control Wire (Cut To Required Length)	405A	697820	Screw-Backplate (Mounting)
141	699722	Kit-Choke Shaft	269	691026	Wire-Control (Cut To Required Length)	415	690283	Plug
142	◆699726	Nozzle-Carburetor (Standard)	270	691027	Nut (Control Wire Casing)	418	690999	Plate-Carburetor
146	690979	Key-Timing	271	691028	Lever-Control	431	792297	Elbow-Intake
150	◆690995	Gasket-Nozzle	276	◆695410	Washer-Sealing	445	792105	Filter-Air Cleaner Cartridge
163	◆★△691001	Gasket-Air Cleaner	278	792651	Washer (Governor Control Lever)	447	691003	Screw (Air Guide Cover)
165	693148	Nut (Ring Gear)	280	691526	Bracket-Rod	447A	691108	Screw (Air Guide Cover)
187	791881	Line-Fuel (Molded)	287	691108	Screw (Dipstick Tube)	467A	790697	Knob-Air Cleaner
187A	791801	Line-Fuel (Molded)	300	696226	Muffler	474B	696458	Alternator (10-16 Amp Circuit)
187B	791766	Line-Fuel (15" Long,Cut to Required Length)	304	792301	Housing-Blower (Black)	474C	696459	Alternator (Dual Circuit)
188	691108	Screw (Control Bracket)	305	691005	Screw (Blower Housing) (21/32" Long)	501B	691185	Regulator (16 Amp Circuit)
192	690083	Adjuster-Rocker Arm	305B	790690	Screw (Blower Housing to Intake Elbow) (11/16" Long)	505	691029	Nut (Governor Control Lever)
206	691244	Nut-Governor Adjusting				510	696541	Drive-Starter
208	690566	Rod-Governor Control	309	499521	Motor-Starter	513	692024	Clutch-Drive
209	698071	Spring-Governor (White)	310	691263	Screw (Starter Motor)	523	691036	Dipstick
211	691019	Spring-Governed Idle	311	497608	Brush Set	524	★691032	Seal-Dipstick Tube
212	695238	Link-Throttle	312	691059	Nut (Flywheel)	525	691037	Tube-Dipstick
213	691021	Bracket-Choke Control	333	691060	Armature-Magneto	526B	691108	Screw (Regulator)
216	691022	Link-Choke	334	691061	Screw (Magneto Armature)	544		Armature-Starter (Serviced By 499521 Starter Motor Only)
219	698231	Gear-Governor	337	491055s	Plug-Spark	552	690552	Bushing-Governor Crank
220	690412	Washer (Governor Gear)	358A	694012	Gasket Set-Engine	552A	690553	Bushing-Governor Crank
221	841026	Cup-Governor	363	19203	Puller-Flywheel	562	690311	Bolt (Governor Control Lever)
222	698761	Bracket-Control				573	790444	Plate-Back
227	792492	Lever-Governor Control				578A	691208	Wire Assembly
231	690718	Screw (Choke Valve)						
239	697049	Switch-Oil Pressure (Normally Open)						
240	695666	Filter-Fuel						
250	690957	Retainer-Breather						
252	690956	Collector-Oil						

★ Included in Engine Gasket Set-Ref. No.358.

● Included in Carburetor Overhaul Kit-Ref. No. 121.

◆ Included in Carburetor Gasket Set-Ref. No. 977.

△ Included in Valve Gasket Set-Ref. No 1095.

**Illustrations cover a range of engines. Parts shown without corresponding text may not be used on your specific engine.**

**44L700**

REF. NO.	PART NO.	DESCRIPTION	REF. NO.	PART NO.	DESCRIPTION	REF. NO.	PART NO.	DESCRIPTION
579	691029	Nut (Starter Cable)	797	693167	Nut (Brush Retainer)	1023	499599	Cover-Rocker (Cylinder 1)
601	691038	Clamp-Hose (Green)	798	697890	Screw (Rocker Arm)	1023A	499600	Cover-Rocker (Cylinder 2)
613	690341	Screw (Muffler)	801	691283	Cap-Drive	1024	499054	Pump-Oil
613A	690297	Screw (Muffler)	802	691286	Cap-End	1026	690981	Rod-Push (Steel)
615	698290	Retainer-Governor Shaft	803		Housing-Starter (Serviced By 499521 Starter Motor Only)	1026A	690982	Rod-Push (Aluminum)
616	691045	Crank-Governor	842	*691031	Seal-O Ring (Dipstick Tube)	1027	696854	Filter-Oil
617	697891	Seal-O Ring (Intake Manifold)	847	499602	Dipstick/Tube Assembly	1029	690972	Arm-Rocker
628	691108	Screw (Fuel Pump Bracket)	851	493880s	Terminal-Spark Plug	1035	691042	Shaft-Pump
633	◆690998	Seal-Choke/Throttle Shaft	865	691012	Cover-Air Guide (Cylinder 1)	1036		Label-Emissions (Available from an Authorized Briggs and Stratton Service Dealer)
635	66538s	Boot-Spark Plug	865A	691014	Cover-Air Guide (Cylinder 2)	1040	791237	Plate-Trim
654	690958	Nut (Carburetor)	865B	792286	Cover-Air Guide (Valley)	1051	691265	Ring-Retaining
668	△691215	Spacer	868	*690968	Seal-Valve	1054	280275	Tie-Cable
672	◆690234	Gasket-Carburetor Plate	877B	399916	Wire/Connector- Alternator	1058	276352	Operator's Manual (Emission)
691	*790574	Seal-Governor Shaft	877C	393456	Wire/Connector- Alternator	1059	698516	Kit-Screw/Washer
695	693149	Screw (Ring Gear)	878C	398661	Harness-Alternator	1070	691058	Screw (Flywheel Fan)
697	690372	Screw (Drive Cap)	883	*△690970	Gasket-Exhaust	1090	691293	Retainer-Brush
703	691010	Clip	914	691127	Screw (Rocker Cover)	1095	694013	Gasket Set-Valve
718	690959	Pin-Locating	918	694000	Hose-Vacuum	1100	791959	Pivot-Rocker Arm
726	499612	Gear-Ring	929	695239	Screw (Choke Control Bracket)	1119	691183	Screw (Alternator)
729	694123	Clip-Wire	943	*690589	Seal-O Ring (Oil Pump Cover)	1123	◆841653	Seal-O Ring (Solenoid Retainer)
741	690980	Gear-Timing	947	841546	Solenoid-Fuel	1124	◆690988	Seal-O Ring (Fuel Transfer Tube)
742	690328	Retainer-E Ring	965	499613	Cover-Oil Pump	1126	◆690991	Screw (Fuel Transfer Tube)
750	696999	Screw (Oil Pump Cover)	967	792303	Filter-Pre Cleaner	1127	◆695407	Screw (Float Bowl)
783	695708	Gear-Pinion	968	792289	Cover-Air Cleaner	1128	◆690990	Screw (Carburetor Nozzle)
788	691039	Bracket-Fuel Pump	975	791232	Bowl-Float	1169	690990	Screw (Carburetor Cover Plate)
789A	790544	Harness-Wiring	977	792456	Gasket Set-Carburetor	1330	273521	Repair Manual
789B	698330	Harness-Wiring	987	◆691000	Seal-Throttle Shaft			
			1005	791236	Fan-Flywheel			
			1013	690954	Nipple-Oil Filter			
			1017	690770	Screen-Oil Pump			
			1022	*△690971	Gasket-Rocker Cover			

★ Included in Engine Gasket Set-Ref. No.358.

● Included in Carburetor Overhaul Kit-Ref. No. 121.

◆ Included in Carburetor Gasket Set-Ref. No. 977.

△ Included in Valve Gasket Set-Ref. No 1095.

*Illustrations cover a range of engines. Parts shown without corresponding text may not be used on your specific engine.*