

**446600**

# Illustrated Parts List

## Model Series

# 446600

TYPE NUMBERS  
0125 through 0470.

### TABLE OF CONTENTS

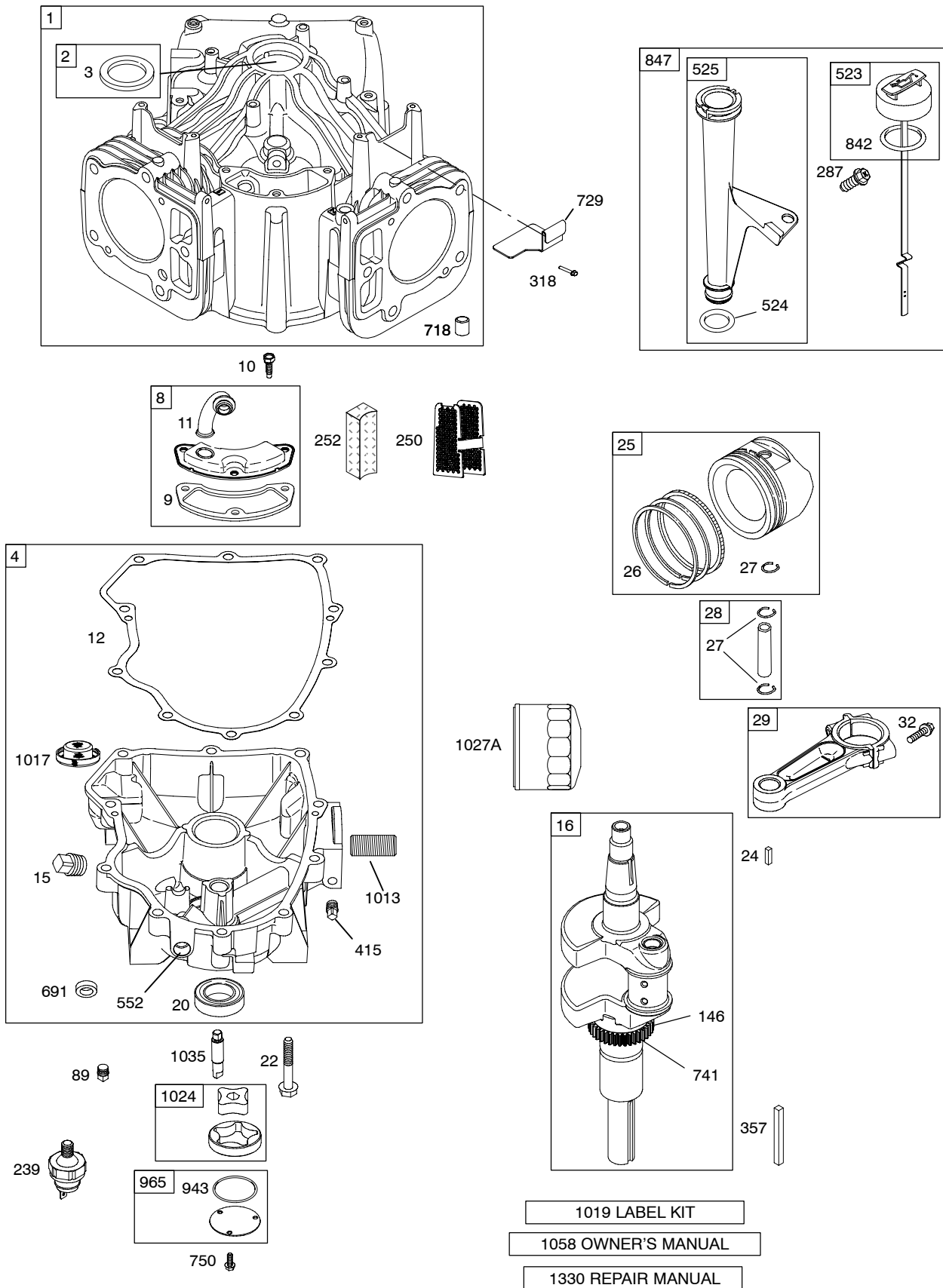
<b>Air Cleaner</b> .....	5
<b>Alternators</b> .....	7
<b>Blower Housing/Shrouds</b> .....	5
<b>Camshaft</b> .....	3
<b>Carburetor</b> .....	4
<b>Controls</b> .....	6
<b>Crankshaft</b> .....	2
<b>Crankcase Sump</b> .....	2
<b>Cylinder</b> .....	2
<b>Cylinder Head</b> .....	3
<b>Electric Starter</b> .....	6
<b>Exhaust System</b> .....	6
<b>Flywheel</b> .....	6
<b>Ignition</b> .....	7
<b>Kit/Gasket Sets</b> .....	4
<b>Lubrication</b> .....	2
<b>Piston, Rings, Connecting Rod</b> .....	2
<b>Valves</b> .....	3



PRINTED IN U.S.A.

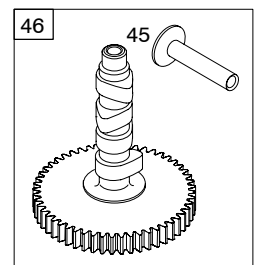
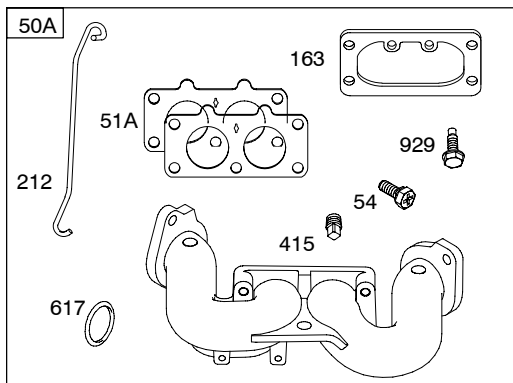
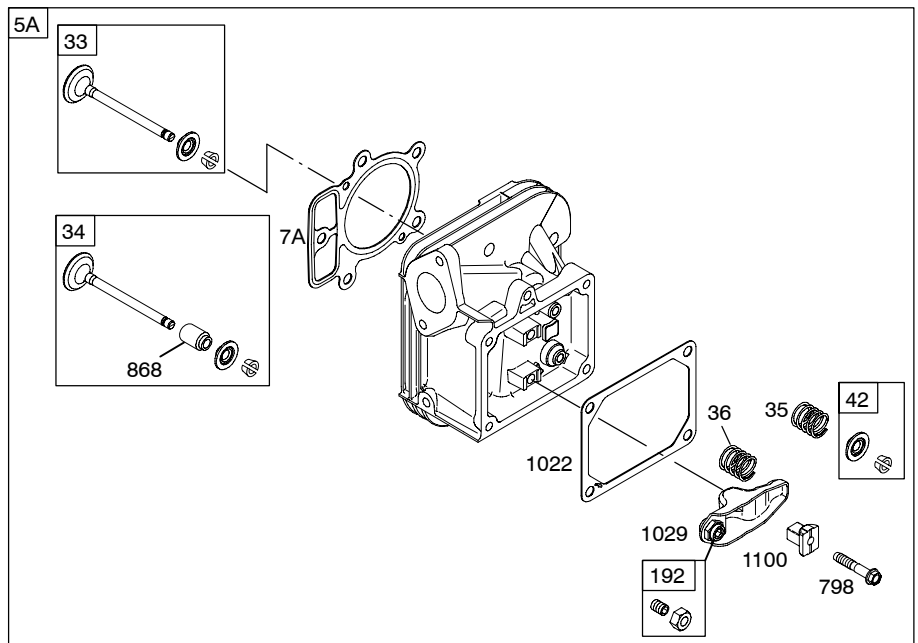
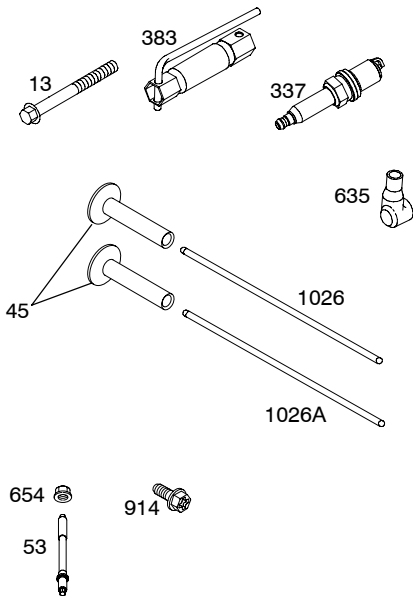
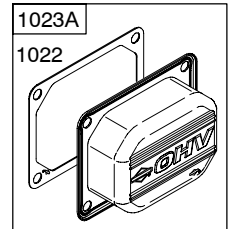
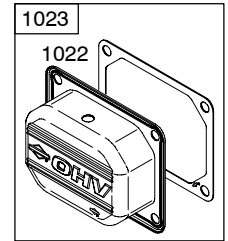
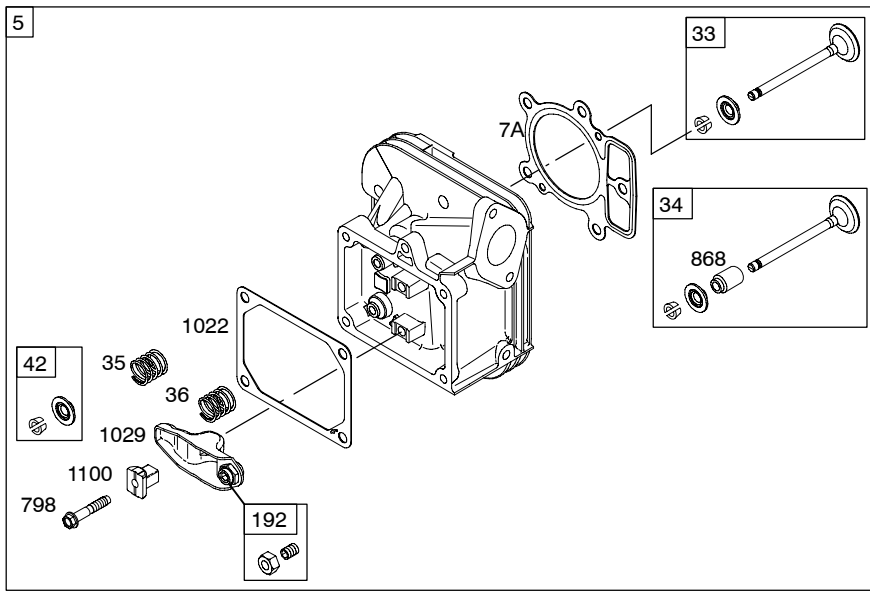
COPYRIGHT by BRIGGS & STRATTON CORPORATION  
 All rights reserved. No part of this material may be reproduced or transmitted,  
 in any form or by any means, electronic or mechanical, including photocopying,  
 recording or by any information storage and retrieval system, without permission  
 in writing from Briggs & Stratton Corporation.

# 446600



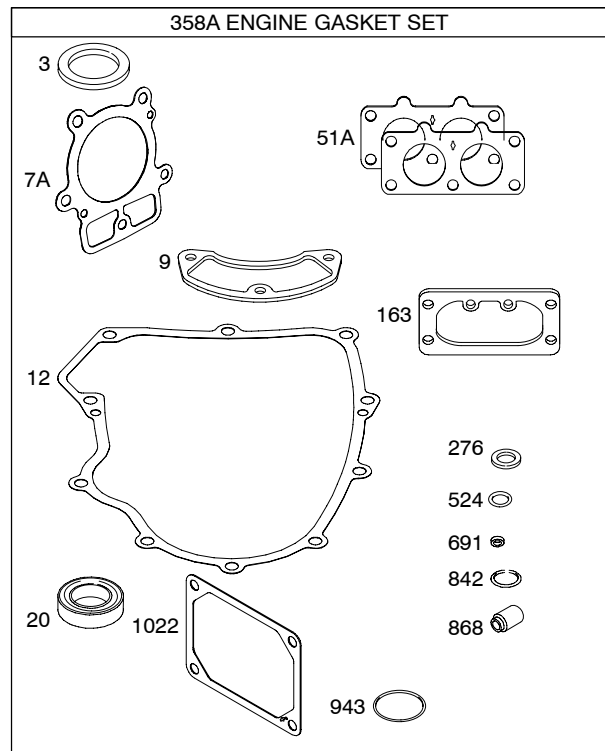
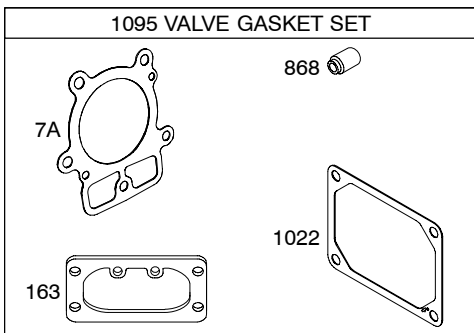
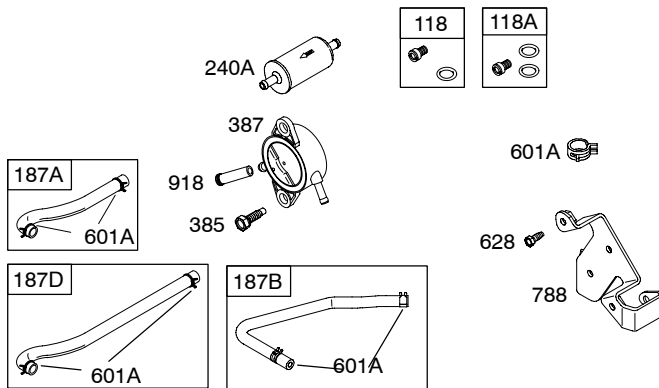
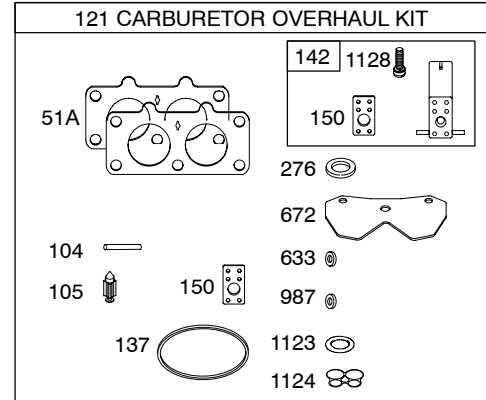
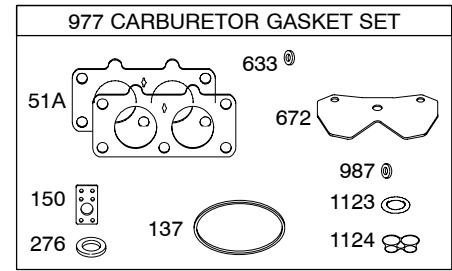
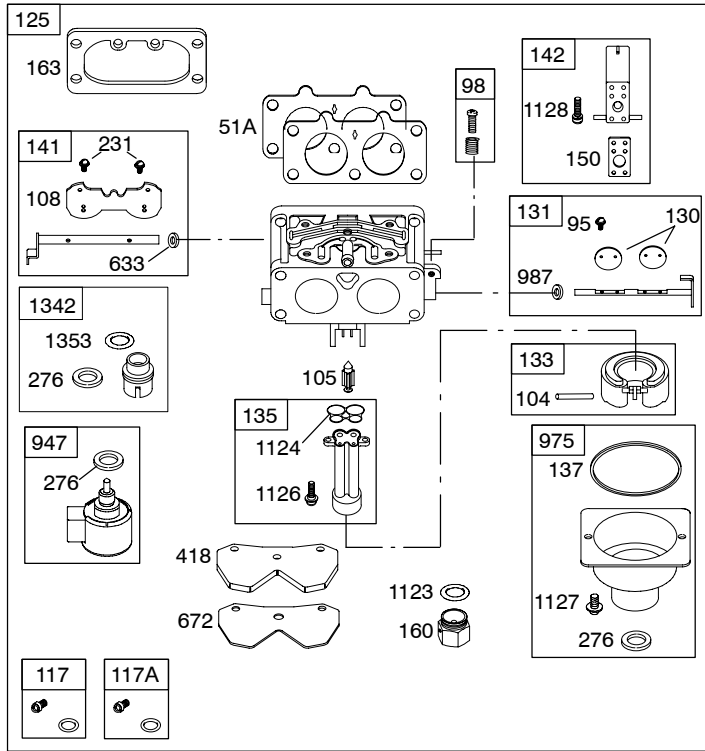
- 1019 LABEL KIT
- 1058 OWNER'S MANUAL
- 1330 REPAIR MANUAL

Illustrations cover a range of engines. Parts shown without corresponding text may not be used on your specific engine.  
 3330-2 Assemblies include all parts shown in frames. 08/17/2005

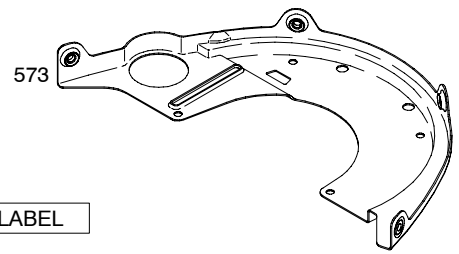
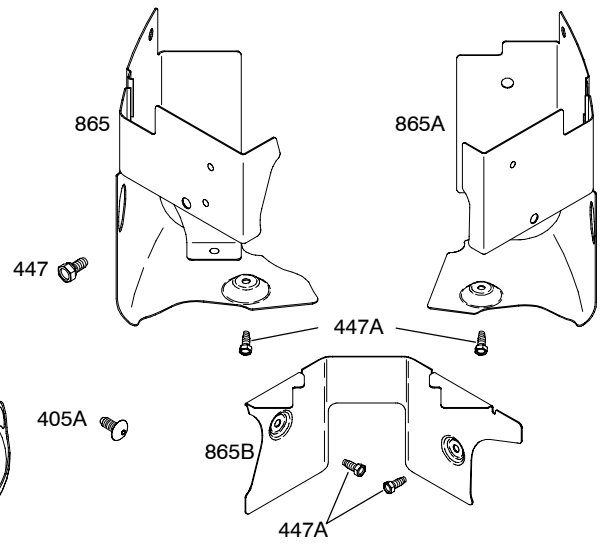
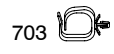
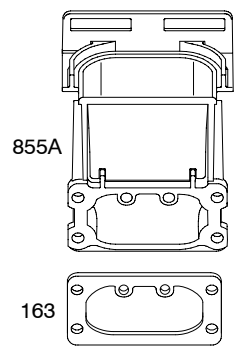
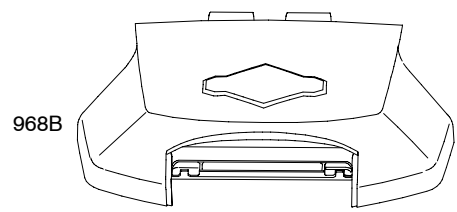
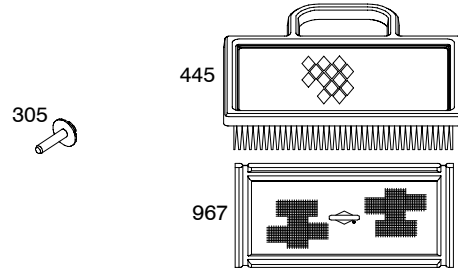
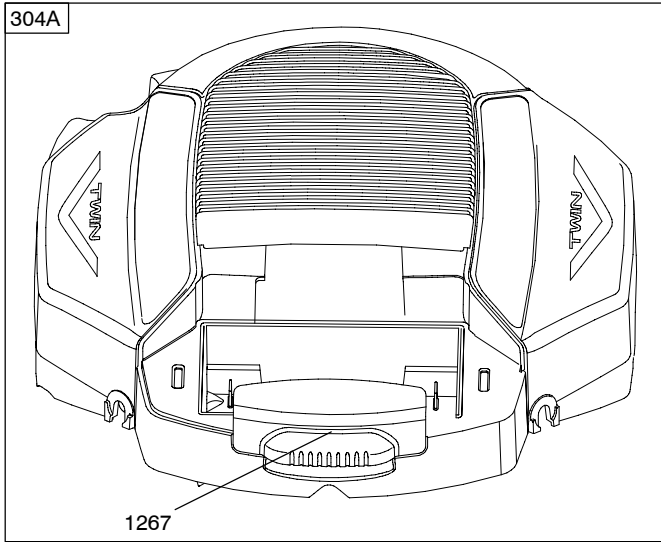


Illustrations cover a range of engines. Parts shown without corresponding text may not be used on your specific engine.  
 3330-3 Assemblies include all parts shown in frames. 08/17/2005

**446600**

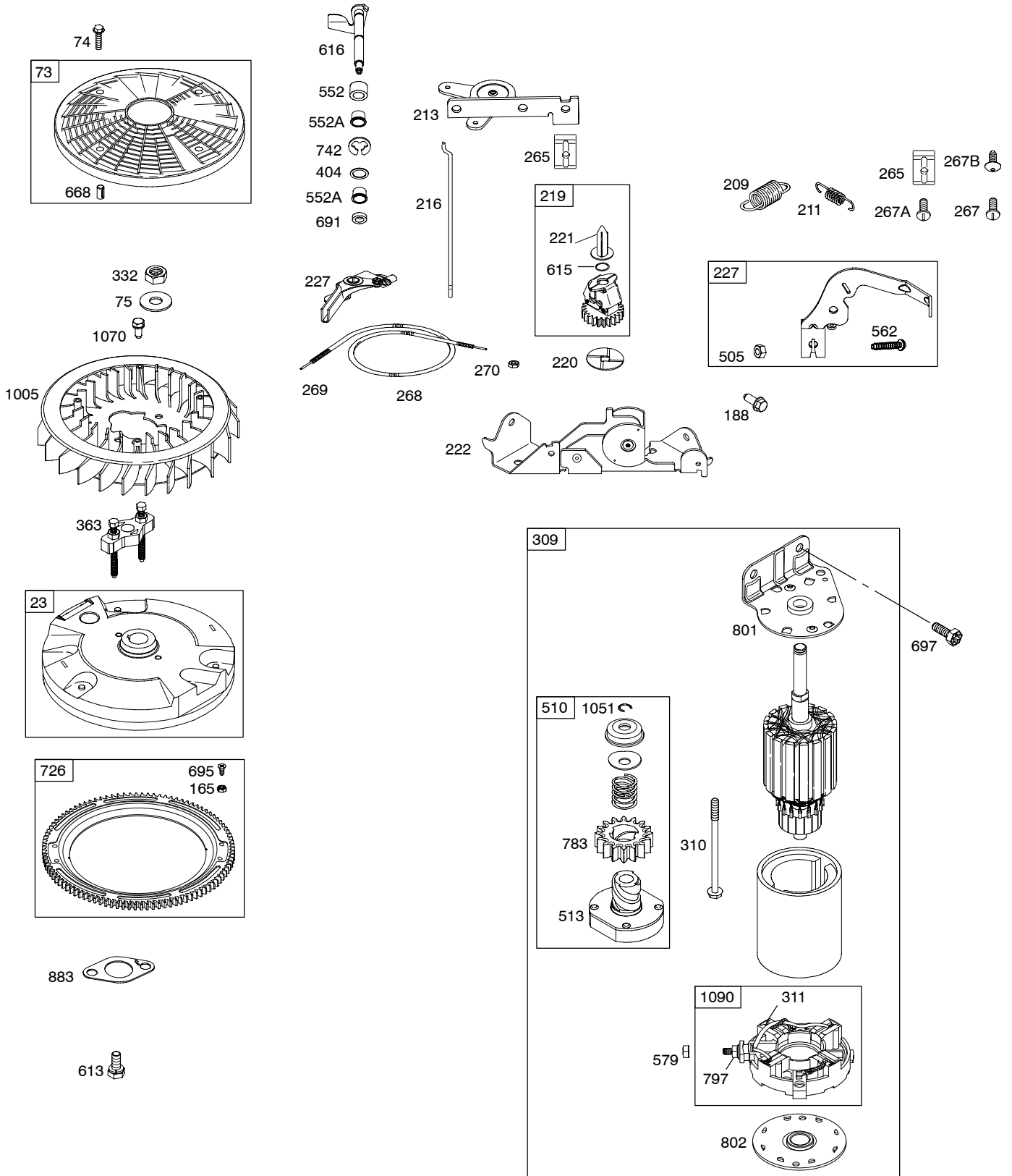


Illustrations cover a range of engines. Parts shown without corresponding text may not be used on your specific engine.  
 3330-4 Assemblies include all parts shown in frames. 08/17/2005


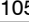
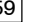






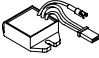



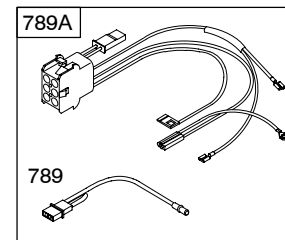
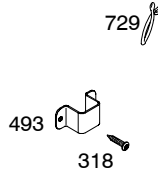
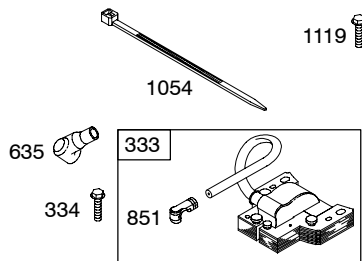
1036 EMISSIONS LABEL

**446600**



Illustrations cover a range of engines. Parts shown without corresponding text may not be used on your specific engine.  
 3330-6 Assemblies include all parts shown in frames. 08/17/2005

	TRI CIRCUIT		10 - 16 AMP	
<p><b>NOTE:</b> All Stators Use a No. 1119 Mounting Screw. </p> <p><b>NOTE:</b> The proper flywheel part number and/or the alternator magnet size will determine the alternator type or output. See repair instruction manual for additional information.</p>	474C	1059  	474D	1059  
	877B 		877C 	
	501A 	526A 	501 	526 







**446600**

REF. NO.	PART NO.	DESCRIPTION	REF. NO.	PART NO.	DESCRIPTION	REF. NO.	PART NO.	DESCRIPTION
95	690718	Screw (Throttle Valve)	187A	791801	Line-Fuel (Molded) Used on Type No(s). 0125, 0126, 0366, 0463.	231	690718	Screw (Choke Valve)
98	699721	Kit-Idle Speed				239	491657	Switch-Oil Pressure Used on Type No(s). 0366.
104	694918	Pin-Float Hinge	187B	791881	Line-Fuel (Cut To Required Length)	240A	695666	Filter-Fuel
105	698537	Valve-Float Needle				250	690957	Retainer-Breather
108	699723	Valve-Choke	187D	791744	Line-Fuel (Molded) Used on Type No(s). 0470.	252	690956	Collector-Oil
117	699732	Jet-Main (Standard) (Left)(Nikki)				265	691024	Clamp-Casing Used on Type No(s). 0125, 0126, 0463, 0470.
117A	699733	Jet-Main (Standard) (Right)(Nikki)	188	691108	Screw (Control Bracket)	267	691044	Screw (Casing Clamp) Used on Type No(s). 0125, 0126.
118	790890	Jet-Main (High Altitude) (Left)(Nikki)	192	690083	Adjuster-Rocker Arm	267A	695134	Screw (Casing Clamp) Used on Type No(s). 0463, 0470.
118A	699458	Jet-Main (High Altitude) (Right)(Nikki)	209	697674	Spring-Governor (Brown) ----- <b>Note</b> ----- <b>698071</b> Spring-Governor Used on Type No(s). 0125, 0126.	267B	697820	Screw Used on Type No(s). 0366.
121	699734	Kit-Carburetor Overhaul	211	691019	Spring-Governed Idle	268	691025	Casing-Control Wire (Cut To Required Length)
125	699709	Carburetor	212	695238	Link-Throttle (Used With Plastic Intake Manifold)	269	691026	Wire-Control (Cut To Required Length)
130	690993	Valve-Throttle	213	691021	Bracket-Choke Control	270	691027	Nut (Control Wire Casing)
131	499805	Kit-Throttle Shaft	216	691022	Link-Choke	271	691048	Lever-Control
133	699724	Float-Carburetor	219	698231	Gear-Governor (Governor Gear)	276★◆	690997	Washer-Sealing
135	699729	Tube-Fuel Transfer	220	690412	Washer	287	691130	Screw (Dipstick Tube)
137	690994	Gasket-Float Bowl	221	841026	Cup-Governor	304A	698073	Housing-Blower (Black)
141	699722	Kit-Choke Shaft	222	698761	Bracket-Control			
142	699726	Nozzle-Carburetor (Standard)	227	691048	Lever-Governor Control			
146	690979	Key-Timing						
150	690995	Gasket-Nozzle						
160	699727	Retainer-Solenoid						
163	691001	Gasket-Air Cleaner						
165	693148	Nut (Ring Gear)						

★ Included in Engine Gasket Set-Ref. No.358.

● Included in Carburetor Overhaul Kit-Ref. No. 121.

◆ Included in Carburetor Gasket Set-Ref. No. 977.

△ Included in Valve Gasket Set-Ref. No 1095.

*Illustrations cover a range of engines. Parts shown without corresponding text may not be used on your specific engine.*

# 446600

REF. NO.	PART NO.	DESCRIPTION	REF. NO.	PART NO.	DESCRIPTION	REF. NO.	PART NO.	DESCRIPTION
305	691005	Screw (Blower Housing)(21/32" Long)	493	698024	Bracket-Mounting	601A	691038	Clamp-Hose (Black)
309	497401	Motor-Starter	501	691185	Regulator (10 Amp Circuit) Used on Type No(s). 0125, 0126, 0463, 0470.	613	690341	Screw (Exhaust) Used on Type No(s). 0125, 0126.
310	691263	Screw (Starter Motor)	501A	691188	Regulator (5 To 9 Amp Regulated) Used on Type No(s). 0366.	615	698290	Retainer-Governor Shaft
311	497608	Brush Set	505	691029	Nut (Governor Control Lever)	616	691045	Crank-Governor
318	690372	Screw (Mounting Bracket)	510	696541	Drive-Starter	617	697891	Seal-O Ring (Intake Manifold)
332	691059	Nut (Flywheel)	513	692024	Clutch-Drive	628	691108	Screw (Fuel Pump Bracket)
333	691060	Armature-Magneto	523	691036	Dipstick	633	◆690998	Seal-Choke/Throttle Shaft
334	691061	Screw (Magneto Armature)	524	★691032	Seal-Dipstick Tube	635	66538	Boot-Spark Plug
337	491055	Plug-Spark	525	691037	Tube-Dipstick	654	690958	Nut (Carburetor)
357	691483	Key-Drive Pulley	526	691108	Screw (Regulator) (10 Amp Circuit) Used on Type No(s). 0125, 0126, 0463, 0470.	668	691215	Spacer
358A	694012	Gasket Set-Engine	544		Armature-Starter (Service With 497401 Starter Motor)	672	◆690234	Gasket-Carburetor Plate
363	19203	Puller-Flywheel	552	690552	Bushing-Governor Crank	691	★790574	Seal-Governor Shaft
383	19374	Wrench-Spark Plug	552A	690553	Bushing-Governor Crank	695	693149	Screw (Ring Gear)
385	691108	Screw (Fuel Pump)	562	690311	Bolt (Governor Control Lever)	697	690372	Screw (Drive Cap)
387	808656	Pump-Fuel	573	790444	Plate-Back	703	691010	Clip
404	690442	Washer (Governor Crank)	579	691029	Nut (Starter Cable)	718	690959	Pin-Locating
405A	697820	Screw (Back Plate)				726	499612	Gear-Ring
415	690283	Plug Used on Type No(s). 0463, 0470.				729	694123	Clip-Wire Used on Type No(s). 0366.
418	690999	Plate-Carburetor				741	690980	Gear-Timing
445	698754	Filter-Air Cleaner Cartridge				742	690328	Retainer-E Ring
447	691003	Screw (Air Guide Cover)				750	696999	Screw (Oil Pump Cover)
447A	691108	Screw (Air Guide Cover)				783	695708	Gear-Pinion
474C	696457	Alternator (Tri Circuit) Used on Type No(s). 0366.				788	691039	Bracket-Fuel Pump
474D	696458	Alternator (10 Amp Circuit) Used on Type No(s). 0125, 0126, 0463, 0470.				789	790544	Harness-Wiring
						789A	698330	Harness-Wiring (6 Pin Customer Conversion)
						797	693167	Nut (Brush Retainer)

★ Included in Engine Gasket Set-Ref. No.358.

● Included in Carburetor Overhaul Kit-Ref. No. 121.

◆ Included in Carburetor Gasket Set-Ref. No. 977.

△ Included in Valve Gasket Set-Ref. No 1095.

**Illustrations cover a range of engines. Parts shown without corresponding text may not be used on your specific engine.**

**446600**

REF. NO.	PART NO.	DESCRIPTION	REF. NO.	PART NO.	DESCRIPTION	REF. NO.	PART NO.	DESCRIPTION
798	697890	Screw (Rocker Arm)	918	694000	Hose-Vacuum	1027A	696854	Filter-Oil
801	691283	Cap-Drive	929	695239	Screw (Choke Control Bracket)	1029	690972	Arm-Rocker
802	691286	Cap-End				1035	691042	Shaft-Pump
803		Housing-Starter (Service With 497401 Starter Motor)	943	*690589	Seal-O Ring (Oil Pump Cover)	1036	790626	Label-Emissions
842	*691031	Seal-O Ring (Dipstick Tube)	947	699728	Solenoid-Fuel	1051	691265	Ring-Retaining
847	499602	Dipstick/Tube Assembly	965	499613	Cover-Oil Pump	1054	280275	Tie-Cable
851	493880	Terminal-Spark Plug	967	273638	Filter-Pre Cleaner	1058	275475	Operator's Manual
855A	698072	Adapter-Air Cleaner	968B	790096	Cover-Air Cleaner	1059	698516	Kit-Screw/Washer
865	691012	Cover-Air Guide (Cylinder 1)	975	499810	Bowl-Float	1070	691058	Screw (Flywheel Fan)
865A	691014	Cover-Air Guide (Cylinder 2)	977	699735	Gasket Set-Carburetor	1090	691293	Retainer-Brush
865B	691015	Cover-Air Guide (Valley)	987	◆691000	Seal-Throttle Shaft	1095	694013	Gasket Set-Valve
868	*690968	Seal-Valve	1005	698760	Fan-Flywheel	1100	791959	Pivot-Rocker Arm
877B	393537	Wire/Connector-Alternator (Tri Circuit)	1013	690954	Nipple-Oil Filter	1119	691183	Screw (Alternator)
877C	399916	Wire/Connector-Alternator (10 Amp Circuit)	1017	690770	Screen-Oil Pump	1123	◆699725	Seal-O Ring (Solenoid Retainer)
883	690970	Gasket-Exhaust Used on Type No(s). 0125, 0126.	1019	790094	Kit-Label	1124	690988	Seal-O Ring (Fuel Transfer Tube)
914	691127	Screw (Rocker Cover)	1022	*△690971	Gasket-Rocker Cover	1126	690991	Screw (Fuel Transfer Tube)
			1023	499599	Cover-Rocker (Cylinder 1)	1127	690992	Screw (Float Bowl)
			1023A	499600	Cover-Rocker (Cylinder 2)	1128	690990	Screw (Carburetor Nozzle)
			1024	499054	Pump-Oil	1146	690718	Screw (Choke Shaft)
			1026	690981	Rod-Push (Steel)	1267	698440	Latch-Blower Housing
			1026A	690982	Rod-Push (Aluminum)	1330	273521	Repair Manual
						1342	699731	Extension-Fuel Transfer Tube
						1353	699725	Seal-O Ring (Fuel Transfer Tube Extension)

★ Included in Engine Gasket Set-Ref. No.358.

● Included in Carburetor Overhaul Kit-Ref. No. 121.

◆ Included in Carburetor Gasket Set-Ref. No. 977.

△ Included in Valve Gasket Set-Ref. No 1095.

*Illustrations cover a range of engines. Parts shown without corresponding text may not be used on your specific engine.*