

**445700**

# Illustrated Parts List

## Model Series

# 445700

TYPE NUMBERS  
0027 through 0539.

### TABLE OF CONTENTS

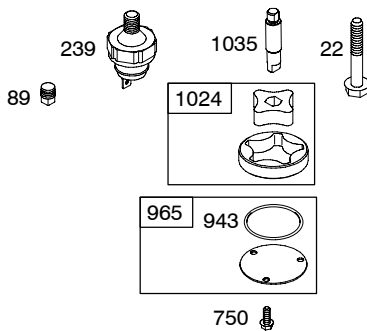
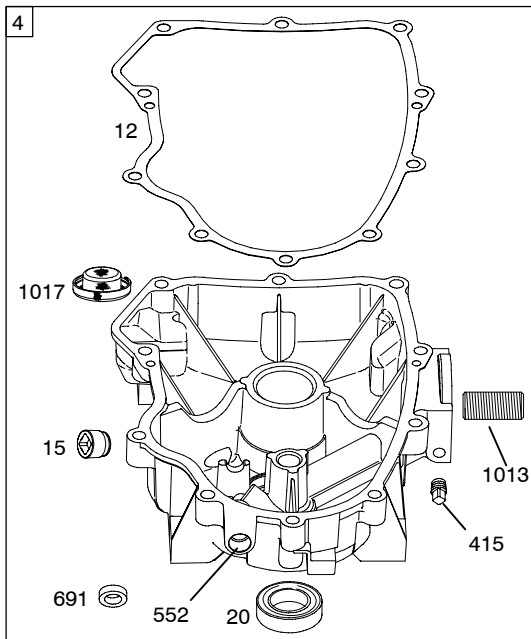
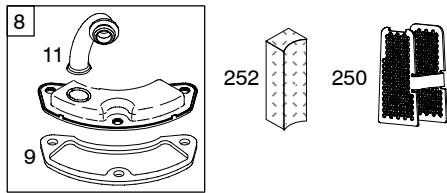
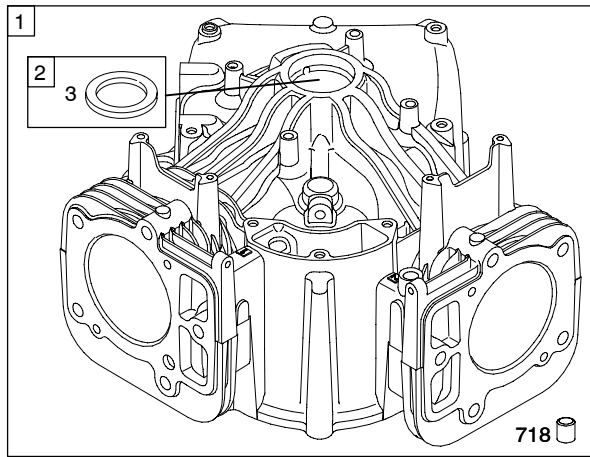
Air Cleaner .....	6
Alternators .....	8
Blower Housing/Shrouds .....	6
Camshaft .....	3
Carburetor .....	5
Controls .....	7
Crankcase Sump .....	2
Crankshaft .....	3
Cylinder .....	2
Cylinder Head .....	4
Electric Starter .....	7
Exhaust System .....	5
Flywheel .....	7
Ignition .....	8
Kit/Gasket Set - Carburetor .....	5
Kit/Gasket Set - Engine .....	2
Kit/Gasket Set - Valve .....	4
Lubrication .....	3
Piston, Rings, Connecting Rod .....	3
Valves .....	4



PRINTED IN U.S.A.

COPYRIGHT by BRIGGS & STRATTON CORPORATION  
 All rights reserved. No part of this material may be reproduced or transmitted,  
 in any form or by any means, electronic or mechanical, including photocopying,  
 recording or by any information storage and retrieval system, without permission  
 in writing from Briggs & Stratton Corporation.

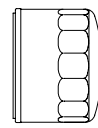
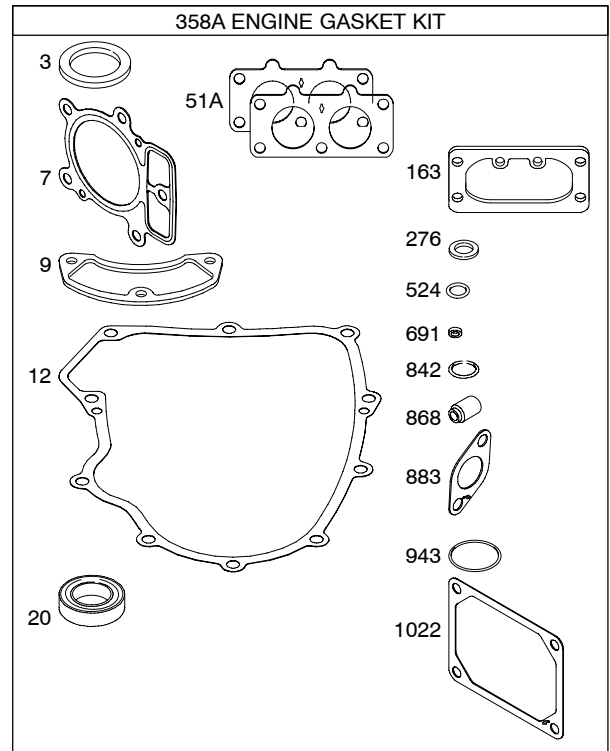
# 445700



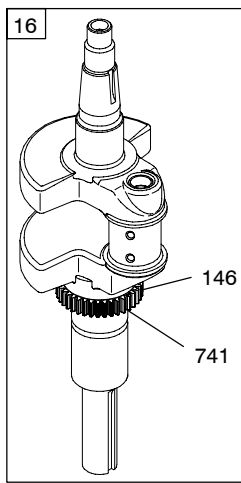
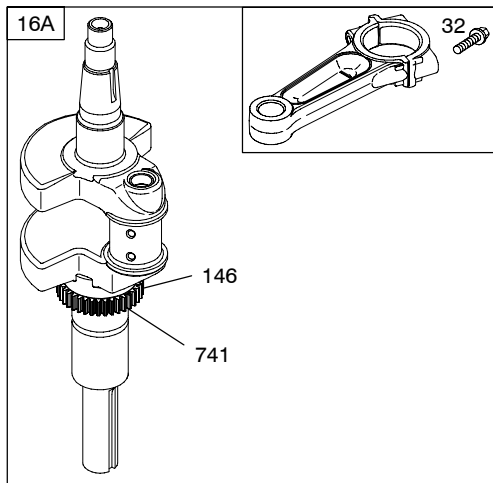
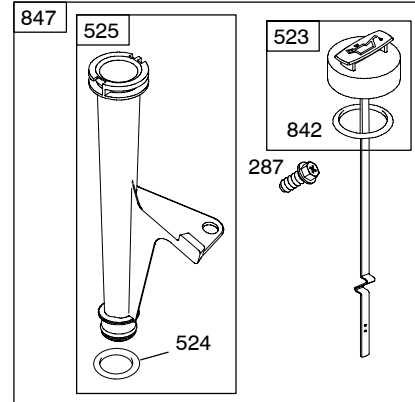
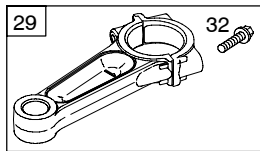
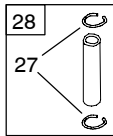
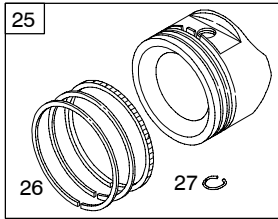
1019 LABEL KIT

1058 OPERATOR'S MANUAL

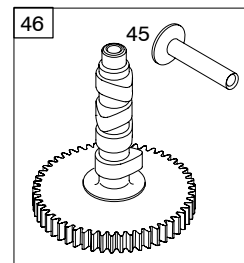
1330 REPAIR MANUAL



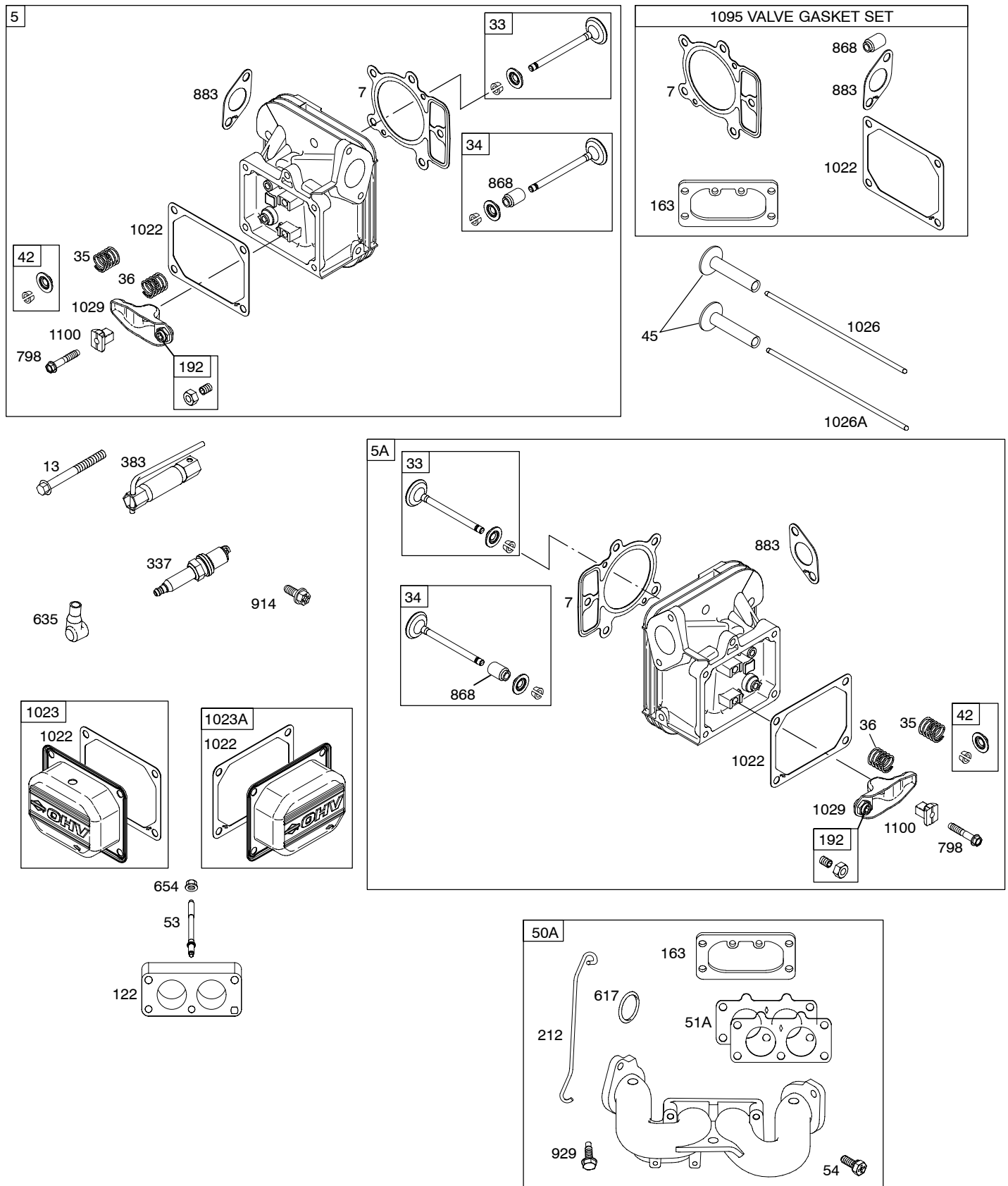
Illustrations cover a range of engines. Parts shown without corresponding text may not be used on your specific engine.  
 6099-2 Assemblies include all parts shown in frames. 08/01/2005



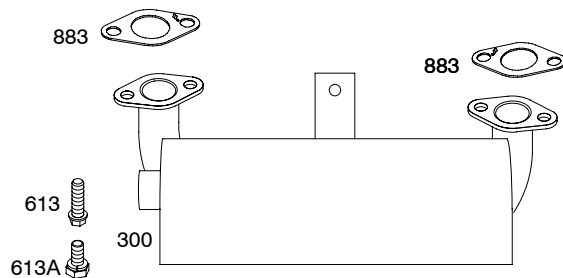
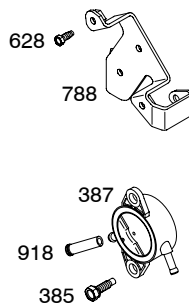
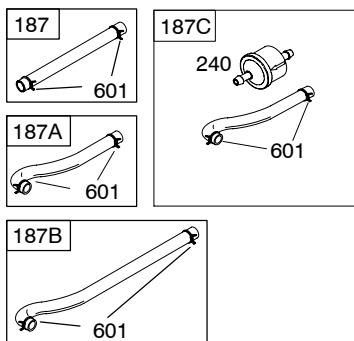
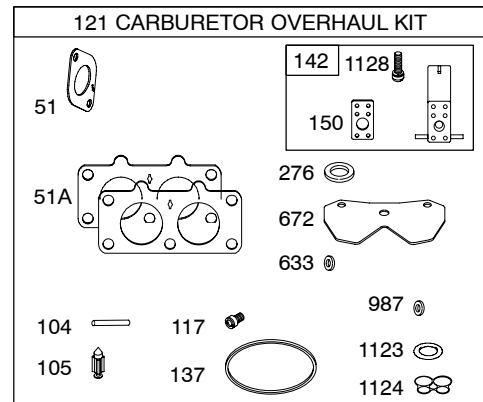
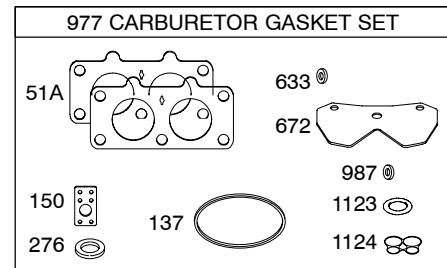
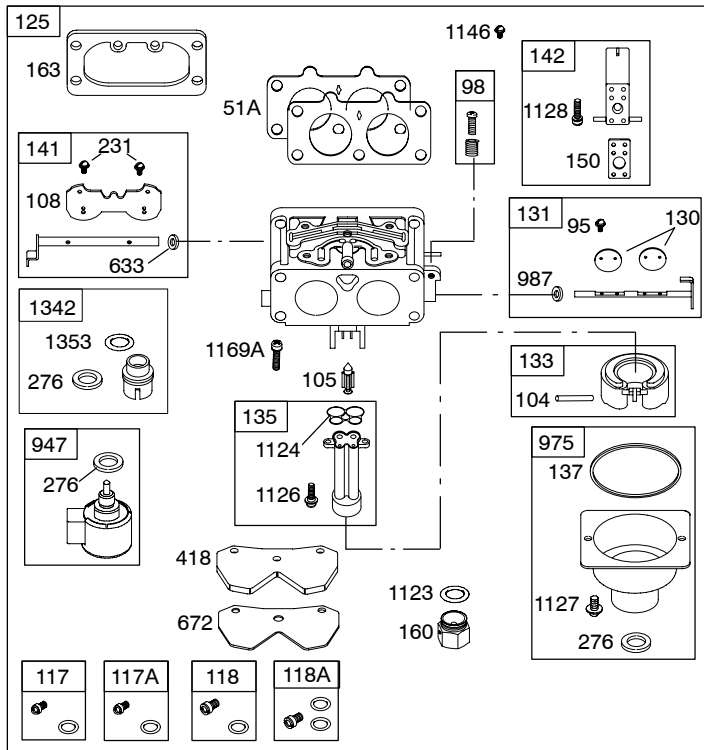
24



# 445700

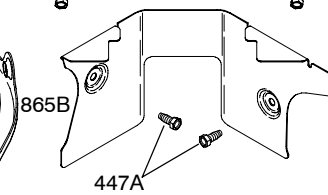
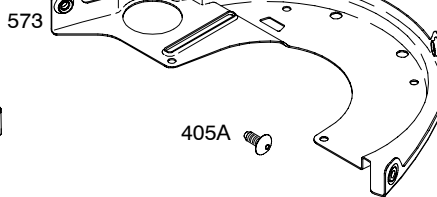
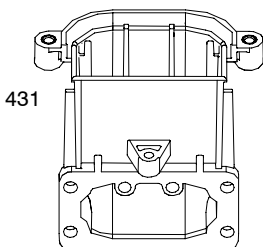
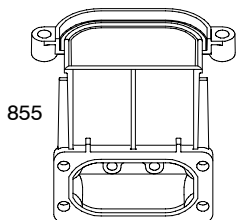
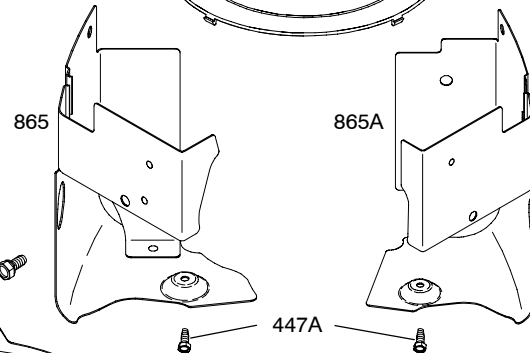
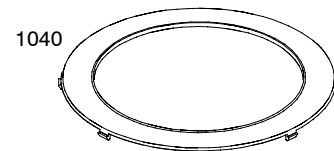
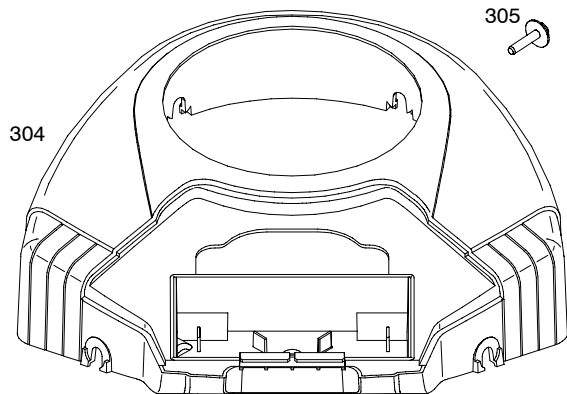
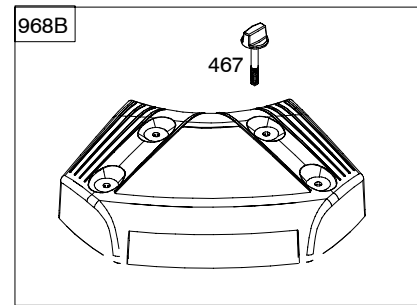
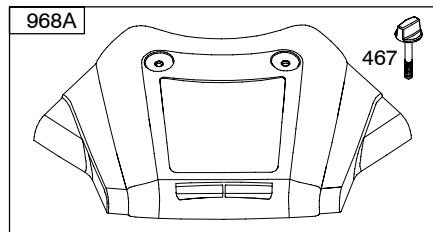
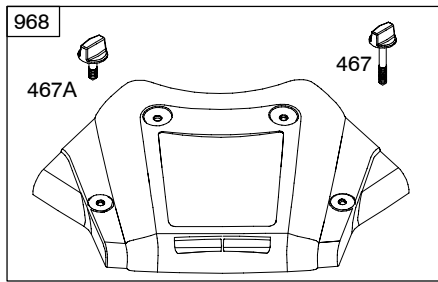


Illustrations cover a range of engines. Parts shown without corresponding text may not be used on your specific engine.  
 6099-4 Assemblies include all parts shown in frames. 08/01/2005



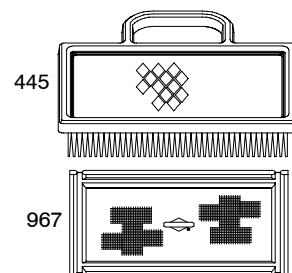
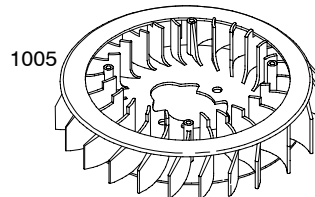
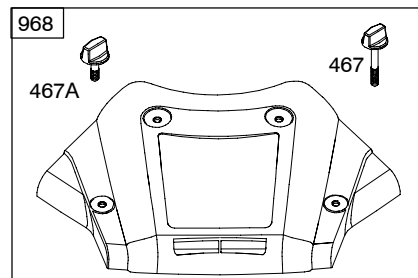
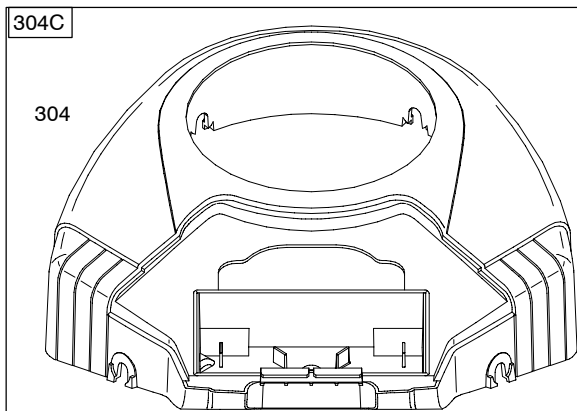
Illustrations cover a range of engines. Parts shown without corresponding text may not be used on your specific engine.  
6099-5 Assemblies include all parts shown in frames. 08/01/2005

# 445700

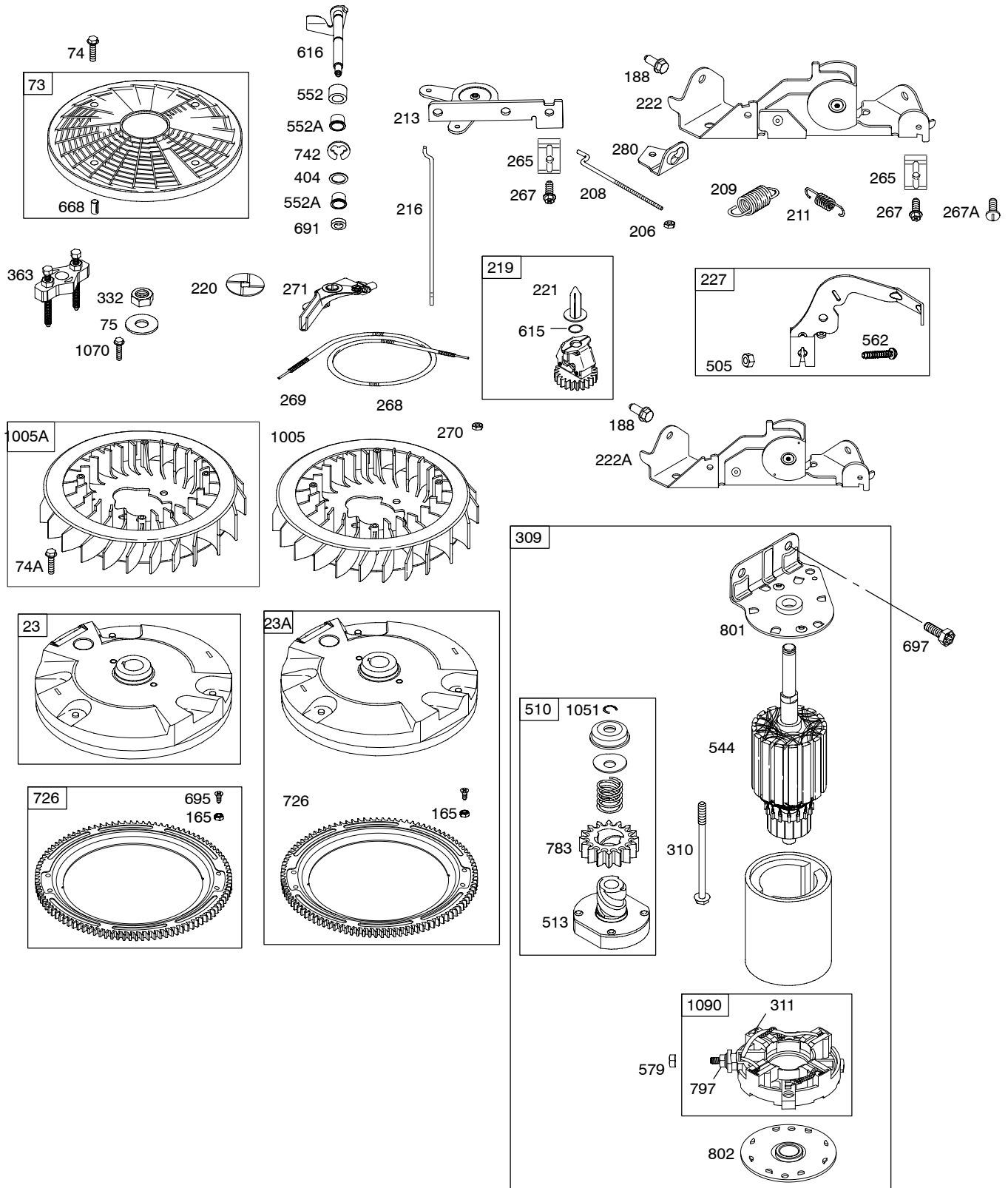


163

1036 EMISSION LABEL



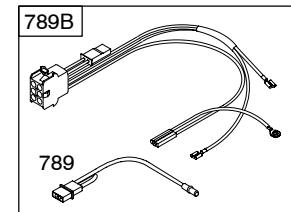
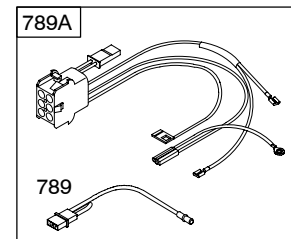
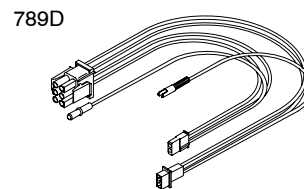
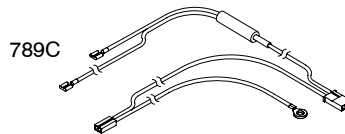
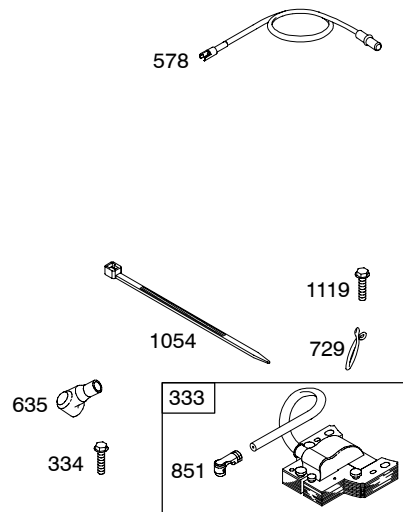
Illustrations cover a range of engines. Parts shown without corresponding text may not be used on your specific engine.  
6099-6 Assemblies include all parts shown in frames. 08/01/2005



Illustrations cover a range of engines. Parts shown without corresponding text may not be used on your specific engine.  
 6099-7 Assemblies include all parts shown in frames. 08/01/2005

# 445700

DUAL CIRCUIT		TRI CIRCUIT		9 AMP	10 - 16 AMP
474B	1059	474C	1059	474C	474D
877		877B		877B	877C
878				578	578
<p><b>NOTE:</b> All Stators Use a No. 1119 Mounting Screw. </p> <p><b>NOTE:</b> The proper flywheel part number and/or the alternator magnet size will determine the alternator type or output. See repair instruction manual for additional information.</p>				526A	526
				501A	501





**445700**

REF. NO.	PART NO.	DESCRIPTION	REF. NO.	PART NO.	DESCRIPTION	REF. NO.	PART NO.	DESCRIPTION
1	699753	Cylinder Assembly (Used After Code Date 03090100). ----- <b>Note</b> ----- 699740 Cylinder Assembly (Used Before Code Date 03090200).	16A	699701	Crankshaft (Includes Connecting Rod) (Used Before Code Date 04010900). ----- <b>Note</b> ----- 790133 Crankshaft (Includes Connecting Rod) (Used Before Code Date 04010900). Used on Type No(s). 0112, 0133.	24	222698	Key-Flywheel
2	499585	Kit-Bushing/Seal (Magneto Side)				25	792023	Piston Assembly (Standard) (Used After Code Date 05071800). ----- <b>Note</b> ----- 792072 Piston Assembly (.020" Oversize)
3	★391086	Seal-Oil (Magneto Side)						694003 Piston Assembly (Used After Code Date 05071800). (Standard) (Used Before Code Date 05071900).
4	699747	Sump-Engine (Used After Code Date 03082800). ----- <b>Note</b> ----- 690069 Sump-Engine (Used Before Code Date 03082900).						694007 Piston Assembly (.020" Oversize) (Used Before Code Date 05071900).
5	693998	Head-Cylinder (Cylinder 1)	20	★791892	Seal-Oil (PTO Side)	26	792026	Ring Set (Standard) (Used After Code Date 05071800). ----- <b>Note</b> ----- 792073 Ring Set (.020" Oversize) (Used After Code Date 05071800).
5A	693999	Head-Cylinder (Cylinder 2)	22	694966	Screw (Crankcase Cover/Sump)			694004 Ring Set (Used Before Code Date 05071900).
7	★Δ693997	Gasket-Cylinder Head						694008 Ring Set (.020" Oversize) (Used Before Code Date 05071900).
8	792185	Breather Assembly	23	691053	Flywheel ----- <b>Note</b> ----- 691054 Flywheel Used on Type No(s). 0113, 0117, 0126, 0127, 0248, 0263.	27	690975	Lock-Piston Pin
9	★690937	Gasket-Breather				28	690229	Pin-Piston (Standard)
10	691108	Screw (Breather Assembly)	23A	694358	Flywheel ----- <b>Note</b> ----- Used on Type No(s). 0132.			
11	792184	Tube-Breather						
12	★697227	Gasket-Crankcase						
13	791130	Screw (Cylinder Head)						
15	690946	Plug-Oil Drain						
16	699700	Crankshaft (Used After Code Date 04010800). ----- <b>Note</b> ----- 790132 Crankshaft (Used After Code Date 04010800). Used on Type No(s). 0112, 0133. 790136 Crankshaft (Used After Code Date 04010800). Used on Type No(s). 0315.						

★ Included in Engine Gasket Set-Ref. No.358.

● Included in Carburetor Overhaul Kit-Ref. No. 121.

◆ Included in Carburetor Gasket Set-Ref. No. 977.

Δ Included in Valve Gasket Set-Ref. No 1095.

*Illustrations cover a range of engines. Parts shown without corresponding text may not be used on your specific engine.*

6099-9

Assemblies include all parts shown in frames.

8/01/2005

**445700**

REF. NO.	PART NO.	DESCRIPTION	REF. NO.	PART NO.	DESCRIPTION	REF. NO.	PART NO.	DESCRIPTION
29	699699	Rod-Connecting (Standard) (Used After Code Date 04010800). ----- <b>Note</b> ----- (For Replacement Connecting Rod, See Reference 16A) (Used Before Code Date 04010900).	54	695239	Screw (Intake Manifold) (Used With Plastic Intake Manifold) (Used After Code Date 04080300).	117	699732	Jet-Main (Standard) (Left)(Nikki) (Used After Code Date 04080300). ----- <b>Note</b> -----
32	690976	Screw (Connecting Rod)	73	494439	Screen-Rotating		690232	Jet-Main (Standard) (Used Before Code Date 04080400).
33	499596	Valve-Exhaust	74	698425	Screw (Rotating Screen)		791501	Jet-Main Used on Type No(s). 0264.
34	697464	Valve-Intake ----- <b>Note</b> ----- <b>792200</b> Valve-Exhaust Used on Type No(s). 0264.	74A	691674	Screw (Rotating Screen) Used on Type No(s). 0132.			
35	690963	Spring-Valve (Intake)	75	691056	Washer (Flywheel)	117A	699733	Jet-Main (Standard) (Right)(Nikki) (Used After Code Date 04080300). ----- <b>Note</b> -----
36	690963	Spring-Valve (Exhaust)	89	690283	Plug-Oil		791502	Jet-Main (Standard) (Right)(Nikki) Used on Type No(s). 0264.
42	499586	Keeper-Valve	95	690718	Screw (Throttle Valve)			
45	690977	Tappet-Valve	98	699721	Kit-Idle Speed (Used After Code Date 04080300). ----- <b>Note</b> -----			
46	790562	Camshaft (Used After Code Date 03082800). ----- <b>Note</b> ----- <b>690978</b> Camshaft (Used Before Code Date 03082900). <b>791235</b> Camshaft (Used After Code Date 05082200). Used on Type No(s). 0027, 0100, 0112, 0117, 0127, 0129, 0134, 0135, 0168, 0172, 0200, 0231, 0248, 0263, 0315, 0352, 0539. <b>791235</b> Camshaft Used on Type No(s). 0264.	104	694918	Pin-Float Hinge (Used After Code Date 04080300). ----- <b>Note</b> ----- <b>690984</b> Pin-Float Hinge (Used Before Code Date 04080400).	118	790890	Jet-Main (High Altitude) (Left)(Nikki) (Used After Code Date 04080300). ----- <b>Note</b> ----- <b>690989</b> Jet-Main (High Altitude) (Used Before Code Date 04080400).
50A	695241	Manifold-Intake (Plastic)	105	698537	Valve-Float Needle (Used After Code Date 04080300). ----- <b>Note</b> ----- <b>690985</b> Valve-Float Needle (Used Before Code Date 03080400).	118A	699458	Jet-Main (High Altitude) (Right)(Nikki) (Used After Code Date 04080300).
51A★◆△	791677	Gasket-Intake	108	699723	Valve-Choke (Used After Code Date 04080300). ----- <b>Note</b> ----- <b>690986</b> Valve-Choke (Used Before Code Date 04080400).	121	699734	Kit-Carburetor Overhaul (Used After Code Date 04080300). ----- <b>Note</b> ----- <b>499811</b> Kit-Carburetor Overhaul (Used Before Code Date 04080400).
51★◆△	690949	Gasket-Intake (Used Before Code Date 00102000).						
53	690951	Stud (Carburetor)						

★ Included in Engine Gasket Set-Ref. No.358.

◆ Included in Carburetor Overhaul Kit-Ref. No. 121.

◆ Included in Carburetor Gasket Set-Ref. No. 977.

△ Included in Valve Gasket Set-Ref. No 1095.

**Illustrations cover a range of engines. Parts shown without corresponding text may not be used on your specific engine.**

**445700**

REF. NO.	PART NO.	DESCRIPTION	REF. NO.	PART NO.	DESCRIPTION	REF. NO.	PART NO.	DESCRIPTION
122	690952	Spacer-Carburetor (Used Before Code Date 00102100).	160	699727	Retainer-Solenoid (Used After Code Date 04080300).	209	692909	Spring-Governor (Yellow) ----- <b>Note</b> -----
125	699709	Carburetor		690996	----- <b>Note</b> -----		697674	Spring-Governor (Brown)
130	690993	Valve-Throttle		690996	Retainer-Solenoid (Used Before Code Date 04080400).			Used on Type No(s). 0027, 0112, 0114, 0115, 0122, 0126, 0127, 0129, 0134, 0154, 0155, 0168, 0170, 0172, 0200, 0211, 0231, 0248, 0263, 0315, 0352.
131	499805	Kit-Throttle Shaft	163	★△691001	Gasket-Air Cleaner			<b>698071</b> Spring-Governor Used on Type No(s). 0100, 0117, 0133, 0135.
133	699724	Float-Carburetor (Used After Code Date 04080300). ----- <b>Note</b> -----	165	693148	Nut (Ring Gear)			<b>692909</b> Spring-Governor (Used Before Code Date 02021000). Used on Type No(s). 0133.
	499806	Float-Carburetor (Used Before Code Date 04080400).	187	791766	Line-Fuel (Cut To Required Length)			<b>792018</b> Spring-Governor Used on Type No(s). 0116, 0132
135	◆699729	Tube-Fuel Transfer (Used After Code Date 04080300). ----- <b>Note</b> -----	187A	791801	Line-Fuel (Molded)			<b>211</b> <b>691019</b> Spring-Governed Idle
	499803	Tube-Fuel Transfer (Used Before Code Date 04080400).	187B	791744	Line-Fuel (Molded) Used on Type No(s). 0112, 0129, 0154, 0155, 0170, 0172, 0539.			<b>212</b> <b>695238</b> Link-Throttle (Used With Plastic Intake Manifold) (Used After Code Date 00101900). ----- <b>Note</b> -----
137	◆690994	Gasket-Float Bowl	187C	693180	Line-Fuel (Molded) (Used Before Code Date 05080100).			<b>691020</b> Link-Throttle (Used With Aluminum Intake Manifold) (Used Before Code Date 00102000).
141	699722	Kit-Choke Shaft (Used After Code Date 04080300). ----- <b>Note</b> -----	188	691108	Screw (Control Bracket)			
	499807	Kit-Choke Shaft (Used Before Code Date 04080400).	192	690083	Adjuster-Rocker Arm			
142	◆699726	Nozzle-Carburetor (Standard) (Used After Code Date 04080300). ----- <b>Note</b> -----	206	691244	Nut,-Governor Adjusting			
	499808	Nozzle-Carburetor (Standard) (Used Before Code Date 04080400).	208	690566	Rod-Governor Control			
146	690979	Key-Timing						
150	◆690995	Gasket-Nozzle						

★ Included in Engine Gasket Set-Ref. No.358.

● Included in Carburetor Overhaul Kit-Ref. No. 121.

◆ Included in Carburetor Gasket Set-Ref. No. 977.

△ Included in Valve Gasket Set-Ref. No 1095.

*Illustrations cover a range of engines. Parts shown without corresponding text may not be used on your specific engine.*

# 445700

REF. NO.	PART NO.	DESCRIPTION	REF. NO.	PART NO.	DESCRIPTION	REF. NO.	PART NO.	DESCRIPTION
213	691021	Bracket-Choke Control	304	790688	Housing-Blower (Black)	337	491055	Plug-Spark ----- <b>Note</b> -----
216	691022	Link-Choke			----- <b>Note</b> -----			<b>691043</b> Plug-Spark
219	698231	Gear-Governor			<b>791243</b>			Used on Type No(s).
220	690412	Washer (Governor Gear)			Housing-Blower (Black)			0112, 0113, 0114, 0117, 0122, 0127, 0129, 0135, 0154, 0168, 0172,0211, 0352.
221	841026	Cup-Governor			Used on Type No(s). 0264.			
222	698761	Bracket-Control	304C	790692	Housing-Blower (Black)	358A	694012	Gasket Set-Engine
222A	698757	Bracket-Control Used on Type No(s). 0352.	305	691005	Screw (Blower Housing) (21/32" Long)	363	19203	Puller-Flywheel
227	691048	Lever-Governor Control	305A	698336	Screw (Blower Housing) (11/16" Long)	383	19374	Wrench-Spark Plug
231	690718	Screw (Choke Valve)			Used on Type No(s). 0200, 0248.	385	691108	Screw (Fuel Pump)
239	792028	Switch-Oil Pressure	305B	790690	Screw (Blower Housing to Intake Elbow) (11/16" Long)	387	808656	Pump-Fuel
240	691035	Filter-Fuel				404	690442	Washer (Governor Crank)
250	690957	Retainer-Breather	309	497401	Motor-Starter ----- <b>Note</b> -----	405A	697820	Screw (Back Plate) (Mounting)
252	690956	Collector-Oil			<b>497595</b> Motor-Starter Used on Type No(s). 0200, 0231, 0248, 0263, 0315.	415	690283	Plug (Sump)
265	691024	Clamp-Casing	310	691263	Screw (Starter Motor) ----- <b>Note</b> -----	418	690999	Plate-Carburetor
267	691044	Screw (Casing Clamp)			<b>690323</b> Screw (Starter Motor) Used on Type No(s). 0200, 0231, 0248, 0263, 0315.	431	790816	Elbow-Intake (Used After Code Date 04080300).
267A	695134	Screw (Casing Clamp) (Pan Head) Used on Type No(s). 0112, 0129, 0154, 0155, 0168, 0170, 0172, 0248, 0352, 0539.				445	499486	Filter-Air Cleaner Cartridge ----- <b>Note</b> -----
268	691025	Casing-Control Wire (Cut To Required Length)						<b>792101</b> Filter-Air Cleaner Cartridge (Used After Code Date 05082200)
269	691026	Wire-Control (Cut To Required Length)						Used on Type No(s). 0027, 0100, 0112, 0117, 0127, 0129, 0134, 0135, 0168, 0172, 0200, 0231, 0248, 0263, 0315, 0352, 0539.
270	691027	Nut (Control Wire Casing)	311	497608	Brush Set			<b>792101</b> Filter-Air Cleaner Cartridge Used on Type No(s). 0264.
271	691028	Lever-Control	332	691059	Nut (Flywheel)	447	691003	Screw (Air Guide Cover)
276★◆	690997	Washer-Sealing	333	691060	Armature-Magneto	447A	691108	Screw (Air Guide Cover)
280	691526	Bracket-Rod	334	691061	Screw (Magneto Armature)	467	691008	Knob-Air Cleaner
287	691108	Screw (Dipstick Tube)				467A	790697	Knob-Air Cleaner
300	696226	Muffler Used on Type No(s). 0133.				474B	696459	Alternator (Dual Circuit) Used on Type No(s). 0100, 0113, 0117, 0126, 0127, 0248, 0263.

★ Included in Engine Gasket Set-Ref. No.358.

● Included in Carburetor Overhaul Kit-Ref. No. 121.

◆ Included in Carburetor Gasket Set-Ref. No. 977.

△ Included in Valve Gasket Set-Ref. No 1095.

**Illustrations cover a range of engines. Parts shown without corresponding text may not be used on your specific engine.**

**445700**

REF. NO.	PART NO.	DESCRIPTION	REF. NO.	PART NO.	DESCRIPTION	REF. NO.	PART NO.	DESCRIPTION
474C	696457	Alternator (Tri Circuit) Used on Type No(s). 0116, 0135.	613	690297	Screw (Muffler) Used on Type No(s). 0133.	783	695708	Gear-Pinion
474D	696458	Alternator (10 Amp Circuit)	613A	690341	Screw (Muffler) Used on Type No(s). 0116, 0133.	788	691039	Bracket-Fuel Pump
501	691185	Regulator (10 Amp Circuit)	615	698290	Retainer-Governor Shaft	789	790544	Harness-Wiring
501A	691188	Regulator (10 Amp Circuit) Used on Type No(s). 0116, 0135.	616	691045	Crank-Governor	789A	698330	Harness-Wiring (6 Pin Customer Conversion) Used on Type No(s). 0027, 0112, 0116, 0129, 0134, 0154, 0170, 0200, 0231, 0248, 0263, 0264, 0315, 0352.
505	691029	Nut (Governor Control Lever)	617	697891	Seal-O Ring (Intake Manifold) (Used With Plastic Intake Manifold) (Used After Code Date 01073000).	789B	696576	Harness-Wiring Used on Type No(s). 0155, 0168, 0172, 0263, 0352, 0539..
510	696541	Drive-Starter	628	691108	Screw (Fuel Pump Bracket)	789C	691220	Harness-Wiring Used on Type No(s). 0027, 0112, 0113, 0114, 0115, 0117, 0122, 0126, 0127, 0135, 0211.
513	692024	Clutch-Drive	633	◆690998	Seal-Choke/Throttle Shaft	789D	695050	Harness-Wiring (6 Pin Customer Conversion) Used on Type No(s). 0027, 0112.
523	691036	Dipstick	635	66538	Boot-Spark Plug	797	693167	Nut (Brush Retainer)
524	★691032	Seal-Dipstick Tube	654	690958	Nut (Carburetor)	798	697890	Screw (Rocker Arm)
525	691037	Tube-Dipstick	668	△691215	Spacer	801	691283	Cap-Drive
526	691108	Screw (Regulator) (10 Amp Circuit)	672	◆690234	Gasket-Carburetor Plate	802	691286	Cap-End
526A	691129	Screw (Regulator) (10 Amp Circuit) Used on Type No(s). 0116, 0135.	691	★790574	Seal-Governor Shaft	842	★691031	Seal-O Ring (Dipstick Tube)
544		Armature-Starter (Service With 497401 Starter Motor) ----- Note ----- 692034 Armature-Starter Used on Type No(s). 0200, 0231, 0248, 0263, 0264, 0315.	695	693149	Screw (Ring Gear)	847	499602	Dipstick/Tube Assembly
552	690552	Bushing-Governor Crank	697	690372	Screw (Drive Cap)	851	493880	Terminal-Spark Plug
552A	690553	Bushing-Governor Crank	703	691010	Clip	855	691011	Adapter-Air Cleaner (Used Before Code Date 04080400).
562	690311	Bolt (Governor Control Lever)	718	690959	Pin-Locating	865	691012	Cover-Air Guide (Cylinder 1)
573	790444	Plate-Back	726	499612	Gear-Ring	865A	691014	Cover-Air Guide (Cylinder 2)
578	691208	Wire Assembly	729	694123	Clip-Wire	865B	691015	Cover-Air Guide (Valley)
579	691029	Nut (Starter Cable)	741	690980	Gear-Timing			
601	691038	Clamp-Hose (Green)	742	690328	Retainer-E Ring			
			750	696999	Screw (Oil Pump Cover)			

★ Included in Engine Gasket Set-Ref. No.358.

● Included in Carburetor Overhaul Kit-Ref. No. 121.

◆ Included in Carburetor Gasket Set-Ref. No. 977.

△ Included in Valve Gasket Set-Ref. No 1095.

*Illustrations cover a range of engines. Parts shown without corresponding text may not be used on your specific engine.*

# 445700

REF. NO.	PART NO.	DESCRIPTION	REF. NO.	PART NO.	DESCRIPTION	REF. NO.	PART NO.	DESCRIPTION
868	★690968	Seal-Valve	968	790095	Cover-Air Cleaner (Used Before Code Date 04080400).	1027	492932	Filter-Oil
877	393456	Wire/Connector-Alternator (Dual Circuit) Used on Type No(s). 0100, 0113, 0117, 0126, 0127, 0248, 0263.	968A	790689	Cover-Air Cleaner (Used After Code Date 04080300).	1029	690972	Arm-Rocker
877B	393537	Wire/Connector-Alternator (Tri Circuit) Used on Type No(s). 0116, 0135.	968B	791242	Cover-Air Cleaner Used on Type No(s). 0264, 0539.	1035	691042	Shaft-Pump
877C	399916	Wire/Connector-Alternator (10 Amp Circuit)	975	499810	Bowl-Float	1036	790626	Label-Emissions (Used After Code Date 04120700). ----- <b>Note</b> ----- <b>790625</b> Label-Emissions (Used After Code Date 04063000 and Before Code Date 04120800). <b>695704</b> Label-Emissions (Used After Code Date 00070200 and Before Code Date 04070100). <b>695432</b> Label-Emissions (Used After Code Date 00010900 and Before Code Date 00070300). <b>695104</b> Label-Emissions (Used After Code Date 00093000 and Before Code Date 00011000). <b>499783</b> Label-Emissions (Used Before Code Date 99100100).
878	691237	Harness-Alternator (Dual Circuit)	987	◆691000	Seal-Throttle Shaft	1040	791237	Plate-Trim
883	★△690970	Gasket-Exhaust Used on Type No(s). 0027, 0116, 0133, 0264.	1005	790698	Fan-Flywheel (Used After Code Date 04071900). ----- <b>Note</b> ----- <b>791236</b> Fan-Flywheel (Used After Code Date 05082200) Used on Type No(s). 0027, 0100, 0112, 0117, 0127, 0129, 0134, 0135, 0168, 0172, 0200, 0231, 0248, 0263, 0315, 0352, 0539. <b>791236</b> Fan-Flywheel Used on Type No(s). 0264.	1051	691265	Ring-Retaining
914	691127	Screw (Rocker Cover)	1005A	499603	Fan-Flywheel (Used Before Code Date 04072000). ----- <b>Note</b> ----- Used on Type No(s). 0132, 0154.	1054	280275	Tie-Cable
918	694000	Hose-Vacuum	1013	690954	Nipple-Oil Filter	1058	276245	Operator's Manual (Emission)
929	695239	Screw (Choke Control Bracket)(Used With Plastic Intake Manifold)	1017	690770	Screen-Oil Pump	1059	698516	Kit-Screw/Washer
943	★690589	Seal-O Ring (Oil Pump Cover)	1019	693995	Kit-Label	1070	691058	Screw (Flywheel Fan)
947	699728	Solenoid-Fuel (Used After Code Date 04080300). ----- <b>Note</b> ----- <b>499809</b> Solenoid-Fuel (Used Before Code Date 04080400).	1022	★△690971	Gasket-Rocker Cover	1090	691293	Retainer-Brush
965	499613	Cover-Oil Pump	1023	499599	Cover-Rocker (Cylinder 1)	1095	694013	Gasket Set-Valve
967	273638	Filter-Pre Cleaner	1023A	499600	Cover-Rocker (Cylinder 2)	1100	791959	Pivot-Rocker Arm
			1024	499054	Pump-Oil	1119	691183	Screw (Alternator)
			1026	690981	Rod-Push (Steel)			
			1026A	690982	Rod-Push (Aluminum)			

★ Included in Engine Gasket Set-Ref. No.358.

● Included in Carburetor Overhaul Kit-Ref. No. 121.

◆ Included in Carburetor Gasket Set-Ref. No. 977.

△ Included in Valve Gasket Set-Ref. No 1095.

**Illustrations cover a range of engines. Parts shown without corresponding text may not be used on your specific engine.**

**445700**

REF. NO.	PART NO.	DESCRIPTION	REF. NO.	PART NO.	DESCRIPTION	REF. NO.	PART NO.	DESCRIPTION
1123	◆◆699725	Seal-O Ring (Solenoid Retainer) (Used After Code Date 04080300). ----- <b>Note</b> ----- 690987 Seal-O Ring (Solenoid Retainer) (Used Before Code Date 04080400).	1124	690988	Seal-O Ring (Fuel Transfer Tube)	1169A	693140	Screw (Carburetor Cover Plate)
			1126	690991	Screw (Fuel Transfer Tube)	1330	273521	Repair Manual
			1127	690992	Screw (Float Bowl)	1342	699731	Extension-Fuel Transfer Tube (Used After Code Date 04080300).
			1128	690990	Screw (Carburetor Nozzle)	1353	699725	Seal-O Ring (Fuel Transfer Tube Extension)
			1146	690718	Screw (Choke Shaft)			

★ Included in Engine Gasket Set-Ref. No.358.

● Included in Carburetor Overhaul Kit-Ref. No. 121.

◆ Included in Carburetor Gasket Set-Ref. No. 977.

△ Included in Valve Gasket Set-Ref. No 1095.

*Illustrations cover a range of engines. Parts shown without corresponding text may not be used on your specific engine.*