

Illustrated Parts List

Model Series

445500

TYPE NUMBERS
0485 through 0510.

TABLE OF CONTENTS

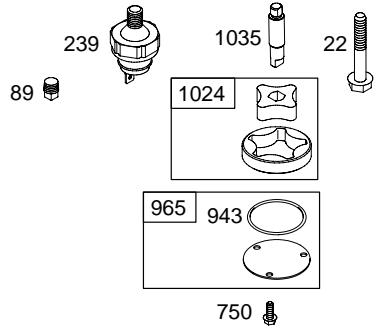
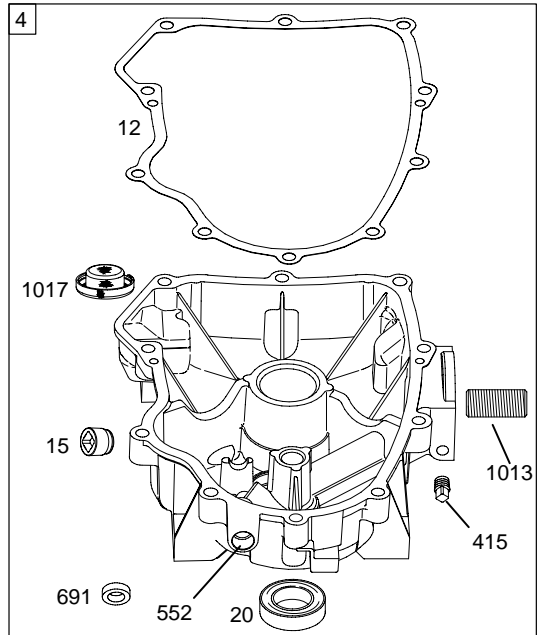
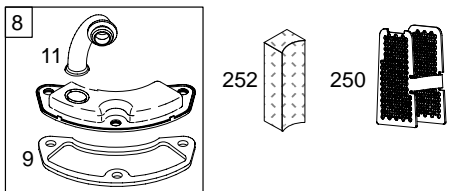
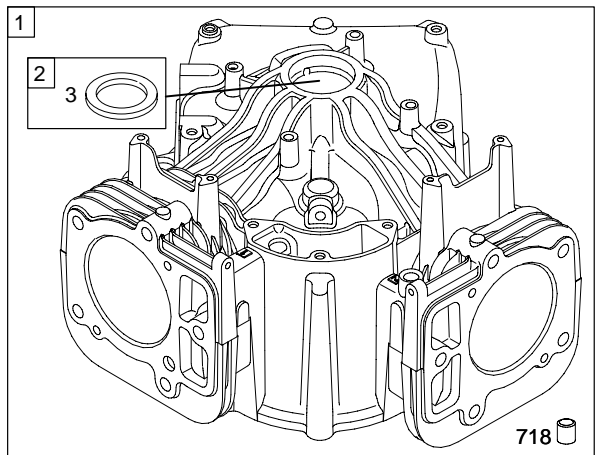
Air Cleaner	6
Alternators	8
Blower Housing/Shrouds	6
Camshaft	3
Carburetor	5
Controls	7
Crankcase Sump	2
Crankshaft	3
Cylinder	2
Cylinder Head	4
Electric Starter	7
Exhaust System	5
Flywheel	7
Ignition	8
Kit/Gasket Set – Carburetor	5
Kit/Gasket Set – Engine	2
Kit/Gasket Set – Valve	4
Lubrication	3
Piston, Rings, Connecting Rod	3
Valves	4



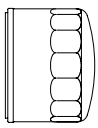
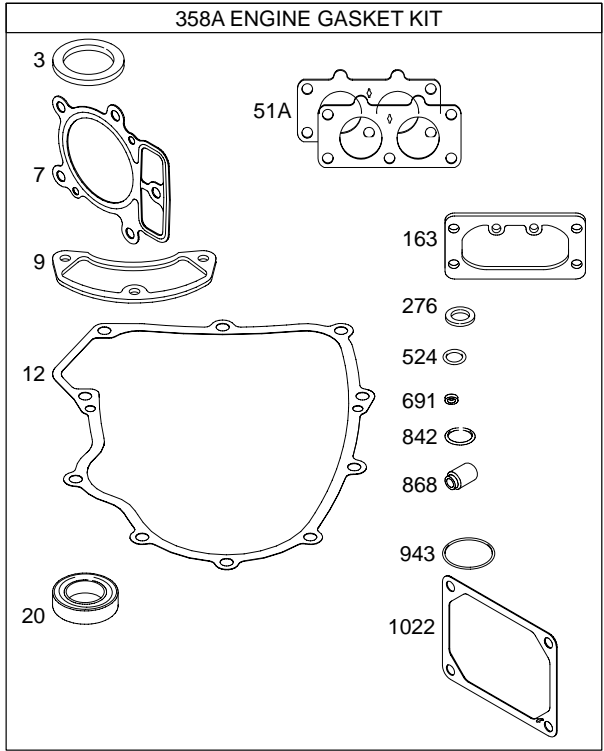
PRINTED IN U.S.A.

COPYRIGHT by BRIGGS & STRATTON CORPORATION
 All rights reserved. No part of this material may be reproduced or transmitted,
 in any form or by any means, electronic or mechanical, including photocopying,
 recording or by any information storage and retrieval system, without permission
 in writing from Briggs & Stratton Corporation.

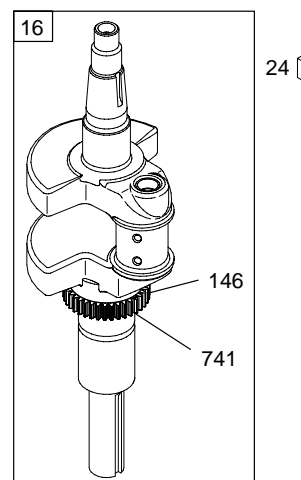
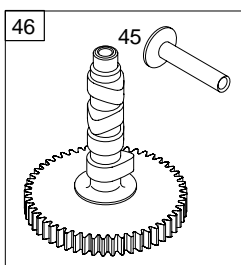
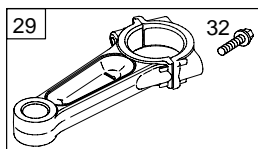
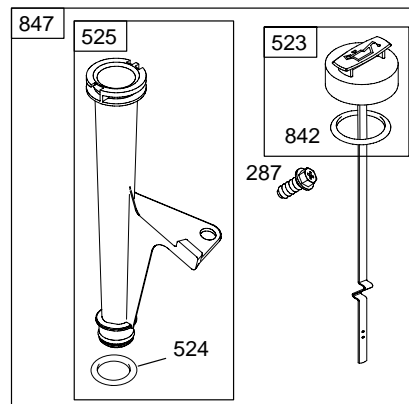
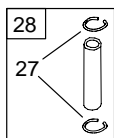
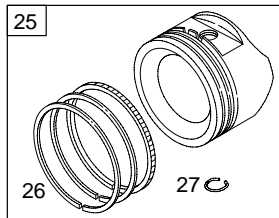
445500



- 1019 LABEL KIT
- 1058 OPERATOR'S MANUAL
- 1330 REPAIR MANUAL

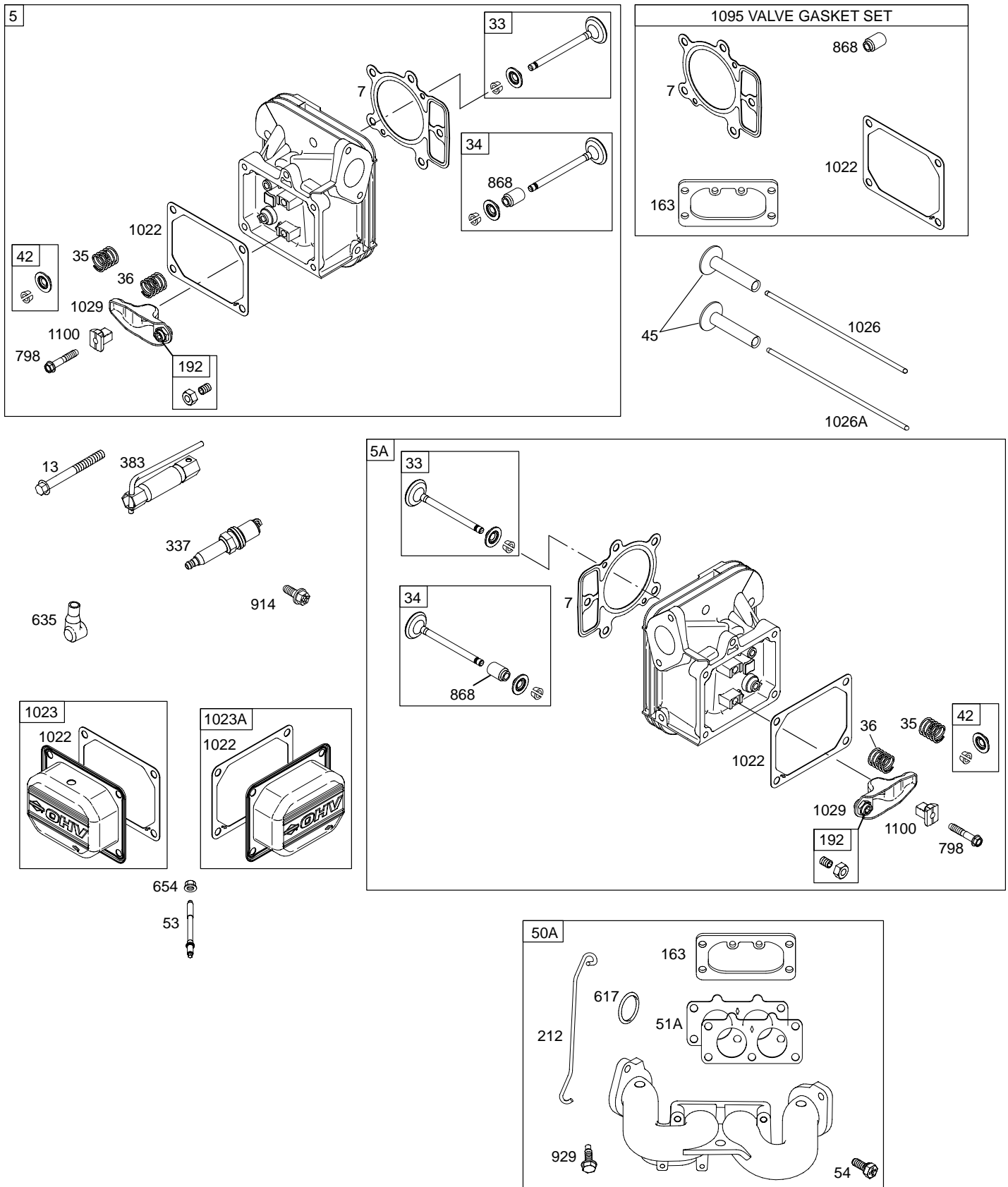


Illustrations cover a range of engines. Parts shown without corresponding text may not be used on your specific engine.
 3345-2 Assemblies include all parts shown in frames. 04/13/2005

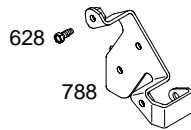
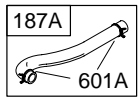
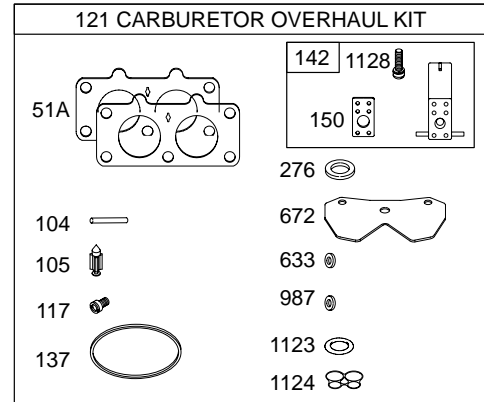
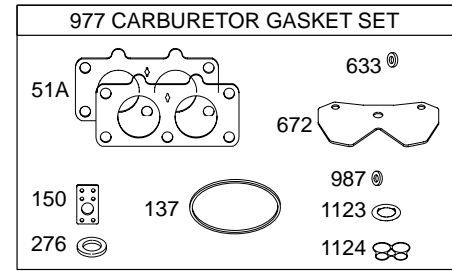
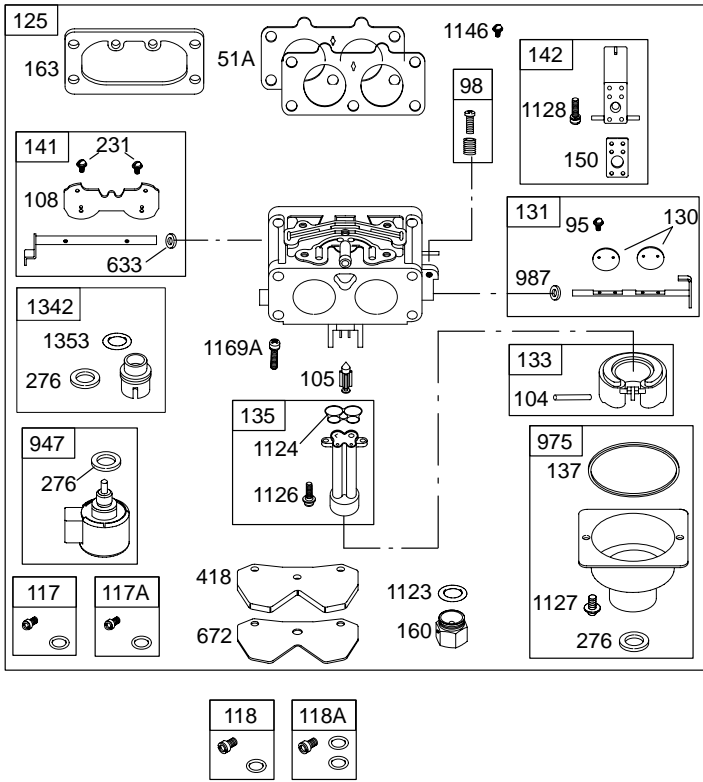


Illustrations cover a range of engines. Parts shown without corresponding text may not be used on your specific engine.
3345-3 Assemblies include all parts shown in frames. 04/13/2005

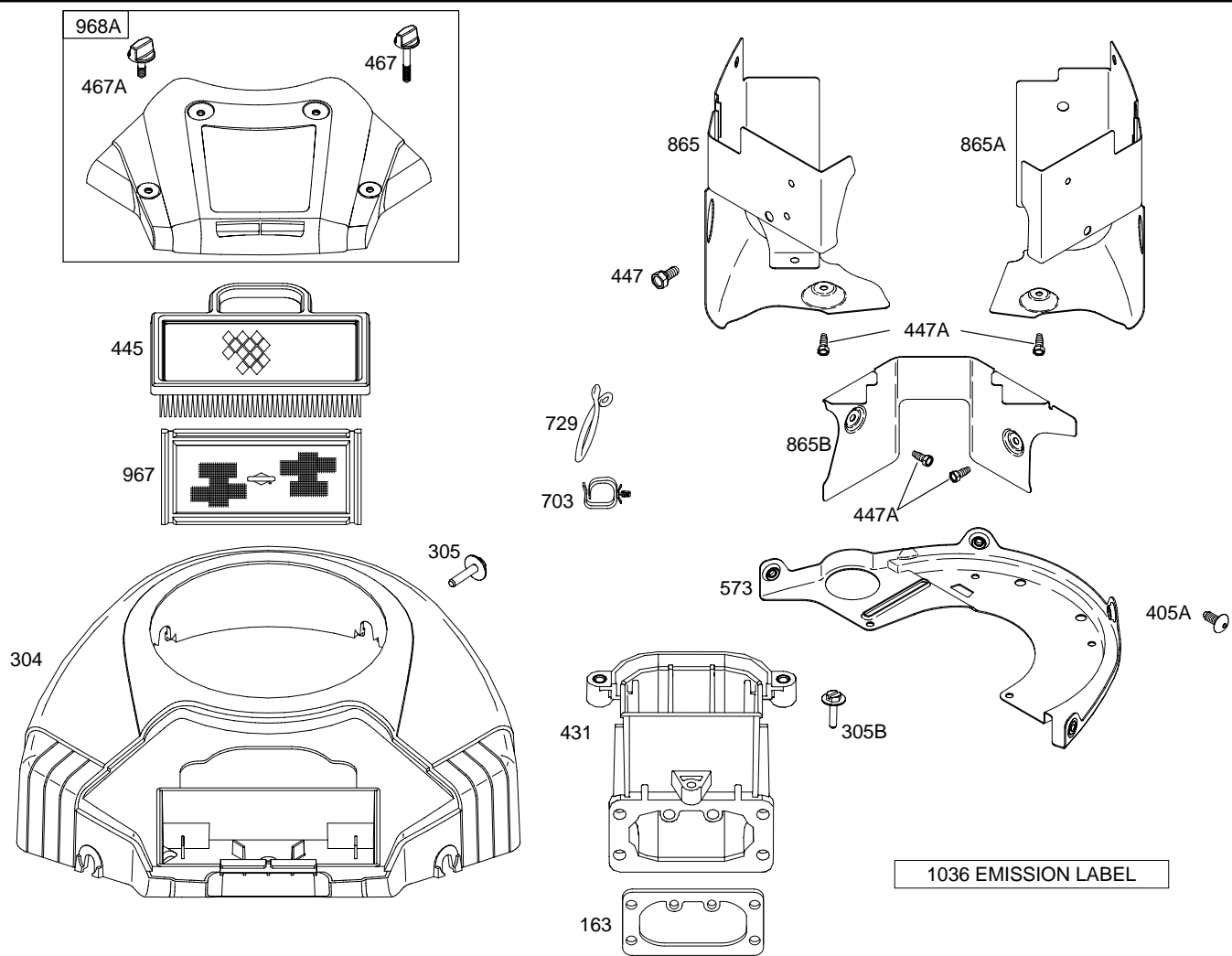
445500



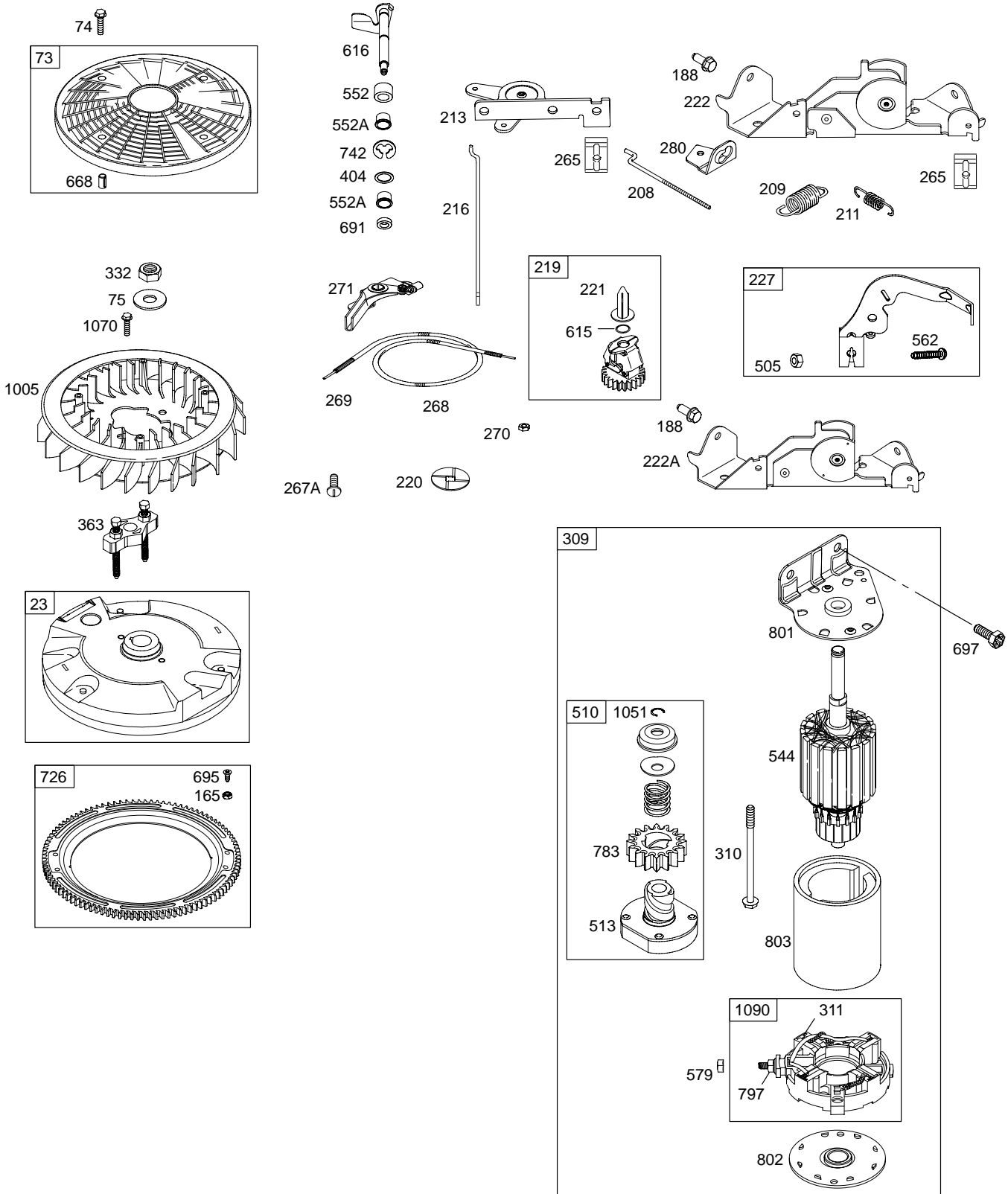
Illustrations cover a range of engines. Parts shown without corresponding text may not be used on your specific engine.
 3345-4 Assemblies include all parts shown in frames. 04/13/2005



445500



Illustrations cover a range of engines. Parts shown without corresponding text may not be used on your specific engine.
3345-6 Assemblies include all parts shown in frames. 04/13/2005



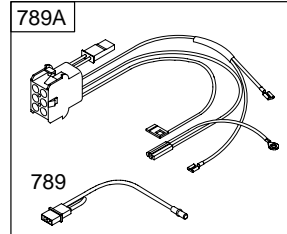
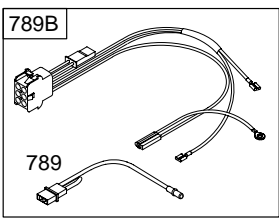
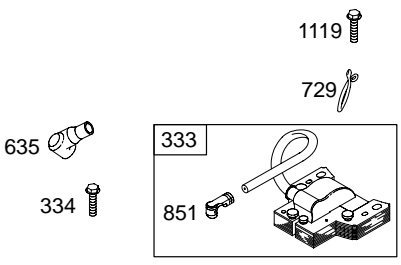
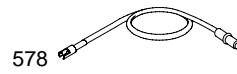
Illustrations cover a range of engines. Parts shown without corresponding text may not be used on your specific engine. 3345-7 Assemblies include all parts shown in frames. 04/13/2005

445500

DUAL CIRCUIT		10 - 16 AMP	
474B	1059	474D	1059
877		877C	
			578
			526 501

NOTE: All Stators Use a No. 1119 Mounting Screw.

NOTE: The proper flywheel part number and/or the alternator magnet size will determine the alternator type or output. See repair instruction manual for additional information.



445500

REF. NO.	PART NO.	DESCRIPTION	REF. NO.	PART NO.	DESCRIPTION	REF. NO.	PART NO.	DESCRIPTION
1	699753	Cylinder Assembly	27	690975	Lock-Piston Pin	118A	699458	Jet-Main
2	499585	Kit-Bushing/Seal (Magneto Side)	28	690229	Pin-Piston (Standard)			(High Altitude) (Right)(Nikki)
3	★391086	Seal-Oil (Magneto Side)	29	699699	Rod-Connecting	121	699734	Kit-Carburetor Overhaul
4	699747	Sump-Engine	32	690976	Screw (Connecting Rod)	125	699709	Carburetor
5	693998	Head-Cylinder (Cylinder 1)	33	499596	Valve-Exhaust	130	690993	Valve-Throttle
5A	693999	Head-Cylinder (Cylinder 2)	34	697464	Valve-Intake	131	499805	Kit-Throttle Shaft
7	★△693997	Gasket-Cylinder Head	35	690963	Spring-Valve (Intake)	133	699724	Float-Carburetor
8	499601	Breather Assembly	36	690963	Spring-Valve (Exhaust)	135	◆◆699729	Tube-Fuel Transfer
9	★690937	Gasket-Breather	42	499586	Keeper-Valve	137	◆◆690994	Gasket-Float Bowl
10	691108	Screw (Breather Assembly)	45	690977	Tappet-Valve	141	699722	Kit-Choke Shaft
11	690942	Tube-Breather	46	790562	Camshaft	142	◆◆699726	Nozzle-Carburetor (Standard)
12	★697227	Gasket-Crankcase	50A	695241	Manifold-Intake (Plastic)	146	690979	Key-Timing
13	791130	Screw (Cylinder Head)	51A★◆◆791677	Gasket-Intake	150	◆◆690995	Gasket-Nozzle	
15	690946	Plug-Oil Drain	53	690951	Stud (Carburetor)	160	699727	Retainer-Solenoid
16	699700	Crankshaft	54	695239	Screw (Intake Manifold) (Used With Plastic Intake Manifold)	163	★△691001	Gasket-Air Cleaner
20	★690947	Seal-Oil (PTO Side)	73	494439	Screen-Rotating	165	693148	Nut (Ring Gear)
22	694966	Screw (Crankcase Cover/Sump)	74	698425	Screw (Rotating Screen)	187A	691049	Line-Fuel (Molded)
23	691054	Flywheel ----- Note ----- 691053 Flywheel Used on Type No(s). 0510.	75	691056	Washer (Flywheel)	188	691108	Screw (Control Bracket)
24	222698	Key-Flywheel	89	690283	Plug-Oil	192	690083	Adjuster-Rocker Arm
25	694003	Piston Assembly (Standard) ----- Note ----- 694007 Piston Assembly (.020" Oversize)	95	690718	Screw (Throttle Valve)	208	690566	Rod-Governor Control
26	694004	Ring Set (Standard) ----- Note ----- 694008 Ring Set (.020" Oversize)	98	699721	Kit-Idle Speed	209	697674	Spring-Governor (Brown)
			104	◆◆694918	Pin-Float Hinge	211	691019	Spring-Governed Idle
			105	◆◆698537	Valve-Float Needle	212	695238	Link-Throttle (Used With Plastic Intake Manifold)
			108	699723	Valve-Choke	213	691021	Bracket-Choke Control
			117	699732	Jet-Main (Standard) (Left)(Nikki)	216	691022	Link-Choke
			117A	699733	Jet-Main (Standard) (Right)(Nikki)	219	698231	Gear-Governor
			118	790890	Jet-Main (High Altitude) (Left)(Nikki)	220	690412	Washer (Governor Gear)
						221	841026	Cup-Governor
						222	698761	Bracket-Control Used on Type No(s). 0485.
						222A	698757	Bracket-Control
						227	691048	Lever-Governor Control

★ Included in Engine Gasket Set-Ref. No.358.

● Included in Carburetor Overhaul Kit-Ref. No. 121.

◆ Included in Carburetor Gasket Set-Ref. No. 977.

△ Included in Valve Gasket Set-Ref. No 1095.

Illustrations cover a range of engines. Parts shown without corresponding text may not be used on your specific engine.

3345-9

Assemblies include all parts shown in frames.

4/13/2005

445500

REF. NO.	PART NO.	DESCRIPTION	REF. NO.	PART NO.	DESCRIPTION	REF. NO.	PART NO.	DESCRIPTION
231	690718	Screw (Choke Valve)	383	19374	Wrench-Spark Plug	552	690552	Bushing-Governor Crank
239	491657	Switch-Oil Pressure	385	691108	Screw (Fuel Pump)	552A	690553	Bushing-Governor Crank
240	691035	Filter-Fuel	387	808656	Pump-Fuel	562	690311	Bolt (Governor Control Lever)
250	690957	Retainer-Breather	404	690442	Washer (Governor Crank)	573	790444	Plate-Back
252	690956	Collector-Oil	405A	697820	Screw (Back Plate) (Mounting)	578	691208	Wire Assembly
265	691024	Clamp-Casing	415	690283	Plug (Sump)	579	691029	Nut (Starter Cable)
267A	695134	Screw (Casing Clamp)	418	690999	Plate-Carburetor	601A	691038	Clamp-Hose (Black)
268	691025	Casing-Control Wire (Cut To Required Length)	431	790816	Elbow-Intake	615	698290	Retainer-Governor Shaft
269	691026	Wire-Control (Cut To Required Length)	445	499486	Filter-Air Cleaner Cartridge	616	691045	Crank-Governor
270	691027	Nut (Control Wire Casing)	447	691003	Screw (Air Guide Cover)	617	697891	Seal-O Ring (Intake Manifold)(Used With Plastic Intake Manifold)
271	691028	Lever-Control	447A	691108	Screw (Air Guide Cover)	628	691108	Screw (Fuel Pump Bracket)
276★◆	690997	Washer-Sealing	467	691008	Knob-Air Cleaner	633	◆690998	Seal-Choke/Throttle Shaft
280	691526	Bracket-Rod	467A	790697	Knob-Air Cleaner	635	66538	Boot-Spark Plug
287	691108	Screw (Dipstick Tube)	474B	696459	Alternator (Dual Circuit)	654	690958	Nut (Carburetor)
304	790688	Housing-Blower (Black)	474D	696458	Alternator (10 Amp Circuit) Used on Type No(s). 0510.	668	691215	Spacer
305	691005	Screw (Blower Housing)	501	691185	Regulator (10-16 Amp Regulated) Used on Type No(s). 0510.	672	◆690234	Gasket-Carburetor Plate
305B	790690	Screw (Blower Housing to Intake Elbow)	505	691029	Nut (Governor Control Lever)	691	★690657	Seal-Governor Shaft
309	497401	Motor-Starter	510	696541	Drive-Starter	695	693149	Screw (Ring Gear)
310	691263	Screw (Starter Motor)	513	692024	Clutch-Drive	697	690372	Screw (Drive Cap)
311	497608	Brush Set	523	691036	Dipstick	703	691010	Clip
332	691059	Nut (Flywheel)	524	★691032	Seal-Dipstick Tube	718	690959	Pin-Locating
333	691060	Armature-Magneto	525	691037	Tube-Dipstick	726	499612	Gear-Ring
334	691061	Screw (Magneto Armature)	526	691108	Screw (Regulator)(10-16 Amp Regulated) Used on Type No(s). 0510.	729	694123	Clip-Wire
337	491055	Plug-Spark ----- Note ----- 691043 Plug-Spark Used on Type No(s). 0504,0510.	544		Armature-Starter (Service With 497401 Starter Motor)	741	690980	Gear-Timing
358A	694012	Gasket Set-Engine				742	690328	Retainer-E Ring
363	19203	Puller-Flywheel				750	696999	Screw (Oil Pump Cover)
						783	695708	Gear-Pinion
						788	691039	Bracket-Fuel Pump
						789	790544	Harness-Wiring

★ Included in Engine Gasket Set-Ref. No.358.

● Included in Carburetor Overhaul Kit-Ref. No. 121.

◆ Included in Carburetor Gasket Set-Ref. No. 977.

△ Included in Valve Gasket Set-Ref. No 1095.

Illustrations cover a range of engines. Parts shown without corresponding text may not be used on your specific engine.

445500

REF. NO.	PART NO.	DESCRIPTION	REF. NO.	PART NO.	DESCRIPTION	REF. NO.	PART NO.	DESCRIPTION
789A	698330	Harness–Wiring (6 Pin Customer Conversion) Used on Type No(s). 0485.	914	691127	Screw (Rocker Cover)	1051	691265	Ring–Retaining
789B	696576	Harness–Wiring	918	694000	Hose–Vacuum	1058	276245	Operator’s Manual (Emission)
797	693167	Nut (Brush Retainer)	929	695239	Screw (Choke Control Bracket) (Used With Plastic Intake Manifold)	1059	698516	Kit–Screw/Washer
798	697890	Screw (Rocker Arm)	943	*690589	Seal–O Ring (Oil Pump Cover)	1070	691058	Screw (Flywheel Fan)
801	691283	Cap–Drive	947	699728	Solenoid–Fuel	1090	691293	Retainer–Brush
802	691286	Cap–End	965	499613	Cover–Oil Pump	1095	694013	Gasket Set–Valve
803		Housing–Starter (Service With 497401 Starter Motor)	967	273638	Filter–Pre Cleaner	1100	690973	Pivot–Rocker Arm
842	*691031	Seal–O Ring (Dipstick Tube)	968A	790689	Cover–Air Cleaner	1119	691183	Screw (Alternator)
847	499602	Dipstick/Tube Assembly	975	499810	Bowl–Float	1123	◆699725	Seal–O Ring (Solenoid Retainer)
851	493880	Terminal–Spark Plug	977	699735	Gasket Set–Carburetor	1124	690988	Seal–O Ring (Fuel Transfer Tube)
865	691012	Cover–Air Guide (Cylinder 1)	987	◆691000	Seal–Throttle Shaft	1126	690991	Screw (Fuel Transfer Tube)
865A	691014	Cover–Air Guide (Cylinder 2)	1005	790698	Fan–Flywheel	1127	690992	Screw (Float Bowl)
865B	691015	Cover–Air Guide (Valley)	1013	690954	Nipple–Oil Filter	1128	690990	Screw (Carburetor Nozzle)
868	△690968	Seal–Valve	1017	690770	Screen–Oil Pump	1146	690718	Screw (Choke Shaft)
877	393456	Wire/Connector– Alternator (Dual Circuit)	1019	693995	Kit–Label	1169A	693140	Screw (Carburetor Cover Plate)
877C	399916	Wire/Connector– Alternator (10 Amp Circuit) Used on Type No(s). 0510.	1022	*△690971	Gasket–Rocker Cover	1330	273521	Repair Manual
			1023	499599	Cover–Rocker (Cylinder 1)	1342	699731	Extension–Fuel Transfer Tube
			1023A	499600	Cover–Rocker (Cylinder 2)	1353	699725	Seal–O Ring (Fuel Transfer Tube Extension)
			1024	499054	Pump–Oil			
			1026	690981	Rod–Push (Steel)			
			1026A	690982	Rod–Push (Aluminum)			
			1027	492932	Filter–Oil			
			1029	690972	Arm–Rocker			
			1035	691042	Shaft–Pump			
			1036	790626	Label–Emissions			

★ Included in Engine Gasket Set–Ref. No.358.

● Included in Carburetor Overhaul Kit–Ref. No. 121.

◆ Included in Carburetor Gasket Set–Ref. No. 977.

△ Included in Valve Gasket Set–Ref. No 1095.

Illustrations cover a range of engines. Parts shown without corresponding text may not be used on your specific engine.