

42D700

Illustrated Parts List

Model Series

42D700

TYPE NUMBERS
1231 through 2298.

For Use On Engines Built Before Date Code – 02050900

TABLE OF CONTENTS

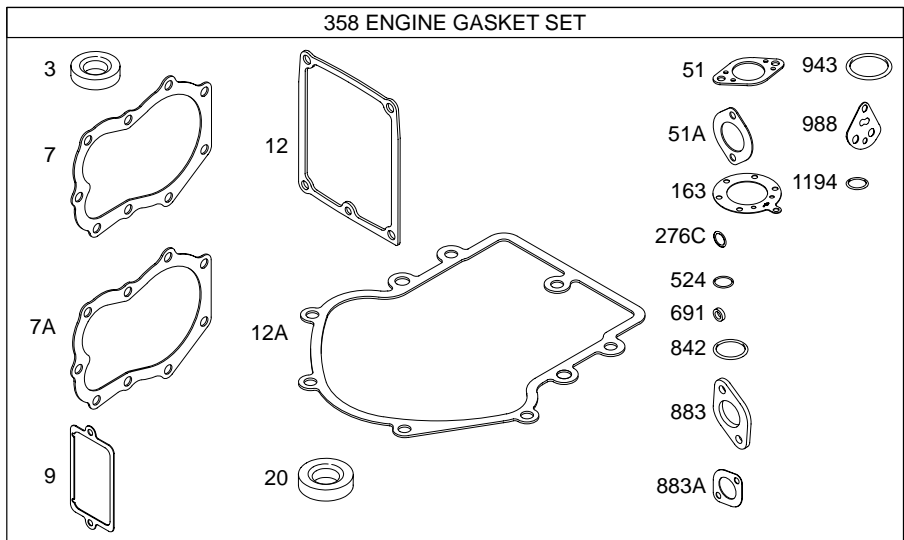
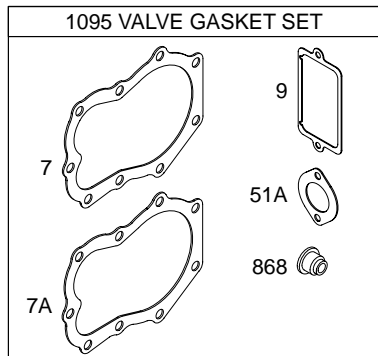
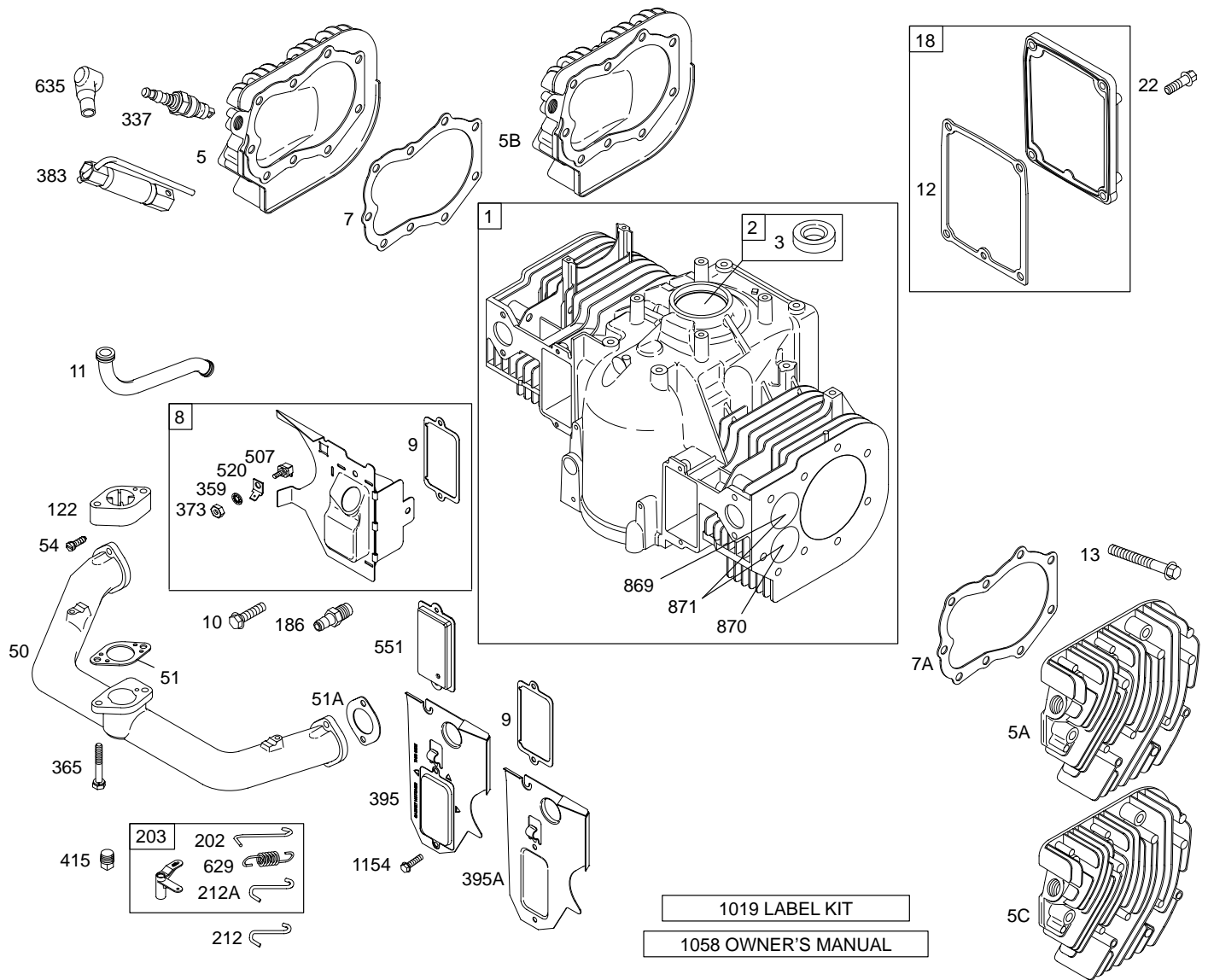
Air Cleaner	9
Alternator	8
Blower Housing/Shrouds	10
Cam	3
Carburetor	6
Carburetor	7
Controls	8
Crankcase Cover/Cylinder	2
Crankshaft	3
Electric Starter	12
Flywheel	11
Head	2
Kit/Gasket Sets – Carburetor	6
Kit/Gasket Sets – Engine	2
Kit/Gasket Sets – Fuel Pump	6
Kit/Gasket Sets – Valve	2
Muffler	9
Oil	4
Piston	3
Sump	5
Valves	3



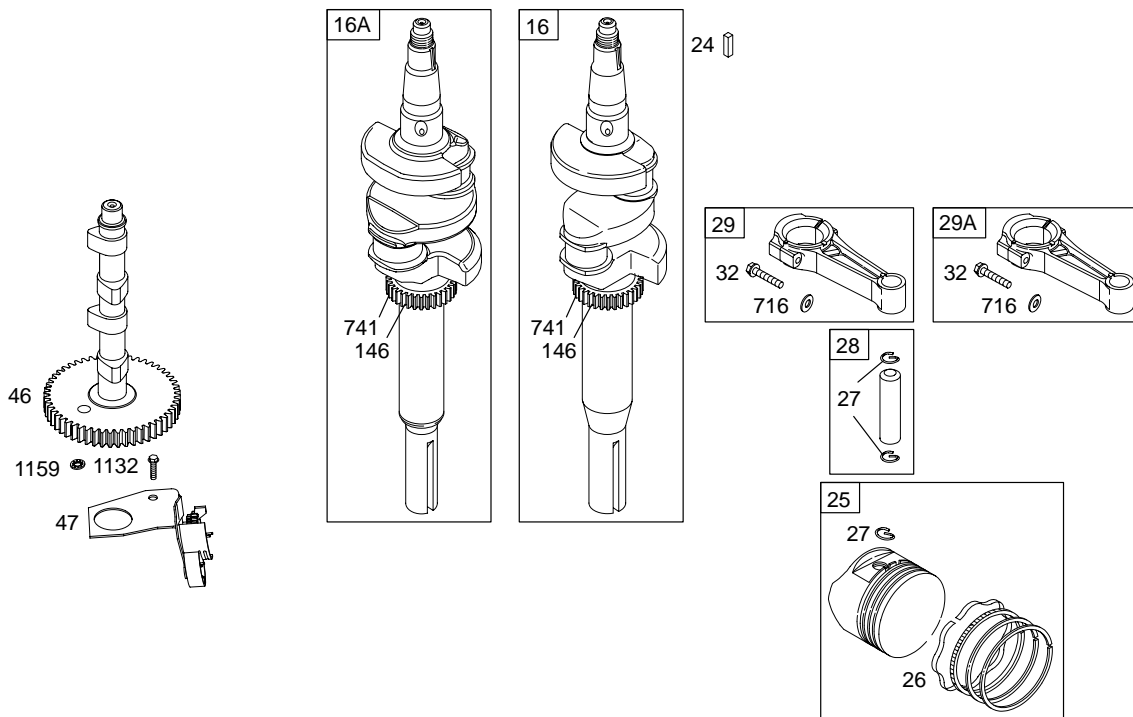
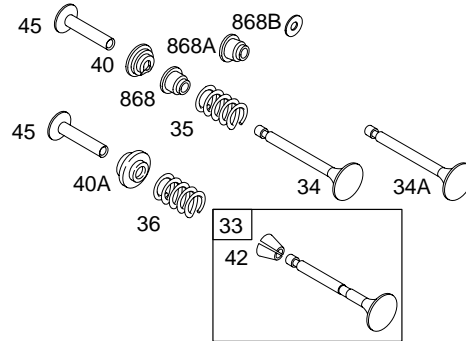
PRINTED IN U.S.A.

COPYRIGHT by BRIGGS & STRATTON CORPORATION
 All rights reserved. No part of this material may be reproduced or transmitted, in any form or by any means, electronic or mechanical, including photocopying, recording or by any information storage and retrieval system, without permission in writing from Briggs & Stratton Corporation.

42D700

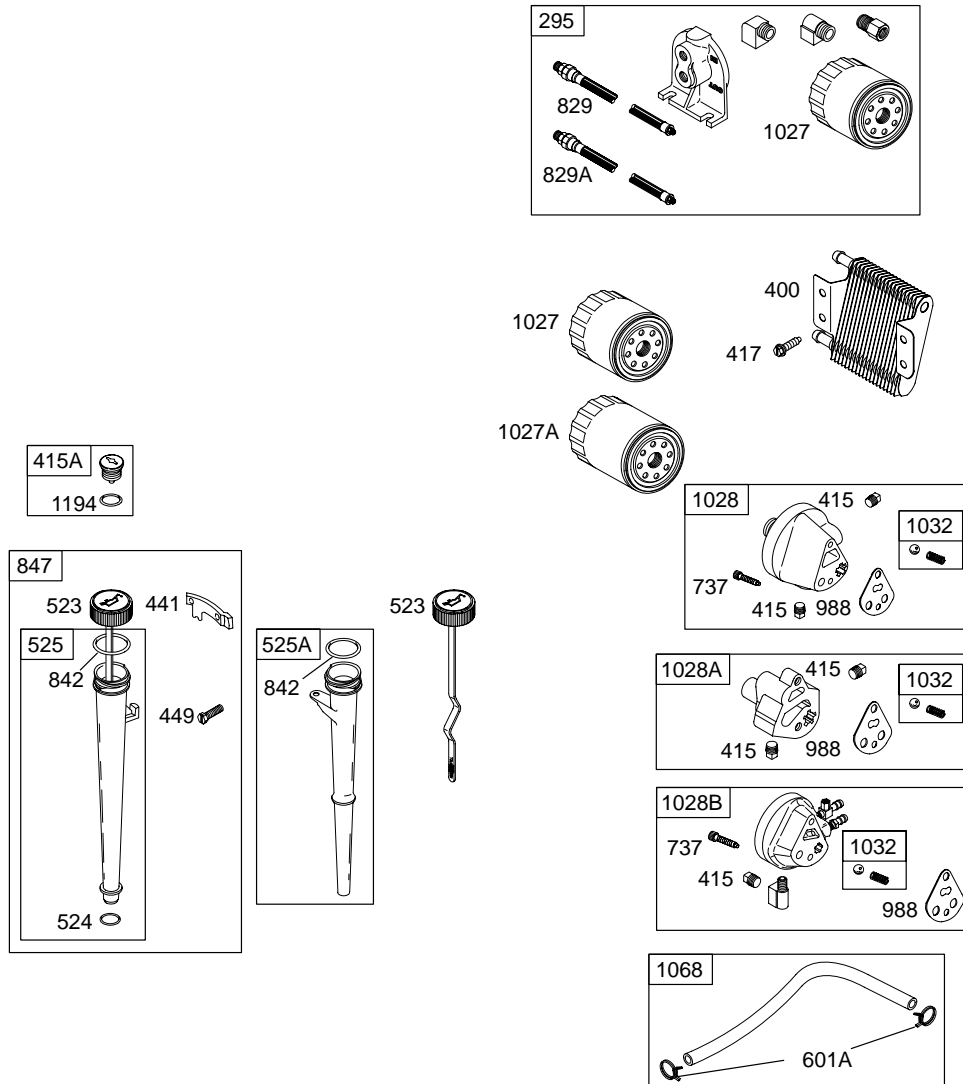


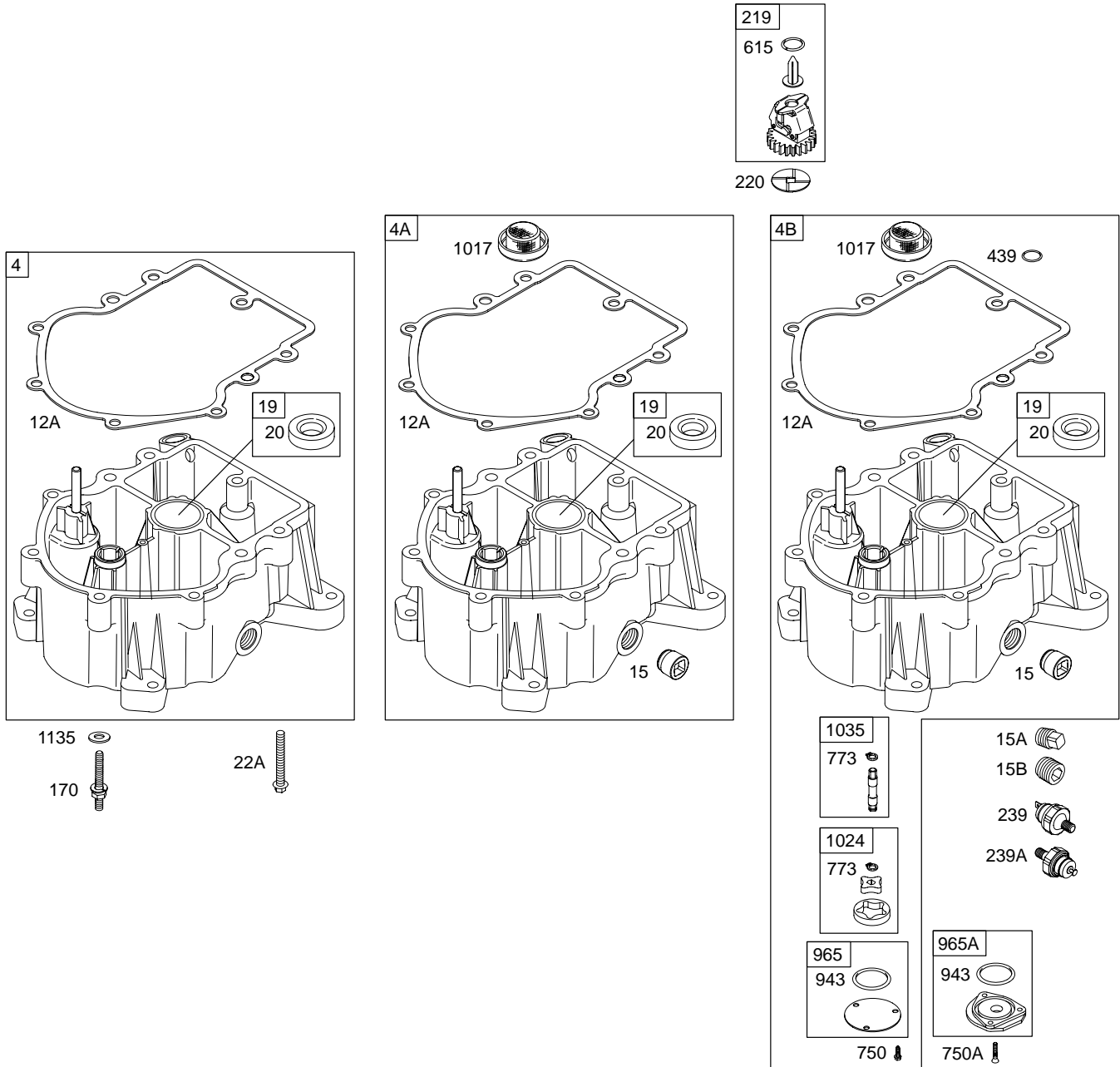
Illustrations cover a range of engines. Parts shown without corresponding text may not be used on your specific engine.
 0992-2 Assemblies include all parts shown in frames. 5C-6/2002



Illustrations cover a range of engines. Parts shown without corresponding text may not be used on your specific engine.
 0992-3 Assemblies include all parts shown in frames. 5C-6/2002

42D700

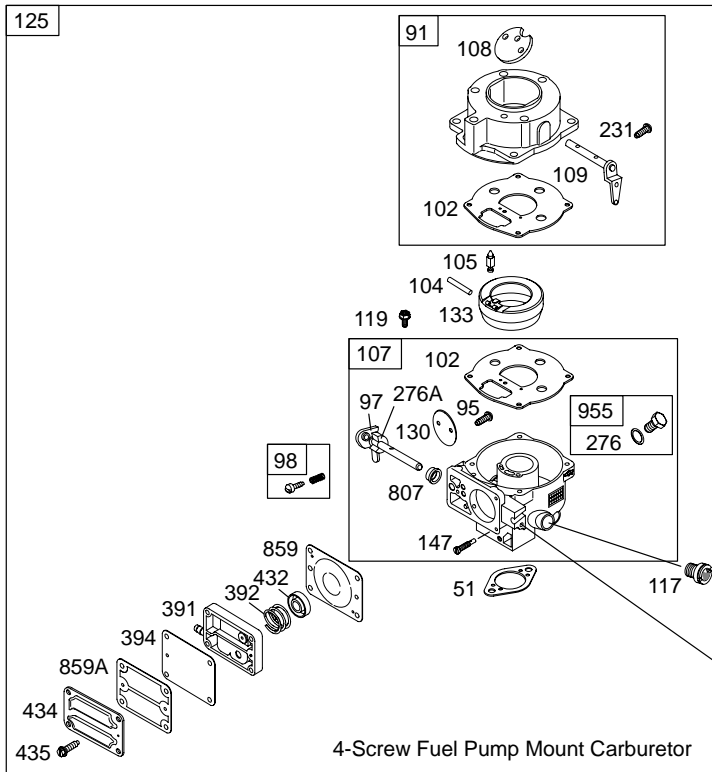




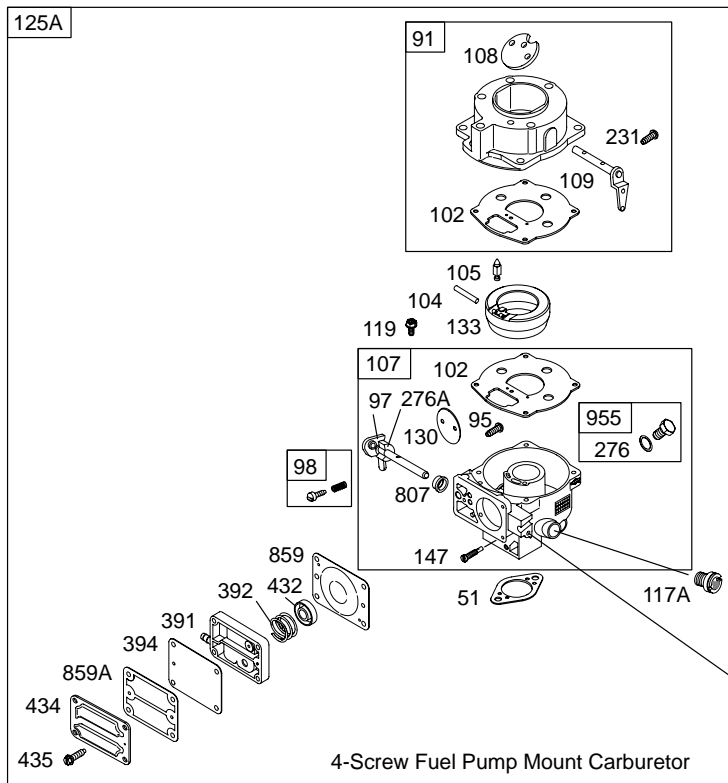
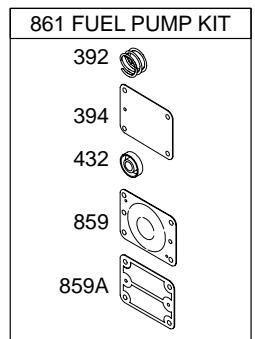
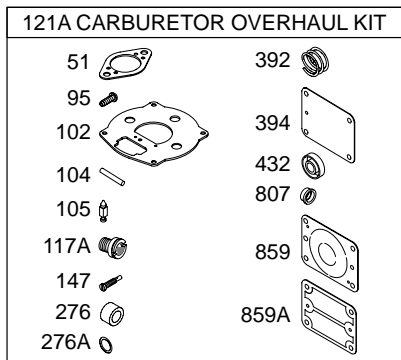
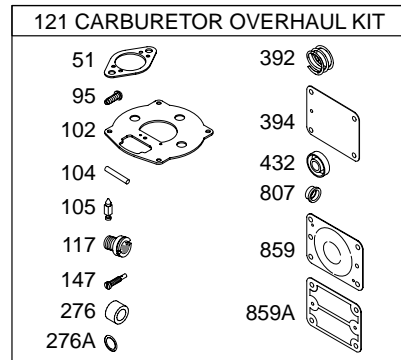
Illustrations cover a range of engines. Parts shown without corresponding text may not be used on your specific engine.
 0992-5 Assemblies include all parts shown in frames. 5C-6/2002

42D700

SEE ADDITIONAL PAGES FOR MORE CARBURETOR INFORMATION

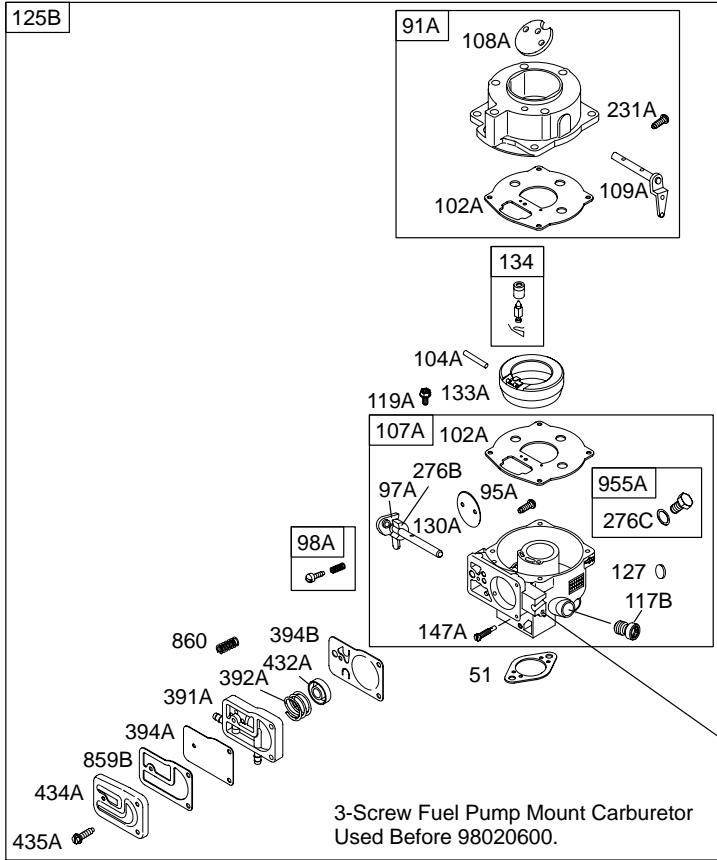


- Model 4607**
- Model 4617**
- Model 4627**
- Model 4637**



- Model 42A7**
- Model 42B7**
- Model 42D7**
- Model 42E7**
- Model 4227**

Illustrations cover a range of engines. Parts shown without corresponding text may not be used on your specific engine.
 0992-6 Assemblies include all parts shown in frames. 5C-6/2002



Model 42A7

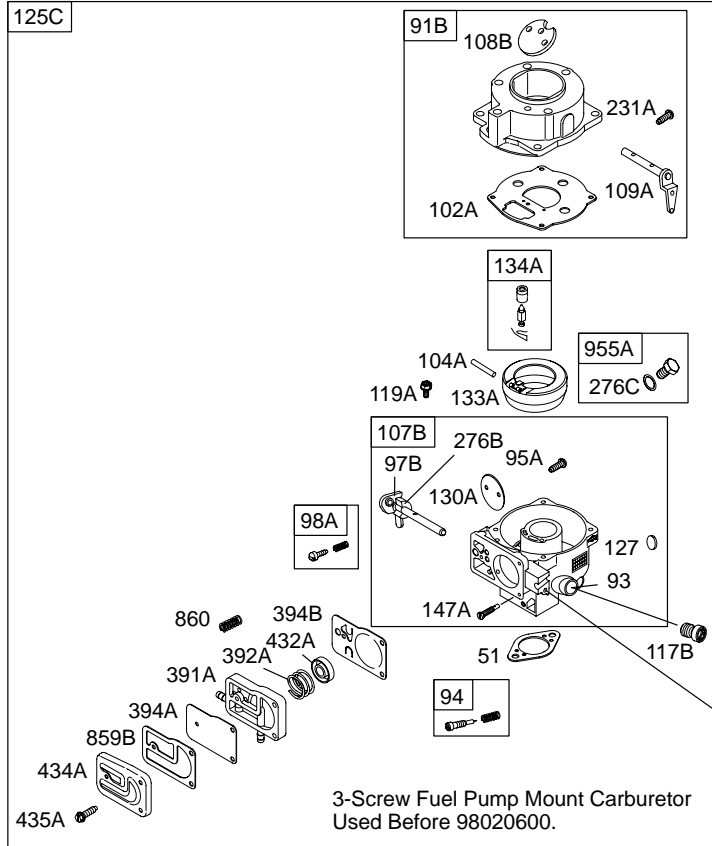
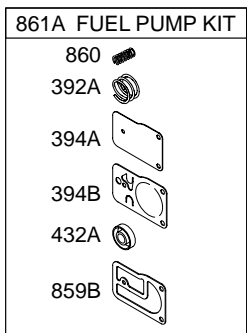
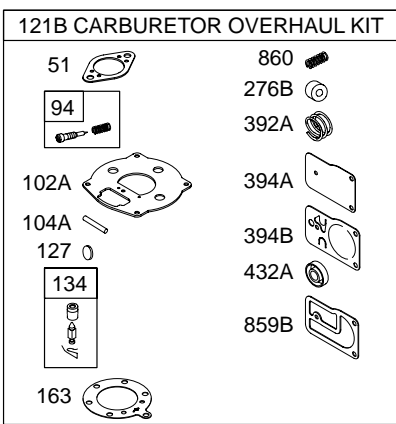
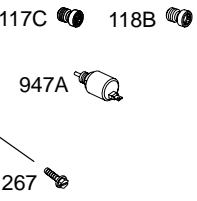
Model 42B7

Model 42D7

Model 42E7

Model 4227

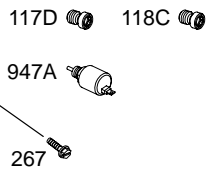
3-Screw Fuel Pump
Mount Carburetor
Used Before 98020600.



Model 4607

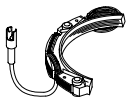
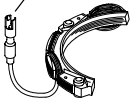





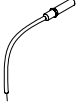
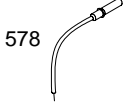

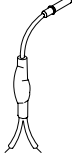
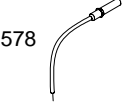
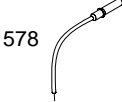
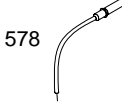


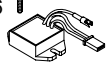

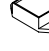
Model 4617

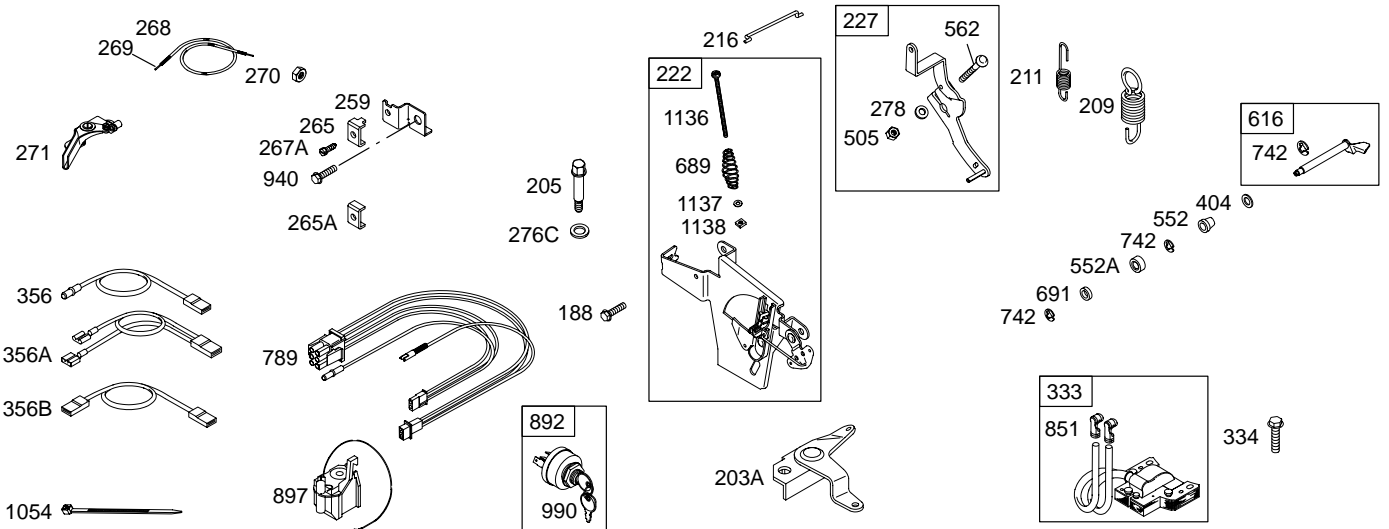
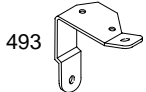
3-Screw Fuel Pump
Mount Carburetor
Used Before 98020600.



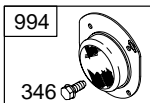
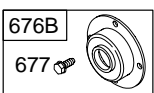
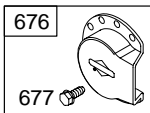
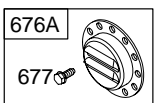
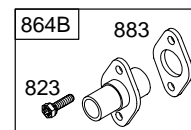
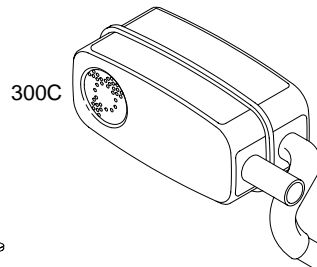
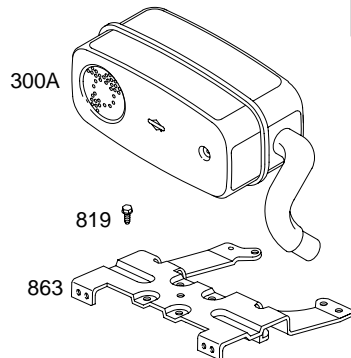
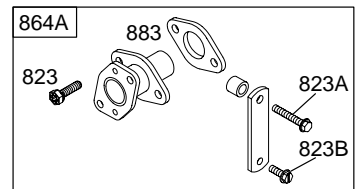
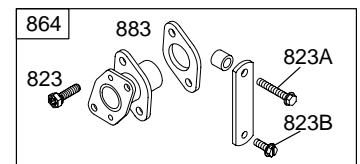
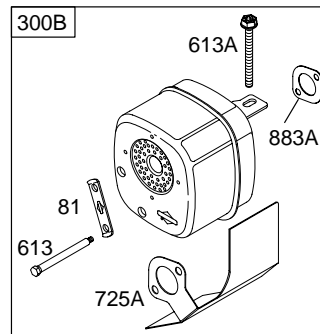
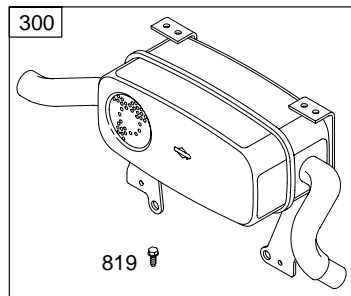
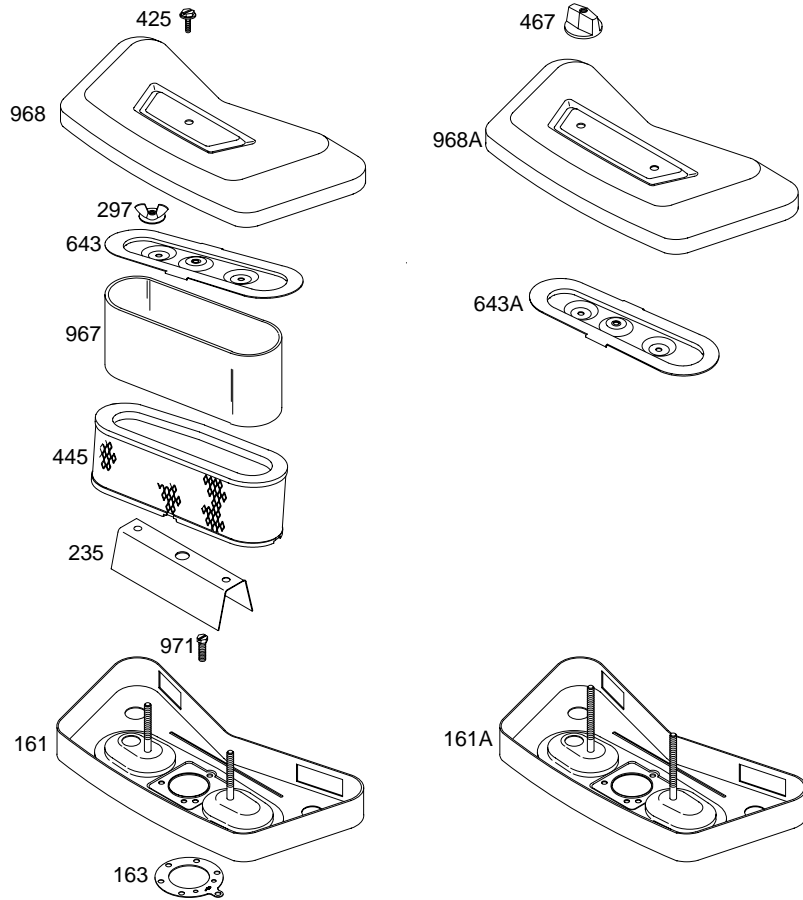
Illustrations cover a range of engines. Parts shown without corresponding text may not be used on your specific engine.
0992-7 Assemblies include all parts shown in frames. 5C-6/2002

42D700

AC ONLY	DC ONLY	DUAL CIRCUIT	TRI CIRCUIT	9 AMP	10 AMP	16 AMP
474	474A	474B	474C	474C	474D	474D
	877A 	877 	877B 	877B 	877C 	877C 
578 	578 	878 	878A 	578 	578 	578 
<p>NOTE: All Stators Use a No. 1119 Mounting Screw. </p> <p>NOTE: The proper flywheel part number and/or the alternator magnet size will determine the alternator type or output. See repair instruction manual for additional information.</p>				526A  501A 	526  501 	

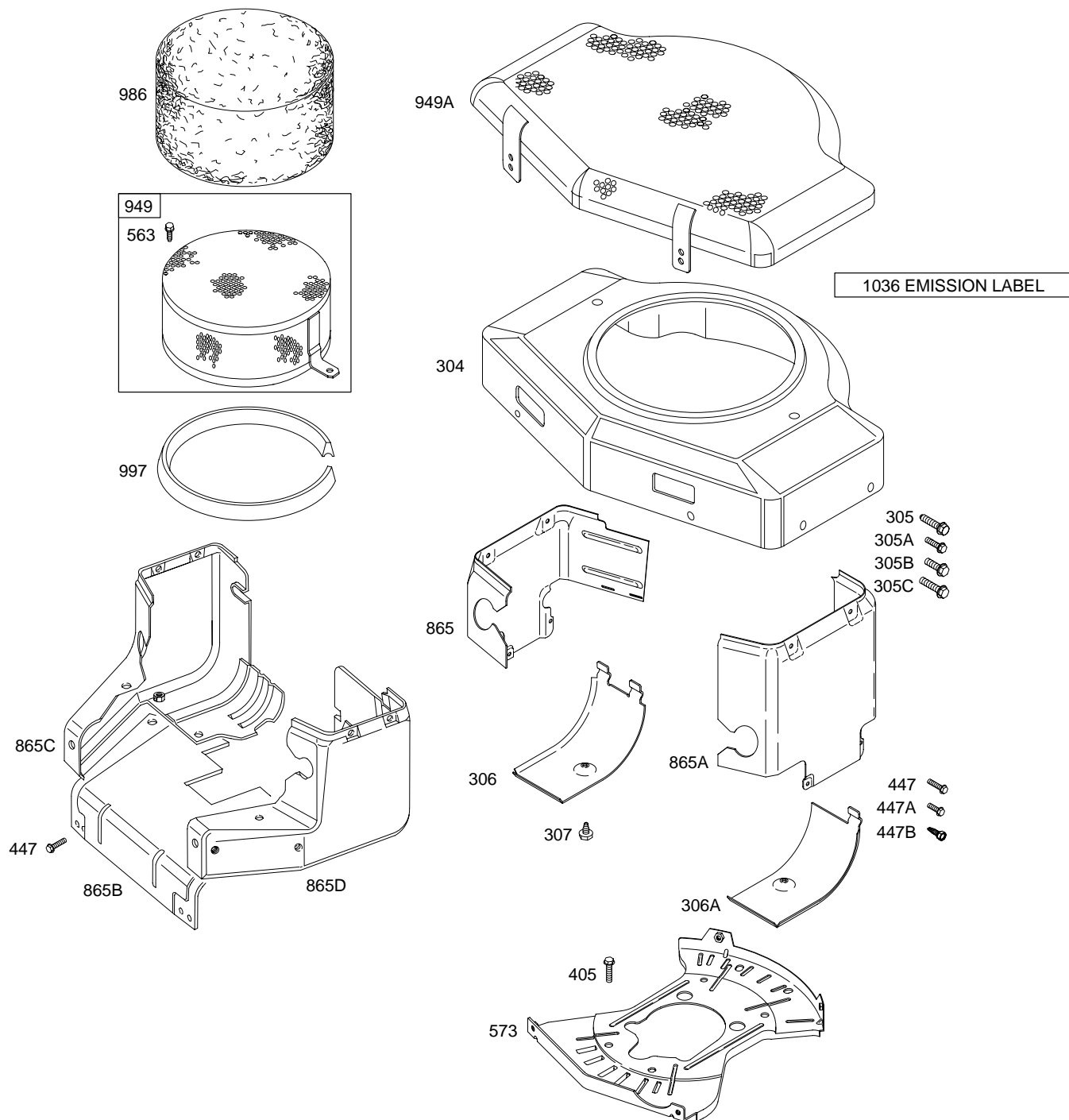


Illustrations cover a range of engines. Parts shown without corresponding text may not be used on your specific engine.
 0992-8 Assemblies include all parts shown in frames. 5C-6/2002

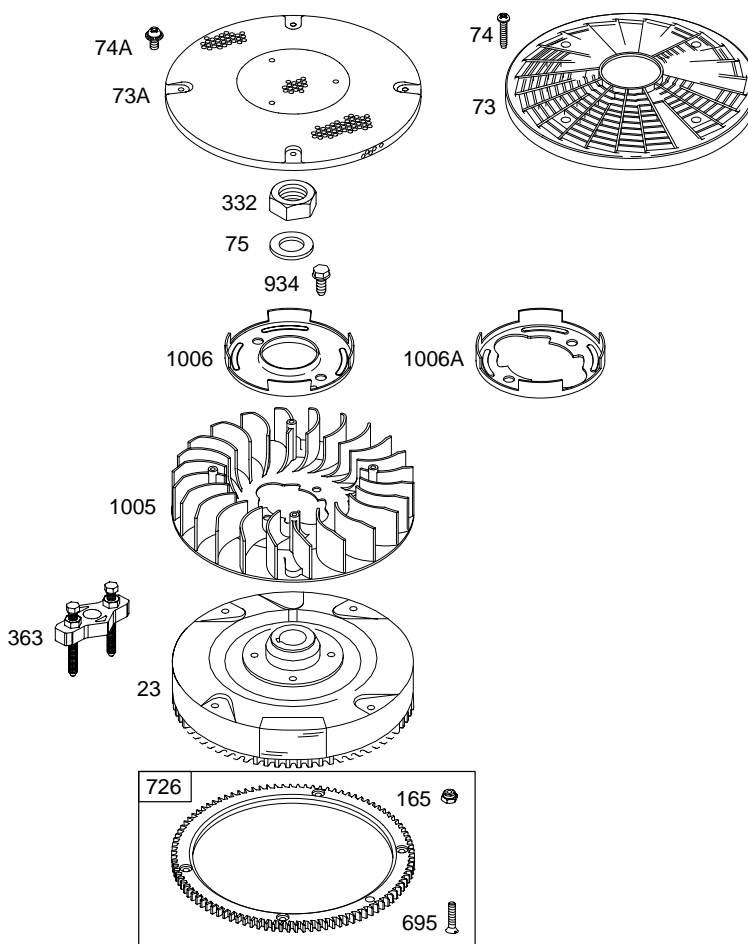


Illustrations cover a range of engines. Parts shown without corresponding text may not be used on your specific engine.
 0992-9 Assemblies include all parts shown in frames. 5C-6/2002

42D700



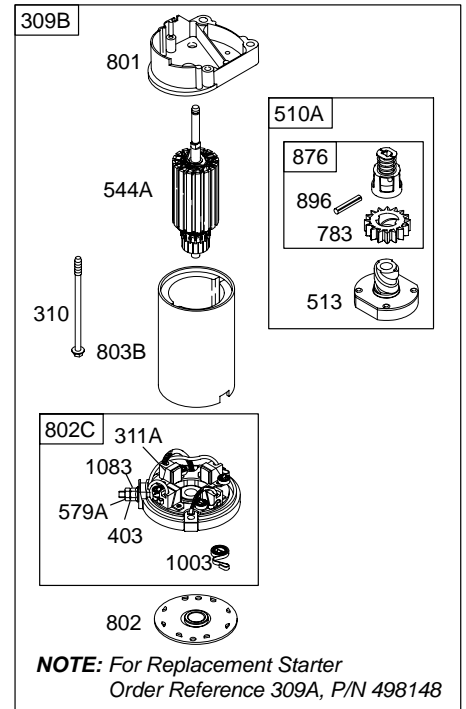
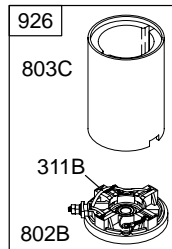
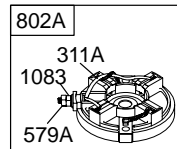
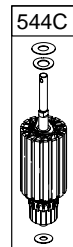
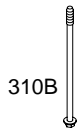
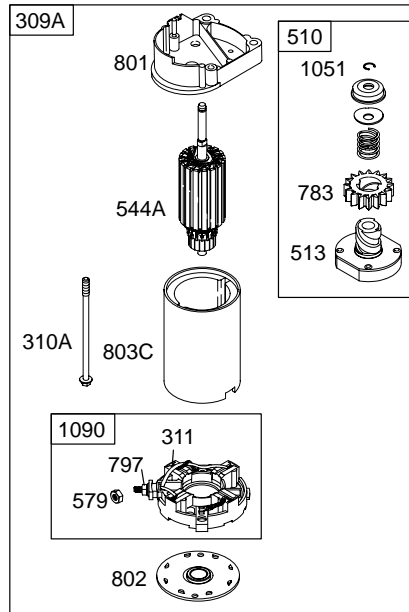
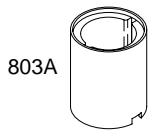
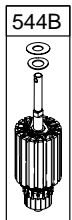
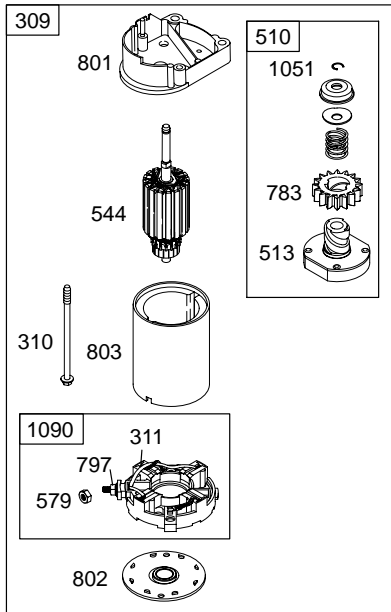
Illustrations cover a range of engines. Parts shown without corresponding text may not be used on your specific engine.
0992-10 Assemblies include all parts shown in frames. 5C-6/2002



0992-11 *Illustrations cover a range of engines. Parts shown without corresponding text may not be used on your specific engine.* Assemblies include all parts shown in frames. 5C-6/2002

42D700

697 



Illustrations cover a range of engines. Parts shown without corresponding text may not be used on your specific engine.
0992-12 Assemblies include all parts shown in frames. 5C-6/2002

REF. NO.	PART NO.	DESCRIPTION	REF. NO.	PART NO.	DESCRIPTION	REF. NO.	PART NO.	DESCRIPTION		
1	498583	Cylinder Assembly	13	691651	Screw (Cylinder Head)	26	394959	Ring Set (Standard)		
2	399265	Kit-Bushing/Seal (Magneto Side)	15	691680	Plug-Oil Drain (1/2" Square Flush)	———— Note ———		394960	Ring Set (.010" Oversize)	
3	★391086	Seal-Oil (Magneto Side)	15A	690946	Plug-Oil Drain (3/8" Standard)			394961	Ring Set (.020" Oversize)	
4	493304	Sump-Engine (Splash Lube)	15B	690343	Plug-Oil Drain (1/4" Hex Flush)			394962	Ring Set (.030" Oversize)	
4A	692709	Sump-Engine (Pressure Lube) (Used After Code Date 98011100). Used on Type No(s). 1281, 1282, 1881, 2281, 2282.	16	690636	Crankshaft ———— Note ——— 690784 Crankshaft Used on Type No(s). 1281, 1282, 1881, 2281, 2282.	27	691299	Lock-Piston Pin (Used After Code Date 95101500). ———— Note ——— 691792 Lock-Piston Pin (Used Before Code Date 95101500).		
4B	692710	Sump-Engine (Pressure Lube) (Used Before Code Date 90111200). Used on Type No(s). 1281, 1282, 1881, 2281.	18	495901	Cover-Crankcase	28	498319	Pin-Piston (Standard) (Used After Code Date 95101400). ———— Note ——— 299691 Pin-Piston (Standard) (Used Before Code Date 95101500).		
5	493457	Head-Cylinder (Cylinder 1)	19	399264	Kit-Bushing/Seal (PTO Side)			29	394306	Rod-Connecting (Standard) ———— Note ——— 397158 Rod- Connecting (.020" Undersize)
5A	493458	Head-Cylinder (Cylinder 2)	20	★291675	Seal-Oil (PTO Side)					
7	★Ø271867	Gasket-Cylinder Head (Cylinder 1)	22	691104	Screw (Crankcase Cover/Sump)					
7A	★Ø271868	Gasket-Cylinder Head (Cylinder 2)	22A	693972	Screw (Crankcase Cover/Sump)					
8	495754	Breather Assembly	23	691976	Flywheel ———— Note ——— 690655 Flywheel Used on Type No(s). 1282, 1298, 2298.					
9	★Ø27803	Gasket-Breather	24	222698	Key-Flywheel					
10	690334	Screw (Breather Assembly)	25	498584	Piston Assembly (Standard) ———— Note ——— 498585 Piston Assembly (.010" Oversize) 498586 Piston Assembly (.020" Oversize) 498587 Piston Assembly (.030" Oversize)					
11	691899	Tube-Breather								
12	★692287	Gasket-Crankcase								
12A	★692292	Gasket-Crankcase (.015" Thick) (Standard) ———— Note ——— ★271188 Gasket- Crankcase (.005" Thick) ★271189 Gasket- Crankcase (.009" Thick)								

★ Included in Engine Gasket Set-Ref. No. 358.

● Included in Carburetor Overhaul Kit-Ref. No. 121.

■ Included in Carburetor Gasket Set-Ref. No. 977.

Ø Included in Valve Gasket Set-Ref. No. 1095.

Illustrations cover a range of engines. Parts shown without corresponding text may not be used on your specific engine.

42D700

REF. NO.	PART NO.	DESCRIPTION	REF. NO.	PART NO.	DESCRIPTION	REF. NO.	PART NO.	DESCRIPTION
32	691133	Screw (Connecting Rod)	93	690513	Bushing-Throttle Shaft	118A	693499	Jet-Main (High Altitude)
33	691794	Valve-Exhaust	94	●491538	Kit-Idle Mixture	118B	231333	Jet-Main (High Altitude)
34	691804	Valve-Intake	95	690718	Screw (Throttle Valve)	119	690720	Screw (Upper To Lower Carburetor Body)
35	691605	Spring-Valve (Intake)	95A	691437	Screw (Throttle Valve)	119A	691090	Screw (Upper To Lower Carburetor Body)
36	691597	Spring-Valve (Exhaust)	97	693485	Shaft-Throttle	121	693503	Kit-Carburetor Overhaul (Used On 4 Screw Fuel Pump Mount Carburetors)
40	690656	Retainer-Valve (Intake)	97A	691485	Shaft-Throttle	121A	694056	Kit-Carburetor Overhaul (Used On 3 Screw Fuel Pump Mount Carburetors)
40A	691939	Retainer-Valve (Exhaust)	97B	690629	Shaft-Throttle	122	691928	Spacer-Carburetor
42	494553	Keeper-Valve	98	807923	Kit-Idle Speed	125A	693480	Carburetor (4 Screw Fuel Pump Mount)
45	691800	Tappet-Valve	98A	693942	Kit-Idle Speed	125B		Carburetor (3 Screw Fuel Pump Mount) (Service With Reference 125A)
46	691156	Camshaft	102	●693509	Gasket-Carburetor Body	127	●691739	Plug-Welch
		Note	102A	●273186	Gasket-Carburetor Body	130	693504	Valve-Throttle
		214484 Camshaft	104	●693506	Pin-Float Hinge	130A	691727	Valve-Throttle
		Used on Type No(s).	104A	●691775	Pin-Float Hinge	133	693512	Float-Carburetor
		1880, 2280, 2298.	105	●692078	Valve-Float Needle	133A	692265	Float-Carburetor
		692857 Camshaft	107	693482	Body-Lower Carburetor	134	●394682	Kit-Needle/Seat
		Used on Type No(s).	107A	499655	Body-Lower Carburetor	146	691639	Key-Timing
		1881, 2281, 2282.	107B	491543	Body-Lower Carburetor	147	693508	Jet-Pilot
47	691964	Slinger-Oil	108	693505	Valve-Choke	147A	691431	Jet-Pilot
50	691709	Manifold-Intake	108A	691233	Valve-Choke			
51	★●692278	Gasket-Intake	109	693498	Shaft-Choke			
51A	★∅692219	Gasket-Intake	109A	691957	Shaft-Choke			
54	93208	Screw (Intake Manifold)	117A	693507	Jet-Main (Standard)			
73A	692527	Screen-Rotating (Steel)	117B	691773	Jet-Main (Standard)			
74A	691677	Screw (Rotating Screen)	117C	691253	Jet-Main (Standard)			
75	691056	Washer (Flywheel)						
91	693483	Body-Upper Carburetor						
91A	499281	Body-Upper Carburetor						
91B	495035	Body-Upper Carburetor						

★ Included in Engine Gasket Set-Ref. No. 358.

● Included in Carburetor Overhaul Kit-Ref. No. 121.

■ Included in Carburetor Gasket Set-Ref. No. 977.

∅ Included in Valve Gasket Set-Ref. No. 1095.

Illustrations cover a range of engines. Parts shown without corresponding text may not be used on your specific engine.

REF. NO.	PART NO.	DESCRIPTION	REF. NO.	PART NO.	DESCRIPTION	REF. NO.	PART NO.	DESCRIPTION
161	691401	Base—Air Cleaner (Metal)	235	691206	Shield—Fuel Spray	306	690414	Shield—Cylinder
163	★●690273	Gasket—Air Cleaner	239	491657	Switch—Oil Pressure	306A	690435	Shield—Cylinder
165	★●693148	Nut (Ring Gear)	240	394358	Filter—Fuel	307	691003	Screw (Cylinder Shield)
186	691764	Connector—Hose (Pulse Line)	267	690316	Screw (Casing Clamp)	309	497596	Motor—Starter (3-5/8" Housing Length)
187	499167	Line—Fuel (Cut to Required Length)	268	691025	Casing—Control Wire (Cut To Required Length)	309A	498148	Motor—Starter (4-3/8" Housing Length)
188	691003	Screw (Control Bracket)	269	691026	Wire—Control (Cut To Required Length)	309B		Motor—Starter (For Replacement Starter Motor, Order Reference 309A)
202	690570	Link—Mechanical Governor	270	691027	Nut (Control Wire Casing)	310	690323	Bolt (Starter Motor) (3-5/8" Housing Length)
203	493230	Crank—Bell	271	691028	Lever—Control	310A	691263	Bolt (Starter Motor) (For 4-3/8" Housing Length)
205	690322	Screw (Bell Crank)	276	●693497	Washer—Sealing (Carburetor Plug)	311	497608	Brush Set
209	691273	Spring—Governor (White)	276A	●693510	Washer—Sealing (Foam)	311A	395538	Brush Set (For 3-5/8" Housing Length)
211	691807	Spring—Governed Idle	276B	●691872	Washer—Sealing (Foam)	311B	490311	Brush Set (4-1/2" Housing Length)
212	693544	Link—Throttle (Used On 4 Screw Fuel Pump Mount Carburetors)	276C	★691319	Washer—Sealing (Carburetor Plug)	332	691059	Nut (Flywheel)
212A	690571	Link—Throttle (Used On 3 Screw Fuel Pump Mount Carburetors)	278	692810	Washer (Governor Control Lever)	333	394891	Armature—Magneto (MAGNETRON®)
216	690562	Link—Choke	297	691331	Nut (Air Filter Retainer)	334	691061	Screw (Magneto Armature)
219	394348	Gear—Governor	300	491319	Muffler (Super Lo Tone)	337	802592	Plug—Spark (Resistor)
220	690412	Washer (Governor Gear)	304	690826	Housing—Blower (Black)			
222	691366	Bracket—Control			Note _____			
227	690762	Lever—Governor Control			691391 Housing—Blower (Red)			
231	690718	Screw (Choke Valve)	305B	692198	Screw (Blower Housing)			
231A	691437	Screw (Choke Valve)						

★ Included in Engine Gasket Set—Ref. No. 358.

● Included in Carburetor Overhaul Kit—Ref. No. 121.

■ Included in Carburetor Gasket Set—Ref. No. 977.

∅ Included in Valve Gasket Set—Ref. No. 1095.

Illustrations cover a range of engines. Parts shown without corresponding text may not be used on your specific engine.

42D700

REF. NO.	PART NO.	DESCRIPTION	REF. NO.	PART NO.	DESCRIPTION	REF. NO.	PART NO.	DESCRIPTION
356	690807	Wire-Stop (1 Wire, 15-13/16" Long)(Snap Connect Insulated Female Blade Terminal, And Snap Connect Insulated Pin Socket)	432	●693492	Cap-Spring	524	★692532	Seal-Dipstick Tube
			432A	●690766	Cap-Spring	525	690823	Tube-Dipstick
			434	693493	Cover-Diaphragm	526A	690326	Screw (Regulator) (5 To 9 Amp Regulated)
			434A	690434	Cover-Diaphragm			
			435	693494	Screw (Diaphragm Cover)	544	692034	Armature-Starter (3-5/8" Housing Length)
356A	491391	Wire-Stop (2 Wires, 5-33/64" And 15-23/32" Long)(Snap Connect Insulated Female Blade Terminal, And 2 Push-On Female Blade Terminals)	435A	691085	Seal-O Ring (Crankcase/Cover Sump)	544A	498595	Armature-Starter (4-3/8" Housing Length) (Service With Reference 309A, Part Number 498148)
			439	690589	Seal-O Ring (Crankcase Cover/Sump)	544B	390837	Armature-Starter (3-5/8"Housing Length)
			441	691176	Bracket-Oil Fill	544C	490309	Armature-Starter (4-1/2" and 4-3/8" Housing Lengths)
			445	394019	Filter-Air Cleaner Cartridge			
358	495868	Gasket Set-Engine	447	690297	Screw (Air Guide Cover)			
359	691077	Washer (Ground Terminal)	447A	691003	Screw (Air Guide Cover)	551	690415	Cover-Valve
363	19203	Puller-Flywheel	449	691044	Screw (Oil Fill Bracket)	552	690553	Bushing-Governor Crank
365	690321	Screw (Carburetor)	474B	696459	Alternator (Dual Circuit) Used on Type No(s). 1231, 1280, 1281, 1540, 1880, 1881, 2280, 2281, 2282.	552A	690552	Bushing-Governor Crank
373	691612	Nut (Ground Terminal)				562	690311	Bolt (Governor Control Lever)
383	89838	Wrench-Spark Plug	474C	696457	Alternator (Tri Circuit 5 To 9 Amp Regulated) Used on Type No(s). 1282, 1298, 2298.	573	696040	Plate-Back (Used After Code Date 00101500).
391	693487	Body-Fuel Pump						Note
391A	691896	Body-Fuel Pump	501A	691188	Regulator (5 To 9 Amp Regulated)			690764 Plate-Back (Used Before Code Date 00101600).
392	●693491	Spring-Pump Diaphragm	505	691029	Nut (Governor Control Lever)	578	692306	Wire Assembly (1 Wire, 48-1/2" Long) (Snap Connect Female Pin Socket, And Bare Wire End)
392A	●691801	Spring-Pump Diaphragm						
394	●693489	Diaphragm-Carburetor	507	691972	Insulator	579	690958	Nut (Starter Cable)
394A	●691871	Diaphragm-Carburetor	510	497606	Drive-Starter	579A	691626	Nut (Starter Cable)
394B	●272638	Diaphragm-Carburetor	510A	495878	Drive-Starter			
395	690481	Cover-Valve Chamber	513	692024	Clutch-Drive			
403	690288	Washer (End Cap)	520	691084	Terminal-Ground			
404	690442	Washer (Governor Crank)	523	691385	Dipstick			
405	690364	Screw (Back Plate)						
415	690283	Plug (Oil Pressure Switch)						
425	691675	Screw (Air Cleaner Cover)						

★ Included in Engine Gasket Set-Ref. No. 358.

● Included in Carburetor Overhaul Kit-Ref. No. 121.

■ Included in Carburetor Gasket Set-Ref. No. 977.

⊙ Included in Valve Gasket Set-Ref. No. 1095.

Illustrations cover a range of engines. Parts shown without corresponding text may not be used on your specific engine.

42D700

REF. NO.	PART NO.	DESCRIPTION	REF. NO.	PART NO.	DESCRIPTION	REF. NO.	PART NO.	DESCRIPTION
601	95162	Clamp-Hose (Zinc Plate) (Spring Wire)	802	691286	Cap-End	861	693502	Kit-Fuel Pump (Used On 4 Screw Fuel Pump Mount Carburetors)
615	690317	Retainer-Governor Shaft	802A	395537	Cap-End (3-5/8" Housing Length)	861A	393397	Kit-Fuel Pump (Used On 3 Screw Fuel Pump Mount Carburetors)
616	491530	Crank-Governor	802B	494988	Cap-End (4-3/8" Housing Length)	863	690444	Bracket-Muffler
629	262539	Spring-Throttle Return	802C		Cap-End (4-3/8" Housing Length)(Service With Reference 309A, Part Number 498148)	864B	691970	Adapter-Muffler
635	66538	Boot-Spark Plug	803	693757	Housing-Starter (3-5/8" Housing Length)	865	691196	Cover-Air Guide
643	496700	Retainer-Air Filter	803A	398159	Housing-Starter (3-5/8" Housing Length)	865A	691197	Cover-Air Guide
689	690555	Spring-Friction	803B	398892	Housing-Starter (4-1/2" Housing Length)	868	Ø692324	Seal-Valve (Black)
691	★690657	Seal-Governor Shaft	803C	494205	Housing-Starter (4-3/8" Housing Length)	869	691802	Seat-Valve (Intake)
695	693149	Screw (Ring Gear)	807	693511	Spacer-Throttle	870	691844	Seat-Valve (Exhaust)
697	691625	Screw (Drive Cap)	819	690297	Screw (Muffler Bracket)	871	261961	Bushing-Valve Guide (Exhaust)
716	220863	Washer (Connecting Rod)	823	691681	Screw (Muffler Adapter)	————— Note —————		
726	391362	Gear-Ring (Includes Mounting Hardware)	842	★271170	Seal-O Ring (Dipstick Tube)	876	495877	Kit-Pinion Spring
737	690332	Screw (Oil Filter Adapter)	847	495715	Dipstick/Tube Assembly	877	393456	Wire/Connector- Alternator (Dual Circuit)
741	691285	Gear-Timing	851	493880	Terminal-Spark Plug	877A	399916	Wire/Connector- Alternator (2 Wires, 7-53/64" Long) (2 Bare Wire End, And Insulated Snap Connect Male Pin Terminal)
742	690328	Retainer-E Ring	859	●693488	Gasket-Carburetor Pump	877B	393537	Wire/Connector- Alternator (Tri Circuit 5 To 9 Amp Regulated)
750	690960	Screw (Oil Pump Cover) (Used After Code Date 98011100).	859A	●693490	Gasket-Carburetor Pump	878	691237	Harness-Alternator
750A	690336	Screw (Oil Pump Cover) (Used Before Code Date 98011200).	859B	●691873	Gasket-Carburetor Pump	878A	691955	Harness-Alternator (Tri Circuit)
773	692334	Retainer	860	●691799	Spring-Diaphragm	883	★692282	Gasket-Exhaust
783	693059	Gear-Pinion				896	691641	Pin-Drive Retainer
789	695050	Harness-Wiring (6 Pin Customer Conversion)						
797	693167	Nut (Brush Retainer)						
801	691967	Cap-Drive						

★ Included in Engine Gasket Set-Ref. No. 358.

● Included in Carburetor Overhaul Kit-Ref. No. 121.

■ Included in Carburetor Gasket Set-Ref. No. 977.

Ø Included in Valve Gasket Set-Ref. No. 1095.

Illustrations cover a range of engines. Parts shown without corresponding text may not be used on your specific engine.

42D700

REF. NO.	PART NO.	DESCRIPTION	REF. NO.	PART NO.	DESCRIPTION	REF. NO.	PART NO.	DESCRIPTION
918	393815	Hose-Vacuum (Cylinder To Impulse Pump) (Cut to Required Length)	1003	490316	Spring-Brush (4-1/2" Housing Length)	1051	691265	Ring-Retaining
926	498233	Kit-Housing/Cap (4-1/2" Housing Length)	1005	498157	Fan-Flywheel	1058	274796	Owner's Manual (Emission) Note
934	691058	Screw (Fan Retainer)	1006	691247	Retainer-Fan		272112	Owner's Manual (Non Emission)
943	★690589	Seal-O Ring (Oil Pump Cover)	1017	690770	Screen-Oil Pump	1083	690958	Nut (End Cap)
947	693495	Solenoid-Fuel (Used After Code Date 98091300).	1019	496726	Kit-Label	1090	691293	Retainer-Brush
947A	397266	Solenoid-Fuel (Used Before Code Date 98091400).	1024	499054	Pump-Oil	1095	498047	Gasket Set-Valve
955	693513	Plug-Carburetor	1027	492932	Filter-Oil (2-1/4" Long)	1119	691183	Screw (Alternator)
955A	397882	Plug-Carburetor	1028	491721	Adapter-Oil Filter	1132	690353	Screw (Oil Slinger)
965	499613	Cover-Oil Pump (Used After Code Date 98011100). Used on Type No(s). 1281, 1282, 1881, 2281, 2282.	1032	491710	Ball-Oil Pump	1136	690329	Screw (Control Bracket) (High Speed Control)
965A	492197	Cover-Oil Pump (Used Before Code Date 90111200). Used on Type No(s). 1281, 1282, 1881, 2281.	1035	693158	Shaft-Pump	1137	690390	Washer (Control Bracket) (High Speed Control)
967	272490	Filter-Pre Cleaner	1036	696779	Label-Emission (Used After Code Date 01093000). Note 695702 Label-Emission (Used After Code Date 00063000 and Before Code Date 01100100). 694979 Label-Emission (Used After Code Date 99093000 and Before Code Date 00070100). 694391 Label-Emission (Used After Code Date 98123100 and Before Code Date 99100100). 499380 Label-Emission (Used After Code Date 97052500 and Before Code Date 99010100). 499379 Label-Emission (Used Before Code Date 97052600).	1138	690330	Nut (Control Bracket) (High Speed Control)
968	691207	Cover-Air Cleaner				1154	690366	Screw (Valve Chamber Cover)
971	691100	Screw (Air Cleaner Base To Carburetor)				1159	690286	Washer (Oil Slinger)
988	★691313	Gasket-Oil Adapter						

★ Included in Engine Gasket Set-Ref. No. 358.

● Included in Carburetor Overhaul Kit-Ref. No. 121.

■ Included in Carburetor Gasket Set-Ref. No. 977.

∅ Included in Valve Gasket Set-Ref. No. 1095.

Illustrations cover a range of engines. Parts shown without corresponding text may not be used on your specific engine.