

# Illustrated Parts List

## Model Series

### 40A700 to 40A799

TYPE NUMBERS  
1201, 1221, 1226,  
1227, 1250.

#### TO FIND THE CORRECT NUMBER OF THE PART YOU NEED: FOLLOW THE INSTRUCTIONS BELOW

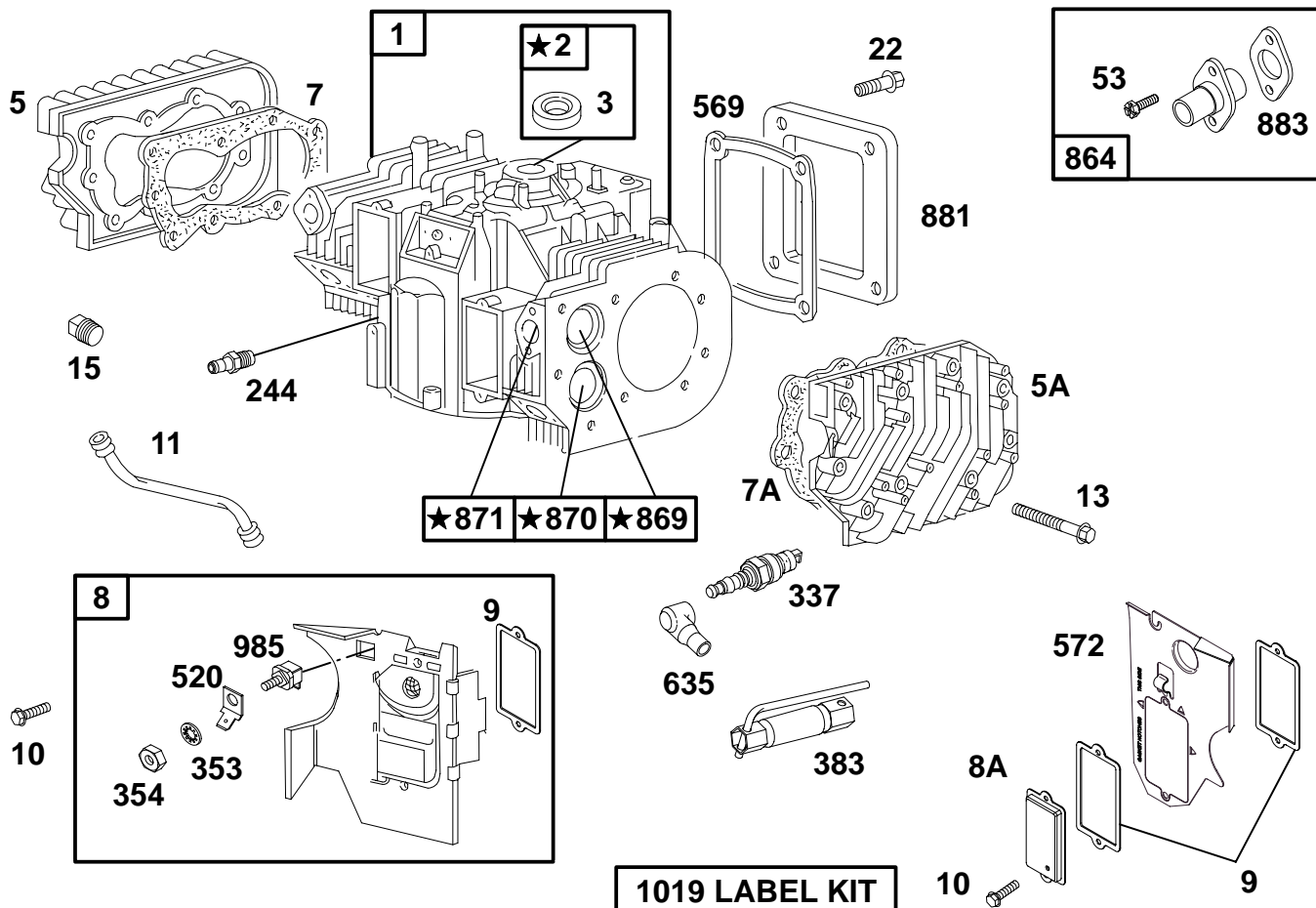
- A. Refer to Engine Model, Type and Code Number that is stamped on the blower housing of engine. Engine type numbers such as 0123 01 are listed only as 0123 in most instances. The two digits (01 or 02, etc.) to the right of the space may be required for more accurate parts identification in some instances. Select the Illustrated Parts List covering the correct Model Series and Type Number.
- B. Refer to the Illustrations and compare the original part with Illustration. The number next to the illustration is the Reference Number. Assemblies include all parts shown in frames. All parts shown in assembly frames having individual reference numbers can be purchased separately.
- C. After the Reference Number has been identified, refer to the Numerical text, where Reference and Primary Part Number are listed. **THE PRIMARY PART IS USED ON ALL TYPE NUMBERS EXCEPT THOSE TYPE NUMBERS UNDER "NOTE."**
- D. If a "Note" appears below the Primary Part Number, it means that this part differs from the Primary Part for certain types. If your Type number is listed under "Note," order the part referred to at the "Note."
- E. If your Engine Type Number does not appear after any part number listed under "Note," use the Primary Part Number.
- F. For Engine Type Numbers not covered by this book, check other Parts Lists having the same engine model or contact your source of supply.



PRINTED IN U.S.A.

COPYRIGHT by BRIGGS & STRATTON CORPORATION  
All rights reserved. No part of this material may be reproduced or transmitted, in any form or by any means, electronic or mechanical, including photocopying, recording or by any information storage and retrieval system, without permission in writing from Briggs & Stratton Corporation.

# 40A700 to 40A799



★ REQUIRES SPECIAL TOOLS TO INSTALL. SEE REPAIR INSTRUCTION MANUAL.

1058 OWNER'S MANUAL

REF. NO.	PART NO.	DESCRIPTION	REF. NO.	PART NO.	DESCRIPTION	REF. NO.	PART NO.	DESCRIPTION
1	497074	Cylinder Assembly	9	★27803	Gasket-Breather	635	66538	Boot-Spark Plug
2	399265	Bushing	10	94830	Screw-Hex.	864	398349	Adapter-Muffler
3	★391086	Seal-Oil	11	280225	Tube-Breather	869	261463	Seat-Valve (Intake)
5	493457	Head-Cylinder (#1)	13	94565	Screw-Hex.	870	213316	Seat-Valve (Exhaust)
5A	493458	Head-Cylinder (#2)	15	94497	Plug-Oil Drain (Impulse Pump Hole)	871	261961	Bushing-Guide (Exhaust)
7	★271867	Gasket-Cylinder Head (#1)	22	93882	Screw-Hex.	<p align="center"><b>Note</b></p> <p>231218 Bushing-Guide (Intake)</p>		
7A	★271868	Gasket-Cylinder Head (#2)	53	93415	Screw-Hex.			
8	495754	Breather Assembly	244	230318	Connector-Hose	881	222860	Plate-Cover
8A	222892	Cover-Breather (Used Only on Ref. 572 Air Baffle With Holes for Mounting)	337	802592	Plug-Spark	883	★272250	Gasket-Exhaust
			353	92791	Washer-Lock	985	398525	Insulator
			354	90576	Nut-Hex.	1019	496726	Label Kit-40A700
			383	89838	Wrench-Spark Plug	1058	272112	Owner's Manual
			520	93722	Terminal			
			569	★272645	Gasket-Base			
			572	224580	Plate-Breather			

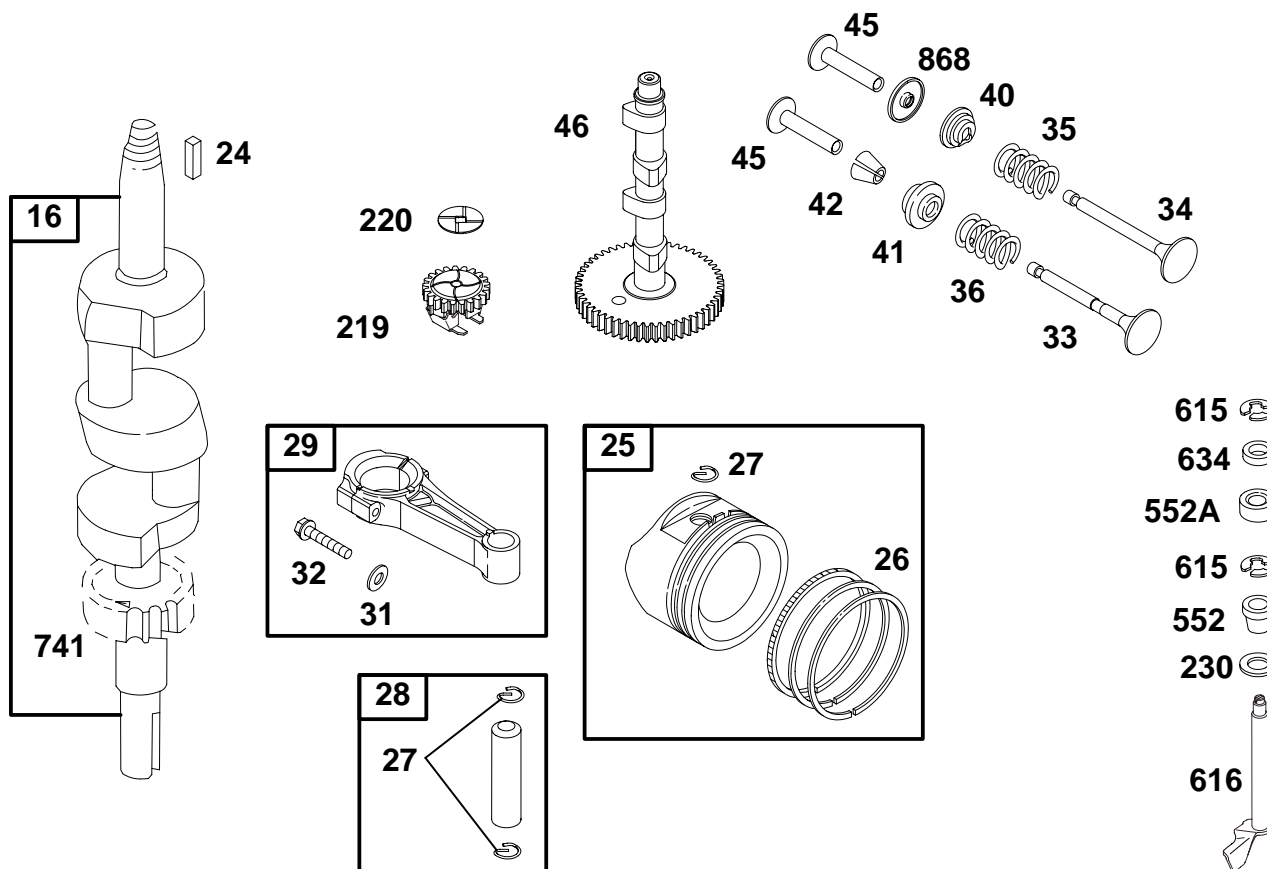
- ★ Included in Gasket Set-Part No. 495868.
- Included in Carburetor Kit-Part No. 491539.
- Included in Fuel Pump Kit-Part No. 393397.

0286-2

Assemblies include all parts shown in frames.

36

**40A700 to 40A799**

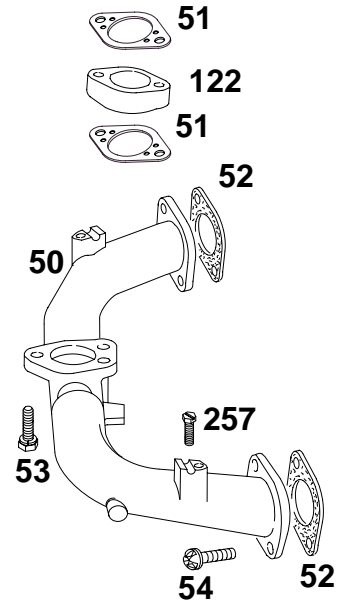
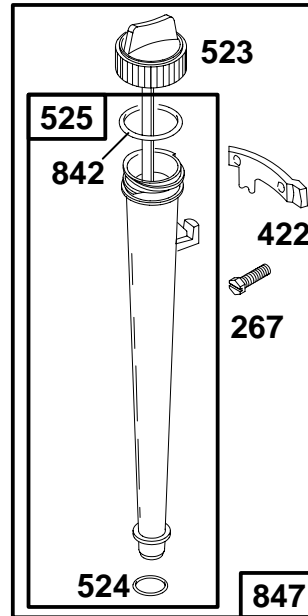
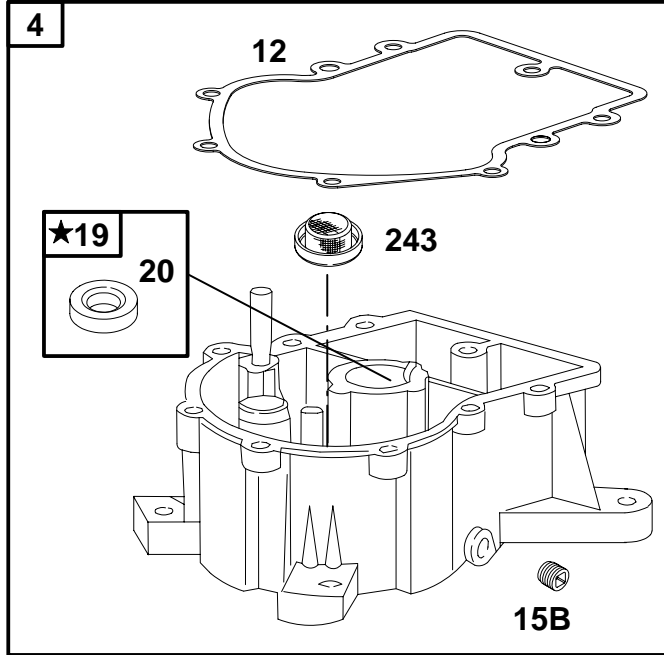
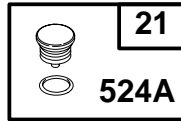


REF. NO.	PART NO.	DESCRIPTION	REF. NO.	PART NO.	DESCRIPTION	REF. NO.	PART NO.	DESCRIPTION
16	493236	Crankshaft <b>Note</b> For Timing Gear Key-Woodruff Order Part No. 94196.	27	260924	Lock-Piston Pin	42	494553	Keeper-Valve (Quantity of 2)
24	222698	Key-Flywheel	28	299691	Pin-Piston (Standard)	45	261368	Tappet-Valve
25	394955	Piston Assembly (Standard)		391286	Pin-Piston (.005" O.S.)	46	213520	Gear-Cam
	394956	Piston Assy. (.010" O.S.)	29	393270	Rod-Connecting (Standard)	219	394348	Gear-Governor
	394957	Piston Assy. (.020" O.S.)		492911	Rod-Conn. (.020" Undersize)	220	222773	Washer-Thrust
	394958	Piston Assy. (.030" O.S.)	31	220863	Washer	230	223882	Washer
26	394959	Ring Set (Standard)	32	94671	Screw-Hex.	552	262332	Bushing-Gov. Crank
	394960	Ring Set (.010" O.S.)	33	390420	Valve-Exhaust	552A	262331	Bushing-Gov. Crank
	394961	Ring Set (.020" O.S.)	34	261528	Valve-Intake (Includes Ref. 42)	615	94296	Retainer
	394962	Ring Set (.030" O.S.)	35	65906	Spring-Valve (Intake)	616	491530	Crank-Governor
			36	26828	Spring-Valve (Exhaust)	634	★491287	Seal-Governor Shaft
			40	221596	Retainer-Valve (Intake)	741	262694	Gear-Timing
			41	292260	Retainer-Valve (Exhaust)	868	393606	Seal-Valve

- ★ Included in Gasket Set-Part No. 495868.
- Included in Carburetor Kit-Part No. 491539.
- Included in Fuel Pump Kit-Part No. 393397.

# 40A700 to 40A799

★ REQUIRES SPECIAL TOOLS TO INSTALL. SEE REPAIR INSTRUCTION MANUAL.



REF. NO.	PART NO.	DESCRIPTION	REF. NO.	PART NO.	DESCRIPTION	REF. NO.	PART NO.	DESCRIPTION
4	492575	Sump-Engine	19	399264	Bushing	257	93897	Screw-Slotted Hex.
12	★271703	Gasket-Crankcase (.015" Thick)	20	★291675	Seal-Oil	267	94694	Screw-Slotted Hex.
	★271188	Gasket-Crankcase (.005" Thick)	21	399195	Plug-Oil Fill	422	222875	Bracket-Oil Fill
	★271189	Gasket-Crankcase (.009" Thick)	22A	93585	Screw-Hex.	523	494947	Cap-Oil Fill
15A	94239	Plug-Oil Drain	50	213290	Manifold-Intake	524	★271157	Seal-O-Ring
15B	94720	Plug-Oil Drain	51	★271412	Gasket-Intake	524A	★271485	Seal-O-Ring
			52	★270884	Gasket-Intake	525	495348	Tube-Oil Fill
			53	93970	Screw-Hex.	842	★270920	Seal-O-Ring
			54	93208	Screw-Phillips	847	495715	Tube Assy.-Oil
			122	280319	Spacer			
			243	491722	Screen-Oil Pump			

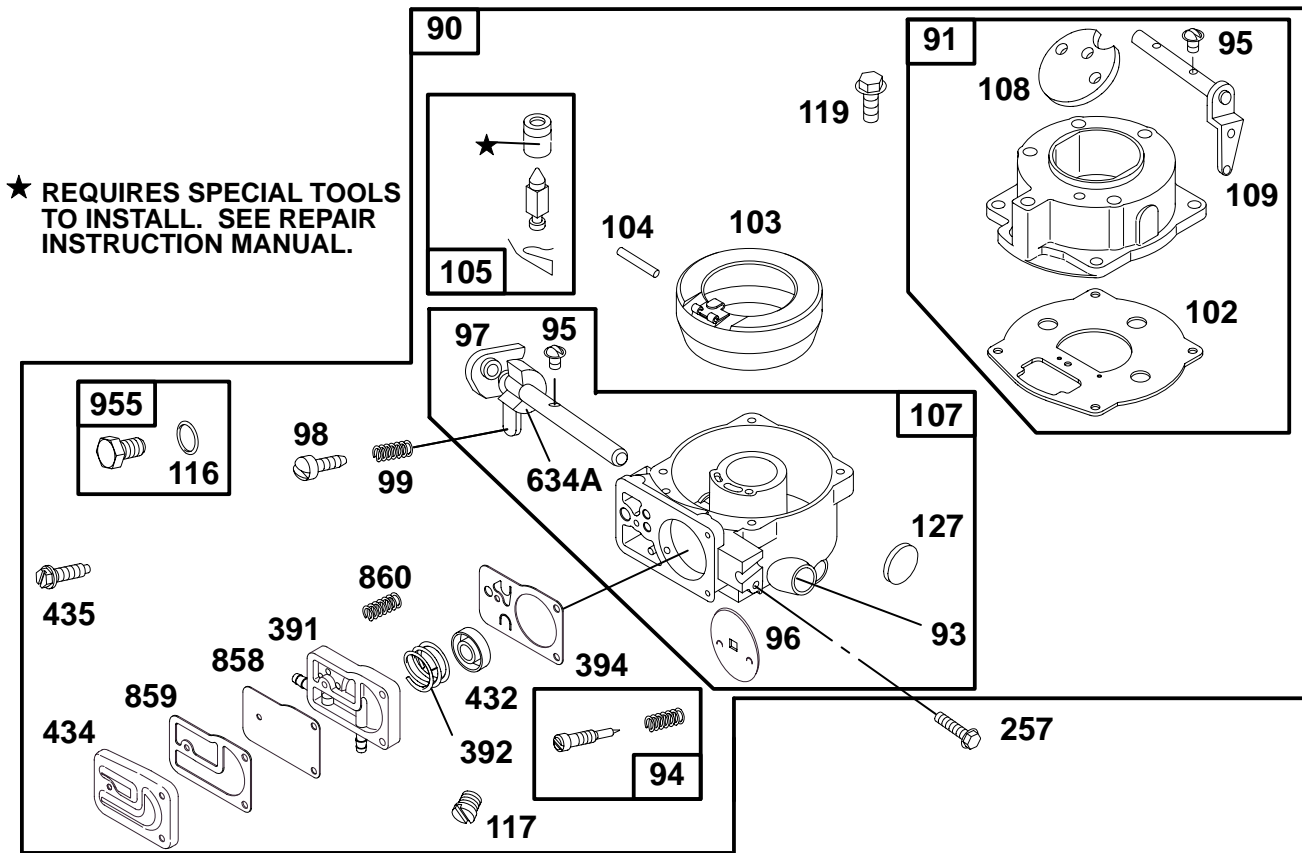
- ★ Included in Gasket Set-Part No. 495868.
- Included in Carburetor Kit-Part No. 491539.
- Included in Fuel Pump Kit-Part No. 393397.

0286-4

Assemblies include all parts shown in frames.

36

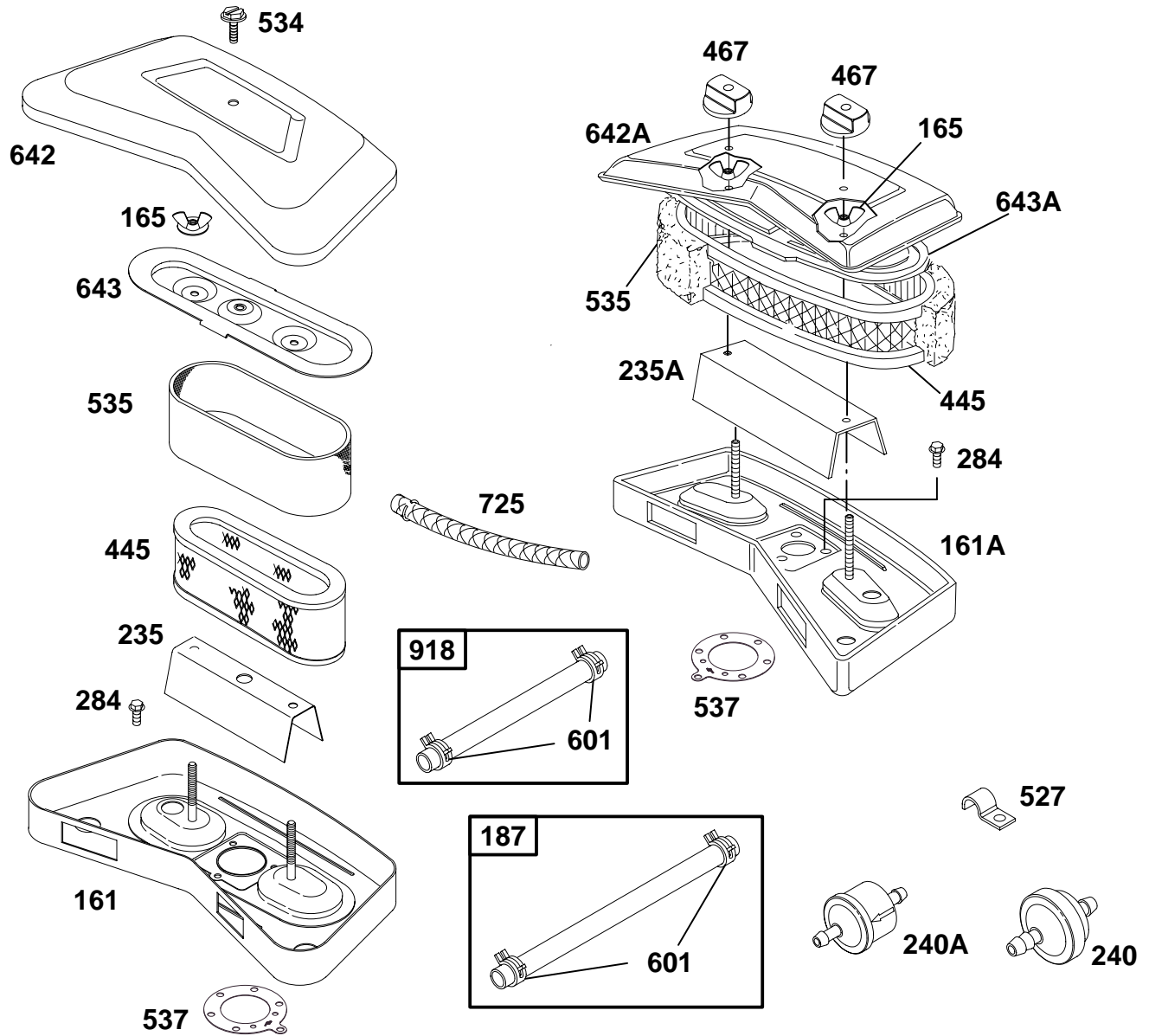
**40A700 to 40A799**



REF. NO.	PART NO.	DESCRIPTION	REF. NO.	PART NO.	DESCRIPTION	REF. NO.	PART NO.	DESCRIPTION	
90	495181	Carburetor	107	491543	Body Assembly—Lower	392	■●261395	Spring—Pump Diaphragm	
91	495035	Body Assembly—Upper	108	223534	Valve—Choke	394	■●272638	Diaphragm—Carb.	
93	231209	Bushing—Throttle Shaft	109	392673	Shaft—Choke	432	■●221377	Cap—Spring	
94	●491538	Valve—Idle Adjustment	116	★280474	Seal—O-Ring	434	223688	Cover—Diaphragm	
95	93499	Screw—Slotted	117	231338	Jet—Main (Fixed)	435	93829	Screw—Slotted Hex.	
96	221939	Valve—Throttle			<b>Note</b>	634A	●271013	Washer—Foam	
97	392672	Shaft—Throttle			231333	Jet—Main (Fixed)	858	■●270989	Diaphragm—Carb.
98	91920	Screw—Slotted				(High Altitude)	859	■●271025	Gasket—Pump
99	26157	Spring—Idle Valve	119	94152	Screw—Torx® Hex.	860	■●261358	Spring—Diaphragm	
102	●271607	Gasket—Carburetor Body	127	●223472	Plug—Welch	955	397882	Plug	
103	298514	Float—Carburetor	257	93897	Screw—Slotted Hex.				
104	●230896	Pin—Float Hinge	391	280197	Body—Pump				
105	●394683	Valve—Needle							

★ Included in Gasket Set—Part No. 495868.  
 ● Included in Carburetor Kit—Part No. 491539.  
 ■ Included in Fuel Pump Kit—Part No. 393397.

# 40A700 to 40A799



REF. NO.	PART NO.	DESCRIPTION	REF. NO.	PART NO.	DESCRIPTION	REF. NO.	PART NO.	DESCRIPTION
161	496599	Base—Air Cleaner	240A	493629	Filter—Fuel	642	225008	Cover—Air Cleaner
161A	495617	Base—Air Cleaner	284	94264	Screw—Slotted Hex.	642A	224436	Cover—Air Cleaner
165	94289	Nut—Wing	445	394019	Filter—Air	643	496700	Retainer—Air Filter
187	299146	Line—Fuel (Cut to Required Length)	467	493903	Knob	643A	223714	Retainer—Air Filter
235	224995	Shield—Fuel Spray	527	223167	Clamp—Tube	725	280866	Shield—Heat
235A	224039	Shield—Fuel Spray	534	94823	Screw—Slotted Hex.	918	393815	Line—Fuel (Cut to Required Length)
240	394358	Filter—Fuel	535	272490	Filter—Air			
			537	★271411	Gasket—Air Cleaner			
			601	93053	Clamp—Hose			

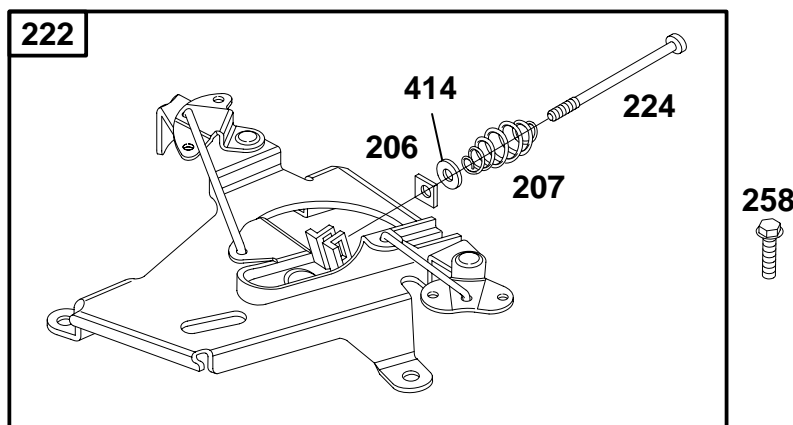
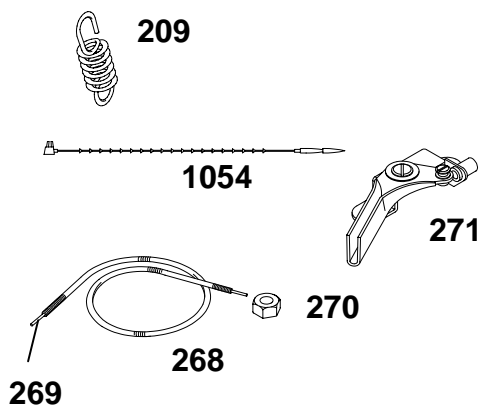
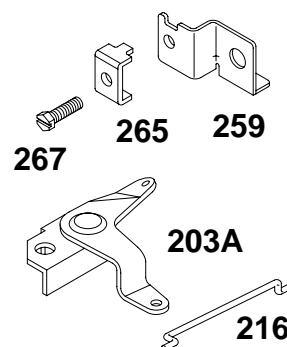
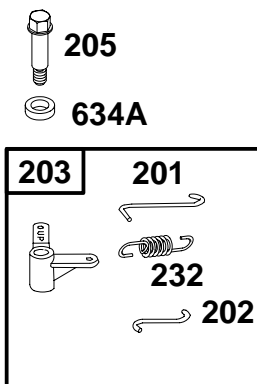
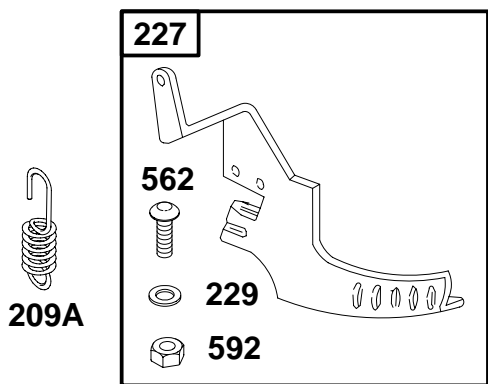
- ★ Included in Gasket Set—Part No. 495868.
- Included in Carburetor Kit—Part No. 491539.
- Included in Fuel Pump Kit—Part No. 393397.

0286-6

Assemblies include all parts shown in frames.

36

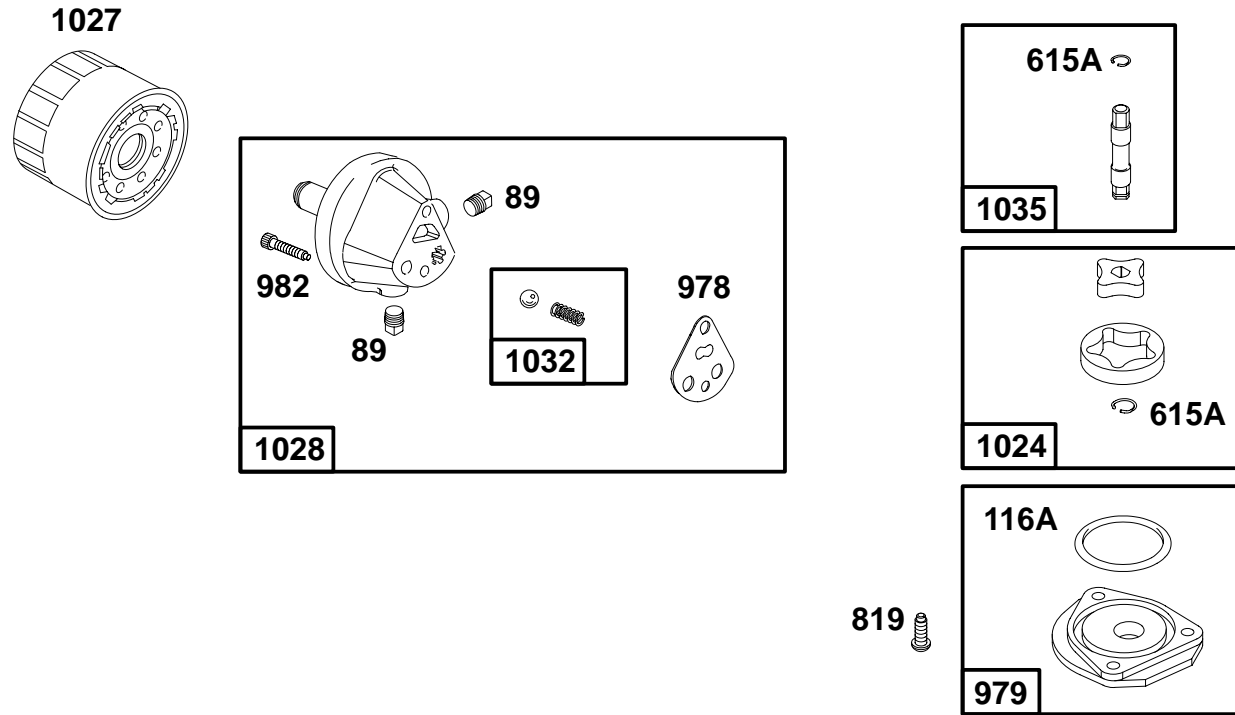
**40A700 to 40A799**



REF. NO.	PART NO.	DESCRIPTION	REF. NO.	PART NO.	DESCRIPTION	REF. NO.	PART NO.	DESCRIPTION
201	262683	Link	222	491282	Bracket—Control	269	26633	Wire—Control (78" Long)
202	262684	Link	224	94297	Screw—Torx®			<b>Note</b> ———
203	493230	Crank—Bell	227	491297	Lever—Governor			If Longer Wire is Needed, Specify Length in Inches; For Shorter Wire, Cut to Required Length.
203A	490207	Crank—Bell	229	62199	Washer	270	63426	Locknut—Casing
205	93971	Screw—Shoulder	232	262539	Spring—Link	271	290568	Lever—Control
206	94298	Nut	258	94623	Screw—Hex.	414	220680	Washer
207	262337	Spring—Control Rod	259	223838	Bracket—Choke	562	93853	Bolt—Carriage
209	262352	Spring—Governor	265	221535	Clamp—Casing	592	92278	Nut—Hex.
		<b>Note</b> ———	267	93496	Screw—Slotted Hex.	634A	●271013	Washer—Foam
		262351 Spring—Gov. Used on Type No(s). 1201.	268	65616	Casing—Wire (72" Long)	1054	270723	Tie—Cable
		262441 Spring—Gov. Used on Type No(s). 1226.			<b>Note</b> ———			If Longer Casing is Needed, Specify Length in Inches; For Shorter Casing, Cut to Required Length.
209A	261563	Spring—Governor Idler						
216	262375	Link						

★ Included in Gasket Set—Part No. 495868.  
 ● Included in Carburetor Kit—Part No. 491539.  
 ■ Included in Fuel Pump Kit—Part No. 393397.

# 40A700 to 40A799

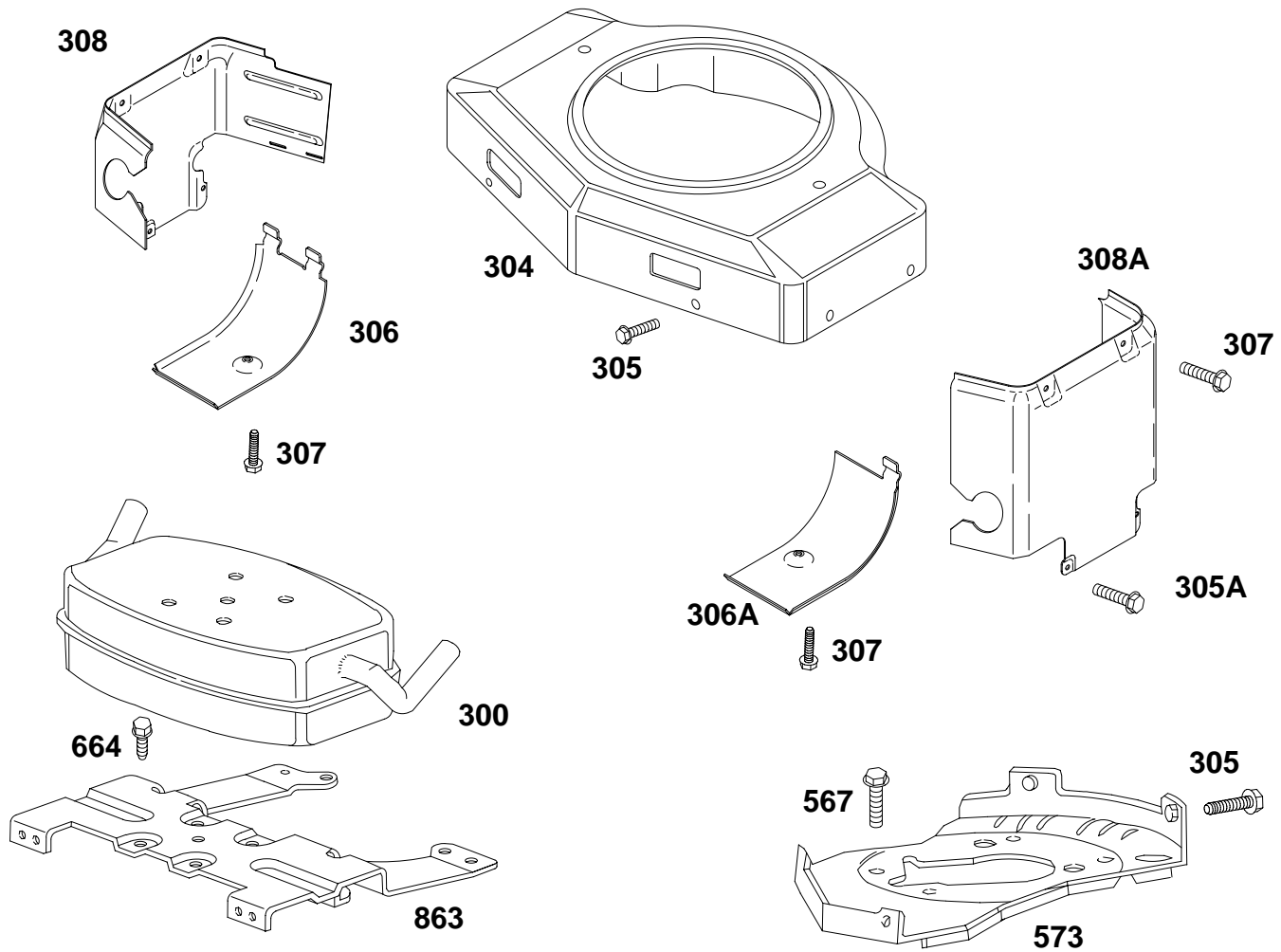


REF. NO.	PART NO.	DESCRIPTION	REF. NO.	PART NO.	DESCRIPTION	REF. NO.	PART NO.	DESCRIPTION
89	91488	Plug—Oil Drain	1027	492932	Filter—Oil (Used After Code Date 95060400).	1028	491721	Adapter—Filter
116A	★280801	Seal—O-Ring				1032	491710	Ball—Oil Pump
615A	94400	Retainer				1035	492589	Shaft—Pump
819	94410	Screw—Phillips			<b>Note</b>			
978	★272060	Gasket			491056 Filter—Oil			
979	492197	Cover—Pump			(Used Before Code Date 95060500).			
982	94362	Screw—Socket						
1024	492196	Pump—Oil						

- ★ Included in Gasket Set—Part No. 495868.
- Included in Carburetor Kit—Part No. 491539.
- Included in Fuel Pump Kit—Part No. 393397.



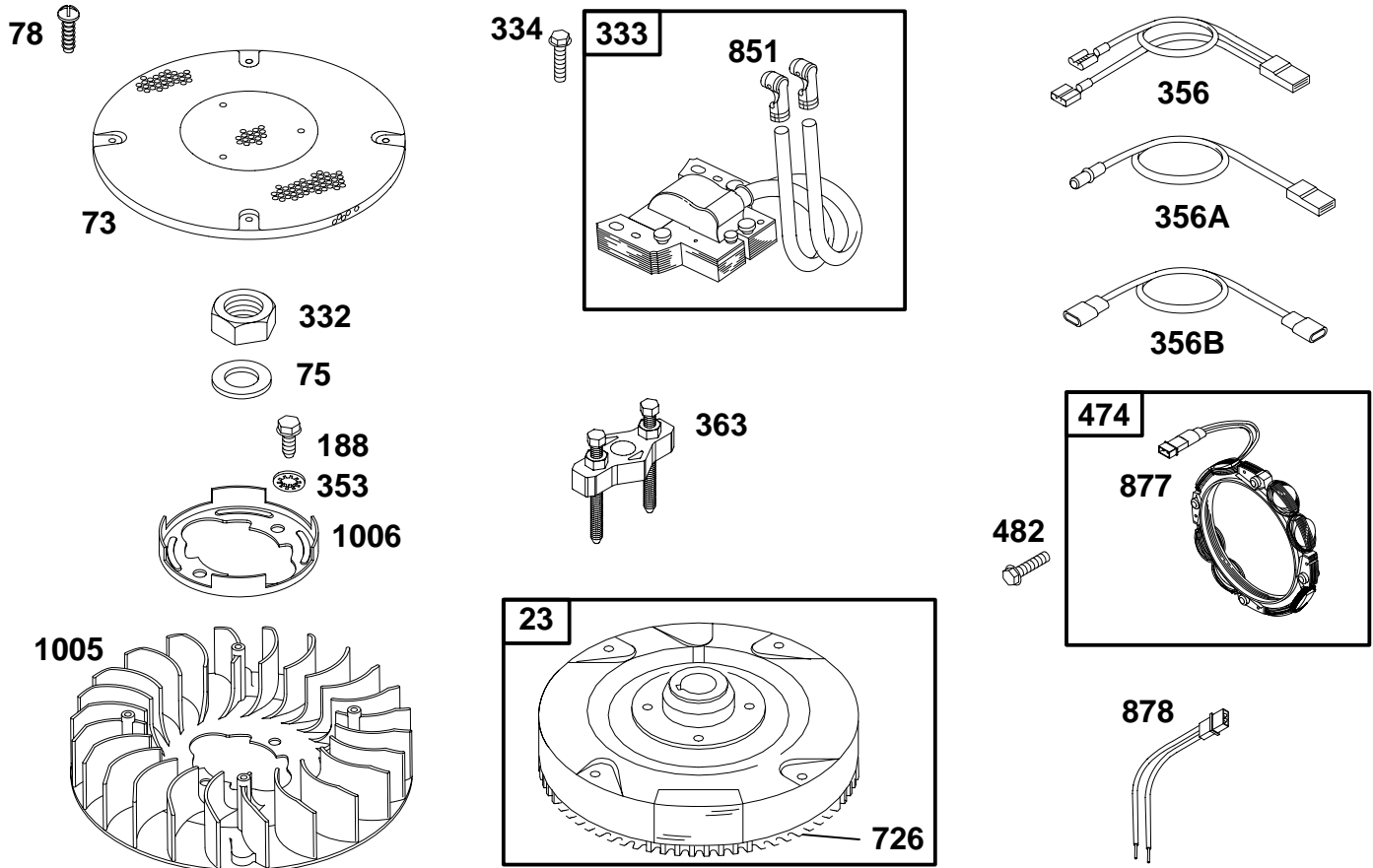
**40A700 to 40A799**



REF. NO.	PART NO.	DESCRIPTION	REF. NO.	PART NO.	DESCRIPTION	REF. NO.	PART NO.	DESCRIPTION
300	491319	Muffler-Exhaust	305	94786	Screw-Hex.	308A	224775	Cover-Air Guide
304	495587	Housing-Blower (Red)	305A	93343	Screw-Hex.	567	94811	Screw-Hex. (Back Plate to Cyl.)
		<b>Note</b>	306	222846	Shield-Cylinder	573	491304	Plate-Back
		495588 Housing-Blower (Black)	306A	223734	Shield-Cylinder	664	93343	Screw-Hex.
			307	94386	Screw-Hex.	863	224007	Bracket-Muffler
			308	224774	Cover-Air Guide			

- ★ Included in Gasket Set-Part No. 495868.
- Included in Carburetor Kit-Part No. 491539.
- Included in Fuel Pump Kit-Part No. 393397.

## 40A700 to 40A799



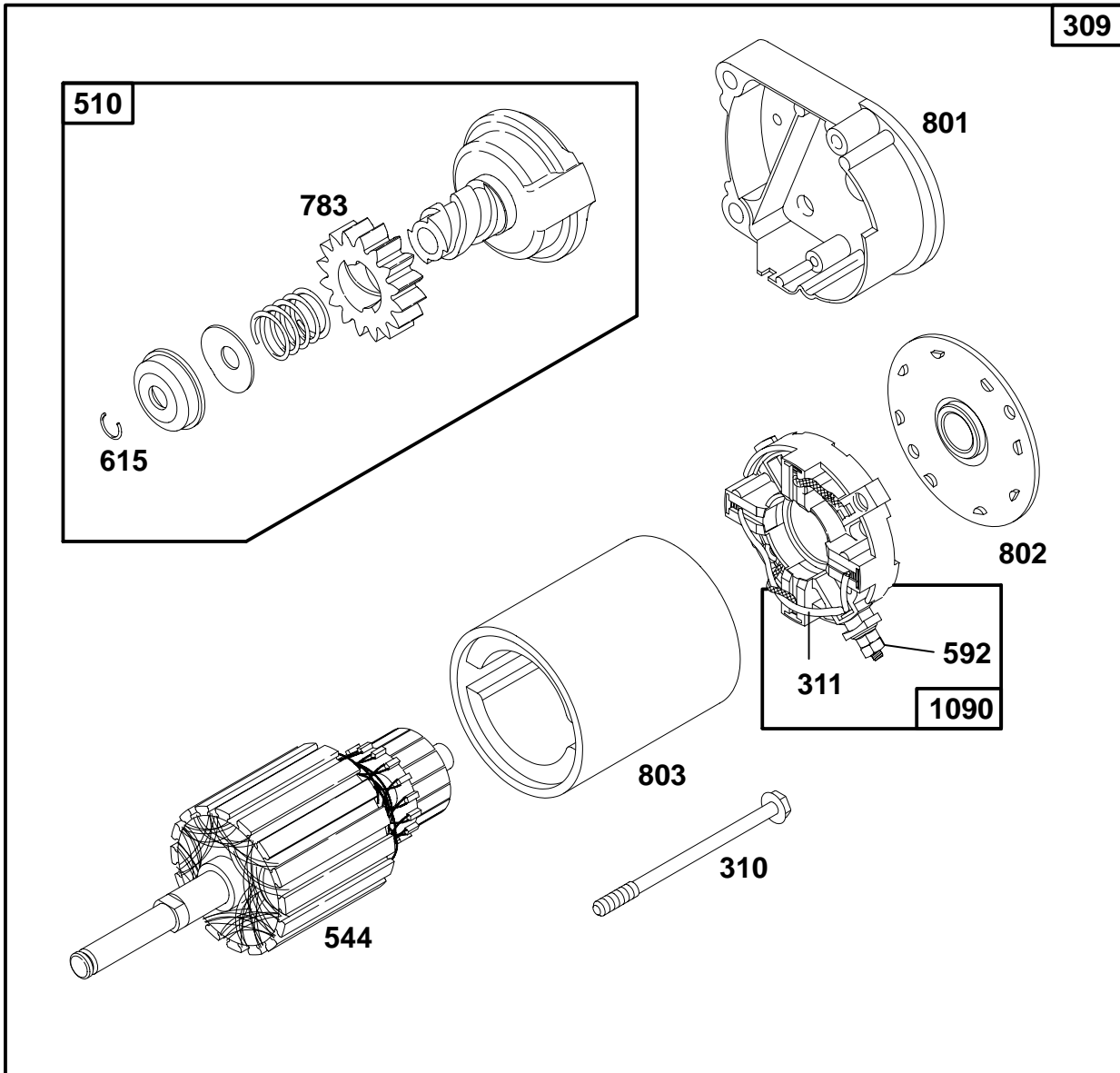
REF. NO.	PART NO.	DESCRIPTION	REF. NO.	PART NO.	DESCRIPTION	REF. NO.	PART NO.	DESCRIPTION
23	491180	Flywheel	353	92791	Washer-Lock	726	391362	Gear-Ring (Includes Mtg. Parts)
73	224521	Screen-Rotating	356	491391	Wire-Stop	851	221798	Terminal-Cable
75	222511	Washer-Spring	356A	494705	Wire-Stop	877	393456	Wire-Alternator
78	94834	Screw-Torx®	356B	497480	Wire-Stop	878	399916	Harness-Alternator
188	94627	Screw-Hex.	363	19203	Flywheel Puller	1005	281053	Fan-Flywheel
332	230674	Nut-Flywheel	474	393474	Alternator (Dual Circuit)	1006	224413	Retainer-Fan
333	394891	Armature-Magneto	482	93621	Screw-Hex.			
334	94731	Screw-Hex.						

- ★ Included in Gasket Set-Part No. 495868.
- Included in Carburetor Kit-Part No. 491539.
- Included in Fuel Pump Kit-Part No. 393397.

0286-10

Assemblies include all parts shown in frames.

**40A700 to 40A799**



REF. NO.	PART NO.	DESCRIPTION	REF. NO.	PART NO.	DESCRIPTION	REF. NO.	PART NO.	DESCRIPTION
309	497596	Motor-Starter	556	93585	Screw-Hex.	801	394860	Cap-Drive
310	94003	Screw-Hex.	592	92278	Nut-Hex.	802	497607	Cap-End
311	497608	Brush Set	615	263080	Retainer	803	497604	Housing-Starter
510	497606	Drive-Starter	783	280104	Gear-Starter	1090	497605	Retainer-Brush
544	497603	Armature-Starter						

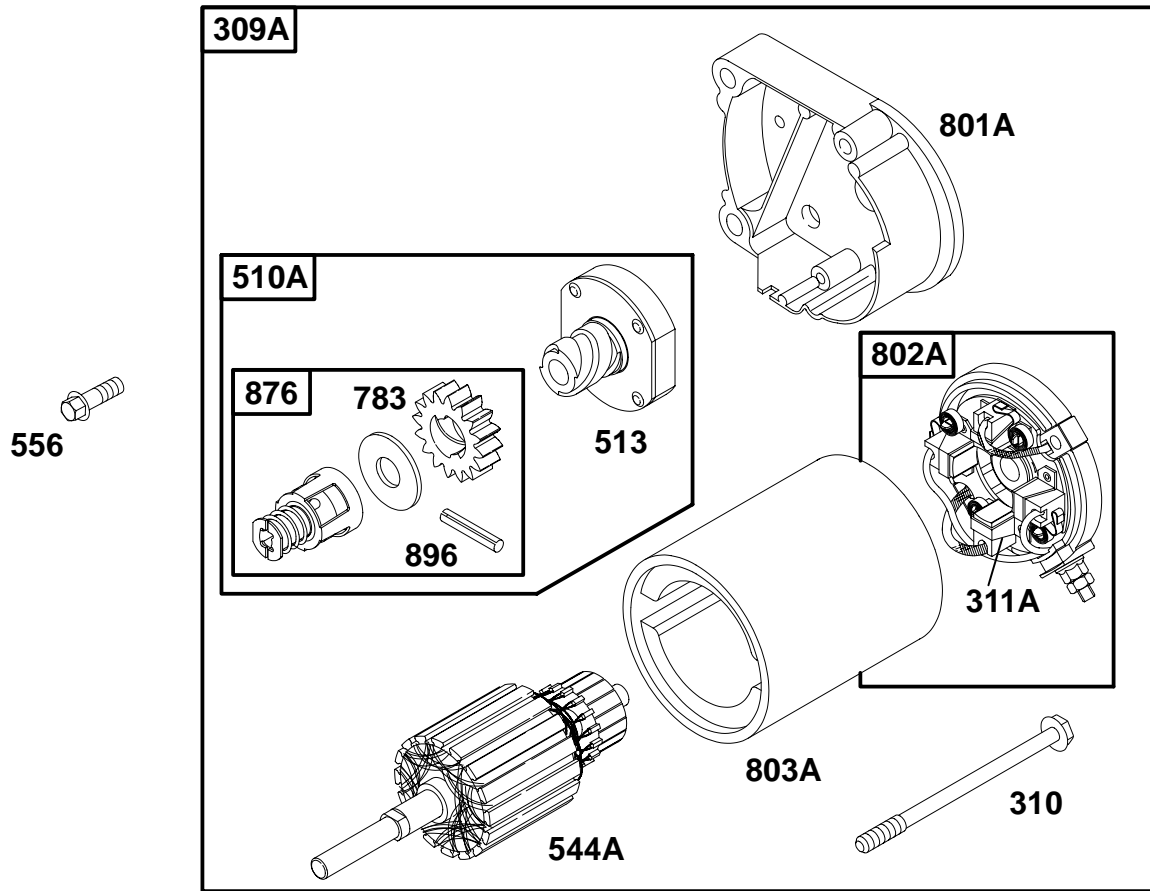
- ★ Included in Gasket Set-Part No. 495868.
- Included in Carburetor Kit-Part No. 491539.
- Included in Fuel Pump Kit-Part No. 393397.

0286-11

Assemblies include all parts shown in frames.

36

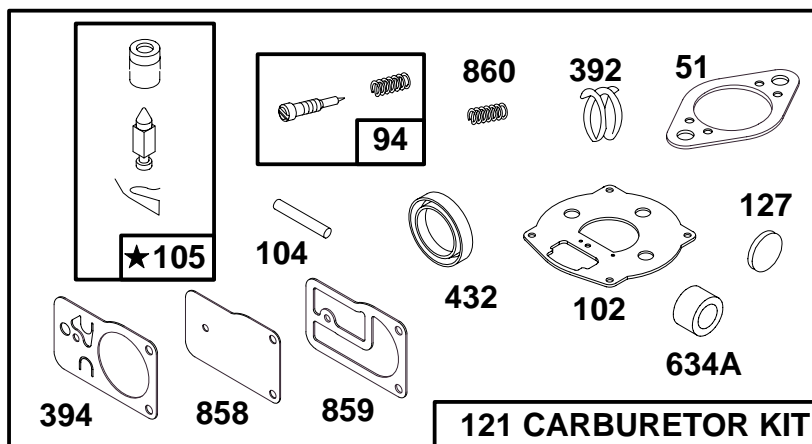
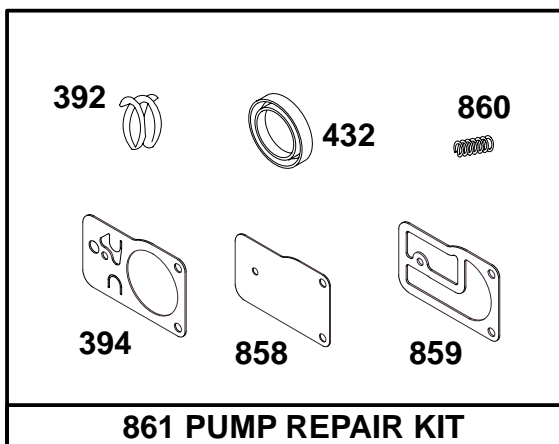
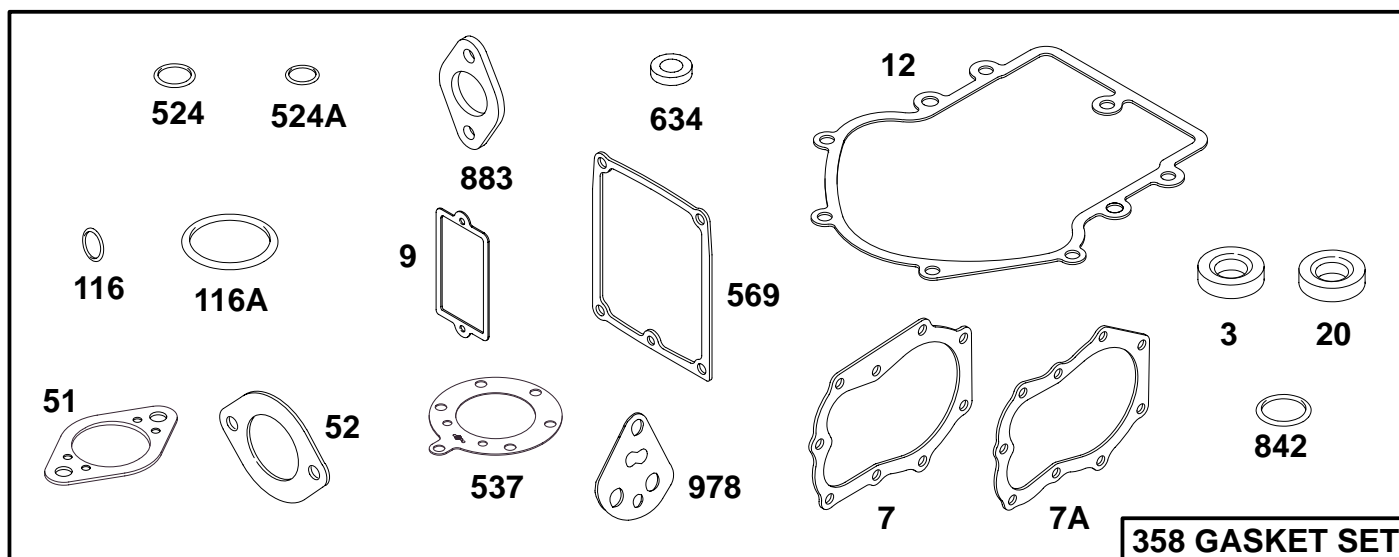
# 40A700 to 40A799



REF. NO.	PART NO.	DESCRIPTION	REF. NO.	PART NO.	DESCRIPTION	REF. NO.	PART NO.	DESCRIPTION
309A	394808	Motor-Starter <b>Note</b> 495100 Motor-Starter Used on Type No(s). 1201, 1226.	544A	390837	Armature-Starter <b>Note</b> 490309 Armature-Starter Used on Type No(s). 1201, 1226.	803A	398159	Housing-Starter <b>Note</b> 494205 Housing-Starter Used on Type No(s). 1201, 1226.
310	94003	Screw-Hex. <b>Note</b> 94004 Screw-Hex. Used on Type No(s). 1201, 1226.	556	93585	Screw-Hex.	876	495877	Kit-Gear
311A	395538	Brush Set	783	280104	Gear-Starter	896	94288	Pin-Roll
510A	495878	Drive-Starter	801A	394860	Cap-Drive			
513	398003	Clutch-Drive	802A	395537	Cap-End <b>Note</b> 494988 Cap-End Used on Type No(s). 1201, 1226.			

- ★ Included in Gasket Set-Part No. 495868.
- Included in Carburetor Kit-Part No. 491539.
- Included in Fuel Pump Kit-Part No. 393397.

### 40A700 to 40A799



★ **REQUIRES SPECIAL TOOLS TO INSTALL. SEE REPAIR INSTRUCTION MANUAL.**

REF. NO.	PART NO.	DESCRIPTION	REF. NO.	PART NO.	DESCRIPTION	REF. NO.	PART NO.	DESCRIPTION
	3	★391086 Seal-Oil		94	●491538 Valve-Idle Adjustment		524A	★271485 Seal-O-Ring
	7	★271867 Gasket-Cyl. Head #1		102	●271607 Gasket-Carburetor Body		537	★●271411 Gasket-Air Cleaner
	7A	★271868 Gasket-Cyl. Head #2		104	●230896 Pin-Float Hinge		569	★272645 Gasket-Base
	9	★27803 Gasket-Breather		105	●394683 Valve-Needle		634	★491287 Seal-Governor Shaft
	12	★271703 Gasket-Crankcase (.015" Thick)		116	★280474 Seal-O-Ring		634A	●271013 Washer-Foam
		★271188 Gasket-Crankcase (.005" Thick)		116A	★280801 Seal-O-Ring		842	★270920 Seal-O-Ring
		★271189 Gasket-Crankcase (.009" Thick)		121	491539 Carburetor Kit		858	●270989 Diaphragm-Carburetor
	20	★291675 Seal-Oil		127	●223472 Plug-Welch		859	●271025 Gasket-Pump
	51	★●271412 Gasket-Intake		358	495868 Gasket Set		860	●261358 Spring-Diaphragm
	52	★270884 Gasket-Intake		392	●261395 Spring-Pump Diaphragm		861	393397 Kit-Fuel Pump
				394	●272638 Diaphragm-Carburetor		883	★272250 Gasket-Exhaust
				432	●221377 Cap-Spring		978	★272060 Gasket
				524	★271157 Seal-O-Ring			

- ★ Included in Gasket Set-Part No. 495868.
- Included in Carburetor Kit-Part No. 491539.
- Included in Fuel Pump Kit-Part No. 393397.