



385700

Illustrated Parts List

Model Series

385700

TYPE NUMBERS
0108 to 0349.

TABLE OF CONTENTS

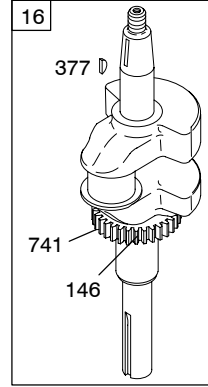
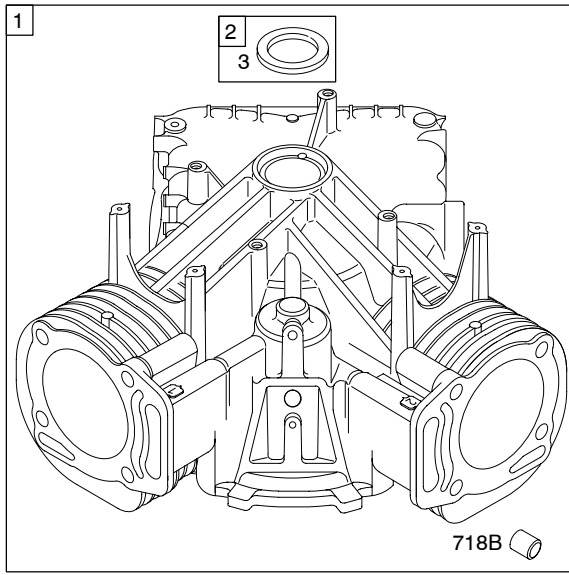
Air Cleaner	6
Alternator	5
Blower Housing	8
Camshaft	4
Carburetor	3
Controls	5
Crankshaft	2
Cylinder	2
Cylinder Head	4
Electric Starter	9
Engine Sump	2
Exhaust System	7
Flywheel	7
Fuel Supply	3
Gasket Set-Engine	2
Gasket Set-Valve	4
Governor Spring	5
Ignition	5
Intake Manifold	6
Kit-Carburetor Overhaul	3
Lubrication	10
Piston, Rings, Connecting Rod	2
Shrouds	8
Valves	4

PRINTED IN U.S.A.

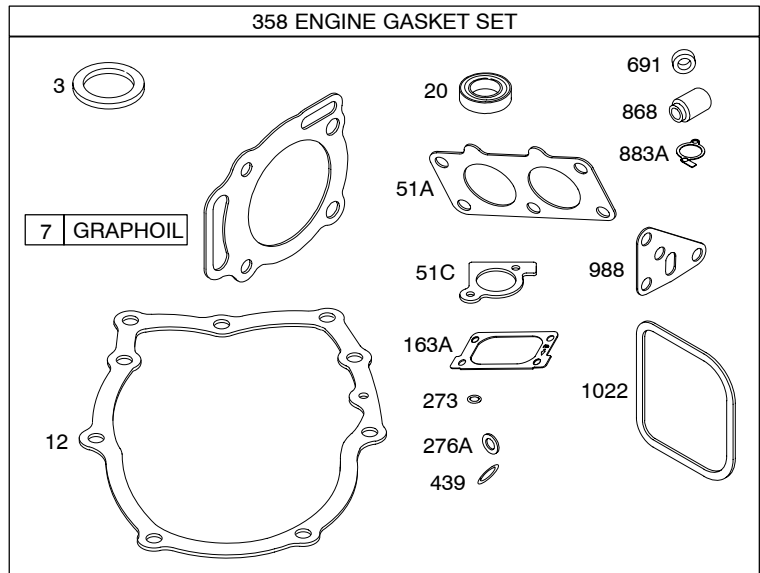
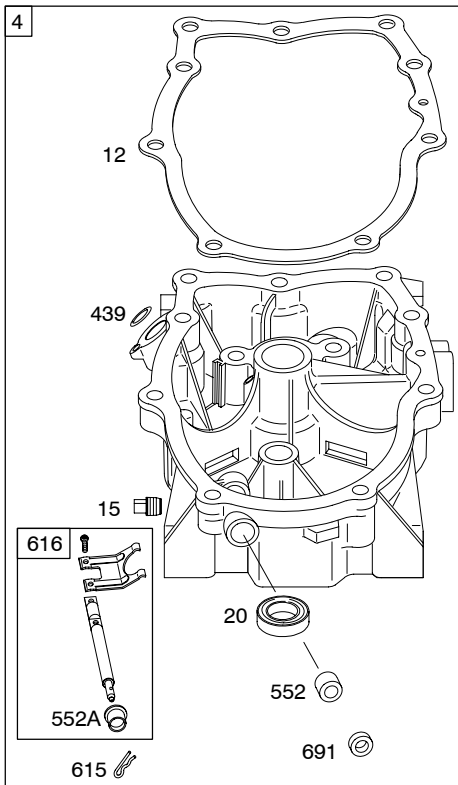
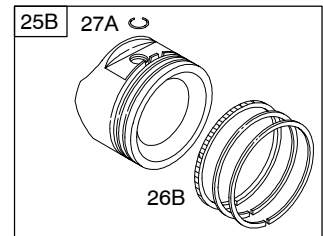
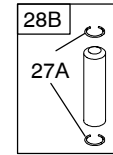
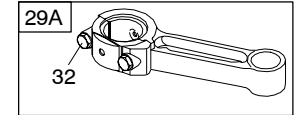


COPYRIGHT by BRIGGS & STRATTON CORPORATION
All rights reserved. No part of this material may be reproduced or transmitted, in any form or by any means, electronic or mechanical, including photocopying, recording or by any information storage and retrieval system, without permission in writing from Briggs & Stratton Corporation.

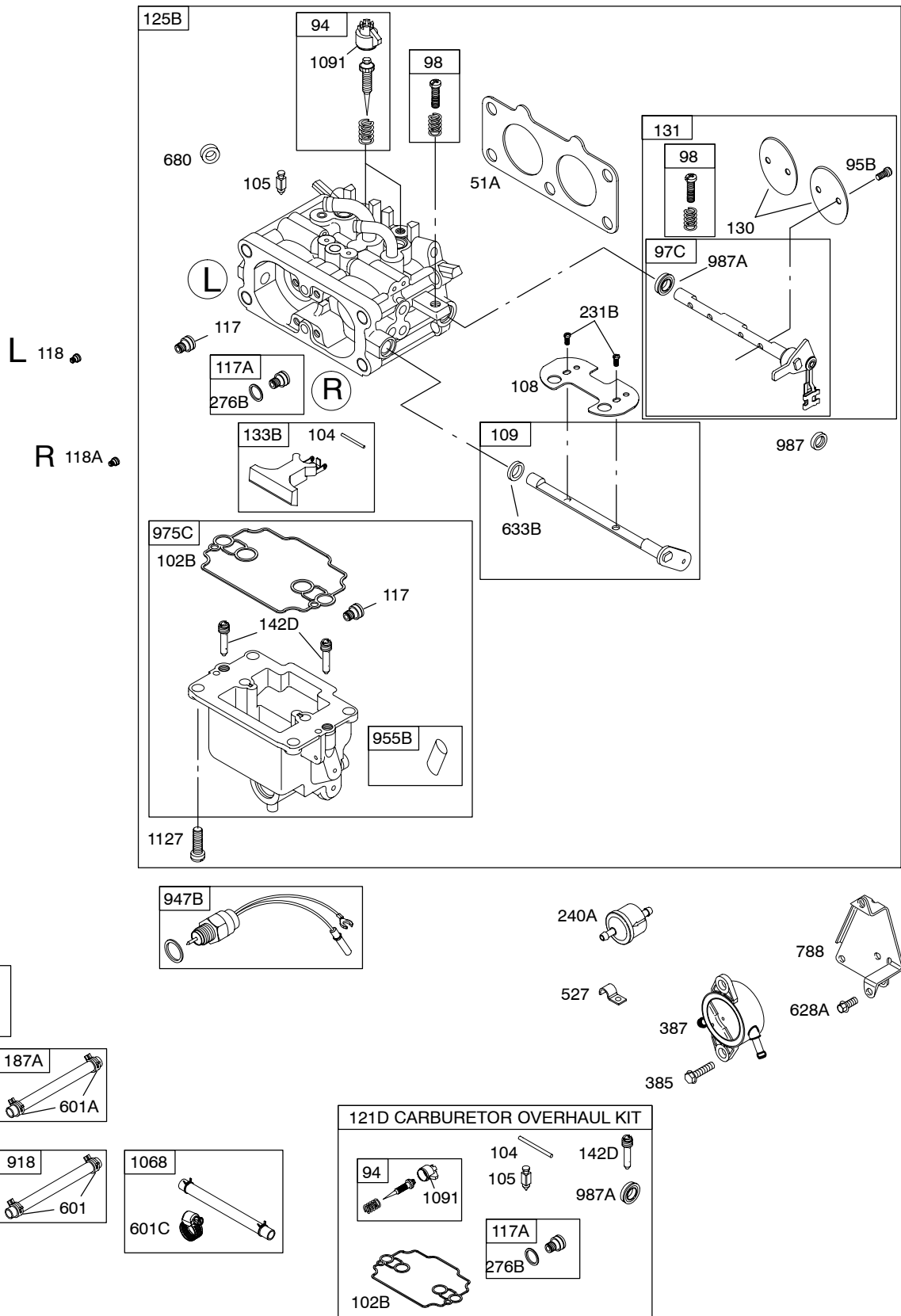
385700



- 1019 LABEL KIT
- 1330 REPAIR MANUAL
- 1058 OWNER'S MANUAL

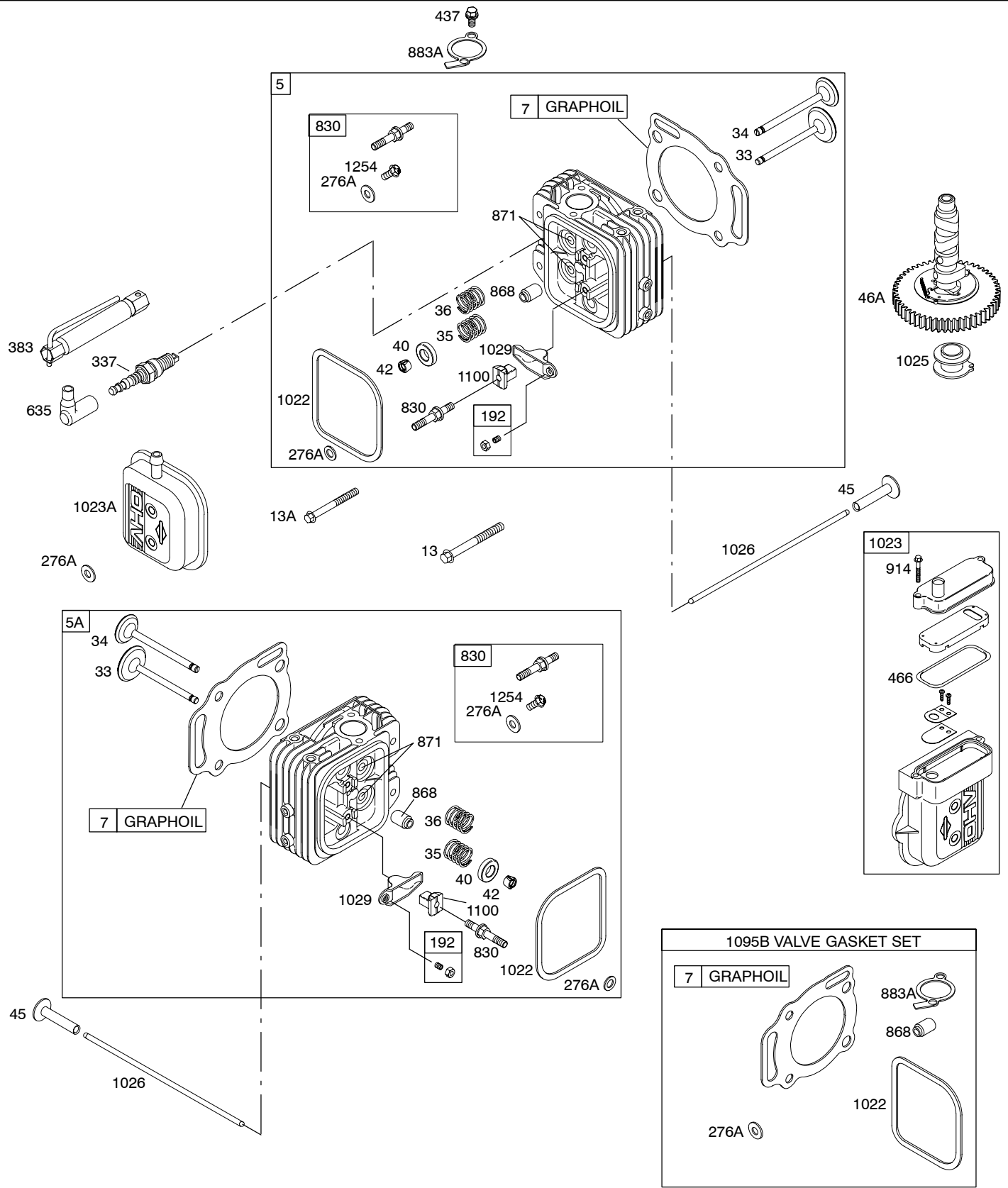


Illustrations cover a range of engines. Parts shown without corresponding text may not be used on your specific engine.
 5959-2 Assemblies include all parts shown in frames. 11/10/2005

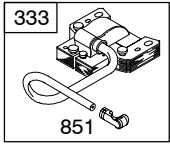
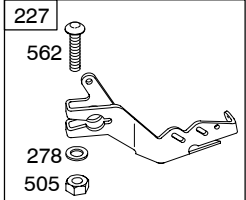
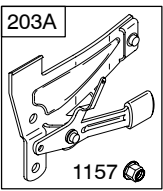
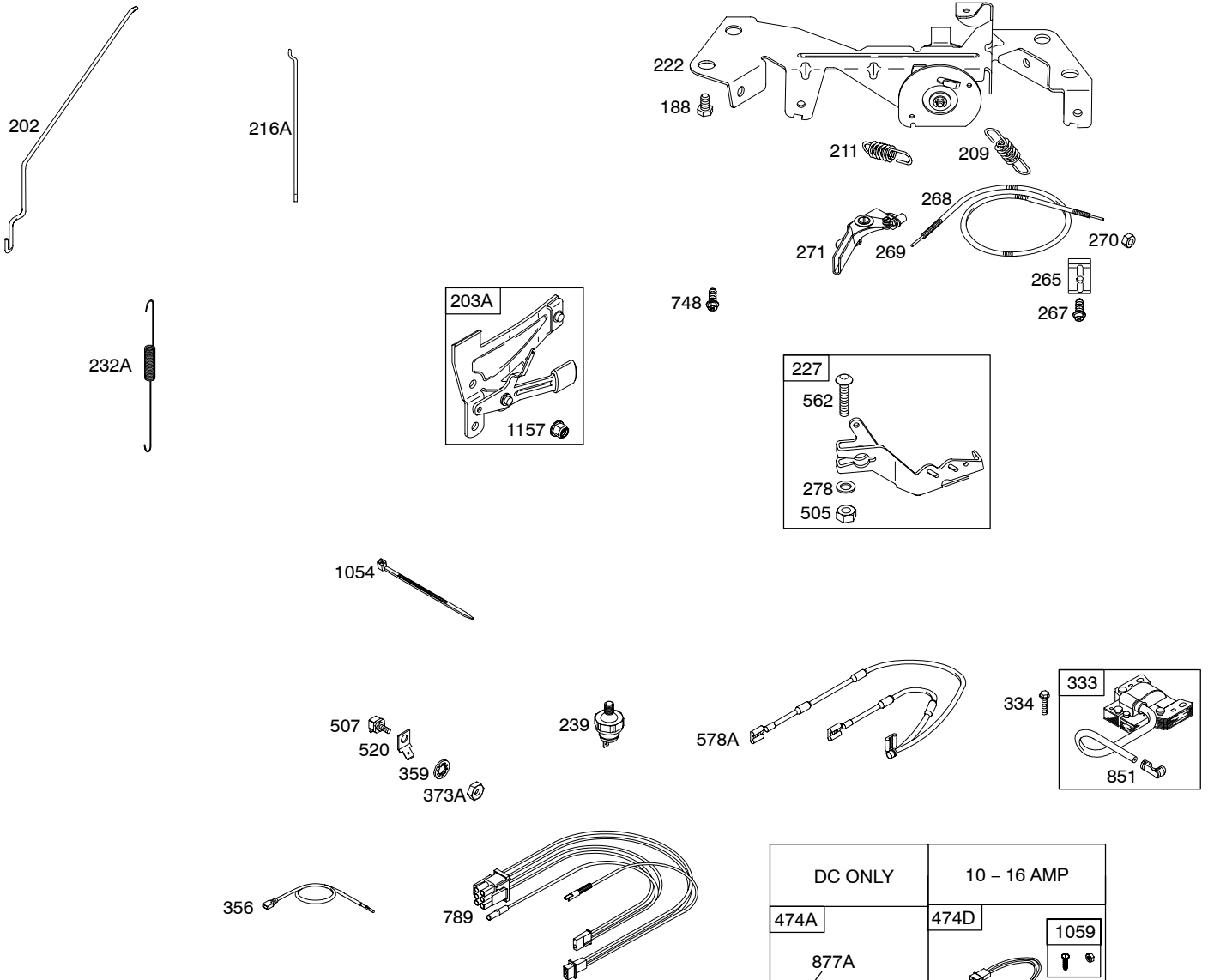


Illustrations cover a range of engines. Parts shown without corresponding text may not be used on your specific engine.
 5959-3 Assemblies include all parts shown in frames. 11/10/2005

385700



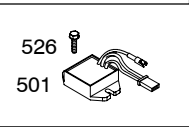
Illustrations cover a range of engines. Parts shown without corresponding text may not be used on your specific engine.
5959-4 Assemblies include all parts shown in frames. **11/10/2005**



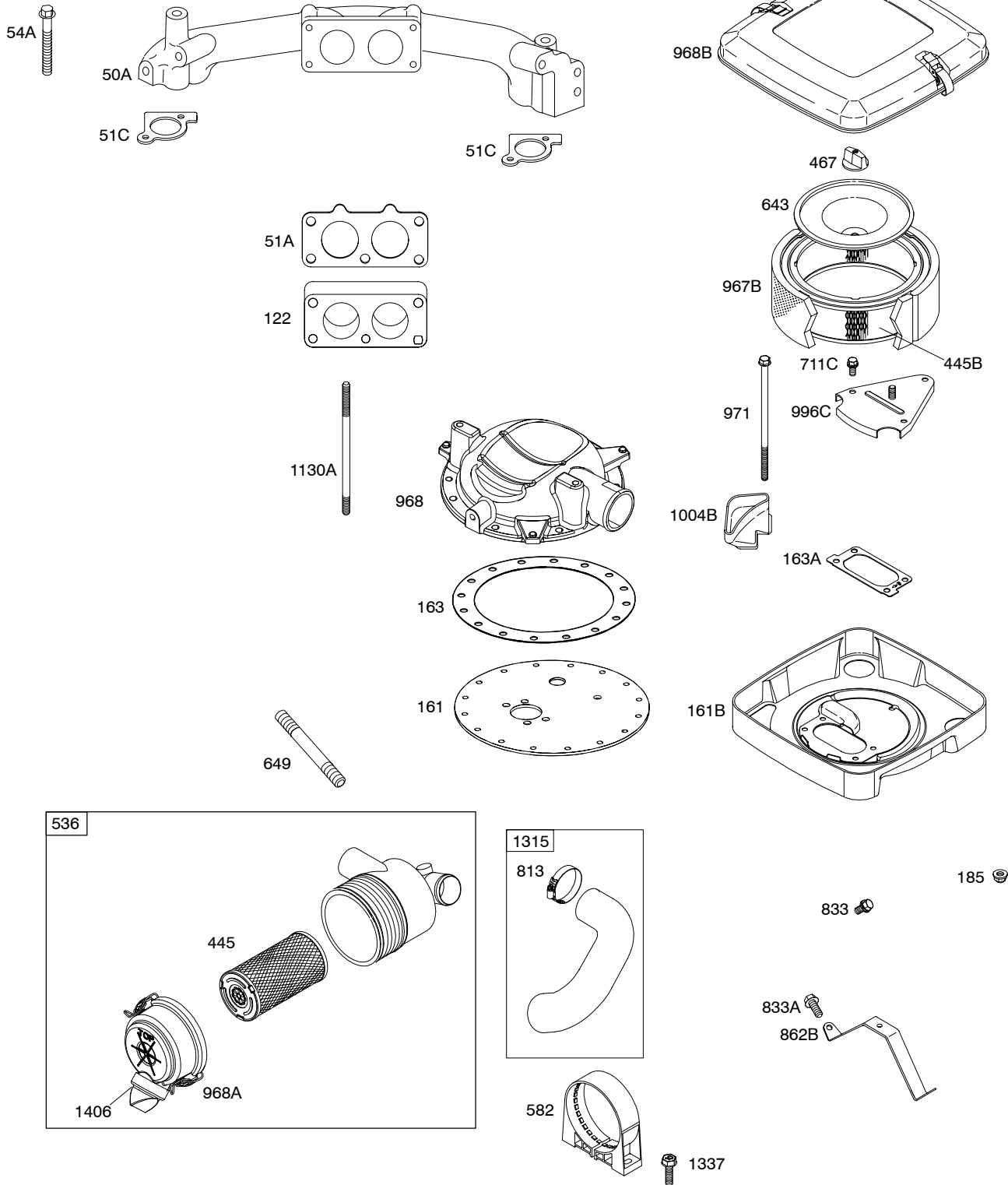
DC ONLY	10 - 16 AMP

NOTE: All stators use a No. 1119 mounting screw.

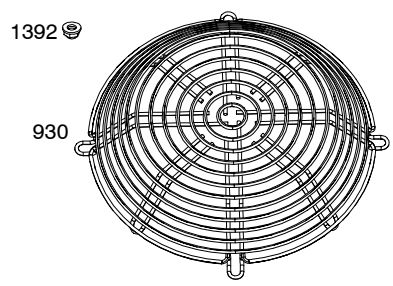
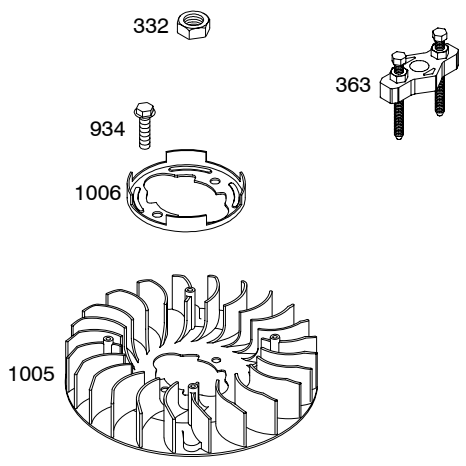
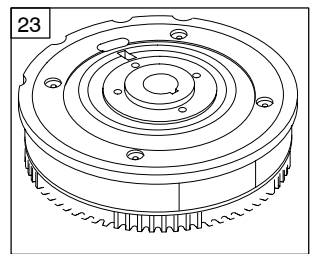
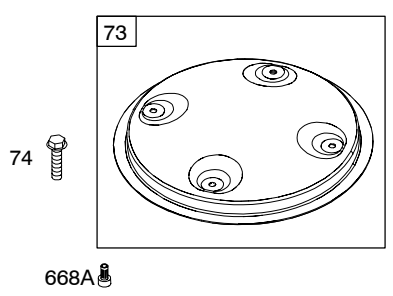
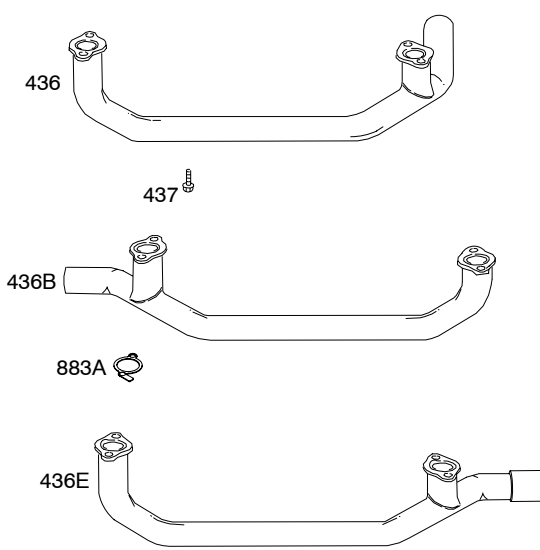
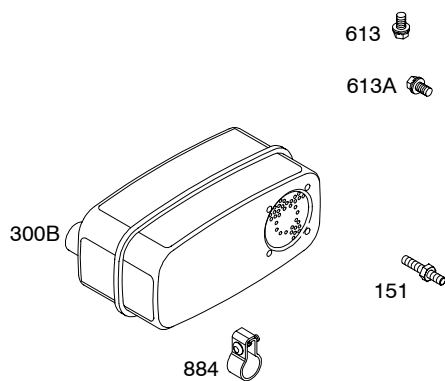
NOTE: The proper flywheel part number and/or the alternator magnet size will determine the alternator type or output. See repair instruction manual for additional information.



385700

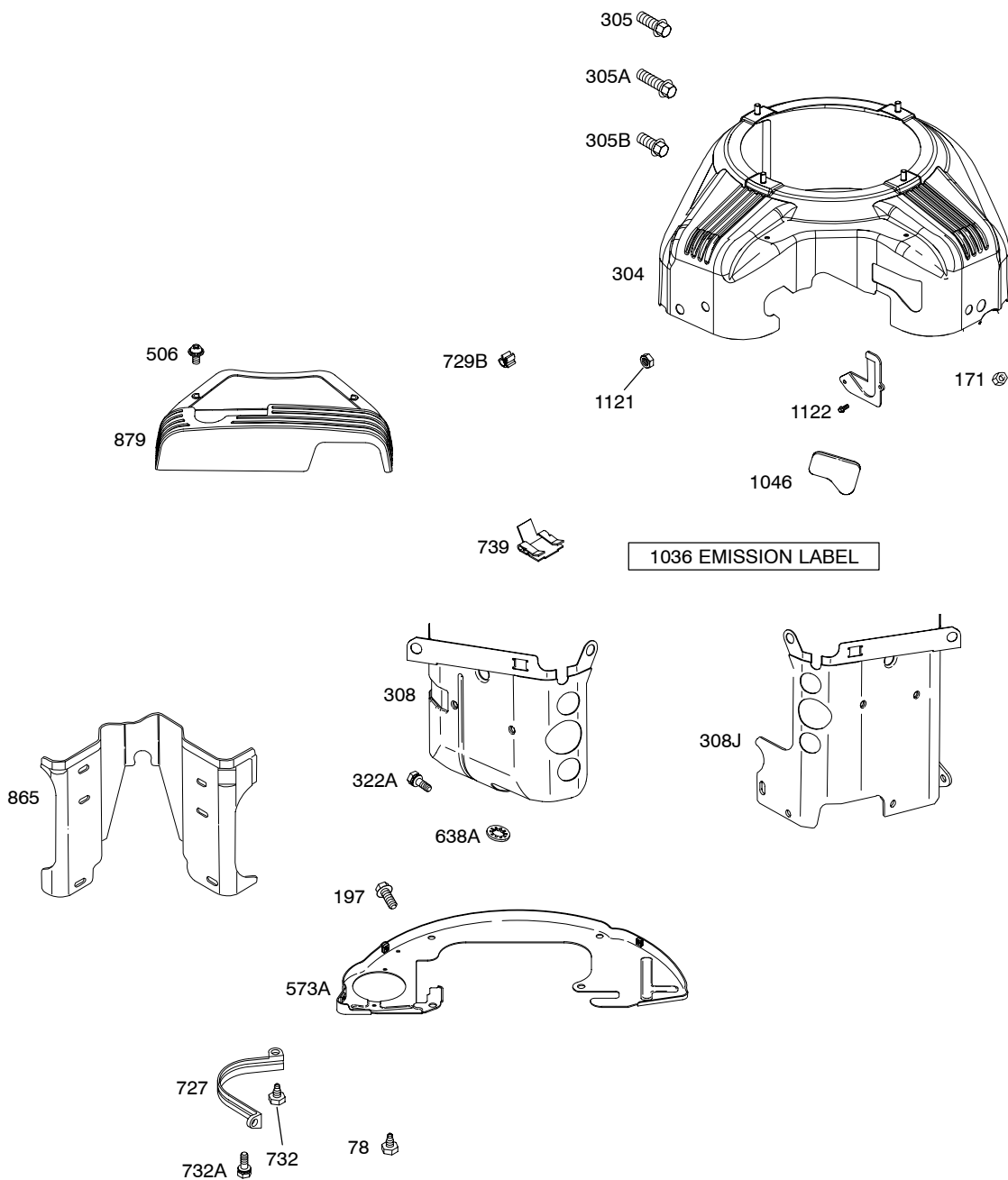


Illustrations cover a range of engines. Parts shown without corresponding text may not be used on your specific engine.
 5959-6 Assemblies include all parts shown in frames. 11/10/2005



Illustrations cover a range of engines. Parts shown without corresponding text may not be used on your specific engine.
5959-7 Assemblies include all parts shown in frames. **11/10/2005**

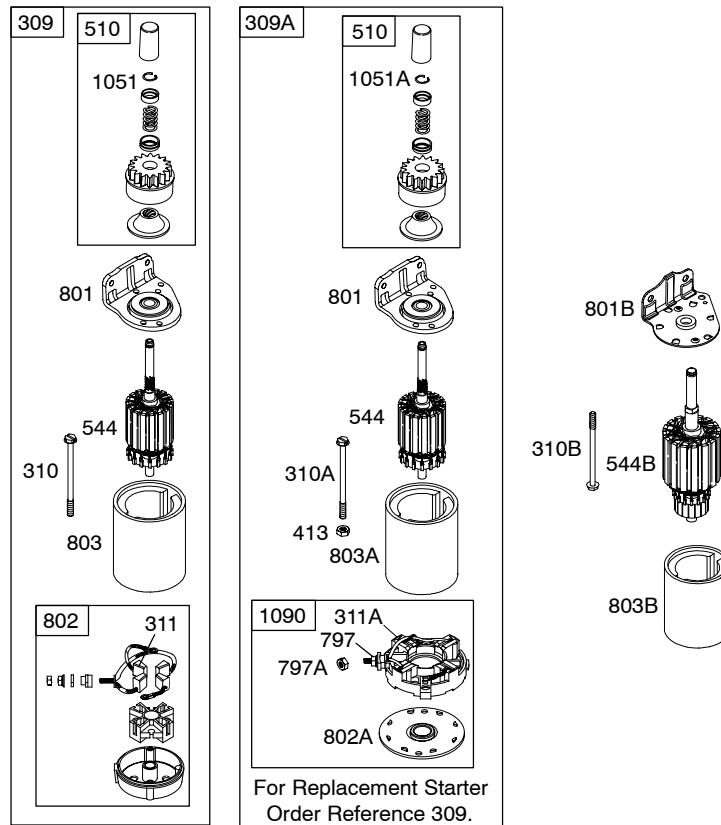
385700



Illustrations cover a range of engines. Parts shown without corresponding text may not be used on your specific engine.
5959-8 Assemblies include all parts shown in frames.

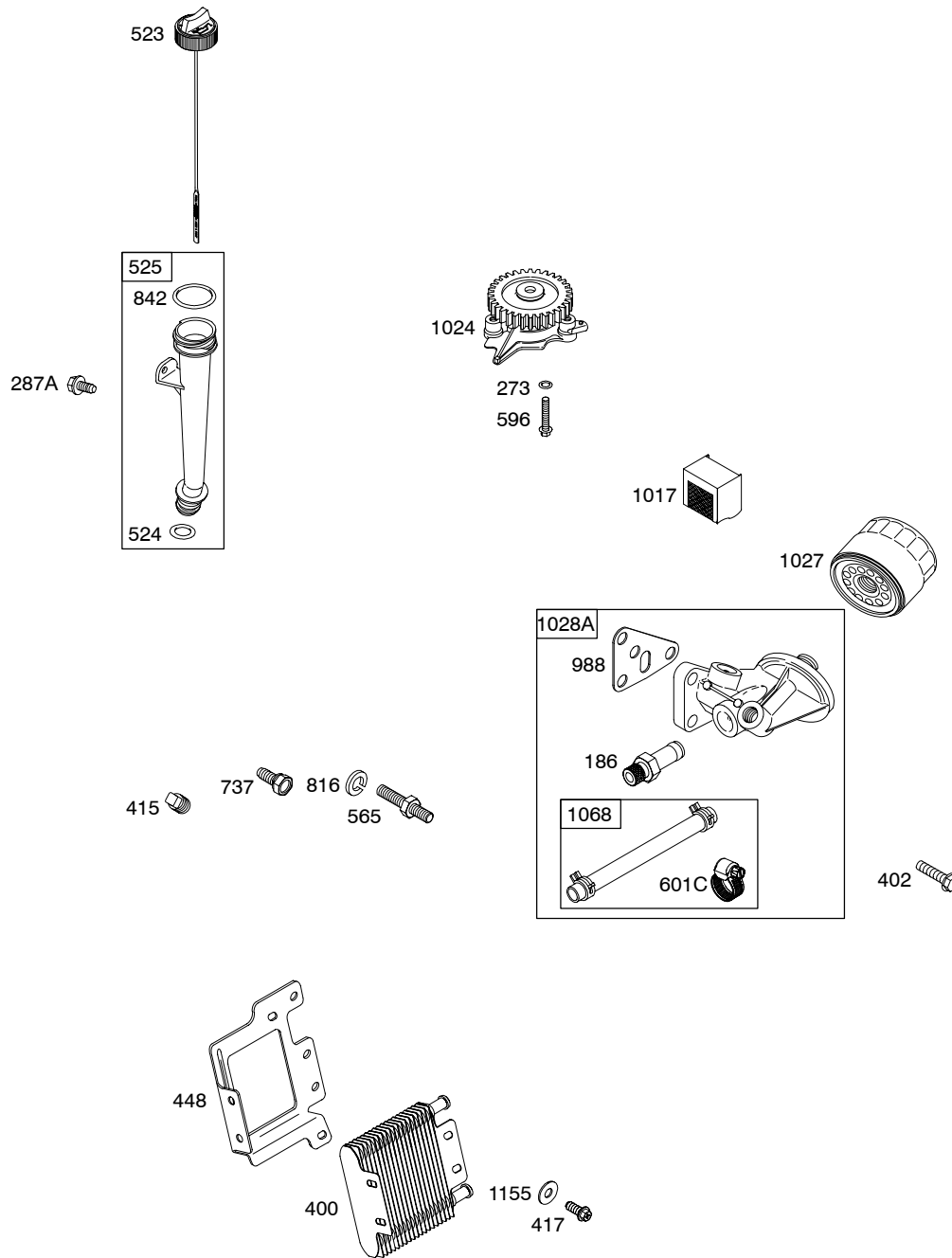
11/10/2005

697 



Illustrations cover a range of engines. Parts shown without corresponding text may not be used on your specific engine.
 5959-9 Assemblies include all parts shown in frames. 11/10/2005

385700



Illustrations cover a range of engines. Parts shown without corresponding text may not be used on your specific engine.

5959-10

Assemblies include all parts shown in frames.

11/10/2005

385700

REF. NO.	PART NO.	DESCRIPTION	REF. NO.	PART NO.	DESCRIPTION	REF. NO.	PART NO.	DESCRIPTION
1	842648	Cylinder Assembly (Used After Code Date 05073000). ----- Note ----- 808647 Cylinder Assembly (Used Before Code Date 05080100).	23	809236	Flywheel ----- Note ----- 841728 Flywheel Used on Type No(s). 0110, 0118.	97C	809630	Shaft-Throttle
2	808534	Kit-Bushing/Seal (Magneto Side)	25B	808527	Piston Assembly (Standard) ----- Note ----- 808652 Piston Assembly (.020" Oversize)	98	809716	Kit-Idle Speed
3	★805101s	Seal-Oil (Magneto Side)	26B	808528	Ring Set (Standard) ----- Note ----- 808661 Ring Set (.020" Oversize)	102B	●809645	Gasket-Carburetor Body
4	808846	Sump-Engine	27A	806378	Lock-Piston Pin	104	●690739	Pin-Float Hinge
5	842656	Head-Cylinder (Cylinder 1)	28B	808526	Pin-Piston	105	●809759	Valve-Float Needle
5A	842657	Head-Cylinder (Cylinder 2)	29A	808646	Rod-Connecting (Standard)	108	809643	Valve-Choke
7	★△842622	Gasket-Cylinder Head (Graphoil)	32	690698	Screw (Connecting Rod)	109	809710	Shaft-Choke
11B	806379	Tube-Breather	33	806419	Valve-Exhaust	117	842449	Jet-Main (Standard) (Left or Cylinder 1) Used on Type No(s). 0114.
12	★842589	Gasket-Crankcase	34	806420	Valve-Intake	117A	●809708	Jet-Main (Standard)
13	842618	Screw (Cylinder Head) (Used After Code Date 05073000).	35	692084	Spring-Valve (Intake)	118	809723	Jet-Main (High Altitude) ----- Note ----- 842450 Jet-Main (High Altitude) (6500 Ft.)
13A	806865	Screw (Cylinder Head) (Used Before Code Date 05080100).	36	692084	Spring-Valve (Exhaust)	118A	842449	Jet-Main (High Altitude) (5000 Ft.) Used on Type No(s). 0114.
15	690946	Plug-Oil Drain	40	692058	Retainer-Valve			842451 Jet-Main (High Altitude) (10,000 Feet) Used on Type No(s). 0114.
15A	691680	Plug-Oil Drain	42	807683	Keeper-Valve			----- Note ----- 809723 Jet-Main (High Altitude) (6500 Ft.) Used on Type No(s). 0114.
16	809809	Crankshaft ----- Note ----- 809830 Crankshaft Used on Type No(s). 0111, 0114, 0118. 809840 Crankshaft Used on Type No(s). 0116.	45	690977	Tappet-Valve			842450 Jet-Main (High Altitude) (10,000 Feet)
20	★805049s	Seal-Oil (PTO Side)	46A	690927	Camshaft	121D	842261	Kit-Carburetor Overhaul
22	807362	Screw (Crankcase Cover/Sump)	50A	806376	Manifold-Intake	122	690870	Spacer-Carburetor
			51A	★690950	Gasket-Intake	125B	841412	Carburetor ----- Note ----- 842460 Carburetor Used on Type No(s). 0114.
			51C	★△806418	Gasket-Intake (Manifold/Heads)			
			54A	806444	Screw (Intake Manifold)			
			73	841440	Screen-Rotating			
			74	841441	Screw (Rotating Screen)			
			78	690688	Screw (Flywheel Guard)			
			94	●809712	Kit-Idle Mixture			
			95B	690718	Screw (Throttle Valve)			

★ Included in Engine Gasket Set-Ref. No. 358.

● Included in Carburetor Overhaul Kit-Ref. No.121D.

△ Included in Valve Gasket Set-Ref. No. 1095B.

Illustrations cover a range of engines. Parts shown without corresponding text may not be used on your specific engine.

385700

REF. NO.	PART NO.	DESCRIPTION	REF. NO.	PART NO.	DESCRIPTION	REF. NO.	PART NO.	DESCRIPTION
130	809642	Valve-Throttle	192	807623	Adjuster-Rocker Arm	270	691027	Nut (Control Wire Casing)
131	842068	Kit-Throttle Shaft	202	690867	Link-Mechanical Governor	271	691028	Lever-Control
133B	809637	Float-Carburetor	203A	808753	Crank-Bell	273	★690681	Seal-O Ring (Oil Pump)
142D	●809709	Nozzle-Carburetor (Standard)	209	692071	Spring-Governor (White)	276	690704	Washer-Sealing (Governor Crank)
146	691639	Key-Timing	----- Note -----			276A	★△807085	Washer-Sealing (Carburetor Plug)
151	841185	Stud (Exhaust Manifold)	211	692069	Spring-Governor (Red)	276B	●806476	Washer-Sealing (Float Bowl)
161	841824	Base-Air Cleaner (Metal) Used on Type No(s). 0114.	216A	690871	Spring-Governor (Silver)	278	842122	Washer (Governor Control Lever)
161B	808676	Base-Air Cleaner (Metal)	222	808454	Bracket-Control	287A	807084	Screw (Dipstick Tube)
163	841823	Gasket-Air Cleaner Used on Type No(s). 0114.	227	690236	Lever-Governor Control	300B	498984s	Muffler Used on Type No(s). 0108, 0110.
163A	★692087	Gasket-Air Cleaner (Used With Metal Air Cleaner Base)	231B	690718	Spring-Governed Idle (Choke Valve)	304	841489	Housing-Blower
171	690941	Nut (Air Cleaner) Used on Type No(s). 0114.	232A	690874	Link-Choke	305	692056	Screw (Blower Housing) (14mm)
185	690939	Nut (Air Cleaner Base)	239	697049	Switch-Oil Pressure	305A	692062	Screw (Blower Housing) (18mm Long)
186	693184	Connector-Hose	----- Note -----			305B	841233	Screw (Blower Housing) (12 mm)
187	791766	Line-Fuel (Cut To Required Length)	240A	691035	Switch-Oil Pressure Used on Type No(s). 0118, 0119.	308	841183	Cover-Cylinder Head (Cylinder 2)
187A	791745	Line-Fuel (Cut To Required Length)	265	691024	Filter-Fuel (Includes Paper Element With A 40 Micron Rating)	308J	841182	Cover-Cylinder Head (Cylinder 1)
187C	791801	Line-Fuel (Molded)	267	692083	Clamp-Casing (Casing Clamp)	309	691564	Motor-Starter (Steel Ring Gear Only)
----- Note -----			268	691025	Clamp-Casing (Casing Clamp)	309A		Motor-Starter (For Replacement Starter Motor, Order Reference 309)
		842447 Line-Fuel (Cut To Required Length) Used on Type No(s). 0114.	269	691026	Casing-Control Wire (Cut To Required Length)	310	496880	Screw (Starter Motor)
188	692056	Screw (Control Bracket)			Wire-Control (Cut To Required Length)	310A	690323	Screw (Starter Motor)
						310B	691263	Screw (Starter Motor)

★ Included in Engine Gasket Set-Ref. No. 358.

△ Included in Valve Gasket Set-Ref. No. 1095B.

● Included in Carburetor Overhaul Kit-Ref. No.121D.

Illustrations cover a range of engines. Parts shown without corresponding text may not be used on your specific engine.

385700

REF. NO.	PART NO.	DESCRIPTION	REF. NO.	PART NO.	DESCRIPTION	REF. NO.	PART NO.	DESCRIPTION
311	496887	Brush Set	437	691902	Screw (Exhaust Manifold)	544B		Armature-Starter (Serviced By 691564 Starter Motor Only)
311A	497608	Brush Set	439	692154	Seal-O Ring (Crankcase Cover/Sump)	552	690701	Bushing-Governor Crank
322A	841233	Screw (Cylinder Head Cover)	445	820263	Filter-Air Cleaner Cartridge (Cylinder) Used on Type No(s). 0114.	552A	806686	Bushing-Governor Crank
332	690887	Nut (Flywheel)	445B	692519	Filter-Air Cleaner Cartridge (Round)	562	690239	Bolt (Governor Control Lever)
333	492341	Armature-Magneto	448	841488	Bracket-Oil Cooler	565	690682	Stud (Oil Filter Adapter)
334	692066	Screw (Magneto Armature)	466	806466	Seal-O Ring (Breather Assembly)	573A	841310	Plate-Back
337	491055s	Plug-Spark ----- Note ----- 792015 Plug-Spark Used on Type No(s). 0110, 0117, 0118.	467	691985	Knob-Air Cleaner	578	692306	Wire Assembly
356	807063	Wire-Stop	474A	696578	Alternator (DC Only) Used on Type No(s). 0110, 0118.	578A	692319	Wire Assembly (With Diodes)
357	691483	Key-Drive Pulley	474D	696458	Alternator (10 Amp Circuit)	582	807381	Clamp-Air Cleaner Used on Type No(s). 0114.
358	842658	Gasket Set-Engine	501	691185	Regulator (3 Wire)(10 Amp)	596	691492	Screw (Oil Pump)
359	691077	Washer (Ground Terminal)	505	690238	Nut (Governor Control Lever)	601	691038	Clamp-Hose (Black)
363	19203	Puller-Flywheel	506	807120	Screw (Carburetor Cover)	601A	841502	Clamp-Hose
373A	691612	Nut (Ground Terminal)	507	691972	Insulator	601C	691145	Clamp-Hose (Silver)
377	808095	Key-Woodruff	510	696541	Drive-Starter	613	692581	Screw (Muffler)
383	19374s	Wrench-Spark Plug ----- Note ----- 19576s Wrench-Spark Plug Used on Type No(s). 0110, 0118.	520	691084	Terminal-Ground	613A	690297	Screw (Muffler)
385	807084	Screw (Fuel Pump)	523	692101	Dipstick	615	691550	Retainer-Governor Shaft
387	808656	Pump-Fuel	524	692053	Seal-Dipstick Tube	616	806685	Crank-Governor
400	808657	Cooler-Oil	525	692093	Tube-Dipstick	628A	806660	Screw (Fuel Pump Bracket)
402	690679	Screw (Oil Filter Cover)	526	692067	Screw (Regulator)	633B	●690722	Seal-Choke/Throttle Shaft
413	693587	Nut (Starter Motor)	527	690423	Clamp-Tube	635	692076	Boot-Spark Plug
415	690283	Plug (Square Head)	529	690744	Grommet	638A	691551	Washer (Cylinder Cover) (Used Before Code Date 03110100).
417	810074	Screw (Oil Cooler)	536	825117	Cleaner-Air Used on Type No(s). 0114.	643	692079	Retainer-Air Filter
436	808916	Manifold-Exhaust	544		Armature-Starter (Service With 691564 Starter Motor Only)	649	842446	Stud (Air Cleaner Cover) Used on Type No(s). 0114.
436B	808909	Manifold-Exhaust Used on Type No(s). 0110, 0118.						
436E	805609	Manifold-Exhaust Used on Type No(s). 0116.						

★ Included in Engine Gasket Set-Ref. No. 358.

● Included in Carburetor Overhaul Kit-Ref. No.121D.

△ Included in Valve Gasket Set-Ref. No. 1095B.

Illustrations cover a range of engines. Parts shown without corresponding text may not be used on your specific engine.

385700

REF. NO.	PART NO.	DESCRIPTION	REF. NO.	PART NO.	DESCRIPTION	REF. NO.	PART NO.	DESCRIPTION		
668A	691500	Spacer (Knurled Insert)	833	807084	Screw (Air Cleaner Mounting Strap/Stud)	934	691058	Screw (Fan Retainer)		
691	690680	Seal-Governor Shaft			----- Note -----	947B	809632	Solenoid-Fuel		
697	692062	Screw (Drive Cap)			691593 Screw (Air Cleaner Mounting Strap/Stud)	955B	809640	Plug-Carburetor		
711C	691492	Screw (Carburetor Shield)			Used on Type No(s). 0114.	967B	692520	Filter-Pre Cleaner (Round)		
718B	806469	Pin-Locating	833A	841233	Screw (Air Cleaner Mounting Strap/Stud)	968	841822	Cover-Air Cleaner Used on Type No(s). 0114.		
727	841313	Cover-Starter Drive (Black)				968A	842620	Cover-Air Cleaner Used on Type No(s). 0114.		
729B	690586	Clip-Wire (Snap In)(Nylon)	842	691870	Seal-O Ring (Dipstick Tube)	968B	808654	Cover-Air Cleaner (Used With Metal Air Cleaner Base)		
732	690688	Screw (Starter Drive Cover)	851	493880s	Terminal-Spark Plug	971	690866	Screw (Air Cleaner Base to Carburetor)		
732A	841233	Screw (Starter Drive Cover)	862B	806440	Strap/Stud-Air Cleaner Mounting			----- Note -----		
737	690679	Screw (Oil Filter Adapter)	865	841312	Cover-Air Guide (Black)			807084 Screw (Air Cleaner Base to Carburetor)		
739	690451	Clip-Debris	868	★△691963	Seal-Valve			Used on Type No(s). 0114.		
741	691530	Gear-Timing	871	692057	Bushing-Valve Guide	975C	809717	Bowl-Float ----- Note ----- Bowl-Float (For Replacement, Order Reference 125B) Used on Type No(s). 0114.		
748	692083	Screw (Control Rod Clip)	877A	393814	Wire/Connector- Alternator (DC Only)			987	809644	Seal-Throttle Shaft
788	691559	Bracket-Fuel Pump	877C	399916	Wire/Connector- Alternator (2 Wires, 7-53/64" Long)(2 Bare Wire Ends, And Insulated Snap Connect Male Pin Terminal)	987A	●691000	Seal-Throttle Shaft		
789	698332	Harness-Wiring Used on Type No(s). 0117, 0119, 0349.	879	807460	Cover-Carburetor	988	★692063	Gasket-Oil Adapter		
797	693167	Nut (Brush Retainer)	883A	★△806425	Gasket-Exhaust	996C	690917	Shield-Carburetor		
797A	691029	Nut (Brush Retainer)	884	691956	Clamp-Muffler	1004B	690865	Duct-Air (Used With Metal Air Cleaner Base)		
801	808778	Cap-Drive	914	807084	Screw (Rocker Cover)			1005	841439	Fan-Flywheel (Used After Code Date 04011800). ----- Note -----
801B	691283	Cap-Drive			----- Note -----					809179 Fan-Flywheel (Used Before Code Date 04011900).
802	496813	Cap-End			807120 Screw (Rocker Cover) Used on Type No(s). 0114.					
802A	691286	Cap-End								
803	690854	Housing-Starter								
803A	693547	Housing-Starter								
803B		Housing-Starter (Serviced By 691564 Starter Motor Only)								
813	807377	Clamp Used on Type No(s). 0114.								
816	690706	Washer (Oil Filter Adapter)	918	393815	Hose-Vacuum (Cut To Required Length)					
830	809157	Stud-Rocker Arm	930	841490	Guard-Rewind					

★ Included in Engine Gasket Set-Ref. No. 358.

△ Included in Valve Gasket Set-Ref. No. 1095B.

● Included in Carburetor Overhaul Kit-Ref. No.121D.

Illustrations cover a range of engines. Parts shown without corresponding text may not be used on your specific engine.

385700

REF. NO.	PART NO.	DESCRIPTION	REF. NO.	PART NO.	DESCRIPTION	REF. NO.	PART NO.	DESCRIPTION
1006	690452	Retainer-Fan	1051	690736	Ring-Retaining	1135	806497	Washer
1017	690878	Screen-Oil Pump	1051A	691124	Ring-Retaining			(Crankcase
1019	808539	Kit-Label	1054	280275	Tie-Cable			Cover/Sump)
1022★△	806039s	Gasket-Rocker Cover	1058	276353	Operator's Manual	1155	806647	Washer
1023	808648	Cover-Rocker (Includes Breather Assembly)	1059	698516	Kit-Screw/Washer			(Oil Cooler)
1023A	691558	Cover-Rocker (Cylinder 1) (With Fuel Pump)	1068	841999	Hose/Clamp Assembly	1157	806447	Nut
1024	693186	Pump-Oil	1090	691293	Retainer-Brush			(Bell Crank)
1025	690689	Spool-Governor	1091	●691515	Cap-Limiter	1176	842067	Nut
1026	691836	Rod-Push (Intake)(Steel)	1095B	842659	Gasket Set-Valve			(Exhaust Manifold)
		----- Note -----	1100	791959	Pivot-Rocker Arm	1254	807084	Screw
1027	492932s	Filter-Oil (2 1/4" Long)	1119	691552	Screw (Alternator)			(Rocker Cover Stud)
1028A	808537	Adapter-Oil Filter	1121	810056	Nut (Fuel Pump Bracket)	1315	842445	Hose-Air Cleaner
1029	807323	Arm-Rocker	1122	93410	Screw (Blower Housing Adapter)			Used on Type No(s). 0114.
1036		Label-Emissions (Available from an Authorized Briggs & Stratton Service Dealer)	1127	809715	Screw (Float Bowl) (Mount Float Bowl To Carburetor Body)	1330	272144	Repair Manual
1046	841165	Plug-Blower Housing Used on Type No(s). 0114.	1130A	690869	Stud (Intake Manifold)	1337	841233	Screw
					----- Note -----			Air Cleaner Bracket
					842448 Stud (Intake Manifold) Used on Type No(s). 0114.			Used on Type No(s). 0114.

★ Included in Engine Gasket Set-Ref. No. 358.

● Included in Carburetor Overhaul Kit-Ref. No.121D.

△ Included in Valve Gasket Set-Ref. No. 1095B.

Illustrations cover a range of engines. Parts shown without corresponding text may not be used on your specific engine.
5959-15 Assemblies include all parts shown in frames. 11/10/2005