



**381700**

# Illustrated Parts List

## Model Series

# 381700

TYPE NUMBERS  
0030 through 0115.

### TABLE OF CONTENTS

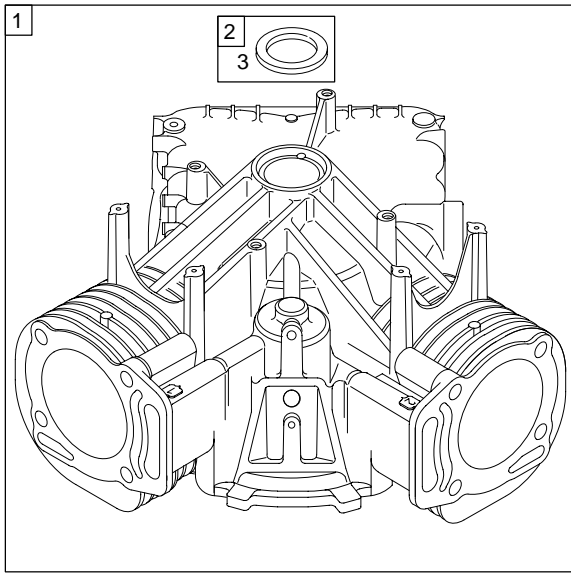
Air Cleaner .....	7
Alternator .....	6
Blower Housing .....	10
Camshaft .....	3
Carburetor .....	4
Controls .....	6
Crankshaft .....	3
Cylinder .....	2
Cylinder Head .....	5
Electric Starter .....	11
Engine Sump .....	2
Exhaust System .....	8
Flywheel .....	9
Fuel Supply .....	4
Gasket Set - Engine .....	2
Gasket Set - Valve .....	5
Governor Spring .....	6
Ignition .....	6
Intake Manifold .....	7
Kit - Carburetor Overhaul .....	4
Lubrication .....	12
Piston, Rings, Connecting Rod .....	2
Rewind Starter .....	8
Shrouds .....	10
Valves .....	5

PRINTED IN U.S.A.

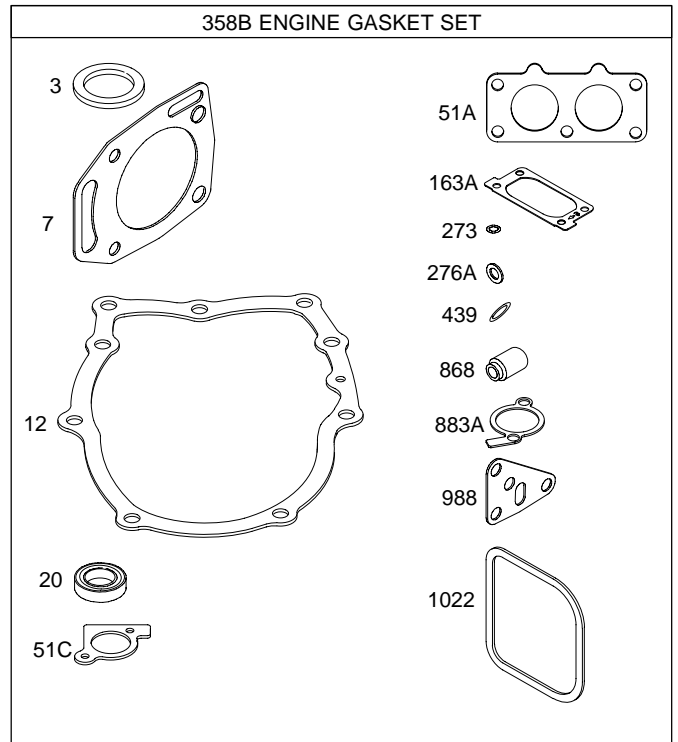
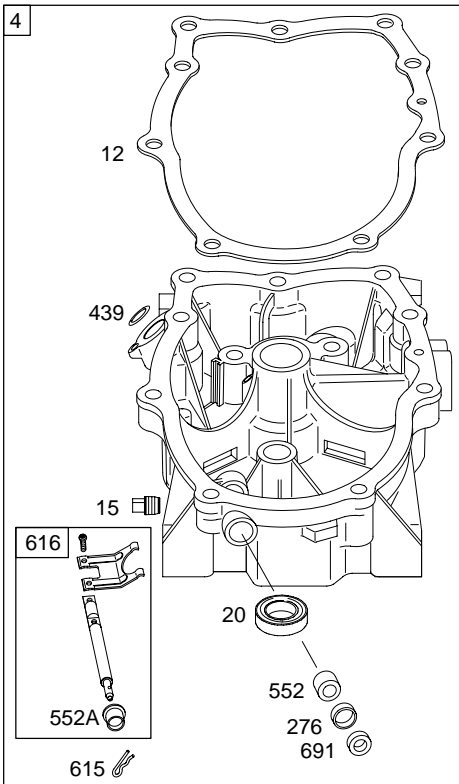
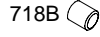
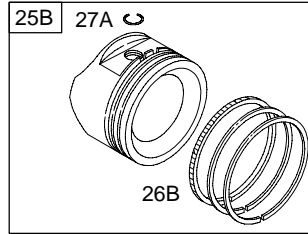
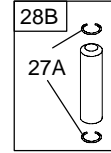
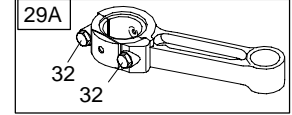
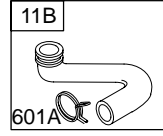


COPYRIGHT by BRIGGS & STRATTON CORPORATION  
All rights reserved. No part of this material may be reproduced or transmitted, in any form or by any means, electronic or mechanical, including photocopying, recording or by any information storage and retrieval system, without permission in writing from Briggs & Stratton Corporation.

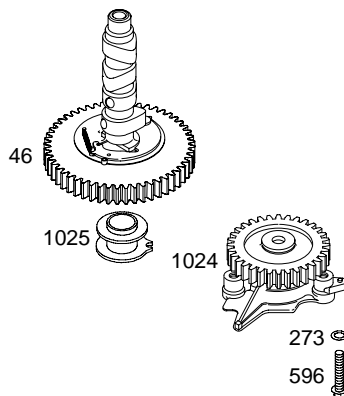
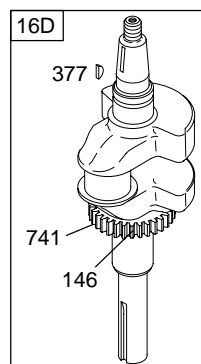
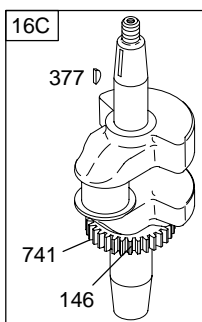
# 381700



- 1019 LABEL KIT
- 1330 REPAIR MANUAL
- 1058 OPERATOR'S MANUAL

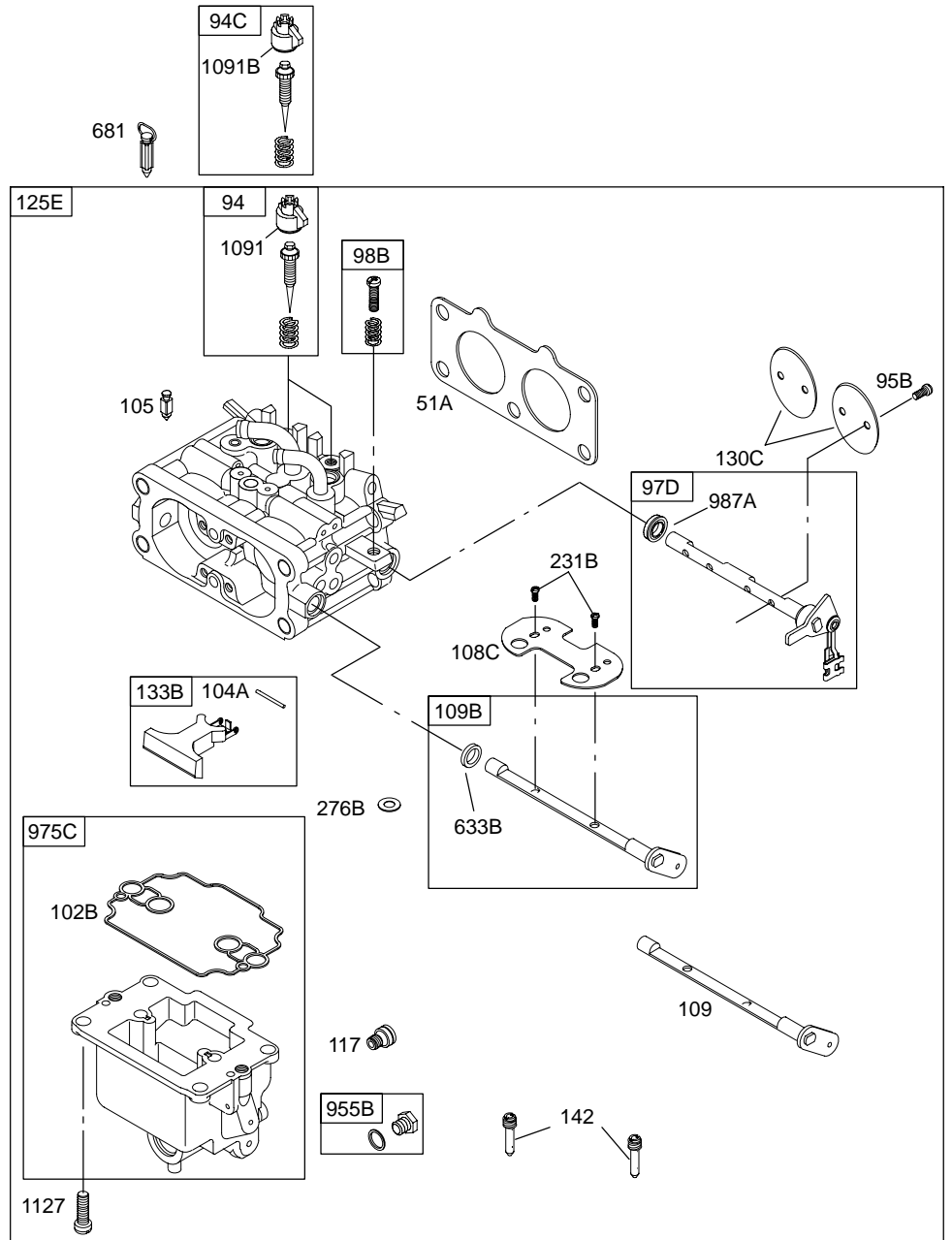
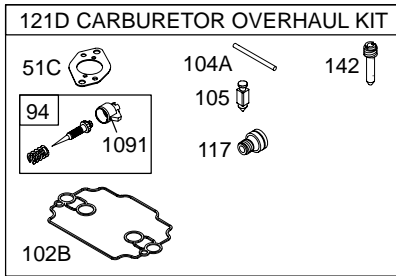
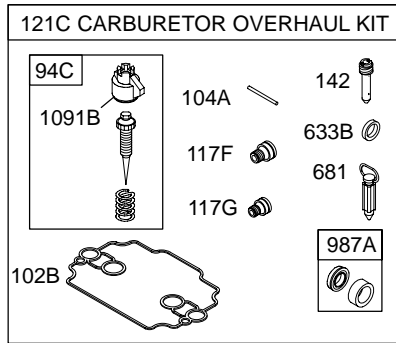


Illustrations cover a range of engines. Parts shown without corresponding text may not be used on your specific engine.  
 6078-2 Assemblies include all parts shown in frames. 08/01/2005



Illustrations cover a range of engines. Parts shown without corresponding text may not be used on your specific engine.  
6078-3 Assemblies include all parts shown in frames. 08/01/2005

# 381700

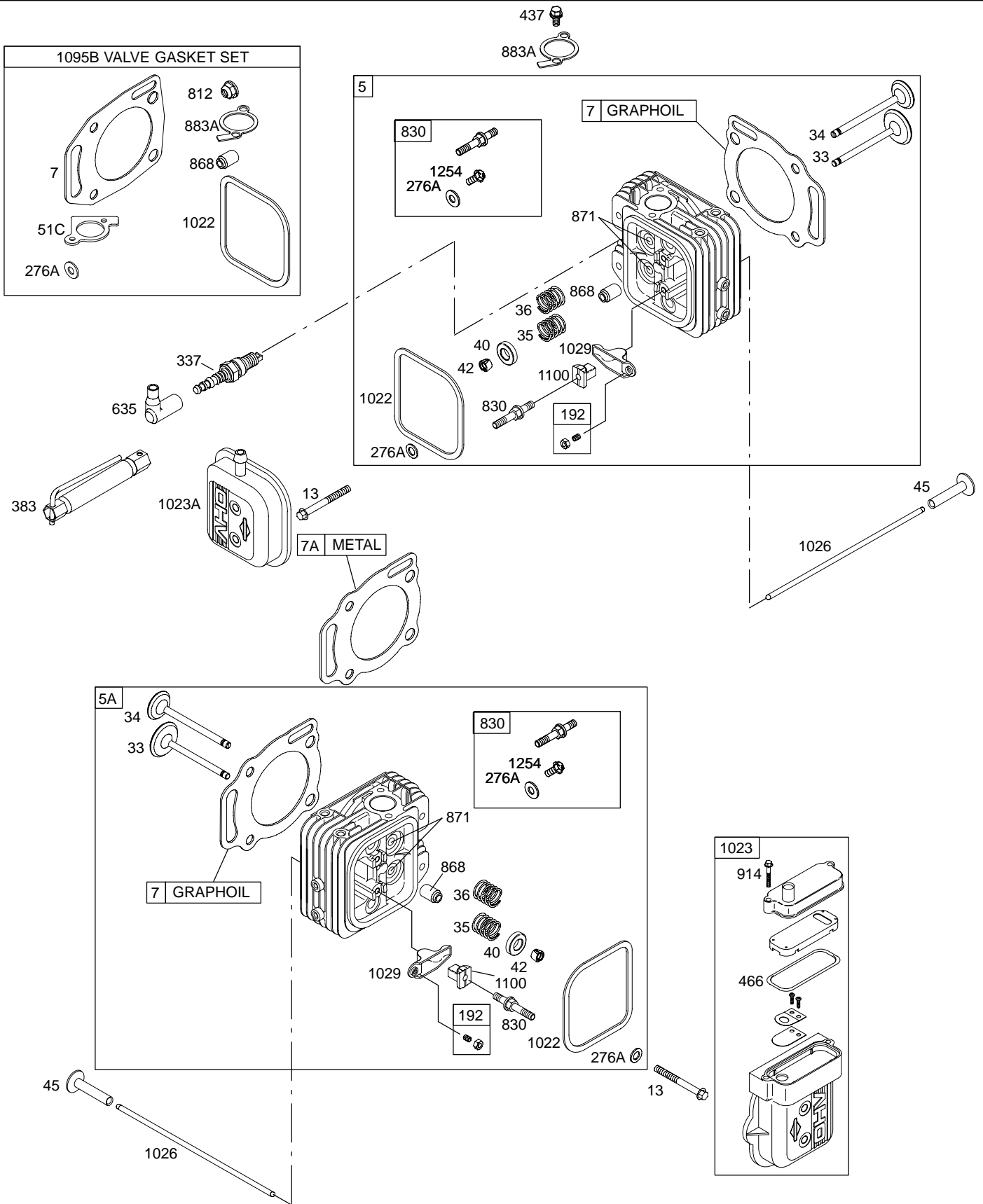


6078-4

*Illustrations cover a range of engines. Parts shown without corresponding text may not be used on your specific engine.*

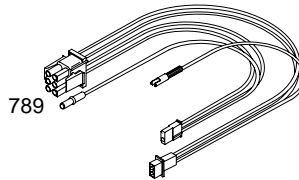
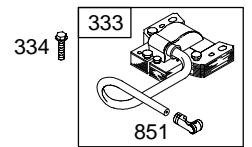
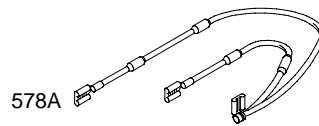
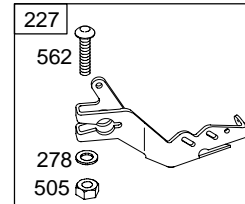
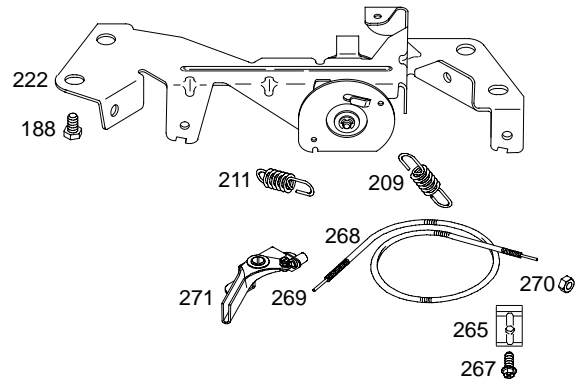
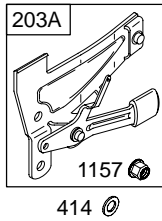
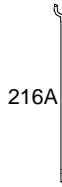
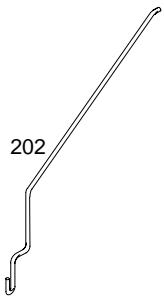
Assemblies include all parts shown in frames.

08/01/2005



Illustrations cover a range of engines. Parts shown without corresponding text may not be used on your specific engine.  
 6078-5 Assemblies include all parts shown in frames. 08/01/2005

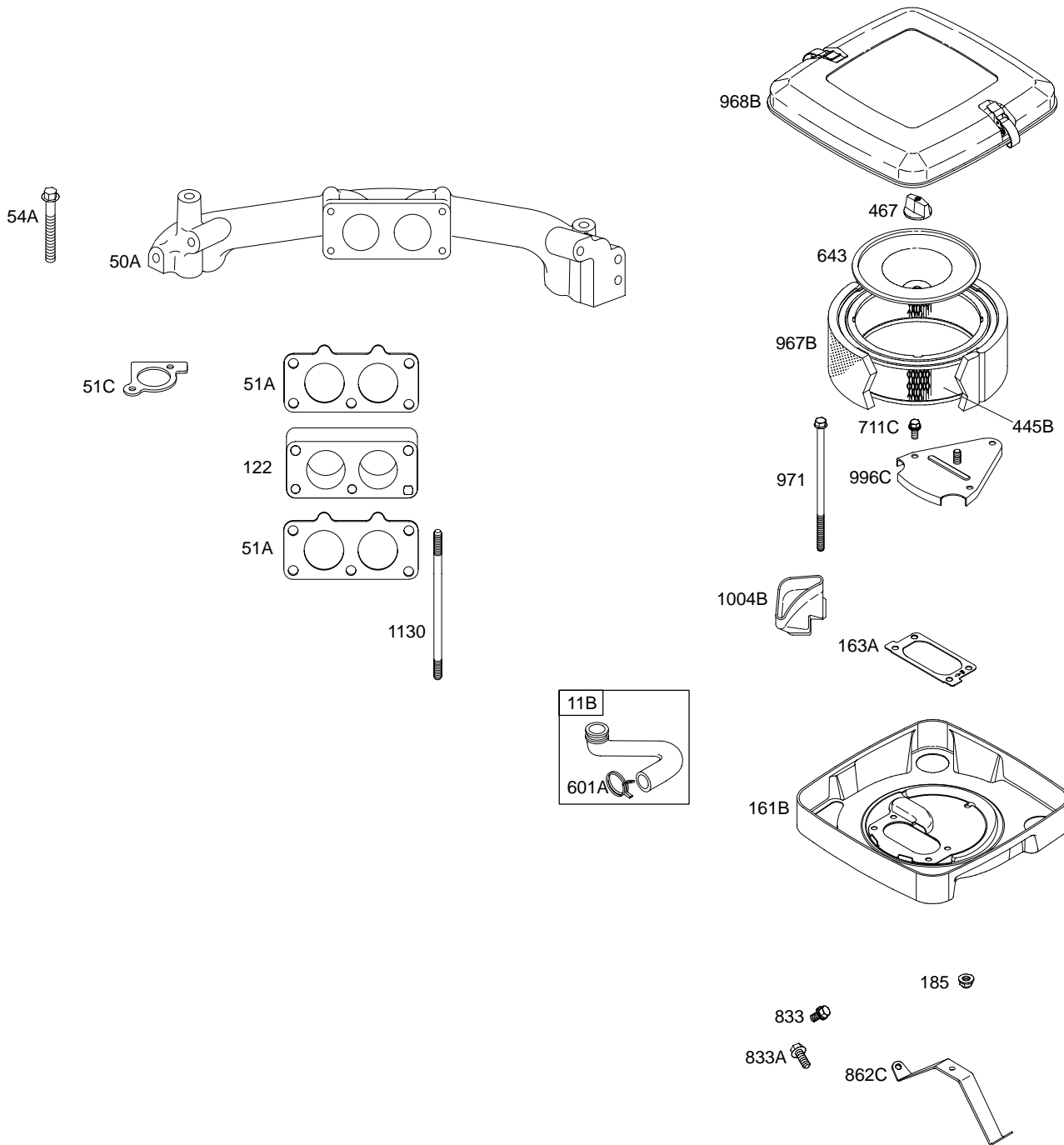
# 381700



10 - 16 AMP

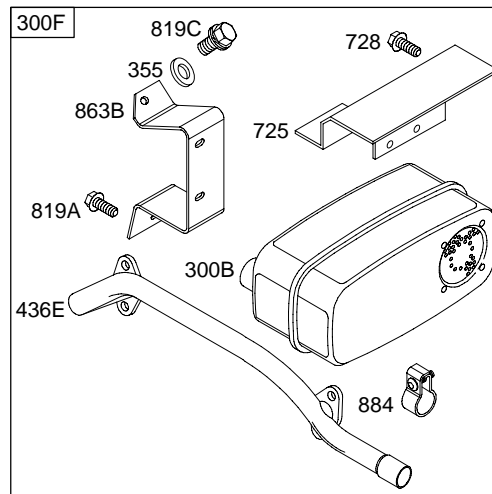
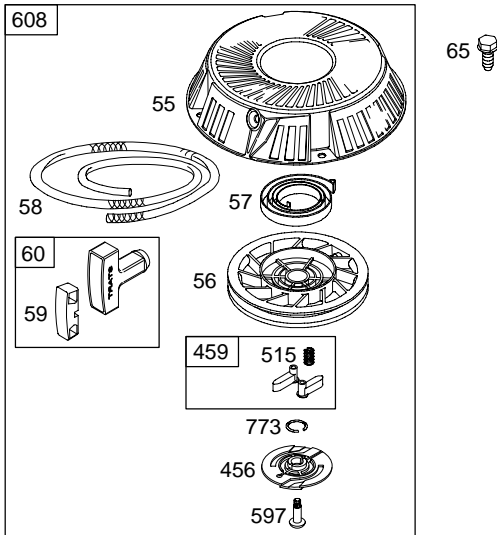
**NOTE:** All stators use a No. 1119 mounting screw.

**NOTE:** The proper flywheel part number and/or the alternator magnet size will determine the alternator type or output. See repair instruction manual for additional information.



Illustrations cover a range of engines. Parts shown without corresponding text may not be used on your specific engine.  
6078-7 Assemblies include all parts shown in frames. 08/01/2005

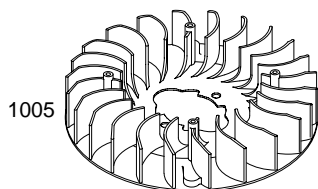
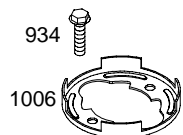
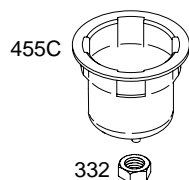
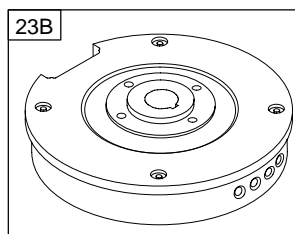
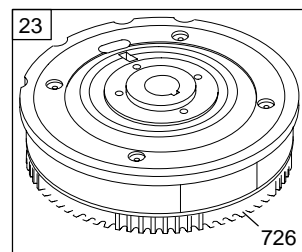
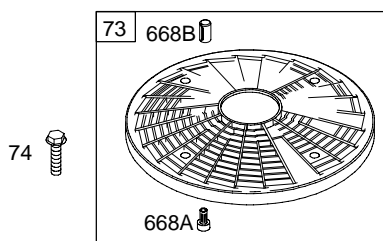
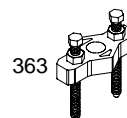
# 381700



613

Illustrations cover a range of engines. Parts shown without corresponding text may not be used on your specific engine.  
6078-8 Assemblies include all parts shown in frames. 08/01/2005

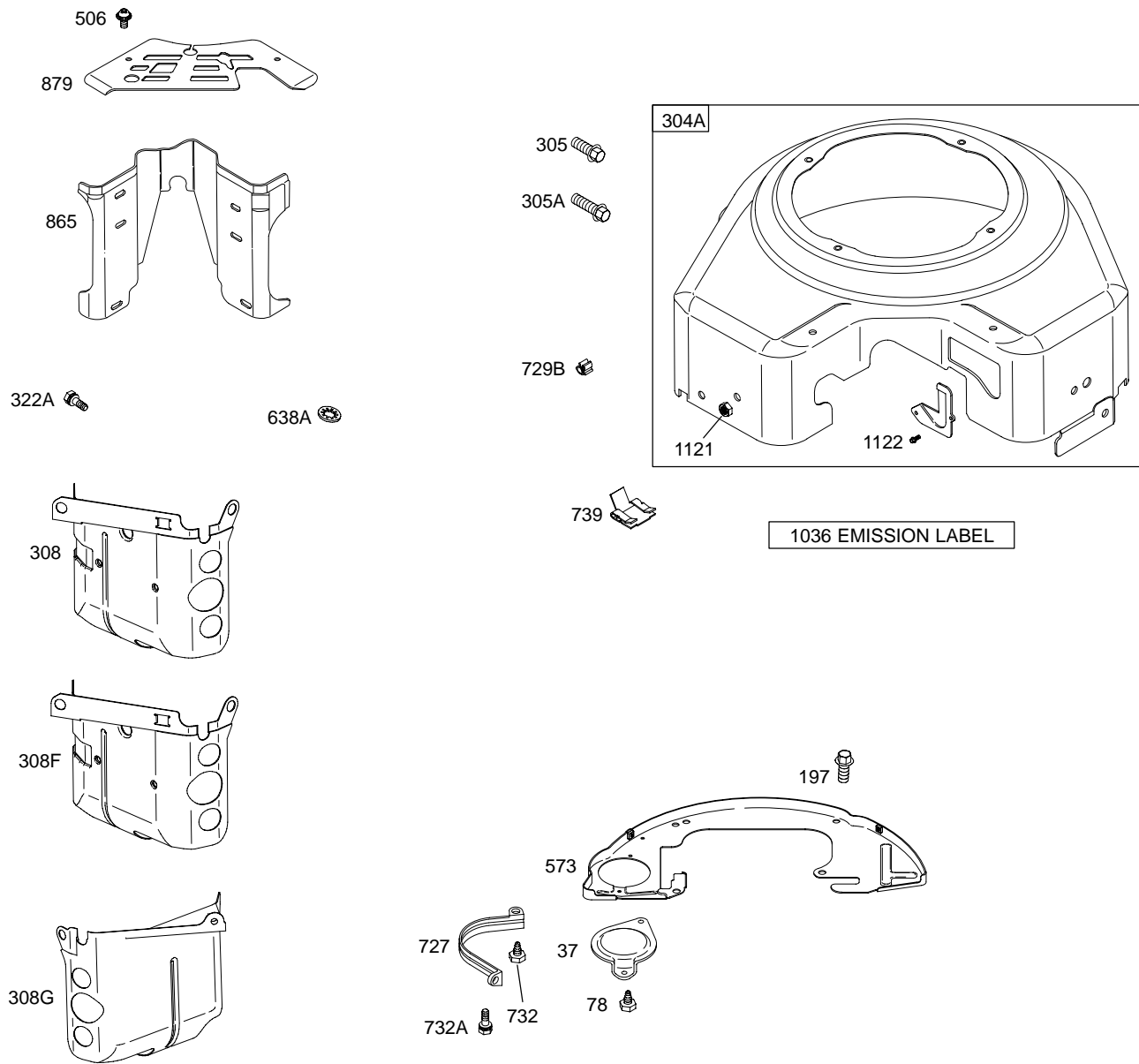




Illustrations cover a range of engines. Parts shown without corresponding text may not be used on your specific engine.  
6078-9 Assemblies include all parts shown in frames.

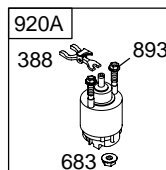
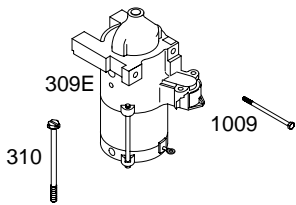
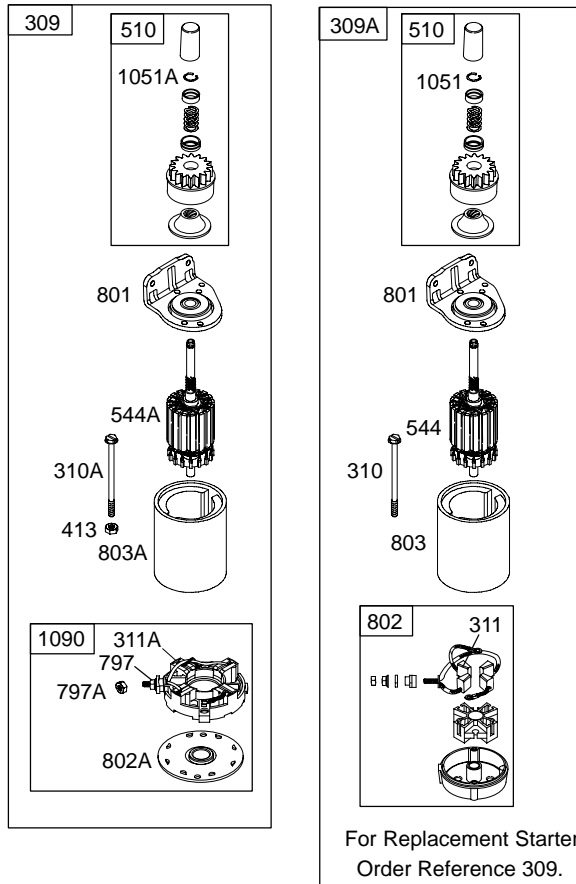
08/01/2005

# 381700



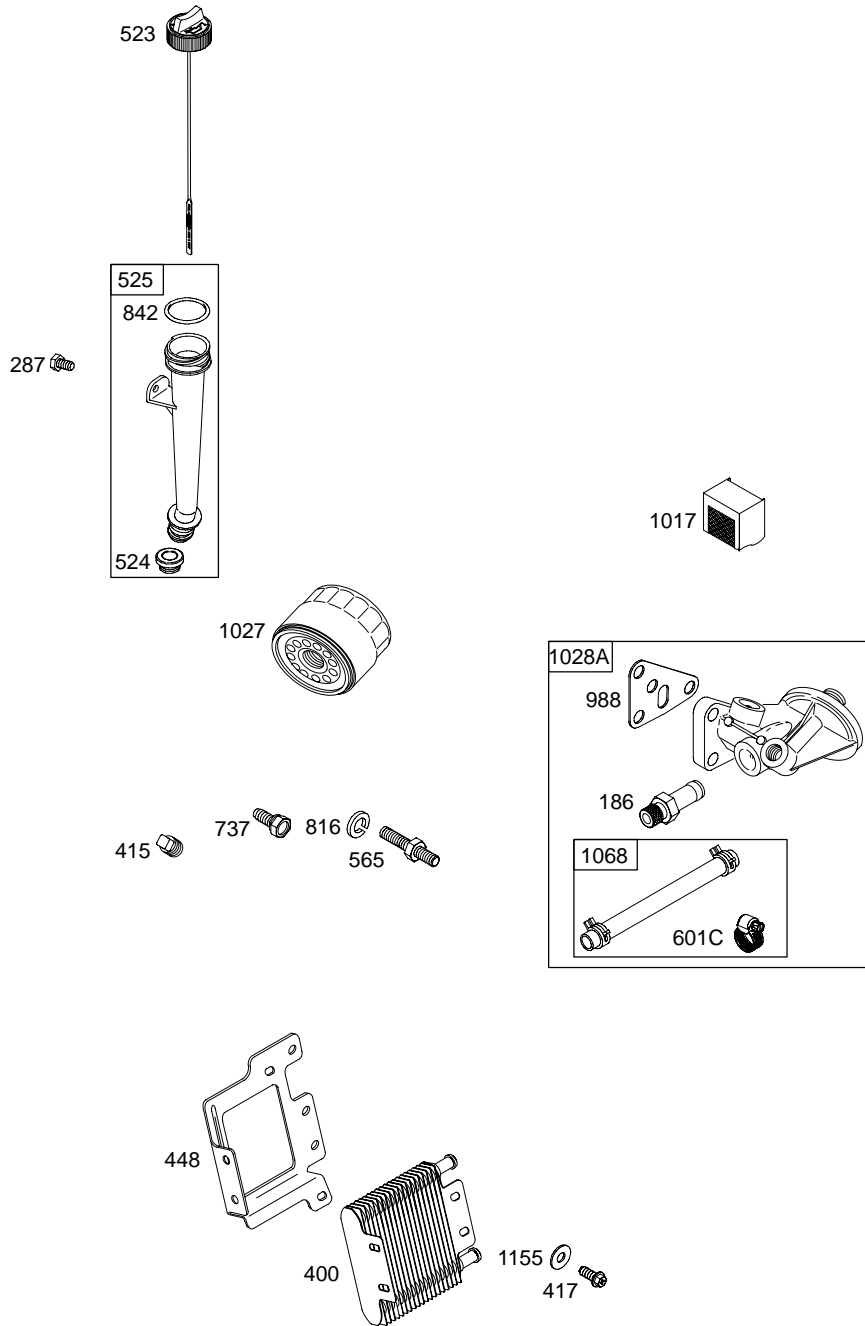
Illustrations cover a range of engines. Parts shown without corresponding text may not be used on your specific engine.  
6078-10 Assemblies include all parts shown in frames. 08/01/2005

697 



Illustrations cover a range of engines. Parts shown without corresponding text may not be used on your specific engine.  
6078-11 Assemblies include all parts shown in frames. 08/01/2005

# 381700



Illustrations cover a range of engines. Parts shown without corresponding text may not be used on your specific engine.  
6078-12 Assemblies include all parts shown in frames. 08/01/2005

**381700**

REF. NO.	PART NO.	DESCRIPTION	REF. NO.	PART NO.	DESCRIPTION	REF. NO.	PART NO.	DESCRIPTION
1	842648	Cylinder Assembly (Used After Code Date 05073100). ----- <b>Note</b> ----- 808647 Cylinder Assembly (Used Before Code Date 05080100). 842624 Cylinder Assembly (Used After Code Date 05073100). Used on Type No(s). 0110. 808809 Cylinder Assembly (Used Before Code Date 05080100). Used on Type No(s). 0110.	15	690946	Plug-Oil Drain (Square Head)	50A	806376	Manifold-Intake
			16C	809829	Crankshaft	51A	★690950	Gasket-Intake (Manifold/Carburetor Spacer)
			16D	809840	Crankshaft Used on Type No(s). 0115.	51C	★△806418	Gasket-Intake (Manifold/Heads)
			20	★805049	Seal-Oil (PTO Side)	54A	806444	Screw (Intake Manifold)
			22	807362	Screw (Crankcase Cover/Sump)	55	691568	Housing-Rewind Starter
			23	808768	Flywheel (Steel Ring Gear)	56	692085	Pulley-Starter
			23B	690922	Flywheel (Rewind Start)	57	692086	Spring-Rewind Starter
			25B	808527	Piston Assembly (Standard) ----- <b>Note</b> ----- 808652 Piston Assembly (.020" Oversize)	58	66574	Rope-Starter (Cut To Required Length)
						59	805957	Insert-Grip
						60	808167	Grip-Starter Rope
						65	691982	Screw (Rewind Starter)
2	808534	Kit-Bushing/Seal (Magneto Side)				73	494439	Screen-Rotating
3	★805101	Seal-Oil (Magneto Side)	26B	808528	Ring Set (Standard) ----- <b>Note</b> ----- 808661 Ring Set (.020" Oversize)	74	691647	Screw (Rotating Screen)
4	808846	Sump-Engine				78	690688	Screw (Flywheel Guard)
5	842656	Head-Cylinder (Cylinder 1)				94	●842613	Kit-Idle Mixture (Used After Code Date 05053100).
5A	842657	Head-Cylinder (Cylinder 2)	27A	806378	Lock-Piston Pin	94C	●808257	Kit-Idle Mixture (Used Before Code Date 05060100).
7	★△842622	Gasket-Cylinder Head (Graphoil)	28B	808526	Pin-Piston	95B	690718	Screw (Throttle Valve)
7A	805653	Gasket-Cylinder Head (Metal)	29A	808646	Rod-Connecting (Standard)	97D	809630	Shaft-Throttle (Used After Code Date 05053100).
11B	806379	Tube-Breather	32	690698	Screw (Connecting Rod)			----- <b>Note</b> ----- 808715 Shaft-Throttle (Used Before Code Date 05060100).
12	★842589	Gasket-Crankcase	33	806419	Valve-Exhaust			808715 Shaft-Throttle (Used Before Code Date 05060100).
13	842618	Screw (Cylinder Head) (Used After Code Date 05073100). ----- <b>Note</b> ----- 806865 Screw (Cylinder Head) (Used Before Code Date 05080100).	34	806420	Valve-Intake	98B	809716	Kit-Idle Speed (Used After Code Date 05053100). ----- <b>Note</b> ----- 808177 Kit-Idle Speed (Used Before Code Date 05060100).
			35	692084	Spring-Valve (Intake)			
			36	692084	Spring-Valve (Exhaust)			
			37	690715	Guard-Flywheel (Black)			
			40	692058	Retainer-Valve			
			42	807683	Keeper-Valve			
			45	690977	Tappet-Valve			
			46	690927	Camshaft			

★ Included in Engine Gasket Set-Ref. No. 358B.

● Included in Carburetor Overhaul Kit-Ref. No. 121C or 121D.

△ Included in Valve Gasket Set-Ref. No. 1095B.

**Illustrations cover a range of engines. Parts shown without corresponding text may not be used on your specific engine.**

6078-13

Assemblies include all parts shown in frames.

08/01/2005

# 381700

REF. NO.	PART NO.	DESCRIPTION	REF. NO.	PART NO.	DESCRIPTION	REF. NO.	PART NO.	DESCRIPTION
102B	●809645	Gasket-Carburetor Body (Used After Code Date 05053100). ----- <b>Note</b> ----- 693711 Gasket-Carburetor Body (Used Before Code Date 05060100).	118	809723	Jet-Main (High Altitude) (Used After Code Date 05053100). ----- <b>Note</b> ----- 842291 Jet-Main (High Altitude) (Left or Cylinder 1) (Used Before Code Date 05060100).	146	691639	Key-Timing
104A	●690739	Pin-Float Hinge (Used After Code Date 05053100). ----- <b>Note</b> ----- 690882 Pin-Float Hinge (Used Before Code Date 05060100).	121C	808816	Kit-Carburetor Overhaul (Used Before Code Date 05060100).	161B	808676	Base-Air Cleaner (Metal)
105	●809759	Valve-Float Needle (Used After Code Date 05053100).	121D	841139	Kit-Carburetor Overhaul (Used After Code Date 05053100).	163A	★692087	Gasket-Air Cleaner (Used With Metal Air Cleaner Base)
108C	809643	Valve-Choke (Used After Code Date 05053100). ----- <b>Note</b> ----- 806372 Valve-Choke (Used Before Code Date 05060100).	122	690870	Spacer-Carburetor	185	690939	Nut (Air Cleaner Base)
109	809710	Shaft-Choke (Used After Code Date 05053100).	125E	841412	Carburetor	186	693184	Connector-Hose
109B	808181	Shaft-Choke (Used Before Code Date 05060100).	130C	809642	Valve-Throttle (Used After Code Date 05053100). ----- <b>Note</b> ----- 690884 Valve-Throttle (Used Before Code Date 05060100).	187	791766	Line-Fuel (Cut To Required Length) (Used After Code Date 05070100). ----- <b>Note</b> ----- 691050 Line-Fuel (Cut To Required Length) (Used Before Code Date 05063000).
117	●809708	Jet-Main (Standard) (Used After Code Date 05053100).	133B	809637	Float-Carburetor (Used After Code Date 05053100). ----- <b>Note</b> ----- 808180 Float-Carburetor (Used Before Code Date 05060100).	188	692056	Screw (Control Bracket)
117F	●806374	Jet-Main (Standard) (Left or Cylinder 1) (Used Before Code Date 05060100).	142	●809709	Nozzle-Carburetor (Standard) (Used After Code Date 05053100). ----- <b>Note</b> ----- 806375 Nozzle-Carburetor (Standard) (Used Before Code Date 05060100).	192	807623	Adjuster-Rocker Arm
117G	●806373	Jet-Main (Standard) (Right Or Cylinder 2) (Used Before Code Date 05060100).				197	692056	Screw (Back Plate)
						202	690867	Link-Mechanical Governor
						203A	808753	Crank-Bell
						209	692070	Spring-Governor (Red) ----- <b>Note</b> ----- 692071 Spring-Governor (White) Used on Type No(s). 0112.
						211	692069	Spring-Governed Idle
						216A	690871	Link-Choke
						222	808454	Bracket-Control
						227	690236	Lever-Governor Control
						231B	690718	Screw (Choke Valve)

★ Included in Engine Gasket Set-Ref. No. 358B.

● Included in Carburetor Overhaul Kit-Ref. No. 121C.

△ Included in Valve Gasket Set-Ref. No. 1095B.

**Illustrations cover a range of engines. Parts shown without corresponding text may not be used on your specific engine.**

**381700**

REF. NO.	PART NO.	DESCRIPTION	REF. NO.	PART NO.	DESCRIPTION	REF. NO.	PART NO.	DESCRIPTION
232A	690874	Spring-Governor Link	304A	808658	Housing-Blower (Red)	334	692066	Screw (Magneto Armature)
240A	691035	Filter-Fuel (Includes Paper Element With A 40 Micron Rating)			----- <b>Note</b> -----	337	491055	Plug-Spark
265	691024	Clamp-Casing			808651 Housing-Blower (Black)	355	842122	Washer (Muffler Bracket)
267	692083	Screw (Casing Clamp)	305	692056	Screw (Blower Housing) (14mm)	357	691483	Key-Drive Pulley
268	691025	Casing-Control Wire (Cut To Required Length)	305A	692062	Screw (Blower Housing) (12 mm)	358B	808617	Gasket Set-Engine
269	691026	Wire-Control (Cut To Required Length)	308	841232	Cover-Cylinder Head (Cylinder 1)	359	691077	Washer (Ground Terminal)
270	691027	Nut (Control Wire Casing)	308F	841182	Cover-Cylinder Head (Cylinder 2)	363	19203	Puller-Flywheel
271	691028	Lever-Control	308G	806546	Cover-Cylinder Head (Cylinder 2) (Used After Code Date 98120100 and Before Code Date 03110100).	373A	691612	Nut (Ground Terminal)
273	★690681	Seal-O Ring (Oil Pump)			----- <b>Note</b> -----	377	808095	Key-Woodruff
276	690704	Washer-Sealing (Crankcase Cover/Sump)			692805 Cover-Cylinder Head (Cylinder 2) (Used Before Code Date 98113000).	383	19576	Wrench-Spark Plug
276A	★△807085	Washer-Sealing (Rocker Cover) (Used After Code Date 01120200).	309	691564	Motor-Starter (Steel Ring Gear Only)	385	693169	Screw (Fuel Pump)
		----- <b>Note</b> -----	309A		Motor-Starter (For Replacement Starter Motor, Order Reference 309)	387	808656	Pump-Fuel
		691766 Washer-Sealing (Rocker Cover) (Used Before Code Date 01120300).	309E	808726	Motor-Starter Used on Type No(s). 0110, 0115.	388	820799	Lever-Pinion Drive
276B	806476	Washer-Sealing (Used After Code Date 05053100).	310	496880	Screw (Starter Motor)	400	808657	Cooler-Oil
276E	690724	Washer-Sealing (Carburetor Plug) (Used Before Code Date 05060100).	310A	690323	Screw (Starter Motor)	413	693587	Nut (Starter Motor)
276F	693497	Washer-Sealing (Used Before Code Date 05060100).	311	496887	Brush Set	414	690344	Washer (Bell Crank)
278	842122	Washer (Governor Control Lever)	311A	497608	Brush Set	415	690283	Plug (Square Head)
287	692537	Screw (Dipstick Tube)	322A	841233	Screw (Cylinder Head Cover)	417	810074	Screw (Oil Cooler)
300B	498984	Muffler Used on Type No(s). 0112.	332	690887	Nut (Flywheel)	436E	808916	Manifold-Exhaust Used on Type No(s). 0112.
300F	807752	Muffler Used on Type No(s). 0112.	333	492341	Armature-Magneto	437	691902	Screw (Exhaust Manifold)
						439	★692154	Seal-O Ring (Crankcase Cover/Sump)
						445B	692519	Filter-Air Cleaner Cartridge (Round)
						448	806423	Bracket-Oil Cooler
						455C	690864	Cup-Flywheel
						456	691529	Plate-Pawl Friction
						459	808166	Pawl-Ratchet
						466	806466	Seal-O Ring (Breather Assembly)
						467	691985	Knob-Air Cleaner

★ Included in Engine Gasket Set-Ref. No. 358B.

● Included in Carburetor Overhaul Kit-Ref. No. 121C or 121D.

△ Included in Valve Gasket Set-Ref. No. 1095B.

**Illustrations cover a range of engines. Parts shown without corresponding text may not be used on your specific engine.**

6078-15

Assemblies include all parts shown in frames.

08/01/2005

# 381700

REF. NO.	PART NO.	DESCRIPTION	REF. NO.	PART NO.	DESCRIPTION	REF. NO.	PART NO.	DESCRIPTION
474D	696458	Alternator (10-16 Amp Regulated)	608	692102	Starter-Rewind	732A	841233	Screw (Starter Drive Cover)
501	691185	Regulator (3 Wire)(16 Amp)	613	691902	Screw (Muffler) Used on Type No(s). 0112.	737	690679	Screw (Oil Filter Adapter)
505	690238	Nut (Governor Control Lever)	615	691550	Retainer-Governor Shaft	739	690451	Clip-Debris
506	690677	Screw (Carburetor Cover)	616	806685	Crank-Governor (Used After Code Date 99072000).	741	691530	Gear-Timing
507	691972	Insulator	616A	690899	Crank-Governor (Used Before Code Date 99072100).	773	690875	Retainer (Pawl Friction Plate)
510	496881	Drive-Starter	628A	692062	Screw (Fuel Pump Bracket)	788	691559	Bracket-Fuel Pump
515	691528	Spring-Pawl	633B	690722	Seal-Choke/Throttle Shaft	789	698332	Harness-Wiring Used on Type No(s). 0111.
520	691084	Terminal-Ground (Brass)	635	692076	Boot-Spark Plug	797	693167	Nut (Brush Retainer)
523	692101	Dipstick	638A	691551	Washer (Cylinder Head Cover) (Used Before Code Date 03110100).	797A	691029	Nut (Brush Retainer)
524	692053	Seal-Dipstick Tube	643	692079	Retainer-Air Filter	801	808778	Cap-Drive
525	692093	Tube-Dipstick	668A	691500	Spacer (Knurled Insert)	802	496813	Cap-End
526	692067	Screw (Regulator)	668B	691215	Spacer	802A	691286	Cap-End
529	690744	Grommet	681	808798	Kit-Needle/Seat	803	690854	Housing-Starter
544	690855	Armature-Starter	683	820813	Nut (Starter Solenoid)	803A	693547	Housing-Starter
544A	693548	Armature-Starter	691	690680	Seal-Governor Shaft	812	Δ692055	Nut (Rocker Cover) (Used Before Code Date 01120300).
552	690701	Bushing-Governor Crank	697	692062	Screw (Drive Cap)	816	690706	Washer (Oil Filter Adapter)
552A	806686	Bushing-Governor Crank	711C	691492	Screw (Carburetor Shield)	819A	690297	Screw (Muffler Bracket)
562	690239	Bolt (Governor Control Lever)	718B	806469	Pin-Locating	819C	692537	Screw (Muffler Bracket)
565	690682	Stud (Oil Filter Adapter)	725	806102	Shield-Heat	830	809157	Stud-Rocker Arm
573	841310	Plate-Back ----- Note ----- 841127 Plate-Back Used on Type No(s). 0110.	726		Gear-Ring (Steel)(See Reference 23 for Service)	833	807084	Screw (Air Cleaner Mounting Strap/Stud)
578	692306	Wire Assembly	727	841313	Cover-Starter Drive (Black)	833A	841233	Screw (Air Cleaner Mounting Strap/Stud)
578A	692319	Wire Assembly (With Diodes)	728	690297	Screw (Heat Shield)	842	691870	Seal-O Ring (Dipstick Tube)
596	691492	Screw (Oil Pump)	729B	690586	Clip-Wire (Snap In)(Nylon)	851	493880	Terminal-Spark Plug
597	690876	Screw (Pawl Friction Plate)	732	690688	Screw (Starter Drive Cover) Used on Type No(s). 0112.	862C	806440	Strap/Stud-Air Cleaner Mounting
601B	95162	Clamp-Hose (Silver)				863B	805610	Bracket-Muffler
601C	691145	Clamp-Hose (Silver) ----- Note ----- 691038 Clamp-Hose (Black)				865	841312	Cover-Air Guide (Black)
						868	★Δ691963	Seal-Valve
						871	692057	Bushing-Valve Guide

★ Included in Engine Gasket Set-Ref. No. 358B.

● Included in Carburetor Overhaul Kit-Ref. No. 121C.

Δ Included in Valve Gasket Set-Ref. No. 1095B.

**Illustrations cover a range of engines. Parts shown without corresponding text may not be used on your specific engine.**

6078-16

Assemblies include all parts shown in frames.

08/01/2005



**381700**

REF. NO.	PART NO.	DESCRIPTION	REF. NO.	PART NO.	DESCRIPTION	REF. NO.	PART NO.	DESCRIPTION
<b>877C</b>	<b>399916</b>	Wire/Connector–Alternator (2 Wires, 7–53/64" Long)(2 Bare Wire Ends, And Insulated Snap Connect Male Pin Terminal)	<b>1005</b>	<b>690911</b>	Fan–Flywheel	<b>1051</b>	<b>690736</b>	Ring–Retaining
<b>879</b>	<b>690757</b>	Cover–Carburetor	<b>1006</b>	<b>690452</b>	Retainer–Fan	<b>1051A</b>	<b>691124</b>	Ring–Retaining
<b>883A</b>	<b>★Δ806425</b>	Gasket–Exhaust	<b>1009</b>	<b>806474</b>	Screw (Starter Motor)	<b>1054</b>	<b>280275</b>	Tie–Cable
<b>884</b>	<b>691956</b>	Clamp–Muffler (1 1/4" Inside Diameter)	<b>1017</b>	<b>690878</b>	Screen–Oil Pump	<b>1058</b>	<b>276353</b>	Operator's Manual
<b>893</b>	<b>820805</b>	Nut (Starter Solenoid)	<b>1019</b>	<b>808539</b>	Kit–Label	<b>1068</b>	<b>841999</b>	Hose/Clamp Assembly
<b>914</b>	<b>806421</b>	Screw (Rocker Cover)	<b>1022</b>	<b>★Δ806039</b>	Gasket–Rocker Cover	<b>1090</b>	<b>691293</b>	Retainer–Brush
<b>918</b>	<b>393815</b>	Hose–Vacuum (Cut To Required Length)	<b>1023</b>	<b>808648</b>	Cover–Rocker (Includes Breather Assembly)	<b>1091</b>	<b>●691515</b>	Cap–Limiter (Used After Code Date 05053100).
<b>920A</b>	<b>825418</b>	Solenoid–Starter	<b>1023A</b>	<b>691558</b>	Cover–Rocker (Cylinder 1) (With Fuel Pump)	<b>1091B</b>	<b>●691516</b>	Cap–Limiter (Used Before Code Date 05060100).
<b>934</b>	<b>691058</b>	Screw (Fan Retainer)	<b>1024</b>	<b>693186</b>	Pump–Oil	<b>1095B</b>	<b>808619</b>	Gasket Set–Valve
<b>947D</b>	<b>809632</b>	Solenoid–Fuel (Used After Code Date 05053100). ----- <b>Note</b> ----- <b>808624</b> Solenoid–Fuel (Used Before Code Date 05060100).	<b>1025</b>	<b>690689</b>	Spool–Governor	<b>1100</b>	<b>690973</b>	Pivot–Rocker Arm
<b>955A</b>	<b>809640</b>	Plug–Carburetor (M9) (Used After Code Date 05053100). ----- <b>Note</b> ----- <b>807723</b> Plug–Carburetor (M9) (Used Before Code Date 05060100).	<b>1026</b>	<b>691836</b>	Rod–Push (Intake)(Steel) ----- <b>Note</b> ----- <b>691758</b> Rod–Push (Exhaust)(Aluminum)	<b>1119</b>	<b>691552</b>	Screw (Alternator)
<b>955B</b>	<b>808176</b>	Plug–Carburetor (M12)	<b>1027</b>	<b>492932</b>	Filter–Oil (2 1/4" Long)	<b>1121</b>	<b>810056</b>	Nut (Fuel Pump Bracket)
<b>967B</b>	<b>692520</b>	Filter–Pre Cleaner (Round)	<b>1028A</b>	<b>808537</b>	Adapter–Oil Filter	<b>1122</b>	<b>93410</b>	Screw (Blower Housing Adapter)
<b>968B</b>	<b>808654</b>	Cover–Air Cleaner (Used With Metal Air Cleaner Base)	<b>1029</b>	<b>807323</b>	Arm–Rocker	<b>1127</b>	<b>809715</b>	Screw (Float Bowl)(Mount Float Bowl To Carburetor Body) (Used After Code Date 05053100). ----- <b>Note</b> ----- <b>690885</b> Screw (Float Bowl)(Mount Float Bowl To Carburetor Body) (Used Before Code Date 05060100).
<b>971</b>	<b>690866</b>	Screw (Air Cleaner Base to Carburetor)	<b>1036</b>		Label–Emissions (Available from Authorized Briggs & Stratton Service Dealer) (Used After Code Date 05071700). ----- <b>Note</b> ----- <b>841642</b> Label–Emissions (Used After Code Date 04063000 and Before Code Date 05071800). <b>806889</b> Label–Emissions (Used After Code Date 00063000 and Before Code Date 04070100). <b>806699</b> Label–Emissions (Used After Code Date 99093000 and Before Code Date 00070100). <b>806644</b> Label–Emissions (Used After Code Date 98123100 and Before Code Date 99100100). <b>692817</b> Label–Emissions (Used Before Code Date 99010100).	<b>1130</b>	<b>690869</b>	Stud (Intake Manifold)
<b>975C</b>	<b>808628</b>	Bowl–Float				<b>1135</b>	<b>806497</b>	Washer (Crankcase Cover/Sump)
<b>987A</b>	<b>●691000</b>	Seal–Throttle Shaft				<b>1155</b>	<b>806647</b>	Washer (Oil Cooler)
<b>988</b>	<b>★692063</b>	Gasket–Oil Adapter				<b>1157</b>	<b>806447</b>	Nut (Bell Crank)
<b>996C</b>	<b>690917</b>	Shield–Carburetor				<b>1254</b>	<b>807084</b>	Screw (Rocker Cover Stud) (Used After Code Date 01120200).
<b>1004B</b>	<b>690865</b>	Duct–Air (Used With Metal Air Cleaner Base)				<b>1330</b>	<b>272144</b>	Repair Manual

★ Included in Engine Gasket Set–Ref. No. 358B.  
● Included in Carburetor Overhaul Kit–Ref. No. 121C or 121D.

Δ Included in Valve Gasket Set–Ref. No. 1095B.

**Illustrations cover a range of engines. Parts shown without corresponding text may not be used on your specific engine.**