



380400

Illustrated Parts List

Model Series

380400

TYPE NUMBERS
0024 through 0217.

TABLE OF CONTENTS

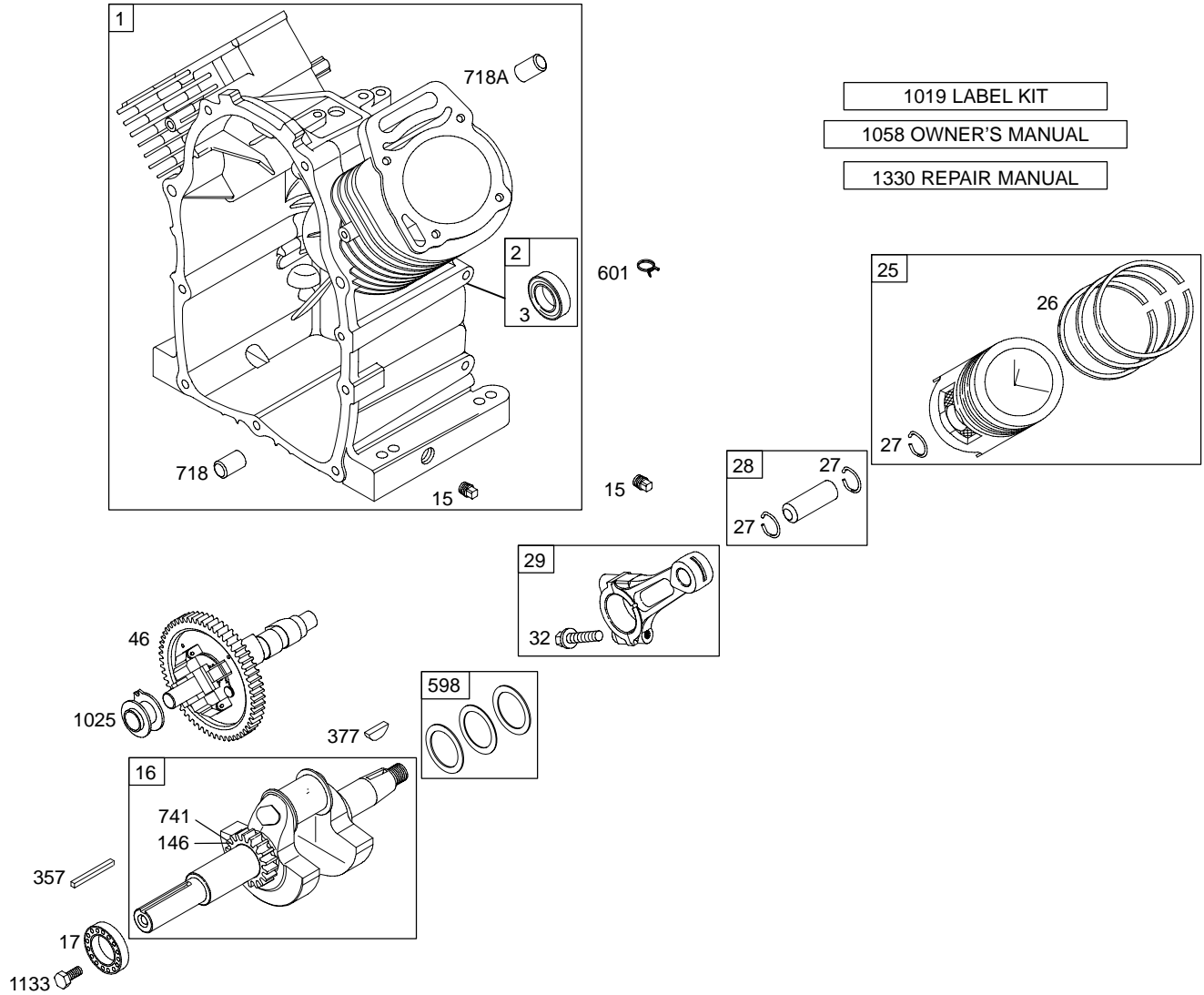
Air Cleaner	7
Alternator	15
Blower Housing	12
Camshaft	2
Carburetor	6
Controls	10
Crankcase Cover	4
Crankshaft	2
Cylinder	2
Cylinder Head	3
Electric Starter	16 & 17
Exhaust System	8
Flywheel	13
Fuel Supply	9
Gasket Set – Valve	3
Gasket Set – Engine	2
Governor Spring	10
Ignition	15
Intake Manifolds	4
Kit – Carburetor Overhaul	6
Lubrication	5
Pistons, Rings, Connecting Rod	2
Rewind Starter	14
Shrouds	11
Valves	3

PRINTED IN U.S.A.

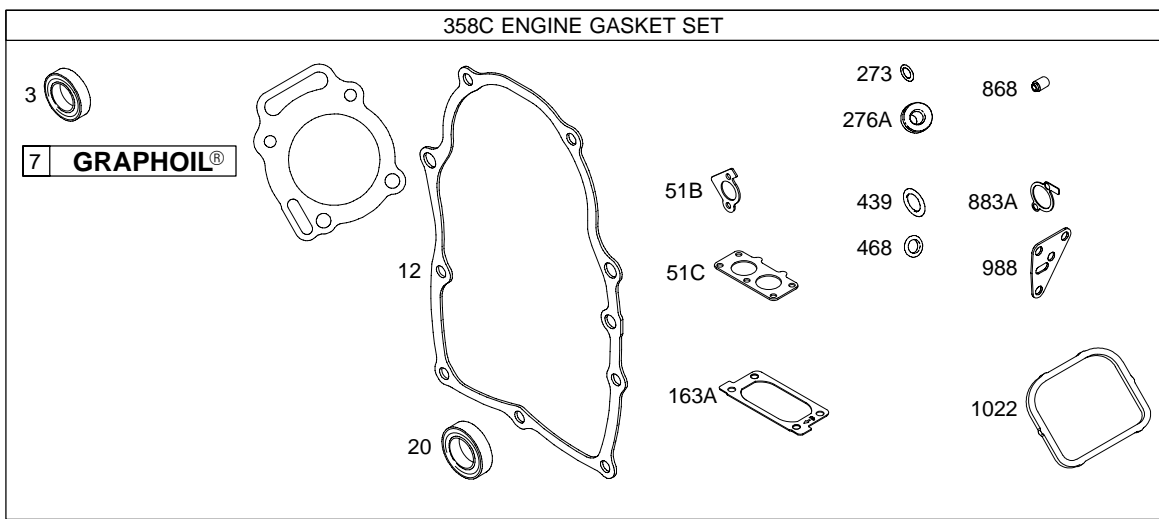


COPYRIGHT by BRIGGS & STRATTON CORPORATION
All rights reserved. No part of this material may be reproduced or transmitted, in any form or by any means, electronic or mechanical, including photocopying, recording or by any information storage and retrieval system, without permission in writing from Briggs & Stratton Corporation.

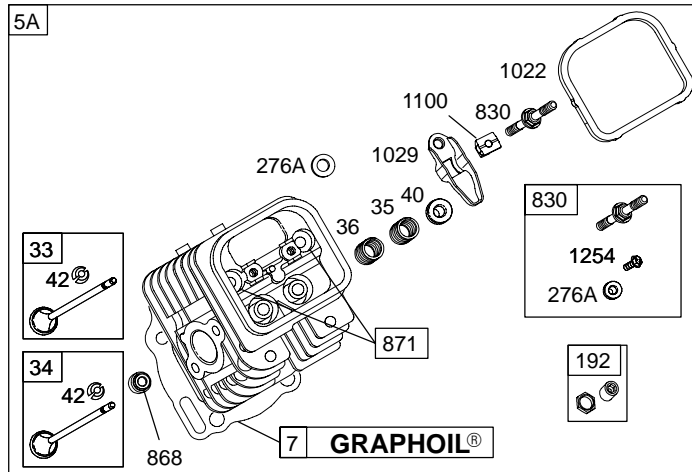
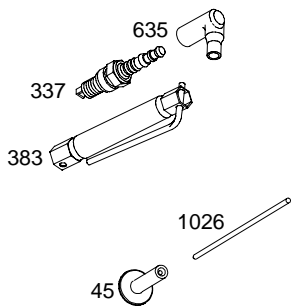
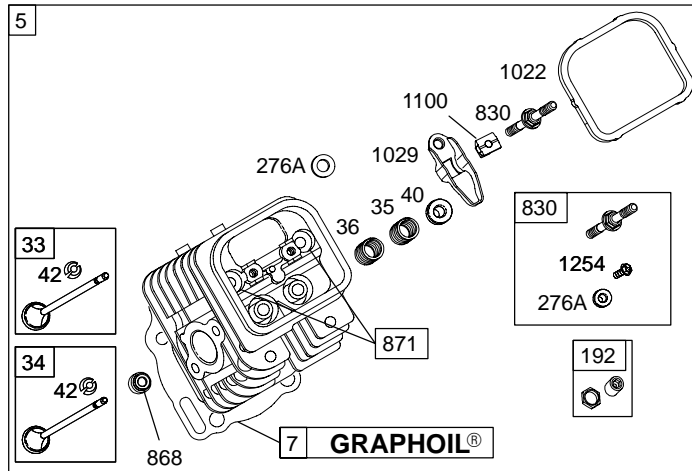
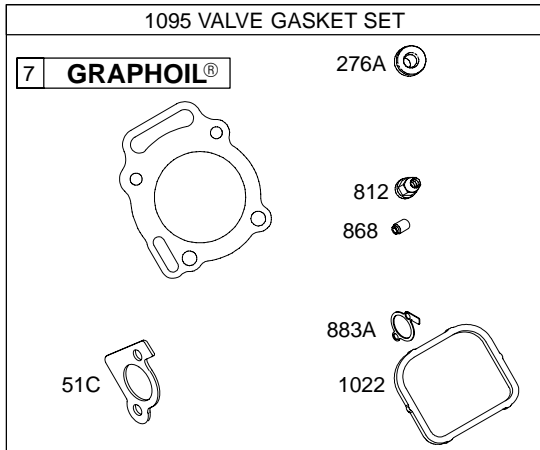
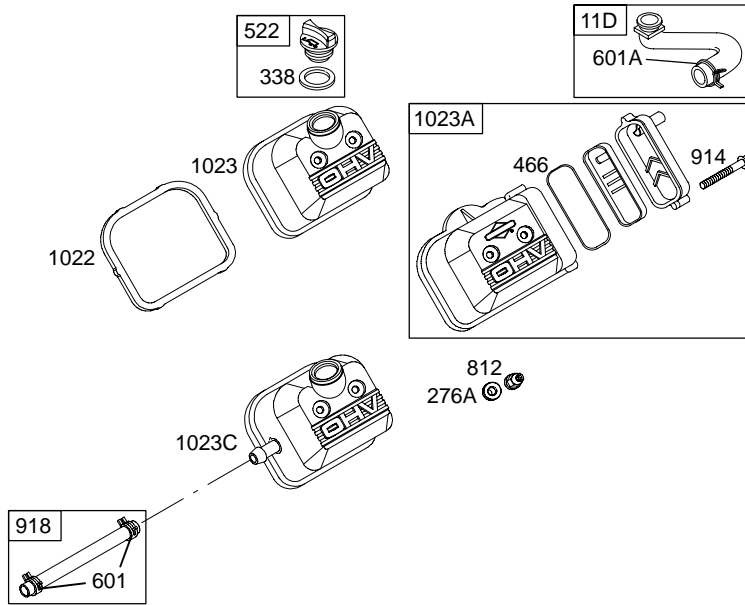
380400



- 1019 LABEL KIT
- 1058 OWNER'S MANUAL
- 1330 REPAIR MANUAL

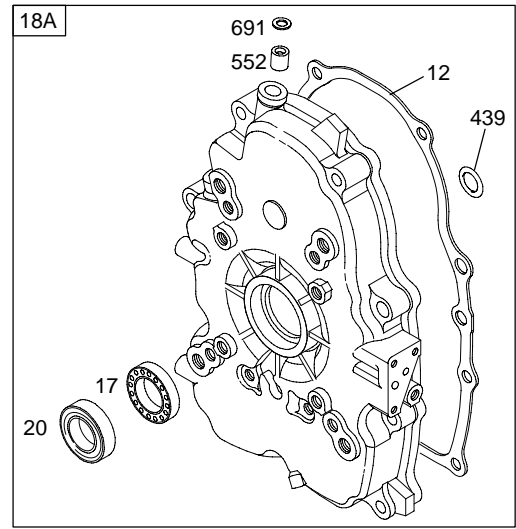
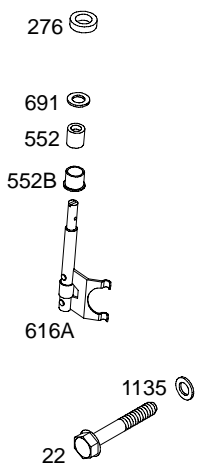
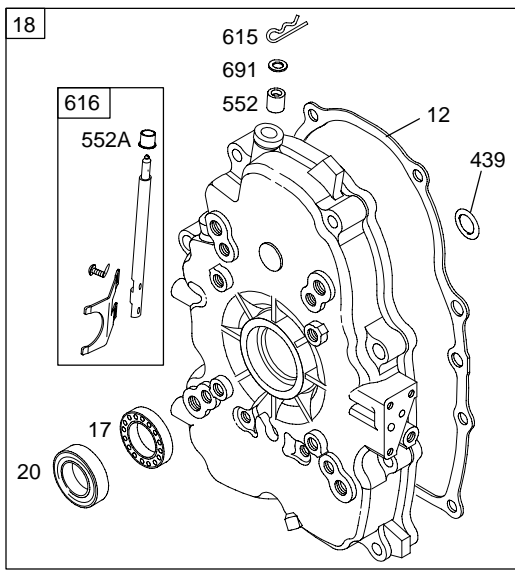
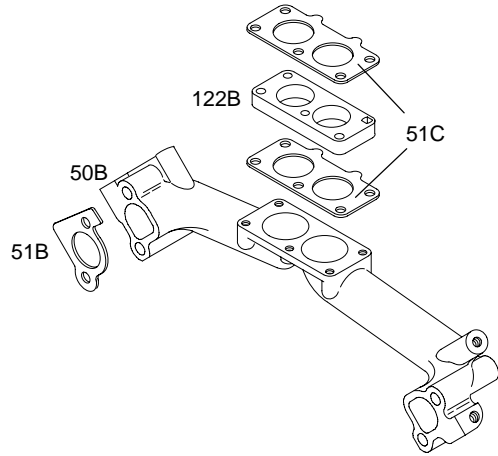
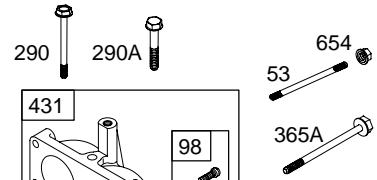


Illustrations cover a range of engines. Parts shown without corresponding text may not be used on your specific engine.
 5311-2 Assemblies include all parts shown in frames. 12/16/2004

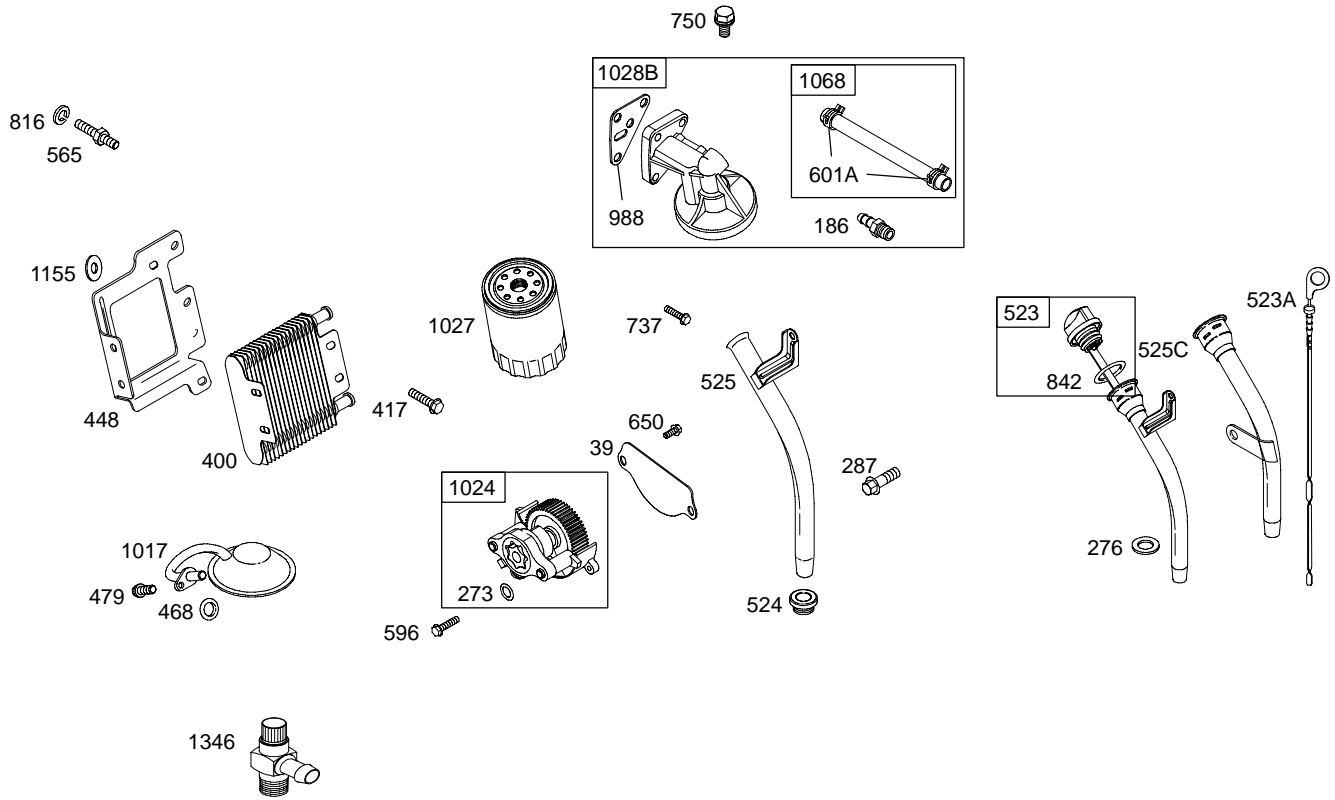


Illustrations cover a range of engines. Parts shown without corresponding text may not be used on your specific engine.
 5311-3 Assemblies include all parts shown in frames. 12/16/2004

380400

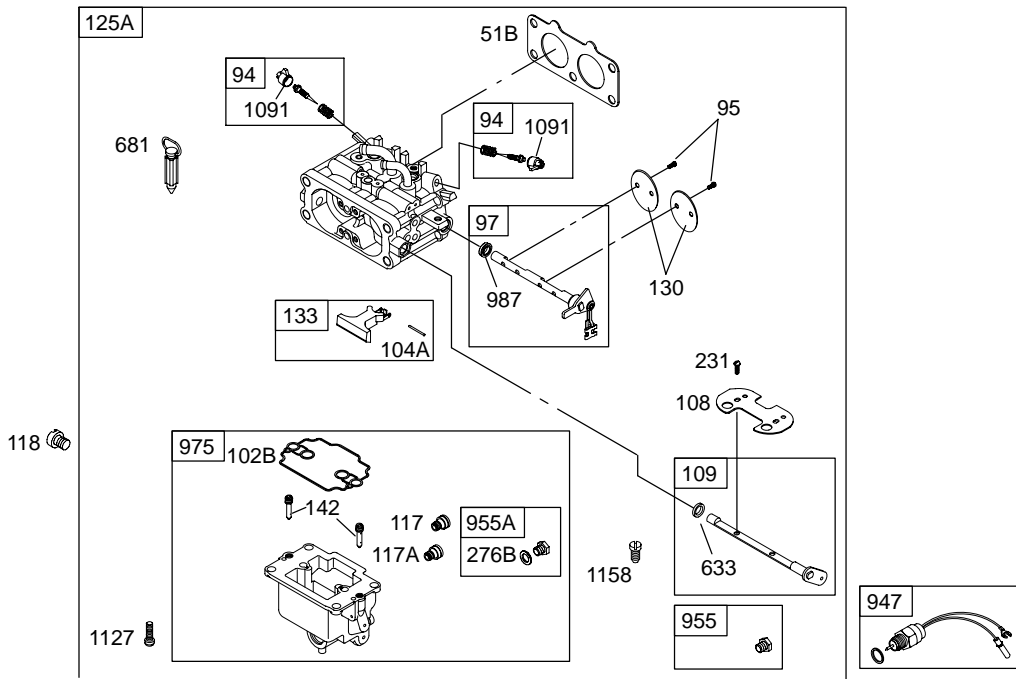


Illustrations cover a range of engines. Parts shown without corresponding text may not be used on your specific engine.
5311-4 Assemblies include all parts shown in frames. 12/16/2004



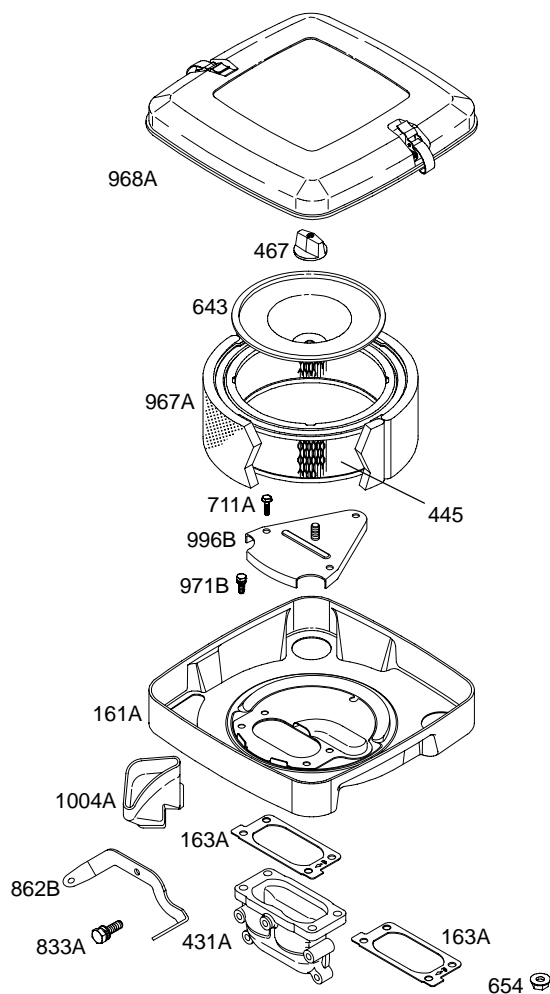
Illustrations cover a range of engines. Parts shown without corresponding text may not be used on your specific engine.
5311-5 Assemblies include all parts shown in frames. 12/16/2004

380400



121D CARBURETOR OVERHAUL KIT		
94	104A	142
1091		633
	117A	681
102B	117	987

Illustrations cover a range of engines. Parts shown without corresponding text may not be used on your specific engine.
 5311-6 Assemblies include all parts shown in frames. 12/16/2004



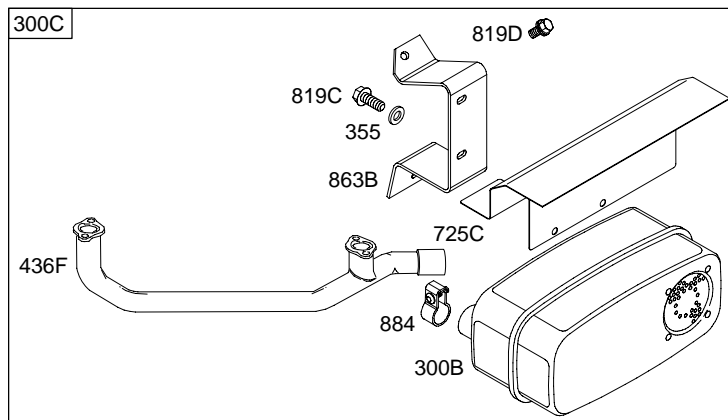
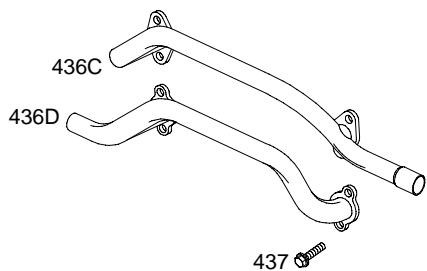
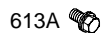
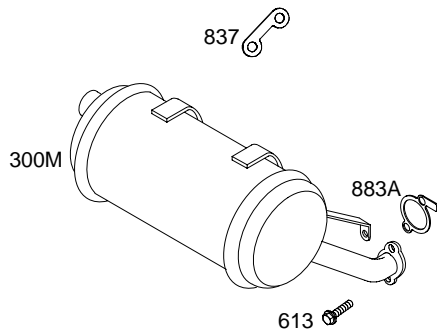
Illustrations cover a range of engines. Parts shown without corresponding text may not be used on your specific engine.

5311-7

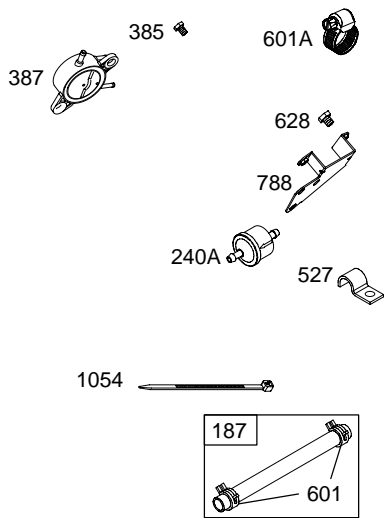
Assemblies include all parts shown in frames.

12/16/2004

380400

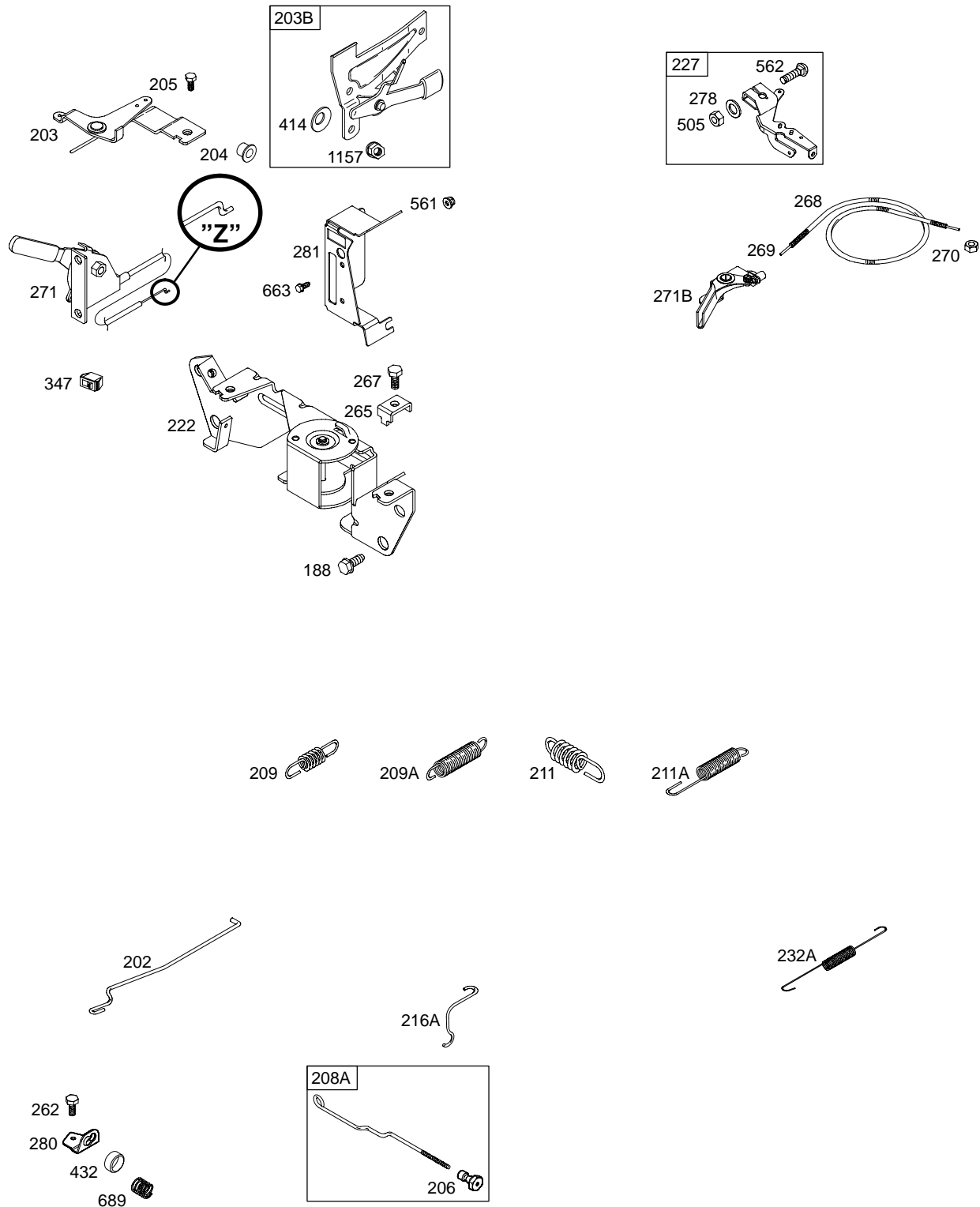


5311-8 *Illustrations cover a range of engines. Parts shown without corresponding text may not be used on your specific engine.* Assemblies include all parts shown in frames. 12/16/2004

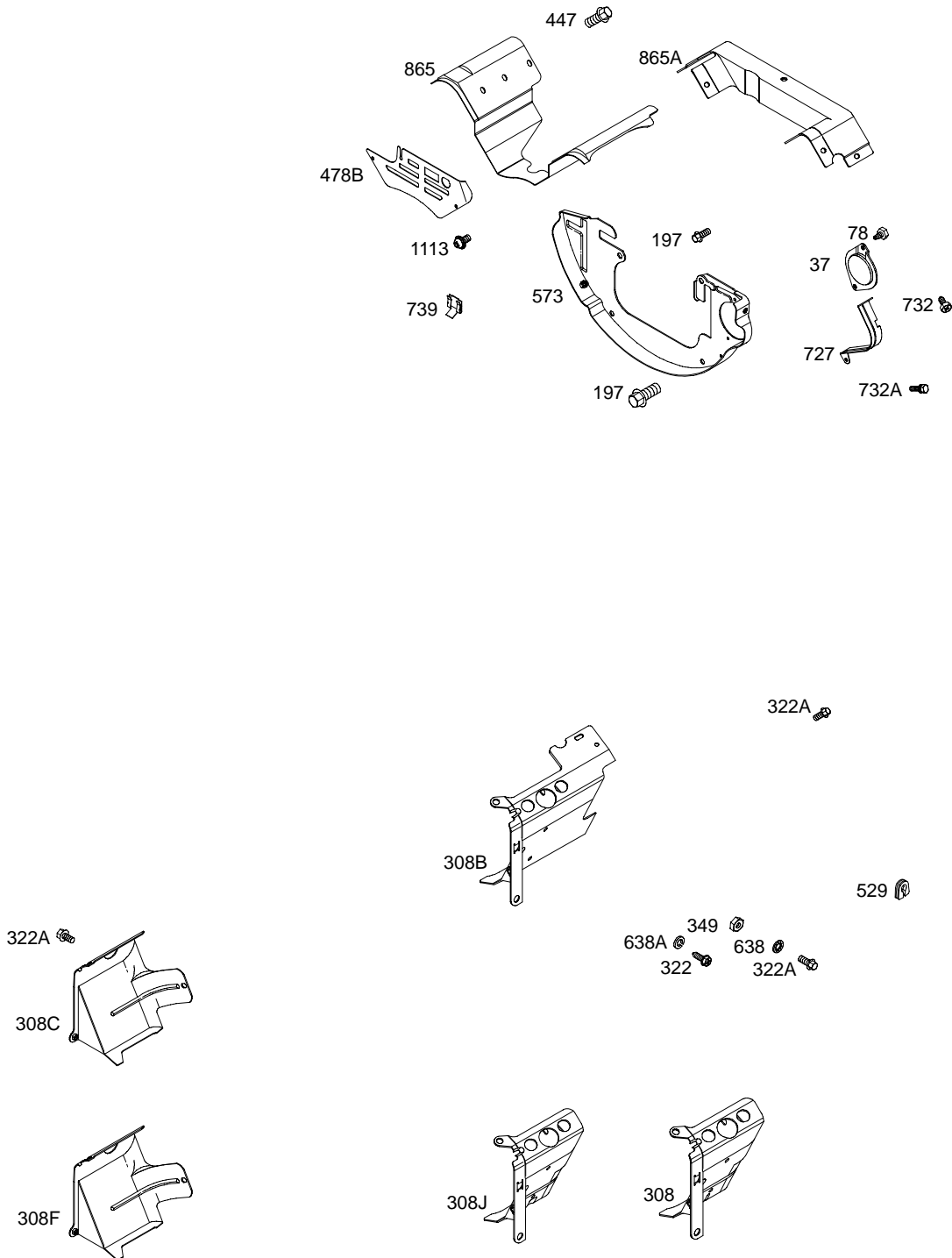


Illustrations cover a range of engines. Parts shown without corresponding text may not be used on your specific engine.
5311-9 Assemblies include all parts shown in frames. 12/16/2004

380400

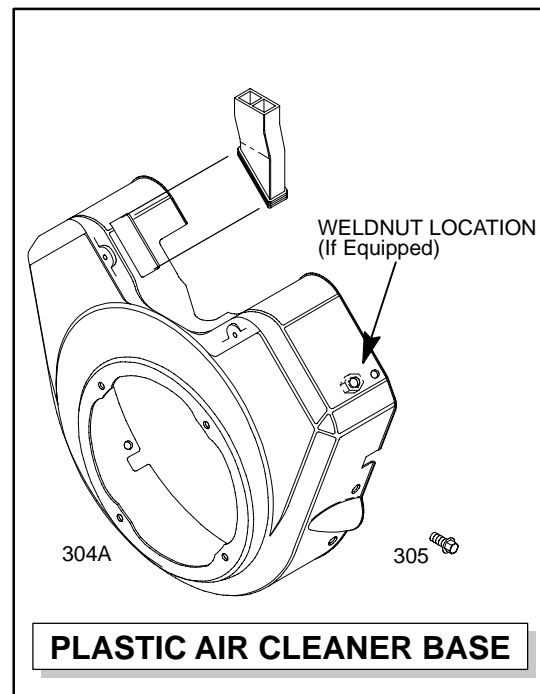
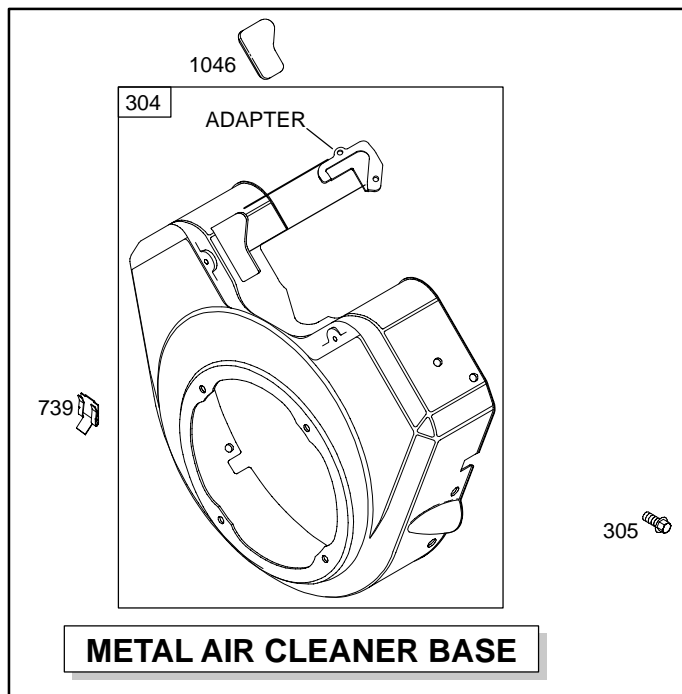


Illustrations cover a range of engines. Parts shown without corresponding text may not be used on your specific engine.
 5311-10 Assemblies include all parts shown in frames. 12/16/2004



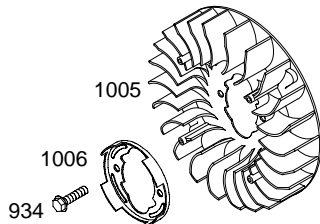
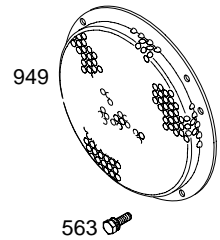
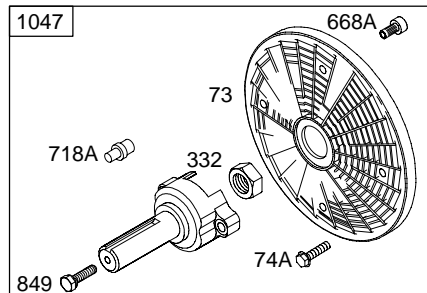
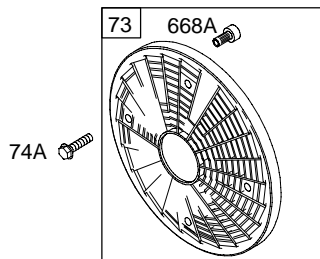
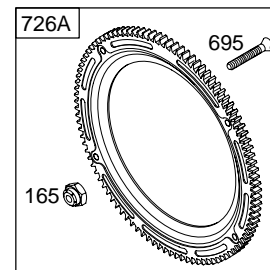
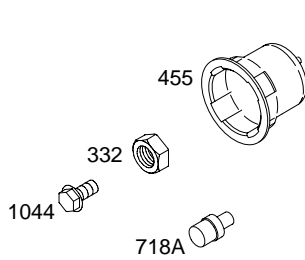
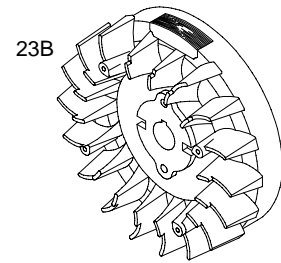
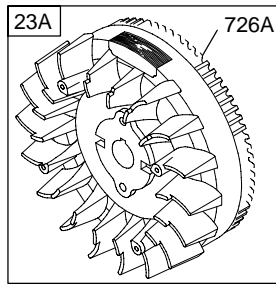
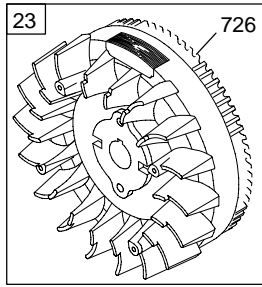
Illustrations cover a range of engines. Parts shown without corresponding text may not be used on your specific engine.
5311-11 Assemblies include all parts shown in frames. 12/16/2004

380400



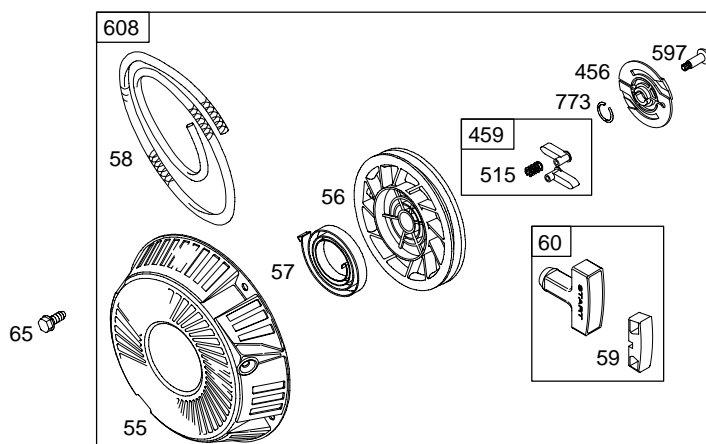
1036 EMISSION LABEL

Illustrations cover a range of engines. Parts shown without corresponding text may not be used on your specific engine.
5311-12 Assemblies include all parts shown in frames. 12/16/2004

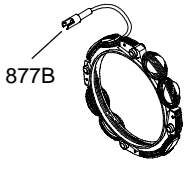
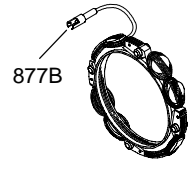
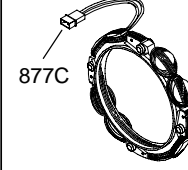
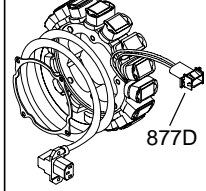
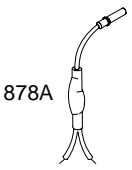

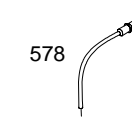
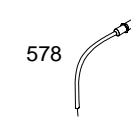

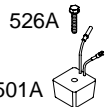
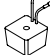
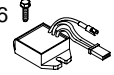





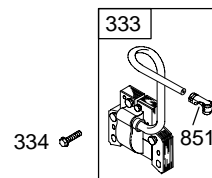
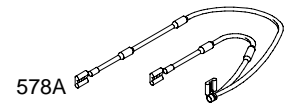
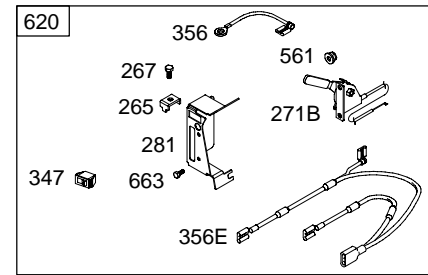
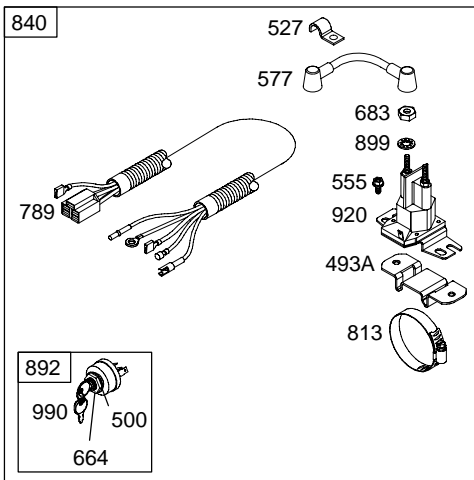
Illustrations cover a range of engines. Parts shown without corresponding text may not be used on your specific engine.

380400



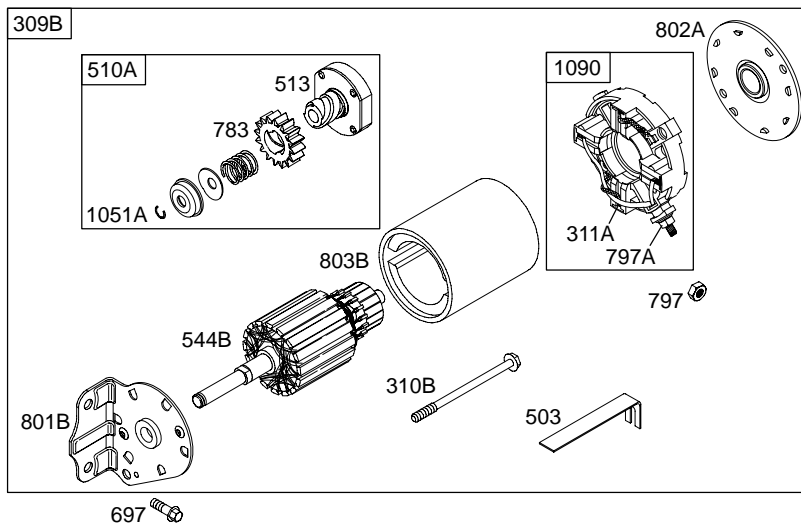
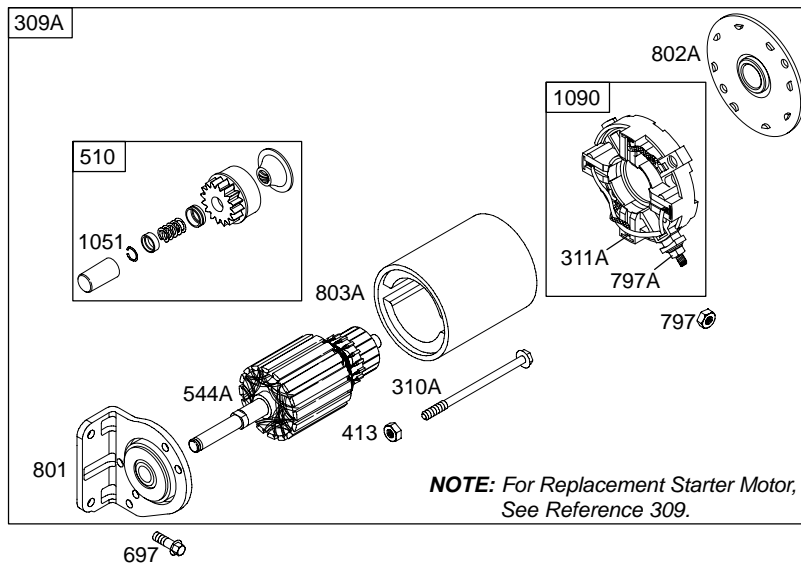
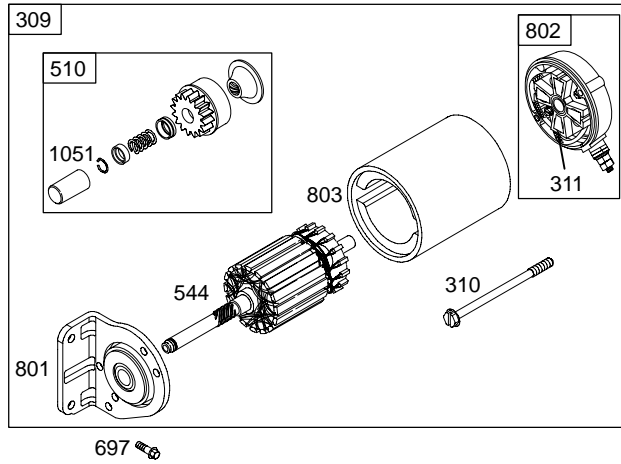
Illustrations cover a range of engines. Parts shown without corresponding text may not be used on your specific engine.
5311-14 Assemblies include all parts shown in frames. 12/16/2004

TRI CIRCUIT	5 – 9 AMP	10 – 16 AMP	20 AMP POWER LINK
474C 	474C 	474D 	474F 
	578 	578 	578 
<p>NOTE: All stators use a No. 1119 mounting screw. </p> <p>NOTE: The proper flywheel part number and/or the alternator magnet size will determine the alternator type or output. See repair instruction manual for additional information.</p>	526A  501A 	526  501 	526B  501B 

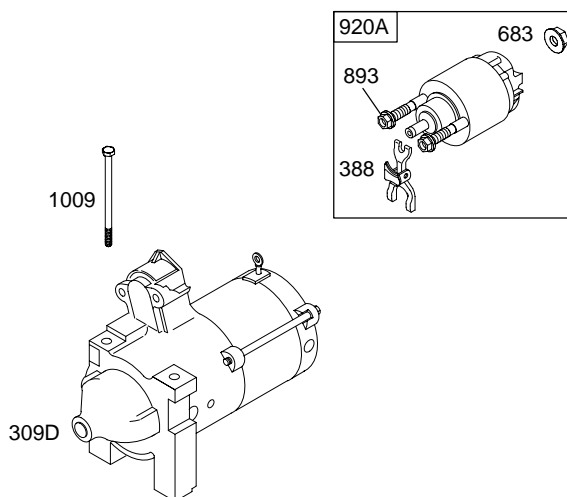


Illustrations cover a range of engines. Parts shown without corresponding text may not be used on your specific engine.
 5311-15 Assemblies include all parts shown in frames. 12/16/2004

380400



Illustrations cover a range of engines. Parts shown without corresponding text may not be used on your specific engine.
 5311-16 Assemblies include all parts shown in frames. 12/16/2004



Illustrations cover a range of engines. Parts shown without corresponding text may not be used on your specific engine.

380400

REF. NO.	PART NO.	DESCRIPTION	REF. NO.	PART NO.	DESCRIPTION	REF. NO.	PART NO.	DESCRIPTION
1	808650	Cylinder Assembly Note 809136 Cylinder Assembly Used on Type No(s). 0112, 0171. 841184 Cylinder Assembly Used on Type No(s). 0174.	15	690946	Plug–Oil Drain	17	690752	Bearing–Ball
2	808534	Kit–Bushing/Seal (Magneto Side)	16	809834	Crankshaft Note 691139 Crankshaft Used on Type No(s). 0024, 0048, 0075, 0100, 0101, 0136, 0137, 0143, 0153, 0154, 0158, 0165. 809845 Crankshaft (Used After Code Date 03043000). Used on Type No(s). 0079, 0116, 0125, 0126, 0131, 0141, 0144, 0146, 0155, 0174. 809842 Crankshaft (Used Before Code Date 03050100). Used on Type No(s). 0065, 0079, 0116, 0125, 0126, 0130, 0131, 0141, 0144, 0155, 0164. 692173 Crankshaft Used on Type No(s). 0042, 0078, 0129, 0139, 0161. 809827 Crankshaft (Used After Code Date 03043000). Used on Type No(s). 0112, 0142. 693073 Crankshaft (Used Before Code Date 03050100). Used on Type No(s). 0112, 0142. 692170 Crankshaft Used on Type No(s). 0076, 0077. 809844 Crankshaft Used on Type No(s). 0177, 0217.	18	808849	Cover–Crankcase (Used After Code Date 99072000).
3	★805101	Seal–Oil (Magneto Side)				18A	808685	Cover–Crankcase (Used Before Code Date 99072100).
5	808529	Head–Cylinder (Cylinder 1)				20	★805049	Seal–Oil (PTO Side)
5A	808530	Head–Cylinder (Cylinder 2)				22	807362	Screw (Crankcase Cover/Sump)
7	Δ★806377	Gasket–Cylinder Head				23	808768	Flywheel (Steel Ring Gear) Note 808776 Flywheel (Aluminum Ring Gear) Used on Type No(s). 0152. 841169 Flywheel Used on Type No(s). 0174.
11D	806379	Tube–Breather				23A	690921	Flywheel (Aluminum Ring Gear)
12	★691684	Gasket–Crankcase				23B	690922	Flywheel (Rewind Starter) Used on Type No(s). 0102, 0130.
13	692059	Screw (Cylinder Head)				25	808527	Piston Assembly (Standard) Note 808652 Piston Assembly (.020" Oversize)
						26	808528	Ring Set (Standard) Note 808661 Ring Set (.020" Oversize)
						27	806378	Lock–Piston Pin
						28	808526	Pin–Piston
						29	808646	Rod–Connecting
						32	690698	Screw (Connecting Rod)

★ Included in Engine Gasket Set–Ref. No. 358.

● Included in Carburetor Overhaul Kit–Ref. No. 121.

◆ Included in Carburetor Gasket Set–Ref. No. 977.

Δ Included in Valve Gasket Set–Ref. No. 1095.

Illustrations cover a range of engines. Parts shown without corresponding text may not be used on your specific engine.

380400

REF. NO.	PART NO.	DESCRIPTION	REF. NO.	PART NO.	DESCRIPTION	REF. NO.	PART NO.	DESCRIPTION		
33	806419	Valve-Exhaust	97	808182	Shaft-Throttle	163A	692087	Gasket-Air Cleaner		
34	806420	Valve-Intake	98	809320	Kit-Idle Speed	165	693148	Nut (Ring Gear)		
35	692084	Spring-Valve (Intake)	102B	●693711	Gasket-Carburetor Body	186	693184	Connector-Hose		
36	692084	Spring-Valve (Exhaust)	104A	●690882	Pin-Float Hinge	187	691050	Line-Fuel		
37	690715	Guard-Flywheel (Black)	108	690883	Valve-Choke	188	692056	Screw (Control Bracket)		
39	690745	Deflector-Oil	109	808277	Shaft-Choke	192	807623	Adjuster-Rocker Arm		
40	692058	Retainer-Valve	117	806438	Jet-Main (Standard) (Left or Cylinder 1)	197	841233	Screw (Back Plate)		
42	807683	Keeper-Valve	Note			202	691536	Link-Mechanical Governor		
45	690977	Tappet-Valve			690880	Jet-Main (Standard) Used on Type No(s). 0158, 0164, 0177.	203	690923	Crank-Bell	
46	690927	Camshaft					203B	808753	Crank-Bell Used on Type No(s). 0075, 0078, 0100, 0101, 0102, 0112, 0125, 0130, 0136, 0137, 0139, 0142, 0143, 0144, 0150, 0151, 0152, 0153, 0154, 0155, 0158, 0161, 0163, 0164, 0166, 0171, 0173, 0175, 0177, 0217.	
50B	806376	Manifold-Intake	117A	●806439	Jet-Main (Standard) (Right Or Cylinder 2)			204	692884	Bushing-Lever
51B	★690950	Gasket-Intake (Manifold To Carburetor)						205	692083	Screw (Bell Crank)
51C	△★806418	Gasket-Intake (Manifold to Head)	118	693500	Jet-Main (High Altitude) (Right Or Cylinder 2)			206	691244	Nut-Governor Adjusting
53	690746	Stud (Carburetor)						208A	691549	Rod-Governor Control
54	806444	Screw (Intake Manifold)						209	692070	Spring-Governor
55	691568	Housing-Rewind Starter						Note		
56	692085	Pulley-Starter			841670	Jet-Main (High Altitude) (Left or Cylinder 1)		692072	Spring-Governor Used on Type No(s). 0151, 0163.	
57	692086	Spring-Rewind Starter			809685	Jet-Main (High Altitude) Used on Type No(s). 0158, 0164, 0177.		691507	Spring-Governor Used on Type No(s). 0153, 0155, 0165, 0175.	
58	66574	Rope-Starter (Cut To Required Length)	121D	808816	Kit-Carburetor Overhaul					
59	805957	Insert-Grip	122B	690870	Spacer-Carburetor					
60	808167	Grip-Starter Rope	125A	808626	Carburetor					
65	691982	Screw (Rewind Starter)								
		Note								
		692059								
		Screw (Rewind Starter)								
73	494439	Screen-Rotating (Flush)								
74A	691647	Screw (Rotating Screen)	130	690884	Valve-Throttle					
78	690688	Screw (Flywheel Guard)	133	808180	Float-Carburetor					
94	●808257	Kit-Idle Mixture	142	●806375	Nozzle-Carburetor (Standard)					
95	690718	Screw (Throttle Valve)	146	691639	Key-Timing					
			161A	808655	Base-Air Cleaner (Metal)					

★ Included in Engine Gasket Set-Ref. No. 358.

● Included in Carburetor Overhaul Kit-Ref. No. 121.

◆ Included in Carburetor Gasket Set-Ref. No. 977.

△ Included in Valve Gasket Set-Ref. No. 1095.

Illustrations cover a range of engines. Parts shown without corresponding text may not be used on your specific engine.

380400

REF. NO.	PART NO.	DESCRIPTION	REF. NO.	PART NO.	DESCRIPTION	REF. NO.	PART NO.	DESCRIPTION
209A	691546	Spring–Governor Used on Type No(s). 0042, 0078. Note 690709 Spring–Governor Used on Type No(s). 0129, 0150, 0152, 0161. 690716 Spring–Governor Used on Type No(s). 0142.	273	★690681	Seal–O Ring (Oil Pump)	304	808658	Housing–Blower (Red)
211	692069	Spring–Governed Idle	276	★△690704	Washer–Sealing (Governor Crank)	304A	808651	Housing–Blower (Black) Used on Type No(s). 0048, 0112, 0139, 0141, 0174.
211A	690707	Spring–Governed Idle Used on Type No(s). 0042, 0078, 0139. Note 691504 Spring–Governed Idle Used on Type No(s). 0129, 0150, 0152, 0161.	276A	★△807085	Washer–Sealing (Rocker Cover) (Used After Code Date 01120200). Note 691766 Washer–Sealing (Rocker Cover) (Used Before Code Date 01120300).	305	692056	Screw (Blower Housing) (14mm)
216A	691542	Link–Choke	278B	690724	Washer–Sealing	308	806547	Cover–Cylinder Head (Cylinder 1)(Black) Note 841232 Cover–Cylinder Head (Cylinder 1)(Black) Used on Type No(s). 0163, 0173, 0177, 0217. 841317 Cover–Cylinder Head (Cylinder 1)(Black) Used on Type No(s). 0175. 841316 Cover–Cylinder Head (Cylinder 2) Used on Type No(s). 0175.
222	808454	Bracket–Control	278	842122	Washer (Governor Control Lever)	308B	806545	Cover–Cylinder Head Used on Type No(s). 0144, 0153, 0165. Note 806544 Cover–Cylinder Head Used on Type No(s). 0144, 0153, 0165.
227	690236	Lever–Governor Control	280	691526	Bracket–Rod	308C	806546	Cover–Cylinder Head (Cylinder 2)(Black)
231	690718	Screw (Choke Valve)	281	690742	Panel–Control	308F	841183	Cover–Cylinder Head (Cylinder 1)(Black) Used on Type No(s). 0174.
232A	691538	Spring–Governor Link	287	692062	Screw (Dipstick Tube)	308J	841182	Cover–Cylinder Head (Cylinder 2)(Black) Used on Type No(s). 0163, 0173, 0174, 0177, 0217.
239	690233	Switch–Oil Pressure	290	691537	Screw (Intake Elbow) (70mm Long) Note 690866 Screw (Intake Elbow)			
240A	691035	Filter–Fuel	290A	691492	Screw (Intake Elbow) (30mm Long)			
262	692083	Screw (Rod Bracket)	300B	498984	Muffler Used on Type No(s). 0151, 0153, 0165.			
265	691024	Clamp–Casing	300C	807752	Muffler Used on Type No(s). 0151, 0153, 0165, 0175. (Low Mount)			
267	841552	Screw (Casing Clamp)	300M	808705	Muffler Note 808896 Muffler Used on Type No(s). 0136, 0154, 0164, 0174, 0177.			
268	691025	Casing–Control Wire (Cut To Required Length)						
269	691026	Wire–Control (Cut To Required Length)						
270	691027	Nut (Control Wire Casing)						
271	692541	Lever–Control						
271B	691028	Lever–Control						

★ Included in Engine Gasket Set–Ref. No. 358.

● Included in Carburetor Overhaul Kit–Ref. No. 121.

◆ Included in Carburetor Gasket Set–Ref. No. 977.

△ Included in Valve Gasket Set–Ref. No. 1095.

Illustrations cover a range of engines. Parts shown without corresponding text may not be used on your specific engine.

380400

REF. NO.	PART NO.	DESCRIPTION	REF. NO.	PART NO.	DESCRIPTION	REF. NO.	PART NO.	DESCRIPTION
309	691564	Motor–Starter (Services Aluminum Ring Gear Only)(For Replacement Starter Motor, See Ref 309B)	347	691995	Switch–Rocker	436F	805609	Manifold–Exhaust
309A		Motor–Starter (Services Steel Ring Gear Only)(For Replacement Starter Motor, See Reference 309)	349	690238	Nut (Cylinder Head Cover)	437	691902	Screw (Exhaust Manifold)
309B	499521	Motor–Starter (Services Aluminum Ring Gear Only) (Used Before Code Date 98071600). Used on Type No(s). 0100.	355	690237	Washer (Muffler Bracket)	439	★692154	Seal–O Ring (Crankcase Cover/Sump)
309D	808817	Motor–Starter Used on Type No(s). 0112, 0171.	356	807063	Wire–Stop Used on Type No(s). 0112.	445	692519	Filter–Air Cleaner Cartridge
310	496880	Screw (Starter Motor) (4 1/4" Long)	357	691483	Key–Drive Pulley Used on Type No(s). 0151, 0153, 0158, 0165, 0175.	447	841233	Screw (Air Guide Cover)
310A	690323	Screw (Starter Motor) (4 7/16" Long)	358C	808617	Gasket Set–Engine	448	806423	Bracket–Oil Cooler
310B	691263	Screw (Starter Motor) (4 13/16" Long)	359	691077	Washer (Ground Terminal)	455	690864	Cup–Flywheel
311	496887	Brush Set	363	19203	Puller–Flywheel	456	691529	Plate–Pawl Friction
311A	497608	Brush Set	365A	690866	Screw (Carburetor)	459	808166	Pawl–Ratchet
322	841233	Screw (Cylinder Head Cover)	373	691612	Nut (Ground Terminal)	466	806466	Seal–O Ring (Breather Assembly)
322A	692067	Screw (Cylinder Head Cover)	377	808095	Key–Woodruff	467	691985	Knob–Air Cleaner
332	690887	Nut (Flywheel)	383	19374	Wrench–Spark Plug	468	★690690	Seal–O Ring (Oil Pump Screen)
333	492341	Armature–Magneto	385	807084	Screw (Fuel Pump)	474C	696578	Alternator Used on Type No(s). 0152, 0161. (Tri Circuit)
334	692066	Screw (Magneto Armature)	387	808656	Pump–Fuel	474D	696458	Alternator (10–16 Amp Regulated)
		————— Note —————	388	820799	Lever–Pinion Drive	474F	841178	Alternator (20 Amp) Used on Type No(s). 0174.
		691552 Screw (Magneto Armature) Used on Type No(s). 0152.	388	820799	Lever–Pinion Drive	478B	691533	Panel
337	491055	Plug–Spark	400	808657	Cooler–Oil	479	692537	Screw (Oil Pump Screen)
338	691312	Gasket–Dipstick	413	693587	Nut (Starter Motor)			————— Note —————
			414	690344	Washer (Bell Crank)	493A	691177	Bracket–Mounting (Solenoid)
			415	690283	Plug Used on Type No(s). 0155, 0165, 0175.	500	691086	Washer (Key Switch)
			417	810074	Screw (Oil Cooler)	501	691185	Regulator (10–16 Amp Regulated)
			431	808659	Elbow–Intake	501A	691188	Regulator Used on Type No(s). 0161.
			431A	691534	Elbow–Intake			
			432	691509	Cap–Spring			
			436C	691501	Manifold–Exhaust			
			436D	808908	Manifold–Exhaust Used on Type No(s). 0163.			

★ Included in Engine Gasket Set–Ref. No. 358.

● Included in Carburetor Overhaul Kit–Ref. No. 121.

◆ Included in Carburetor Gasket Set–Ref. No. 977.

△ Included in Valve Gasket Set–Ref. No. 1095.

Illustrations cover a range of engines. Parts shown without corresponding text may not be used on your specific engine.

380400

REF. NO.	PART NO.	DESCRIPTION	REF. NO.	PART NO.	DESCRIPTION	REF. NO.	PART NO.	DESCRIPTION
501B	841170	Regulator (20 Amp) Used on Type No(s). 0174.	526B	691547	Screw (Regulator)(20 Amp) Used on Type No(s). 0174.	577	690795	Cable–Starter
503	691532	Strap–Starter	527	690423	Clamp–Tube	578	692306	Wire Assembly (1 Wire, 48–1/2” Long)(Snap Connect Female Pin Socket, And Bare Wire End) Used on Type No(s). 0150, 0152, 0154, 0158, 0166.
505	690238	Nut (Governor Control Lever)	529	690744	Grommet	578A	692319	Wire Assembly
507	691972	Insulator	544	690855	Armature–Starter	596	691492	Screw (Oil Pump)
510	496881	Drive–Starter	544A	693548	Armature–Starter	597	690876	Screw (Pawl Friction Plate)
510A	696541	Drive–Starter	544B	690702	Armature–Starter (Serviced By 499521 Starter Motor Only)	598	807625	Shim–End Play (Crankshaft or Camshaft Bearing)
513	692024	Clutch–Drive	552	690701	Bushing–Governor Crank (Output End)	601	691038	Clamp–Hose
515	691528	Spring–Pawl	552A	806686	Bushing–Governor Crank (Flanged) (Used After Code Date 99072000).	601	95162	Clamp–Hose
520	691084	Terminal–Ground	552B	690702	Bushing–Governor Crank (Flanged) (Used Before Code Date 99072100).	601A	691145	Clamp–Hose ———— Note ———— 841502 Clamp–Hose Used on Type No(s). 0177, 0217.
522	491832	Plug–Dipstick/Fill	555	692067	Screw (Starter Solenoid)	608	692102	Starter–Rewind
523	692100	Dipstick (Used Before Code Date 98053100). Used on Type No(s). 0100.	561	690713	Nut (Control Lever)	613	691902	Screw (Muffler) ———— Note ———— 692328 Screw (Muffler) Used on Type No(s). 0153, 0165, 0175.
523A	693175	Dipstick	562	690239	Bolt (Governor Control Lever)	613A	690297	Screw (Muffler)
524	693172	Seal–Dipstick Tube (Used After Code Date 98053000). ———— Note ———— 281370 Seal–Dipstick Tube (Used Before Code Date 98053100). Used on Type No(s). 0100.	563	691982	Screw (Debris Screen Guard) Used on Type No(s). 0153.	615	691550	Retainer–Governor Shaft
525	693174	Tube–Dipstick	565	690682	Stud (Oil Filter Adapter)	616	806685	Crank–Governor (Used After Code Date 99072000).
525C	690897	Tube–Dipstick (Used Before Code Date 98053100). Used on Type No(s). 0100.	573	841310	Plate–Back ———— Note ———— 693045 Plate–Back Used on Type No(s). 0112, 0171. 841314 Plate–Back Used on Type No(s). 0174.	616A	690899	Crank–Governor (Used Before Code Date 99072100).
526	692067	Screw (Regulator)(10–16 Amp Regulated)				620	494052	Panel–Speed Control Used on Type No(s). 0048, 0065, 0075, 0076, 0079, 0116, 0125, 0142, 0146.
526A	690717	Screw (Regulator)(5 To 9 Amp Regulated) Used on Type No(s). 0161.						

★ Included in Engine Gasket Set–Ref. No. 358.

● Included in Carburetor Overhaul Kit–Ref. No. 121.

◆ Included in Carburetor Gasket Set–Ref. No. 977.

△ Included in Valve Gasket Set–Ref. No. 1095.

Illustrations cover a range of engines. Parts shown without corresponding text may not be used on your specific engine.

5311–22

Assemblies include all parts shown in frames.

12/16/2004

380400

REF. NO.	PART NO.	DESCRIPTION	REF. NO.	PART NO.	DESCRIPTION	REF. NO.	PART NO.	DESCRIPTION
628	806660	Screw (Fuel Pump Bracket)	727	841313	Cover–Starter Drive	819C	692537	Screw (Muffler Bracket)
633	●690722	Seal–Choke/Throttle Shaft	729	690586	Clip–Wire	819D	692062	Screw (Muffler Bracket)
635	692076	Boot–Spark Plug	732	690688	Screw (Starter Drive Cover)	830	809157	Stud–Rocker Arm
638	691551	Washer (Cylinder Head Cover) (Used Before Code Date 03110100).			Note	833A	807084	Screw (Air Cleaner Mounting Strap/Stud)
638A	690706	Washer (Cylinder Head Cover)	732A	841233	Screw (Starter Drive Cover)	837	808085	Spacer–Muffler Used on Type No(s). 0158, 0164, 0173, 0174, 0177.
643	692079	Retainer–Air Filter	737	690679	Screw (Oil Filter Adapter)	840	692096	Kit–Panel
650	841233	Screw (Oil Deflector)	739	690451	Clip–Debris	842	690611	Seal–O Ring (Dipstick Tube)
		Note	741	691530	Gear–Timing	849	691088	Screw (Stub Shaft)
		691982 Screw (Oil Deflector) Used on Type No(s). 0153, 0165, 0175.	750	841233	Screw (Oil Pump Cover)	851	493880	Terminal–Spark Plug
654	690939	Nut (Carburetor)	773	690875	Retainer	862B	691539	Strap/Stud–Air Cleaner Mounting
663	692083	Screw (Control Panel)	783	695708	Gear–Pinion (Services Aluminum Ring Gear Only)	863B	805610	Bracket–Muffler
664	691087	Nut (Key Switch)	788	691559	Bracket–Fuel Pump	865	841312	Cover–Air Guide (Valley)(Black)
668A	691500	Spacer	789	691996	Harness–Wiring			Note
681	●808798	Kit–Needle/Seat			841318 Harness– Wiring Used on Type No(s). 0171.			841319 Cover–Air Guide Used on Type No(s). 0175.
683	691029	Nut (Starter Solenoid)			698332 Harness– Wiring Used on Type No(s). 0112.	865A	690901	Cover–Air Guide Used on Type No(s). 0144, 0153, 0165.
		Note	797	691029	Nut (Brush Retainer)	868	Δ691963	Seal–Valve
		820813 Nut (Starter Solenoid)	797A	693167	Nut (Brush Retainer)	871	692057	Bushing–Valve Guide
689	691272	Spring–Friction	801	808778	Cap–Drive	877B	393537	Wire/Connector– Alternator
691	690680	Seal–Governor Shaft	801B	691283	Cap–Drive	877C	399916	Wire/Connector– Alternator (2 Wires, 7–53/64” Long)(2 Bare Wire Ends, And Insulated Snap Connect Male Pin Terminal)
695	693109	Screw (Ring Gear)	802	496813	Cap–End	877D	698092	Wire/Connector– Alternator
697	692062	Screw (Drive Cap)	802A	691286	Cap–End	878A	691955	Harness–Alternator (Tri Circuit)
711A	841233	Screw (Carburetor Shield)	803	690854	Housing–Starter			
718	806469	Pin–Locating	803A	693547	Housing–Starter			
718A	690740	Pin–Locating Used on Type No(s). 0112.	803B		Housing–Starter (Serviced By 499521 Starter Motor Only)			
725C	806102	Shield–Heat	812	Δ692055	Nut (Rocker Cover) (Used Before Code Date 01120300).			
726		Gear–Ring (Steel)(See Reference 23 for Service)	813	690635	Clamp			
726A	807805	Gear–Ring (Aluminum)	816	690706	Washer (Oil Filter Adapter)			

★ Included in Engine Gasket Set–Ref. No. 358.

● Included in Carburetor Overhaul Kit–Ref. No. 121.

◆ Included in Carburetor Gasket Set–Ref. No. 977.

Δ Included in Valve Gasket Set–Ref. No. 1095.

Illustrations cover a range of engines. Parts shown without corresponding text may not be used on your specific engine.

5311–23

Assemblies include all parts shown in frames.

12/16/2004

380400

REF. NO.	PART NO.	DESCRIPTION	REF. NO.	PART NO.	DESCRIPTION	REF. NO.	PART NO.	DESCRIPTION
883A	★△806425	Gasket-Exhaust	1006	690452	Retainer-Fan	1044	692056	Screw (Flywheel)
884	690853	Clamp-Muffler	1009	806474	Screw (Starter Motor)	1046	841165	Plug-Blower Housing
884A	691956	Clamp-Muffler	1017	690900	Screen-Oil Pump	1047	807867	Shaft-Stub Used on Type No(s). 0112.
892	692318	Switch-Key	1019	841626	Kit-Label	1051	691124	Ring-Retaining
893	820809	Nut (Starter Solenoid)	1022	★△806039	Gasket-Rocker Cover	1051A	691265	Ring-Retaining
899	691077	Washer (Starter Solenoid)	1023	690758	Cover-Rocker	1054	280275	Tie-Cable
914	806421	Screw (Rocker Cover)	1023A	808648	Cover-Rocker (Includes Breather Assembly)	1058	275368	Operator's Manual
918	393815	Hose-Vacuum (Cut To Required Length)	1023C	690910	Cover-Rocker	1068	841606	Hose/Clamp Assembly (Cut To Required Length)
920	691656	Solenoid-Starter	1024	693185	Pump-Oil	1090	691293	Retainer-Brush
920A	825418	Solenoid-Starter	1025	690689	Spool-Governor	1091	●691516	Cap-Limiter
934	691058	Screw (Fan Retainer)	1026	691836	Rod-Push (Intake)(Steel)	1095	808619	Gasket Set-Valve
947	808624	Solenoid-Fuel			Note	1100	690973	Pivot-Rocker Arm
949	690475	Guard-Debris Screen Used on Type No(s). 0153.	1027	492932	691758 Rod-Push (Exhaust)(Aluminum)	1113	690677	Screw (Panel)
955	808176	Plug-Carburetor (Solenoid)	1028B	808537	Filter-Oil	1119	691552	Screw (Alternator)
955A	807723	Plug-Carburetor (Jet)	1029	807323	Adapter-Oil Filter	1127	690885	Screw (Float Bowl)
967A	692520	Filter-Pre Cleaner	1036	841641	Arm-Rocker	1133	690342	Screw (Crankshaft)
968A	808654	Cover-Air Cleaner			Label-Emissions (Used After Code Date 04063000).	1135	806497	Washer (Crankcase Cover/Sump)
971B	691492	Screw (Air Cleaner Base to Carburetor)			Note	1155	806647	Washer (Oil Cooler)
975	841160	Bowl-Float			806888 Label-Emissions (Used After Code Date 00063000 and Before Code Date 04070100).	1157	806447	Nut (Bell Crank)
987	●691000	Seal-Throttle Shaft			806700 Label-Emissions (Used After Code Date 99093000 and Before Code Date 00070100).	1158	807468	Screw (Carburetor Plug)
988	★692063	Gasket-Oil Adapter			806646 Label-Emissions (Used After Code Date 98123100 and Before Code Date 99100100).	1254	807084	Screw (Rocker Cover Stud) (Used After Code Date 01120200).
990	691959	Key Set			692816 Label-Emissions (Used Before Code Date 99010100).	1330	272144	Repair Manual
996B	690917	Shield-Carburetor				1346	492031	Valve-Oil Drain Shut Off
1004A	806422	Duct-Air						
1005	809441	Fan-Flywheel (Used After Code Date 03043000).						
		Note						
		690911 Fan-Flywheel (Used Before Code Date 03050100).						

★ Included in Engine Gasket Set-Ref. No. 358.

● Included in Carburetor Overhaul Kit-Ref. No. 121.

◆ Included in Carburetor Gasket Set-Ref. No. 977.

△ Included in Valve Gasket Set-Ref. No. 1095.

Illustrations cover a range of engines. Parts shown without corresponding text may not be used on your specific engine.