



**359700**

# Illustrated Parts List

## Model Series

# 359700

TYPE NUMBERS  
0110.

### TABLE OF CONTENTS

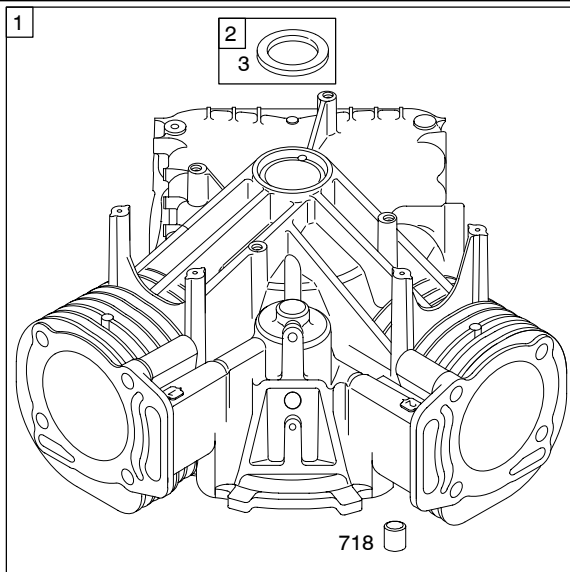
Air Cleaner .....	7
Blower Housing .....	9
Camshaft .....	3
Carburetor .....	4
Controls .....	6
Engine Sump .....	2
Crankshaft .....	3
Cylinder .....	2
Cylinder Head .....	5
Electric Starter .....	11
Flywheel .....	8
Governor Spring .....	6
Ignition .....	6
Intake Manifold .....	3
Gasket Set-Engine .....	2
Gasket Set-Valve .....	5
Lubrication .....	12
Piston, Rings, Connecting Rod .....	2
Shrouds .....	10
Valves .....	5



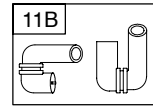
PRINTED IN U.S.A.

COPYRIGHT by BRIGGS & STRATTON CORPORATION  
All rights reserved. No part of this material may be reproduced or transmitted, in any form or by any means, electronic or mechanical, including photocopying, recording or by any information storage and retrieval system, without permission in writing from Briggs & Stratton Corporation.

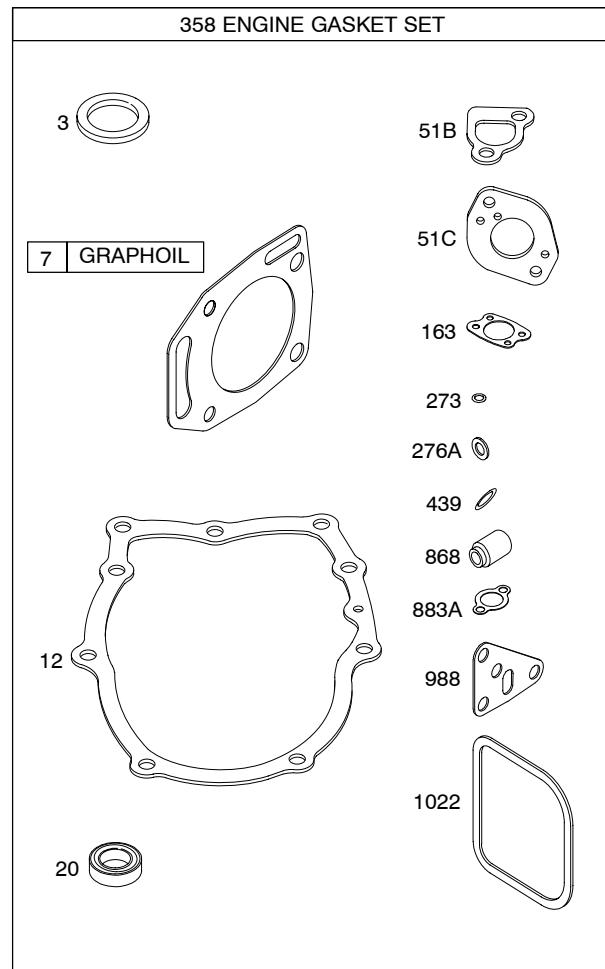
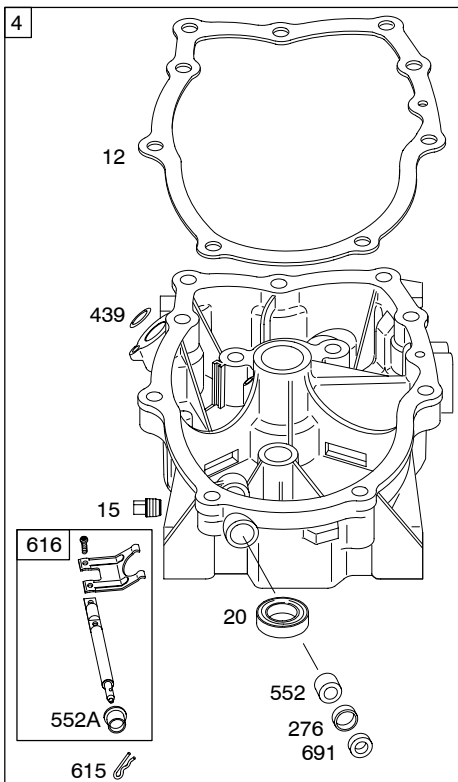
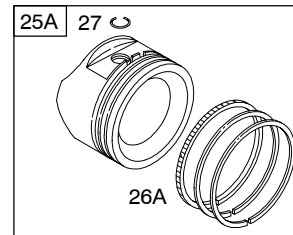
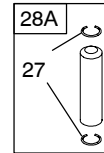
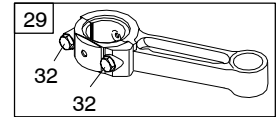
# 359700



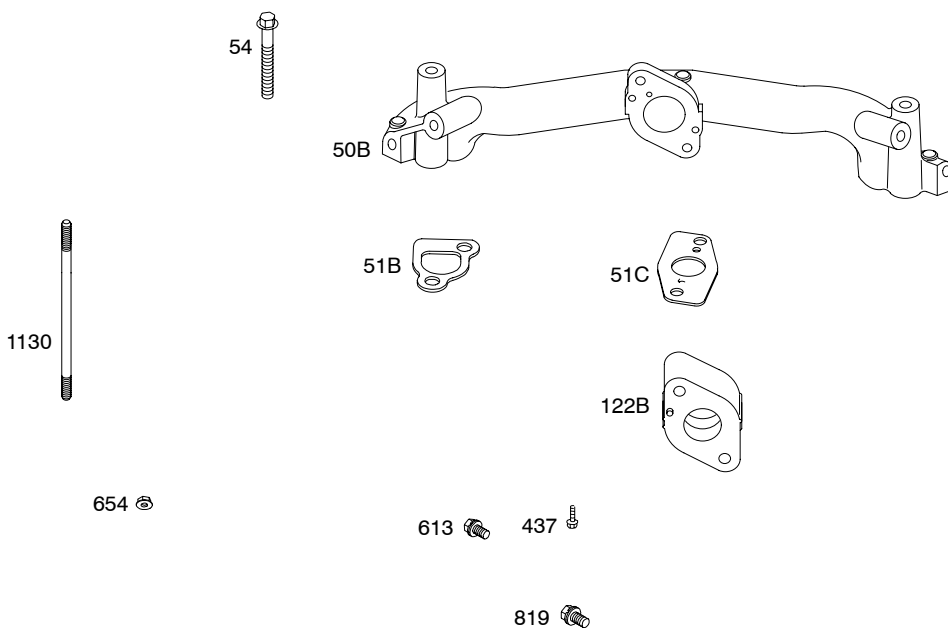
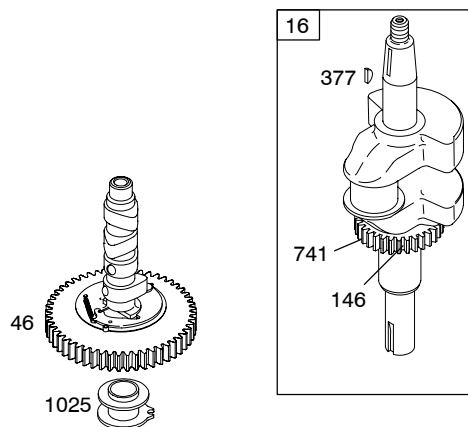
- 1019 LABEL KIT
- 1330 REPAIR MANUAL
- 1058 OPERATOR'S MANUAL



601

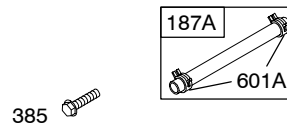
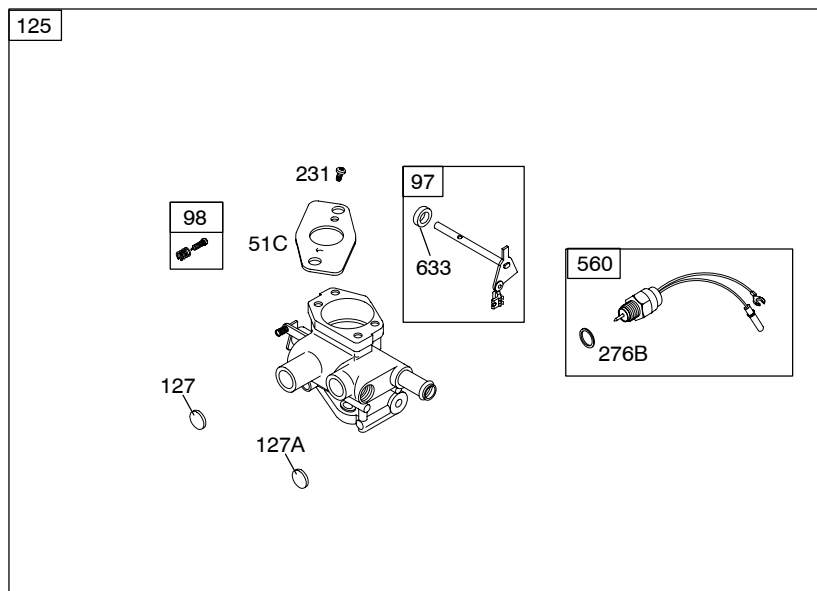


Illustrations cover a range of engines. Parts shown without corresponding text may not be used on your specific engine.  
 6196-2 Assemblies include all parts shown in frames. 12/08/2005

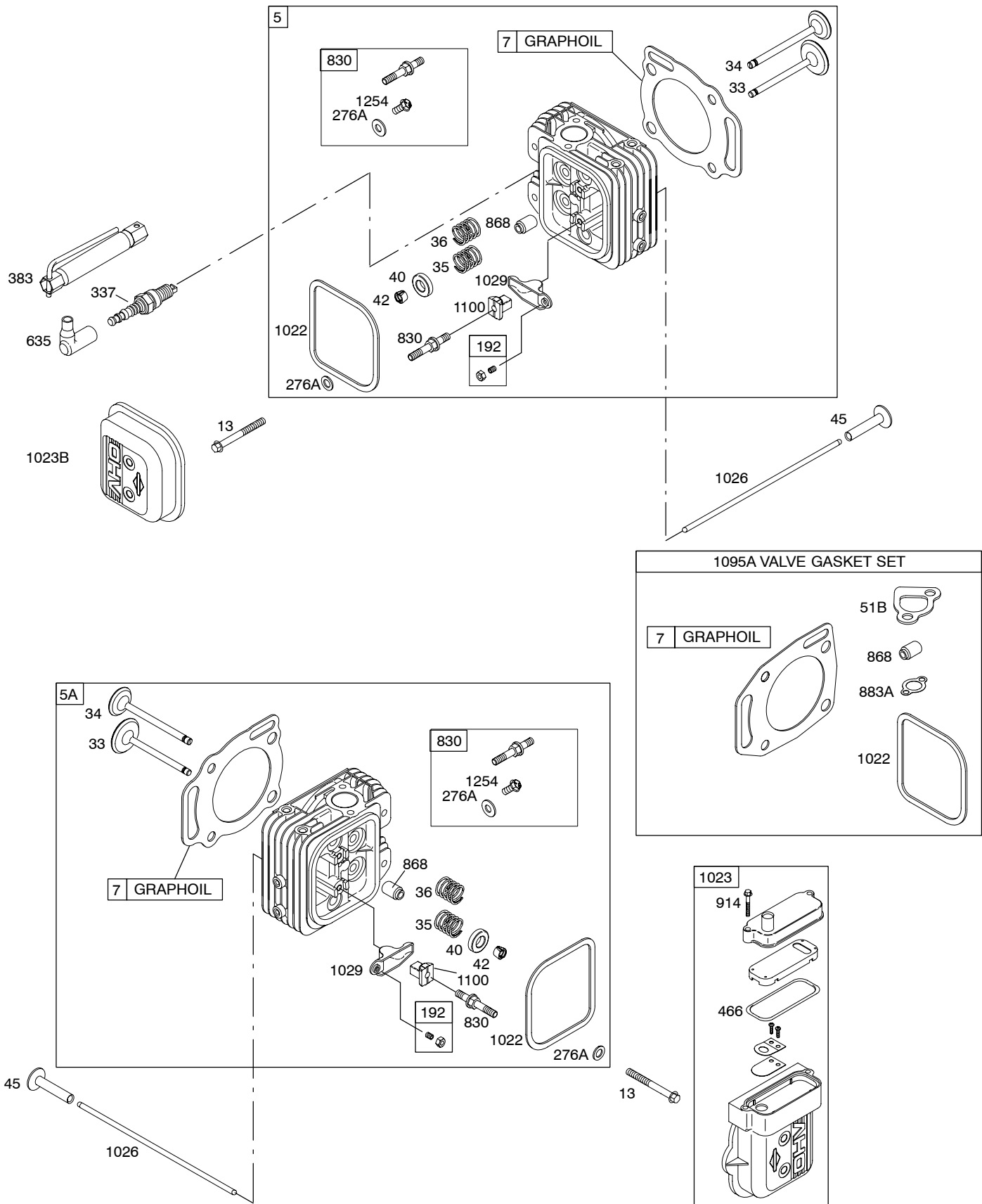


Illustrations cover a range of engines. Parts shown without corresponding text may not be used on your specific engine.  
6196-3 Assemblies include all parts shown in frames. 12/08/2005

# 359700

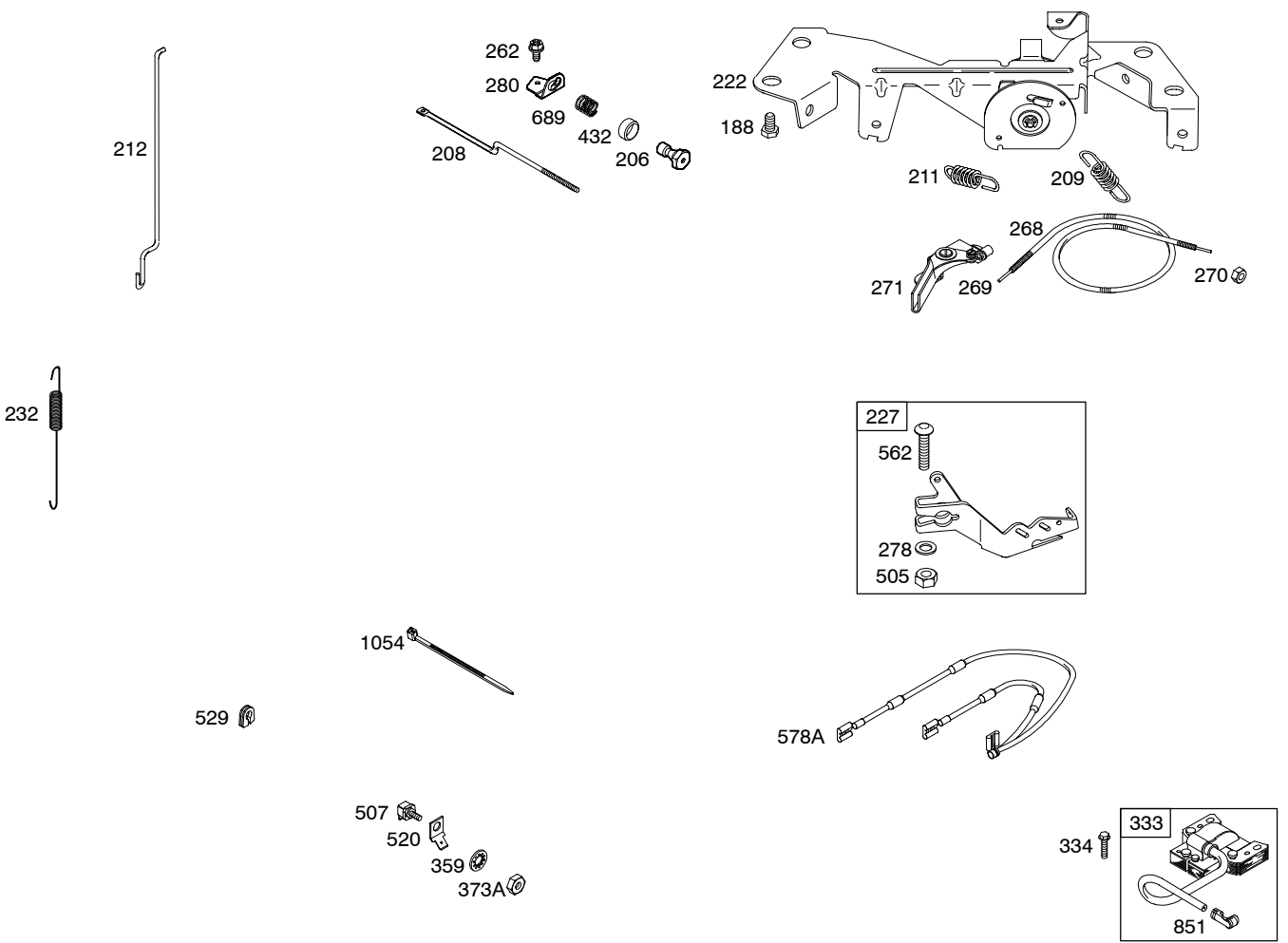


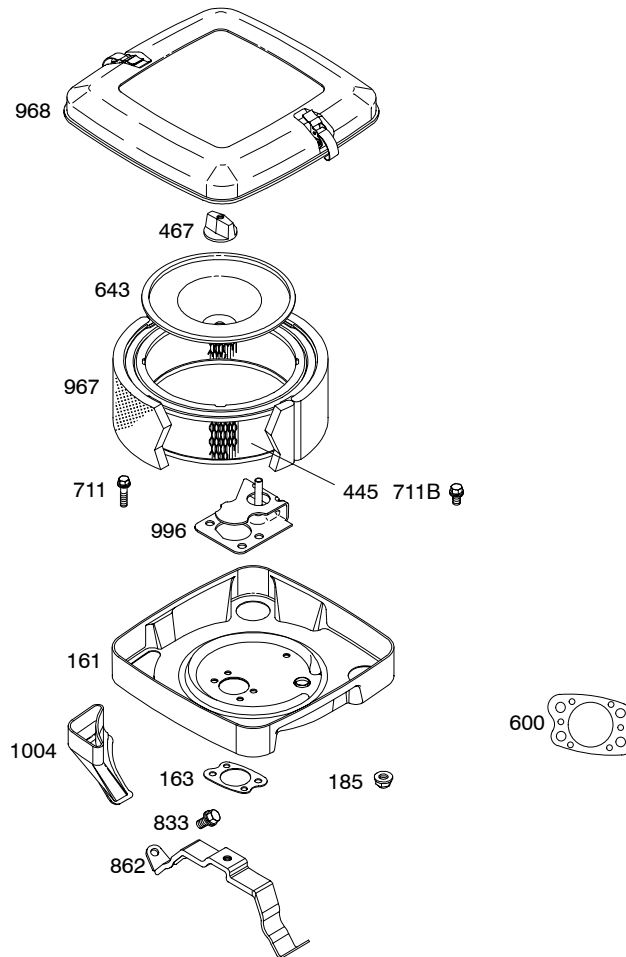
*Illustrations cover a range of engines. Parts shown without corresponding text may not be used on your specific engine.*



Illustrations cover a range of engines. Parts shown without corresponding text may not be used on your specific engine.  
 6196-5 Assemblies include all parts shown in frames. 12/08/2005

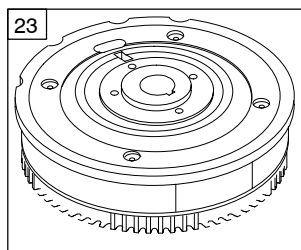
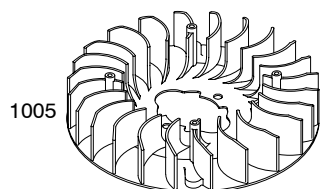
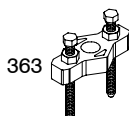
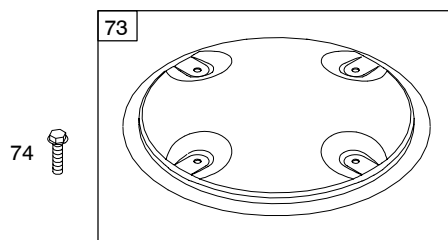
# 359700





*Illustrations cover a range of engines. Parts shown without corresponding text may not be used on your specific engine.*

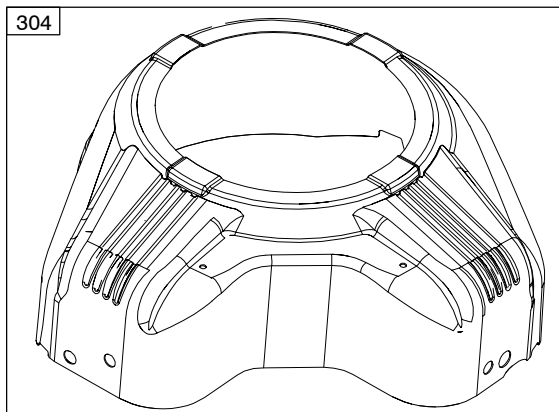
# 359700



6196-8 *Illustrations cover a range of engines. Parts shown without corresponding text may not be used on your specific engine.* Assemblies include all parts shown in frames.

12/08/2005

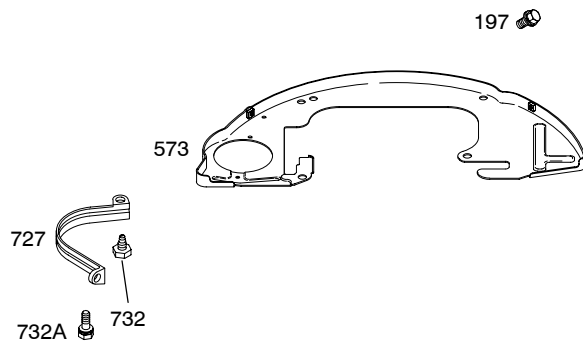
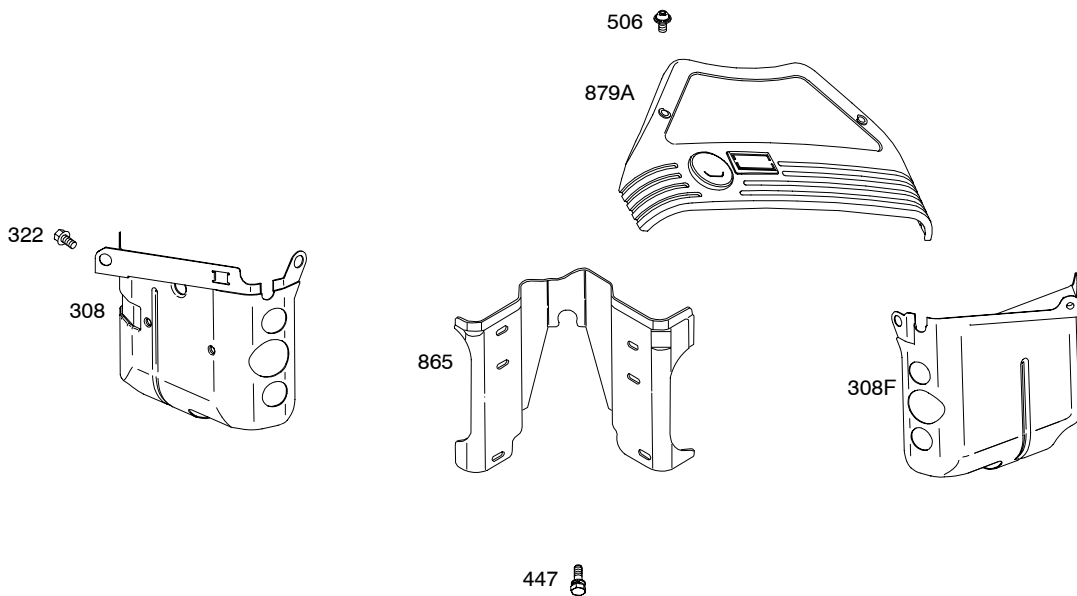




1036 EMISSION LABEL

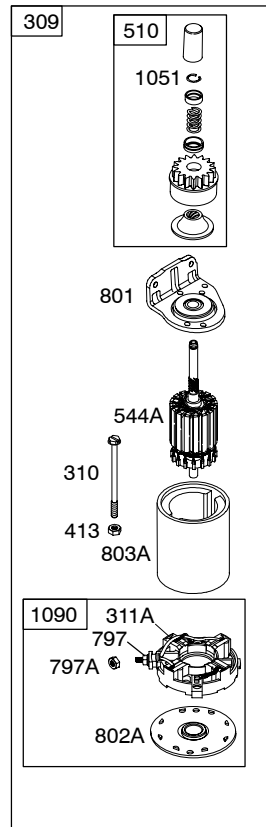
*Illustrations cover a range of engines. Parts shown without corresponding text may not be used on your specific engine.*

# 359700

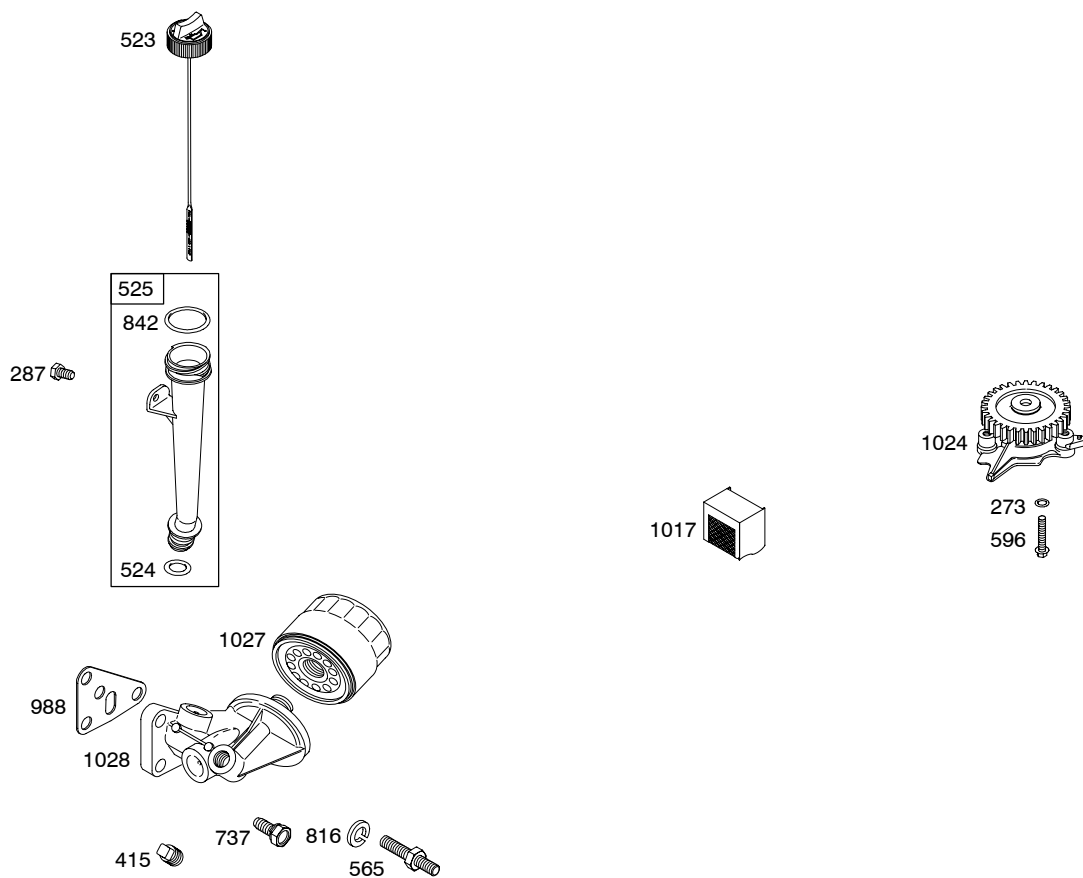


**Illustrations cover a range of engines. Parts shown without corresponding text may not be used on your specific engine.**  
6196-10 Assemblies include all parts shown in frames. 12/08/2005

697 



# 359700



*Illustrations cover a range of engines. Parts shown without corresponding text may not be used on your specific engine.*

**359700**

REF. NO.	PART NO.	DESCRIPTION	REF. NO.	PART NO.	DESCRIPTION	REF. NO.	PART NO.	DESCRIPTION
1	692545	Cylinder Assembly	51C	★691694	Gasket-Intake	271	691028	Lever-Control
2	808534	Kit-Bushing/Seal (Magneto Side)	54	690676	Screw (Intake Manifold)	273	★690681	Seal-O Ring (Oil Pump)
3	★805101s	Seal-Oil (Magneto Side)	73	841440	Screen-Rotating	276	690704	Washer-Sealing (Crankcase Cover/Sump)
4	841933	Sump-Engine	74	841441	Screw (Rotating Screen)	276A	★807085	Washer-Sealing (Rocker Cover)
5	808698	Head-Cylinder	75	691490	Washer (Flywheel)	276B	806998	Washer-Sealing (LP/NG Fuel Switch)
5A	808699	Head-Cylinder	97	808397	Shaft-Throttle	278	842122	Washer (Governor Control Lever)
7	★Δ690888	Gasket-Cylinder Head	98	808177	Kit-Idle Speed	280	691526	Bracket-Rod
11B	841017	Tube-Breather	122B	690748	Spacer-Carburetor	287	807084	Screw (Dipstick Tube)
12	★691684	Gasket-Crankcase	125	808692	Carburetor	304	841397	Housing-Blower
13	692059	Screw (Cylinder Head)	127	806460	Plug-Welch	305	692056	Screw (Blower Housing)
15	690946	Plug-Oil Drain	127A	694916	Plug-Welch	305A	692062	Screw (Blower Housing)
16	841934	Crankshaft	146	691639	Key-Timing	305B	807163	Screw (Blower Housing)
20	★805049s	Seal-Oil (PTO Side)	161	691561	Base-Air Cleaner (Metal)	308	841183	Cover-Cylinder Head (Cylinder 1)
22	807362	Screw (Crankcase Cover/Sump)	163	★692081	Gasket-Air Cleaner	308F	841182	Cover-Cylinder Head (Cylinder 2)
23	842259	Flywheel	185	690939	Nut (Air Cleaner Base)	309	691564	Motor-Starter
25A	808326	Piston Assembly ----- <b>Note</b> ----- 808337 Piston Assembly (.020" Oversize)	187A	791766	Line-Fuel (Cut To Required Length) (Used After Code Date 05063000). ----- <b>Note</b> ----- 691050 Line-Fuel (Cut To Required Length) (Used Before Code Date 05070100).	310	690323	Screw (Starter Motor)
26A	807889	Ring Set ----- <b>Note</b> ----- 807995 Ring Set (.020" Oversize)	188	692056	Screw (Control Bracket)	311A	497608	Brush Set
27	690683	Lock-Piston Pin	192	807623	Adjuster-Rocker Arm	332	690887	Nut (Flywheel)
28A	807886	Pin-Piston	197	807163	Screw (Back Plate)	333	492341	Armature-Magneto
29	807900s	Rod-Connecting ----- <b>Note</b> ----- 807803 Rod- Connecting (.020" Undersize)	206	691244	Nut-Governor Adjusting	334	692066	Screw (Magneto Armature)
32	690698	Screw (Connecting Rod)	208	691549	Rod-Governor Control	337	491055s	Plug-Spark
33	807681	Valve-Exhaust	209	691506	Spring-Governor	358	841188	Gasket Set-Engine
34	807680	Valve-Intake	211	692068	Spring-Governed Idle	359	691077	Washer (Ground Terminal)
35	692084	Spring-Valve (Intake)	212	690712	Link-Throttle	363	19203	Puller-Flywheel
36	692084	Spring-Valve (Exhaust)	222	808454	Bracket-Control	373A	691612	Nut (Ground Terminal)
40	692058	Retainer-Valve	227	690236	Lever-Governor Control	377	808095	Key-Woodruff
42	807683	Keeper-Valve	231	690718	Screw (Choke Valve)	383	19374s	Wrench-Spark Plug
45	690977	Tappet-Valve	232	692073	Spring-Governor Link	385	807084	Screw (Fuel Pump)
46	691557	Camshaft	262	692083	Screw (Rod Bracket)	413	693587	Nut (Starter Motor)
50B	690754	Manifold-Intake	268	691025	Casing-Control Wire	415	690283	Plug
51B	★Δ692035	Gasket-Intake	269	691026	Wire-Control	432	691509	Cap-Spring
			270	691027	Nut (Control Wire Casing)			

★ Included in Engine Gasket Set-Ref. No. 358.

Δ Included in Valve Gasket Set-Ref. No. 1095.

*Illustrations cover a range of engines. Parts shown without corresponding text may not be used on your specific engine.*

**359700**

REF. NO.	PART NO.	DESCRIPTION	REF. NO.	PART NO.	DESCRIPTION	REF. NO.	PART NO.	DESCRIPTION
437	691902	Screw (Exhaust Manifold)	635	692076	Boot-Spark Plug	967	272490s	Filter-Pre Cleaner
439	★692154	Seal-O Ring (Crankcase Cover/Sump)	643	692079	Retainer-Air Filter	968	699959	Cover-Air Cleaner
445	841359	Filter-Air Cleaner Cartridge	654	690939	Nut (Carburetor)	988	★692063	Gasket-Oil Adapter
447	841233	Screw (Air Guide Cover)	689	691272	Spring-Friction	996	691577	Shield-Carburetor
466	806466	Seal-O Ring (Breather Assembly)	691	690680	Seal-Governor Shaft	1004	807121	Duct-Air
467	691985	Knob-Air Cleaner	697	692062	Screw (Drive Cap)	1005	841439	Fan-Flywheel
505	690238	Nut (Governor Control Lever)	711	807084	Screw (Carburetor Shield)	1006	690452	Retainer-Fan
506	807120	Screw (Carburetor Cover)	711B	841233	Screw (Carburetor Shield)	1017	690878	Screen-Oil Pump
507	691972	Insulator	718	806469	Pin-Locating	1019	808158	Kit-Label
510	496881	Drive-Starter	727	841313	Cover-Starter Drive	1022★△	806039s	Gasket-Rocker Cover
520	691084	Terminal-Ground	729B	690586	Clip-Wire	1023	808648	Cover-Rocker
523	692101	Dipstick	732	690688	Screw (Starter Drive Cover)	1023B	691494	Cover-Rocker
524	692053	Seal-Dipstick Tube	732A	841233	Screw (Starter Drive Cover)	1024	693186	Pump-Oil
525	692093	Tube-Dipstick	737	690679	Screw (Oil Filter Adapter)	1025	690689	Spool-Governor
529	690744	Grommet	741	691530	Gear-Timing	1026	691836	Rod-Push (Intake)(Steel)
544A		Armature-Starter (For Replacement Armature, Order Reference 309)	797	693167	Nut (Brush Retainer)			----- <b>Note</b> -----
552	690701	Bushing-Governor Crank	797A	691029	Nut (Brush Retainer)			<b>691758</b> Rod-Push (Exhaust)(Aluminum)
552A	806686	Bushing-Governor Crank	801	808778	Cap-Drive	1027	492932s	Filter-Oil
560	808693	Switch-LP/NG Fuel	802A	691286	Cap-End	1028	808235	Adapter-Oil Filter
562	690239	Bolt (Governor Control Lever)	803A	693547	Housing-Starter	1029	807323	Arm-Rocker
565	690682	Stud (Oil Filter Adapter)	816	690706	Washer (Oil Filter Adapter)	1036		Label-Emissions (Available from an Authorized Briggs & Stratton Service Dealer)
573	841310	Plate-Back	819	692056	Screw (Muffler Bracket)	1044	692056	Screw (Flywheel)
578A	692319	Wire Assembly	830	809157	Stud-Rocker Arm	1051	691124	Ring-Retaining
596	691492	Screw (Oil Pump)	833	841233	Screw (Air Cleaner Mounting Strap/Stud)	1054	280275	Tie-Cable
600	841016	Spacer-Air Cleaner	842	691870	Seal-O Ring (Dipstick Tube)	1058	276353	Operator's Manual
601	691145	Clamp-Hose	851	493880s	Terminal-Spark Plug	1090	691293	Retainer-Brush
601A	791850	Clamp-Hose	862	692153	Strap/Stud-Air Cleaner Mounting	1095A	841191	Gasket Set-Valve
613	691902	Screw (Muffler)	865	807119	Cover-Air Guide	1100	690973	Pivot-Rocker Arm
615	691550	Retainer-Governor Shaft	868	★△691963	Seal-Valve	1130	690869	Stud (Intake Manifold)
616	806685	Crank-Governor	879A	807118	Cover-Carburetor	1135	806497	Washer (Crankcase Cover/Sump)
633	695414	Seal-Choke/Throttle Shaft	883A	★△691613	Gasket-Exhaust	1254	807084	Screw (Rocker Cover Stud)
			914	806421	Screw (Rocker Cover)	1330	272144	Repair Manual
			934	691058	Screw (Fan Retainer)			

★ Included in Engine Gasket Set-Ref. No. 358.

△ Included in Valve Gasket Set-Ref. No. 1095.

*Illustrations cover a range of engines. Parts shown without corresponding text may not be used on your specific engine.*