



**354400**

# Illustrated Parts List

## Model Series

# 354400

TYPE NUMBERS  
0030 through 0424.

### TABLE OF CONTENTS

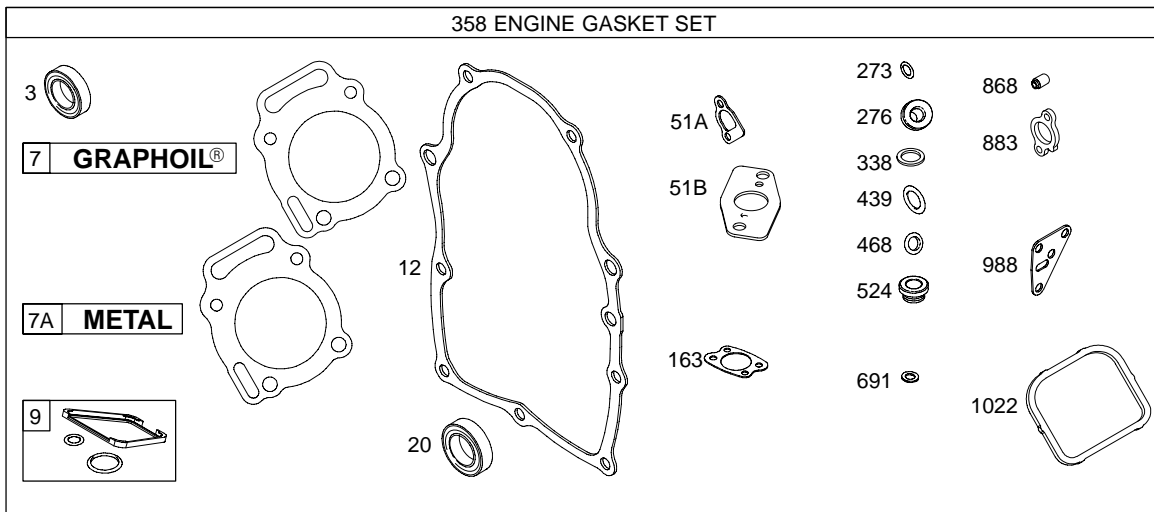
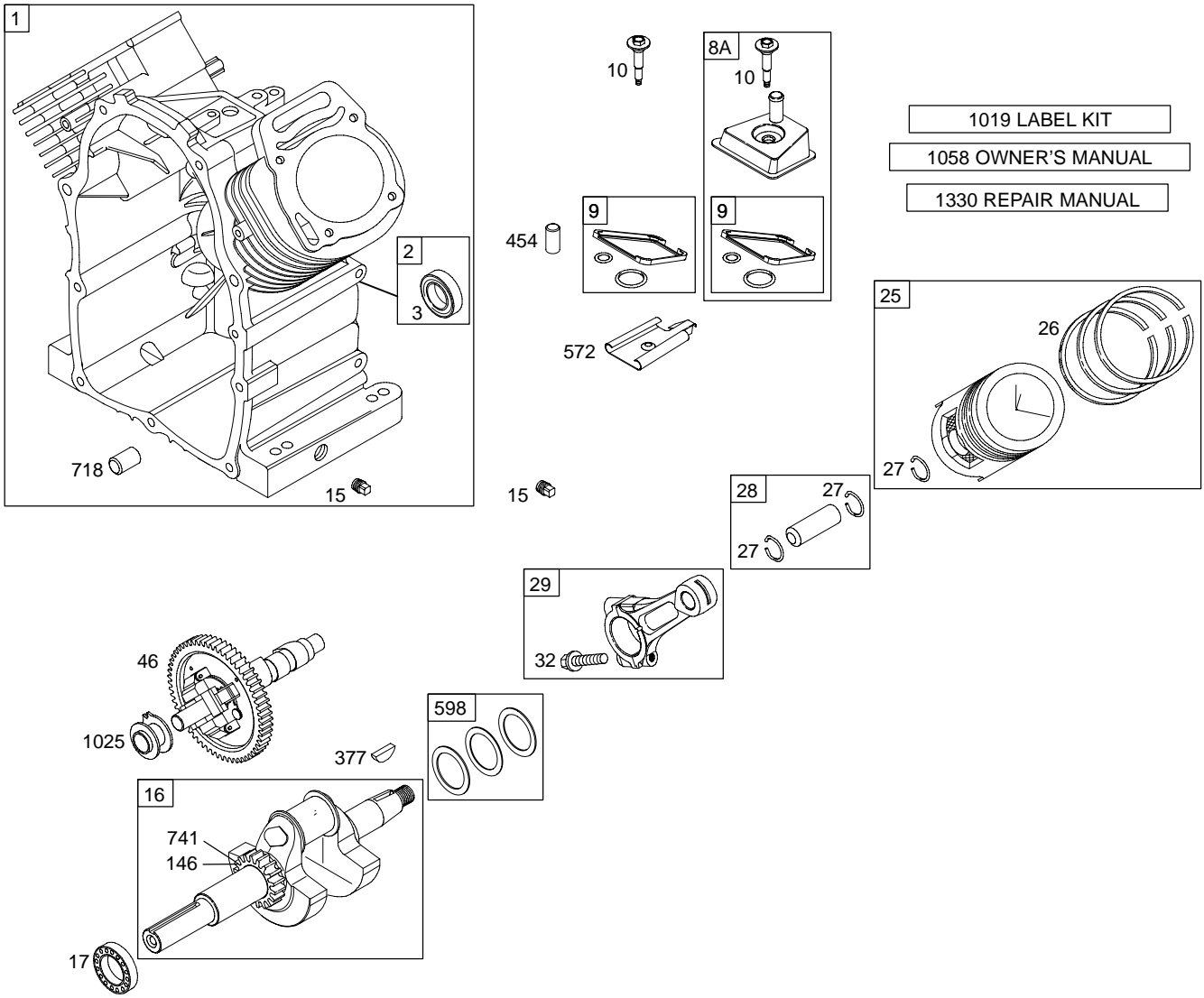
Air Cleaner .....	7
Alternator .....	14
Blower Housing .....	11
Camshaft .....	2
Carburetor .....	6
Controls .....	9
Crankcase Cover .....	4
Crankshaft .....	2
Cylinder .....	2
Cylinder Head .....	3
Electric Starter .....	15 & 16
Exhaust System .....	8
Flywheel .....	12
Fuel Supply .....	6
Gasket Set - Engine .....	2
Gasket Set - Valves .....	3
Governor Spring .....	9
Ignition .....	14
Intake Manifolds .....	4
Lubrication .....	5
Piston, Rings, Connecting Rod .....	2
Rewind Starter .....	13
Shrouds .....	10
Valves .....	3

PRINTED IN U.S.A.

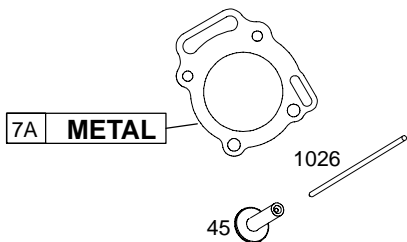
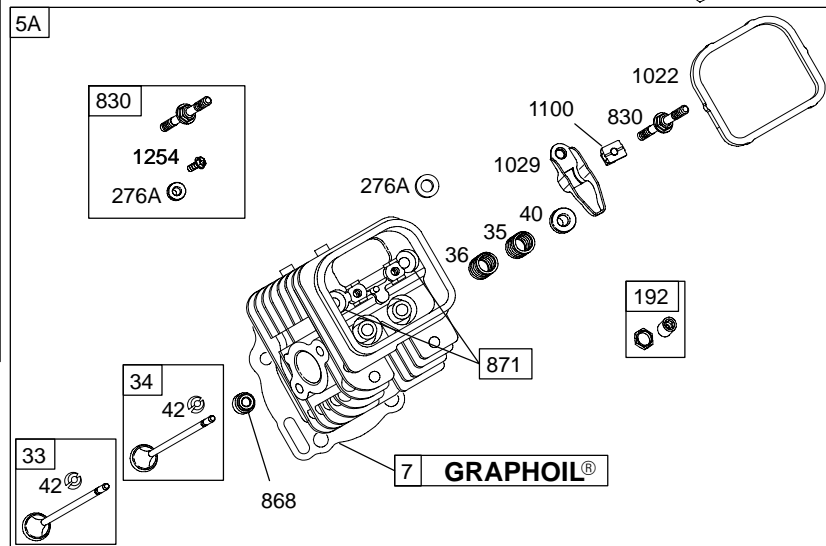
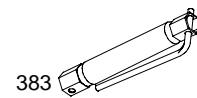
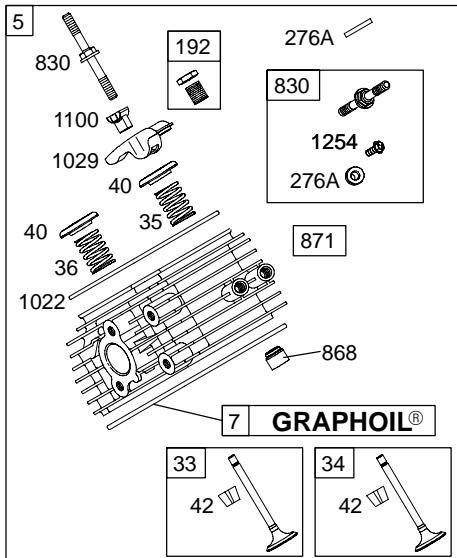
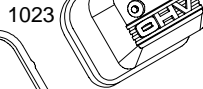
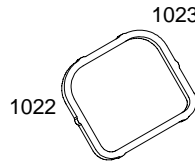
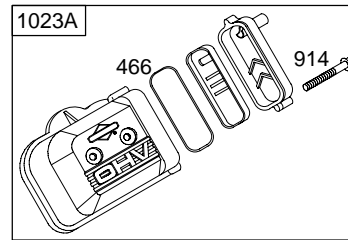
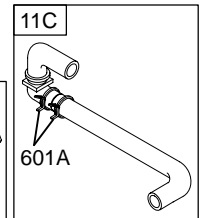
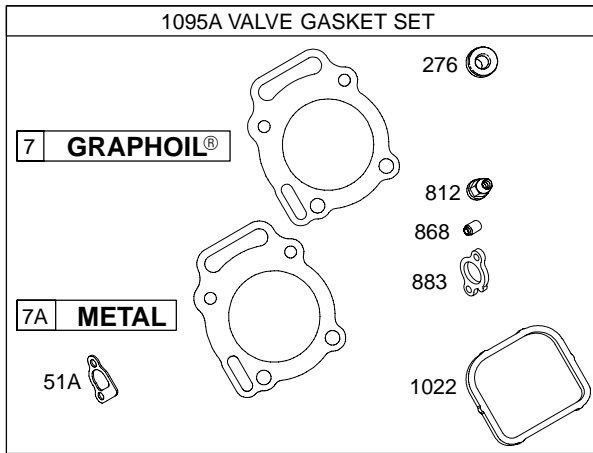


COPYRIGHT by BRIGGS & STRATTON CORPORATION  
All rights reserved. No part of this material may be reproduced or transmitted, in any form or by any means, electronic or mechanical, including photocopying, recording or by any information storage and retrieval system, without permission in writing from Briggs & Stratton Corporation.

# 354400

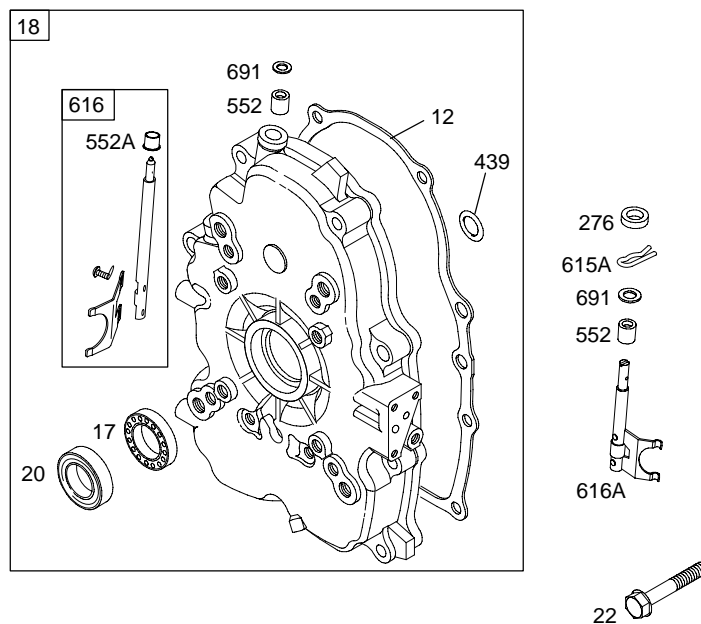
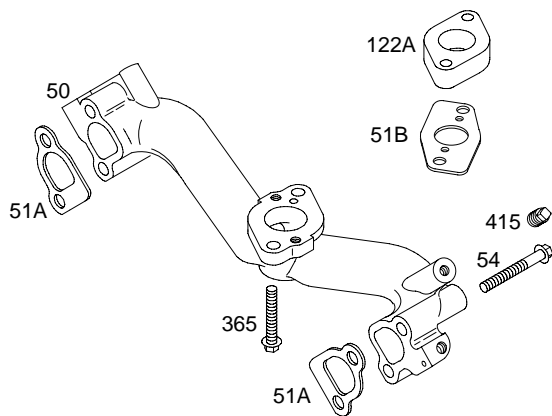


Illustrations cover a range of engines. Parts shown without corresponding text may not be used on your specific engine.  
 6066-2 Assemblies include all parts shown in frames. 07/18/2005

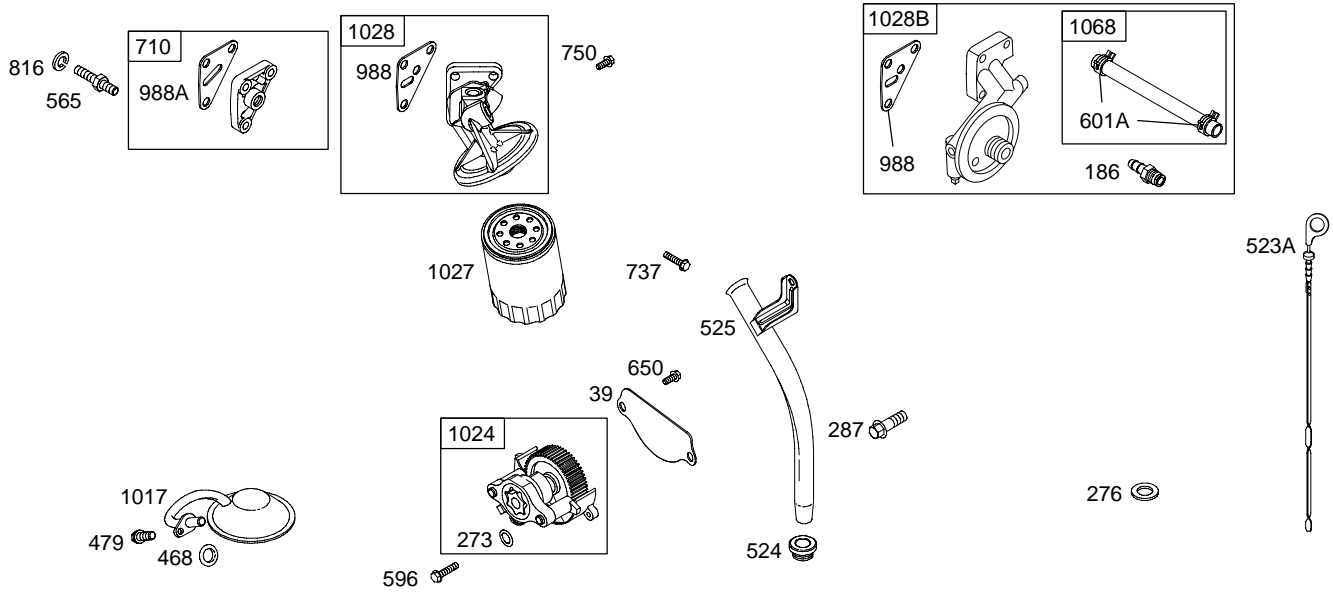


Illustrations cover a range of engines. Parts shown without corresponding text may not be used on your specific engine.  
 6066-3 Assemblies include all parts shown in frames. 07/18/2005

# 354400

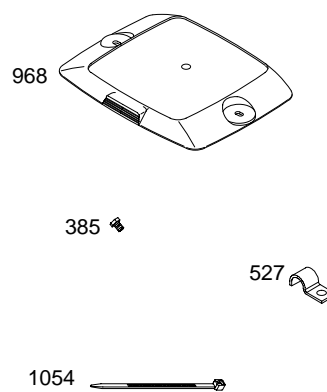
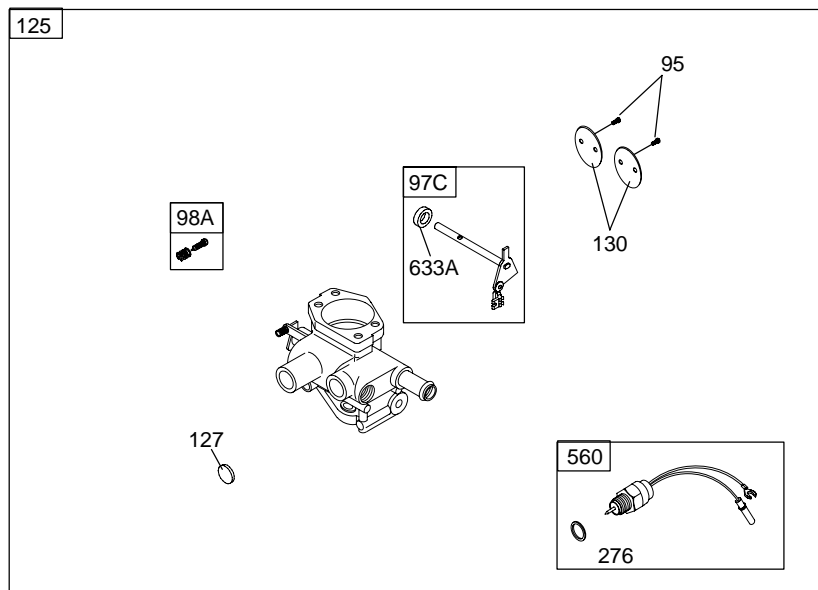


Illustrations cover a range of engines. Parts shown without corresponding text may not be used on your specific engine.  
6066-4 Assemblies include all parts shown in frames. 07/18/2005



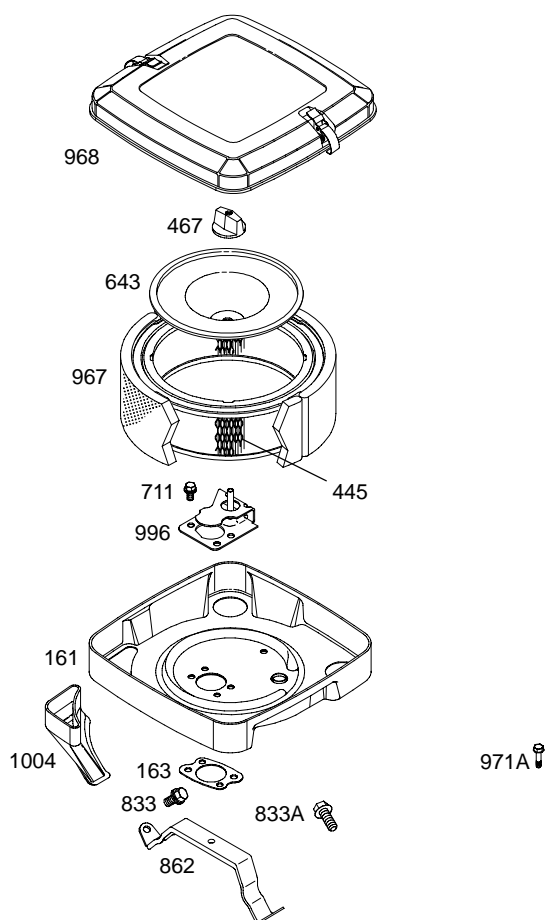
Illustrations cover a range of engines. Parts shown without corresponding text may not be used on your specific engine.  
6066-5 Assemblies include all parts shown in frames. 07/18/2005

# 354400



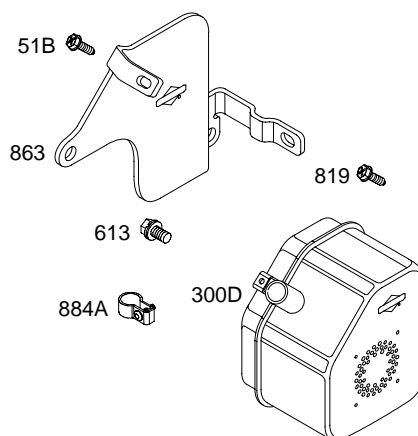
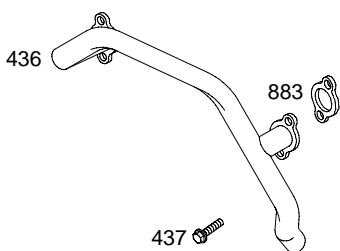
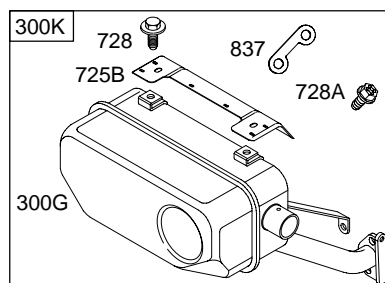
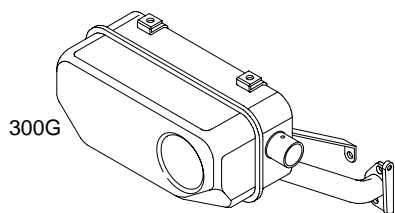
*Illustrations cover a range of engines. Parts shown without corresponding text may not be used on your specific engine.*  
6066-6 Assemblies include all parts shown in frames.

07/18/2005



Illustrations cover a range of engines. Parts shown without corresponding text may not be used on your specific engine.  
6066-7 Assemblies include all parts shown in frames. 07/18/2005

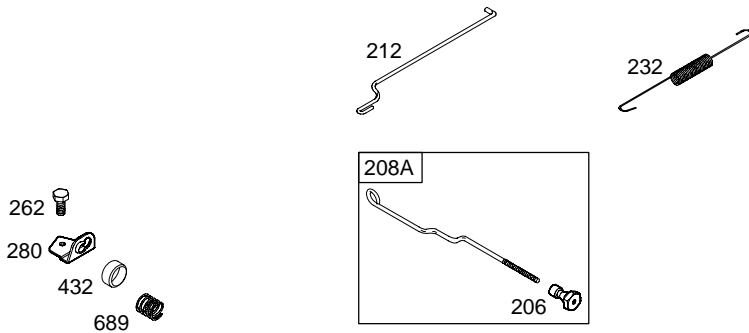
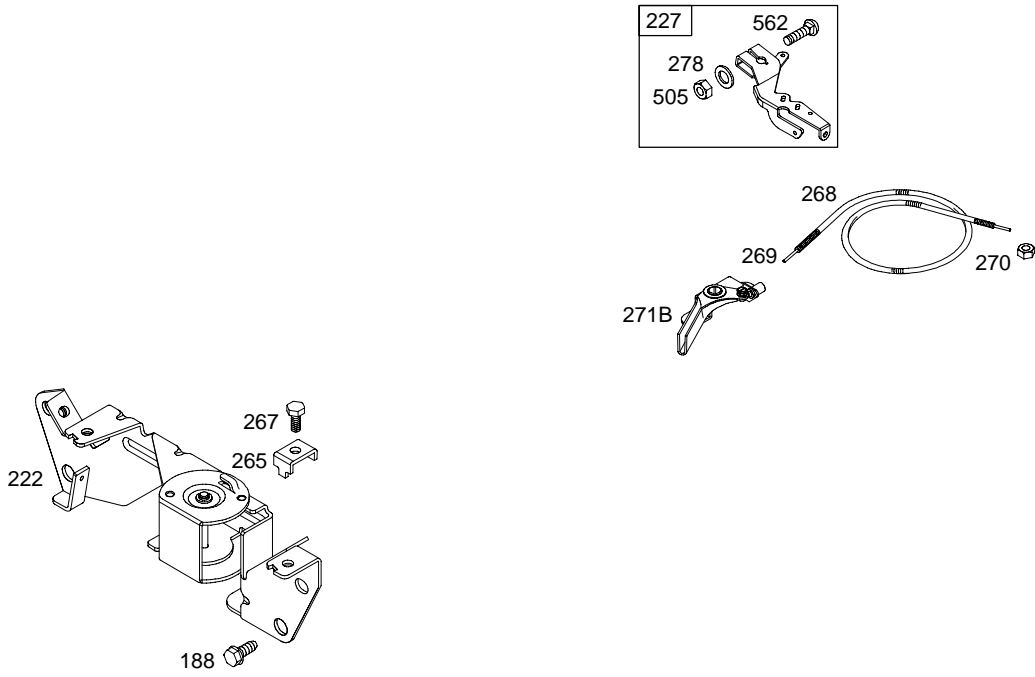
# 354400



Illustrations cover a range of engines. Parts shown without corresponding text may not be used on your specific engine.  
6066-8 Assemblies include all parts shown in frames.

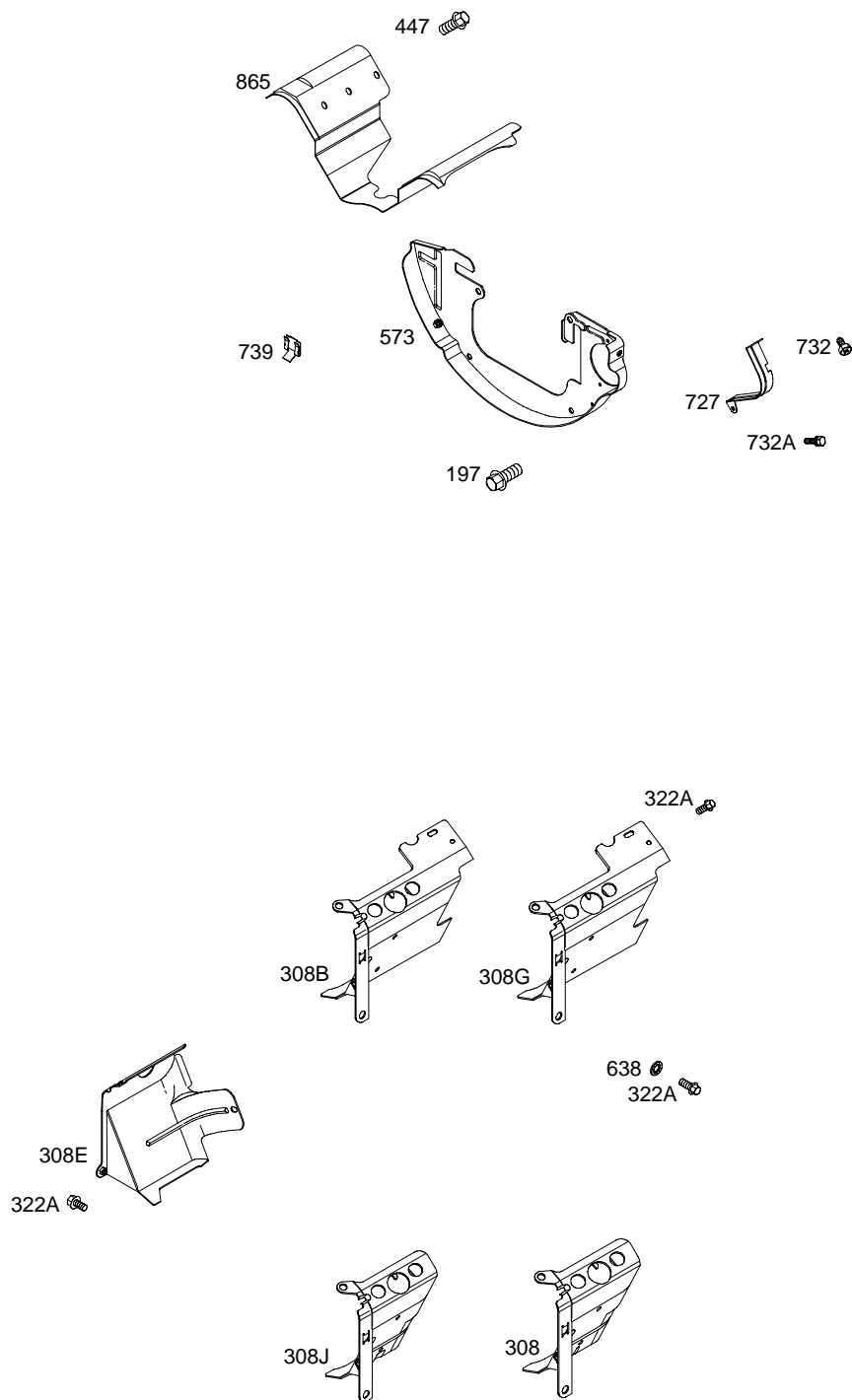
07/18/2005



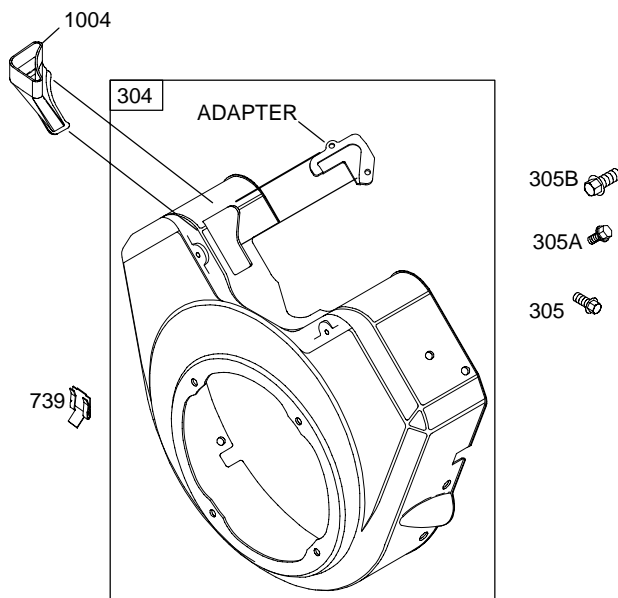


Illustrations cover a range of engines. Parts shown without corresponding text may not be used on your specific engine.  
6066-9 Assemblies include all parts shown in frames. 07/18/2005

# 354400



*Illustrations cover a range of engines. Parts shown without corresponding text may not be used on your specific engine.*  
6066-10 Assemblies include all parts shown in frames. 07/18/2005

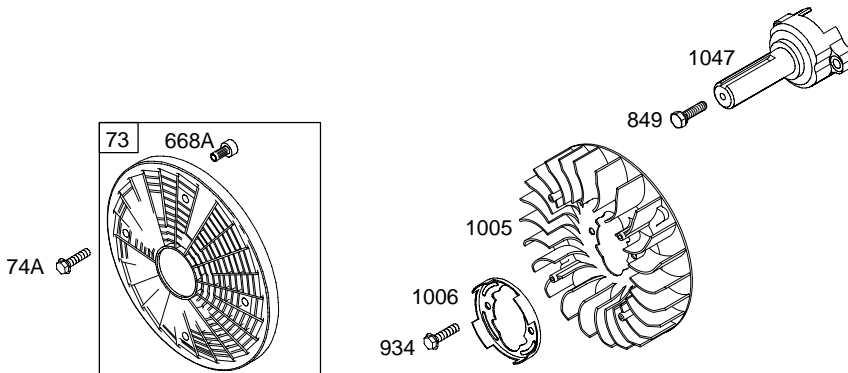
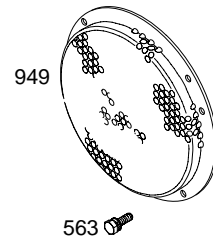
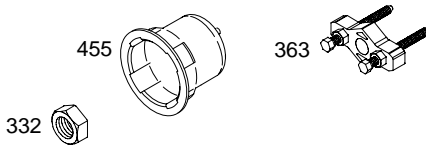
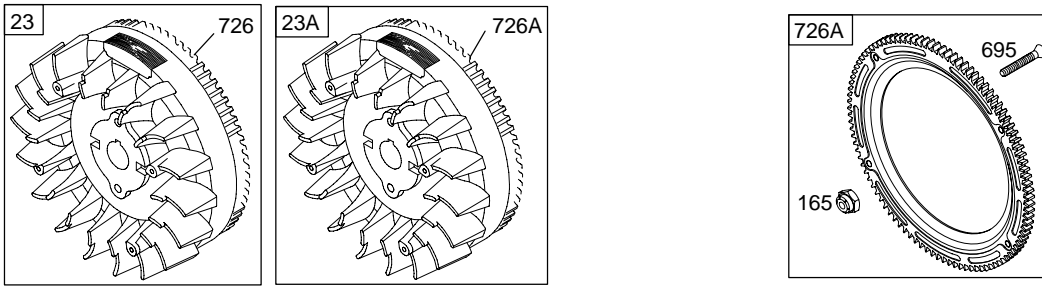


**METAL AIR CLEANER BASE**

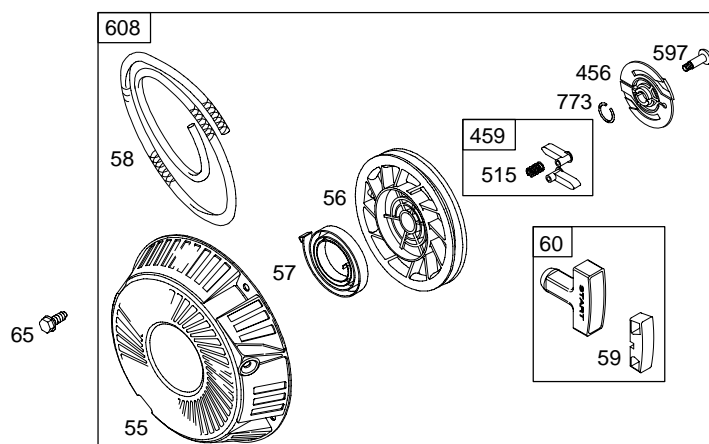
1036 EMISSION LABEL

*Illustrations cover a range of engines. Parts shown without corresponding text may not be used on your specific engine.*  
6066-11 Assemblies include all parts shown in frames. 07/18/2005

# 354400

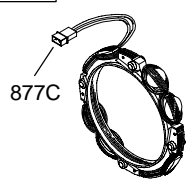
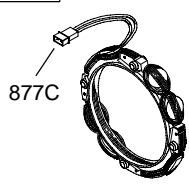
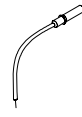
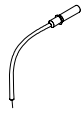




Illustrations cover a range of engines. Parts shown without corresponding text may not be used on your specific engine.  
6066-12 Assemblies include all parts shown in frames. 07/18/2005



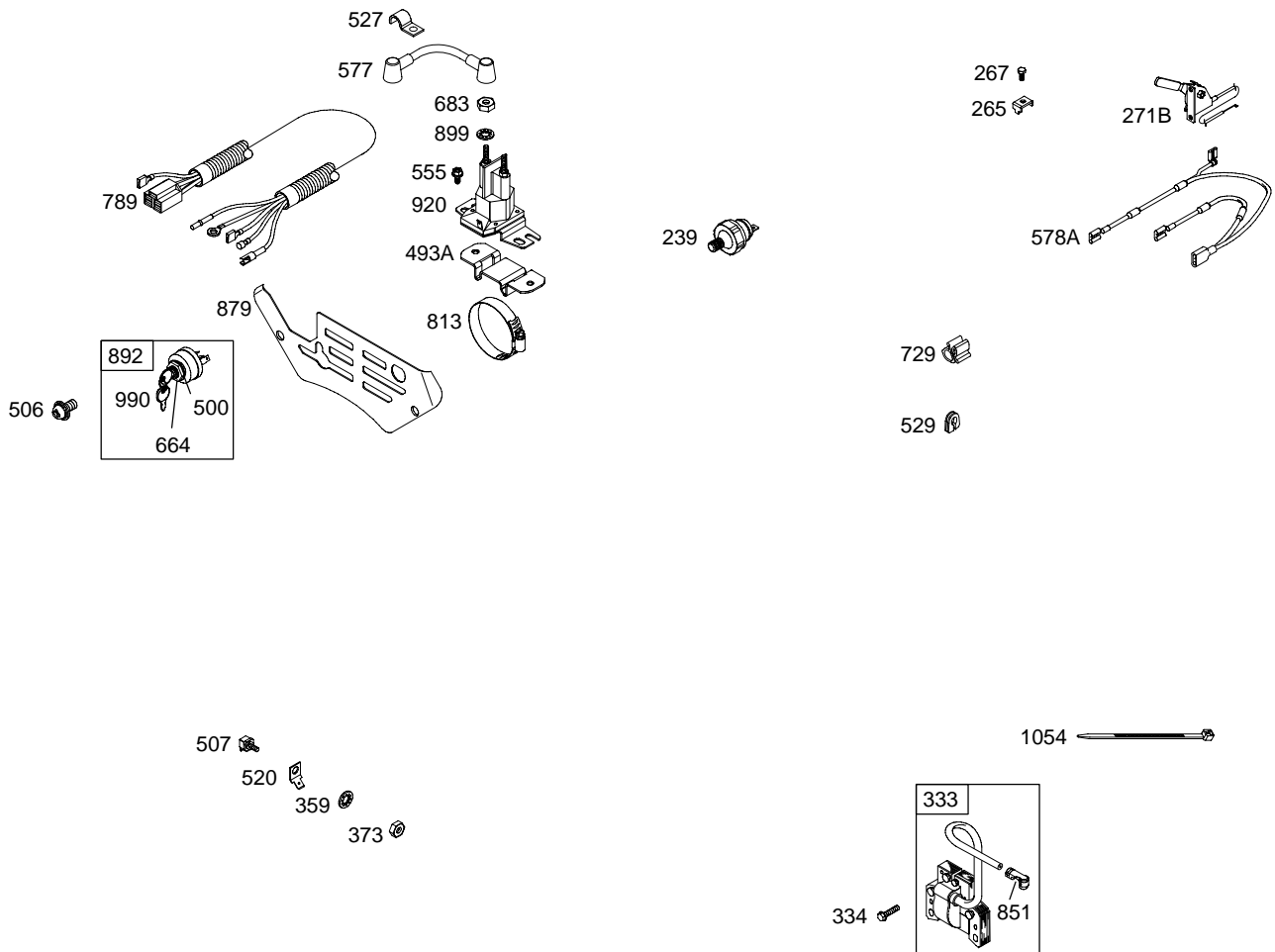
*Illustrations cover a range of engines. Parts shown without corresponding text may not be used on your specific engine.*

# 354400

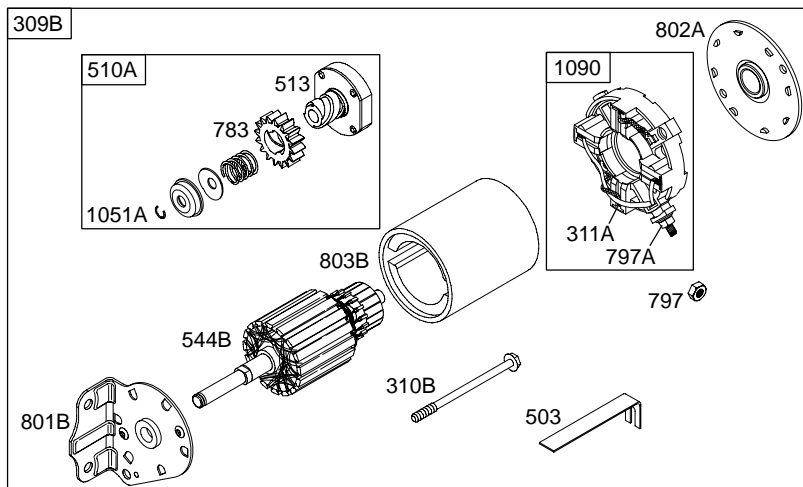
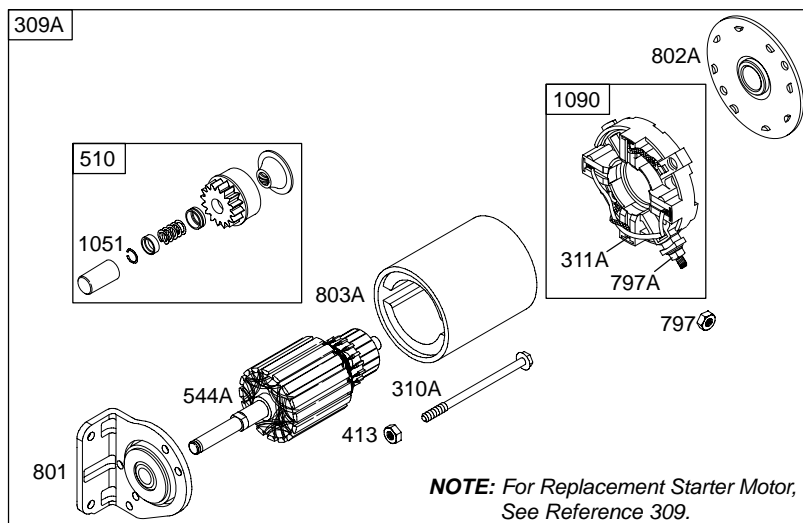
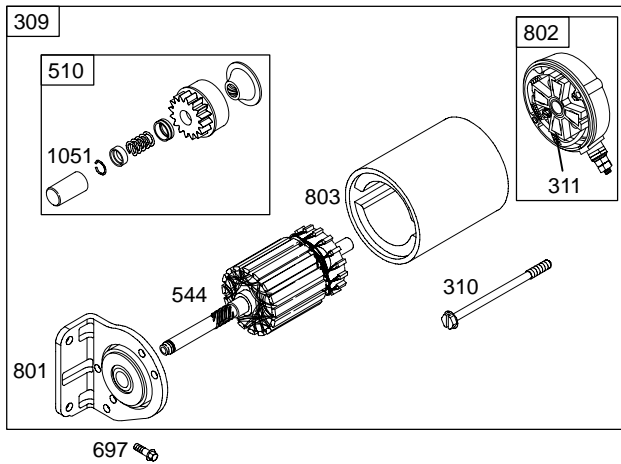
	10 AMP	16 AMP
	474D 	474D 
	578 	578 
	526 501 	

**NOTE:** All stators use a No. 1119 mounting screw. 

**NOTE:** The proper flywheel part number and/or the alternator magnet size will determine the alternator type or output. See repair instruction manual for additional information.

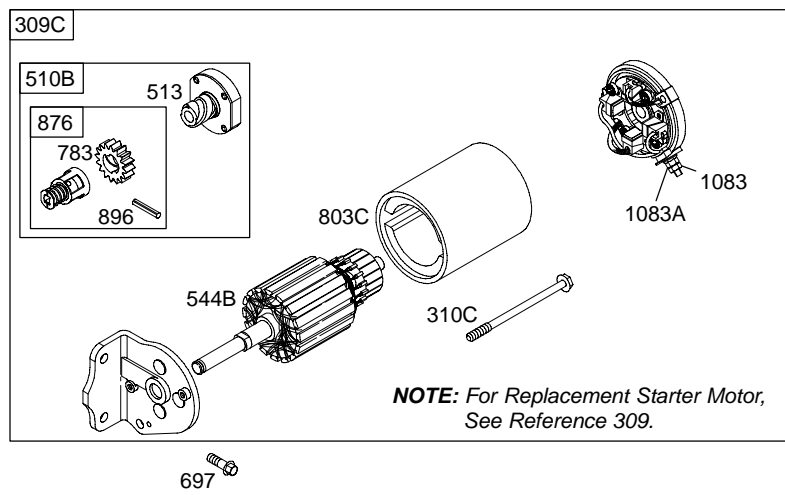


**Illustrations cover a range of engines. Parts shown without corresponding text may not be used on your specific engine.**  
 6066-14 Assemblies include all parts shown in frames. 07/18/2005



Illustrations cover a range of engines. Parts shown without corresponding text may not be used on your specific engine.  
 6066-15 Assemblies include all parts shown in frames. 07/18/2005

# 354400



Illustrations cover a range of engines. Parts shown without corresponding text may not be used on your specific engine.  
6066-16 Assemblies include all parts shown in frames. 07/18/2005





# 354400

REF. NO.	PART NO.	DESCRIPTION	REF. NO.	PART NO.	DESCRIPTION	REF. NO.	PART NO.	DESCRIPTION
127	806460	Plug–Welch	276	690704	Washer–Sealing (Governor Crank)	308J	841182	Cover–Cylinder Head (Cylinder 2) (Non Ducted)
130	806132	Valve–Throttle			----- <b>Note</b> -----			(Used on Type No(s). 0424.)
146	691639	Key–Timing			<b>806998</b> Washer– Sealing	309	691564	Motor–Starter (Services Steel Ring Gear Only)
161	691561	Base–Air Cleaner (Metal)			(LP/NG Fuel Switch)			(For Replacement Starter Motor, Order Reference 309)
163	★692081	Gasket–Air Cleaner	276A	★Δ807085	Washer–Sealing (Head)	309A		Motor–Starter (For Replacement Starter Motor, Order Reference 309B)
165	693148	Nut (Ring Gear)			(Used After Code Date 01120200). ----- <b>Note</b> -----	309B	499521	Motor–Starter (Services Aluminum Ring Gear Only)
186	693184	Connector–Hose			<b>691766</b> Washer– Sealing	309C		Motor–Starter (For Replacement Starter Motor, Order Reference 309B)
188	692056	Screw (Control Bracket)			(Head)	310	496880	Screw (Starter Motor) (4 1/4" Long)
192	807623	Adjuster–Rocker Arm			(Used Before Code Date 01120300).	310A	690323	Screw (Starter Motor) (4 7/16" Long)
197	807163	Screw (Back Plate)	278	842122	Washer (Governor Control Lever)	310B	691263	Screw (Starter Motor)
206	691244	Nut–Governor Adjusting	280	691526	Bracket–Rod	310C	692329	Screw (Starter Motor)
208A	691549	Rod–Governor Control	287	692062	Screw (Dipstick Tube)	311	496887	Brush Set
209	691506	Spring–Governor	300D	692099	Muffler	311A	497608	Brush Set
209A	692070	Spring–Governor Used on Type No(s). 0030, 0300.	300G	691562	Muffler (Hi Mount) (Oil Filter Side Exit)	322A	841233	Screw (Cylinder Head Cover)
211	692069	Spring–Governed Idle Used on Type No(s). 0030, 0300.	300K	808379	Muffler	332	690887	Nut (Flywheel)
211A	692068	Spring–Governed Idle	304	690930	Housing–Blower	333	492341	Armature–Magneto
212	690712	Link–Throttle	305	692056	Screw (Blower Housing) (M8 X 14)	334	692066	Screw (Magneto Armature)
222	808454	Bracket–Control	305A	841233	Screw (Blower Housing) (M6 X 10)	337	491055	Plug–Spark
227	690236	Lever–Governor Control	305B	807163	Screw (Blower Housing)	338	★691312	Gasket–Dipstick
232	692073	Spring–Governor Link	308	841232	Cover–Cylinder Head (Cylinder 1) (Non Ducted)	358	841188	Gasket Set–Engine (Used After Code Date 01120200). ----- <b>Note</b> -----
239	491657	Switch–Oil Pressure	308B	841317	Cover–Cylinder Head (Cylinder 1)(Ducted)			<b>808704</b> Gasket Set–Engine (Used Before Code Date 01120300).
262	692083	Screw (Rod Bracket)	308E	806544	Cover–Cylinder Head (Cylinder 2)(Ducted)	359	691077	Washer (Ground Terminal)
265	691024	Clamp–Casing	308G	692805	Cover–Cylinder Head (Cylinder 2) (Non Ducted)	363	19203	Puller–Flywheel
267	692083	Screw (Casing Clamp)				365	690711	Screw (Carburetor)
268	691025	Casing–Control Wire (Cut To Required Length)						
269	691026	Wire–Control (Cut To Required Length)						
270	691027	Nut (Control Wire Casing)						
271B	691028	Lever–Control						
273	★690681	Seal–O Ring (Oil Pump)						

★ Included in Engine Gasket Set–Ref. No. 358.

Δ Included in Valve Gasket Set–Ref. No. 1095A.

**Illustrations cover a range of engines. Parts shown without corresponding text may not be used on your specific engine.**  
6066–18 Assemblies include all parts shown in frames. 07/18/2005

**354400**

REF. NO.	PART NO.	DESCRIPTION	REF. NO.	PART NO.	DESCRIPTION	REF. NO.	PART NO.	DESCRIPTION
373	691612	Nut (Ground Terminal)	501	691185	Regulator	562	690239	Bolt (Governor Control Lever)
377	808095	Key-Woodruff	503	691532	Strap-Starter	563	691982	Screw (Debris Screen Guard)
383	19374	Wrench-Spark Plug	505	690238	Nut (Governor Control Lever)	565	690682	Stud (Oil Filter Adapter)
385	807084	Screw (Fuel Pump)	506	690677	Screw (Carburetor Cover)	572	690686	Baffle-Breather (Used Before Code Date 04060100).
413	693587	Nut (Starter Motor)	507	691972	Insulator	573	841310	Plate-Back
415	690283	Plug (Intake Manifold)	510	496881	Drive-Starter (Services Steel Ring Gear Only)(For Replacement Starter Motor, See Ref 309B)	577	690795	Cable-Starter
432	691509	Cap-Spring	510A	696541	Drive-Starter (Used with Aluminum Ring Gear)	578	692306	Wire Assembly
436	692061	Manifold-Exhaust (Lo Mount) (Oil Filter Side)	510B	696540	Drive-Starter (For 4-3/8" Housing Length)	578A	692319	Wire Assembly
437	691902	Screw (Exhaust Manifold)	513	692024	Clutch-Drive	596	691492	Screw (Oil Pump)
439	★692154	Seal-O Ring (Crankcase Cover/Sump)	515	691528	Spring-Pawl	597	690876	Screw (Pawl Friction Plate)
445	841359	Filter-Air Cleaner Cartridge	520	691084	Terminal-Ground	598	807625	Shim-End Play (Crankshaft)
447	841233	Screw (Air Guide Cover)	522	491832	Plug-Dipstick/Fill	601A	691145	Clamp-Hose
454	693289	Cap-Breather	523A	693175	Dipstick	608	692102	Starter-Rewind
455	690864	Cup-Flywheel	524	★693172	Seal-Dipstick Tube	613	692056	Screw (Muffler)
456	691529	Plate-Pawl Friction	525	693174	Tube-Dipstick	615A	691550	Retainer-Governor Shaft
459	808166	Pawl-Ratchet	526	692067	Screw (Regulator)	616	806685	Crank-Governor (Used After Code Date 99072000).
466	806466	Seal-O Ring (Breather Assembly)	527	690423	Clamp-Tube	616A	690899	Crank-Governor (Used Before Code Date 99072100).
467	691985	Knob-Air Cleaner	529	690744	Grommet	633A	695414	Seal-Choke/Throttle Shaft
468	★690690	Seal-O Ring (Oil Pump Screen)	544	690855	Armature-Starter	635	692076	Boot-Spark Plug
474D	696458	Alternator (10-16 Amp Regulated)	544A	693548	Armature-Starter	638	691551	Washer (Cylinder Head Cover) (Used Before Code Date 03110100).
479	692537	Screw (Oil Pump Screen) (M6 x 16 mm long)	544B		Armature-Starter (Serviced By 499521 Starter Motor Only)	643	692079	Retainer-Air Filter
		----- Note ----- 807084 Screw (Oil Pump Screen) (M6 x 14)	552	690701	Bushing-Governor Crank (Output End)	650	841233	Screw (Oil Deflector)
493A	691177	Bracket-Mounting (Solenoid)	552A	806686	Bushing-Governor Crank (Flanged)	664	691087	Nut (Key Switch)
500	691086	Washer (Key Switch)	555	692067	Screw (Starter Solenoid)	668A	691500	Spacer
			560	808693	Switch-LP/NG Fuel			

★ Included in Engine Gasket Set-Ref. No. 358.

△ Included in Valve Gasket Set-Ref. No. 1095A.

*Illustrations cover a range of engines. Parts shown without corresponding text may not be used on your specific engine.*  
6066-19 Assemblies include all parts shown in frames. 07/18/2005

# 354400

REF. NO.	PART NO.	DESCRIPTION	REF. NO.	PART NO.	DESCRIPTION	REF. NO.	PART NO.	DESCRIPTION
683	691029	Nut (Starter Solenoid)	797A	693167	Nut (Brush Retainer)	877C	399916	Wire/Connector- Alternator
689	691272	Spring-Friction	801	808778	Cap-Drive			(2 Wires, 7-53/64" Long)(2 Bare Wire Ends, And Insulated Snap Connect Male Pin Terminal)
691	★690680	Seal-Governor Shaft	801B	691283	Cap-Drive	879	690757	Cover-Carburetor
695	693109	Screw (Ring Gear)	802	496813	Cap-End	883	★Δ691613	Gasket-Exhaust
697	692062	Screw (Drive Cap)	802A	691286	Cap-End	884A	690898	Clamp-Muffler
710	807689	Cover-Oil Filter Used on Type No(s). 0119.	803	690854	Housing-Starter	892	692318	Switch-Key
711	841233	Screw (Carburetor Shield)	803A	693547	Housing-Starter	896	691641	Pin-Drive Retainer
718	806469	Pin-Locating	803B		Housing-Starter (Serviced By 499521 Starter Motor Only)	899	691077	Washer (Starter Solenoid)
725B	691498	Shield-Heat	803C	494205	Housing-Starter (4 3/8" Housing Length)	914	806421	Screw (Rocker Cover)
726		Gear-Ring (Steel)(See Reference 23 for Service)			----- <b>Note</b> ----- 398892 Housing- Starter (4 9/16" Housing Length)	920	691656	Solenoid-Starter
726A	807805	Gear-Ring (Aluminum)	812	Δ692055	Nut (Rocker Cover) (Used Before Code Date 01120300).	934	691058	Screw (Fan Retainer)
727	841313	Cover-Starter Drive (Black) ----- <b>Note</b> ----- 805503 Cover-Starter Drive (Red)	813	690635	Clamp	949	690475	Guard-Debris Screen
728	691514	Screw (Heat Shield)	816	690706	Washer (Oil Filter Adapter)	967	272490	Filter-Pre Cleaner
728A	692067	Screw (Heat Shield)	819	692067	Screw (Muffler Bracket)	968	699959	Cover-Air Cleaner
729	690586	Clip-Wire	830	809157	Stud-Rocker Arm	971A	692537	Screw (Air Cleaner Base to Carburetor)
732	690688	Screw (Starter Drive Cover)	833	841233	Screw (Air Cleaner Mounting Strap/Stud)	988	★692063	Gasket-Oil Adapter
732A	841233	Screw (Starter Drive Cover)	833A	690872	Screw (Air Cleaner Mounting Strap/Stud)	988A	690687	Gasket-Oil Adapter
737	690679	Screw (Oil Filter Adapter)	837	808085	Spacer-Muffler	990	691959	Key Set
739	690451	Clip-Debris	849	691088	Screw (Stub Shaft)	996	691577	Shield-Carburetor
741	691530	Gear-Timing	851	493880	Terminal-Spark Plug	1004	690743	Duct-Air
750	841233	Screw (Oil Pump Cover)	862	692153	Strap/Stud-Air Cleaner Mounting	1005	809441	Fan-Flywheel
773	690875	Retainer	863	691513	Bracket-Muffler	1006	690452	Retainer-Fan
783	695708	Gear-Pinion (Services Aluminum Ring Gear Only)	865	690750	Cover-Air Guide (Valley)(Black)	1017	690900	Screen-Oil Pump
789	691996	Harness-Wiring	868	★Δ691963	Seal-Valve	1019	808158	Kit-Label
797	691029	Nut (Brush Retainer)	871	692057	Bushing-Valve Guide	1022	★Δ806039	Gasket-Rocker Cover
			876	696539	Kit-Pinion Spring	1023	690758	Cover-Rocker
						1023A	808648	Cover-Rocker (Includes Breather Assembly)
						1024	693185	Pump-Oil
						1025	690689	Spool-Governor
						1026	691836	Rod-Push (Intake)(Steel) ----- <b>Note</b> ----- 691758 Rod-Push (Exhaust)(Aluminum)

★ Included in Engine Gasket Set-Ref. No. 358.

Δ Included in Valve Gasket Set-Ref. No. 1095A.

**Illustrations cover a range of engines. Parts shown without corresponding text may not be used on your specific engine.**  
6066-20 Assemblies include all parts shown in frames. 07/18/2005

**354400**

REF. NO.	PART NO.	DESCRIPTION	REF. NO.	PART NO.	DESCRIPTION	REF. NO.	PART NO.	DESCRIPTION
1027	492932	Filter–Oil	1029	807323	Arm–Rocker	1047	841580	Shaft–Stub
1028	808033	Adapter–Oil Filter Used on Type No(s). 0042, 0044, 0120, 0424.	1036	806884	Label–Emissions (Used After Code Date 00063000).	1051	691124	Ring–Retaining
		----- <b>Note</b> -----			----- <b>Note</b> -----	1051A	691265	Ring–Retaining
		<b>808235</b> Adapter–Oil Filter Used on Type No(s). 0030, 0110, 0300, 0330, 0421.			<b>806701</b> Label– Emissions (Used After Code Date 99093000 and Before Code Date 00070100).	1054	280275	Tie–Cable
1028B	808537	Adapter–Oil Filter Used on Type No(s). 0119, 0122.			<b>806638</b> Label– Emissions (Used After Code Date 98123100 and Before Code Date 99100100).	1058	276343	Operator’s Manual
					<b>806462</b> Label– Emissions (Used Before Code Date 99010100).	1068	841999	Hose/Clamp Assembly
						1083	691626	Nut (End Cap)
						1083A	690958	Nut (End Cap)
						1090	691293	Retainer–Brush
						1095A	808391	Gasket Set–Valve
						1100	690973	Pivot–Rocker Arm
						1119	691552	Screw (Alternator)
						1254	807084	Screw (Rocker Cover Stud) (Used After Code Date 01120200).
						1330	272144	Repair Manual

★ Included in Engine Gasket Set–Ref. No. 358.

△ Included in Valve Gasket Set–Ref. No. 1095A.

*Illustrations cover a range of engines. Parts shown without corresponding text may not be used on your specific engine.*  
6066–21 Assemblies include all parts shown in frames. 07/18/2005