



351700

Illustrated Parts List

Model Series

351700

TYPE NUMBERS
0036 through 1150.

TABLE OF CONTENTS

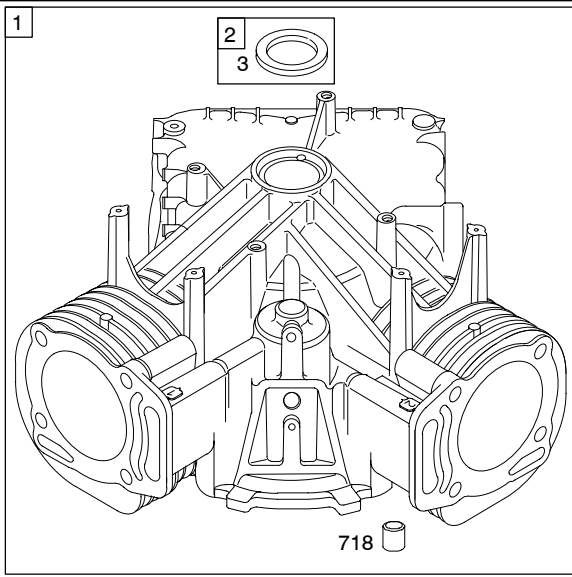
Air Cleaner	8
Alternator	7
Blower Housing	11
Camshaft	4
Carburetor	5
Controls	7
Crankshaft	4
Cylinder	2
Cylinder Head	2
Electric Starter	13
Engine Sump	2
Exhaust System	9
Flywheel	10
Gasket Set - Engine	3
Gasket Set - Valve	3
Governor Spring	7
Ignition	7
Intake Manifold	9
Kit - Carburetor Overhaul	3
Lubrication	14
Piston, Rings, Connecting Rod	2
Rewind	11
Shrouds	12
Valves	6

PRINTED IN U.S.A.

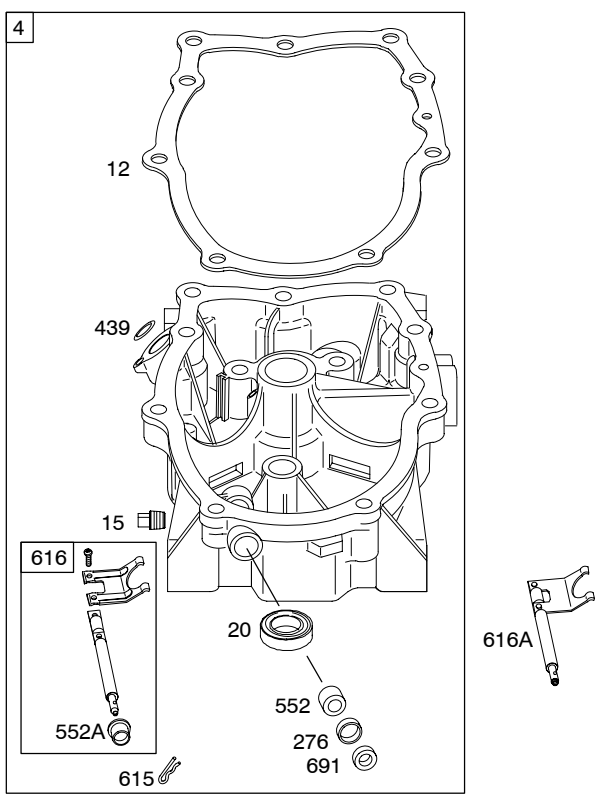
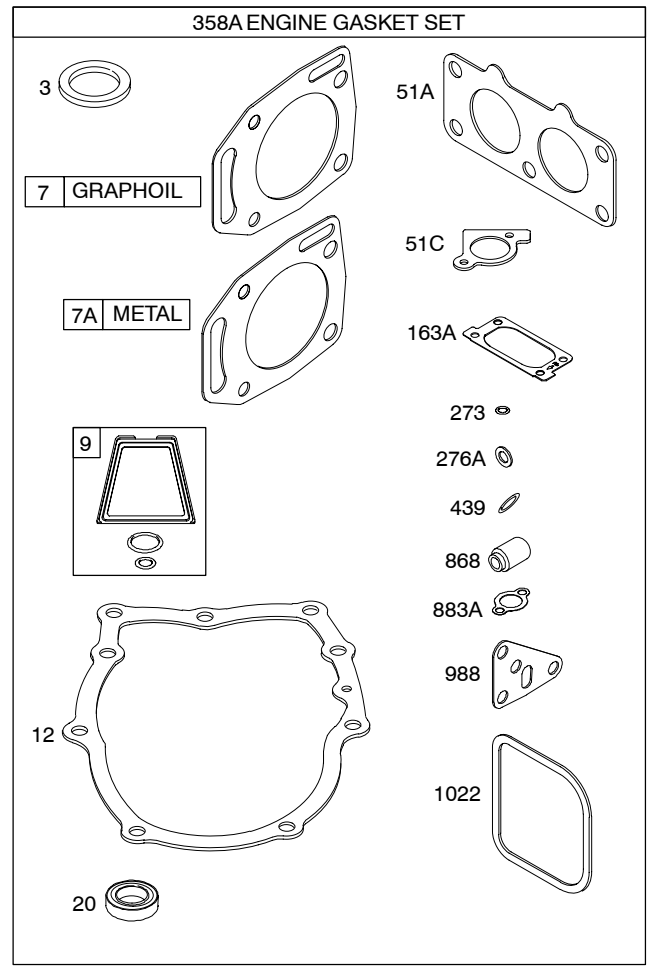
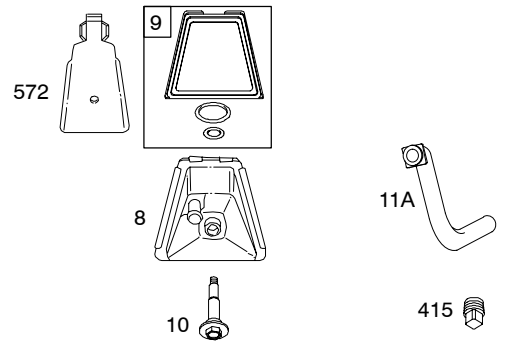
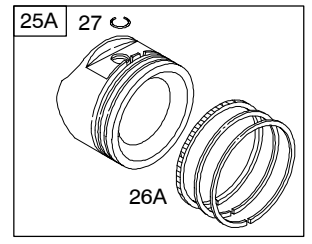
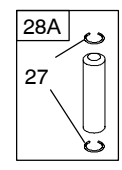
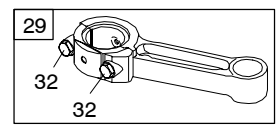


COPYRIGHT by BRIGGS & STRATTON CORPORATION
All rights reserved. No part of this material may be reproduced or transmitted, in any form or by any means, electronic or mechanical, including photocopying, recording or by any information storage and retrieval system, without permission in writing from Briggs & Stratton Corporation.

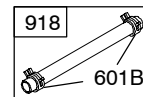
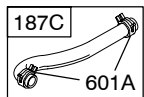
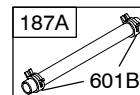
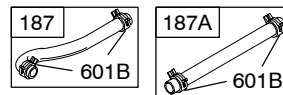
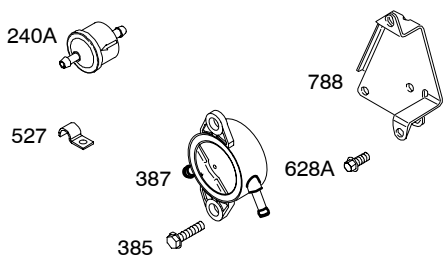
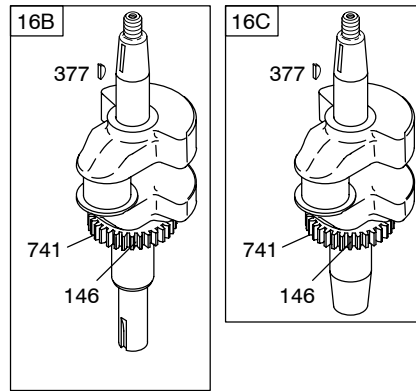
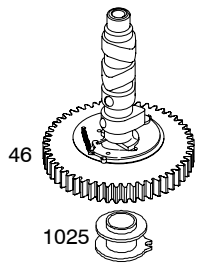
351700



1019 LABEL KIT
 1330 REPAIR MANUAL
 1058 OPERATOR'S MANUAL

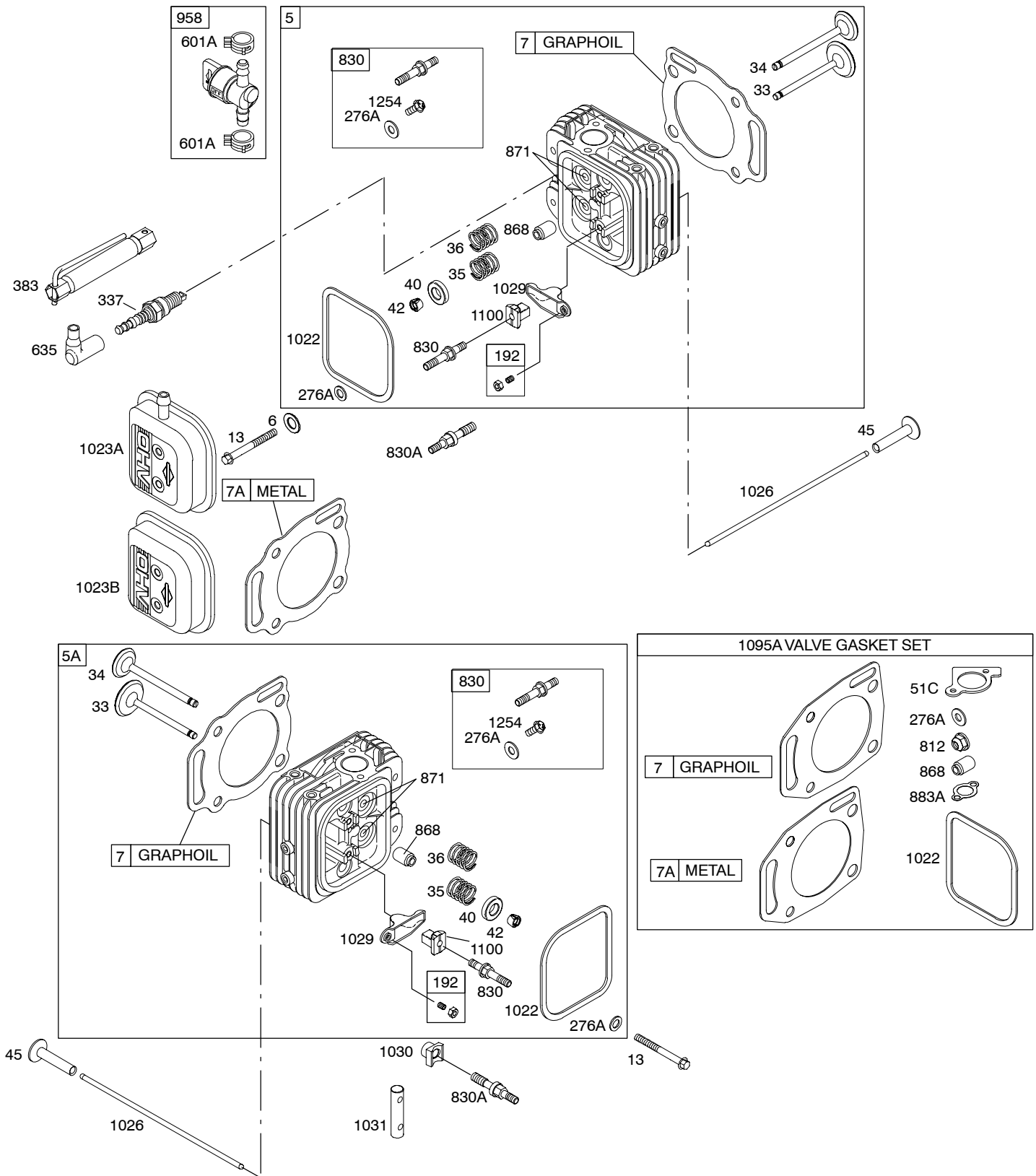


Illustrations cover a range of engines. Parts shown without corresponding text may not be used on your specific engine.
 0284-2 Assemblies include all parts shown in frames. 12/02/2005

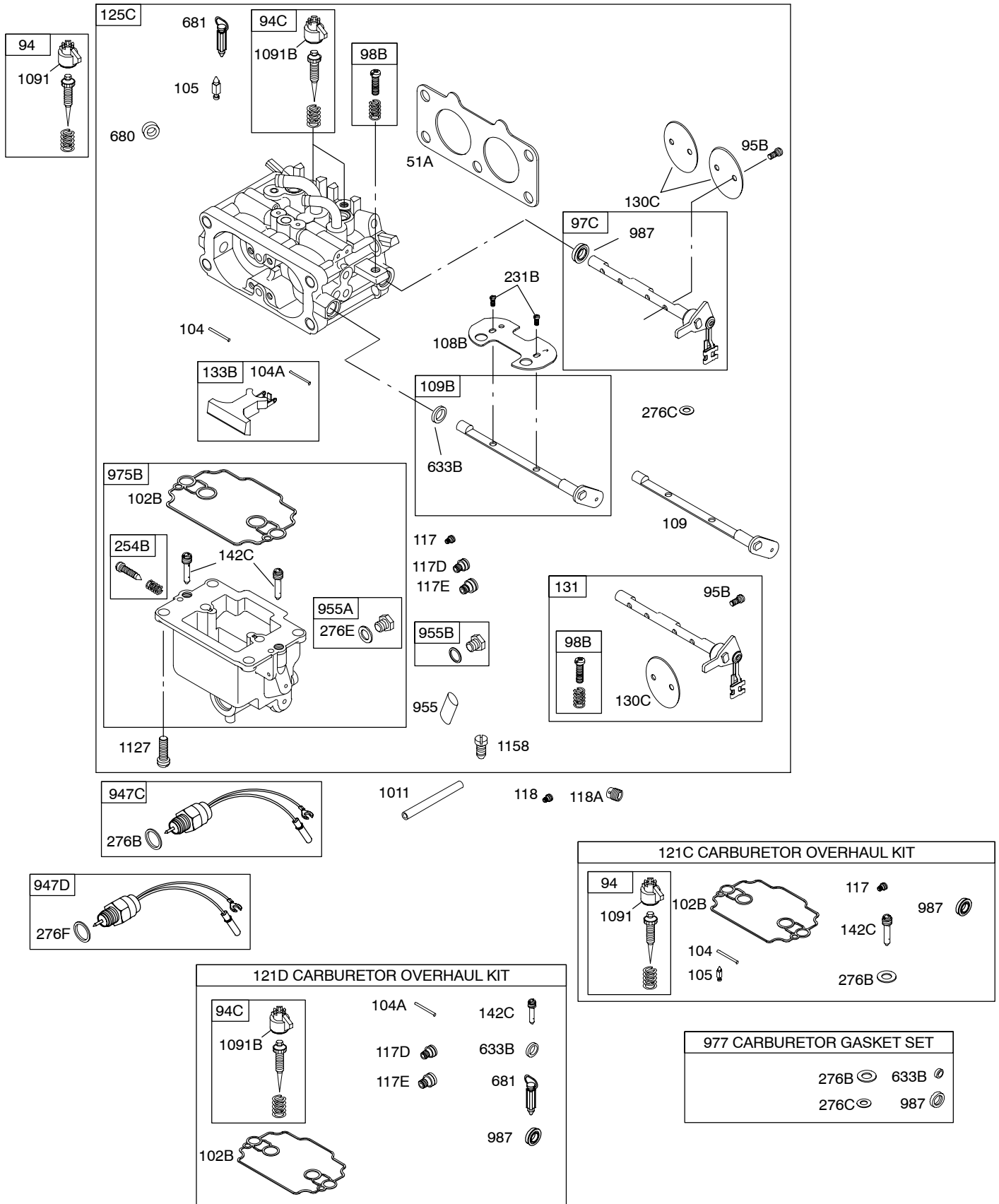


Illustrations cover a range of engines. Parts shown without corresponding text may not be used on your specific engine.

351700

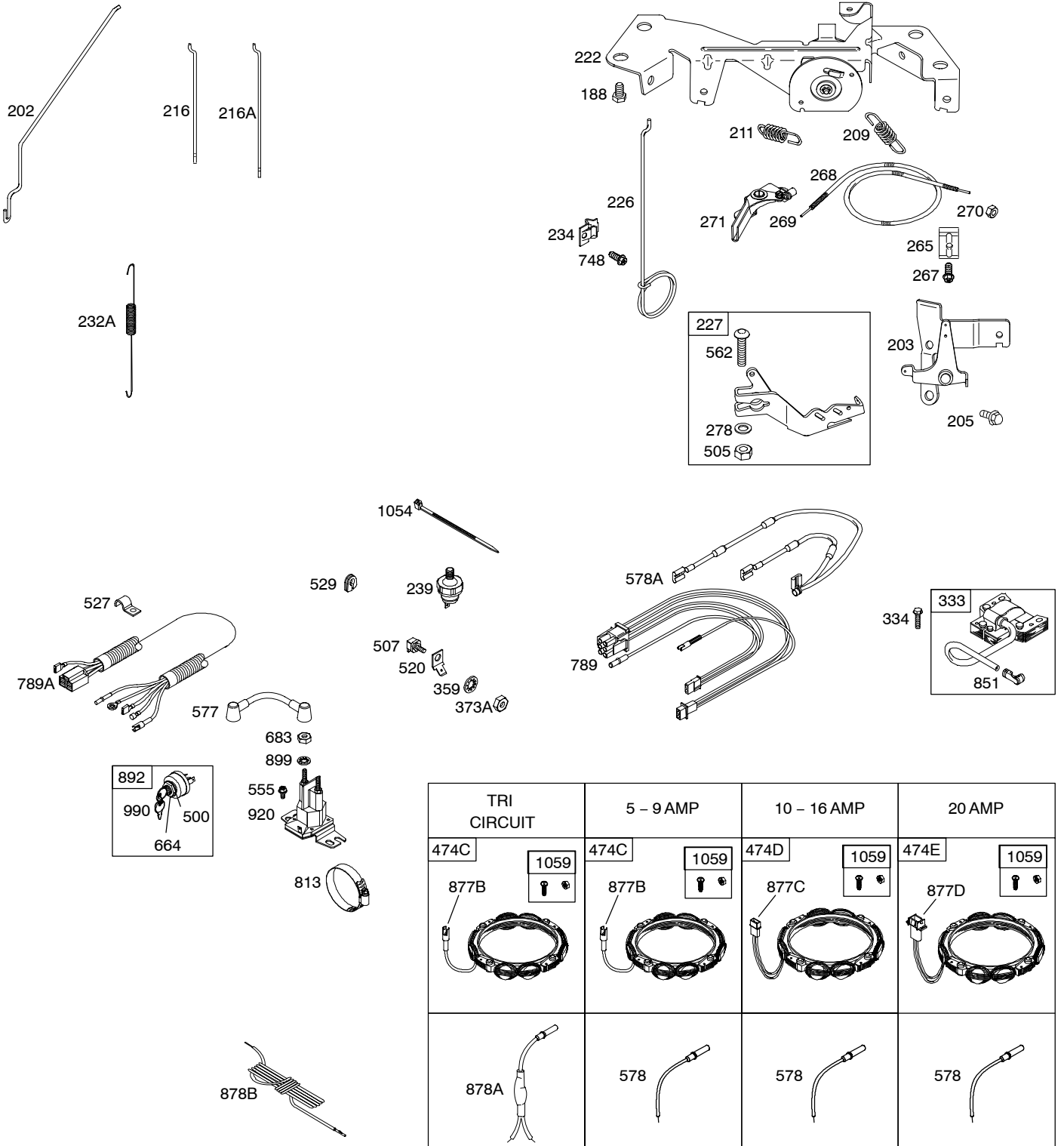


Illustrations cover a range of engines. Parts shown without corresponding text may not be used on your specific engine.
 0284-4 Assemblies include all parts shown in frames. 12/02/2005



Illustrations cover a range of engines. Parts shown without corresponding text may not be used on your specific engine.

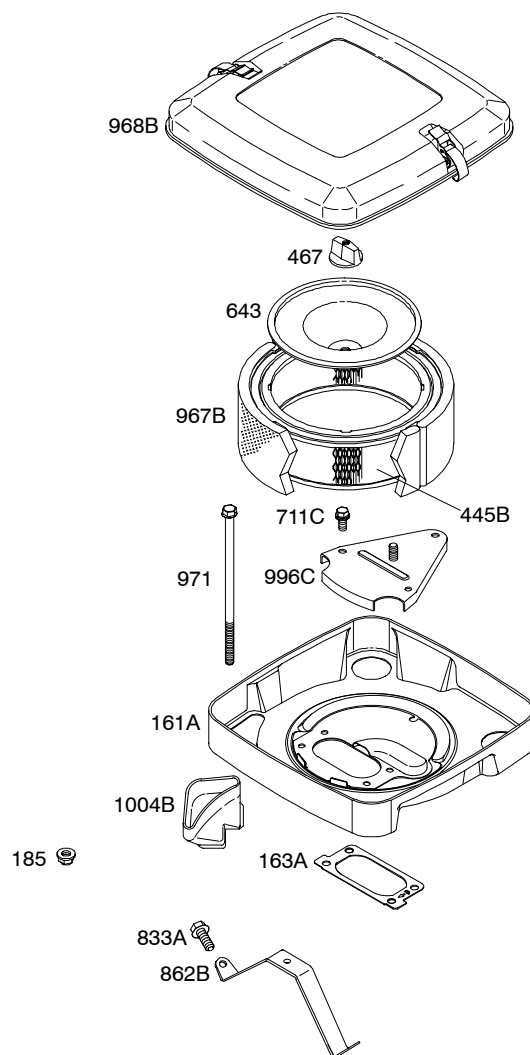
351700



TRI CIRCUIT	5 - 9 AMP	10 - 16 AMP	20 AMP
474C	474C	474D	474E
877B	877B	877C	877D
878A	578	578	578

NOTE: All stators use a No. 1119 mounting screw.

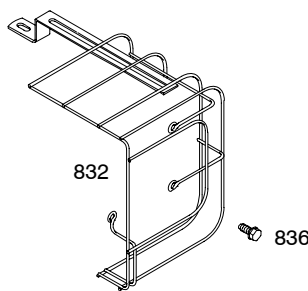
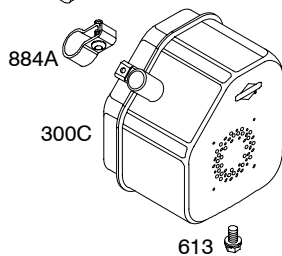
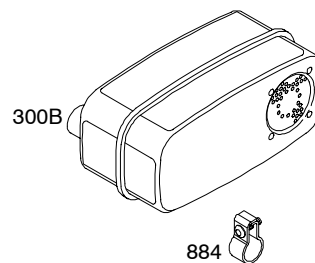
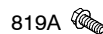
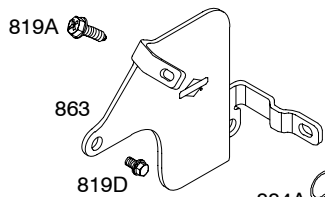
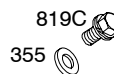
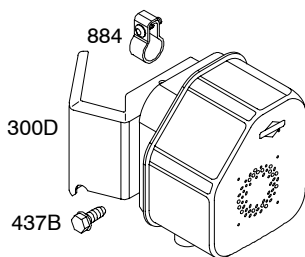
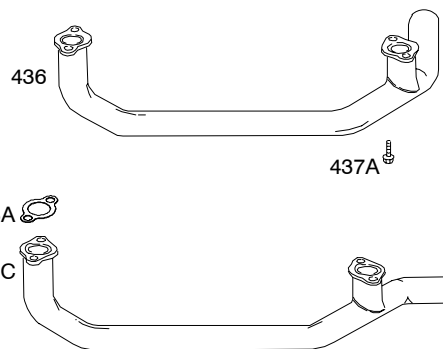
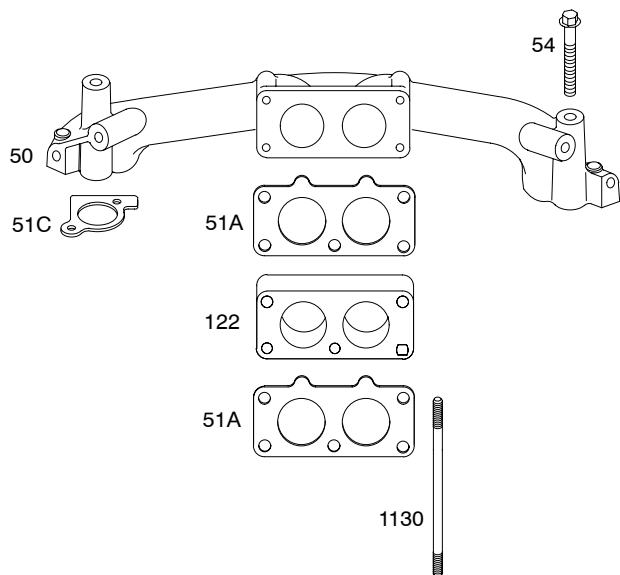
526A	526	526B
501A	501	501B



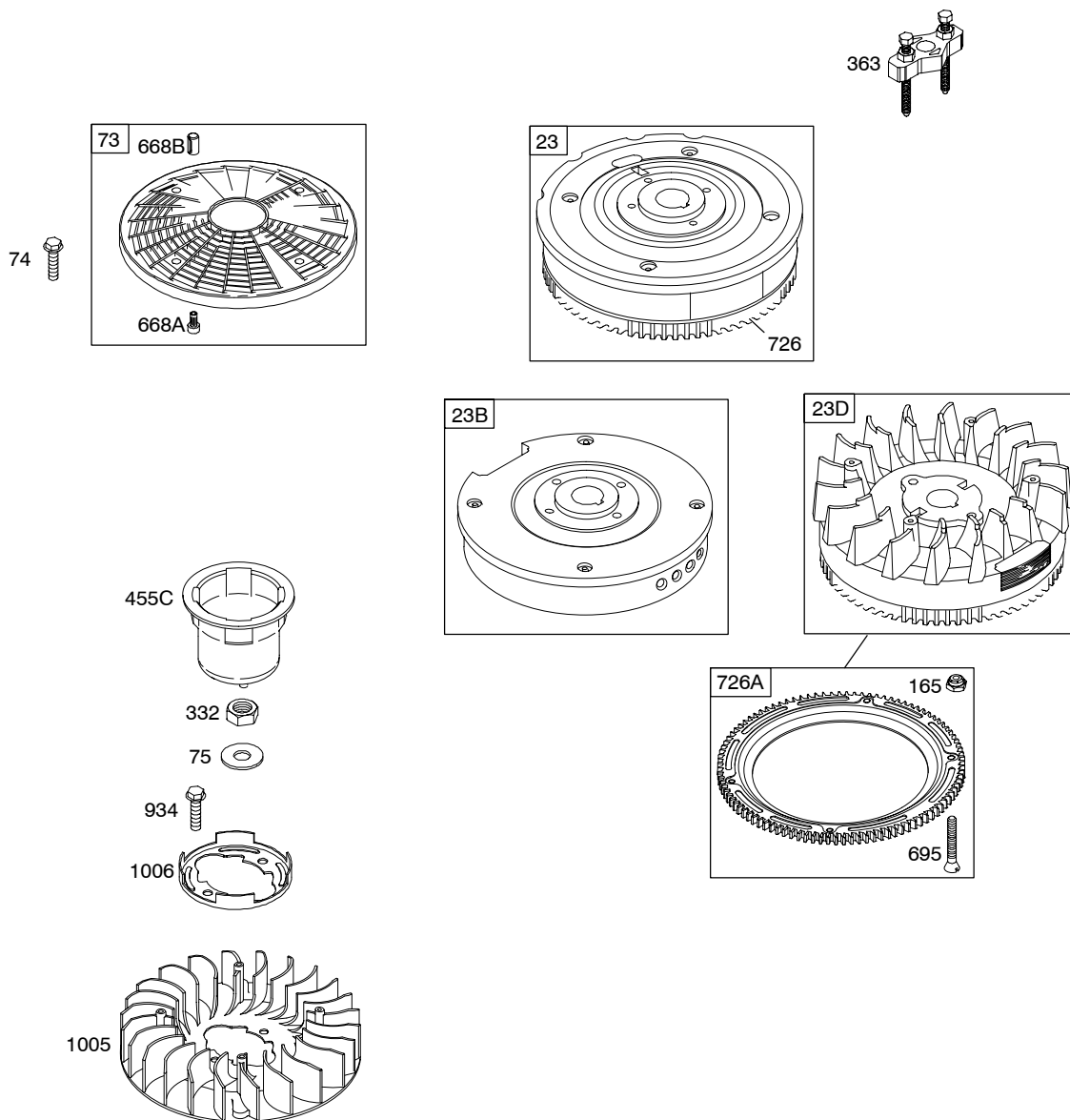
Illustrations cover a range of engines. Parts shown without corresponding text may not be used on your specific engine.
0284-7 Assemblies include all parts shown in frames.

12/02/2005

351700

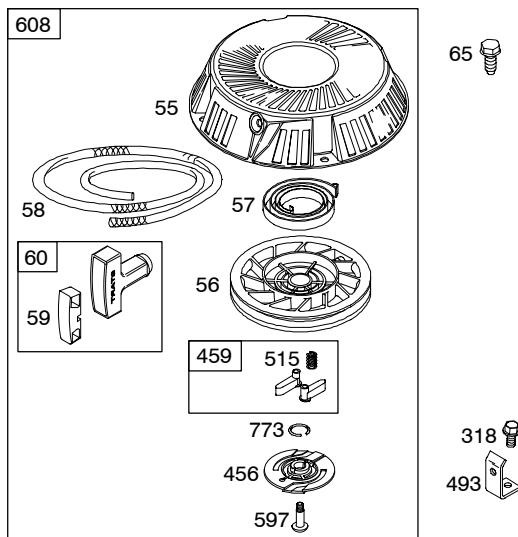
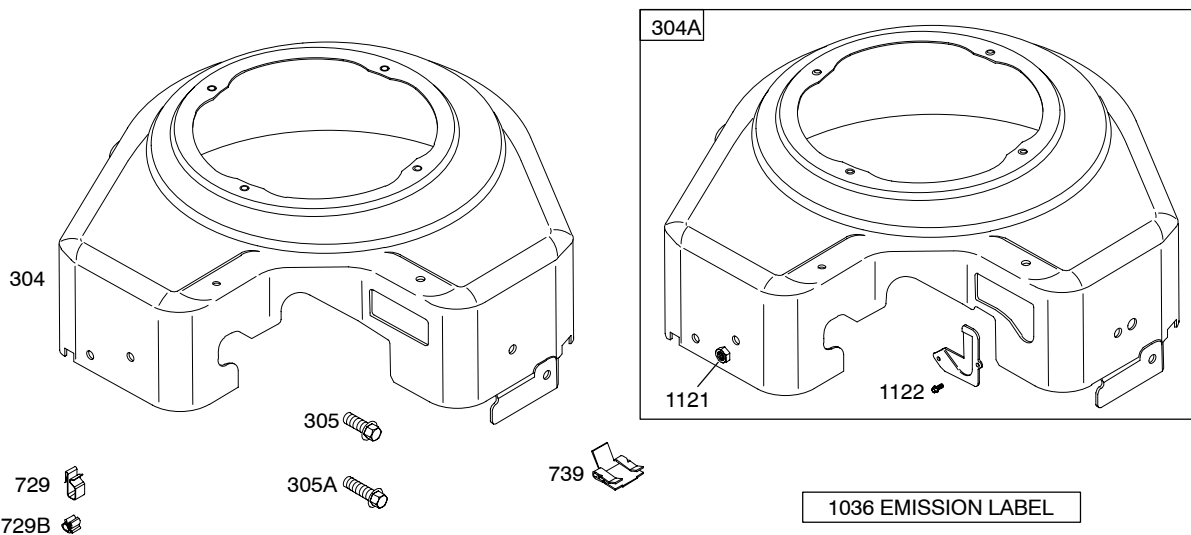


0284-8 *Illustrations cover a range of engines. Parts shown without corresponding text may not be used on your specific engine.* Assemblies include all parts shown in frames. 12/02/2005

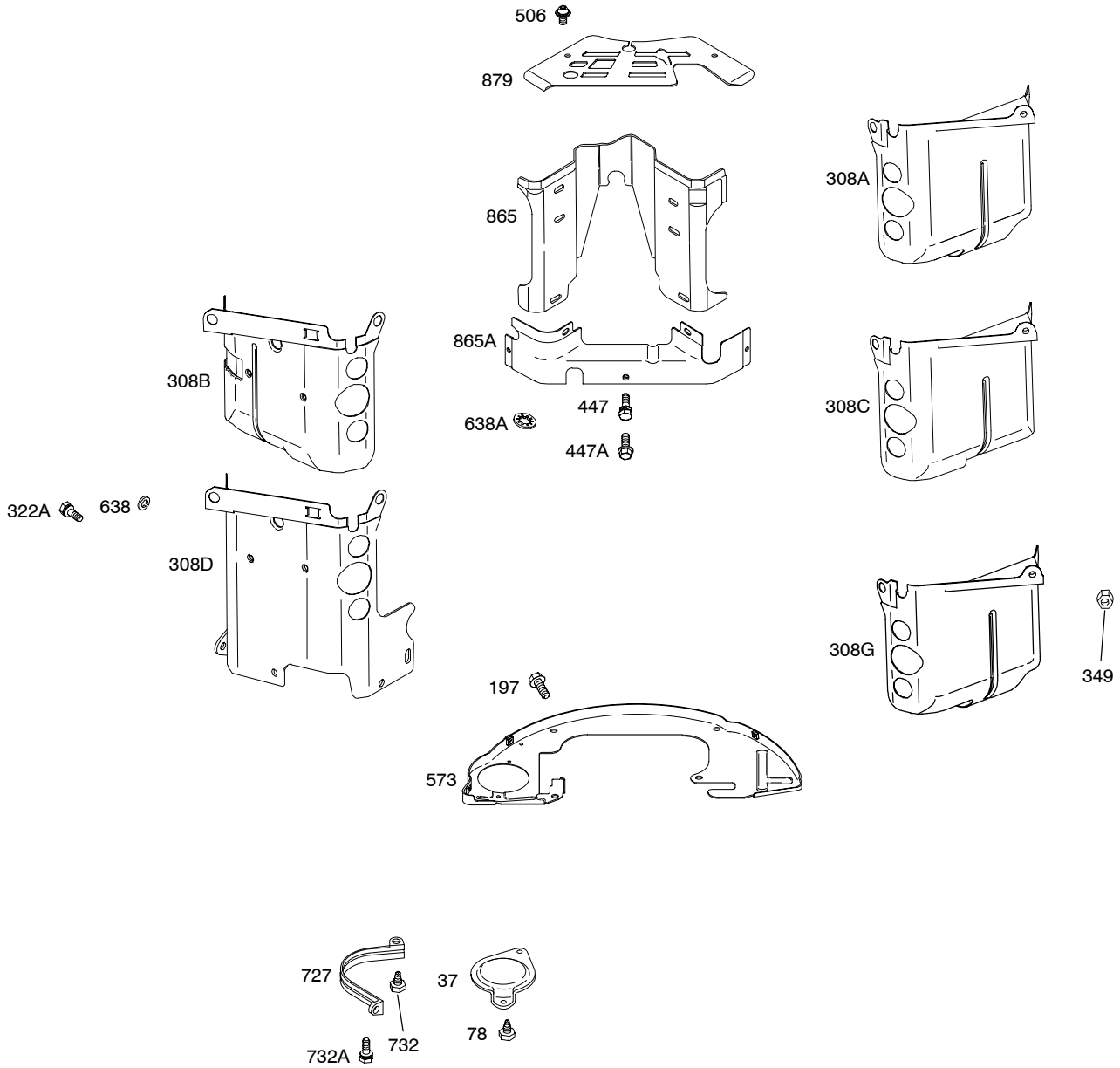


Illustrations cover a range of engines. Parts shown without corresponding text may not be used on your specific engine.

351700



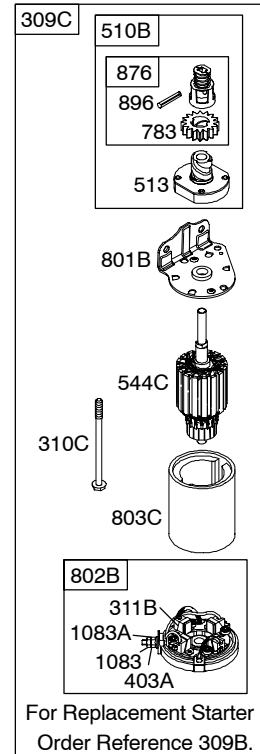
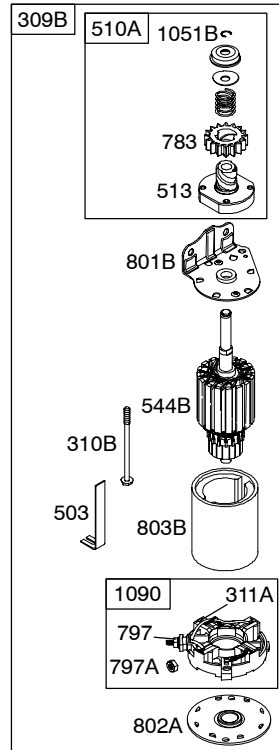
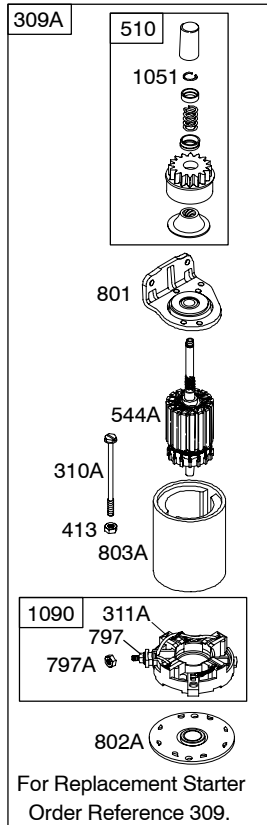
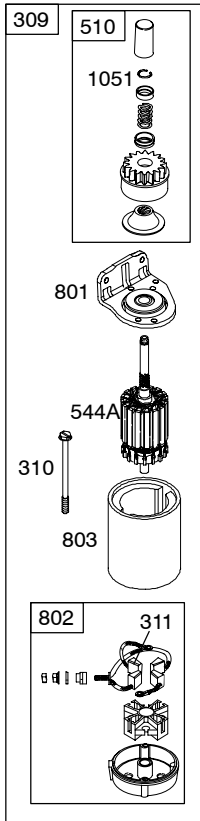
Illustrations cover a range of engines. Parts shown without corresponding text may not be used on your specific engine.



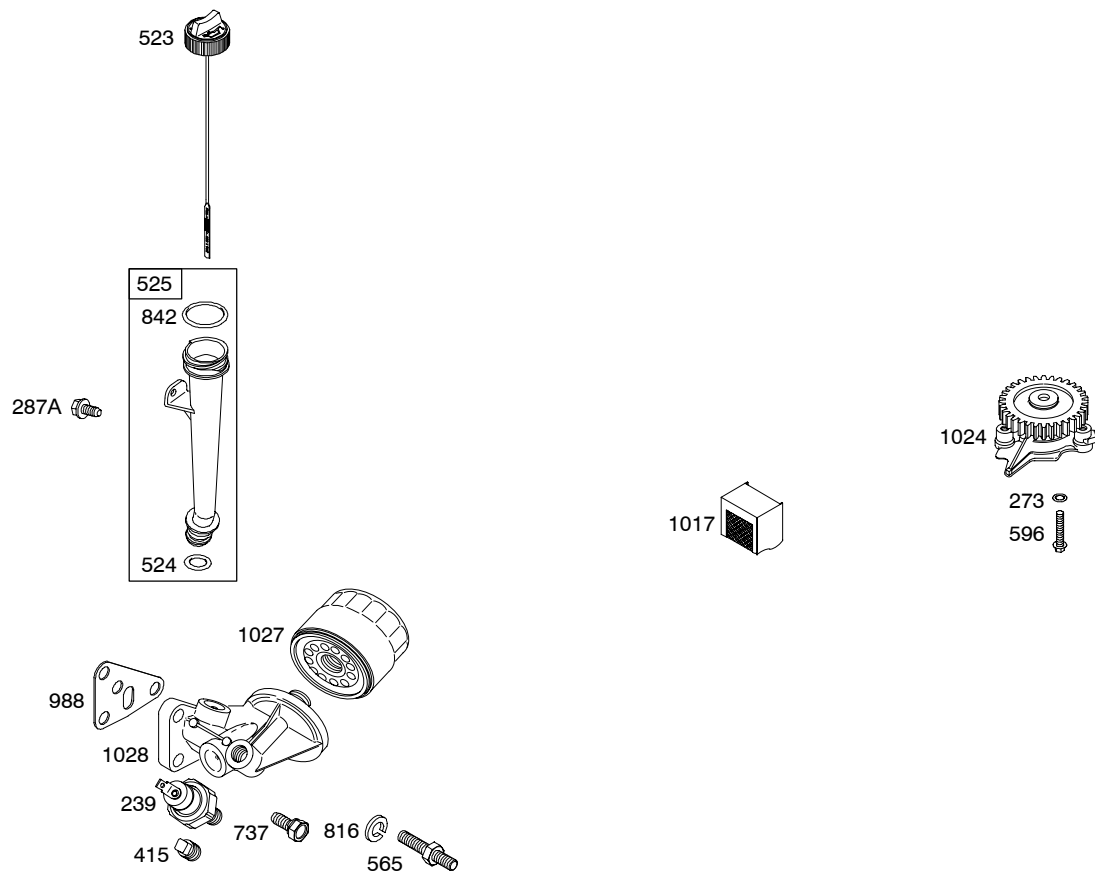
Illustrations cover a range of engines. Parts shown without corresponding text may not be used on your specific engine.
0284-11 Assemblies include all parts shown in frames. 12/02/2005

351700

697 



Illustrations cover a range of engines. Parts shown without corresponding text may not be used on your specific engine.



351700

REF. NO.	PART NO.	DESCRIPTION	REF. NO.	PART NO.	DESCRIPTION	REF. NO.	PART NO.	DESCRIPTION
1	692545	Cylinder Assembly (Used After Code Date 97043000). ----- Note ----- 808093 Cylinder Assembly (Used Before Code Date 97050100).	13	692059	Screw (Cylinder Head) (86mm Long) (Used After Code Date 97043000). ----- Note ----- 805890 Screw (Cylinder Head) (108mm Long) (Used Before Code Date 97050100).	23	808768	Flywheel (Steel Ring Gear) ----- Note ----- 808772 Flywheel (Steel Ring Gear) Used on Type No(s). 1143.
2	808534	Kit-Bushing/Seal (Magneto Side) (Used After Code Date 97043000). ----- Note ----- 807687 Kit-Bushing/Seal (Magneto Side) (Used Before Code Date 97050100).	15	690946	Plug-Oil Drain (Square Head)	23B	690922	Flywheel (Rewind Start) Used on Type No(s). 1045, 1102.
3	★805101s	Seal-Oil (Magneto Side)	16B	809807	Crankshaft (Used After Code Date 97043000). ----- Note ----- 807779 Crankshaft (Used Before Code Date 97050100).	23D	690921	Flywheel (Aluminum Ring Gear)
4	808846	Sump-Engine				25A	808326	Piston Assembly (Standard) ----- Note ----- 808337 Piston Assembly (.020" Oversize)
5	809185	Head-Cylinder (Cylinder 1)				26A	807889	Ring Set (Standard) ----- Note ----- 807995 Ring Set (.020" Oversize)
5A	809186	Head-Cylinder (Cylinder 2)	16C	809829	Crankshaft (Used After Code Date 03043000). Used on Type No(s). 1134, 1137.	27	690683	Lock-Piston Pin
6	Δ805193	Washer (Cylinder Head) (Used Before Code Date 94050100).				28A	807886	Pin-Piston
7	★Δ690888	Gasket-Cylinder Head (Graphoil) (Used After Code Date 96033100).				29	807900s	Rod-Connecting (Standard) ----- Note ----- 807803 Rod-Connecting (.020" Undersize)
7A	★Δ805653s	Gasket-Cylinder Head (Metal) (Used Before Code Date 96040100).	20	★805049s	Seal-Oil (PTO Side)	32	690698	Screw (Connecting Rod)
8	807893	Breather Assembly	22	807362	Screw (Crankcase Cover/Sump)			
9	★809094	Gasket-Breather						
10	690751	Screw (Breather Assembly)						
11A	690873	Tube-Breather						
12	★691684	Gasket-Crankcase						

★ Included in Engine Gasket Set-Ref. No. 358A.
● Included in Carburetor Overhaul Kit-Ref. No. 121C or 121D.

◆ Included in Carburetor Gasket Set-Ref. No. 977.
Δ Included in Valve Gasket Set-Ref. No. 1095A.

Illustrations cover a range of engines. Parts shown without corresponding text may not be used on your specific engine.

351700

REF. NO.	PART NO.	DESCRIPTION	REF. NO.	PART NO.	DESCRIPTION	REF. NO.	PART NO.	DESCRIPTION
33	807681	Valve-Exhaust	95B	690718	Screw (Throttle Valve) (Nikki)	118	806859	Jet-Main (High Altitude) (Right)(Nikki)
34	807680	Valve-Intake						
35	692084	Spring-Valve (Intake)			----- Note -----			----- Note -----
36	692084	Spring-Valve (Exhaust)			690728 Screw (Throttle Valve) (Teikei)			842432 Jet-Main (High Altitude) (5000 Ft.)
37	690715	Guard-Flywheel (Black)	97C	808719	Shaft-Throttle			842433 Jet-Main (High Altitude) (6500 Ft.)
40	692058	Retainer-Valve	98B	808177	Kit-Idle Speed (Nikki)			
42	807683	Keeper-Valve			----- Note -----			842434 Jet-Main (High Altitude) (9000 Ft.)
45	690977	Tappet-Valve			809716 Kit-Idle Speed (Teikei)			
46	691557	Camshaft						
50	690886	Manifold-Intake	102B	●693711	Gasket-Carburetor Body (Nikki)	118A	●808406	Jet-Main (High Altitude) (Left)(Nikki)
51A	★690950	Gasket-Intake (Manifold/Carburetor Spacer)			----- Note -----	121C	842436	Kit-Carburetor Overhaul (Teikei)
51C	★△692035	Gasket-Intake (Manifold/Heads)			809645 Gasket- Carburetor Body (Teikei)	121D	808265	Kit-Carburetor Overhaul (Nikki)
54	690676	Screw (Intake Manifold)	104	690739	Pin-Float Hinge (Teikei)	122	690870	Spacer-Carburetor
55	691568	Housing-Rewind Starter	104A	●690882	Pin-Float Hinge (Nikki)	125C	842073	Carburetor (Teikei)
56	692085	Pulley-Starter	105	809759	Valve-Float Needle (Teikei)	130C	690884	Valve-Throttle ----- Note -----
57	692086	Spring-Rewind Starter	108B	690883	Valve-Choke (Nikki)			809642 Valve-Throttle (Teikei)
58	66574	Rope-Starter (Cut To Required Length)			----- Note -----	131	809718	Kit-Throttle Shaft (Teikei)
59	805957	Insert-Grip			809643 Valve-Choke (Teikei)	133B	808180	Float-Carburetor (Nikki)
60	808167	Grip-Starter Rope	109	809710	Shaft-Choke (Teikei)			----- Note -----
65	691982	Screw (Rewind Starter)	109B	808181	Shaft-Choke			809637 Float- Carburetor (Teikei)
73	494439	Screen-Rotating	117	●842070	Jet-Main (Standard)(Teikei)			
74	691647	Screw (Rotating Screen)	117D	●690881	Jet-Main (Standard)(Right) (Nikki)			
75	691490	Washer (Flywheel) (Used Before Code Date 95051500).	117E	●690880	Jet-Main (Standard)(Left)(Nikki)			
78	690688	Screw (Flywheel Guard)						
94	809712	Kit-Idle Mixture (Teikei)						
94C	●808257	Kit-Idle Mixture (Nikki)						
		----- Note ----- 494923 Kit- Idle Mixture Used on Type No(s). 0045, 1045.						

★ Included in Engine Gasket Set-Ref. No. 358A.

● Included in Carburetor Overhaul Kit-Ref. No. 121C or 121D.

◆ Included in Carburetor Gasket Set-Ref. No. 977.

△ Included in Valve Gasket Set-Ref. No. 1095A.

Illustrations cover a range of engines. Parts shown without corresponding text may not be used on your specific engine.

351700

REF. NO.	PART NO.	DESCRIPTION	REF. NO.	PART NO.	DESCRIPTION	REF. NO.	PART NO.	DESCRIPTION
142C	●690879	Nozzle-Carburetor (Standard)(Nikki) ----- Note ----- 842069 Nozzle-Carburetor (Standard)(Teikei)	188	692056	Screw (Control Bracket)			691508 Spring-Governor (Blue)
146	691639	Key-Timing	192	807623	Adjuster-Rocker Arm			Used on Type No(s). 1114.
161A	690916	Base-Air Cleaner (Metal)	197	807163	Screw (Back Plate)			(Used Before Code Date 97030600).
163A	★692087	Gasket-Air Cleaner (Used With Metal Air Cleaner Base)	202	690867	Link-Mechanical Governor	211	692069	Spring-Governed Idle
165	693148	Nut (Ring Gear)	203	690923	Crank-Bell	216	690705	Link-Choke
185	690939	Nut (Air Cleaner Base)	205	692083	Screw (Bell Crank)	216A	690871	Link-Choke
187	791766	Line-Fuel (Molded) (Used After Code Date 05063000). ----- Note ----- 691050 Line-Fuel (Molded) (Used Before Code Date 05070100).	209	692070	Spring-Governor (Red) ----- Note ----- 692071 Spring-Governor (White) Used on Type No(s). 0036, 1036, 1123, 1139, 1141, 1142. 691508 Spring-Governor (Blue) Used on Type No(s). 1126, 1132, 1144, 1145. 690710 Spring-Governor (Silver) Used on Type No(s). 1135, 1138, 1140. 691507 Spring-Governor (Brown) Used on Type No(s). 1134. 692072 Spring-Governor (Purple) Used on Type No(s). 1128. 692071 Spring-Governor (White) Used on Type No(s). 1114.	222	808454	Bracket-Control
187A	791745	Line-Fuel (Cut To Required Length) (Used After Code Date 05063000). ----- Note ----- 296004 Line-Fuel (Cut To Required Length) (Used Before Code Date 05070100).				226	692075	Rod-Hand Choke
187C	791801	Line-Fuel (Molded) (Used After Code Date 05063000). ----- Note ----- 691049 Line-Fuel (Molded) (Used Before Code Date 05070100).				227	690236	Lever-Governor Control
						231B	690718	Screw (Choke Valve)(Nikki) ----- Note ----- 690728 Screw (Choke Valve)(Teikei)
						232A	690874	Spring-Governor Link
						234	691723	Clip-Control Rod
						239	690233	Switch-Oil Pressure (Oil GARD Only)
						240A	691035	Filter-Fuel (Includes Paper Element With A 40 Micron Rating)
						254B	808178	Drain-Carburetor Bowl
						265	691024	Clamp-Casing
						267	692083	Screw (Casing Clamp) ----- Note ----- 695134 Screw (Casing Clamp) Used on Type No(s). 1139.
						268	691025	Casing-Control Wire (Cut To Required Length)
						269	691026	Wire-Control (Cut To Required Length)
						270	691027	Nut (Control Wire Casing)
						271	691028	Lever-Control
						273	★690681	Seal-O Ring (Oil Pump)

★ Included in Engine Gasket Set-Ref. No. 358A.

● Included in Carburetor Overhaul Kit-Ref. No. 121C or 121D.

◆ Included in Carburetor Gasket Set-Ref. No. 977.

△ Included in Valve Gasket Set-Ref. No. 1095A.

Illustrations cover a range of engines. Parts shown without corresponding text may not be used on your specific engine.

351700

REF. NO.	PART NO.	DESCRIPTION	REF. NO.	PART NO.	DESCRIPTION	REF. NO.	PART NO.	DESCRIPTION
276	690704	Washer-Sealing (Crankcase Cover/Sump)	308C	692805	Cover-Cylinder Head (Cylinder 2) (Used Before Code Date 98113000).	318	841233	Screw (Mounting Bracket)
276A	★△807085	Washer-Sealing (Rocker Cover) (Used After Code Date 01120200). ----- Note ----- 691766 Washer-Sealing (Rocker Cover) (Used Before Code Date 01120300).	308D	841317	Cover-Cylinder Head (Cylinder 1) Used on Type No(s). 1126.	322A	841233	Screw (Cylinder Head Cover)
276B	◆806476	Washer-Sealing (Float Bowl)	308G	806544	Cover-Cylinder Head (Cylinder 2) Used on Type No(s). 1126. ----- Note ----- 841182 Cover-Cylinder Head (Cylinder #2) Used on Type No(s). 1150.	332	690887	Nut (Flywheel)
276C	◆806477	Washer-Sealing (Carburetor Plug)	309	691564	Motor-Starter (Steel Ring Gear Only)	333	492341	Armature-Magneto
276E	690724	Washer-Sealing (Carburetor Plug)	309A		Motor-Starter (For Replacement Starter Motor, Order Reference 309)	334	692066	Screw (Magneto Armature)
276F	693497	Washer-Sealing	309B	499521	Motor-Starter (Services Aluminum Ring Gear Only)	337	491055s	Plug-Spark ----- Note ----- 792015 Plug-Spark Used on Type No(s). 1036, 1045, 1121, 1126, 1129, 1132, 1138, 1140, 1141, 1142, 1143, 1144, 1145, 1146, 1148.
278	842122	Washer (Governor Control Lever)	309C		Motor-Starter (Services Aluminum Ring Gear Only)(For Replacement Starter Motor, See Ref 309B)	349	690238	Nut (Cylinder Head Cover)
287A	807084	Screw (Dipstick Tube)	310	496880	Screw (Starter Motor)	355	842122	Washer (Muffler Bracket)
300B	498984s	Muffler Used on Type No(s). 1141, 1142.	310A	690323	Screw (Starter Motor)	357	691483	Key-Drive Pulley
300C	692099	Muffler	310B	691263	Screw (Starter Motor)	358A	841188	Gasket Set-Engine (Used After Code Date 01120200). ----- Note ----- 808389 Gasket Set-Engine (Used Before Code Date 01120300).
300D	807953	Muffler	310C	692329	Screw (Starter Motor)	359	691077	Washer (Ground Terminal)
304	690915	Housing-Blower (Red)	311	496887	Brush Set	363	19203	Puller-Flywheel
304A	690914	Housing-Blower (Black)	311A	497608	Brush Set	373A	691612	Nut (Ground Terminal)
305	692056	Screw (Blower Housing) (14mm)	311B	490311	Brush Set (4 9/16" Housing Length)	377	808095	Key-Woodruff
305A	692062	Screw (Blower Housing) (18mm Long)				383	19374s	Wrench-Spark Plug
308A	806546	Cover-Cylinder Head (Cylinder 2) (Used After Code Date 98120100).				385	807084	Screw (Fuel Pump) (Used After Code Date 02012700). ----- Note ----- 693169 Screw (Fuel Pump) (Used Before Code Date 02012800).
308B	841183	Cover-Cylinder Head (Cylinder 1)						

★ Included in Engine Gasket Set-Ref. No. 358A.

● Included in Carburetor Overhaul Kit-Ref. No. 121C or 121D.

◆ Included in Carburetor Gasket Set-Ref. No. 977.

△ Included in Valve Gasket Set-Ref. No. 1095A.

Illustrations cover a range of engines. Parts shown without corresponding text may not be used on your specific engine.

351700

REF. NO.	PART NO.	DESCRIPTION	REF. NO.	PART NO.	DESCRIPTION	REF. NO.	PART NO.	DESCRIPTION
387	808656	Pump-Fuel	493	691503	Bracket-Mounting	552	690701	Bushing-Governor Crank
403A	690288	Washer (End Cap)	500	691086	Washer (Key Switch) Used on Type No(s). 1150.	552A	806686	Bushing-Governor Crank
413	693587	Nut (Starter Motor)	501	691185	Regulator (3 Wire)(16 Amp)	555	692067	Screw (Starter Solenoid)
415	690283	Plug (Square Head)	501A	691188	Regulator (2 Wire)(9 Amp)	562	690239	Bolt (Governor Control Lever)
436	691502	Manifold-Exhaust Used on Type No(s). 1141, 1142.	501B	691573	Regulator (20 Amp)	565	690682	Stud (Oil Filter Adapter)
436C	691501	Manifold-Exhaust	503	691532	Strap-Starter	572	690686	Baffle-Breather
437A	691902	Screw (Exhaust Manifold)	505	690238	Nut (Governor Control Lever)	573	841310	Plate-Back
437B	692062	Screw (Exhaust Manifold)	506	690677	Screw (Carburetor Cover)	577	690795	Cable-Starter Used on Type No(s). 1150.
439	★692154	Seal-O Ring (Crankcase Cover/Sump) (Used After Code Date 97043000). ----- Note ----- 805198 Seal-O Ring (Crankcase Cover/Sump) (Used Before Code Date 97050100).	507	691972	Insulator	578	692306	Wire Assembly (1 Wire, 48-1/2" Long)(Snap Connect Female Pin Socket, And Bare Wire End)
445B	394018s	Filter-Air Cleaner Cartridge (Round)	510	496881	Drive-Starter	578A	692319	Wire Assembly (With Diodes)
447	841233	Screw (Air Guide Cover)	510A	696541	Drive-Starter	596	691492	Screw (Oil Pump)
447A	692067	Screw (Air Guide Cover)	510B	696540	Drive-Starter	597	690876	Screw (Pawl Friction Plate)
455C	690864	Cup-Flywheel	513	692024	Clutch-Drive	601A	691038	Clamp-Hose (Black)
456	691529	Plate-Pawl Friction	515	691528	Spring-Pawl	601B	691638	Clamp-Hose Used on Type No(s). 1126, 1140, 1144, 1145.
459	808166	Pawl-Ratchet	520	691084	Terminal-Ground (Brass)	608	692102	Starter-Rewind
467	691985	Knob-Air Cleaner	523	692101	Dipstick	613	690297	Screw (Muffler) Used on Type No(s). 1141, 1142.
474C	696457	Alternator (Tri Circuit)	524	692053	Seal-Dipstick Tube	615	691550	Retainer-Governor Shaft
474D	696458	Alternator (10-16 Amp Regulated)	525	692093	Tube-Dipstick	616	806685	Crank-Governor (Used After Code Date 99072000).
474E	696579	Alternator (20 Amp) Used on Type No(s). 1143.	526	692067	Screw (Regulator)	616A	690899	Crank-Governor (Used Before Code Date 99072100).
			526A	690717	Screw (Regulator)(5 To 9 Amp Regulated)			
			526B	691547	Screw (Regulator) Used on Type No(s). 1143.			
			527	690423	Clamp-Tube			
			529	690744	Grommet			
			544A		Armature-Starter (Service With 691564 Starter Motor Only)			
			544B		Armature-Starter (Serviced By 499521 Starter Motor Only)			
			544C	490309	Armature-Starter			

★ Included in Engine Gasket Set-Ref. No. 358A.

● Included in Carburetor Overhaul Kit-Ref. No. 121C or 121D.

◆ Included in Carburetor Gasket Set-Ref. No. 977.

△ Included in Valve Gasket Set-Ref. No. 1095A.

Illustrations cover a range of engines. Parts shown without corresponding text may not be used on your specific engine.

351700

REF. NO.	PART NO.	DESCRIPTION	REF. NO.	PART NO.	DESCRIPTION	REF. NO.	PART NO.	DESCRIPTION
628A	806660	Screw (Fuel Pump Bracket)	729B	690586	Clip-Wire (Snap In)(Nylon)	803C	494205	Housing-Starter (4 3/8" Housing Length)
633B	◆690722	Seal-Choke/Throttle Shaft	732	690688	Screw (Starter Drive Cover)			----- Note -----
635	692076	Boot-Spark Plug	732A	841233	Screw (Starter Drive Cover)			398892 Housing-Starter
638	690706	Washer (Cylinder Head Cover)	737	690679	Screw (Oil Filter Adapter)			(4 9/16" Housing Length)
638A	691551	Washer (Cylinder Head Cover) (Used Before Code Date 03110100).	739	690451	Clip-Debris	812	△692055	Nut (Rocker Cover) (Used Before Code Date 01120300).
643	692079	Retainer-Air Filter	741	691530	Gear-Timing			
664	691087	Nut (Key Switch) Used on Type No(s). 1150.	748	692083	Screw (Control Rod Clip)	813	690635	Clamp Used on Type No(s). 1150.
668A	691500	Spacer (Knurled Insert)	773	690875	Retainer (Pawl Friction Plate)	816	690706	Washer (Oil Filter Adapter)
668B	691215	Spacer	783	695708	Gear-Pinion (Services Aluminum Ring Gear Only)	819A	692056	Screw (Muffler Bracket)
680	809638	Washer (Choke Lever)(Teikei)	788	691559	Bracket-Fuel Pump	819C	692537	Screw (Muffler Bracket)
681	●808798	Kit-Needle/Seat	789	698332	Harness-Wiring Used on Type No(s). 1145.	819D	692067	Screw (Muffler Bracket)
683	691029	Nut (Starter Solenoid) Used on Type No(s). 1150.	789A	691996	Harness-Wiring Used on Type No(s). 1150.	830	691497	Stud-Rocker Arm (Used Before Code Date 96040100).
691	690680	Seal-Governor Shaft	797	693167	Nut (Brush Retainer)	830A	809157	Stud-Rocker Arm
695	693109	Screw (Ring Gear)	797A	691029	Nut (Brush Retainer)	832	692361	Guard-Muffler Used on Type No(s). 1141, 1142.
697	692062	Screw (Drive Cap)	801	808778	Cap-Drive	833A	841233	Screw (Air Cleaner Mounting Strap/Stud)
711C	691492	Screw (Carburetor Shield)	801B	691283	Cap-Drive	836	690661	Screw (Muffler Guard) Used on Type No(s). 1141, 1142.
718	806469	Pin-Locating	802	496813	Cap-End			
726		Gear-Ring (Steel)(See Reference 23 for Service)	802A	691286	Cap-End	842	691870	Seal-O Ring (Dipstick Tube)
726A	807805	Gear-Ring (Aluminum)	802B		Cap-End (For Replacement Starter Motor, Order Reference 309B)	851	493880s	Terminal-Spark Plug
727	841313	Cover-Starter Drive (Black)	803	690854	Housing-Starter	862B	690868	Strap/Stud-Air Cleaner Mounting
729	805827	Clip-Wire Used on Type No(s). 1126, 1140, 1144, 1145.	803A	693547	Housing-Starter	863	691513	Bracket-Muffler
			803B		Housing-Starter (Serviced By 499521 Starter Motor Only)			

★ Included in Engine Gasket Set-Ref. No. 358A.

● Included in Carburetor Overhaul Kit-Ref. No. 121C or 121D.

◆ Included in Carburetor Gasket Set-Ref. No. 977.

△ Included in Valve Gasket Set-Ref. No. 1095A.

Illustrations cover a range of engines. Parts shown without corresponding text may not be used on your specific engine.

0284-19

Assemblies include all parts shown in frames.

12/02/2005

351700

REF. NO.	PART NO.	DESCRIPTION	REF. NO.	PART NO.	DESCRIPTION	REF. NO.	PART NO.	DESCRIPTION
865	841312	Cover-Air Guide (Black)	947C	809632	Solenoid-Fuel (Teikei)	1011	692929	Tube-Vent (Cut To Required Length)
865A	841319	Cover-Air Guide (Aluminum)	947D	809632	Solenoid-Fuel (Teikei)			Used on Type No(s). 1126, 1140, 1144, 1145.
868	★△691963	Seal-Valve	955	809640	Plug-Carburetor (Teikei)	1017	690878	Screen-Oil Pump
871	692057	Bushing-Valve Guide	955A	807723	Plug-Carburetor (M9)	1019	808158	Kit-Label
876	696539	Kit-Pinion Spring	955B	808176	Plug-Carburetor (M12)	1022★△	806039s	Gasket-Rocker Cover
877B	393537	Wire/Connector-Alternator (Tri Circuit)	958	698183	Valve-Fuel Shut Off (Plastic)	1023A	691558	Cover-Rocker (Cylinder 1) (With Fuel Pump)
877C	399916	Wire/Connector-Alternator (2 Wires, 7-53/64" Long)(2 Bare Wire Ends, And Insulated Snap Connect Male Pin Terminal)	967B	272490s	Filter-Pre Cleaner (Round)	1023B	691494	Cover-Rocker
877D	698092	Wire/Connector-Alternator	968B	699959	Cover-Air Cleaner (Used With Metal Air Cleaner Base)	1024	693186	Pump-Oil
878A	691955	Harness-Alternator (Tri Circuit)	971	690866	Screw (Air Cleaner Base to Carburetor)	1025	690689	Spool-Governor
878B	691362	Harness-Alternator Used on Type No(s). 1143.	975B	808179	Bowl-Float ----- Note ----- 842435 Bowl-Float (Teikei)	1026	691836	Rod-Push (Intake)(Steel) ----- Note ----- 691758 Rod-Push (Exhaust)(Aluminum)
879	690757	Cover-Carburetor	977	808325	Gasket Set-Carburetor	1027	492932	Filter-Oil (2 1/4" Long) (Used After Code Date 95020500). ----- Note ----- 491056 Filter-Oil (3 1/4" Long) (Used Before Code Date 95020600).
883A	★△691613	Gasket-Exhaust	987	◆691000	Seal-Throttle Shaft ----- Note ----- 809644 Seal-Throttle Shaft (Teikei)	1028	808235	Adapter-Oil Filter
884	690898	Clamp-Muffler	988	★692063	Gasket-Oil Adapter	1029	807323	Arm-Rocker
884A	691956	Clamp-Muffler Used on Type No(s). 1141, 1142. (1 1/4" Inside Diameter)	990	691959	Key Set Used on Type No(s). 1150.	1030	691496	Support-Rocker Arm
892	692318	Switch-Key Used on Type No(s). 1150.	996C	690917	Shield-Carburetor	1031	690693	Shaft-Rocker Arm
896	691641	Pin-Drive Retainer	1004B	690865	Duct-Air (Used With Metal Air Cleaner Base)	1036		Label-Emissions (Available from an Authorized Briggs & Stratton Service Dealer)
899	691077	Washer (Starter Solenoid)	1005	809441	Fan-Flywheel (Used After Code Date 00102500). ----- Note ----- 690911 Fan-Flywheel (Used Before Code Date 00102600).	1051	691124	Ring-Retaining
918	393815	Hose-Vacuum (Cut To Required Length)	1006	690452	Retainer-Fan	1051B	691265	Ring-Retaining
920	691656	Solenoid-Starter Used on Type No(s). 1150.				1054	280275	Tie-Cable
934	691058	Screw (Fan Retainer)				1058	276353	Operator's Manual
						1059	698516	Kit-Screw/Washer
						1083	691626	Nut (End Cap)

★ Included in Engine Gasket Set-Ref. No. 358A.

● Included in Carburetor Overhaul Kit-Ref. No. 121C or 121D.

◆ Included in Carburetor Gasket Set-Ref. No. 977.

△ Included in Valve Gasket Set-Ref. No. 1095A.

Illustrations cover a range of engines. Parts shown without corresponding text may not be used on your specific engine.

351700

REF. NO.	PART NO.	DESCRIPTION	REF. NO.	PART NO.	DESCRIPTION	REF. NO.	PART NO.	DESCRIPTION
1083A	690958	Nut (End Cap)	1100	690973	Pivot-Rocker Arm	1130	690869	Stud (Intake Manifold)
1090	691293	Retainer-Brush	1119	691552	Screw (Alternator)	1135	806497	Washer (Crankcase Cover/Sump)
1091	691515	Cap-Limiter (Teikei)	1121	810056	Nut (Fuel Pump Bracket)	1158	807468	Screw (Carburetor Plug)
1091B	691516	Cap-Limiter	1122	93410	Screw (Blower Housing Adapter)	1254	807084	Screw (Rocker Cover Stud) (Used After Code Date 01120200).
1095A	841191	Gasket Set-Valve (Used After Code Date 01120200). ----- Note ----- 808391 Gasket Set-Valve (Used Before Code Date 01120300).	1127	690885	Screw (Float Bowl) (Mount Float Bowl To Carburetor Body) ----- Note ----- 809715 Screw (Float Bowl)(Teikei)	1330	272144	Repair Manual

★ Included in Engine Gasket Set-Ref. No. 358A.

● Included in Carburetor Overhaul Kit-Ref. No. 121C or 121D.

◆ Included in Carburetor Gasket Set-Ref. No. 977.

△ Included in Valve Gasket Set-Ref. No. 1095A.

Illustrations cover a range of engines. Parts shown without corresponding text may not be used on your specific engine.

0284-21

Assemblies include all parts shown in frames.

12/02/2005