



351400

Illustrated Parts List

Model Series

351400

TYPE NUMBERS
0042 through 1256.

TABLE OF CONTENTS

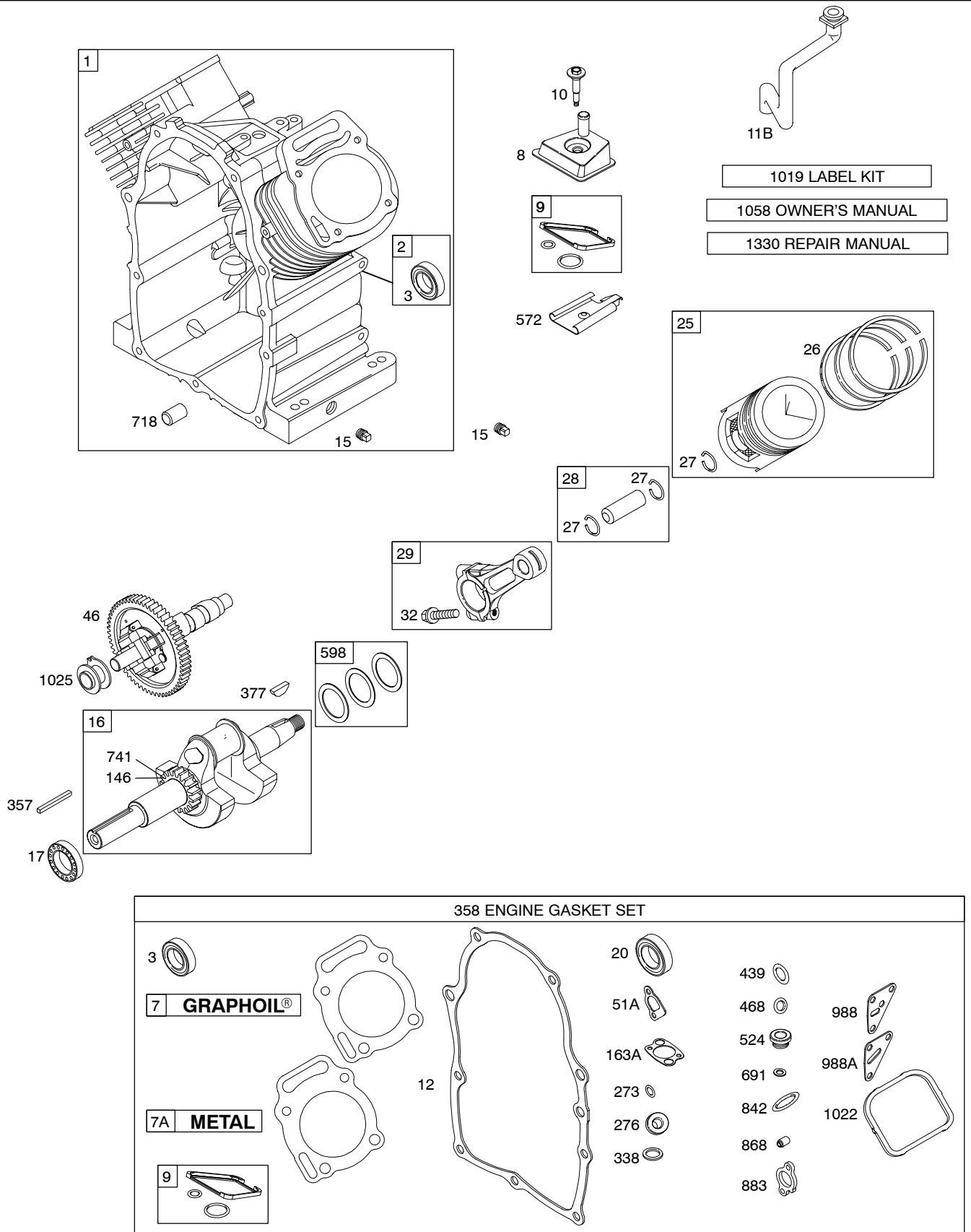
Air Cleaner	7
Alternator	14
Blower Housing	11
Camshaft	2
Carburetor	6
Controls	9
Crankcase Cover	4
Crankshaft	2
Cylinder	2
Cylinder Head	3
Electric Starter	15 & 16
Exhaust System	8
Flywheel	12
Fuel Supply	6
Gasket Set - Engine	7
Gasket Set - Valve	3
Governor Spring	9
Ignition	14
Intake Manifold	4
Kit - Carburetor Overhaul	6
Lubrication	5
Piston, Rings, Connecting Rod	2
Rewind Starter	13
Shrouds	10
Valves	3

PRINTED IN U.S.A.

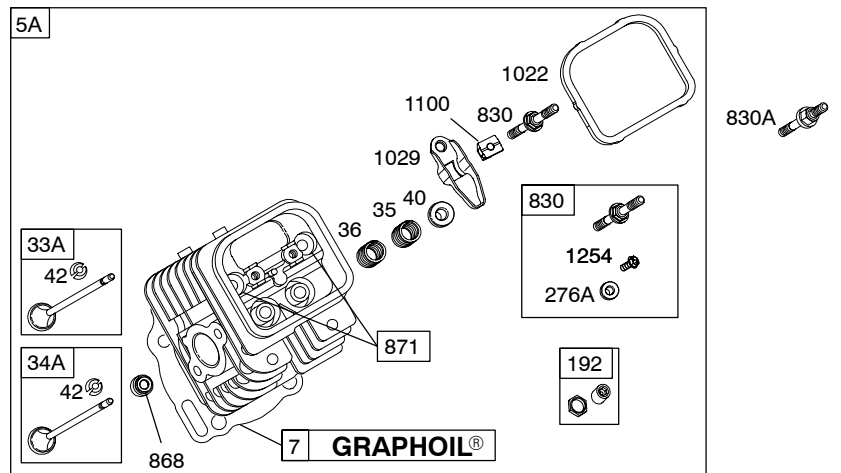
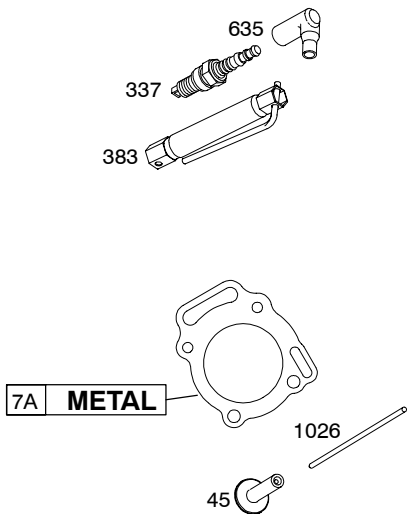
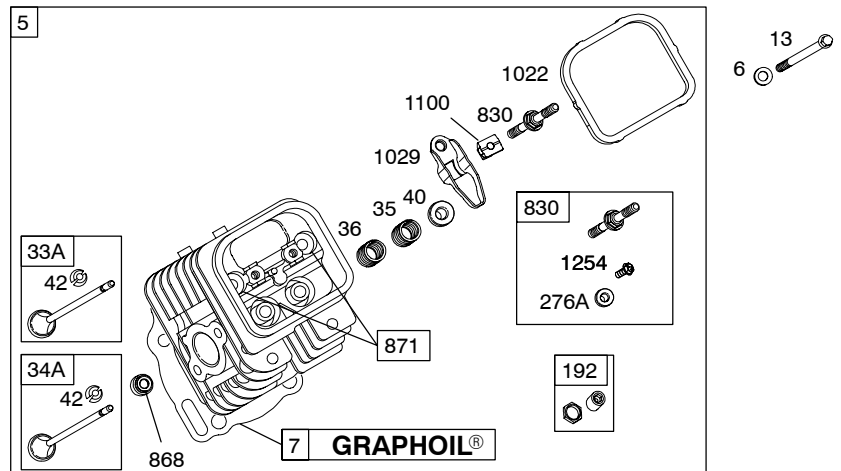
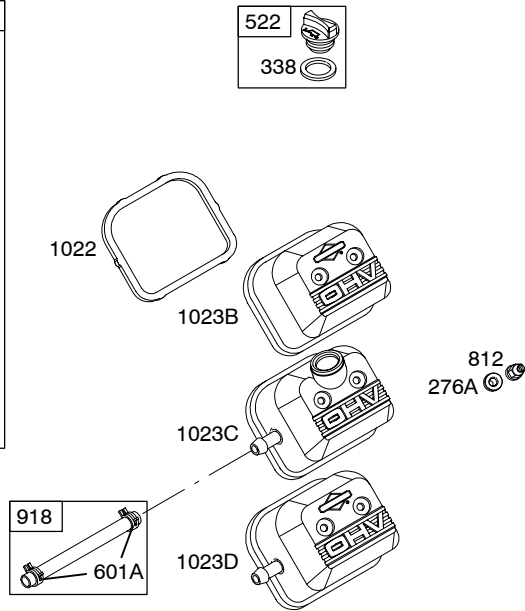
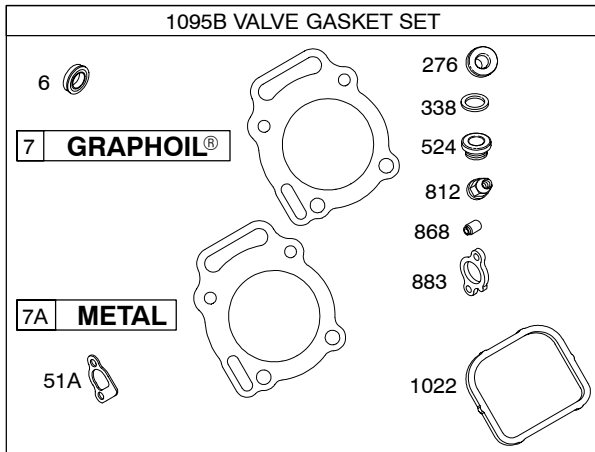


COPYRIGHT by BRIGGS & STRATTON CORPORATION
All rights reserved. No part of this material may be reproduced or transmitted, in any form or by any means, electronic or mechanical, including photocopying, recording or by any information storage and retrieval system, without permission in writing from Briggs & Stratton Corporation.

351400

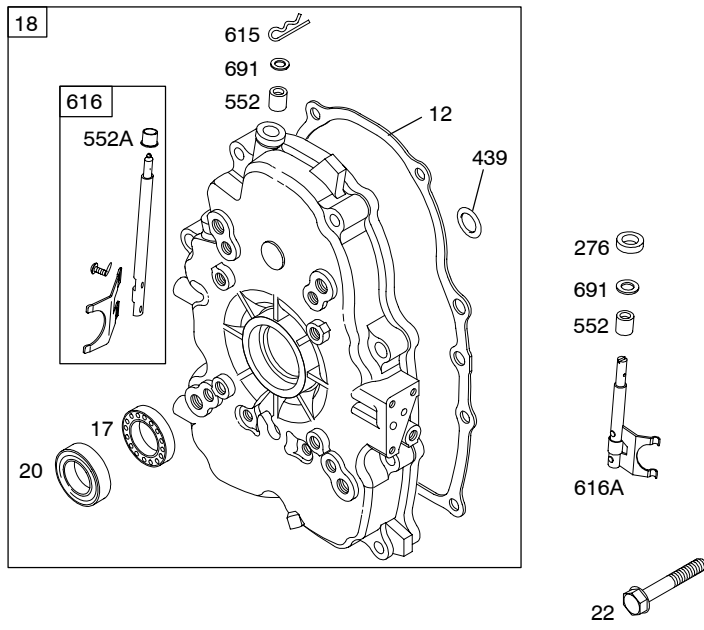
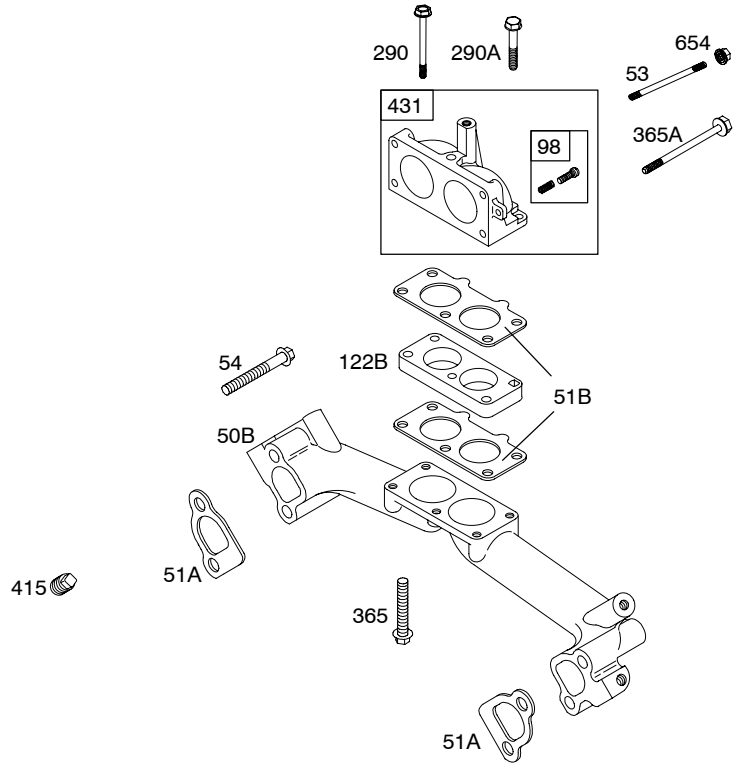


Illustrations cover a range of engines. Parts shown without corresponding text may not be used on your specific engine.
 0670-2 Assemblies include all parts shown in frames. 11/22/2005

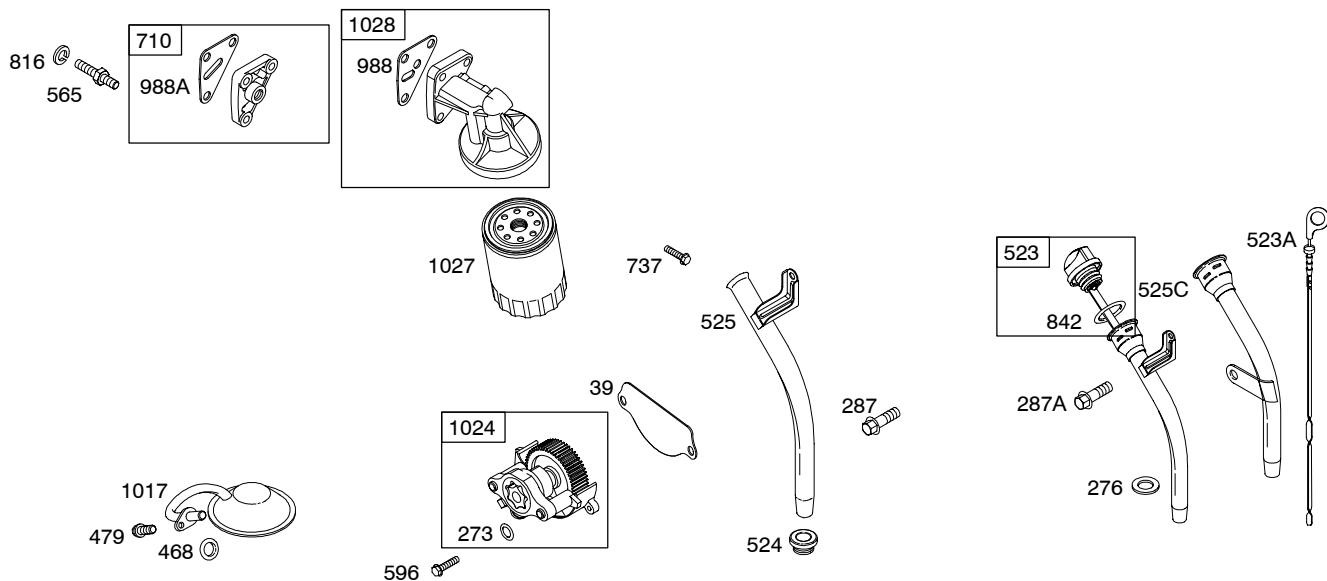


Illustrations cover a range of engines. Parts shown without corresponding text may not be used on your specific engine.

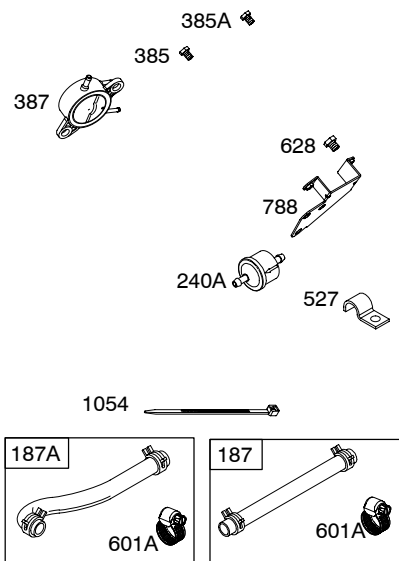
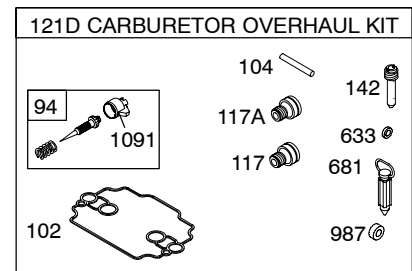
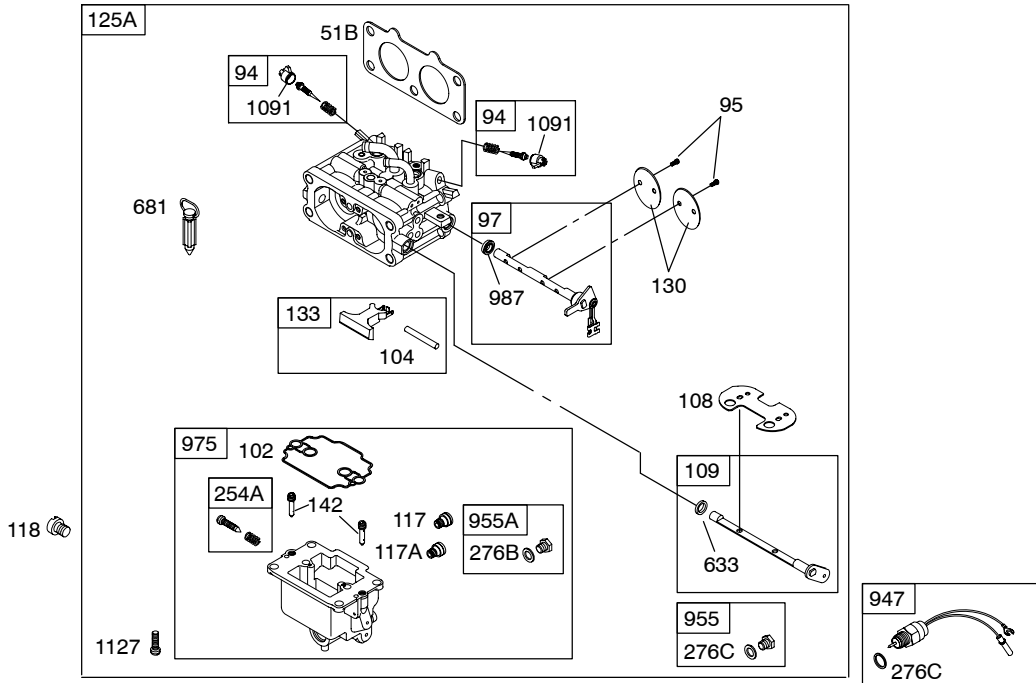
351400



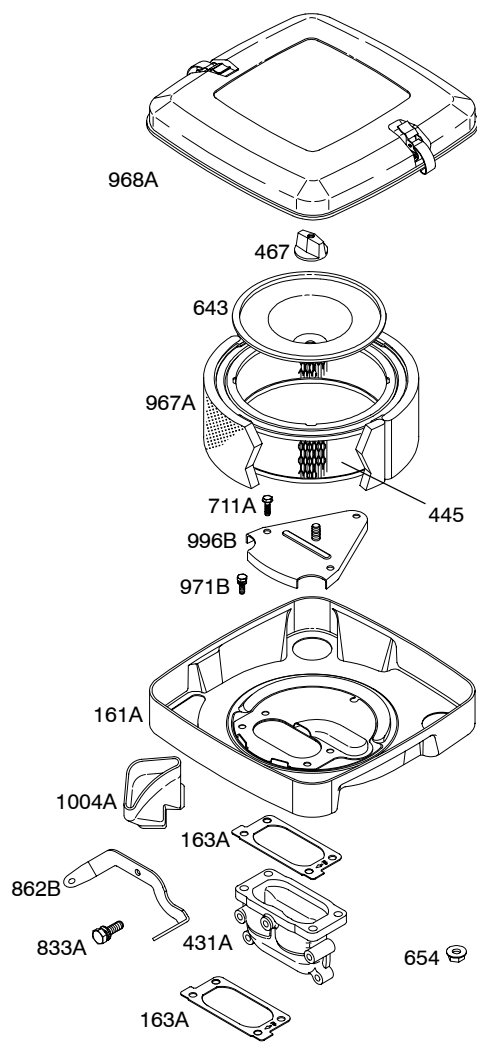
Illustrations cover a range of engines. Parts shown without corresponding text may not be used on your specific engine.
0670-4 Assemblies include all parts shown in frames. 11/22/2005



351400



Illustrations cover a range of engines. Parts shown without corresponding text may not be used on your specific engine.
 0670-6 Assemblies include all parts shown in frames. 11/22/2005



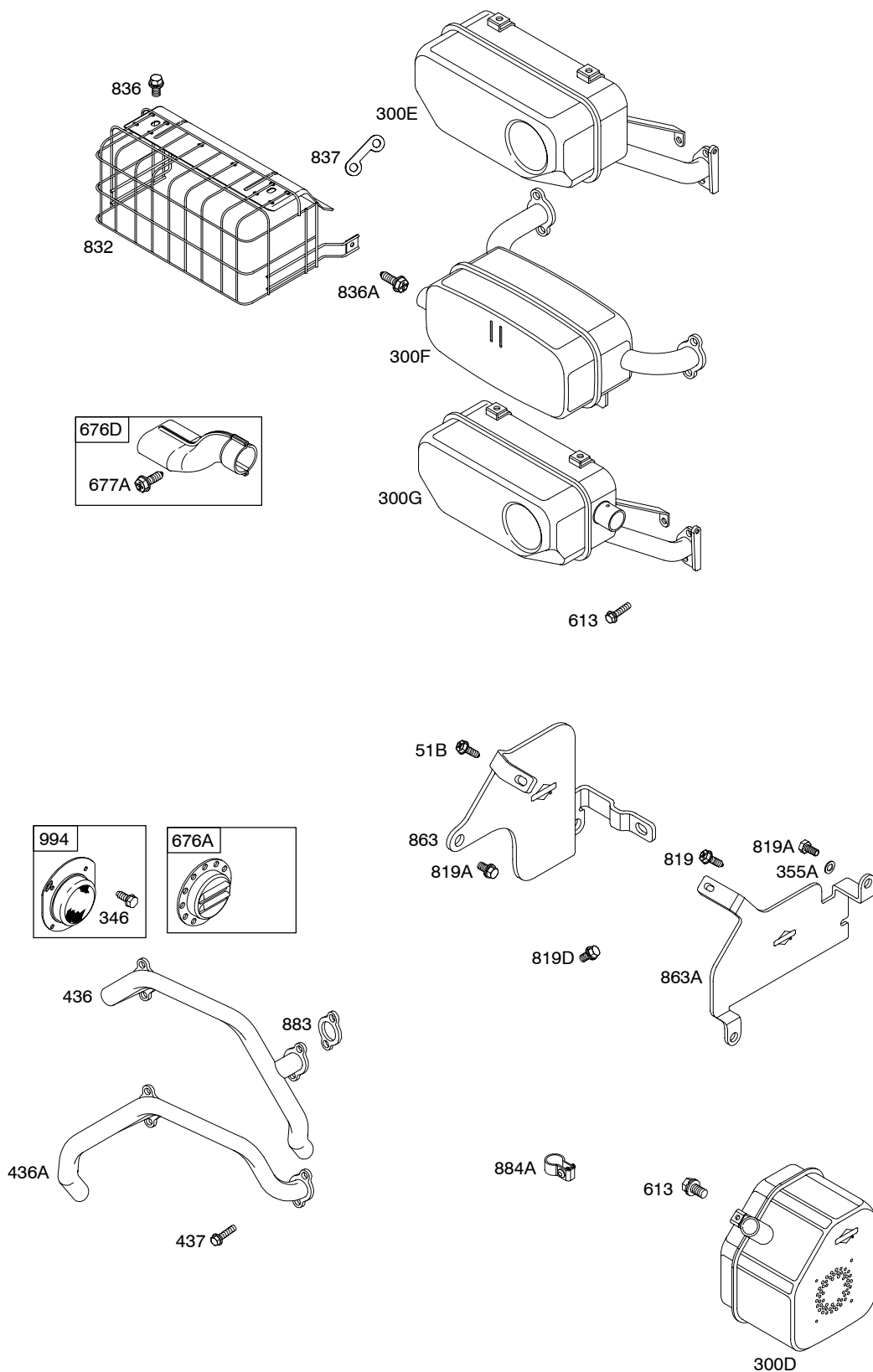
Illustrations cover a range of engines. Parts shown without corresponding text may not be used on your specific engine.

0670-7

Assemblies include all parts shown in frames.

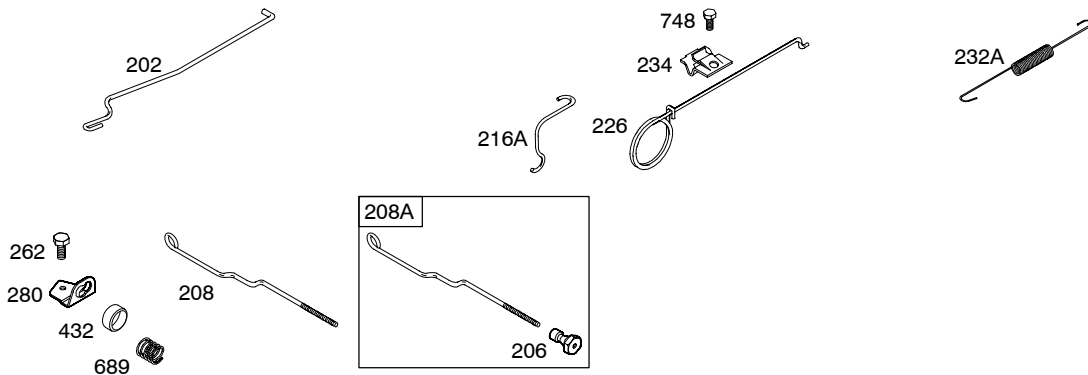
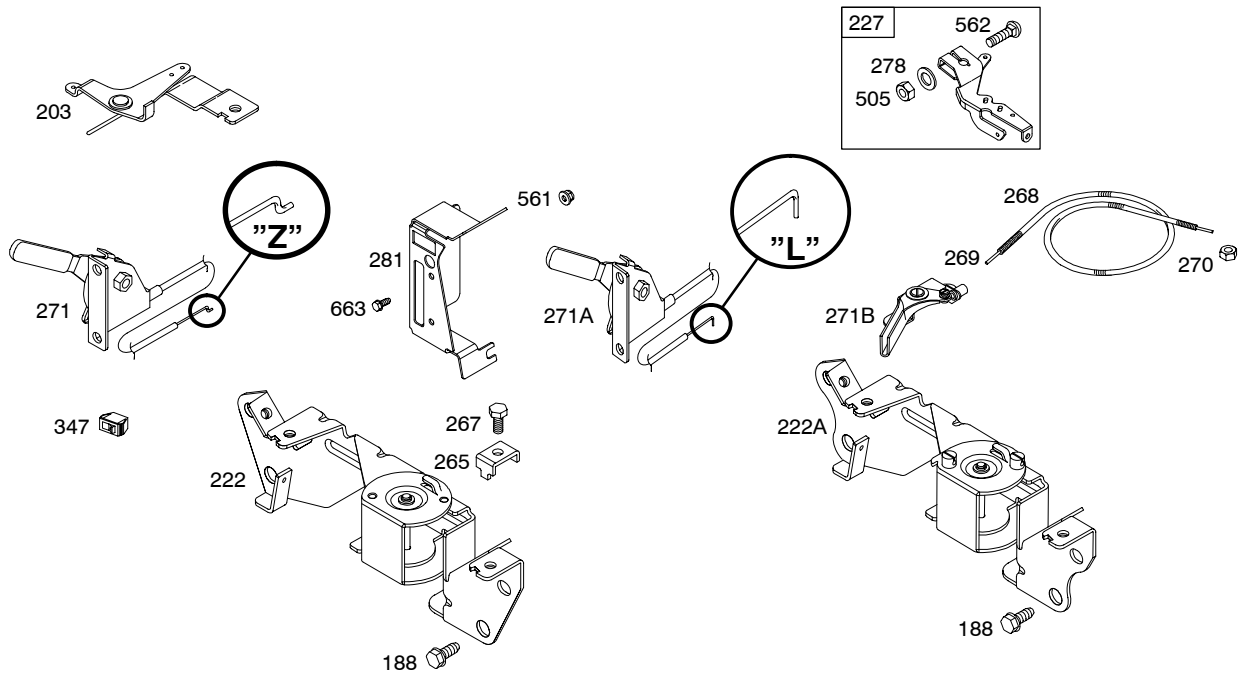
11/22/2005

351400



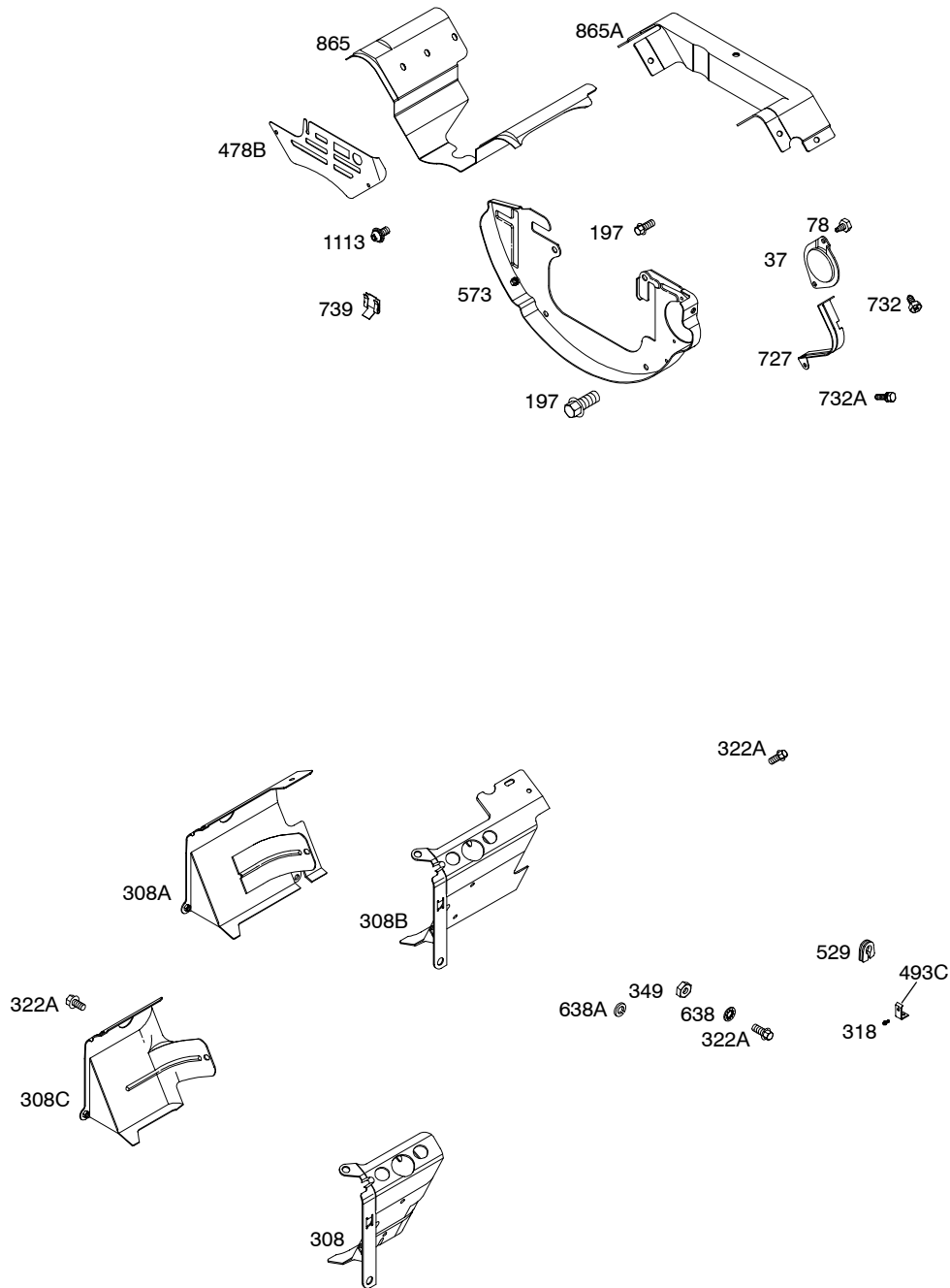
Illustrations cover a range of engines. Parts shown without corresponding text may not be used on your specific engine.
0670-8 Assemblies include all parts shown in frames.

11/22/2005

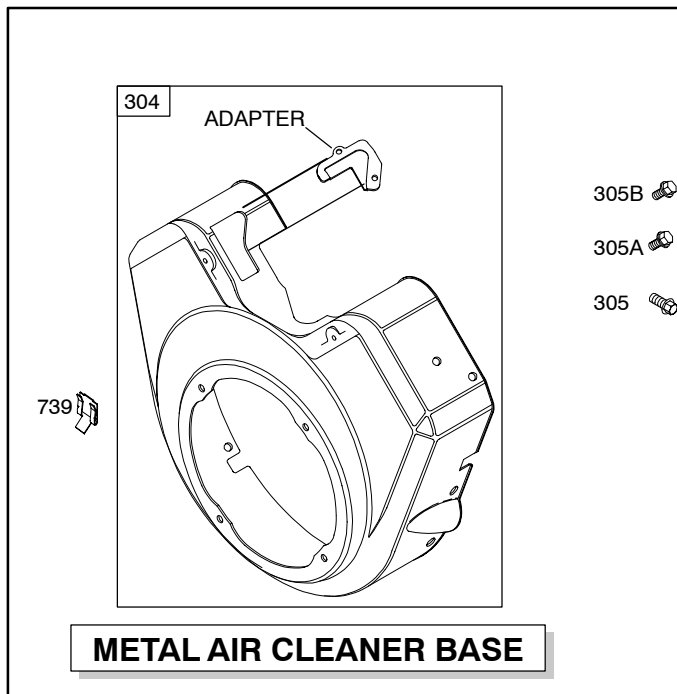


Illustrations cover a range of engines. Parts shown without corresponding text may not be used on your specific engine.
0670-9 Assemblies include all parts shown in frames. 11/22/2005

351400



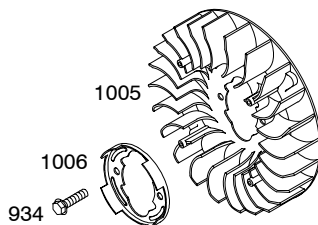
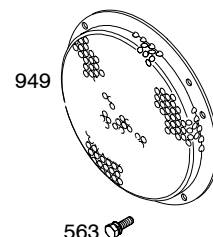
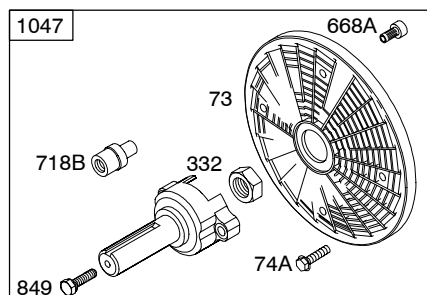
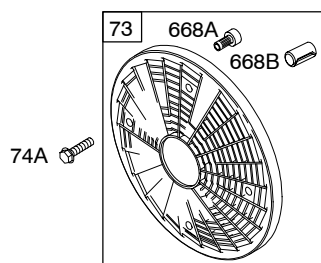
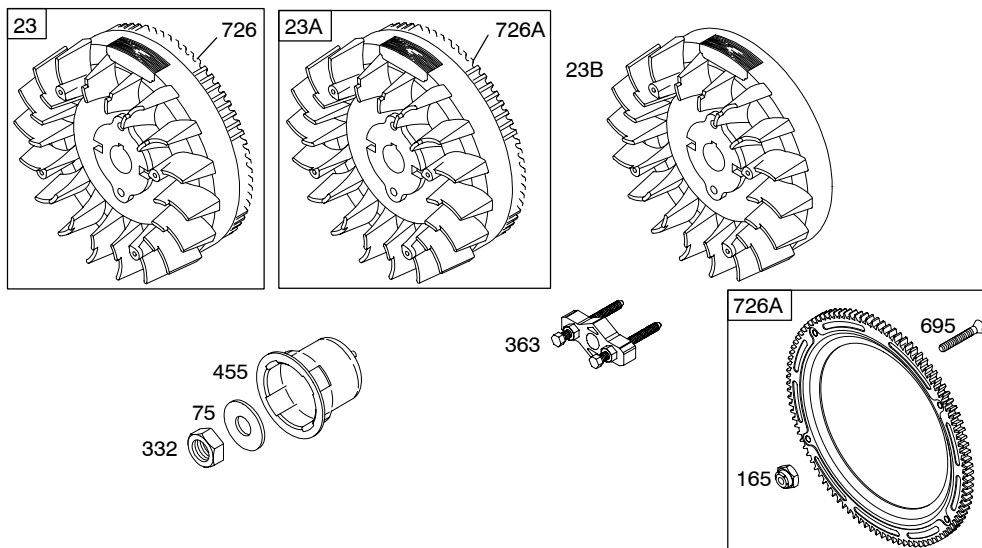
Illustrations cover a range of engines. Parts shown without corresponding text may not be used on your specific engine.
0670-10 Assemblies include all parts shown in frames. 11/22/2005



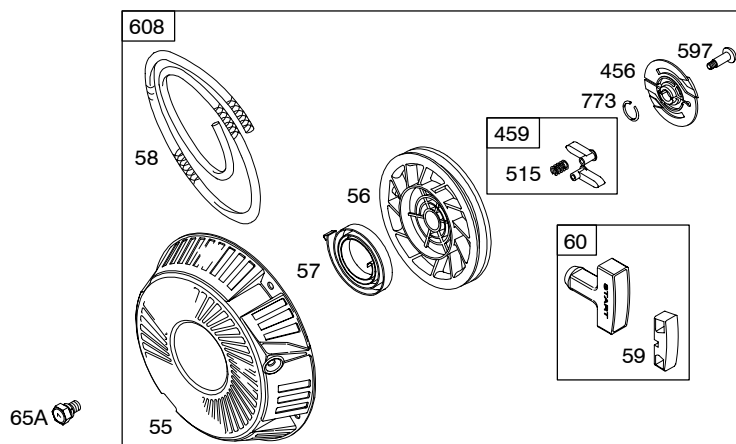
1036 EMISSION LABEL

Illustrations cover a range of engines. Parts shown without corresponding text may not be used on your specific engine.

351400

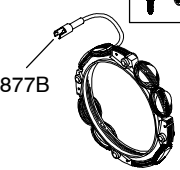
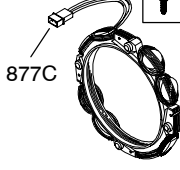
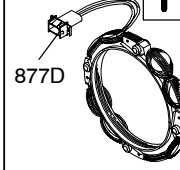
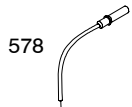
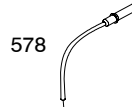
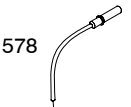
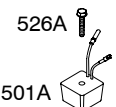
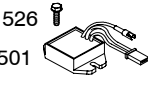




Illustrations cover a range of engines. Parts shown without corresponding text may not be used on your specific engine.
 0670-12 Assemblies include all parts shown in frames. 11/22/2005

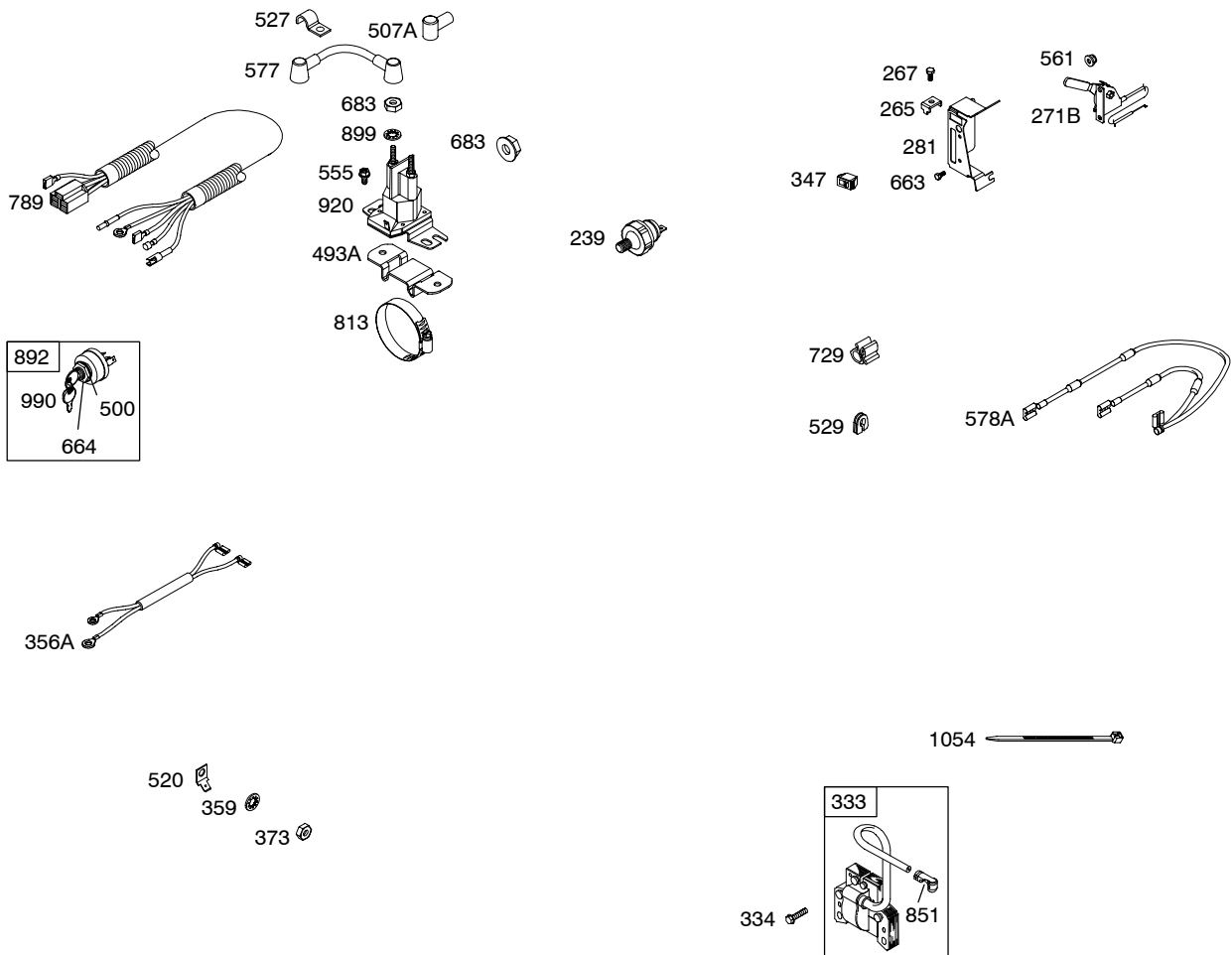


Illustrations cover a range of engines. Parts shown without corresponding text may not be used on your specific engine.
0670-13 Assemblies include all parts shown in frames. 11/22/2005

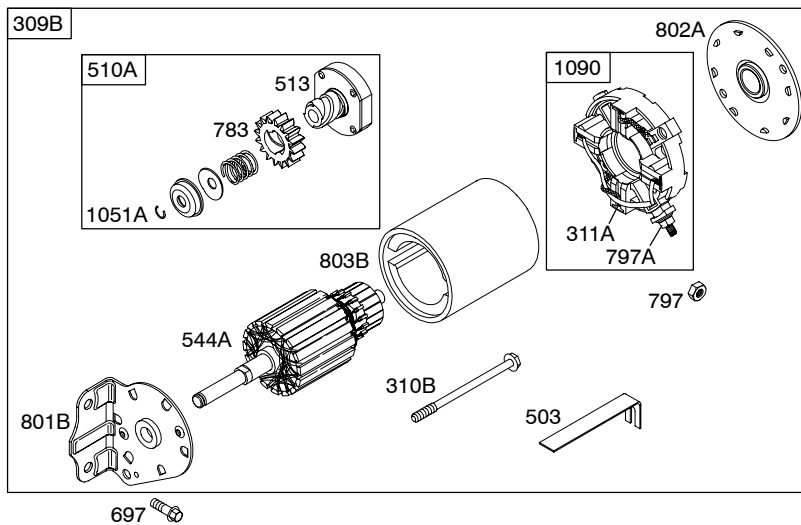
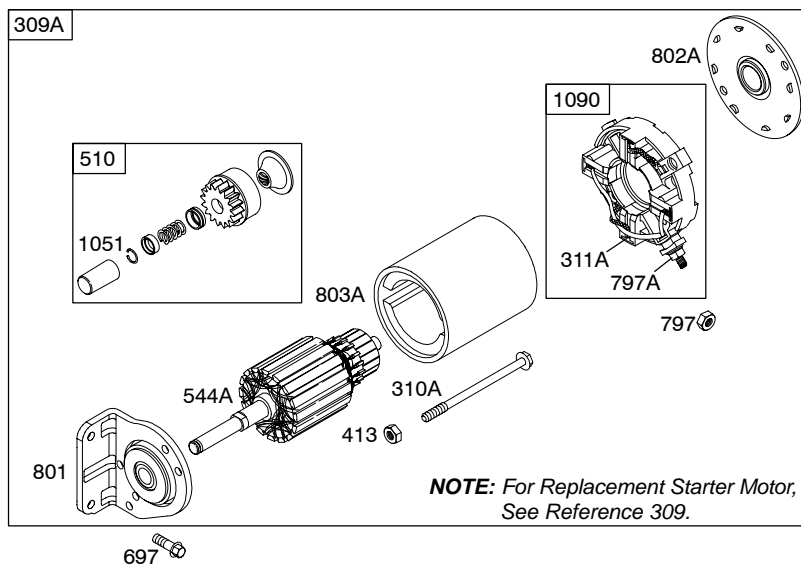
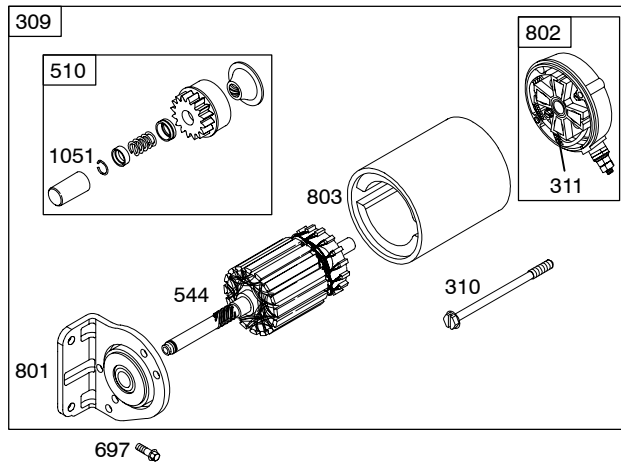
351400

5 - 9 AMP	10 - 16 AMP	20 AMP
<div style="border: 1px solid black; padding: 2px; display: inline-block;">474C</div> <div style="border: 1px solid black; padding: 2px; display: inline-block; margin-left: 20px;">1059</div> 	<div style="border: 1px solid black; padding: 2px; display: inline-block;">474D</div> <div style="border: 1px solid black; padding: 2px; display: inline-block; margin-left: 20px;">1059</div> 	<div style="border: 1px solid black; padding: 2px; display: inline-block;">474E</div> <div style="border: 1px solid black; padding: 2px; display: inline-block; margin-left: 20px;">1059</div> 
		
 501A	 501	 501B

NOTE: All stators use a No. 1119 mounting screw. 

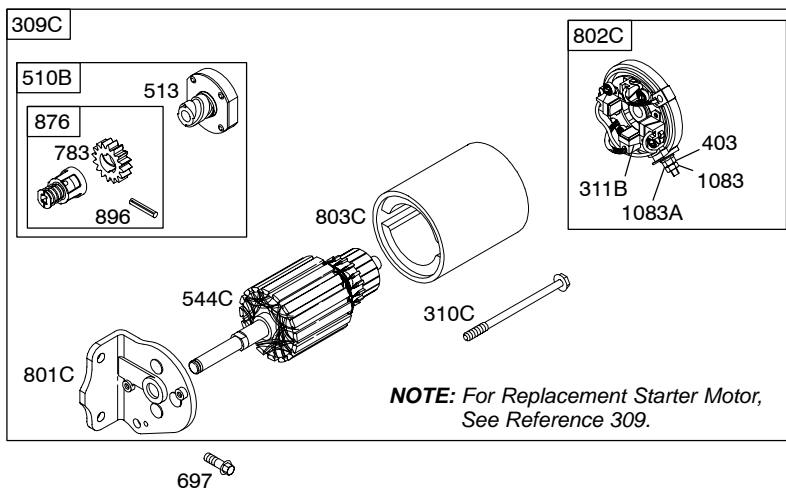


Illustrations cover a range of engines. Parts shown without corresponding text may not be used on your specific engine.
 0670-14 Assemblies include all parts shown in frames. 11/22/2005



Illustrations cover a range of engines. Parts shown without corresponding text may not be used on your specific engine.
 0670-15 Assemblies include all parts shown in frames. 11/22/2005

351400



Illustrations cover a range of engines. Parts shown without corresponding text may not be used on your specific engine.

351400

REF. NO.	PART NO.	DESCRIPTION	REF. NO.	PART NO.	DESCRIPTION	REF. NO.	PART NO.	DESCRIPTION
1	692544	Cylinder Assembly (Used After Code Date 97043000). ----- Note ----- 690903 Cylinder Assembly (Used Before Code Date 97050100).	15	690946	Plug-Oil Drain	17	691541	Bearing-Ball
2	808534	Kit-Bushing/Seal (Magneto Side) (Used After Code Date 97043000). ----- Note ----- 807687 Kit-Bushing/Seal (Magneto Side) (Used Before Code Date 97050100).	16	809842	Crankshaft (Used After Code Date 97043000). ----- Note ----- 807778 Crankshaft (Used Before Code Date 97050100). 809833 Crankshaft (Used After Code Date 03043000). Used on Type No(s). 1048. 691139 Crankshaft (Used Before Code Date 03050100). Used on Type No(s). 1048. 693073 Crankshaft Used on Type No(s). 1171. 692170 Crankshaft (Used After Code Date 97043000). Used on Type No(s). 1077, 1190. 807777 Crankshaft (Used Before Code Date 97050100). Used on Type No(s). 1077, 1190. 692173 Crankshaft (Used After Code Date 97043000). Used on Type No(s). 1042, 1043, 1078, 1115, 1131, 1139, 1140, 1170, 1172, 1193, 1236, 1256. 807780 Crankshaft (Used Before Code Date 97050100). Used on Type No(s). 0042, 0115, 1042, 1043, 1078, 1115, 1131, 1139, 1140, 1170, 1172, 1193.	18	808848	Cover-Crankcase
3	★805101s	Seal-Oil (Magneto Side)				20	★805049s	Seal-Oil (PTO Side)
5	809185	Head-Cylinder (Cylinder 1)				22	807362	Screw (Crankcase Cover/Sump)
5A	809186	Head-Cylinder (Cylinder 2)				23	808768	Flywheel (Steel Ring Gear) ----- Note ----- 808772 Flywheel (Steel Ring Gear) Used on Type No(s). 1045.
6	Δ805193	Washer (Cylinder Head) (Used Before Code Date 94050100).				23A	690921	Flywheel (Aluminum Ring Gear)
7	★Δ690888	Gasket-Cylinder Head (Graphoil) (Used After Code Date 96033100).				23B	690922	Flywheel (Rewind Starter) Used on Type No(s). 1102, 1120, 1122, 1141, 1194.
7A	★Δ805653	Gasket-Cylinder Head (Used Before Code Date 96040100).				25	808326	Piston Assembly (Standard) ----- Note ----- 808337 Piston Assembly (.020" Oversize)
8	808984	Breather Assembly				26	807889	Ring Set (Standard) ----- Note ----- 807995 Ring Set (.020" Oversize)
9	★809094	Gasket-Breather				27	690683	Lock-Piston Pin
10	690751	Screw (Breather Assembly)				28	807886	Pin-Piston (Standard)
11B	691535	Tube-Breather				29	807900s	Rod-Connecting (Standard) ----- Note ----- 807803 Rod-Connecting (.020" Undersize)
12	★691684	Gasket-Crankcase				32	690698	Screw (Connecting Rod)
13	692059	Screw (Cylinder Head)				33A	807681	Valve-Exhaust
						34A	807680	Valve-Intake

★ Included in Engine Gasket Set-Ref. No. 358.

● Included in Carburetor Overhaul Kit-Ref. No. 121D.

Δ Included in Valve Gasket Set-Ref. No. 1095B.

Illustrations cover a range of engines. Parts shown without corresponding text may not be used on your specific engine.

0670-17

Assemblies include all parts shown in frames.

11/22/2005

351400

REF. NO.	PART NO.	DESCRIPTION	REF. NO.	PART NO.	DESCRIPTION	REF. NO.	PART NO.	DESCRIPTION
35	692084	Spring-Valve (Intake)	104	●690882	Pin-Float Hinge	209	692070	Spring-Governor
36	692084	Spring-Valve (Exhaust)	108	690883	Valve-Choke			----- Note -----
37	690715	Guard-Flywheel (Black)	109	808277	Shaft-Choke			692072 Spring-Governor
39	690745	Deflector-Oil	117	●808406	Jet-Main (Standard)(Cylinder 1)			Used on Type No(s). 1182.
40	692058	Retainer-Valve	117A	●690880	Jet-Main (Standard)(Cylinder 2)			692071 Spring-Governor
42	807683	Keeper-Valve	118	809442	Jet-Main (High Altitude) (Left or Cylinder 1)			Used on Type No(s). 0064, 1064, 1074.
45	690977	Tappet-Valve			----- Note -----			691546 Spring-Governor
46	690927	Camshaft			807115 Jet-Main (High Altitude) (Right Or Cylinder 2)			(Used After Code Date 95053100).
50B	690886	Manifold-Intake	121D	808279	Kit-Carburetor Overhaul			Used on Type No(s). 1042, 1078, 1170, 1256.
51A	★692035	Gasket-Intake (Manifold to Head)	122B	690870	Spacer-Carburetor			691506 Spring-Governor
51B	Δ★690950	Gasket-Intake (Manifold To Carburetor)	125A	808278	Carburetor			(Used Before Code Date 95060100).
53	690746	Stud (Carburetor)	130	690884	Valve-Throttle			Used on Type No(s). 0042, 1042, 1078, 1170.
54	690676	Screw (Intake Manifold)	133	808180	Float-Carburetor			691507 Spring-Governor
55	691568	Housing-Rewind Starter	142	●691545	Nozzle-Carburetor (Standard)			Used on Type No(s). 0182, 1182.
56	692085	Pulley-Starter	146	691639	Key-Timing			209A 690709 Spring-Governor
57	692086	Spring-Rewind Starter	161A	690928	Base-Air Cleaner (Metal)			Used on Type No(s). 0115, 1043, 1115, 1131, 1139, 1140, 1172, 1193, 1236.
58	66574	Rope-Starter (Cut To Required Length)	163A	★692087	Gasket-Air Cleaner			
59	805957	Insert-Grip	165	693148	Nut (Ring Gear)			
60	808167	Grip-Starter Rope	187	791745	Line-Fuel			
65A	841233	Screw (Rewind Starter)	187A	791801	Line-Fuel (Molded)			
73	494439	Screen-Rotating (8 9/32" Diameter)	188	692056	Screw (Control Bracket)			
74A	691647	Screw (Rotating Screen)	192	807623	Adjuster-Rocker Arm			
75	691490	Washer (Flywheel)	197	807163	Screw (Back Plate)			
78	690688	Screw (Flywheel Guard)	202	691536	Link-Mechanical Governor			
94	●808257	Kit-Idle Mixture	203	690923	Crank-Bell			
95	●690718	Screw (Throttle Valve)	206	691244	Nut-Governor Adjusting			
97	808335	Shaft-Throttle	208	691549	Rod-Governor Control (Used After Code Date 96033100).			
98	841842	Kit-Idle Speed	208A	808453	Rod-Governor Control (Used Before Code Date 96040100).			
102	●693711	Gasket-Carburetor Body						

★ Included in Engine Gasket Set-Ref. No. 358.

Δ Included in Valve Gasket Set-Ref. No. 1095B.

● Included in Carburetor Overhaul Kit-Ref. No. 121D.

Illustrations cover a range of engines. Parts shown without corresponding text may not be used on your specific engine.

351400

REF. NO.	PART NO.	DESCRIPTION	REF. NO.	PART NO.	DESCRIPTION	REF. NO.	PART NO.	DESCRIPTION
211	692069	Spring-Governed Idle ----- Note ----- 692068 Spring-Governed Idle (Used Before Code Date 95060100). Used on Type No(s). 0042, 1042, 1078, 1170. 691504 Spring-Governed Idle (Used After Code Date 95053100). Used on Type No(s). 1043, 1115, 1131, 1139, 1140, 1172, 1193, 1236.	262	692083	Screw (Rod Bracket)	287A	692062	Screw (Dipstick Tube)
			265	691024	Clamp-Casing	290	691537	Screw (Intake Elbow) (70mm Long)
			267	692083	Screw (Casing Clamp)	290A	691492	Screw (Intake Elbow) (30mm Long)
			268	691025	Casing-Control Wire (Cut To Required Length)	300D	692099	Muffler (Lo Mount)(Starter Motor Side Or Oil Filter Side)
			269	691026	Wire-Control (Cut To Required Length)	300E	690906	Muffler (Hi Mount) (Starter Side Exit)
			270	691027	Nut (Control Wire Casing)	300F	690931	Muffler (Hi Mount) (Starter Side Exit)
			271	692541	Lever-Control (Cable Wire With "Z" Formed End)	300G	691562	Muffler (Hi Mount) (Oil Filter Side Exit)
211A	690707	Spring-Governed Idle Used on Type No(s). 1042, 1078, 1170, 1256. ----- Note ----- 690707 Spring-Governed Idle (Used Before Code Date 95060100). Used on Type No(s). 0115, 1043, 1115, 1172, 1193.	271A	692105	Lever-Control (Cable Wire With "L" Formed End)	304	690915	Housing-Blower (Red) ----- Note ----- 690914 Housing-Blower (Black) Used on Type No(s). 0182, 1048, 1075, 1076, 1122, 1176, 1182, 1192, 1196, 1203, 1234, 1236, 1239.
			271B	691028	Lever-Control			
			273	★690681	Seal-O Ring (Oil Pump)	305	692056	Screw (Blower Housing) (14mm)
			276	690704	Washer-Sealing (Governor Crank)	305A	692062	Screw (Blower Housing) (18mm Long)
			276A	★△807085	Washer-Sealing (Rocker Cover) (Used After Code Date 01120200). ----- Note ----- 691766 Washer-Sealing (Rocker Cover) (Used Before Code Date 01120300).	305B	691982	Screw (Blower Housing) (8mm Long)
216A	691542	Link-Choke				308	841232	Cover-Cylinder Head (Cylinder 1) (Non Ducted)
222	808454	Bracket-Control (Used With Control Lever And/Or Wire With "Z" Formed End)	276B	690724	Washer-Sealing (Main Jet)			
222A	690918	Bracket-Control (Used With Control Lever And/Or Wire With "L" Formed End)	276C	693497	Washer-Sealing (Main Jet)			
226	692075	Rod-Hand Choke	278	842122	Washer (Governor Control Lever)			
227	690236	Lever-Governor Control	280	691526	Bracket-Rod			
232A	691538	Spring-Governor Link	281	690742	Panel-Control			
234	691723	Clip-Control Rod	287	806660	Screw (Dipstick Tube)			
239	690233	Switch-Oil Pressure						
240A	691035	Filter-Fuel						
254A	808178	Drain-Carburetor Bowl						

★ Included in Engine Gasket Set-Ref. No. 358.

● Included in Carburetor Overhaul Kit-Ref. No. 121D.

△ Included in Valve Gasket Set-Ref. No. 1095B.

Illustrations cover a range of engines. Parts shown without corresponding text may not be used on your specific engine.

351400

REF. NO.	PART NO.	DESCRIPTION	REF. NO.	PART NO.	DESCRIPTION	REF. NO.	PART NO.	DESCRIPTION
308A	806544	Cover-Cylinder Head (Cylinder 2)(Ducted)	337	491055s	Plug-Spark ----- Note -----	385	807084	Screw (Fuel Pump)
308B	841317	Cover-Cylinder Head (Cylinder 1)(Ducted)			792015 Plug-Spark Used on Type No(s).			(Used After Code Date 01120200).
308C	692805	Cover-Cylinder Head (Cylinder 2) (Non Ducted)			1023, 1048, 1075, 1077, 1078, 1079, 1096, 1181, 1186, 1194, 1228, 1236, 1245, 1251, 1256.	385A	693169	Screw (Fuel Pump)
309	691564	Motor-Starter (Steel Ring Gear)				387	808656	Pump-Fuel
309A		Motor-Starter (For Replacement Starter Motor, Order Reference 309)	338	691312	Gasket-Dipstick	403	690288	Washer (End Cap)
309B	499521	Motor-Starter (For Aluminum Ring Gear Only)	346	690661	Screw (Spark Arrestor)	413	693587	Nut (Starter Motor)
309C		Motor-Starter (Serviced By 499521 Starter Motor Only)	347	691995	Switch-Rocker	415	690283	Plug
310	496880	Screw (Starter Motor) (4 1/4" Long)	349	690238	Nut (Cylinder Head Cover)	431	690925	Elbow-Intake
310A	690323	Screw (Starter Motor) (4 7/16" Long)	355A	690944	Washer (Muffler Bracket)	431A	691534	Elbow-Intake
310B	691263	Screw (Starter Motor) (4 13/16" Long)	356A	690809	Wire-Stop (2 Wires, 10-3/4", And 12-1/2" Long, Connected By ShrinkTube)(Insulated Flag Female Blade Terminal And 2 Ring Terminals)	432	691509	Cap-Spring
310C	692329	Screw (Starter Motor) (5-3/8" Long)				436	692061	Manifold-Exhaust (Lo Mount) (Oil Filter Side)
311	496887	Brush Set	357	691483	Key-Drive Pulley	436A	691499	Manifold-Exhaust (Lo Mount)(Starter Motor Side)
311A	497608	Brush Set	358	841188	Gasket Set-Engine (Used After Code Date 01120300).	437	691902	Screw (Exhaust Manifold)
311B	490311	Brush Set (4 9/16" Housing Length)			----- Note -----	439	★692154	Seal-O Ring (Crankcase Cover/Sump) (Used After Code Date 97043000).
318	691982	Screw (Mounting Bracket)			808389 Gasket Set-Engine (Used Before Code Date 01120300).			----- Note -----
322A	692067	Screw (Cylinder Head Cover)	359	691077	Washer (Ground Terminal)			805198 Seal-O Ring (Crankcase Cover/Sump) (Used Before Code Date 97050100).
332	690887	Nut (Flywheel)	363	19203	Puller-Flywheel	445	394018s	Filter-Air Cleaner Cartridge
333	492341	Armature-Magneto	365	690866	Screw (Carburetor)	455	690864	Cup-Flywheel
334	692066	Screw (Magneto Armature)	365A	690885	Screw (Carburetor)	456	691529	Plate-Pawl Friction
			373	691612	Nut (Ground Terminal)	459	808166	Pawl-Ratchet
			377	808095	Key-Woodruff	467	691985	Knob-Air Cleaner
			383	19374s	Wrench-Spark Plug	468	★690690	Seal-O Ring (Oil Pump Screen)
						474C	696457	Alternator (5 To 9 Amp Regulated)

★ Included in Engine Gasket Set-Ref. No. 358.

△ Included in Valve Gasket Set-Ref. No. 1095B.

● Included in Carburetor Overhaul Kit-Ref. No. 121D.

Illustrations cover a range of engines. Parts shown without corresponding text may not be used on your specific engine.

351400

REF. NO.	PART NO.	DESCRIPTION	REF. NO.	PART NO.	DESCRIPTION	REF. NO.	PART NO.	DESCRIPTION
474D	696458	Alternator (10-16 Amp Regulated)	524	★693172	Seal-Dipstick Tube (Used After Code Date 98053100).	544C	490309	Armature-Starter (4-3/8" Housing Length)
474E	696579	Alternator (20 Amp) Used on Type No(s). 1045.			----- Note ----- 281370s Seal-Dipstick Tube (Used Before Code Date 98060100).	552	690701	Bushing-Governor Crank (Output End)
478B	691533	Panel	525	693174	Tube-Dipstick (Used After Code Date 98053100).	552A	806686	Bushing-Governor Crank (Flanged)
479	692537	Screw (Oil Pump Screen)	525C	690897	Tube-Dipstick (Standard) (Used Before Code Date 98060100).	555	692067	Screw (Starter Solenoid)
493A	691177	Bracket-Mounting (Starter Solenoid)			----- Note ----- 690907 Tube-Dipstick (Standard) Used on Type No(s). 0415, 0416, 0417, 1192, 1203, 1233.	561	690713	Nut (Control Lever)
493C	691503	Bracket-Mounting (Air Guide)	526	692067	Screw (Regulator)(10-16 Amp Regulated)	562	690239	Bolt (Governor Control Lever)
500	691086	Washer (Key Switch)	526A	690717	Screw (Regulator)(5 To 9 Amp Regulated) ----- Note ----- 810084 Screw (Regulator)(5 To 9 Amp Regulated) Used on Type No(s). 1139.	563	691982	Screw (Debris Screen Guard)
501	691185	Regulator (10-16 Amp Regulated)				565	690682	Stud (Oil Filter Adapter)
501A	691188	Regulator (5 To 9 Amp Regulated)	527	690423	Clamp-Tube	572	690686	Baffle-Breather
501B	691573	Regulator (20 Amp)	529	690744	Grommet	573	841310	Plate-Back ----- Note ----- 693045 Plate-Back Used on Type No(s). 0417.
503	691532	Strap-Starter	544		Armature-Starter (For Replacement Armature, Order Reference 309)	577	690795	Cable-Starter
505	690238	Nut (Governor Control Lever)	544A		Armature-Starter (Serviced By 499521 Starter Motor Only)	578	692306	Wire Assembly (1 Wire, 48-1/2" Long)(Snap Connect Female Pin Socket, And Bare Wire End)
507A	691972	Insulator				578A	692319	Wire Assembly
510	496881	Drive-Starter (Used With Steel Ring Gear)	526B	691547	Screw (Regulator)(20 Amp)	596	691492	Screw (Oil Pump)
510A	696541	Drive-Starter	527	690423	Clamp-Tube	597	690876	Screw (Pawl Friction Plate)
510B	696540	Drive-Starter	529	690744	Grommet	598	807625	Shim-End Play (Crankshaft or Camshaft Bearing)
513	692024	Clutch-Drive	544			601A	791850	Clamp-Hose
515	691528	Spring-Pawl				608	692102	Starter-Rewind
520	691084	Terminal-Ground				613	692067	Screw (Muffler)
522	491832	Plug-Dipstick/Fill						
523	692100	Dipstick (Used Before Code Date 98060100).						
523A	693175	Dipstick (Used After Code Date 98053100).						

★ Included in Engine Gasket Set-Ref. No. 358.

● Included in Carburetor Overhaul Kit-Ref. No. 121D.

△ Included in Valve Gasket Set-Ref. No. 1095B.

Illustrations cover a range of engines. Parts shown without corresponding text may not be used on your specific engine.

0670-21

Assemblies include all parts shown in frames.

11/22/2005

351400

REF. NO.	PART NO.	DESCRIPTION	REF. NO.	PART NO.	DESCRIPTION	REF. NO.	PART NO.	DESCRIPTION
615	691550	Retainer-Governor Shaft	726A	807805	Gear-Ring (Aluminum)	803C	494205	Housing-Starter (4-3/8" Housing Length)
616	806685	Crank-Governor (Used After Code Date 99072000).	727	841313	Cover-Starter Drive			----- Note -----
616A	690899	Crank-Governor (Used Before Code Date 99072100).	729	690586	Clip-Wire			398892 Housing-Starter
628	806660	Screw (Fuel Pump Bracket)	732	690688	Screw (Starter Drive Cover)			(4 9/16" Housing Length)
633	690722	Seal-Choke/Throttle Shaft	732A	841233	Screw (Starter Drive Cover)	812	Δ692055	Nut (Rocker Cover) (Used Before Code Date 01120300).
635	692076	Boot-Spark Plug	737	690679	Screw (Oil Filter Adapter)	813	690635	Clamp
638	691551	Washer (Cylinder Head Cover) (Used Before Code Date 03110100).	739	690451	Clip-Debris	816	690706	Washer (Oil Filter Adapter)
638A	690706	Washer (Cylinder Head Cover)	741	691530	Gear-Timing	819	690943	Screw (Muffler Bracket)
643	692079	Retainer-Air Filter	748	692083	Screw (Control Rod Clip)	819A	692067	Screw (Muffler Bracket)
654	690939	Nut (Carburetor)	773	690875	Retainer	819D	692056	Screw (Muffler Bracket)
663	692083	Screw (Control Panel)	783	695708	Gear-Pinion (Services Aluminum Ring Gear Only)	830	809157	Stud-Rocker Arm (Used After Code Date 96033100).
664	691087	Nut (Key Switch)	788	691559	Bracket-Fuel Pump	830A	691497	Stud-Rocker Arm (Used Before Code Date 96040100).
668A	691500	Spacer	789	691996	Harness-Wiring	832	691571	Guard-Muffler
668B	691215	Spacer			----- Note -----	833A	841233	Screw (Air Cleaner Mounting Strap/Stud)
676A	397630	Deflector-Muffler (Louvered)			691578 Harness-Wiring	836	691514	Screw (Muffler Guard)
676D	808394	Deflector-Muffler (Elbow)			Used on Type No(s). 1045.	836A	692067	Screw (Muffler Guard)
677A	690688	Screw (Muffler Deflector)	797	691029	Nut (Brush Retainer)	837	808085	Spacer-Muffler (Includes 2)
681	808798	Kit-Needle/Seat	797A	691626	Nut (Brush Retainer)	842	690611	Seal-O Ring (Dipstick Tube)
683	691029	Nut (Starter Solenoid)	801	808778	Cap-Drive	849	691088	Screw (Stub Shaft)
689	691272	Spring-Friction	801B	691283	Cap-Drive	851	493880s	Terminal-Spark Plug
691	690680	Seal-Governor Shaft	801C		Cap-Drive (Serviced By 499521 Starter Motor Only)	862B	691539	Strap/Stud-Air Cleaner Mounting
695	693109	Screw (Ring Gear)	802	496813	Cap-End	863	691513	Bracket-Muffler (Lo Mount) (Oil Filter Side)
697	692062	Screw (Drive Cap)	802A	691286	Cap-End (Serviced By 499521 Starter Motor Only)	863A	690756	Bracket-Muffler (Lo Mount)(Starter Motor Side)
710	807689	Cover-Oil Filter	802C		Cap-End (Serviced By 499521 Starter Motor Only)	865	841312	Cover-Air Guide (Black)
711A	807084	Screw (Carburetor Shield)	803	690854	Housing-Starter (3 7/16" Housing Length)			
718	806469	Pin-Locating	803A	693547	Housing-Starter (3 13/16" Housing Length)			
718B	690740	Pin-Locating	803B		Housing-Starter (Serviced by 499521 Starter Motor Only)			
726		Gear-Ring (Steel)(See Reference 23 for Service)						

★ Included in Engine Gasket Set-Ref. No. 358.

Δ Included in Valve Gasket Set-Ref. No. 1095B.

● Included in Carburetor Overhaul Kit-Ref. No. 121D.

Illustrations cover a range of engines. Parts shown without corresponding text may not be used on your specific engine.

6070-22

Assemblies include all parts shown in frames.

11/22/2005

351400

REF. NO.	PART NO.	DESCRIPTION	REF. NO.	PART NO.	DESCRIPTION	REF. NO.	PART NO.	DESCRIPTION
865A	841319	Cover-Air Guide (Aluminum) ----- Note ----- 690908 Cover-Air Guide (Black) (Used Before Code Date 03110100). Used on Type No(s). 1192, 1203, 1233.	988	★692063	Gasket-Oil Adapter	1028	808033	Adapter-Oil Filter (For Horizontal Mounted Oil Filter) ----- Note ----- 808235 Adapter-Oil Filter
868	691963	Seal-Valve	988A	★690687	Gasket-Oil Adapter	1029	807323	Arm-Rocker
871	692057	Bushing-Valve Guide	990	691959	Key Set	1030	691496	Support-Rocker Arm
876	696539	Kit-Pinion Spring	994	392390	Arrestor-Spark	1031	690693	Shaft-Rocker Arm
877B	393537	Wire/Connector-Alternator (Green)(Single Socket)	996B	690917	Shield-Carburetor	1036		Label-Emissions (Available from an Authorized Briggs & Stratton Service Dealer)
877C	399916	Wire/Connector-Alternator (2 Wires, 7-53/64" Long)(2 Bare Wire Ends, And Insulated Snap Connect Male Pin Terminal)	1004A	691540	Duct-Air	1047	841580	Shaft-Stub
877D	698092	Wire/Connector-Alternator	1005	809441	Fan-Flywheel (Used After Code Date 00102500). ----- Note ----- 690911 Fan-Flywheel (Used Before Code Date 00102600).	1051	691124	Ring-Retaining
883	★△691613	Gasket-Exhaust	1006	690452	Retainer-Fan	1051A	691265	Ring-Retaining
884A	690898	Clamp-Muffler	1017	690900	Screen-Oil Pump	1054	280275	Tie-Cable
892	692318	Switch-Key	1019	808158	Kit-Label	1058	275368	Operator's Manual
896	691641	Pin-Drive Retainer	1022★△	806039s	Gasket-Rocker Cover	1059	698516	Kit-Screw/Washer
899	691077	Washer (Starter Solenoid)	1023B	691494	Cover-Rocker ----- Note ----- 690758 Cover-Rocker Used on Type No(s). 1117, 1123, 1126, 1192, 1197, 1203, 1234.	1083	691626	Nut (End Cap)
918	393815	Hose-Vacuum (Cut To Required Length)	1023C	690910	Cover-Rocker	1083A	690958	Nut (End Cap)
920	691656	Solenoid-Starter	1023D	691558	Cover-Rocker Used on Type No(s). 1117, 1119, 1120, 1123, 1126, 1130, 1138, 1139, 1141, 1172, 1173, 1183, 1192, 1193, 1194, 1195, 1197, 1203, 1221, 1229, 1234.	1090	691293	Retainer-Brush
934	691058	Screw (Fan Retainer)	1024	693185	Pump-Oil	1091	●691516	Cap-Limiter
947	808624	Solenoid-Fuel	1025	690689	Spool-Governor	1095B	842723	Gasket Set-Valve (Used After Code Date 01120200). ----- Note ----- 808392 Gasket Set-Valve (Used Before Code Date 01120300).
949	690475	Guard-Debris Screen	1026	691758	Rod-Push (Aluminum) ----- Note ----- 691836 Rod-Push (Intake)(Steel)	1100	690973	Pivot-Rocker Arm
955	808176	Plug-Carburetor	1027	492932s	Filter-Oil (2 1/4" Long) (Used After Code Date 95020500). ----- Note ----- 491056 Filter-Oil (3 1/4" Long) (Used Before Code Date 95020600).	1113	690677	Screw (Panel)
955A	807723	Plug-Carburetor				1119	691552	Screw (Alternator)
967A	272490s	Filter-Pre Cleaner				1127	690885	Screw (Float Bowl)
968A	699959	Cover-Air Cleaner				1254	807084	Screw (Rocker Cover Stud) (Used After Code Date 01120200).
971B	691492	Screw (Air Cleaner Base to Carburetor)				1330	272144	Repair Manual
975	808179	Bowl-Float						
987	★△691000	Seal-Throttle Shaft (Used After Code Date 94123100). ----- Note ----- 808183 Seal-Throttle Shaft (Used Before Code Date 95010100).						

★ Included in Engine Gasket Set-Ref. No. 358.

● Included in Carburetor Overhaul Kit-Ref. No. 121D.

△ Included in Valve Gasket Set-Ref. No. 1095B.

Illustrations cover a range of engines. Parts shown without corresponding text may not be used on your specific engine.

0670-23

Assemblies include all parts shown in frames.

11/22/2005