

**32K400**

# Illustrated Parts List

## Model Series

# 32K400

TYPE NUMBER(S)

0112.

### TO FIND

### THE CORRECT NUMBER OF THE PART YOU NEED, FOLLOW THE INSTRUCTIONS BELOW:

- A. Refer to Engine Model, Type and Code Number that is stamped on the blower housing of engine. Engine type numbers such as 0123 01 are listed only as 0123 in most instances. The two digits (01 or 02, etc.) to the right of the space may be required for more accurate parts identification in some instances. Select the Illustrated Parts List covering the correct Model Series and Type Number.
- B. Refer to the Illustrations and compare the original part with Illustration. The number next to the illustration is the Reference Number. Assemblies include all parts shown in frames. All parts shown in assembly frames having individual reference numbers can be purchased separately.
- C. After the Reference Number has been identified, refer to the Numerical text, where Reference and Primary Part Number are listed. **THE PRIMARY PART IS USED ON ALL TYPE NUMBERS EXCEPT THOSE TYPE NUMBERS UNDER "NOTE"**.
- D. If a "Note" appears below the Primary Part Number, it means that this part differs from the Primary Part for certain types. If your Type number is listed under "Note", order the part referred to at the "Note".
- E. If your Engine Type Number does not appear after any part number listed under "Note", use the Primary Part Number.
- F. For Engine Type Numbers not covered by this book, check other Parts Lists having the same engine model or contact your source of supply.

PRINTED IN U.S.A.

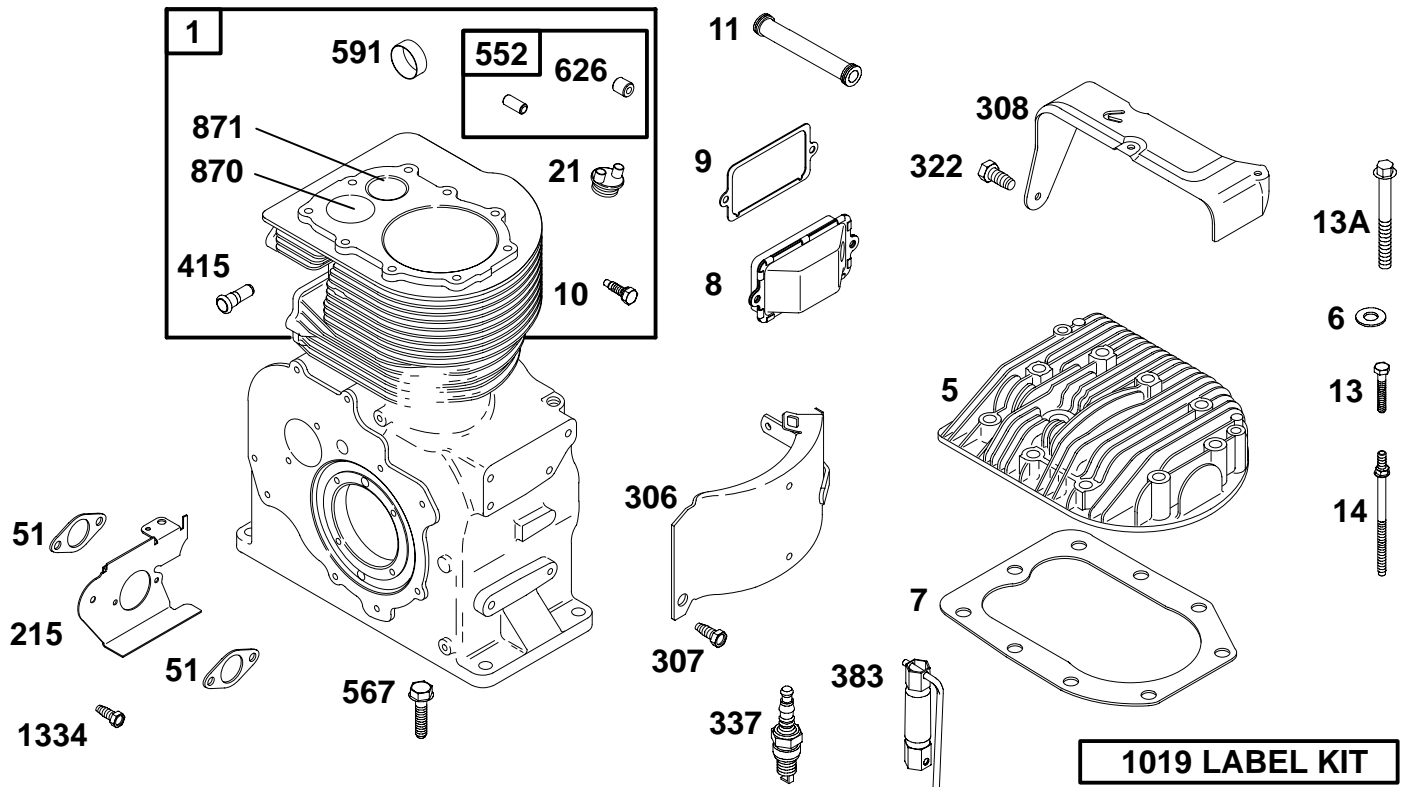


**BRIGGS & STRATTON**

®

COPYRIGHT by BRIGGS & STRATTON CORPORATION  
All rights reserved. No part of this material may be reproduced or transmitted, in any form or by any means, electronic or mechanical, including photocopying, recording or by any information storage and retrieval system, without permission in writing from Briggs & Stratton Corporation.

# 32K400

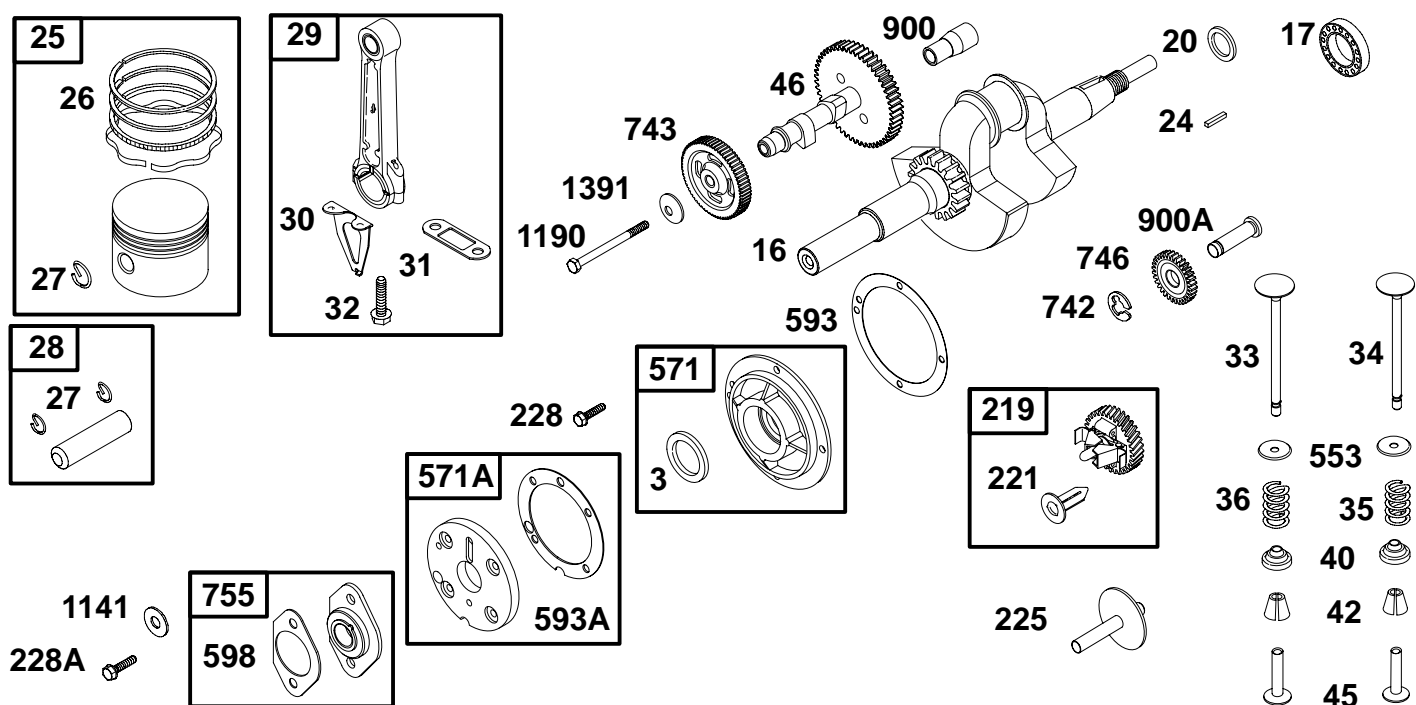


REF. NO.	PART NO.	DESCRIPTION	REF. NO.	PART NO.	DESCRIPTION	REF. NO.	PART NO.	DESCRIPTION
1	395663	Cylinder Assembly	14	691690	Stud (Cylinder Head)	870	691583	Seat-Valve (Exhaust)
5	691712	Head-Cylinder	21	281658	Cap-Oil Fill	871	231218	Bushing-Guide
6	225137	Washer (Cylinder Head)	51	★Ø27381	Gasket-Intake	1019	491258	Kit-Label
7	★Ø692231	Gasket-Cylinder Head	215	291871	Guide-Air	1334	692198	Screw (Air Guide)
8	495738	Breather Assembly	306	299536	Shield-Cylinder			
9	★Ø27803	Gasket-Breather	307	690294	Screw (Cylinder-Shield)			
10	690294	Screw (Breather Assembly)	308	691731	Cover-Cylinder			
11	691512	Tube-Breather	322	692198	Screw (Cylinder Cover)			
13	691614	Screw (Cylinder Head) (1 3/4" Long)	337	802592	Plug-Spark			
		<b>Note</b>	383	89838	Wrench-Spark Plug			
		691640 Screw (Cylinder Head) (2 1/16" Long)	415	692882	Plug			
13A	691441	Screw (Cylinder Head) (2 7/16" Long)	552	393666	Bushing-Governor Crank			
			567	691104	Screw (Engine Base)			
			591	691746	Plug-Camshaft			
			626	690512	Spacer-Governor Crank			

★ Engine Gasket Set-Reference 358  
● Carburetor Overhaul Kit-Reference 121

Ø Valve Gasket Set-Reference 1095

# 32K400

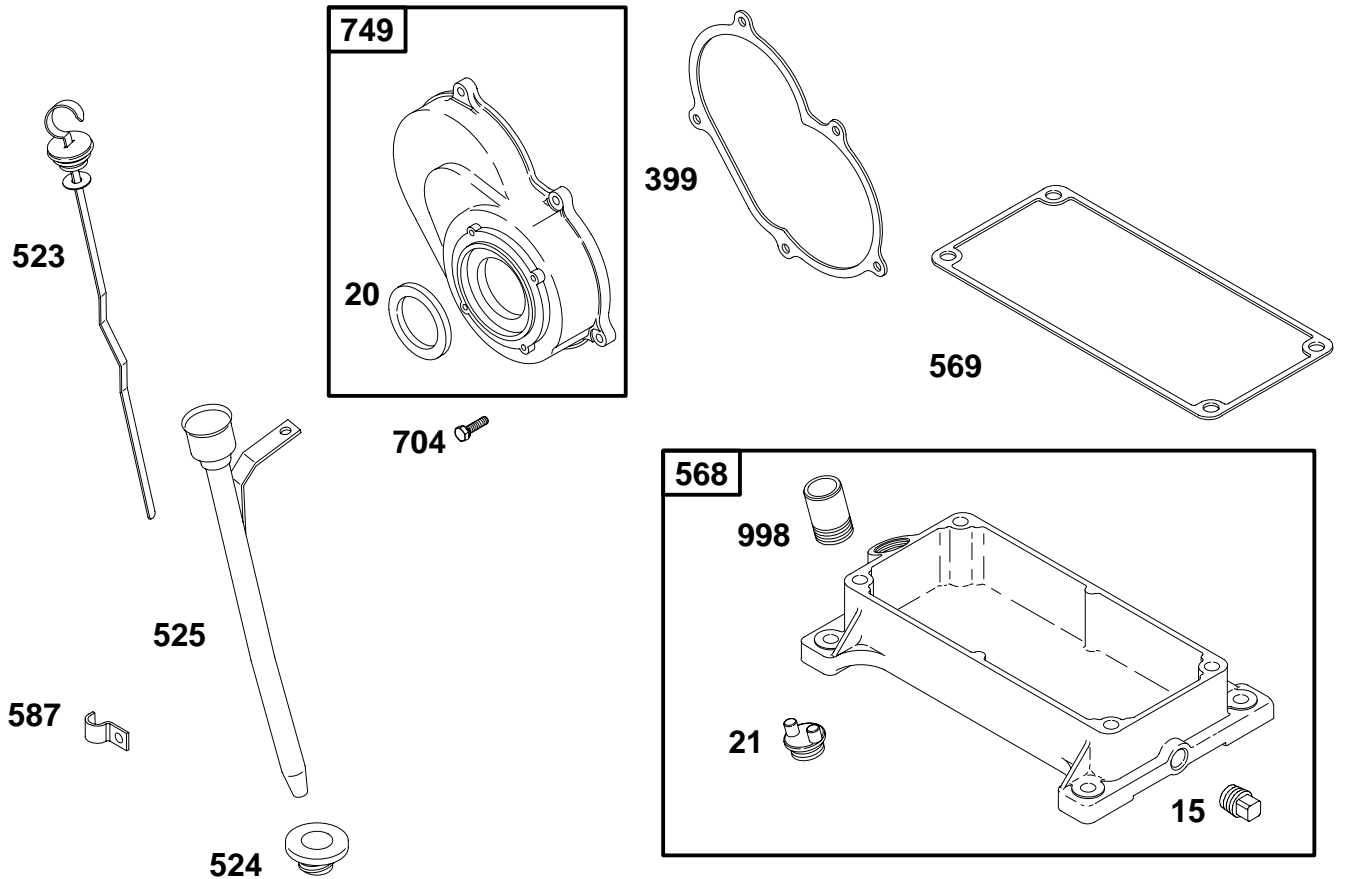


REF. NO.	PART NO.	DESCRIPTION	REF. NO.	PART NO.	DESCRIPTION	REF. NO.	PART NO.	DESCRIPTION
	<b>3</b>	<b>★291675</b> Seal–Oil (Magneto Side)		<b>30</b>	<b>691726</b> Dipper–Connecting Rod		<b>593A</b>	<b>★270513</b> Gasket–Bearing Support (.015" Thick)
	<b>16</b>	<b>690536</b> Crankshaft		<b>31</b>	<b>690396</b> Lock–Rod Screw			----- <b>Note</b> -----
	<b>17</b>	<b>691938</b> Bearing–Ball		<b>32</b>	<b>692345</b> Screw (Connecting Rod)			<b>★270514</b> Gasket–Bearing Support (.010" Thick)
	<b>20</b>	<b>★691948</b> Seal–Oil (PTO Side)		<b>33</b>	<b>394436</b> Valve–Exhaust			<b>★270515</b> Gasket–Bearing Support (.005" Thick)
	<b>24</b>	<b>222698</b> Key–Flywheel		<b>34</b>	<b>394435</b> Valve–Intake			----- <b>Note</b> -----
	<b>25</b>	<b>390364</b> Piston Assembly (Standard)		<b>35</b>	<b>691597</b> Spring–Valve (Intake)			<b>★270516</b> Shim–End Play (.009" Thick)
		----- <b>Note</b> -----		<b>36</b>	<b>691597</b> Spring–Valve (Exhaust)		<b>598</b>	<b>★270517</b> Shim–End Play (.007" Thick)
		<b>390366</b> Piston Assembly (.020" Oversize)		<b>40</b>	<b>691939</b> Retainer–Valve			<b>★270518</b> Shim–End Play (.005" Thick)
	<b>26</b>	<b>390484</b> Ring Set (Standard)		<b>42</b>	<b>494553</b> Keeper–Valve		<b>742</b>	<b>691080</b> Retainer–Governor Shaft
		----- <b>Note</b> -----		<b>45</b>	<b>691594</b> Tappet–Valve		<b>743</b>	<b>691153</b> Gear–Drive
		<b>390505</b> Ring Set (.020" Oversize)		<b>46</b>	<b>692855</b> Camshaft		<b>746</b>	<b>691803</b> Idler–Gear
	<b>27</b>	<b>691792</b> Lock–Piston Pin		<b>219</b>	<b>393720</b> Gear–Governor		<b>755</b>	<b>299706</b> Bearing–Camshaft
	<b>28</b>	<b>299691</b> Pin–Piston (Standard)		<b>221</b>	<b>841026</b> Cup–Governor		<b>900</b>	<b>691768</b> Shaft–Gear
		----- <b>Note</b> -----		<b>225</b>	<b>691357</b> Shaft–Governor Gear		<b>900A</b>	<b>691767</b> Shaft–Gear
		<b>391286</b> Pin–Piston (.005" Oversize)		<b>228</b>	<b>691058</b> Screw (Support Bearing)		<b>1141</b>	<b>690402</b> Washer (Bearing Support)
	<b>29</b>	<b>299632</b> Rod–Connecting (Standard)		<b>228A</b>	<b>690810</b> Screw (Support Bearing)		<b>1190</b>	<b>691081</b> Screw (Drive Gear)
		----- <b>Note</b> -----		<b>553</b>	<b>690269</b> Retainer–Valve Spring		<b>1391</b>	<b>690301</b> Washer (Drive Gear)
		<b>390306</b> Rod–Connecting (.020" Undersize)		<b>571</b>	<b>291665</b> Support–Bearing			
				<b>571A</b>	<b>299705</b> Support–Bearing (Magneto Side)			
				<b>593</b>	<b>★691311</b> Gasket–Bearing Support			

★ Engine Gasket Set–Reference 358  
 ● Carburetor Overhaul Kit–Reference 121

∅ Valve Gasket Set–Reference 1095

# 32K400

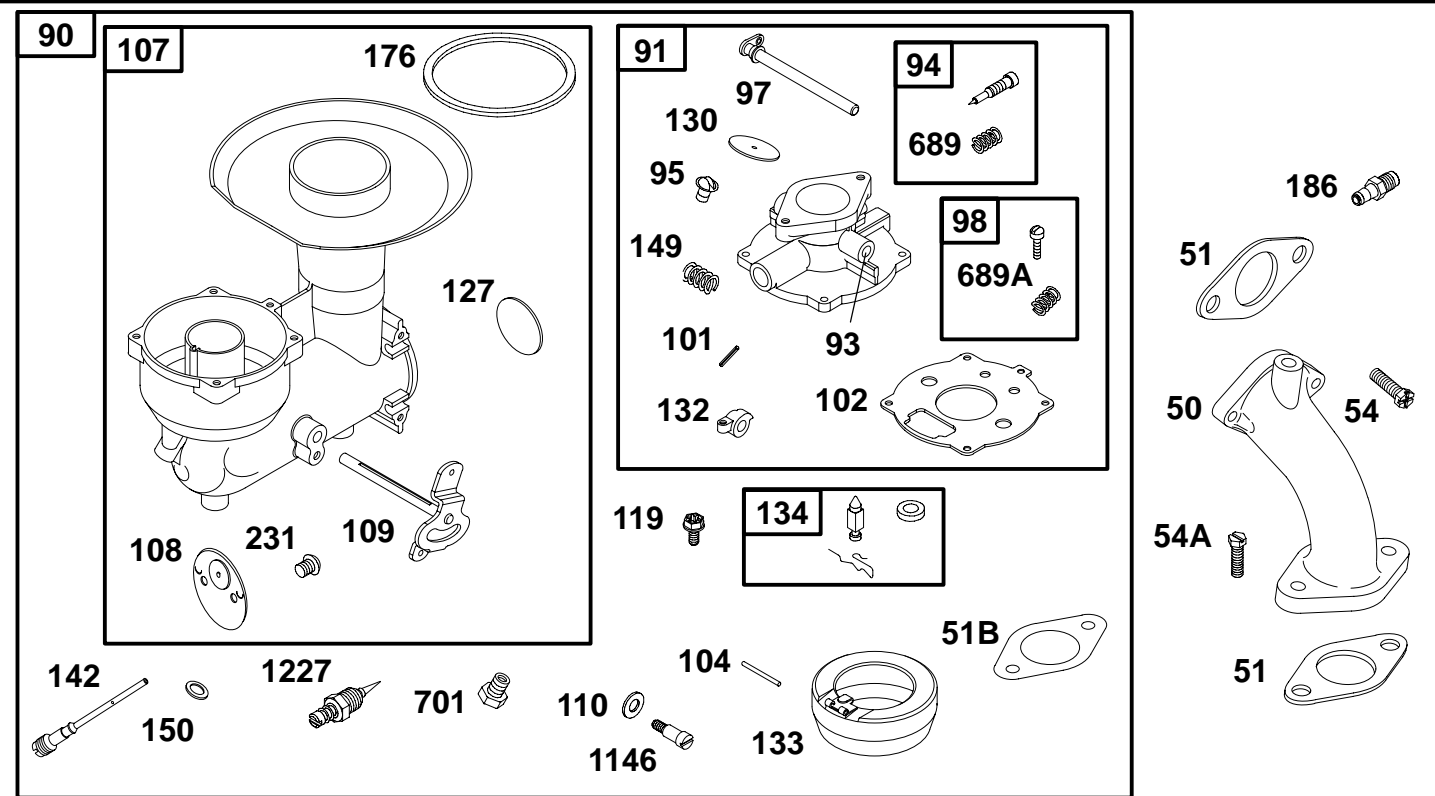


REF. NO.	PART NO.	DESCRIPTION	REF. NO.	PART NO.	DESCRIPTION	REF. NO.	PART NO.	DESCRIPTION
15	690946	Plug-Oil Drain	523	691352	Dipstick	704	691083	Screw
20	★691948	Seal-Oil (PTO Side)	524	★281370	Seal-Dipstick Tube			(Counterweight Cover)
21	281658	Cap-Oil Fill	525	690622	Tube-Dipstick	749	391361	Cover-Counterweight
399	★691310	Gasket-Gear Reduction Cover	568	294751	Base-Engine	998	690502	Pipe-Oil
			569	★691569	Gasket-Engine Base			
			587	690389	Clamp-Cable			

★ Engine Gasket Set-Reference 358  
 ● Carburetor Overhaul Kit-Reference 121

∅ Valve Gasket Set-Reference 1095

**32K400**

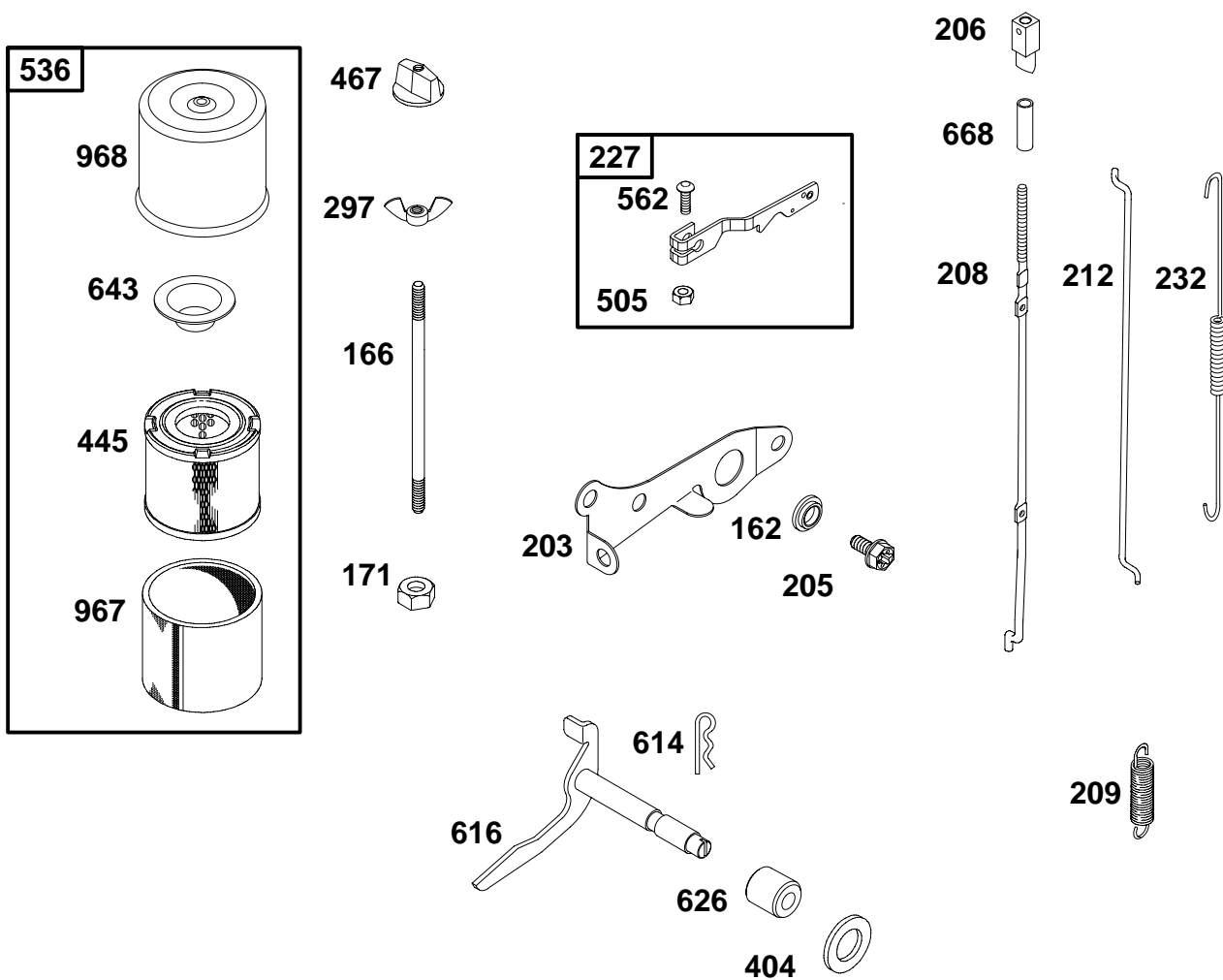


REF. NO.	PART NO.	DESCRIPTION	REF. NO.	PART NO.	DESCRIPTION	REF. NO.	PART NO.	DESCRIPTION
50	691152	Manifold-Intake	102	692215	Gasket-Carburetor Body	134	394682	Kit-Needle/Seat
51	27381	Gasket-Intake	104	691775	Pin-Float Hinge	142	691966	Nozzle-Carburetor
51B	692214	Gasket-Intake (Carburetor)	107	391069	Body-Lower Carburetor	149	691592	Spring-Needle Valve
54	690953	Screw (Intake Manifold)	108	690621	Valve-Choke	150	691610	Gasket-Nozzle
54A	691681	Screw (Intake Manifold)	109	691353	Shaft-Choke	176	691929	Seal-O Ring (Air Cleaner Base)
90	391065	Carburetor	110	691186	Washer (Choke Shaft)	186	691764	Connector-Hose
91	391067	Body Assembly-Upper	119	691587	Screw (Upper to Lower Carburetor Body)	231	691437	Screw (Choke Valve)
93	691769	Bushing-Throttle Shaft	127	690627	Plug-Welch	689	691590	Spring-Friction
94	292681	Kit-Idle Mixture	130	691727	Valve-Throttle	689A	691591	Spring-Friction
95	691437	Screw (Throttle Valve)	132	691708	Stop-Throttle	701	23118	Retainer-Needle Valve
97	691944	Shaft-Throttle	133	692265	Float-Carburetor	1146	691587	Screw (Choke Shaft)
98	693942	Kit-Idle Speed				1227	99525	Valve-High Speed
101	691616	Pin-Shaft						

★ Engine Gasket Set-Reference 358  
● Carburetor Overhaul Kit-Reference 121

∅ Valve Gasket Set-Reference 1095

# 32K400

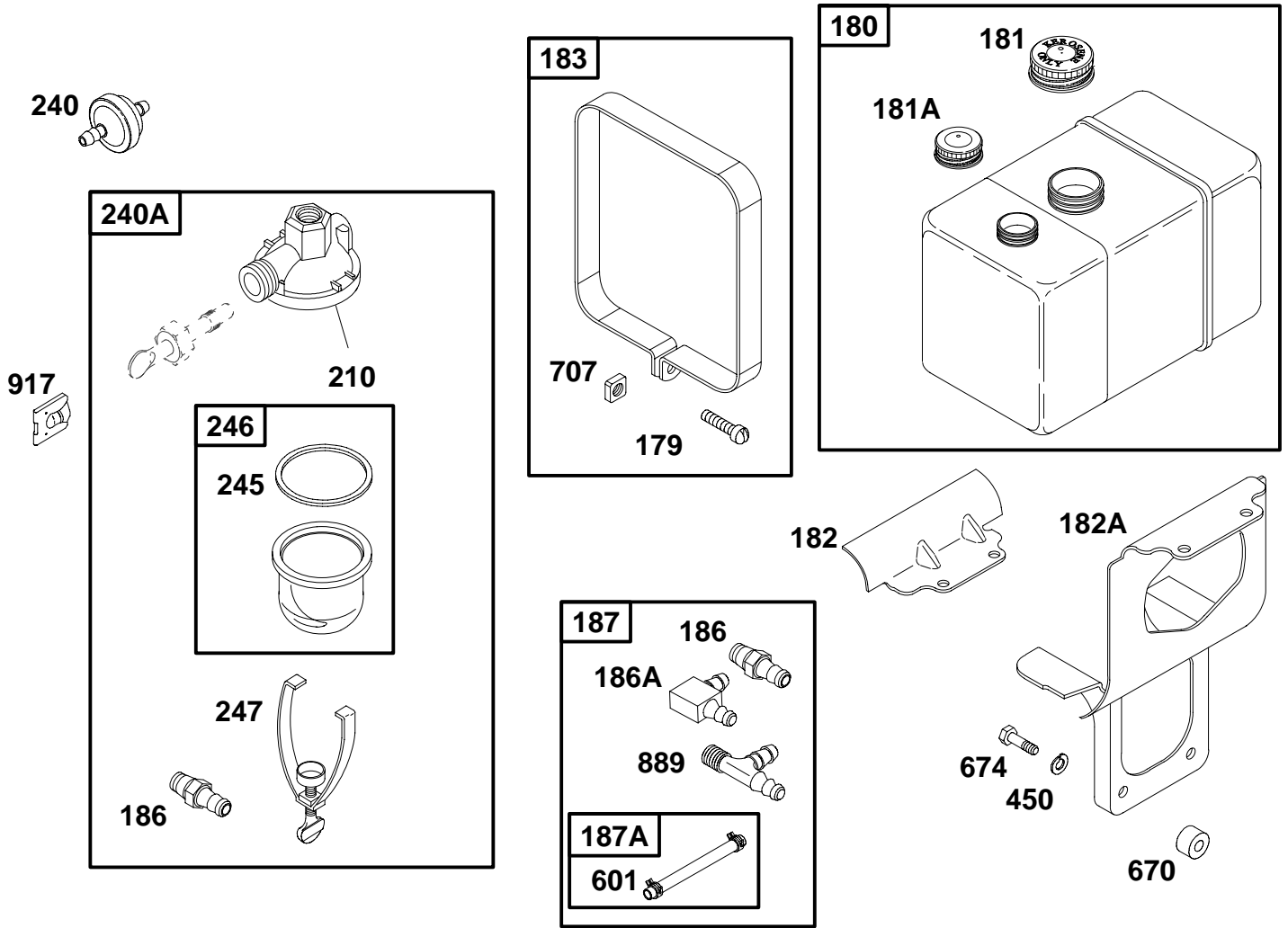


REF. NO.	PART NO.	DESCRIPTION	REF. NO.	PART NO.	DESCRIPTION	REF. NO.	PART NO.	DESCRIPTION
162	690267	Collar-Bell Crank	227	690607	Lever-Governor Control	614	691620	Pin-Cotter
166	691241	Stud (Air Cleaner) (9 1/2" Long)	232	690545	Spring-Governor Link	616	291364	Crank-Governor
171	690284	Nut (Air Cleaner)	297	691331	Nut (Air Filter Retainer)	626	690512	Spacer-Governor Crank
203	690263	Crank-Bell	404	690264	Washer (Governor Crank)	643	691730	Retainer-Air Filter
205	690810	Screw (Bell Crank)	445	393957	Filter-Air	668	690313	Spacer (Governor Control Rod)
206	691584	Nut-Governor Adjusting	467	691668	Knob-Air Cleaner	967	271794	Filter-Pre Cleaner
208	393613	Rod-Governor Control	505	691251	Nut (Governor Control Lever)	968	691755	Cover-Air Cleaner
209	691596	Spring-Governor	536	391063	Cleaner-Air			
212	691791	Link-Throttle	562	691119	Bolt (Governor Control Lever)			

★ Engine Gasket Set-Reference 358  
 ● Carburetor Overhaul Kit-Reference 121

∅ Valve Gasket Set-Reference 1095

**32K400**

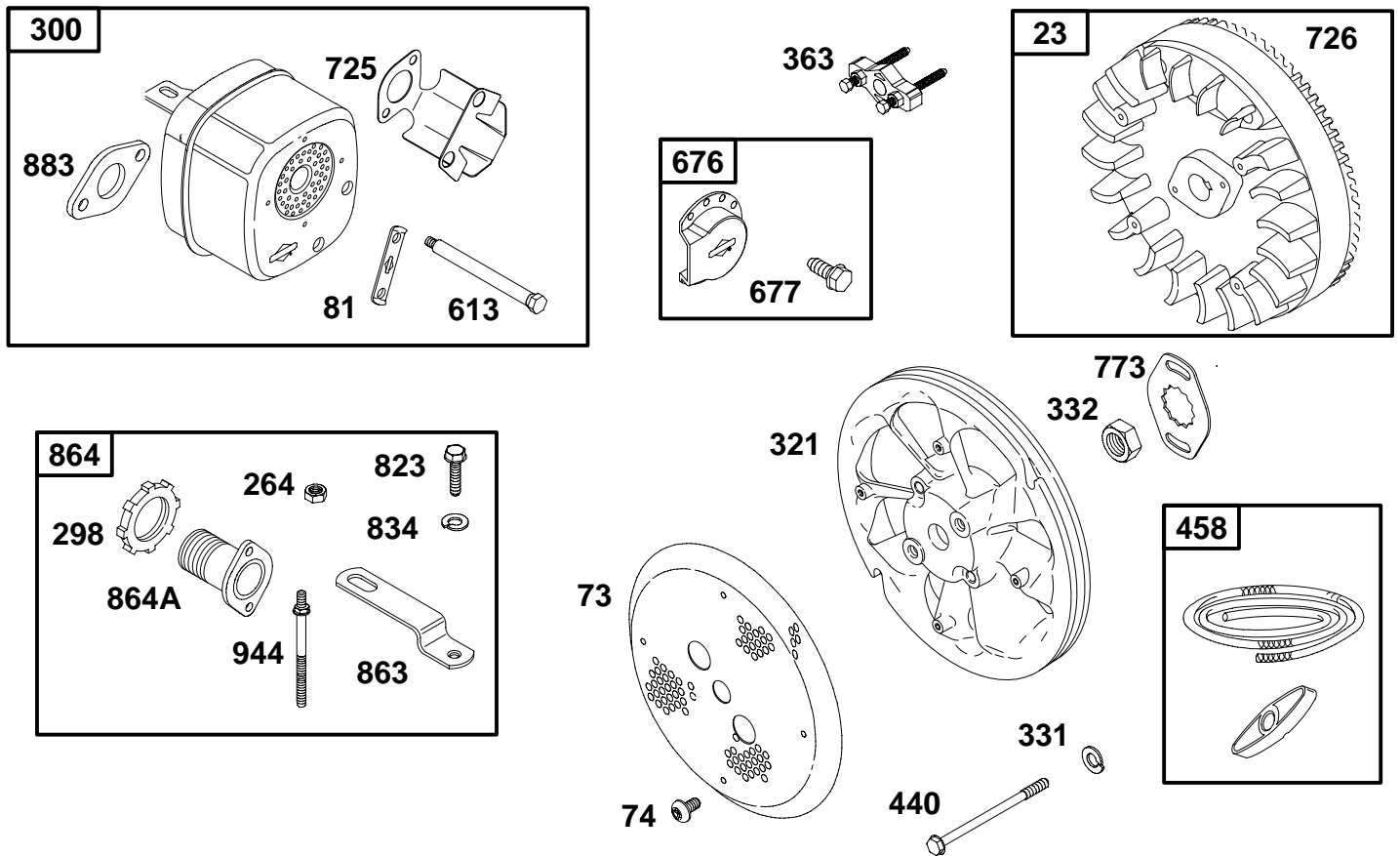


REF. NO.	PART NO.	DESCRIPTION	REF. NO.	PART NO.	DESCRIPTION	REF. NO.	PART NO.	DESCRIPTION
179	690280	Screw (Fuel Tank Strap)	210	691962	Screen-Filter	707	690279	Nut (Fuel Tank Strap)
180	392911	Tank-Fuel	240	298090	Filter-Fuel	889	93915	Tee
181	392887	Cap-Fuel Tank (Large) (Kerosene Only)	240A	690612	Filter-Fuel	917	691737	Valve-Handle Shutoff
181A	392886	Cap-Fuel Tank (Small) (Gas Only)	245	★692190	Gasket-Fuel Bowl			
182	691068	Bracket-Fuel Tank	246	298683	Bowl-Fuel Filter			
182A	690262	Bracket-Fuel Tank	247	691700	Yoke-Bowl			
183	691937	Strap-Fuel Tank	450	691075	Washer (Fuel Tank Bracket)			
186	691764	Connector-Hose	601	95162	Clamp-Hose			
186A	691609	Connector-Hose	670	690505	Spacer-Fuel Tank			
187	394308	Line-Fuel	674	690303	Screw (Fuel Tank Bracket)			
187A	296004	Line-Fuel (Cut to Required Length)						

★ Engine Gasket Set-Reference 358  
● Carburetor Overhaul Kit-Reference 121

∅ Valve Gasket Set-Reference 1095

# 32K400



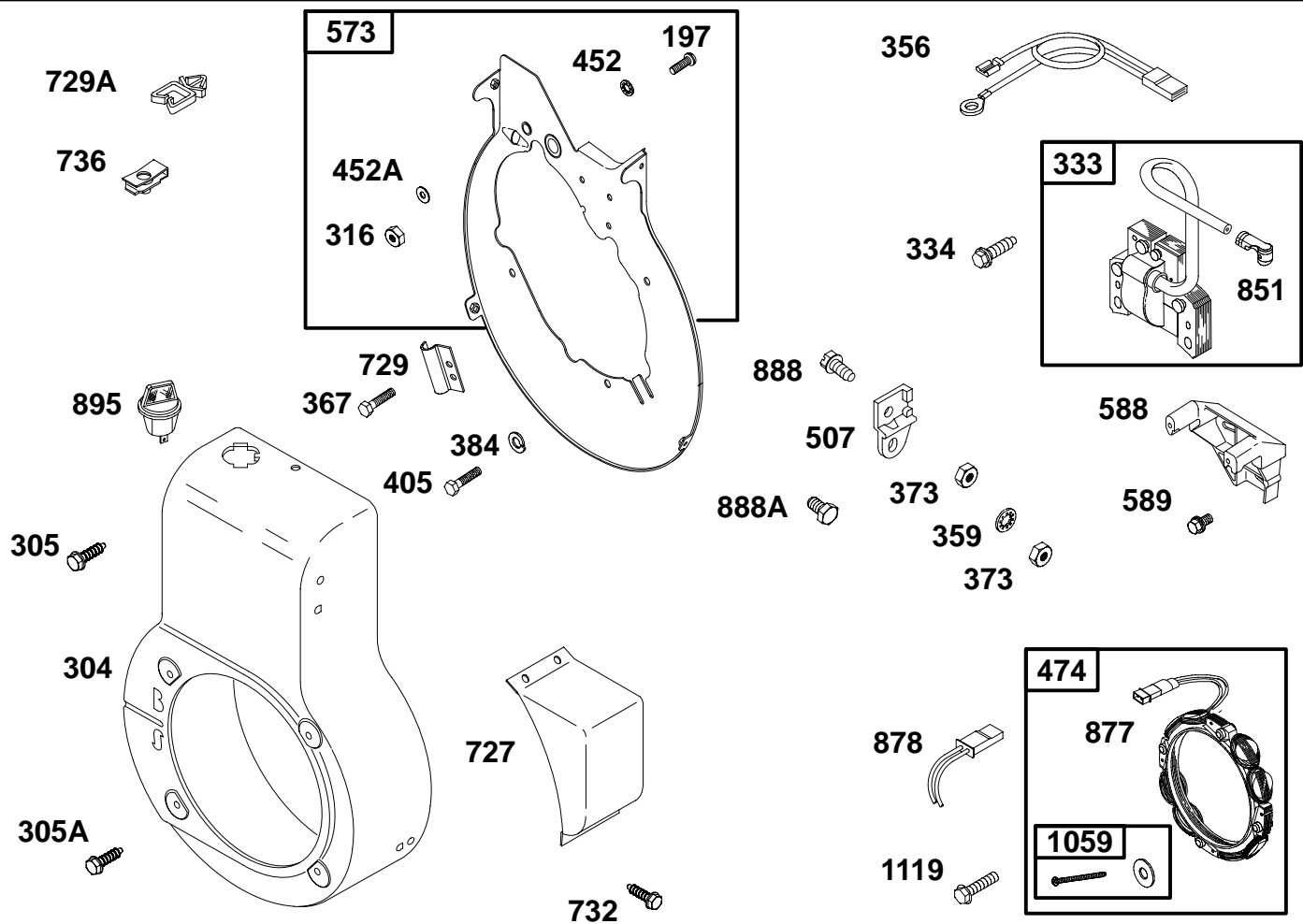
REF. NO.	PART NO.	DESCRIPTION	REF. NO.	PART NO.	DESCRIPTION	REF. NO.	PART NO.	DESCRIPTION
23	395251	Flywheel (Magnetron)	331	691075	Washer (Booster Fan)	725	690420	Shield-Heat
		----- <b>Note</b> -----	332	691059	Nut (Flywheel)	726	391362	Gear-Ring
		391363 Flywheel	363	19203	Puller-Flywheel	773	690265	Retainer
73	691171	Screen-Rotating	440	691076	Screw (Booster Fan)	823	691108	Screw (Muffler Adapter)
74	691655	Screw (Rotating Screen)	458	69932	Kit-Rope/Handle	834	691075	Washer (Muffler Adapter)
81	691178	Lock-Muffler Screw	613	691416	Screw (Muffler)	863	694016	Bracket-Muffler
264	691105	Nut (Muffler Adapter)	676	393761	Deflector-Muffler	864	394584	Adapter-Muffler
298	691808	Locknut-Muffler	677	690661	Screw (Deflector)	864A	690637	Adapter-Muffler
300	399635	Muffler				883	★692236	Gasket-Exhaust
321	691151	Fan-Booster				944	691690	Stud (Muffler Adapter)

★ Engine Gasket Set-Reference 358  
● Carburetor Overhaul Kit-Reference 121

∅ Valve Gasket Set-Reference 1095



**32K400**

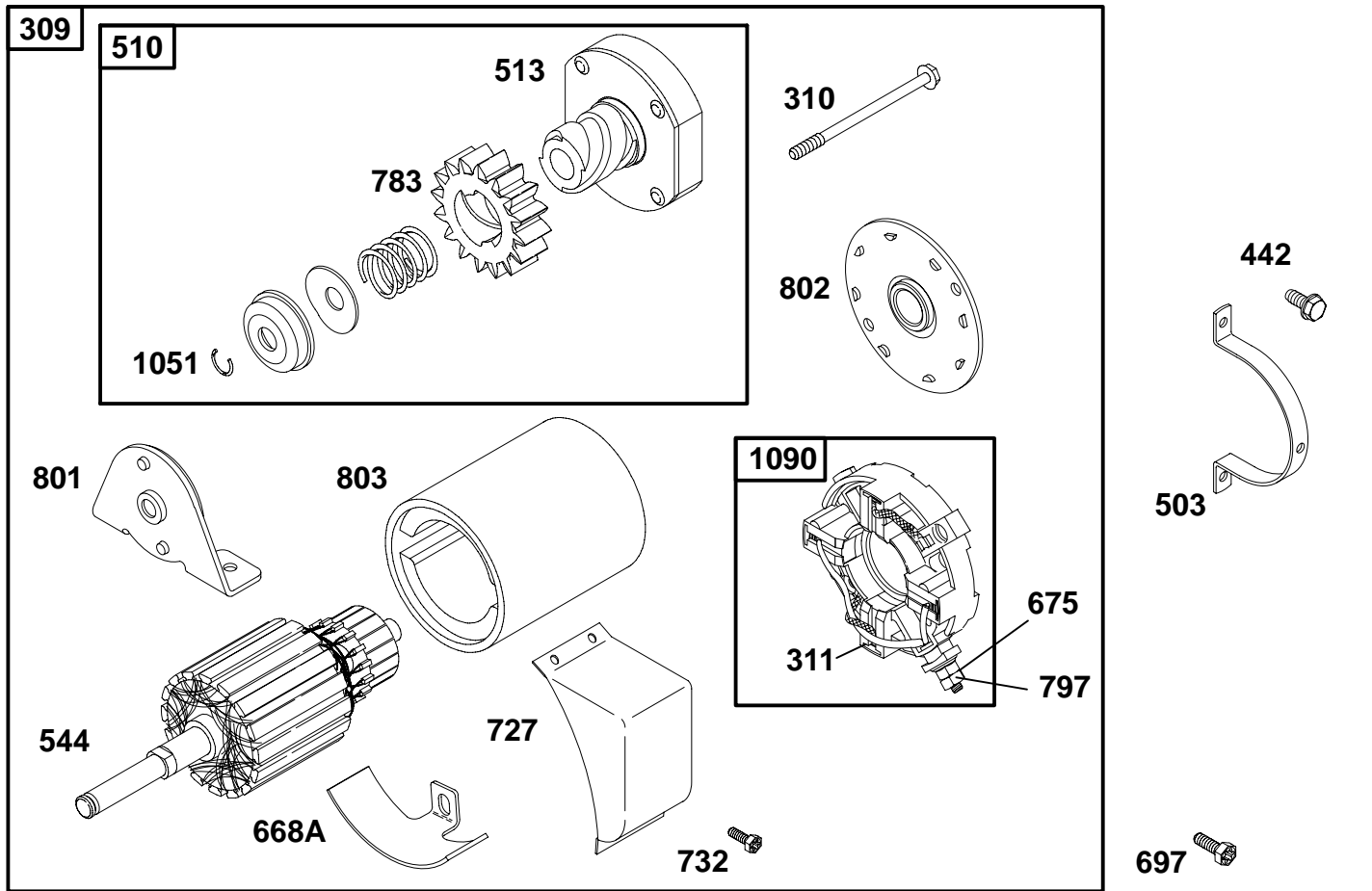


REF. NO.	PART NO.	DESCRIPTION	REF. NO.	PART NO.	DESCRIPTION	REF. NO.	PART NO.	DESCRIPTION
197	90072	Screw (Back Plate) (5/8" Long)	384	690371	Washer (Back Plate)	732	93410	Screw (Starter Drive Cover)
304	391229	Housing-Blower	405	690290	Screw (Back Plate)	736	690302	Nut-Clip
305	690297	Screw (Blower Housing) (7/16" Long)	452	92864	Washer (Back Plate) (Lockwasher)	851	493880	Terminal-Cable
305A	690290	Screw (Blower Housing) (1/2" Long)	452A	26404	Washer (Back Plate) (Flat)	877	393456	Wire-Alternator (Dual Circuit)
316	691612	Nut (Back Plate)	474	696459	Alternator (Dual Circuit)	878	691237	Harness-Alternator (Dual Circuit)
333	398811	Armature-Magneto	507	690584	Insulator	888	690292	Screw (Insulator) (1/2" Long)
334	691061	Screw (Armature)	573	391220	Plate-Back	888A	690295	Screw (Insulator) (3/8" Long)
356	690650	Wire-Stop	588	690375	Bracket-Armature	895	692309	Switch-Rotary
359	691077	Washer (Insulator)	589	690300	Screw (Armature Bracket)	1059	698516	Kit-Screw/Washer (Alternator)
367	690305	Screw (Clip Wire)	727	692338	Cover-Starter Drive	1119	691183	Screw (Alternator)
379	691612	Nut (Insulator)	729	690432	Clip-Wire (Alternator)			
			729A	690588	Clip-Wire			

★ Engine Gasket Set-Reference 358  
● Carburetor Overhaul Kit-Reference 121

∅ Valve Gasket Set-Reference 1095

# 32K400

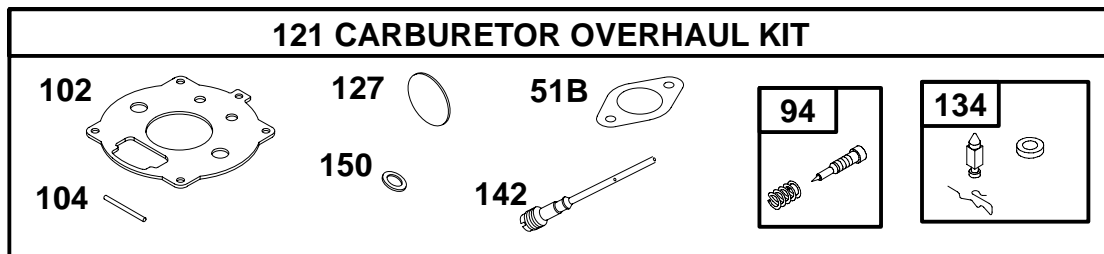
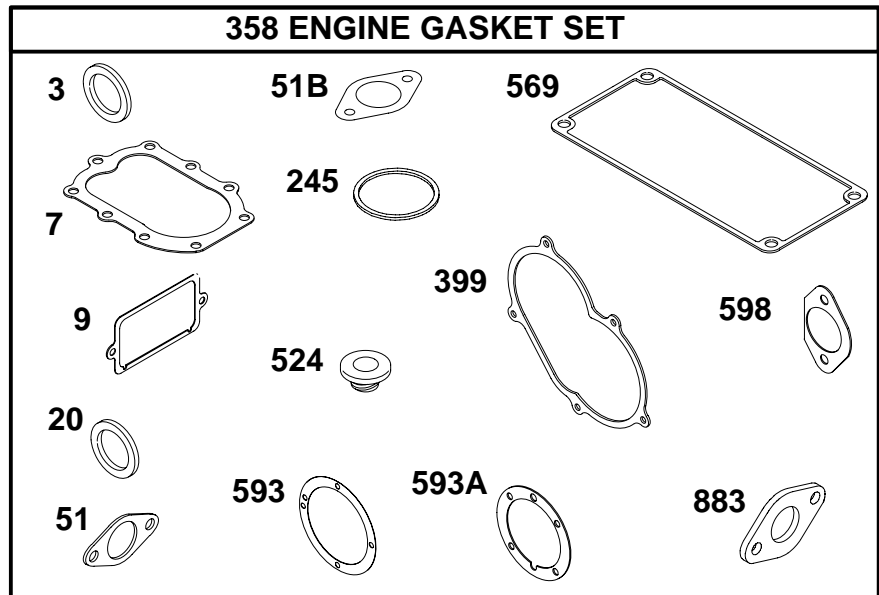
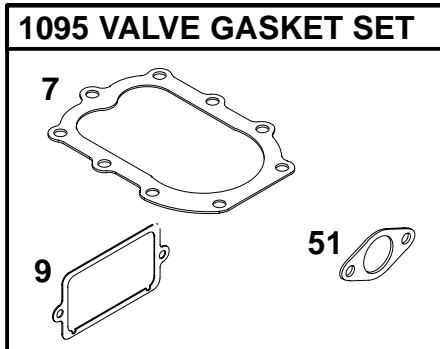


REF. NO.	PART NO.	DESCRIPTION	REF. NO.	PART NO.	DESCRIPTION	REF. NO.	PART NO.	DESCRIPTION
309	396306	Motor-Starter	668A	396515	Spacer (Starter Motor)	801	394802	Cap-Drive
310	692329	Bolt (Starter Motor)	675	691261	Washer (Brush Retainer)	802	691286	Cap-End
311	497608	Brush Set	697	691058	Screw (Starter Motor)	803		Housing-Starter (Serviced By 396306 Starter Motor Only)
442	691693	Screw (Starter Strap)	727	692338	Cover-Starter Drive	1051	691265	Ring-Retaining
503	690406	Strap-Starter	732	93410	Screw (Starter Drive Cover)	1090	691293	Retainer-Brush
510	696541	Drive-Starter	783	695708	Gear-Starter			
513	692024	Clutch-Drive	797	691029	Nut (Brush Retainer)			
544	490309	Armature-Starter						

★ Engine Gasket Set-Reference 358  
● Carburetor Overhaul Kit-Reference 121

∅ Valve Gasket Set-Reference 1095

**32K400**



REF. NO.	PART NO.	DESCRIPTION	REF. NO.	PART NO.	DESCRIPTION	REF. NO.	PART NO.	DESCRIPTION
3	291675	Seal-Oil (Magneto Side)	245	692190	Gasket-Fuel Bowl	593	691311	Gasket-Bearing Support
7	692231	Gasket-Cylinder Head	358	299719	Gasket Set-Engine	593A	270513	Gasket-Bearing Support (.015" Thick)
9	27803	Gasket-Breather	399	691310	Gasket-Counterweight Cover			<b>Note</b>
20	691948	Seal-Oil (PTO Side)	524	281370	Seal-Dipstick Tube			★270514 Gasket-Bearing Support (.010" Thick)
51	27381	Gasket-Intake	569	691569	Gasket-Engine Base			★270515 Gasket-Bearing Support (.005" Thick)
51B	692214	Gasket-Intake				598	270516	Shim-End Play (.009" Thick)
94	292681	Kit-Idle Mixture						<b>Note</b>
102	692215	Gasket-Carburetor Body						★270517 Shim (.007" Thick)
104	691775	Pin-Float Hinge						★270518 Shim (.005" Thick)
121	394989	Kit-Carburetor Overhaul				883	692236	Gasket-Exhaust
127	690627	Plug-Welch				1095	498540	Gasket Set-Valve
134	394682	Kit-Needle/Seat						
142	691966	Nozzle-Carburetor						

★ Engine Gasket Set-Reference 358  
● Carburetor Overhaul Kit-Reference 121

∅ Valve Gasket Set-Reference 1095