



31P700

Illustrated Parts List

Model Series

31P700

TYPE NUMBERS
0115 Through 0602.

TABLE OF CONTENTS

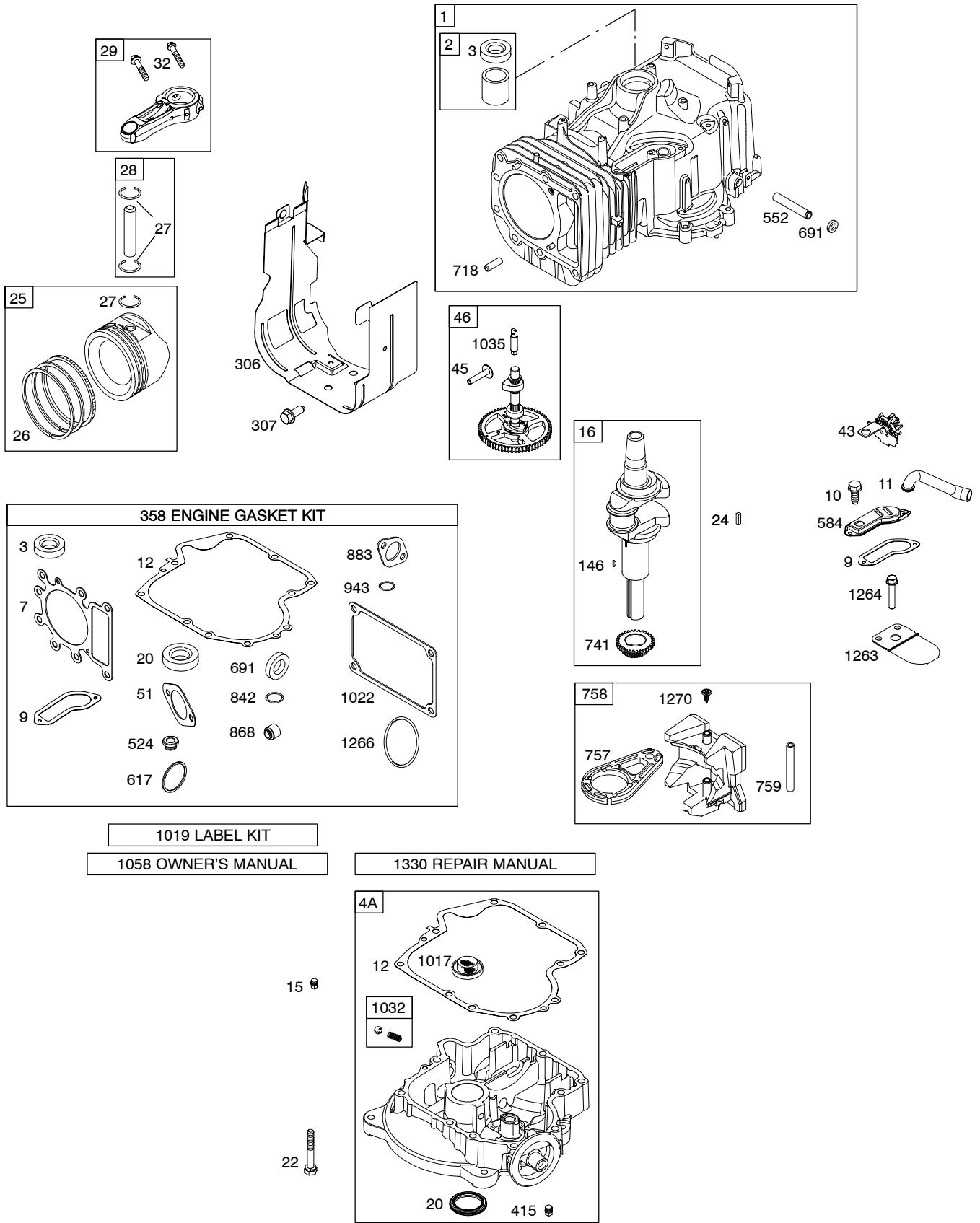
- Air Cleaner 5
- Alternator 7
- Blower Housing 5
- Camshaft 2
- Carburetor 4
- Controls 7
- Crankshaft 2
- Cylinder 2
- Cylinder Head 3
- Electric Starter 7
- Engine Sump 2
- Exhaust System 5
- Flywheel 6
- Fuel Supply 4
- Gasket Set-Engine 2
- Gasket Set-Valve 3
- Governor Spring 7
- Ignition 7
- Intake Manifold 3
- Kit-Carburetor Overhaul 4
- Lubrication 3
- Piston, Rings, and Connecting Rod ... 2
- Valves 3

PRINTED IN U.S.A.

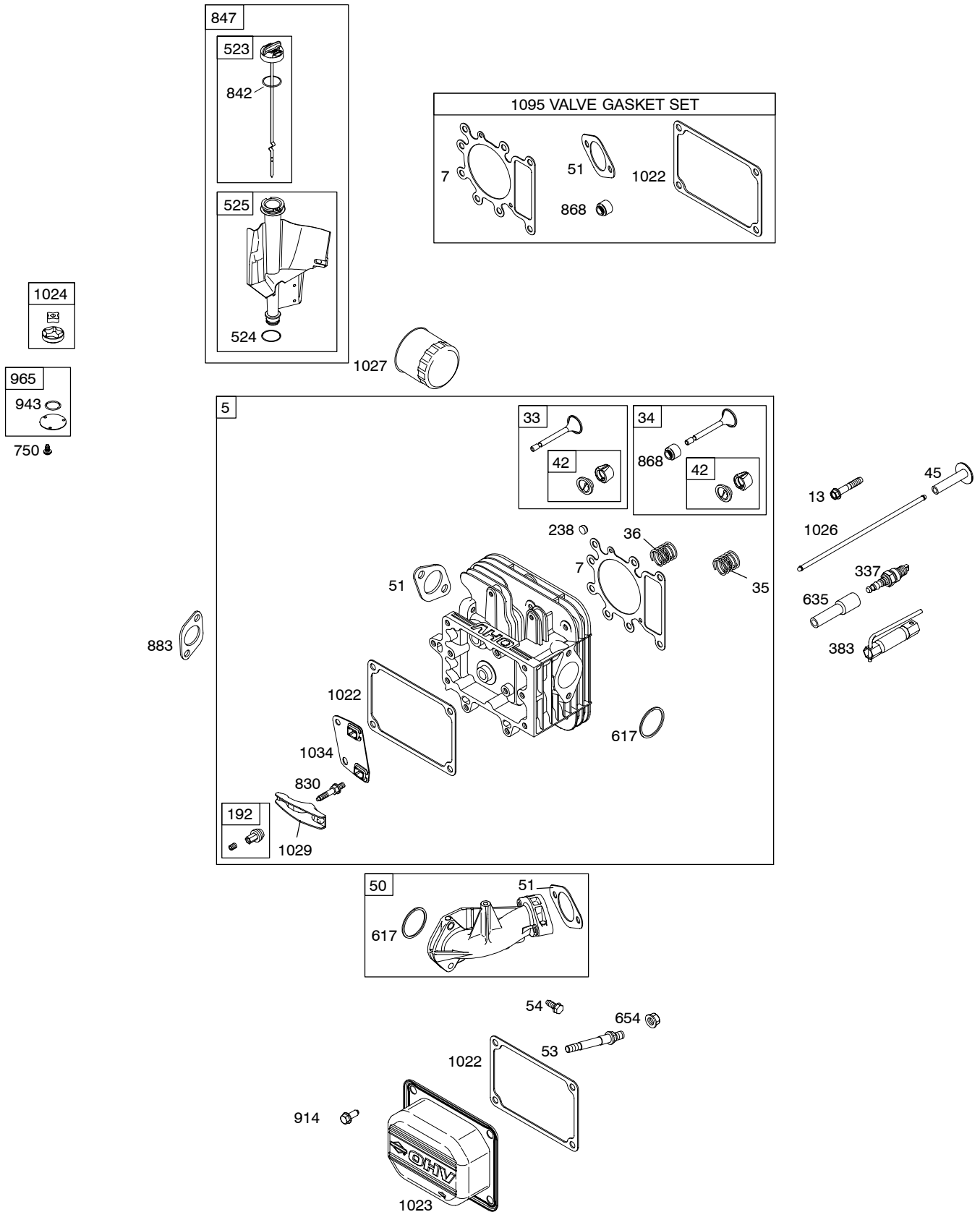


COPYRIGHT by BRIGGS & STRATTON CORPORATION
All rights reserved. No part of this material may be reproduced or transmitted, in any form or by any means, electronic or mechanical, including photocopying, recording or by any information storage and retrieval system, without permission in writing from Briggs & Stratton Corporation.

31P700

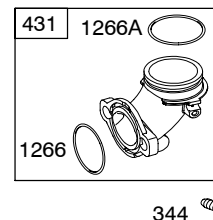
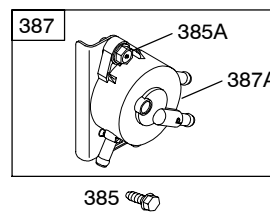
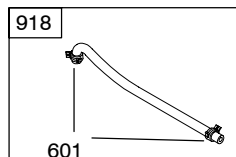
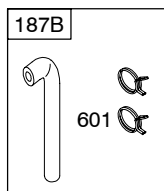
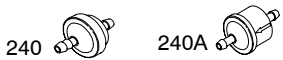
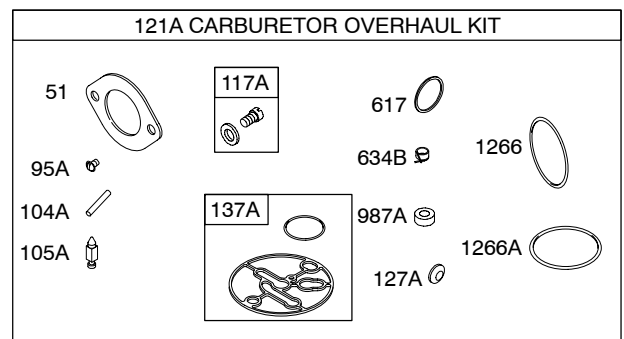
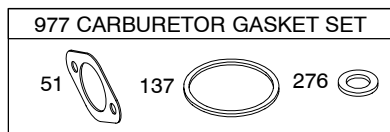
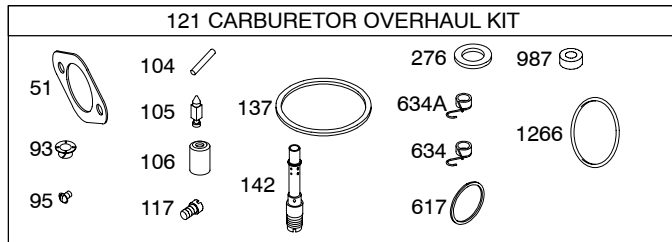
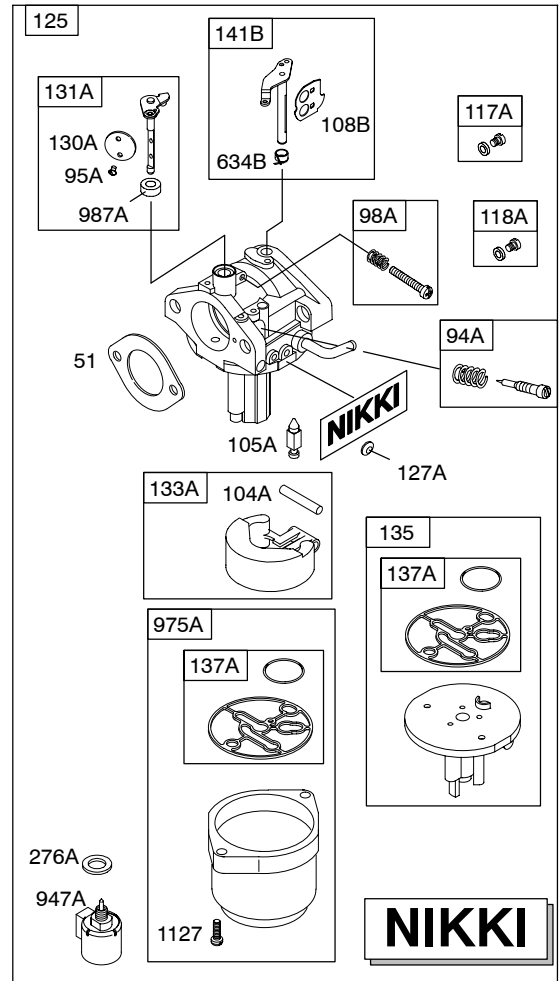
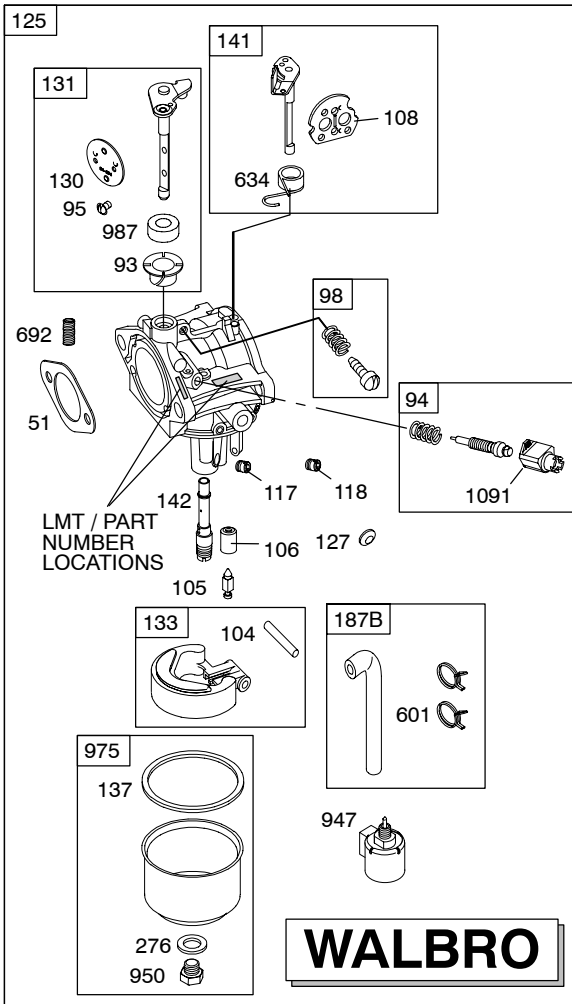
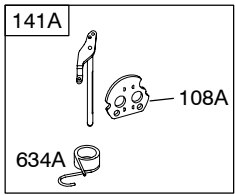


Illustrations cover a range of engines. Parts shown without corresponding text may not be used on your specific engine.

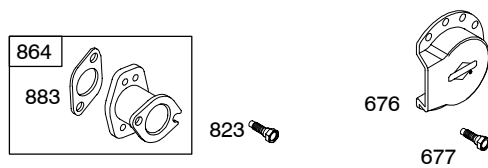
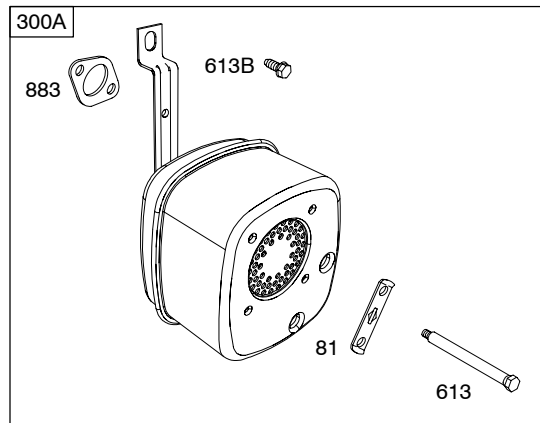
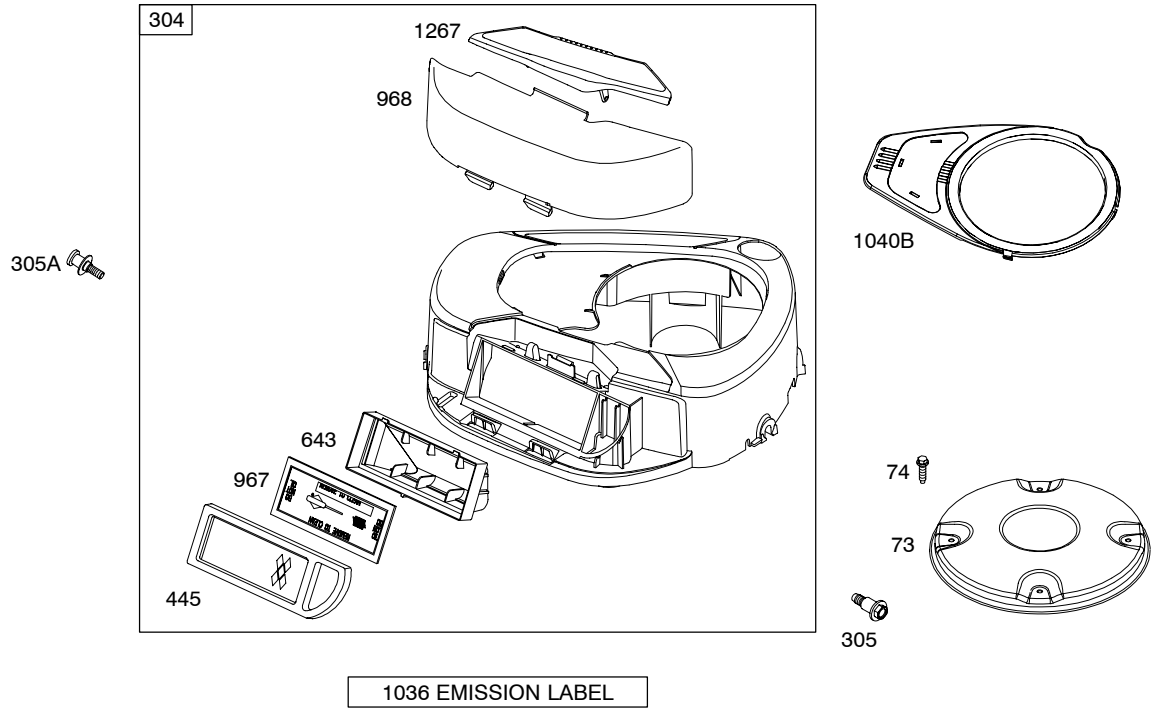


Illustrations cover a range of engines. Parts shown without corresponding text may not be used on your specific engine.
 5766-3 Assemblies include all parts shown in frames. 10/31/2005

31P700

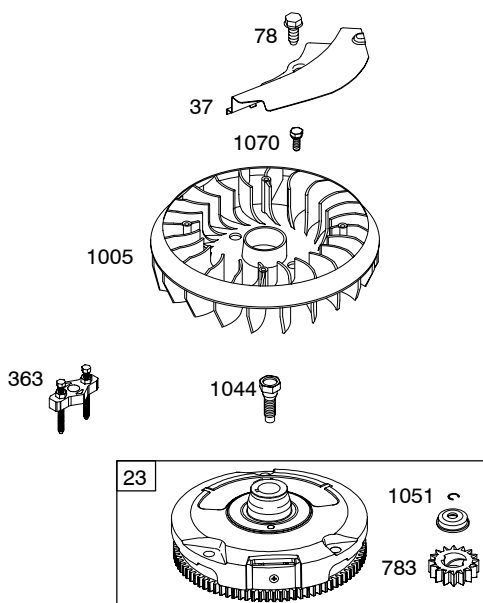


Illustrations cover a range of engines. Parts shown without corresponding text may not be used on your specific engine.

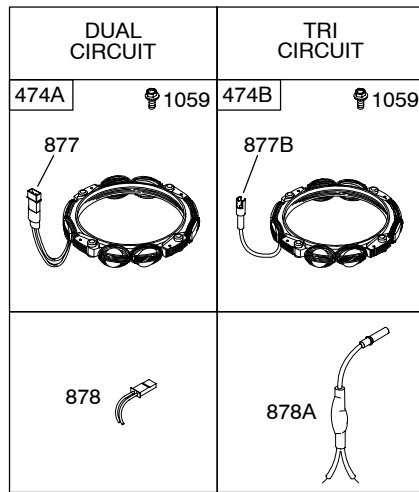



Illustrations cover a range of engines. Parts shown without corresponding text may not be used on your specific engine.
 5766-5 Assemblies include all parts shown in frames. 10/31/2005

31P700

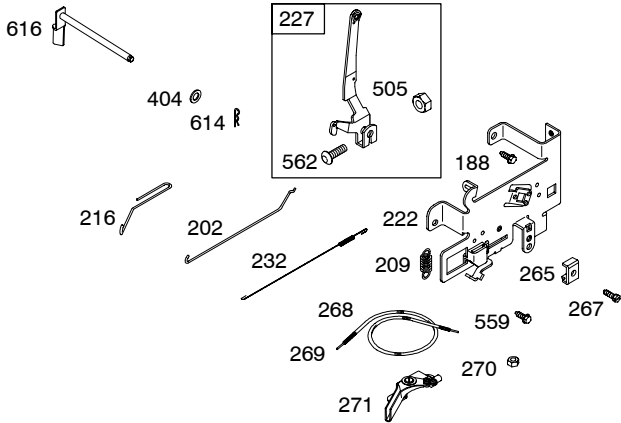
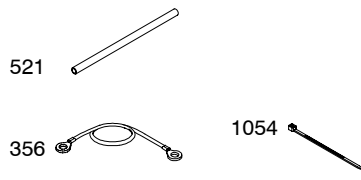
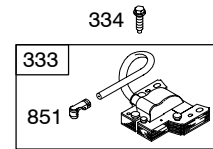
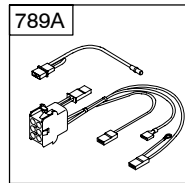
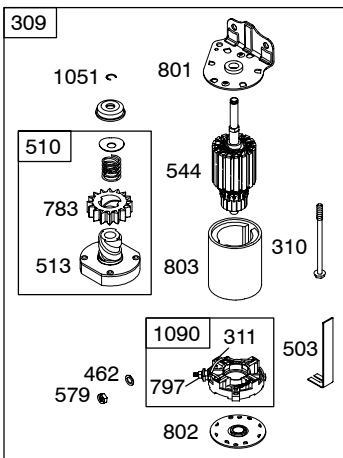


Illustrations cover a range of engines. Parts shown without corresponding text may not be used on your specific engine.



NOTE: All stators use a No. 1119 mounting screw. 

NOTE: The proper flywheel part number and/or the alternator magnet size will determine the alternator type or output. See repair instruction manual for additional information.



Illustrations cover a range of engines. Parts shown without corresponding text may not be used on your specific engine.
 5766-7 Assemblies include all parts shown in frames. 10/31/2005

31P700

REF. NO.	PART NO.	DESCRIPTION	REF. NO.	PART NO.	DESCRIPTION	REF. NO.	PART NO.	DESCRIPTION
1	697174	Cylinder Assembly	24	222698S	Key-Flywheel	37	697352	Guard-Flywheel
2	399265	Kit-Bushing/Seal (Magneto Side)	25	699052	Piston Assembly (Standard)	42	499586	Keeper-Valve
3	391086S	Seal-Oil (Magneto Side)			----- Note -----	43	691968	Slinger-Governor/Oil
4A	697188	Sump-Engine			699053 Piston Assembly	45	690564	Tappet-Valve
5	698148	Head-Cylinder			(.010" Oversize)	46	790400	Camshaft
7	699168	Gasket-Cylinder Head			699054 Piston Assembly			----- Note -----
9	697109	Gasket-Breather			(.020" Oversize)			791942 Camshaft Used on Type No(s). 0117.
10	697157	Screw (Breather Assembly)	26	699051	Ring Set (Standard)	50	690193	Manifold-Intake
11	697113	Tube-Breather			----- Note -----	51	692137	Gasket-Intake
12	697110	Gasket-Crankcase (.015" Thick)(Standard)			697558 Ring Set (.010" Oversize)	53	690227	Stud (Carburetor)
13	690360	Screw (Cylinder Head)			697559 Ring Set (.020" Oversize)	54	691148	Screw (Intake Manifold)
15	691680	Plug-Oil Drain (Flush) Used on Type No(s). 0115, 0293.			697560 Ring Set (.030" Oversize)	73	697133	Screen-Rotating
		----- Note -----	27	698469	Lock-Piston Pin	74	697897	Screw (Rotating Screen)
		690946 Plug-Oil Drain (Square Head) Used on Type No(s). 0116, 0117, 0120, 0296, 0299, 0337, 0348, 0366, 0367, 0371, 0378, 0492, 0602.	28	697099	Pin-Piston (Standard)	78	691003	Screw (Flywheel Guard)
16	697127	Crankshaft ----- Note -----	29	697126	Rod-Connecting (Standard)	81	691178	Lock-Muffler Screw
		697516 Crankshaft Used on Type No(s). 0117, 0367.			----- Note -----	93	690602	Bushing-Throttle Shaft
					697263 Rod-Connecting (.020" Undersize)	94	498030	Kit-Idle Mixture
					791632 Rod-Connecting (Standard) Used on Type No(s). 0117, 0367.	94A	695425	Kit-Idle Mixture
20	690947	Seal-Oil (PTO Side)	32	692852	Screw (Connecting Rod)	95	691636	Screw (Throttle Valve)
22	692125	Screw (Crankcase Cover/Sump)			----- Note -----	95A	690718	Screw (Throttle Valve)
23	693557	Flywheel Used on Type No(s). 0293, 0296, 0299, 0337, 0378, 0492, 0602.			791118 Screw (Connecting Rod) Used on Type No(s). 0117, 0367.	98	495800	Kit-Idle Speed
		----- Note -----	33	695760	Valve-Exhaust	98A	695408	Kit-Idle Speed
		693556 Flywheel Used on Type No(s). 0115, 0116, 0120, 0121, 0348, 0349, 0366, 0371.	34	695761	Valve-Intake	104	690525	Pin-Float Hinge
		698282 Flywheel Used on Type No(s). 0117, 0367.	35	691279	Spring-Valve (Intake)	104A	694918	Pin-Float Hinge
			36	691279	Spring-Valve (Exhaust)	105	231855S	Valve-Float Needle
						105A	696136	Valve-Float Needle
						106	690577	Seat-Inlet (Gravity Feed) (697203, 697204)
								----- Note -----
								691780 Seat-Inlet (Pump Feed) (697202, 697205)
						108	690464	Valve-Choke
						108A	692344	Valve-Choke (697202, 697203)

★ Included in Engine Gasket Set-Ref. No.358.

● Included in Carburetor Overhaul Kit-Ref. No. 121.

◆ Included in Carburetor Gasket Set-Ref. No. 977.

△ Included in Valve Gasket Set-Ref. No 1095.

Illustrations cover a range of engines. Parts shown without corresponding text may not be used on your specific engine.

5766-8

Assemblies include all parts shown in frames.

10/31/2005

31P700

REF. NO.	PART NO.	DESCRIPTION	REF. NO.	PART NO.	DESCRIPTION	REF. NO.	PART NO.	DESCRIPTION
108B	695419	Valve-Choke	192	691986	Adjuster-Rocker Arm	269	691026	Wire-Control
117	694352	Jet-Main (Standard)	202	691841	Link-Mechanical Governor			(Cut To Required Length)
117A	699457	Jet-Main (Standard)	209	692208	Spring-Governor	270	691027	Nut
118	697228	Jet-Main (High Altitude)			----- Note -----			(Control Wire Casing)
118A	699458	Jet-Main (High Altitude)		690480	Spring-Governor	271	691028	Lever-Control
121	697241	Kit-Carburetor Overhaul (Walbro Carburetor)			Used on Type No(s). 0120, 0121, 0349.	276	692255	Washer-Sealing
121A	699521	Kit-Carburetor Overhaul (Nikki Carburetor)		691798	Spring-Governor	276A	695410	Washer-Sealing
125	791888	Carburetor (Gravity Feed)(Use to replace pump and gravity feed Walbro carburetors)	216	691840	Link-Choke	300A	698356	Muffler
127	695005	Plug-Welch (5/16" Diameter)	222	694042	Bracket-Control			Used on Type No(s). 0116.
127A	690727	Plug-Welch	227	691374	Lever-Governor Control	304	699828	Housing-Blower (Red)
130	691750	Valve-Throttle	232	691842	Spring-Governor Link			Used on Type No(s). 0293E1, 0296, 0299, 0337, 0348, 0366, 0371, 0378, 0492.
130A	699500	Valve-Throttle	238	691843	Cap-Valve			----- Note -----
131	790901	Kit-Throttle Shaft	240	394358S	Filter-Fuel (White, 75 Microns) Used on Type No(s). 0116, 0293, 0299, 0371, 0378, 0602.	305	697102	Screw (Blower Housing)
131A	699501	Kit-Throttle Shaft	240A	691035	Filter-Fuel (Includes Paper Element With A 40 Micron Rating) Used on Type No(s). 0115, 0117, 0120, 0121, 0296, 0337, 0348, 0349, 0366, 0367, 0492.	305A	697103	Screw (Blower Housing)
133	494381	Float-Carburetor			Clamp-Casing	306	697107	Shield-Cylinder
133A	694914	Float-Carburetor			Screw (Casing Clamp)	307	691003	Screw (Cylinder Shield)
135	698780	Tube-Fuel Transfer	265	691024	Clamp-Casing	309	693551	Motor-Starter
137	281165S	Gasket-Float Bowl	267	695134	Screw (Casing Clamp)	310	690323	Screw (Starter Motor)
137A	698781	Gasket-Float Bowl			----- Note -----	311	497608	Brush Set
141	495097	Kit-Choke Shaft (Gaseous)		690804	Screw (Casing Clamp) Used on Type No(s). 0117, 0120, 0121, 0349, 0367.	333	492341	Armature-Magneto
141A	790902	Kit-Choke Shaft (697202, 697203)			Casing-Control Wire (Cut To Required Length)	334	691061	Screw (Magneto Armature)
141B	698778	Kit-Choke Shaft						
142	697140	Nozzle-Carburetor (Standard)						
146	691639	Key-Timing						
187B	791805	Line-Fuel (Formed)(Cut To Required Length)	268	691025	Casing-Control Wire (Cut To Required Length)			
188	691693	Screw (Control Bracket)						

★ Included in Engine Gasket Set-Ref. No.358.

● Included in Carburetor Overhaul Kit-Ref. No. 121.

◆ Included in Carburetor Gasket Set-Ref. No. 977.

△ Included in Valve Gasket Set-Ref. No 1095.

Illustrations cover a range of engines. Parts shown without corresponding text may not be used on your specific engine.

5766-9

Assemblies include all parts shown in frames.

10/31/2005

31P700

REF. NO.	PART NO.	DESCRIPTION	REF. NO.	PART NO.	DESCRIPTION	REF. NO.	PART NO.	DESCRIPTION
337	491055S	Plug-Spark Used on Type No(s). 0115, 0116, 0117, 0120, 0121, 0293, 0349, 0367, 0492, 0602.	462	691261	Washer (Starter Cable)	584	697112	Cover-Breather Passage
		----- Note -----	474A	696459	Alternator (Dual Circuit) Used on Type No(s). 0293, 0296, 0299, 0492, 0602.	601	791850	Clamp-Hose
		691043 Plug-Spark Used on Type No(s). 0296, 0299, 0337, 0348, 0366, 0371, 0378.	474B	696457	Alternator (Tri Circuit) Used on Type No(s). 0115, 0116, 0117, 0120, 0121, 0348, 0349, 0366, 0367, 0371.	613	691416	Screw (Muffler)(Muffler)
344	693675	Screw (Cable Clamp) Used on Type No(s). 0120, 0121, 0299, 0337.	501	691188	Regulator Used on Type No(s). 0115, 0116, 0117, 0120, 0121, 0348, 0349, 0366, 0367, 0371.	613B	691678	Screw (Muffler)(Muffler)
356	697089	Wire-Stop				614	691620	Pin-Cotter
358	697191	Gasket Set-Engine				616	692012	Crank-Governor
363	19203	Puller-Flywheel				617	692138	Seal-O Ring (Intake Manifold)
383	89838S	Wrench-Spark Plug	503	691532	Strap-Starter	634	690801	Spring/Seal Assembly (Gaseous)
385	694476	Screw (Fuel Pump) Used on Type No(s). 0115, 0117, 0120, 0121, 0348, 0366, 0367, 0492.	505	691251	Nut (Governor Control Lever)	634A	690802	Spring/Seal Assembly (697202, 697203)
			510	693699	Drive-Starter	634B	698779	Spring/Seal Assembly
385A	690297	Screw (Fuel Pump) Used on Type No(s). 0115, 0117, 0120, 0121, 0348, 0366, 0367, 0492.	513	692024	Clutch-Drive	635	691909	Boot-Spark Plug
			521	690581	Shield-Cable	643	698401	Retainer-Air Filter
387	697090	Pump-Fuel Used on Type No(s). 0115, 0117, 0120, 0121, 0348, 0366, 0367, 0492.	523	699908	Dipstick	654	690958	Nut (Carburetor)
			524	691032	Seal-Dipstick Tube	676	393761	Deflector-Muffler Used on Type No(s). 0116.
387A	808656	Pump-Fuel Used on Type No(s). 0115, 0117, 0120, 0121, 0348, 0366, 0367, 0492.	525	697184	Tube-Dipstick Used on Type No(s). 0116, 0293, 0299, 0371, 0378, 0602.	677	690661	Screw (Muffler Deflector) Used on Type No(s). 0116.
						691	692407	Seal-Governor Shaft
						692	690572	Spring-Detent
						697	690372	Screw (Drive Cap)
						718	690959	Pin-Locating
						729A	691224	Clip-Wire (Aluminum Coated Steel)
						741	697128	Gear-Timing
						750	790832	Screw (Oil Pump Cover)
						757	697607	Link-Counterweight
						758	697134	Counterweight
						759	697392	Pin-Counterweight
			526	697088	Screw (Regulator)	783	693713	Gear-Pinion
			544	692034	Armature-Starter	789A	698329	Harness-Wiring
404	691691	Washer (Governor Crank)	552	697144	Bushing-Governor Crank	797	693167	Nut (Brush Retainer)
415	690283	Plug (Sump)	559	697561	Screw (Remote Choke Stop)	801	691283	Cap-Drive
431	697122	Elbow-Intake				802	691286	Cap-End
445	698083	Filter-Air Cleaner Cartridge (Non Washable)				803		Housing-Starter (Not Serviced Separately, Order Starter Motor 693551)
		----- Note -----	562	691119	Bolt (Governor Control Lever)			
		697153 Filter-Air Cleaner Cartridge (Washable)	579	691029	Nut (Starter Cable)			

★ Included in Engine Gasket Set-Ref. No.358.

● Included in Carburetor Overhaul Kit-Ref. No. 121.

◆ Included in Carburetor Gasket Set-Ref. No. 977.

△ Included in Valve Gasket Set-Ref. No 1095.

Illustrations cover a range of engines. Parts shown without corresponding text may not be used on your specific engine.

31P700

REF. NO.	PART NO.	DESCRIPTION	REF. NO.	PART NO.	DESCRIPTION	REF. NO.	PART NO.	DESCRIPTION
823	698941	Screw (Muffler Adapter) Used on Type No(s). 0116.	947	694393	Solenoid-Fuel	1029	691751	Arm-Rocker
830	691095	Stud-Rocker Arm	947A	699915	Solenoid-Fuel	1032	491710	Ball-Oil Pump
842	691031	Seal-O Ring (Dipstick Tube)	950	691657	Screw-Float Bowl	1034	690822	Guide-Push Rod
847	790442	Dipstick/Tube Assembly Used on Type No(s). 0116, 0293, 0299, 0371, 0378, 0602.	965	499613	Cover-Oil Pump	1035	693784	Shaft-Pump
		----- Note -----	967	697015	Filter-Pre Cleaner	1036		Label-Emissions (Available from an Authorized Briggs & Stratton Service Dealer)
	790443	Dipstick/Tube Assembly Used on Type No(s). 0115, 0117, 0120, 0121, 0296, 0337, 0348, 0349, 0366, 0367, 0492.	968	699848	Cover-Air Cleaner (Red) Used on Type No(s). 0293E1, 0296, 0299, 0337, 0348, 0366, 0371, 0378, 0492.	1040B	699852	Plate-Trim
851	692424	Terminal-Spark Plug			----- Note -----	1044	698139	Screw (Flywheel)
864	697346	Adapter-Muffler Used on Type No(s). 0116.	975	495933	Bowl-Float	1051	691265	Ring-Retaining
868	690968	Seal-Valve	975A	699502	Bowl-Float	1054	280275	Tie-Cable
877	393456	Wire/Connector-Alternator (Dual Circuit)	977	690192	Gasket Set-Carburetor	1058	276344	Operator's Manual
877B	393537	Wire/Connector-Alternator (Tri Circuit)	987	691326	Seal-Throttle Shaft	1059	698516	Kit-Screw/Washer
878	398661	Harness-Alternator (Dual Circuit)	987A	698777	Seal-Throttle Shaft	1070	690372	Screw (Flywheel Fan)
878A	691955	Harness-Alternator (Tri Circuit)	1005	699043	Fan-Flywheel	1090	691293	Retainer-Brush
883	692236	Gasket-Exhaust	1017	690770	Screen-Oil Pump	1091	691333	Cap-Limiter
914	691108	Screw (Rocker Cover)	1019	699459	Kit-Label	1095	690190	Gasket Set-Valve
918	791851	Hose-Vacuum	1022	272475S	Gasket-Rocker Cover	1119	691183	Screw (Alternator)
943	690589	Seal-O Ring (Oil Pump Cover)	1023	791079	Cover-Rocker Used on Type No(s). 0120, 0367.	1127	695407	Screw (Float Bowl)
			1024	499054	Pump-Oil	1263	697124	Reed-Breather
			1026	692003	Rod-Push (Intake) ----- Note -----	1264	697104	Screw (Breather Reed)
					692011 Rod-Push (Exhaust)	1266	691917	Seal-O Ring (Intake Elbow)
			1027	492932S	Filter-Oil Used on Type No(s). 0115, 0116, 0117, 0120, 0121, 0293, 0299, 0349, 0366, 0367, 0492, 0602.	1266A	697123	Seal-O Ring (Intake Elbow)
					----- Note -----	1267	697424	Latch-Blower Housing (Red) Used on Type No(s). 0293E1, 0296, 0299, 0337, 0348, 0366, 0371, 0378, 0492.
					696854 Filter-Oil Used on Type No(s). 0296, 0337, 0348, 0371, 0378.			----- Note -----
						1270	697156	Plug-AVS Counterweight
						1330	272147	Repair Manual

★ Included in Engine Gasket Set-Ref. No.358.

● Included in Carburetor Overhaul Kit-Ref. No. 121.

◆ Included in Carburetor Gasket Set-Ref. No. 977.

△ Included in Valve Gasket Set-Ref. No 1095.

Illustrations cover a range of engines. Parts shown without corresponding text may not be used on your specific engine.