



# 31G700

## Illustrated Parts List

### Model Series

# 31G700

TYPE NUMBERS  
0026 through 0294.

### TABLE OF CONTENTS

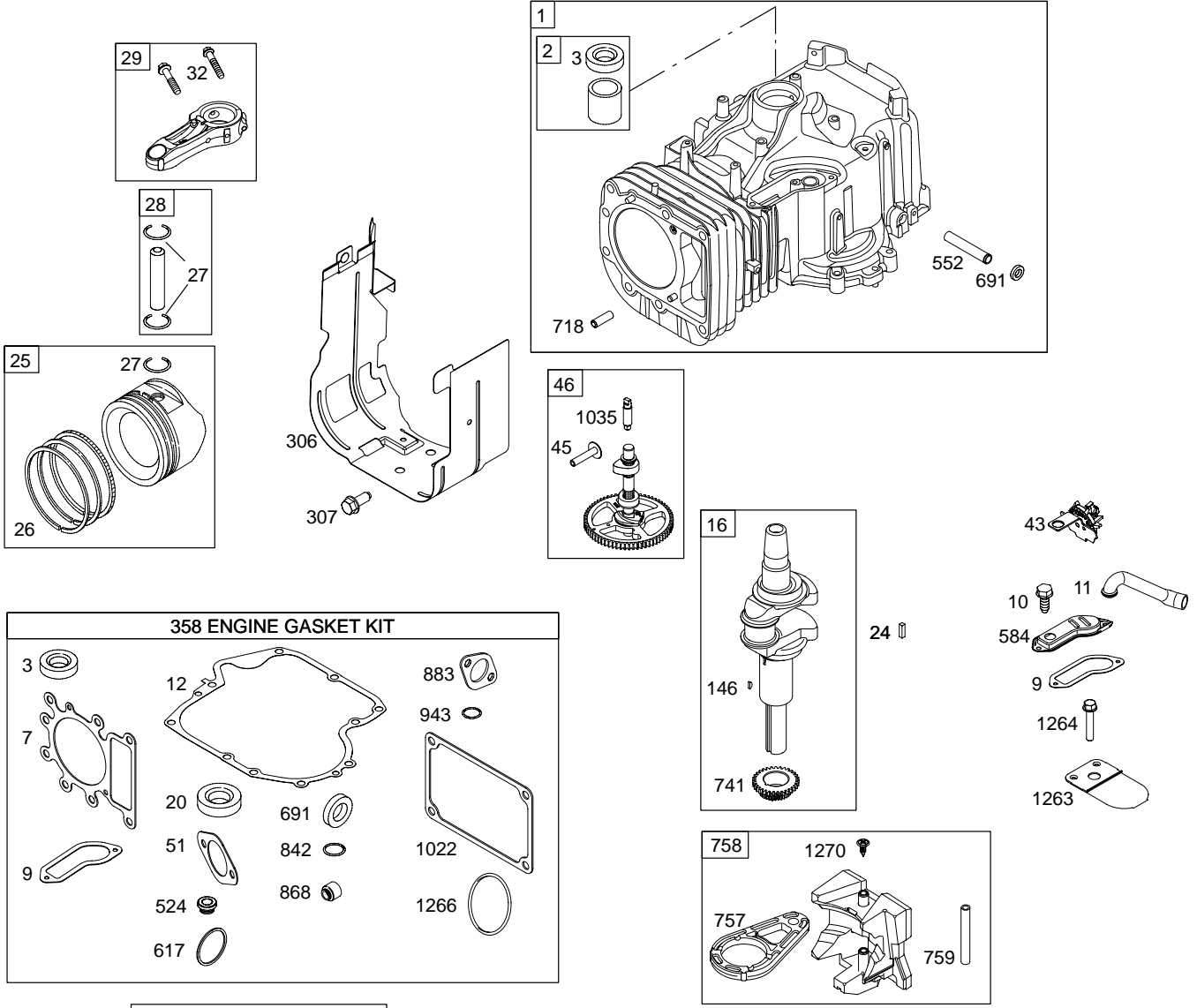
Air Cleaner .....	5
Alternator .....	7
Blower Housing .....	5
Camshaft .....	2
Carburetor .....	4
Controls .....	7
Crankshaft .....	2
Cylinder .....	2
Cylinder Head .....	3
Electric Starter .....	7
Engine Sump .....	2
Exhaust System .....	5
Flywheel .....	6
Fuel Supply .....	4
Gasket Set-Engine .....	2
Gasket Set-Valve .....	3
Governor Spring .....	7
Ignition .....	7
Intake Manifold .....	3
Kit-Carburetor Overhaul .....	4
Lubrication .....	3
Piston, Rings, Connecting Rod .....	2
Valves .....	3



PRINTED IN U.S.A.

COPYRIGHT by BRIGGS & STRATTON CORPORATION  
All rights reserved. No part of this material may be reproduced or transmitted, in any form or by any means, electronic or mechanical, including photocopying, recording or by any information storage and retrieval system, without permission in writing from Briggs & Stratton Corporation.

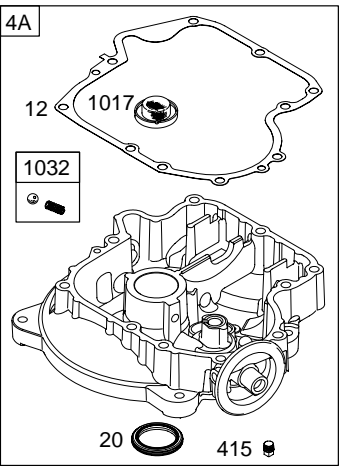
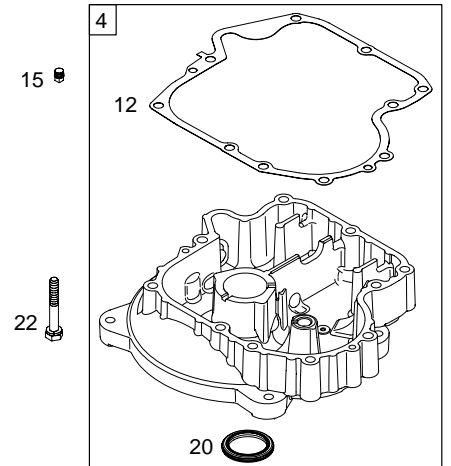
# 31G700



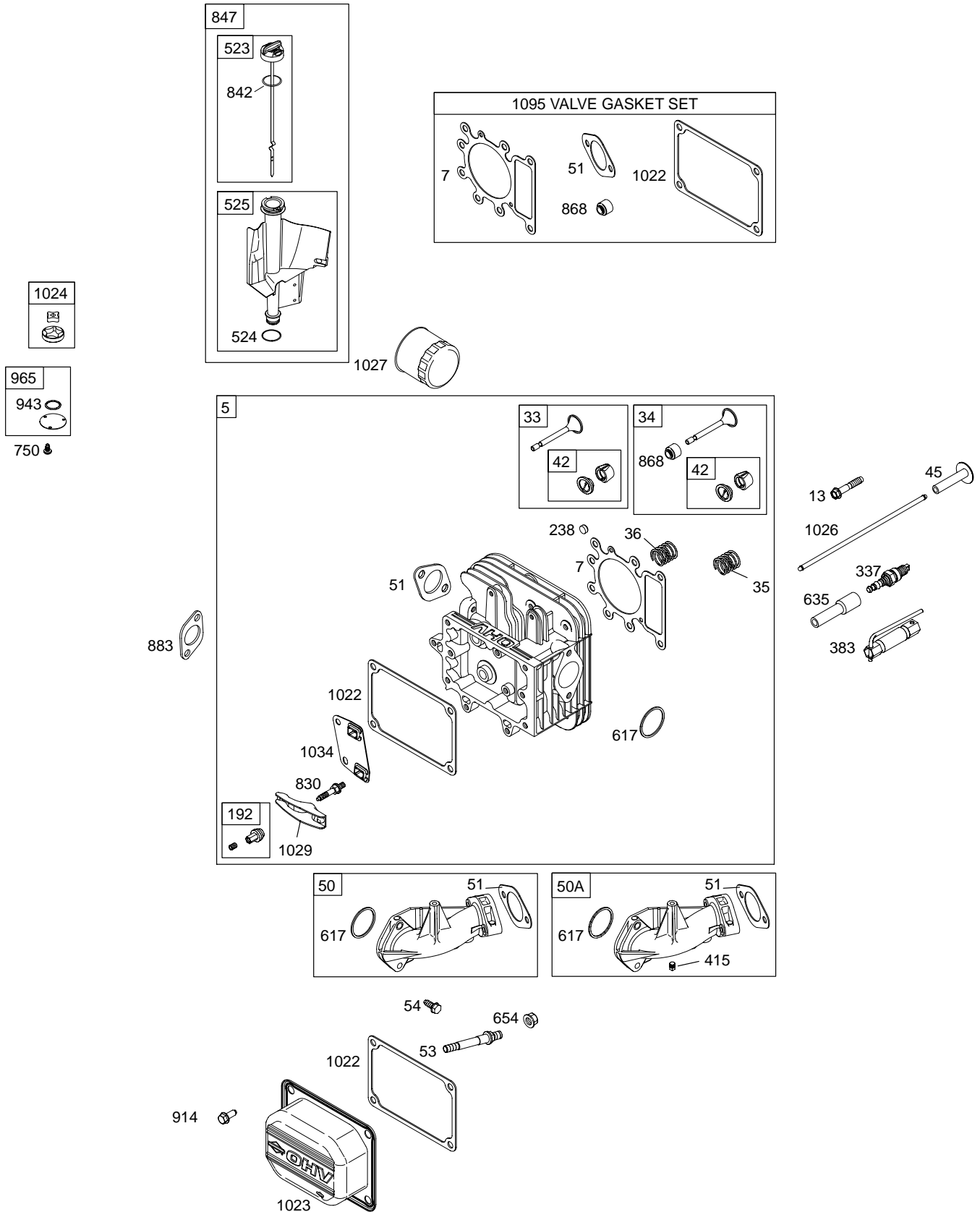
1019 LABEL KIT

1058 OWNER'S MANUAL

1330 REPAIR MANUAL

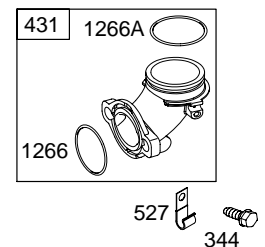
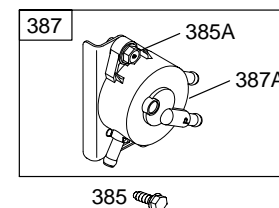
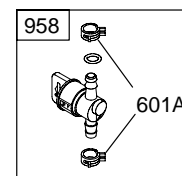
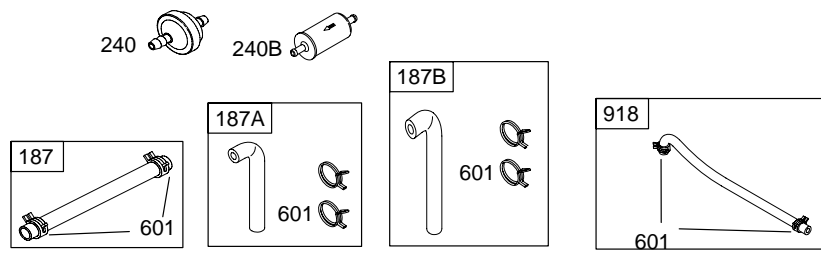
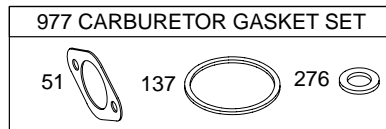
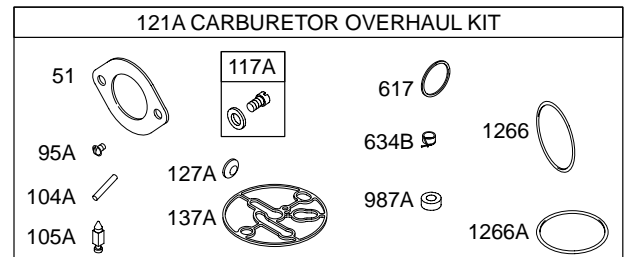
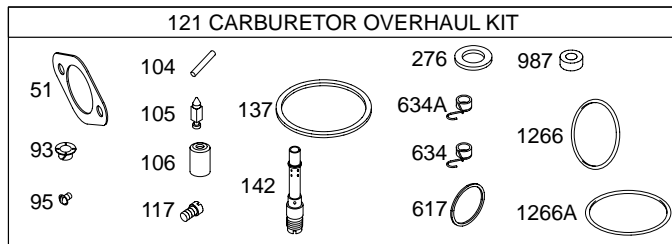
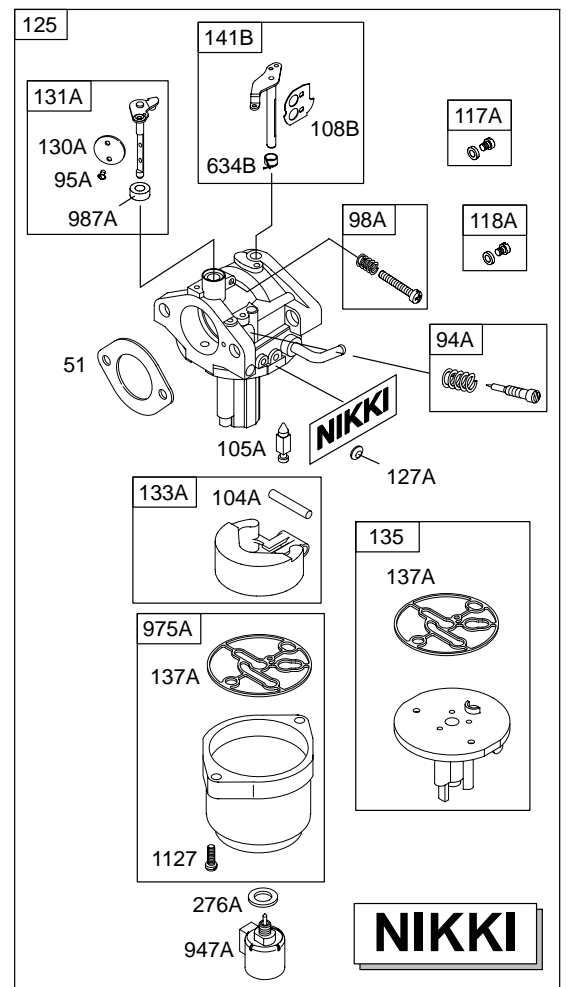
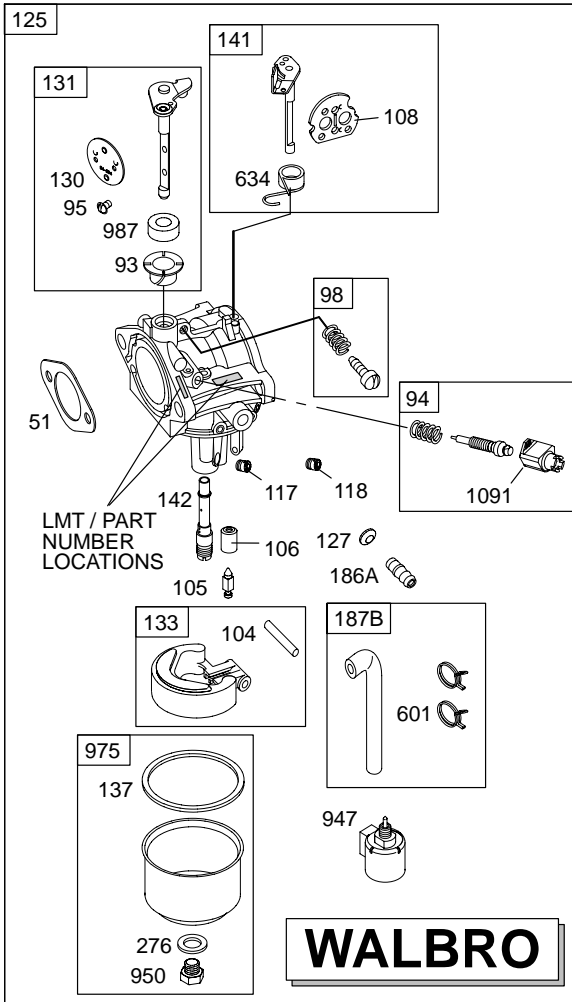
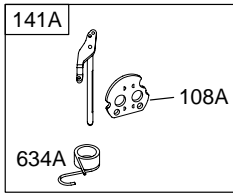


Illustrations cover a range of engines. Parts shown without corresponding text may not be used on your specific engine.  
 5164-2 Assemblies include all parts shown in frames. 11/18/2004

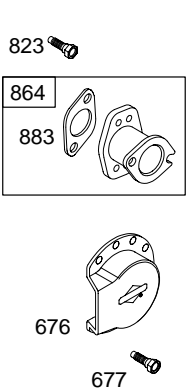
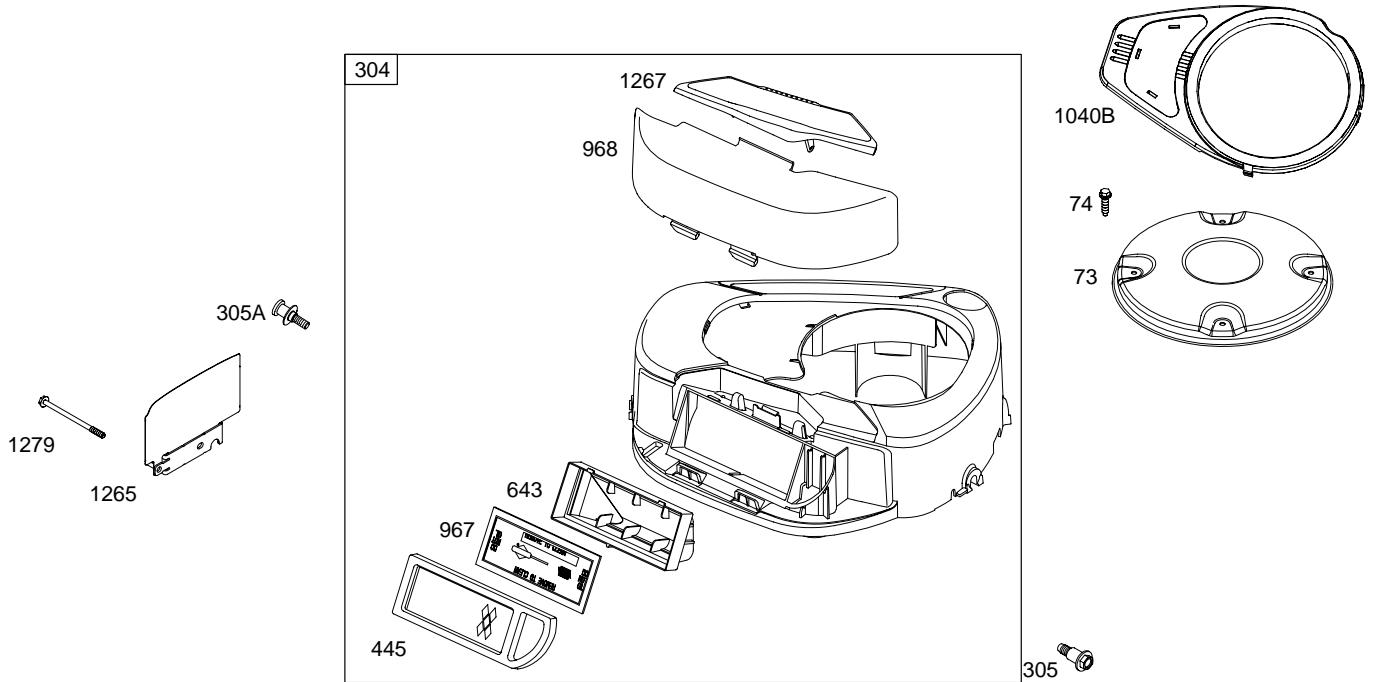


Illustrations cover a range of engines. Parts shown without corresponding text may not be used on your specific engine.  
 5164-3 Assemblies include all parts shown in frames. 11/18/2004

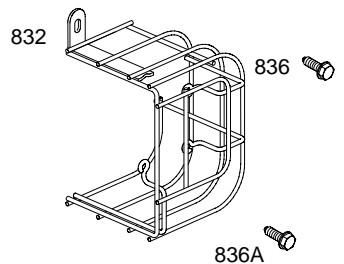
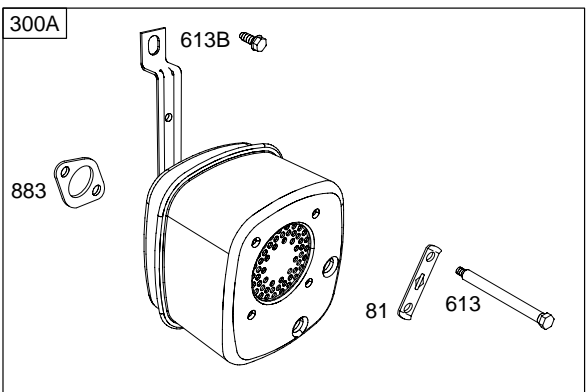
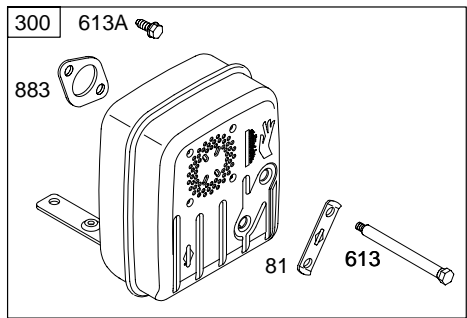
# 31G700



Illustrations cover a range of engines. Parts shown without corresponding text may not be used on your specific engine. 5164-4 Assemblies include all parts shown in frames. 11/18/2004



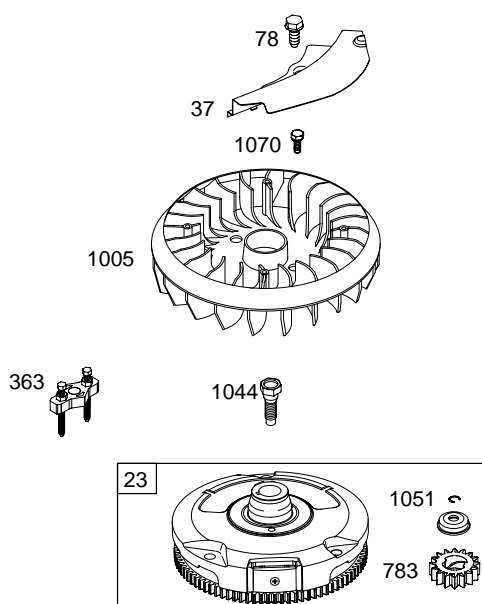
1036 EMISSION LABEL




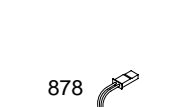
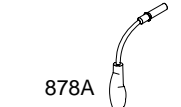
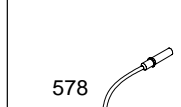


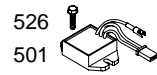
Illustrations cover a range of engines. Parts shown without corresponding text may not be used on your specific engine.  
 5164-5 Assemblies include all parts shown in frames. 11/18/2004


# 31G700

---

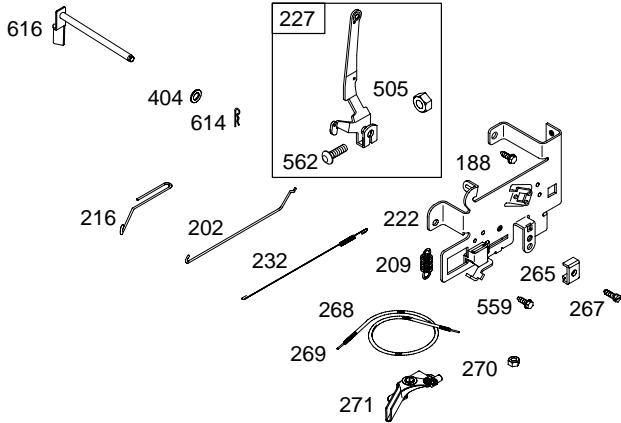
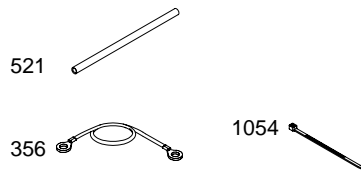
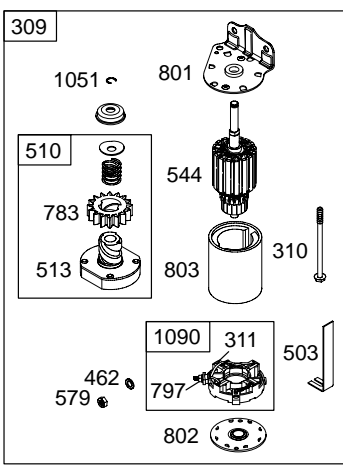
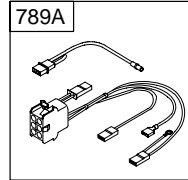
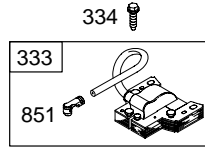
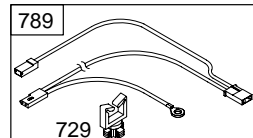


DUAL CIRCUIT		TRI CIRCUIT		10 AMP	
474A	1059	474B	1059	474C	1059
					
					



**NOTE:** All stators use a No. 1119 mounting screw. 

**NOTE:** The proper flywheel part number and/or the alternator magnet size will determine the alternator type or output. See repair instruction manual for additional information.



Illustrations cover a range of engines. Parts shown without corresponding text may not be used on your specific engine. 5164-7 Assemblies include all parts shown in frames. 11/18/2004

# 31G700

REF. NO.	PART NO.	DESCRIPTION	REF. NO.	PART NO.	DESCRIPTION	REF. NO.	PART NO.	DESCRIPTION
1	697174	Cylinder Assembly	24	222698	Key-Flywheel	50	690193	Manifold-Intake
2	399265	Kit-Bushing/Seal (Magneto Side)	25	699025	Piston Assembly (Standard)			Used on Type No(s). 0026, 0036, 0112, 0113, 0114, 0119, 0120, 0121, 0123, 0125, 0127, 0128, 0151, 0165, 0166, 0167, 0181, 0191, 0192, 0193, 0196, 0199, 0253, 0258, 0263, 0290, 0292, 0293, 0294.
3	391086	Seal-Oil (Magneto Side)			<b>Note</b>			
4	697106	Sump-Engine Used on Type No(s). 0026.			699040 Piston Assembly (.010" Oversize)			
4A	697188	Sump-Engine			699041 Piston Assembly (.020" Oversize)			
5	698148	Head-Cylinder			699042 Piston Assembly (.030" Oversize)			
7	699168	Gasket-Cylinder Head						
9	697109	Gasket-Breather						
10	697157	Screw (Breather Assembly)	26	699026	Ring Set (Standard)	50A	695527	Manifold-Intake Used on Type No(s). 0115, 0116, 0172.
11	697113	Tube-Breather			<b>Note</b>	51	692137	Gasket-Intake
12	697110	Gasket-Crankcase (.015" Thick)(Standard)			697165 Ring Set (.010" Oversize)	53	690227	Stud (Carburetor)
13	690360	Screw (Cylinder Head)			697171 Ring Set (.020" Oversize)	54	691148	Screw (Intake Manifold)
15	690946	Plug-Oil Drain (Square Head)			697172 Ring Set (.030" Oversize)	73	697133	Screen-Rotating
		<b>Note</b>	27	698469	Lock-Piston Pin	74	690661	Screw (Rotating Screen)
		691680 Plug-Oil Drain (Square Socket)	28	697099	Pin-Piston (Standard)	78	691003	Screw (Flywheel Guard)
16	697127	Crankshaft	29	697126	Rod-Connecting (Standard)	81	691178	Lock-Muffler Screw
20	690947	Seal-Oil (PTO Side)			<b>Note</b>	93	690602	Bushing-Throttle Shaft
22	692125	Screw (Crankcase Cover/Sump)			697263 Rod-Connecting (.020" Undersize)	94	498030	Kit-Idle Mixture
23	693556	Flywheel Used on Type No(s). 0026, 0036, 0112, 0113, 0114, 0115, 0116, 0123, 0125, 0191, 0192, 0196, 0293.	32	692852	Screw (Connecting Rod)	94A	695425	Kit-Idle Mixture
		<b>Note</b>	33	695760	Valve-Exhaust	95	691636	Screw (Throttle Valve)
		790894 Flywheel Used on Type No(s). 0119, 0127, 0128.	34	695761	Valve-Intake	95A	690718	Screw (Throttle Valve)
		790835 Flywheel Used on Type No(s). 0120, 0121, 0166, 0167.	35	691279	Spring-Valve (Intake)	98	495800	Kit-Idle Speed
		693557 Flywheel (Painted Flywheel) Used on Type No(s). 0151, 0165, 0172, 0181, 0193, 0199, 0253, 0258, 0263, 0290, 0292, 0293, 0294.	36	691279	Spring-Valve (Exhaust)	98A	695408	Kit-Idle Speed
			37	697108	Guard-Flywheel	104	690525	Pin-Float Hinge
			42	499586	Keeper-Valve	104A	694918	Pin-Float Hinge
			43	691968	Slinger-Governor/Oil	105	231855	Valve-Float Needle
			45	690564	Tappet-Valve	105A	696136	Valve-Float Needle
			46	790400	Camshaft	106	690577	Seat-Inlet (Gravity Feed)(696181, 697203, 697204)
								<b>Note</b>
								691780 Seat-Inlet (Pump Feed)(696179, 697202)
						108	690464	Valve-Choke (697204)
						108A	692344	Valve-Choke (696179, 696181, 697202, 697203)
						108B	695419	Valve-Choke

★ Included in Engine Gasket Set-Ref. No.358.

● Included in Carburetor Overhaul Kit-Ref. No. 121 or 121A.

◆ Included in Carburetor Gasket Set-Ref. No. 977.

△ Included in Valve Gasket Set-Ref. No 1095.

**Illustrations cover a range of engines. Parts shown without corresponding text may not be used on your specific engine.**

5164-8

Assemblies include all parts shown in frames.

11/18/2004



**31G700**

REF. NO.	PART NO.	DESCRIPTION	REF. NO.	PART NO.	DESCRIPTION	REF. NO.	PART NO.	DESCRIPTION
117	694352	Jet–Main (Standard)(Standard)	187B	698417	Line–Fuel (Formed)(10–1/4 Inches Long)(Cut to Required Length)	265	691024	Clamp–Casing
117A	699457	Jet–Main (Standard)(Standard)				267	695134	Screw (Casing Clamp) Used on Type No(s). 0113, 0114, 0125, 0151, 0181, 0191, 0193, 0196, 0199, 0258, 0263, 0292, 0293, 0294.
118	697228	Jet–Main (High Altitude)	188	691693	Screw (Control Bracket)			<b>Note</b>
118A	699458	Jet–Main (High Altitude)	192	691986	Adjuster–Rocker Arm			<b>690804</b> Screw (Casing Clamp) Used on Type No(s). 0026, 0036, 0112, 0115, 0116, 0119, 0120, 0121, 0123, 0127, 0128, 0167, 0253.
121	697241	Kit–Carburetor Overhaul (Walbro)	202	691841	Link–Mechanical Governor			
121A	699521	Kit–Carburetor Overhaul (Nikki Carburetor)	209	692208	Spring–Governor Used on Type No(s). 0026, 0036, 0112, 0113, 0114, 0125, 0151, 0165, 0167, 0172, 0181, 0191, 0192, 0193, 0196, 0258, 0290, 0292, 0293, 0294.			
125	698445	Carburetor (Gravity Feed)(Use to replace pump and gravity feed carburetors)			<b>Note</b>	268	691025	Casing–Control Wire (Cut To Required Length)
127	695005	Plug–Welch (5/16" Diameter)			<b>691795</b> Spring–Governor Used on Type No(s). 0115, 0116, 0120, 0121.	269	691026	Wire–Control (Cut To Required Length)
127A	690727	Plug–Welch			<b>690576</b> Spring–Governor Used on Type No(s). 0119, 0123, 0127, 0128, 0166.	270	691027	Nut (Control Wire Casing)
130	691750	Valve–Throttle			<b>260902</b> Spring–Governor Used on Type No(s). 0199, 0253, 0263.	271	691028	Lever–Control
130A	699500	Valve–Throttle	216	691840	Link–Choke	276	692255	Washer–Sealing
131	494379	Kit–Throttle Shaft	222	694042	Bracket–Control	276A	695410	Washer–Sealing
131A	699501	Kit–Throttle Shaft	227	691374	Lever–Governor Control	300	697349	Muffler Used on Type No(s). 0026, 0036, 0112, 0115, 0167.
133	494381	Float–Carburetor				300A	698356	Muffler Used on Type No(s). 0125.
133A	694914	Float–Carburetor	232	691842	Spring–Governor Link	304	790929	Housing–Blower (Red) Used on Type No(s). 0026, 0036, 0112, 0113, 0114, 0119, 0120, 0123, 0127, 0128, 0151, 0165, 0167, 0172, 0181, 0191, 0192, 0193, 0196, 0199, 0258, 0263, 0290, 0292, 0293, 0294.
135	698780	Tube–Fuel Transfer	238	691843	Cap–Valve			<b>Note</b>
137	281165	Gasket–Float Bowl	239	491657	Switch–Oil Pressure Used on Type No(s). 0167.			<b>698599</b> Housing–Blower (Black) Used on Type No(s). 0115, 0116, 0121, 0125, 0166, 0253.
137A	698781	Gasket–Float Bowl	240	394358	Filter–Fuel (White, 75 Microns)			
141	495097	Kit–Choke Shaft (697204)	240B	691035	Filter–Fuel (Clear, 40 Microns) Used on Type No(s). 0026, 0036, 0112, 0115, 0116.			
141A	495931	Kit–Choke Shaft (696179, 696181, 697202, 697203)						
141B	698778	Kit–Choke Shaft						
142	697140	Nozzle–Carburetor (Standard)						
146	691639	Key–Timing						
186	692317	Connector–Hose (90 Degree)						
186A	698174	Connector–Hose (Straight)						
187	691050	Line–Fuel (Cut To Required Length)						
187A	698821	Line–Fuel (Formed)(4–1/2 Inches Long)(Cut To Required Length)						

★ Included in Engine Gasket Set–Ref. No.358.

● Included in Carburetor Overhaul Kit–Ref. No. 121 or121A.

◆ Included in Carburetor Gasket Set–Ref. No. 977.

△ Included in Valve Gasket Set–Ref. No 1095.

**Illustrations cover a range of engines. Parts shown without corresponding text may not be used on your specific engine.**

5164–9

Assemblies include all parts shown in frames.

11/18/2004

# 31G700

REF. NO.	PART NO.	DESCRIPTION	REF. NO.	PART NO.	DESCRIPTION	REF. NO.	PART NO.	DESCRIPTION
305	697102	Screw (Blower Housing)	415	690283	Plug (Square Head)	510	693699	Drive-Starter
305A	697103	Screw (Blower Housing)	431	697122	Elbow-Intake	513	692024	Clutch-Drive
306	697107	Shield-Cylinder	445	698083	Filter-Air Cleaner Cartridge (Non Washable)	521	690581	Shield-Cable
307	691108	Screw (Cylinder Shield)	462	691261	Washer (Starter Cable)	523	699908	Dipstick
309	693551	Motor-Starter	474A	696459	Alternator (Dual Circuit) Used on Type No(s). 0119, 0128, 0151, 0165, 0172, 0181, 0193, 0199, 0253, 0258, 0263, 0290, 0292, 0294.	524	691032	Seal-Dipstick Tube
310	690323	Screw (Starter Motor)	474B	696457	Alternator (Tri Circuit) Used on Type No(s). 0026, 0036, 0112, 0113, 0114, 0115, 0116, 0121, 0123, 0125, 0127, 0166, 0167, 0191, 0196, 0293.	525	697085	Tube-Dipstick Used on Type No(s). 0026, 0036, 0112, 0113, 0115, 0116, 0167, 0196.
311	497608	Brush Set	474C	696458	Alternator (10 Amp Regulator) Used on Type No(s). 0120, 0192.	<b>Note</b>		
333	492341	Armature-Magneto	501	691188	Regulator Used on Type No(s). 0026, 0036, 0112, 0113, 0114, 0115, 0116, 0121, 0123, 0125, 0127, 0166, 0167, 0191, 0196, 0293.	697184	Tube-Dipstick Used on Type No(s). 0114, 0119, 0120, 0121, 0123, 0125, 0127, 0128, 0151, 0165, 0166, 0172, 0181, 0191, 0192, 0193, 0199, 0253, 0258, 0263, 0290, 0292, 0293, 0294.	
334	691061	Screw (Magneto Armature)				526	697088	Screw (Regulator) Used on Type No(s). 0026, 0036, 0112, 0113, 0114, 0115, 0116, 0121, 0123, 0125, 0127, 0166, 0167, 0191, 0196, 0293.
337	691043	Plug-Spark Used on Type No(s). 0113, 0114, 0119, 0120, 0121, 0123, 0127, 0128, 0151, 0166, 0167, 0191, 0193, 0196, 0253, 0292, 0293, 0294.				<b>Note</b>		
		<b>Note</b>				697348	Screw (Regulator) Used on Type No(s). 0120, 0192.	
		491055 Plug-Spark Used on Type No(s). 0026, 0036, 0112, 0115, 0116, 0125, 0165, 0172, 0181, 0192, 0199, 0258, 0263, 0290.				527	698467	Clamp-Tube Used on Type No(s). 0151, 0172, 0191, 0193, 0293, 0294.
344	693675	Screw (Cable Clamp) Used on Type No(s). 0151, 0172, 0191, 0192, 0193, 0196, 0253, 0292, 0293, 0294.				544	692034	Armature-Starter
356	697089	Wire-Stop				552	697144	Bushing-Governor Crank
358	697191	Gasket Set-Engine				559	697561	Screw (Remote Choke Stop) Used on Type No(s). 0172, 0191, 0192, 0193, 0196, 0253, 0293, 0294.
363	19203	Puller-Flywheel				562	691119	Bolt (Governor Control Lever)
383	89838	Wrench-Spark Plug						
385	694476	Screw (Fuel Pump)	503	691532	Strap-Starter			
385A	690297	Screw (Fuel Pump)	505	691251	Nut (Governor Control Lever)			
387	697090	Pump-Fuel (Includes Mounting Bracket)						
387A	808656	Pump-Fuel						
404	691691	Washer (Governor Crank)						

★ Included in Engine Gasket Set-Ref. No.358.

● Included in Carburetor Overhaul Kit-Ref. No. 121 or 121A.

◆ Included in Carburetor Gasket Set-Ref. No. 977.

△ Included in Valve Gasket Set-Ref. No 1095.

**Illustrations cover a range of engines. Parts shown without corresponding text may not be used on your specific engine.**

**31G700**

REF. NO.	PART NO.	DESCRIPTION	REF. NO.	PART NO.	DESCRIPTION	REF. NO.	PART NO.	DESCRIPTION
578	692306	Wire Assembly Used on Type No(s). 0120, 0192.	729B	694123	Clip–Wire (Nylon)	847	790442	Dipstick/Tube Assembly
579	691029	Nut (Starter Cable)	741	697128	Gear–Timing			Used on Type No(s). 0114, 0119, 0120, 0121, 0123, 0125, 0127, 0128, 0151, 0165, 0166, 0172, 0181, 0191, 0192, 0193, 0199, 0253, 0258, 0263, 0290, 0292, 0293, 0294.
584	697112	Cover–Breather Passage	750	691033	Screw (Oil Pump Cover)			<b>Note</b> <b>790443</b> Dipstick/Tube Assembly
601	95162	Clamp–Hose	757	697607	Link–Counterweight			Used on Type No(s). 0026, 0036, 0112, 0119, 0121, 0123, 0166, 0167, 0172, 0192.
601A	691038	Clamp–Hose	758	697134	Counterweight			0113, 0114, 0115, 0116, 0120, 0125, 0127, 0128, 0151, 0165, 0181, 0191, 0193, 0196, 0199, 0253, 0258, 0263, 0290, 0292, 0293, 0294.
613	691416	Screw (Muffler)	759	697392	Pin–Counterweight			
613A	690297	Screw (Muffler)	783	693713	Gear–Pinion			
613B	691678	Screw (Muffler)	789	692037	Harness–Wiring Used on Type No(s). 0026, 0036, 0112, 0119, 0121, 0123, 0166, 0167, 0172, 0192.			
614	691620	Pin–Cotter	789A	698329	Harness–Wiring Used on Type No(s). 0113, 0114, 0115, 0116, 0120, 0125, 0127, 0128, 0151, 0165, 0181, 0191, 0193, 0196, 0199, 0253, 0258, 0263, 0290, 0292, 0293, 0294.			
616	692012	Crank–Governor				851	692424	Terminal–Spark Plug
617	692138	Seal–O Ring (Intake Manifold)				864	697346	Adapter–Muffler Used on Type No(s). 0026, 0036, 0115.
634	690801	Spring/Seal Assembly (697204)						
634A	690802	Spring/Seal Assembly (696179, 696181, 697202, 697203)				868	690968	Seal–Valve
634B	698779	Spring/Seal Assembly				877	393456	Wire/Connector– Alternator (Dual Circuit)
635	691909	Boot–Spark Plug	797	693167	Nut (Brush Retainer)			Used on Type No(s). 0119, 0128, 0151, 0165, 0172, 0181, 0193, 0199, 0253, 0258, 0263, 0290, 0292, 0294.
643	698401	Retainer–Air Filter	801	691283	Cap–Drive			
654	690958	Nut (Carburetor)	802	691286	Cap–End			
676	393761	Deflector–Muffler Used on Type No(s). 0026, 0036, 0112, 0115, 0125.	803	693757	Housing–Starter			
677	690661	Screw (Muffler Deflector)	823	698941	Screw (Muffler Adapter) Used on Type No(s). 0026, 0036, 0115.	877B	393537	Wire/Connector– Alternator (Tri Circuit)
691	692407	Seal–Governor Shaft	830	691095	Stud–Rocker Arm			Used on Type No(s). 0026, 0036, 0112, 0113, 0114, 0115, 0116, 0121, 0123, 0125, 0127, 0166, 0191, 0196, 0293.
697	690372	Screw (Drive Cap)	832	790244	Guard–Muffler Used on Type No(s). 0125.			
718	690959	Pin–Locating	836	691676	Screw (Muffler Guard)	877C	399916	Wire/Connector– Alternator (10 Amp Circuit)
729	691335	Clip–Wire (Wire Saddle)	836A	690367	Screw (Muffler Guard)			Used on Type No(s). 0120, 0192.
729A	691224	Clip–Wire (Aluminum Coated Steel)	842	691031	Seal–O Ring (Dipstick Tube)			

★ Included in Engine Gasket Set–Ref. No.358.

● Included in Carburetor Overhaul Kit–Ref. No. 121 or121A.

◆ Included in Carburetor Gasket Set–Ref. No. 977.

△ Included in Valve Gasket Set–Ref. No 1095.

**Illustrations cover a range of engines. Parts shown without corresponding text may not be used on your specific engine.**

# 31G700

REF. NO.	PART NO.	DESCRIPTION	REF. NO.	PART NO.	DESCRIPTION	REF. NO.	PART NO.	DESCRIPTION
878	691237	Harness-Alternator (Dual Circuit) Used on Type No(s). 0119, 0128, 0151, 0165, 0172, 0181, 0193, 0199, 0253, 0258, 0263, 0290, 0292, 0294.	975	495933	Bowl-Float	1051	691265	Ring-Retaining
878A	691955	Harness-Alternator (Tri Circuit) Used on Type No(s). 0026, 0036, 0112, 0113, 0114, 0115, 0116, 0121, 0123, 0125, 0127, 0166, 0167, 0191, 0196, 0293.	975A	699502	Bowl-Float	1054	280275	Tie-Cable
883	692236	Gasket-Exhaust	977	690192	Gasket Set-Carburetor	1058	275935	Operator's Manual
914	691108	Screw (Rocker Cover)	987	691326	Seal-Throttle Shaft	1059	698516	Kit-Screw/Washer
918	697091	Hose-Vacuum	987A	698777	Seal-Throttle Shaft	1070	690372	Screw (Flywheel Fan)
943	690589	Seal-O Ring (Oil Pump Cover)	1005	697111	Fan-Flywheel Used on Type No(s). 0026, 0036, 0112, 0113, 0114, 0119, 0121, 0123, 0151, 0165, 0167, 0172, 0191, 0192, 0193, 0196, 0263.	1090	691293	Retainer-Brush
947	694393	Solenoid-Fuel	<b>Note</b>			1091	691333	Cap-Limiter
947A	695423	Solenoid-Fuel	1017	690770	Screen-Oil Pump (Push In)	1095	690190	Gasket Set-Valve
950	691657	Screw-Float Bowl	1019	699459	Kit-Label	1119	691183	Screw (Alternator)
958	698183	Valve-Fuel Shut Off (Plastic) Used on Type No(s). 0112.	1022	272475	Gasket-Rocker Cover	1127	695407	Screw (Float Bowl)
965	499613	Cover-Oil Pump	1023	692492	Cover-Rocker	1263	697124	Reed-Breather
967	697015	Filter-Pre Cleaner	1024	499054	Pump-Oil	1264	697104	Screw (Breather Reed)
968	699830	Cover-Air Cleaner (Red) Used on Type No(s). 0026, 0036, 0112, 0113, 0114, 0119, 0120, 0123, 0127, 0128, 0151, 0165, 0167, 0172, 0181, 0191, 0192, 0193, 0196, 0199, 0258, 0263, 0290, 0292, 0293, 0294.	1026	692003	Rod-Push (Intake) <b>Note</b>	1265	697125	Support-Blower Housing
		<b>698403</b> Cover-Air Cleaner (Black) Used on Type No(s). 0115, 0116, 0121, 0125, 0166, 0253.	1027	492932	Filter-Oil	1266	691917	Seal-O Ring (Intake Elbow)
			1029	691751	Arm-Rocker	1266A	697123	Seal-O Ring (Intake Elbow)
			1032	491710	Ball-Oil Pump	1267	697424	Latch-Blower Housing (Red) Used on Type No(s). 0026, 0036, 0112, 0113, 0114, 0119, 0120, 0123, 0127, 0128, 0151, 0165, 0167, 0172, 0181, 0191, 0192, 0193, 0196, 0199, 0258, 0263, 0290, 0292, 0293, 0294.
			1034	690822	Guide-Push Rod	<b>Note</b>		
			1035	693784	Shaft-Pump	1270	697156	Plug-AVS Counterweight
			1036	790464	Label-Emissions (Used After Code Date 04063000) <b>Note</b>	1279	691108	Screw (Blower Housing Support)
					<b>695700</b> Label-Emissions (Used Before Code Date 04070100)	1330	272147	Repair Manual
			1036A	698979	Label-Emissions Used on Type No(s). 0112.			
			1040B	699852	Plate-Trim			
			1044	698139	Screw (Flywheel)			

★ Included in Engine Gasket Set-Ref. No.358.

● Included in Carburetor Overhaul Kit-Ref. No. 121 or 121A.

◆ Included in Carburetor Gasket Set-Ref. No. 977.

△ Included in Valve Gasket Set-Ref. No 1095.

**Illustrations cover a range of engines. Parts shown without corresponding text may not be used on your specific engine.**

5164-12

Assemblies include all parts shown in frames.

11/18/2004