



31E700

Illustrated Parts List

Model Series

31E700

TYPE NUMBERS
0114 THROUGH 0443.

TABLE OF CONTENTS

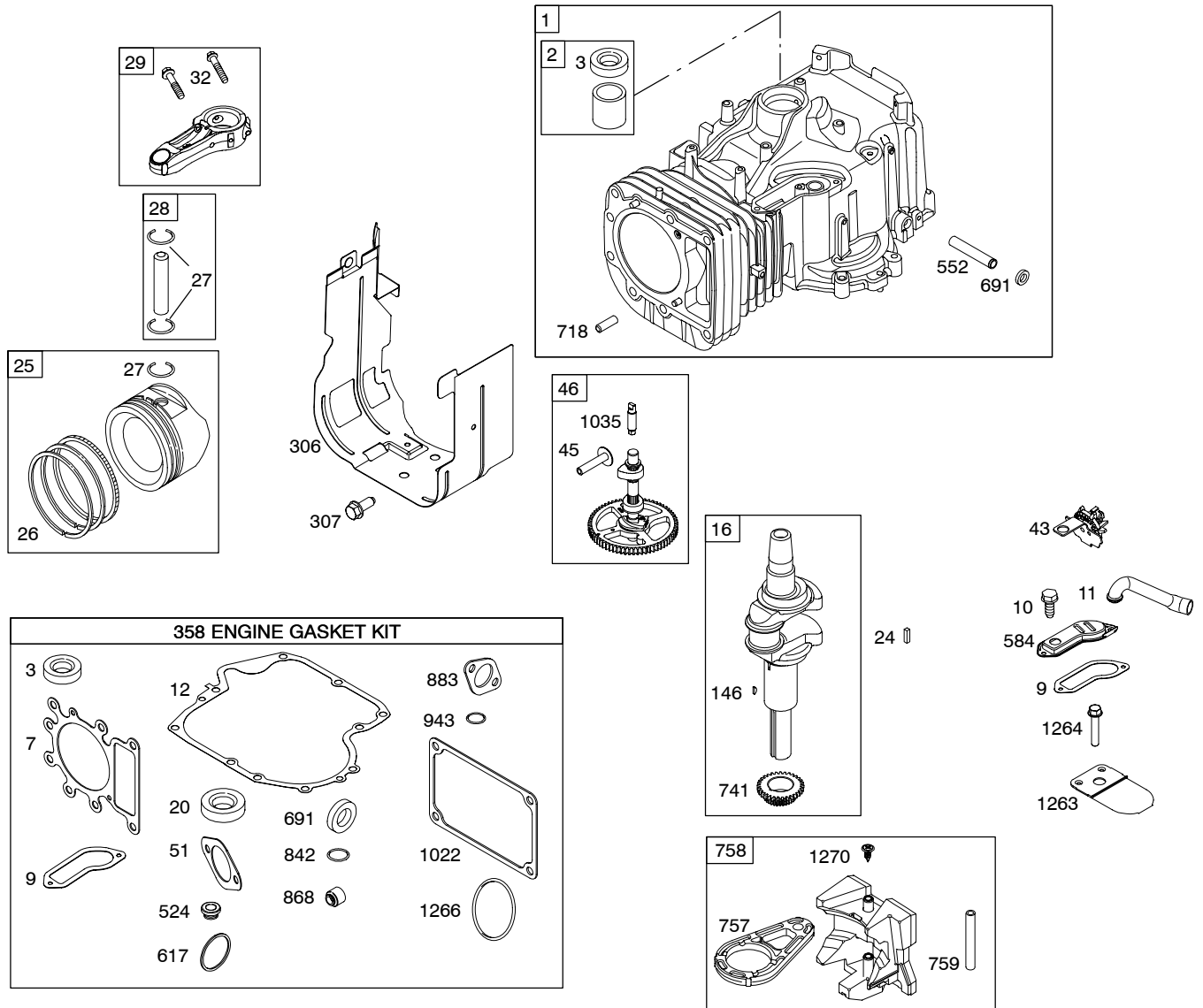
- Air Cleaner 5
- Alternator 7
- Blower Housing 5
- Camshaft 2
- Carburetor 4
- Controls 7
- Crankshaft 2
- Cylinder 2
- Cylinder Head 3
- Electric Starter 7
- Engine Sump 2
- Exhaust System 5
- Flywheel 6
- Fuel Supply 5
- Gasket Set - Engine 2
- Gasket Set - Valve 3
- Governor Spring 7
- Ignition 7
- Intake Manifold 3
- Kit - Carburetor Overhaul 4
- Lubrication 3
- Piston, Rings, Connecting Rod 2
- Valves 3

PRINTED IN U.S.A.



COPYRIGHT by BRIGGS & STRATTON CORPORATION
All rights reserved. No part of this material may be reproduced or transmitted, in any form or by any means, electronic or mechanical, including photocopying, recording or by any information storage and retrieval system, without permission in writing from Briggs & Stratton Corporation.

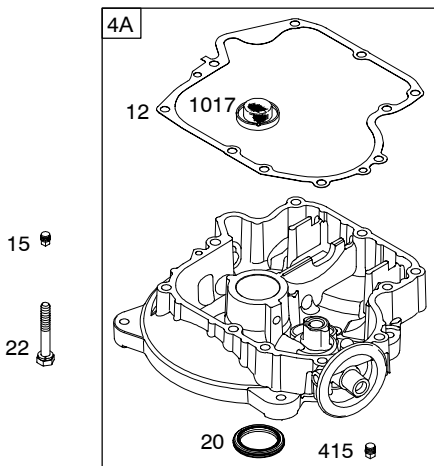
31E700



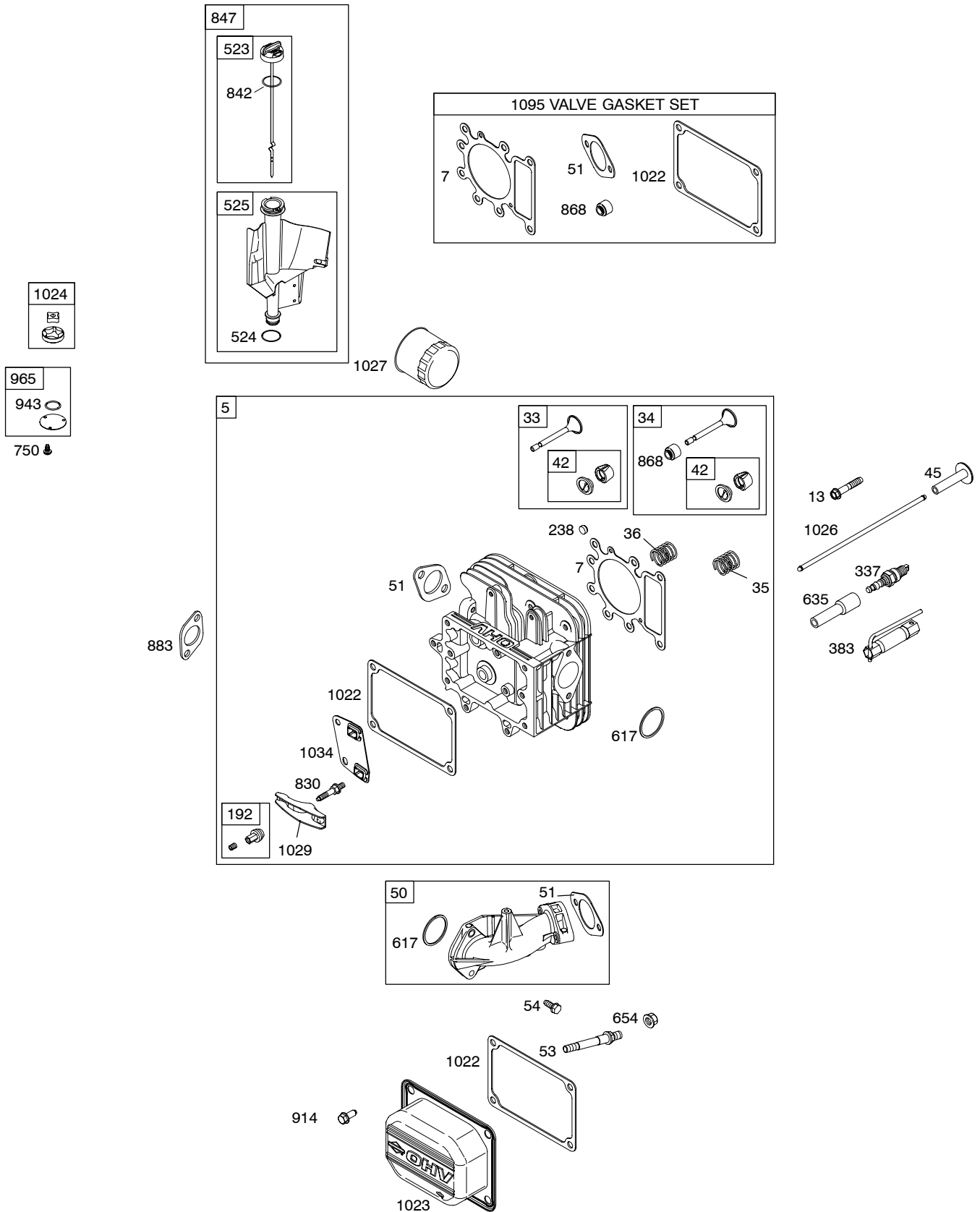
1019 LABEL KIT

1058 OWNER'S MANUAL

1330 REPAIR MANUAL

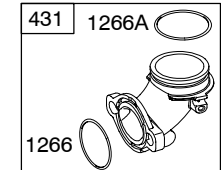
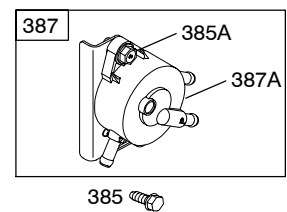
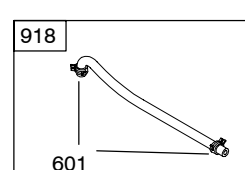
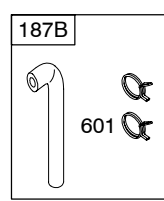
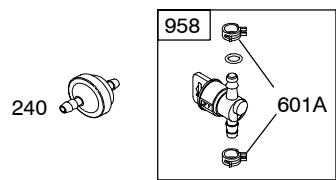
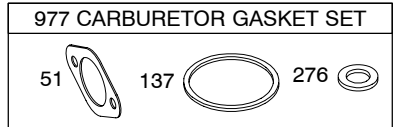
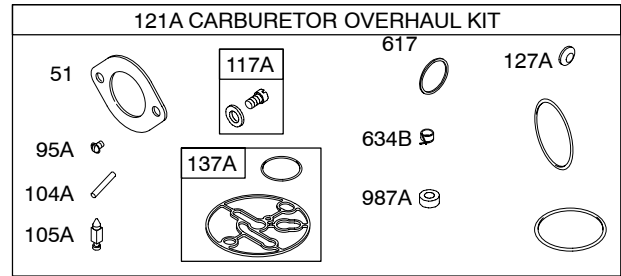
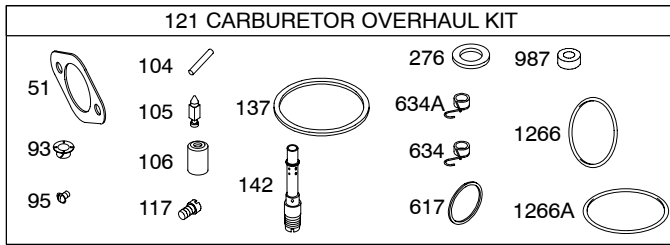
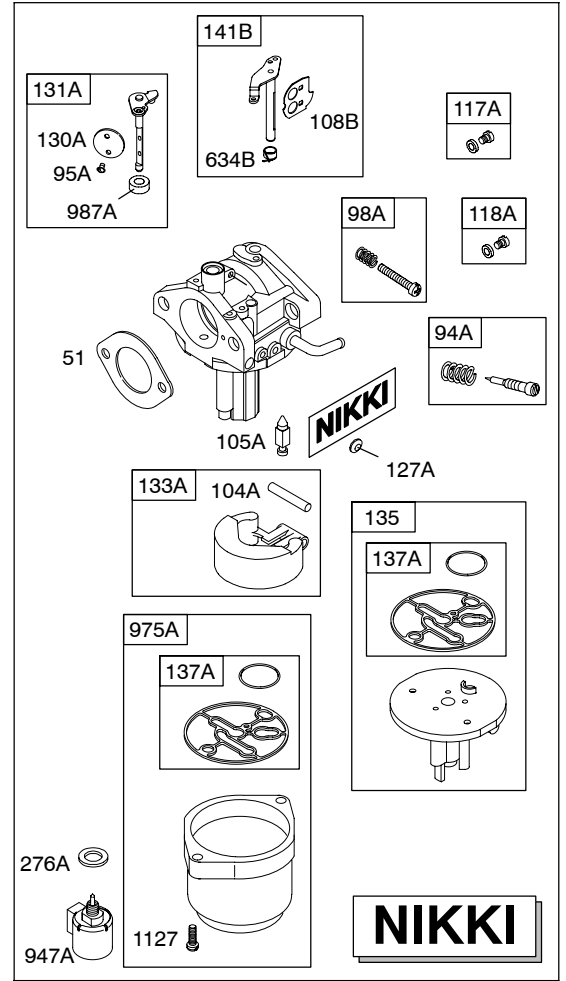
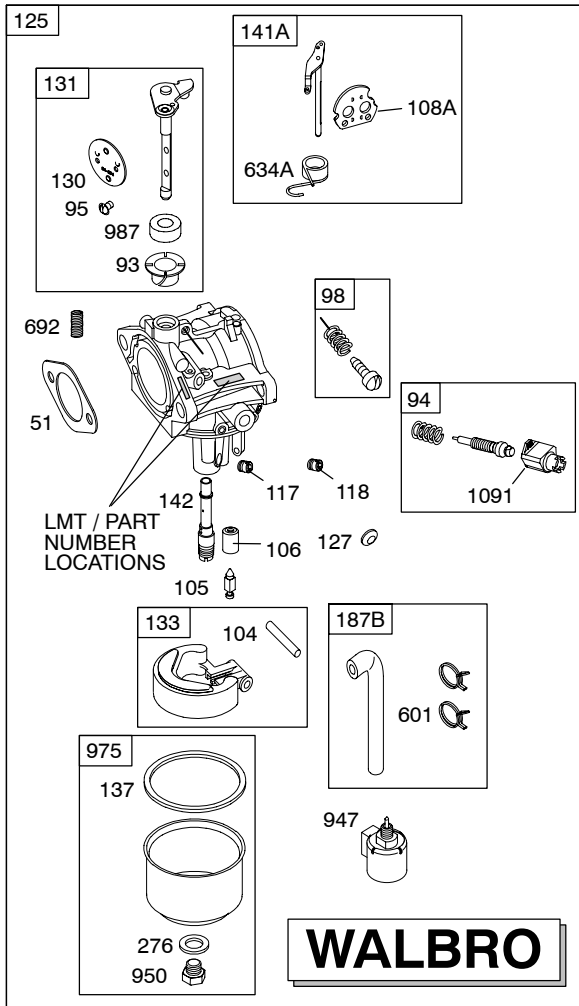


Illustrations cover a range of engines. Parts shown without corresponding text may not be used on your specific engine. 5184-2 Assemblies include all parts shown in frames. 01/02/2006

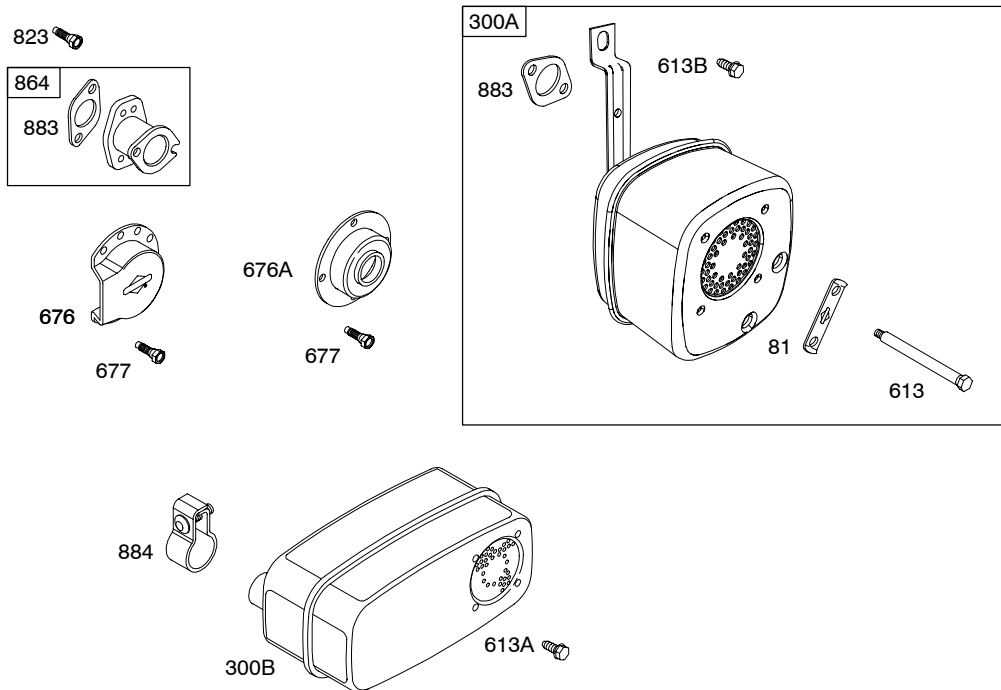
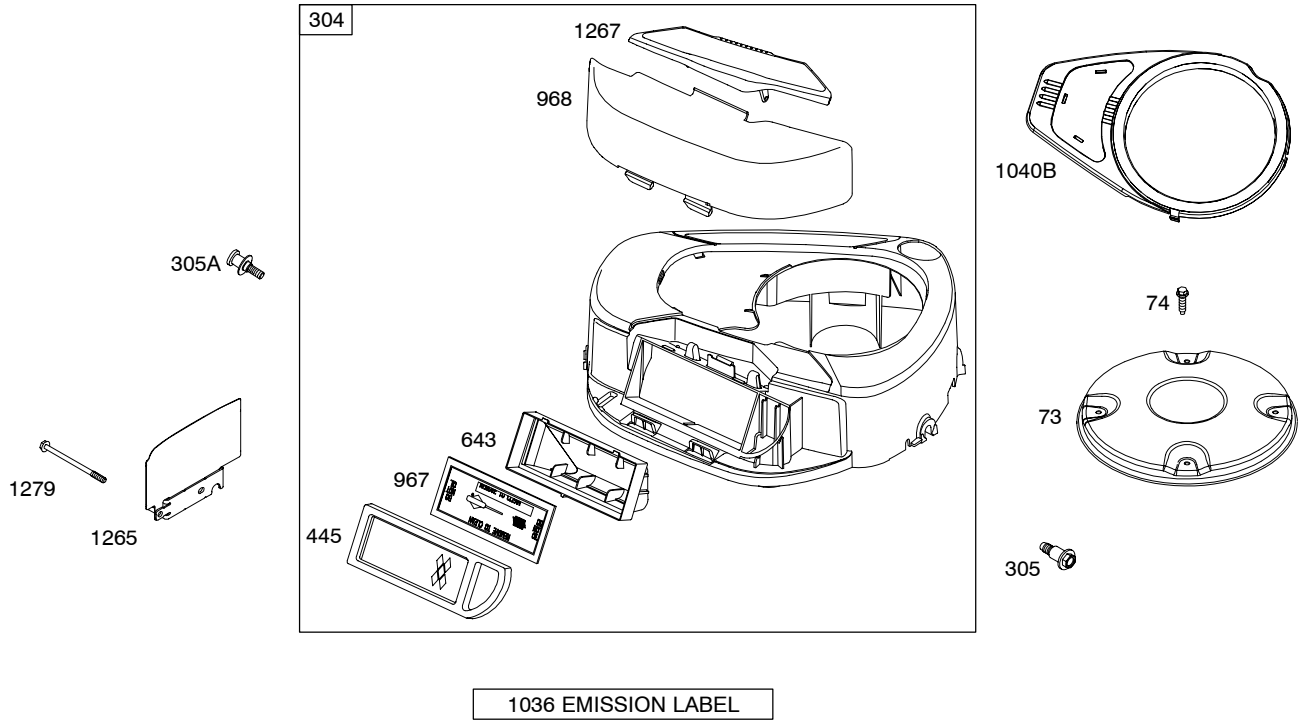


Illustrations cover a range of engines. Parts shown without corresponding text may not be used on your specific engine.
 5184-3 Assemblies include all parts shown in frames. 01/02/2006

31E700

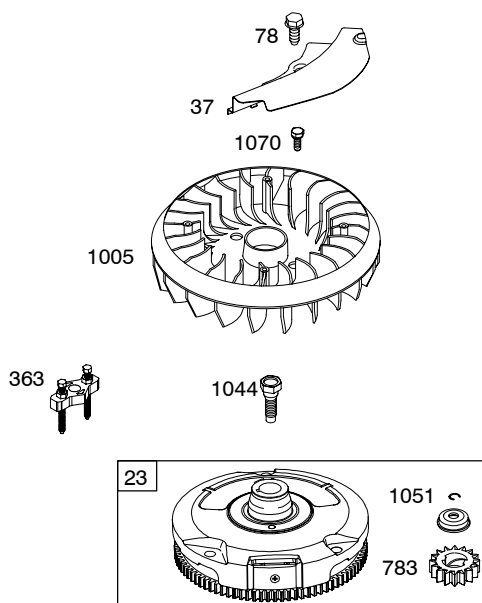


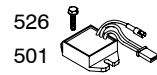
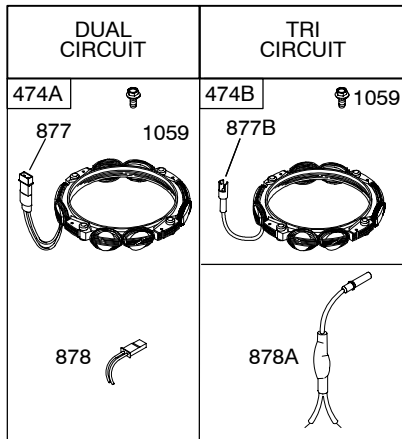
Illustrations cover a range of engines. Parts shown without corresponding text may not be used on your specific engine.




Illustrations cover a range of engines. Parts shown without corresponding text may not be used on your specific engine.

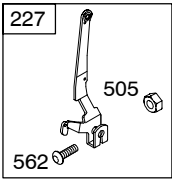
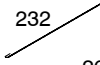
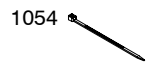
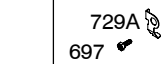
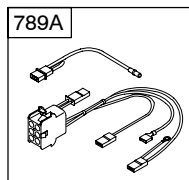
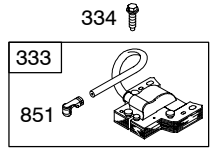
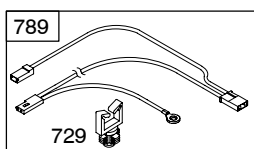
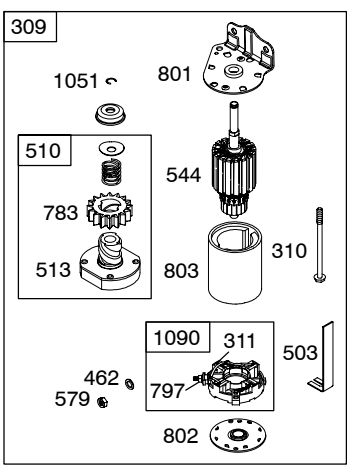
31E700





NOTE: All stators use a No. 1119 mounting screw. 

NOTE: The proper flywheel part number and/or the alternator magnet size will determine the alternator type or output. See repair instruction manual for additional information.



Illustrations cover a range of engines. Parts shown without corresponding text may not be used on your specific engine.
 5184-7 Assemblies include all parts shown in frames. 01/02/2006

31E700

REF. NO.	PART NO.	DESCRIPTION	REF. NO.	PART NO.	DESCRIPTION	REF. NO.	PART NO.	DESCRIPTION
1	697174	Cylinder Assembly	25	792118	Piston Assembly (Standard) (Used After Code Date 06010100).	37	697352	Guard-Flywheel
2	399265	Kit-Bushing/Seal (Magneto Side)				42	499586	Keeper-Valve
3	★391086s	Seal-Oil (Magneto Side)				43	691968	Slinger-Governor/Oil
4A	697188	Sump-Engine				45	690564	Tappet-Valve
5	698148	Head-Cylinder				46	790400	Camshaft
7	★△699168	Gasket-Cylinder Head				50	690193	Manifold-Intake
9	★697109	Gasket-Breather				51★△●692137		Gasket-Intake
10	697157	Screw (Breather Assembly)				53	690227	Stud (Carburetor)
11	697113	Tube-Breather				54	691148	Screw (Intake Manifold)
12	★697110	Gasket-Crankcase (.015" Thick)(Standard)				73	697133	Screen-Rotating
13	690360	Screw (Cylinder Head)				74	697897	Screw (Rotating Screen)
15	690946	Plug-Oil Drain (Square Head)				78	691003	Screw (Flywheel Guard)
16	697127	Crankshaft				81	691178	Lock-Muffler Screw
20	★690947	Seal-Oil (PTO Side)	26	791936	Ring Set (Standard) (Used After Code Date 06010100).	93	●690602	Bushing-Throttle Shaft
22	692125	Screw (Crankcase Cover/Sump)				94	498030	Kit-Idle Mixture
23	790835	Flywheel (Used After Code Date 04072800). ----- Note ----- 693556 Flywheel (Used Before Code Date 04072900). 693557 Flywheel Used on Type No(s). 0378. 790894 Flywheel (Painted Flywheel) Used on Type No(s). 0120.				94A	695425	Kit-Idle Mixture
24	222698s	Key-Flywheel				95	●691636	Screw (Throttle Valve)
						95A	690718	Screw (Throttle Valve)
						98	495800	Kit-Idle Speed
						98A	695408	Kit-Idle Speed
						104	●690525	Pin-Float Hinge
						104A	694918	Pin-Float Hinge
						105	●231855s	Valve-Float Needle
						105A	696136	Valve-Float Needle
						106	●690577	Seat-Inlet (Gravity Feed)(696181, 697203, 697204) ----- Note ----- ●691780 Seat-Inlet (Pump Feed)(696179, 697202)
			27	698469	Lock-Piston Pin	108A	692344	Valve-Choke
			28	697099	Pin-Piston (Standard)	108B	695419	Valve-Choke
			29	791631	Rod-Connecting (Standard) ----- Note ----- 697263 Rod-Connecting (.020" Undersize) (Used Before Code Date 05040400).	117	●694352	Jet-Main (Standard)
						117A	699457	Jet-Main (Standard)
			32	791118	Screw (Connecting Rod)	118	697228	Jet-Main (High Altitude)
			33	695760	Valve-Exhaust	118A	699458	Jet-Main (High Altitude)
			34	695761	Valve-Intake	121	697241	Kit-Carburetor Overhaul (Walbro Carburetor)
			35	691279	Spring-Valve (Intake)	121A	699521	Kit-Carburetor Overhaul (Nikki Carburetor)
			36	691279	Spring-Valve (Exhaust)			

★ Included in Engine Gasket Set-Ref. No.358.

● Included in Carburetor Overhaul Kit-Ref. No. 121 or 121A.

◆ Included in Carburetor Gasket Set-Ref. No. 977.

△ Included in Valve Gasket Set-Ref. No 1095.

Illustrations cover a range of engines. Parts shown without corresponding text may not be used on your specific engine.

31E700

REF. NO.	PART NO.	DESCRIPTION	REF. NO.	PART NO.	DESCRIPTION	REF. NO.	PART NO.	DESCRIPTION
125	791888	Carburetor (Gravity Feed)(Use to replace pump and gravity feed carburetors)	232	691842	Spring-Governor Link	306	697107	Shield-Cylinder
127	695005	Plug-Welch (5/16" Diameter)	238	691843	Cap-Valve	307	691003	Screw (Cylinder Shield)
127A	690727	Plug-Welch	240	691035	Filter-Fuel (Clear, 40 Microns) Used on Type No(s). 0114, 0120.	309	693551	Motor-Starter
130	691750	Valve-Throttle			----- Note -----	310	690323	Screw (Starter Motor)
130A	699500	Valve-Throttle			394358S Filter-Fuel (White, 75 Microns) Used on Type No(s). 0378, 0443.	311	497608	Brush Set
131	790901	Kit-Throttle Shaft	265	691024	Clamp-Casing	333	492341	Armature-Magneto
131A	699501	Kit-Throttle Shaft	267	690804	Screw (Casing Clamp)	334	691061	Screw (Magneto Armature)
133	494381	Float-Carburetor			----- Note -----	337	691043	Plug-Spark (Standard)
133A	694914	Float-Carburetor			792629 Screw (Casing Clamp) Used on Type No(s). 0443.	356	697089	Wire-Stop
135	698780	Tube-Fuel Transfer	268	691025	Casing-Control Wire (Cut To Required Length)	358	697191	Gasket Set-Engine
137	◆281165s	Gasket-Float Bowl	269	691026	Wire-Control (Cut To Required Length)	363	19203	Puller-Flywheel
137A	698781	Gasket-Float Bowl	270	691027	Nut (Control Wire Casing)	383	89838s	Wrench-Spark Plug
141A	790902	Kit-Choke Shaft	271	691028	Lever-Control	385	694476	Screw (Fuel Pump)
141B	698778	Kit-Choke Shaft	276	◆692255	Washer-Sealing	385A	690297	Screw (Fuel Pump)
142	◆697140	Nozzle-Carburetor (Standard)	276A	695410	Washer-Sealing	387	697090	Pump-Fuel (Includes Mounting Bracket)
146	691639	Key-Timing	300A	698356	Muffler Used on Type No(s). 0120.	387A	808656	Pump-Fuel
187B	791805	Line-Fuel (Formed)(10-1/4 Inches Long)(Cut to Required Length)	300B	498984	Muffler Used on Type No(s). 0114.	404	691691	Washer (Governor Crank)
188	691693	Screw (Control Bracket)	304	790929	Housing-Blower (Red) Used on Type No(s). 0114, 0120.	415	690283	Plug (Crankcase Cover/Sump)
192	691986	Adjuster-Rocker Arm			----- Note -----	431	697122	Elbow-Intake
202	691841	Link-Mechanical Governor			698599 Housing-Blower (Black) Used on Type No(s). 0378, 0443.	445	698083	Filter-Air Cleaner Cartridge (Non Washable)
209	690480	Spring-Governor (Red) Used on Type No(s). 0114, 0120.			----- Note -----			697153 Filter-Air Cleaner Cartridge (Washable)
		----- Note -----				462	691261	Washer (Starter Cable)
		260902 Spring- Governor (Silver) Used on Type No(s). 0378.				474A	696459	Alternator (Dual Circuit) Used on Type No(s). 0120, 0378, 0443.
		692208 Spring- Governor (Green) Used on Type No(s). 0443.				474B	696457	Alternator (Tri Circuit) Used on Type No(s). 0114.
216	691840	Link-Choke	305	697102	Screw (Blower Housing)			
222	694042	Bracket-Control	305A	697103	Screw (Blower Housing)			
227	691374	Lever-Governor Control (Standard)						

★ Included in Engine Gasket Set-Ref. No.358.

● Included in Carburetor Overhaul Kit-Ref. No. 121 or 121A.

◆ Included in Carburetor Gasket Set-Ref. No. 977.

△ Included in Valve Gasket Set-Ref. No 1095.

Illustrations cover a range of engines. Parts shown without corresponding text may not be used on your specific engine.

5184-9

Assemblies include all parts shown in frames.

01/02/2006

31E700

REF. NO.	PART NO.	DESCRIPTION	REF. NO.	PART NO.	DESCRIPTION	REF. NO.	PART NO.	DESCRIPTION
501	691188	Regulator	676	393761	Deflector-Muffler Used on Type No(s). 0114.	847	790443	Dipstick/Tube Assembly Used on Type No(s). 0114, 0120.
503	691532	Strap-Starter						----- Note -----
505	691251	Nut (Governor Control Lever)	676A	396603	Deflector-Muffler Used on Type No(s). 0120.			790442 Dipstick/Tube Assembly Used on Type No(s). 0378, 0443.
510	693699	Drive-Starter	677	690661	Screw (Muffler Deflector)	851	692424	Terminal-Spark Plug
513	692024	Clutch-Drive	691	★692407	Seal-Governor Shaft	864	697346	Adapter-Muffler Used on Type No(s). 0114, 0120.
521	690581	Shield-Cable	692	690572	Spring-Detent	868	★Δ690968	Seal-Valve
523	699908	Dipstick	697	690372	Screw (Drive Cap)	877	393456	Wire/Connector- Alternator (Dual Circuit) Used on Type No(s). 0378, 0443.
524	★691032	Seal-Dipstick Tube	718	690959	Pin-Locating	877B	393537	Wire/Connector- Alternator (Tri Circuit) Used on Type No(s). 0114, 0120.
525	697085	Tube-Dipstick Used on Type No(s). 0114, 120. ----- Note ----- 697184 Tube-Dipstick Used on Type No(s). 0378, 0443.	729	691335	Clip-Wire (Wire Saddle)	878	398661	Harness-Alternator (Dual Circuit) Used on Type No(s). 0120, 0378, 0443.
526	697088	Screw (Regulator)	729A	691224	Clip-Wire (Aluminum Coated Steel)	878A	691955	Harness-Alternator (Tri Circuit) Used on Type No(s). 0114.
544	692034	Armature-Starter	741	697128	Gear-Timing	883	★692236	Gasket-Exhaust
552	697144	Bushing-Governor Crank	750	790832	Screw (Oil Pump Cover)	884	691956	Clamp-Muffler
562	691119	Bolt (Governor Control Lever)	757	697607	Link-Counterweight	914	691108	Screw (Rocker Cover)
579	691029	Nut (Starter Cable)	758	697134	Counterweight	918	791851	Hose-Vacuum
584	697112	Cover-Breather Passage	759	697392	Pin-Counterweight	943	★690589	Seal-O Ring (Oil Pump Cover)
601	791850	Clamp-Hose	783	693713	Gear-Pinion	947	694393	Solenoid-Fuel
601A	691038	Clamp-Hose	789	692037	Harness-Wiring Used on Type No(s). 0114, 0120.	947A	699915	Solenoid-Fuel
613	691416	Screw (Muffler)	789A	698329	Harness-Wiring Used on Type No(s). 0378, 0443.	950	691657	Screw-Float Bowl
613A	690297	Screw (Muffler)	797	693167	Nut (Brush Retainer)	958	698183	Valve-Fuel Shut Off (Plastic) Used on Type No(s). 0120.
613B	691678	Screw (Muffler)	801	691283	Cap-Drive	965	499613	Cover-Oil Pump
614	691620	Pin-Cotter	802	691286	Cap-End	967	697015	Filter-Pre Cleaner
616	692012	Crank-Governor	803		Housing-Starter (Not Serviced Separately, Order Starter Motor 693551)			
617	★●692138	Seal-O Ring (Intake Manifold) (697205)	823	698941	Screw (Muffler Adapter)			
634A	●690802	Spring/Seal Assembly	830	691095	Stud-Rocker Arm			
634B	698779	Spring/Seal Assembly	842	★691031	Seal-O Ring (Dipstick Tube)			
635	691909	Boot-Spark Plug						
643	698401	Retainer-Air Filter						
654	690958	Nut (Carburetor)						

★ Included in Engine Gasket Set-Ref. No.358.

● Included in Carburetor Overhaul Kit-Ref. No. 121 or 121A.

◆ Included in Carburetor Gasket Set-Ref. No. 977.

Δ Included in Valve Gasket Set-Ref. No 1095.

Illustrations cover a range of engines. Parts shown without corresponding text may not be used on your specific engine.

31E700

REF. NO.	PART NO.	DESCRIPTION	REF. NO.	PART NO.	DESCRIPTION	REF. NO.	PART NO.	DESCRIPTION
968	699830	Cover-Air Cleaner (Red) (Used After Code Date 04091900). Used on Type No(s). 0114, 0120. ----- Note ----- 697446 Cover-Air Cleaner (Red) (Used Before Code Date 04092000). Used on Type No(s). 0114. 698403 Cover-Air Cleaner (Black) Used on Type No(s). 0378, 0443.	1027	492932	Filter-Oil			Date 04092400)
			1029	691751	Arm-Rocker	1266	★●691917	Seal-O Ring (Intake Elbow)
			1034	690822	Guide-Push Rod	1266A	●697123	Seal-O Ring (Intake Elbow)
			1035	693784	Shaft-Pump	1267	697424	Latch-Blower Housing (Red) (Used After Code Date 04091900). Used on Type No(s). 0114, 0120. ----- Note -----
			1036		Label-Emissions (Available from an Authorized Briggs & Stratton Service Dealer)			697662 Latch-Blower Housing (Red) (Used Before Code Date 04092000) Used on Type No(s). 0114.
			1040B	699852	Plate-Trim (Used After Code Date 04091900).			697419 Latch-Blower Housing (Black) Used on Type No(s). 0378, 0443.
			1044	698139	Screw (Flywheel)	1270	697156	Plug-AVS Counterweight
			1051	691265	Ring-Retaining	1279	691108	Screw (Blower Housing Support) (Used Before Code Date 14092000)
			1054	280275	Tie-Cable	1330	272147	Repair Manual
			1058	276344	Operator's Manual			
			1059	698516	Kit-Screw/Washer			
			1070	690372	Screw (Flywheel Fan)			
975	495933	Bowl-Float	1090	691293	Retainer-Brush			
975A	699502	Bowl-Float	1091	691333	Cap-Limiter			
977	690192	Gasket Set-Carburetor	1095	690190	Gasket Set-Valve			
987	●691326	Seal-Throttle Shaft	1119	691183	Screw (Alternator)			
987A	698777	Seal-Throttle Shaft	1127	695407	Screw (Float Bowl)			
1005	699043	Fan-Flywheel	1263	697124	Reed-Breather			
1017	690770	Screen-Oil Pump (Push In)	1264	697104	Screw (Breather Reed)			
1019	699196	Kit-Label	1265	697125	Support-Blower Housing (Used Before Code			
1022	★Δ272475	Gasket-Rocker Cover						
1023	791079	Cover-Rocker						
1024	499054	Pump-Oil						
1026	692003	Rod-Push (Intake) ----- Note ----- 692011 Rod-Push (Exhaust)						

★ Included in Engine Gasket Set-Ref. No.358.

● Included in Carburetor Overhaul Kit-Ref. No. 121 or 121A.

◆ Included in Carburetor Gasket Set-Ref. No. 977.

Δ Included in Valve Gasket Set-Ref. No 1095.

Illustrations cover a range of engines. Parts shown without corresponding text may not be used on your specific engine.