

**312700**

# Illustrated Parts List

## Model Series

# 312700

TYPE NUMBERS  
0101 through 0151.

### TABLE OF CONTENTS

Air Cleaner .....	7
Alternator .....	9
Blower Housing .....	6
Cam .....	3
Carburetor .....	5
Controls .....	9
Crankcase Cover/Sump .....	2
Crankshaft .....	3
Cylinder .....	2
Electric Starter .....	8
Flywheel .....	8
Fuel .....	7
Head .....	4
Ignition .....	9
Kits/Gaskets – Carburetor .....	5
Kits/Gaskets – Engine .....	2
Kits/Gaskets – Valve .....	4
Muffler .....	7
Oil .....	3
Piston .....	3



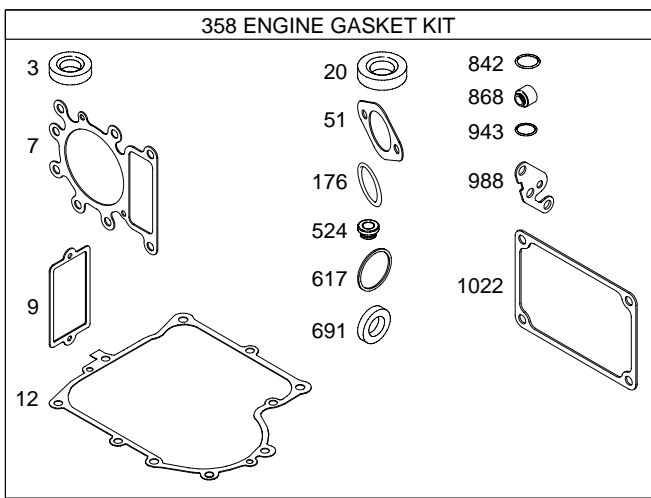
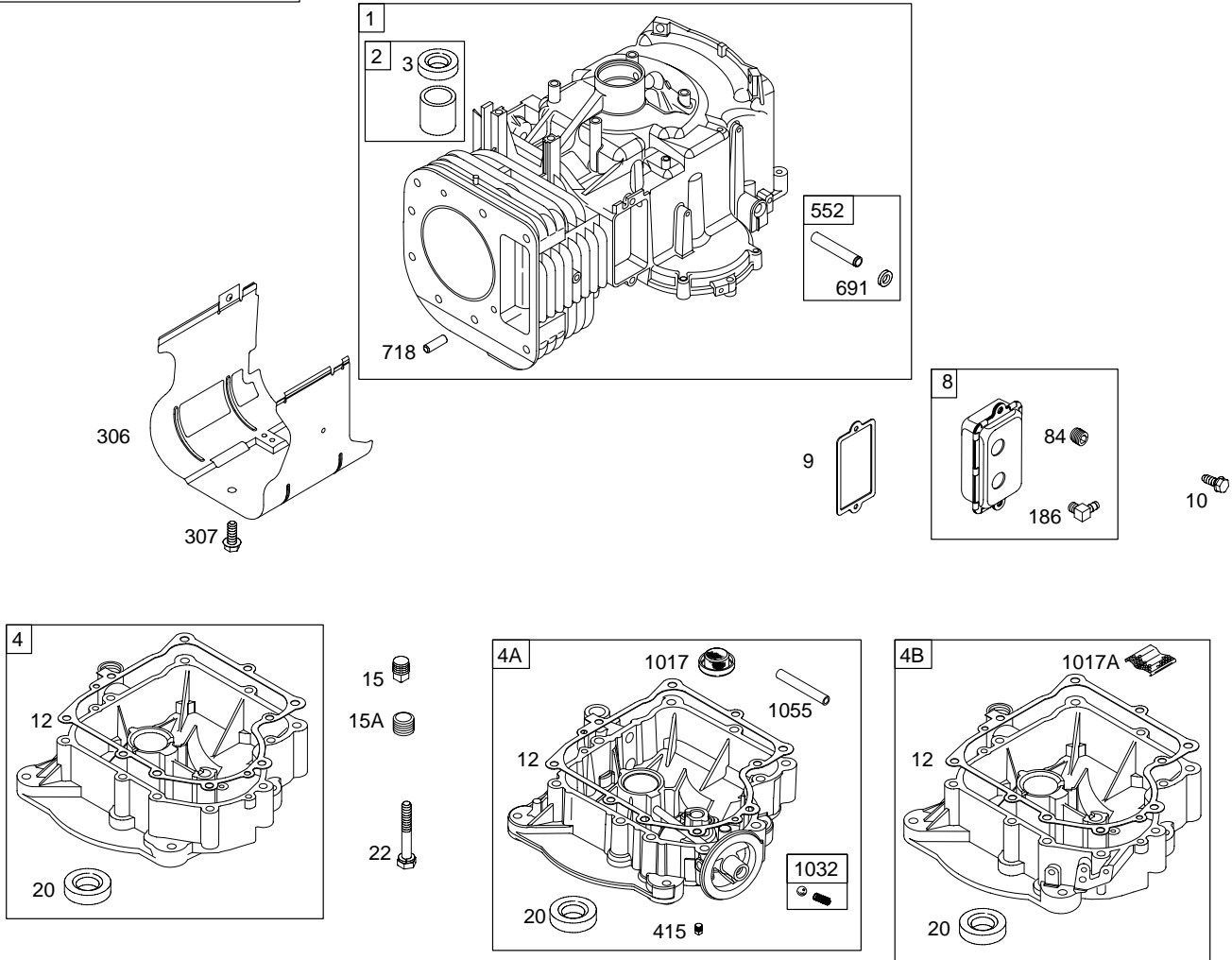
PRINTED IN U.S.A.

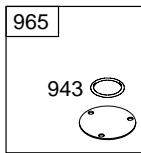
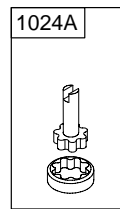
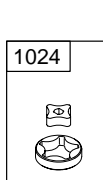
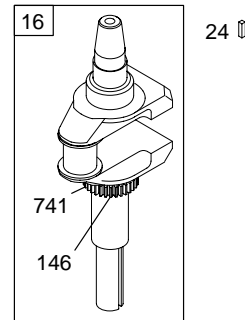
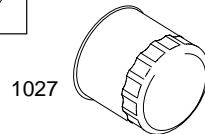
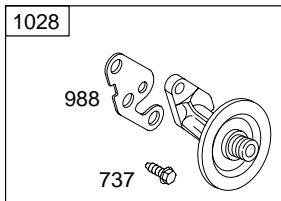
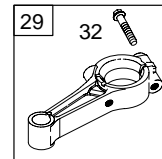
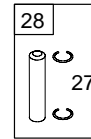
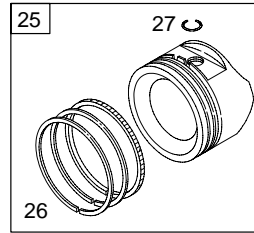
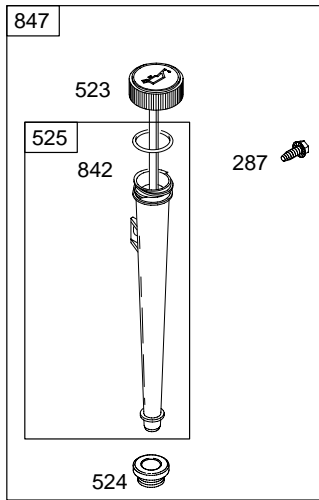
COPYRIGHT by BRIGGS & STRATTON CORPORATION  
 All rights reserved. No part of this material may be reproduced or transmitted, in any form or by any means, electronic or mechanical, including photocopying, recording or by any information storage and retrieval system, without permission in writing from Briggs & Stratton Corporation.

# 312700

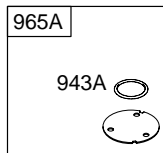
1058 OPERATOR'S MANUAL

1330 REPAIR MANUAL

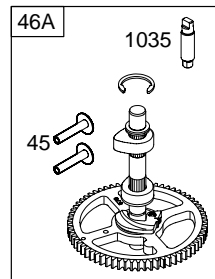
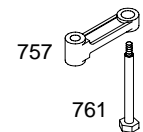
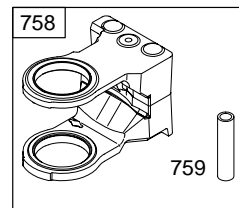




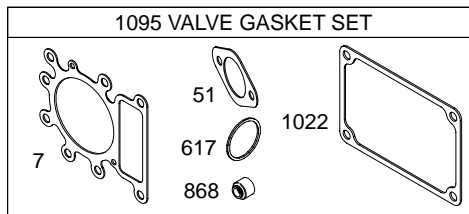
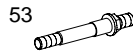
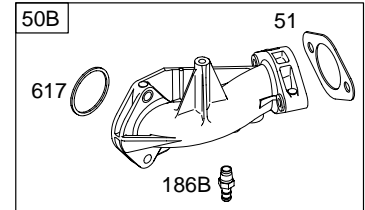
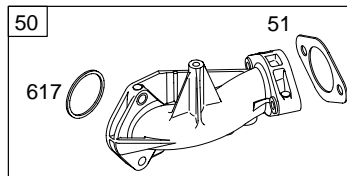
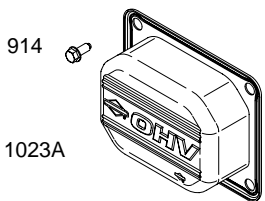
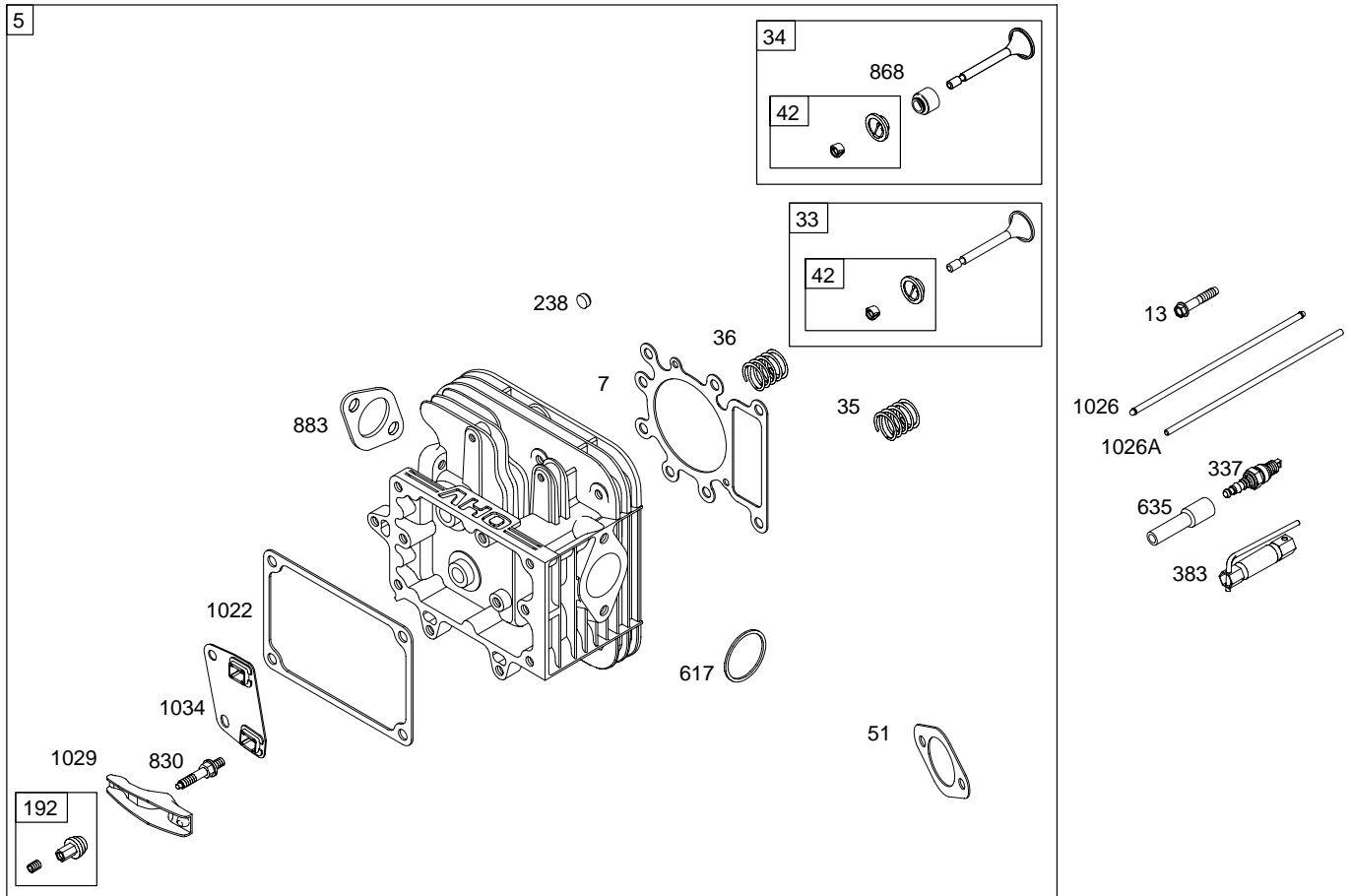
750



750A

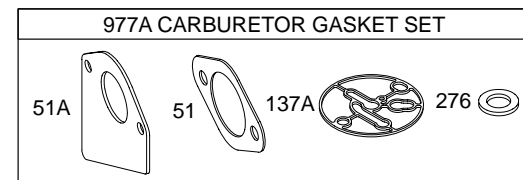
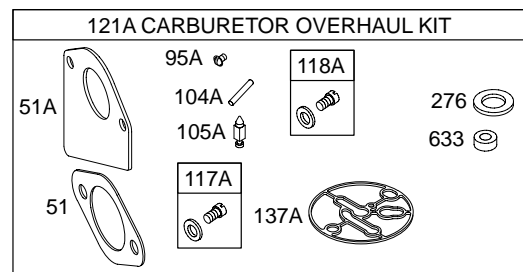
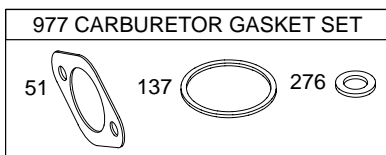
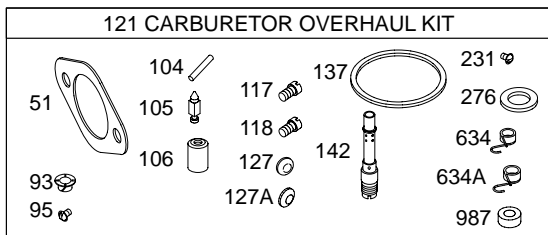
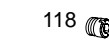
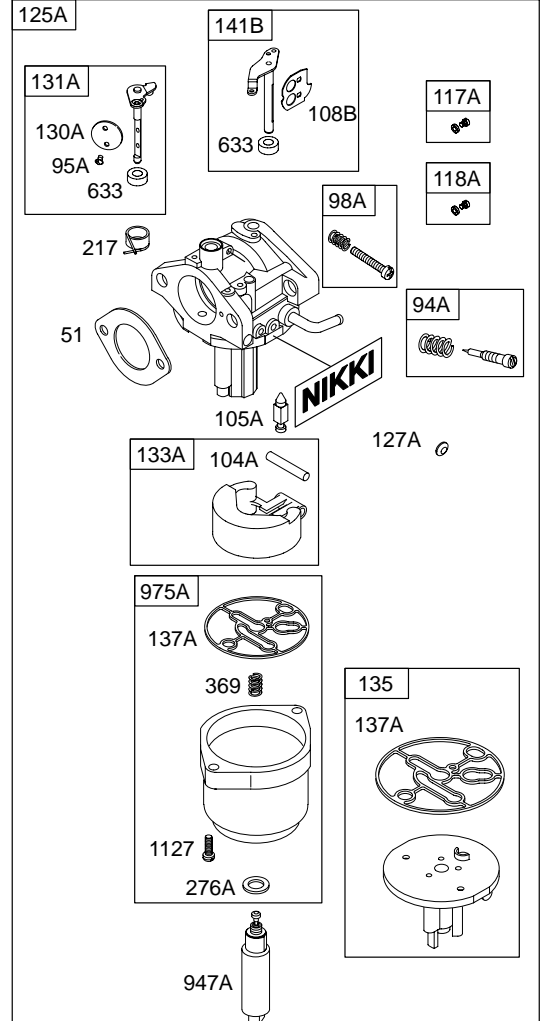
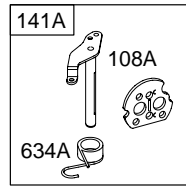
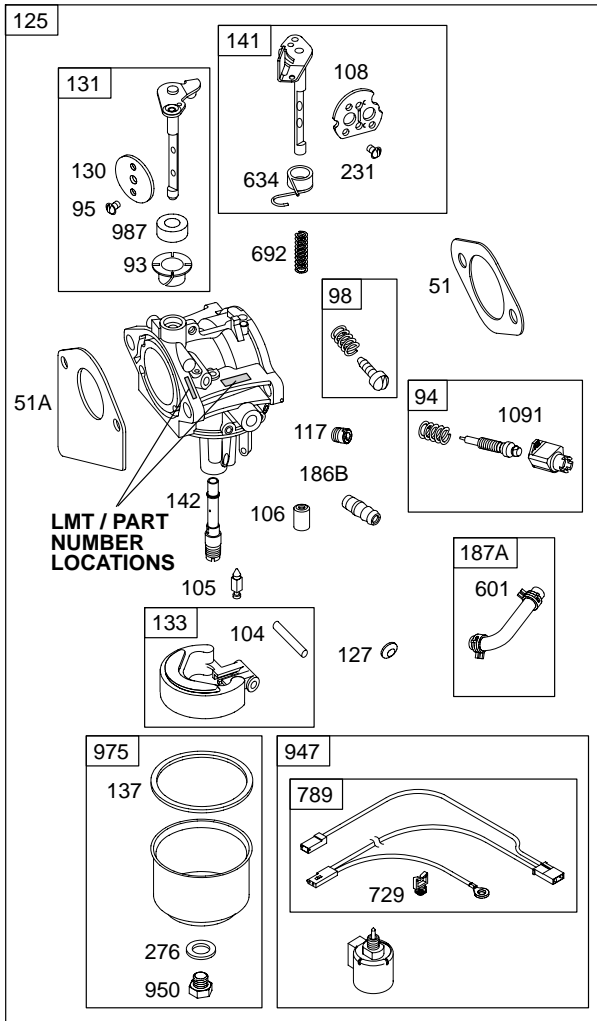


# 312700



**WALBRO**

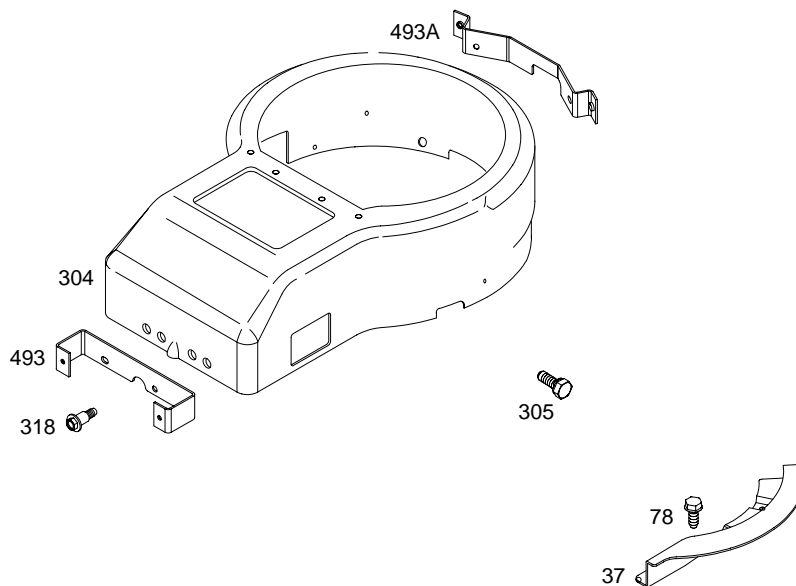
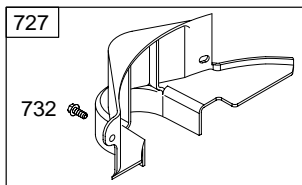
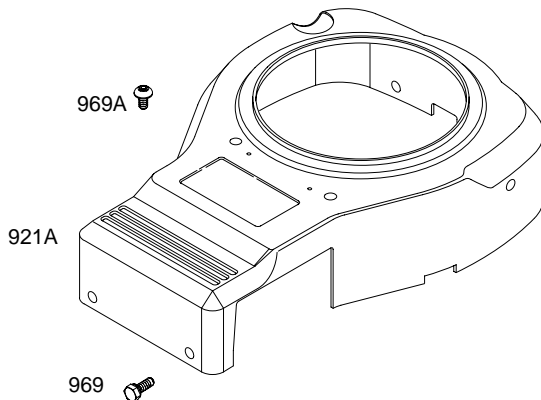
**NIKKI**

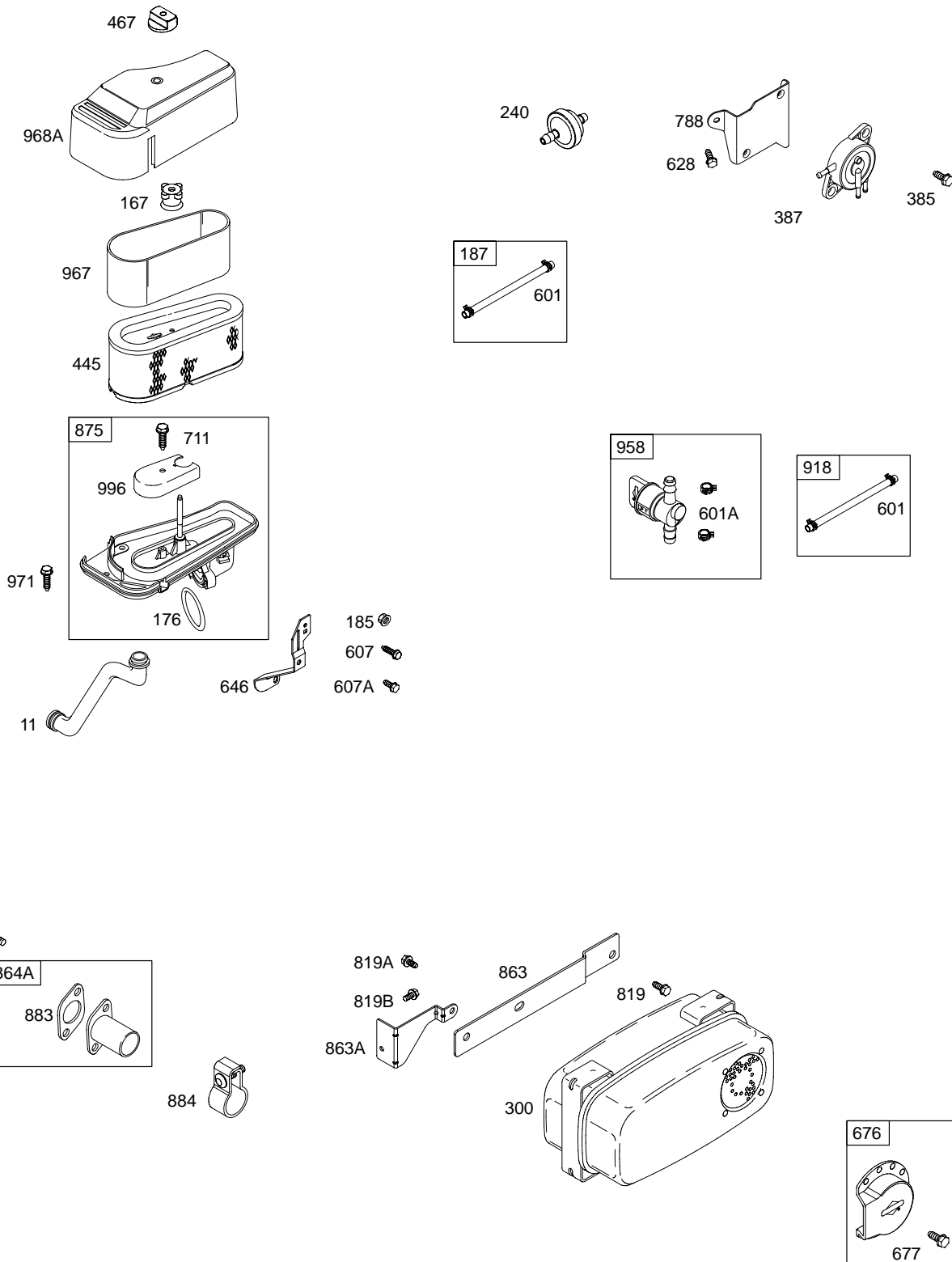


# 312700

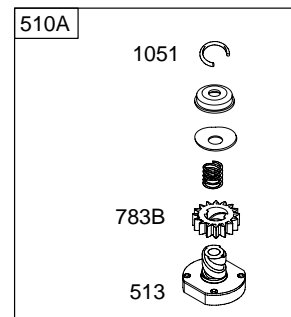
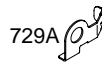
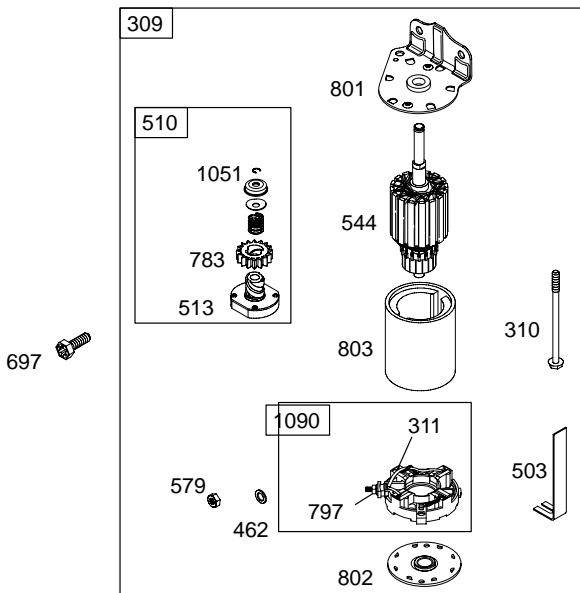
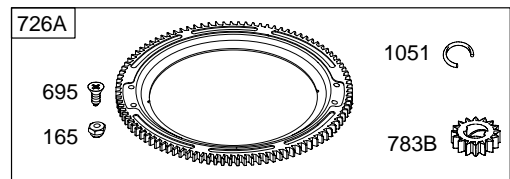
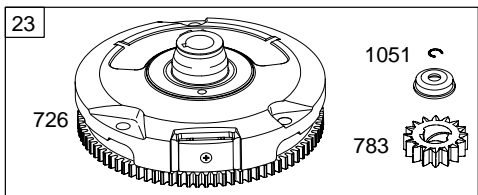
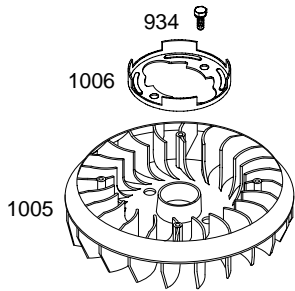
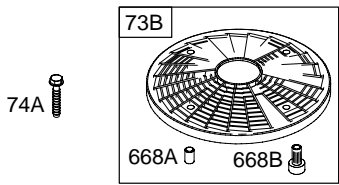
1019 LABEL KIT

1036 EMISSION LABEL

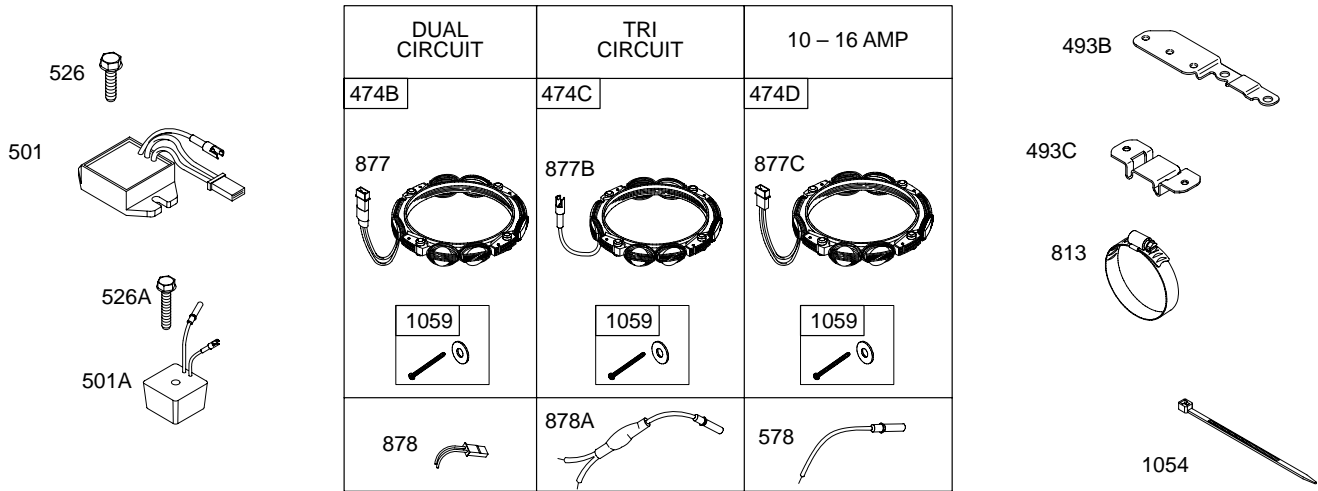




# 312700

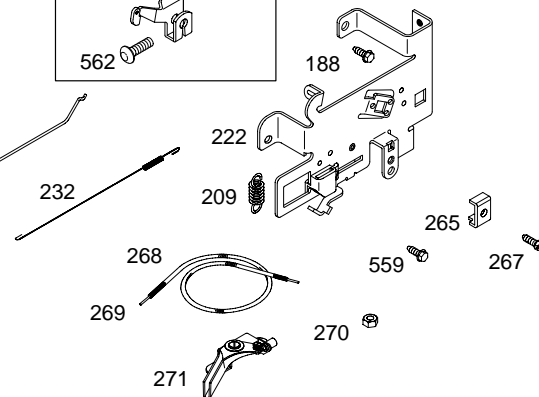
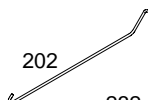
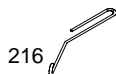
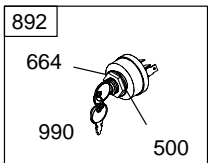
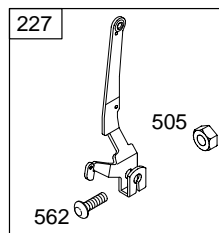
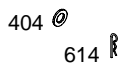
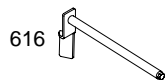
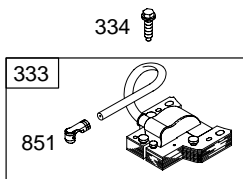
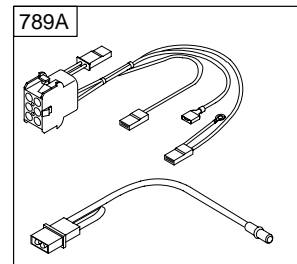
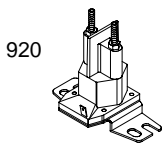






**NOTE:** All stators use Reference 1119 mounting screw.

**NOTE:** The proper flywheel part number and/or the alternator magnet size will determine the alternator type or output. See repair instruction manual for additional information.



# 312700

REF. NO.	PART NO.	DESCRIPTION	REF. NO.	PART NO.	DESCRIPTION	REF. NO.	PART NO.	DESCRIPTION
1	690156	Cylinder Assembly	20	★291675	Seal–Oil (PTO Side)			498320 Pin–Piston (.005" Oversize)
2	399265	Kit–Bushing/Seal (Magneto Side)	22	692125	Screw (Crankcase Cover/Sump)	29	692419	Rod–Connecting (Standard)
3	★391086	Seal–Oil (Magneto Side)						————— <b>Note</b> —————
4	494238	Sump–Engine Used on Type No(s). 0136.	23	693557	Flywheel (Steel Ring Gear)			692420 Rod– Connecting (.020" Undersize)
4A	693582	Sump–Engine (Used After Code Date 98063000).			693556 Flywheel (Steel Ring Gear) Used on Type No(s). 0101, 0127, 0129, 0131, 0134, 0136, 0150, 0151.	32	692852	Screw (Connecting Rod)
4B	496742	Sump–Engine (Used Before Code Date 98070100).				33	695760	Valve–Exhaust
5	698148	Head–Cylinder	24	222698	Key–Flywheel	34	695761	Valve–Intake
7	Δ★699168	Gasket–Cylinder Head	25	692271	Piston Assembly (Standard)	35	691279	Spring–Valve (Intake)
8	696126	Breather Assembly			————— <b>Note</b> —————	36	691279	Spring–Valve (Exhaust)
9	★27803	Gasket–Breather			692273 Piston Assembly (.020" Oversize)	37	690456	Guard–Flywheel
10	691666	Screw (Breather Assembly)			692274 Piston Assembly (.030" Oversize)	42	499586	Keeper–Valve
11	691328	Tube–Breather				43	691968	Slinger–Governor/Oil
12	★692226	Gasket–Crankcase (.015" Thick, Standard)				45	690564	Tappet–Valve
		————— <b>Note</b> —————				46A	698492	Camshaft (Used After Code Date 02111700).
		★692406 Gasket– Crankcase (.005" Thick)	26	690162	Ring Set (Standard)			————— <b>Note</b> —————
		★692405 Gasket– Crankcase (.009" Thick)			690164 Ring Set (.010" Oversize)	50	690193	Manifold–Intake
13	690360	Screw (Cylinder Head)			690166 Ring Set (.020" Oversize)	50B	695653	Manifold–Intake Used on Type No(s). 0127.
15	690946	Plug–Oil Drain (Standard)			690168 Ring Set (.030" Oversize)	51	■692137	Gasket–Intake
15A	691680	Plug–Oil Drain (Flush)	27	691299	Lock–Piston Pin	51A	■692284	Gasket–Intake
16	690136	Crankshaft	28	498319	Pin–Piston (Standard)	53	690227	Stud (Carburetor)
					————— <b>Note</b> —————	54	691148	Screw (Intake Manifold)

★ Engine Gasket Set–Reference 358  
● Carburetor Overhaul Kit–Reference 121.

◆ Carburetor Gasket Set–Reference 977  
∅ Valve Gasket Set–Reference 1095.

REF. NO.	PART NO.	DESCRIPTION	REF. NO.	PART NO.	DESCRIPTION	REF. NO.	PART NO.	DESCRIPTION
73B	494439	Screen—Rotating	127	●695005	Plug—Welch	188	691693	Screw
74A	698425	Screw (Rotating Screen)	127A	●690727	Plug—Welch			(Control Bracket)
78	697561	Screw (Flywheel Guard)	130	691750	Valve—Throttle	192	691986	Adjuster—Rocker Arm
84	690343	Plug—Breather	130A	695418	Valve—Throttle	202	691841	Link—Mechanical Governor
93	690602	Bushing— Throttle Shaft	131	494379	Kit—Throttle Shaft	209	692208	Spring—Governor (Green)
94	498030	Kit—Idle Mixture	131A	695421	Kit—Throttle Shaft			————— <b>Note</b> —————
94A	695425	Kit—Idle Mixture	133	494381	Float—Carburetor			<b>690480</b> Spring—Governor (Red)
95	●691636	Screw (Throttle Valve)	133A	694914	Float—Carburetor			Used on Type No(s). 0129, 0131, 0134.
95A	●690718	Screw (Throttle Valve)	135	696142	Tube—Fuel Transfer	216	691840	Link—Choke
98	495800	Kit—Idle Speed	137	●◆281165	Gasket—Float Bowl	217	695409	Spring—Choke Return
98A	695408	Kit—Idle Speed	137A	●◆695426	Gasket—Float Bowl	222	694042	Bracket—Control
104	●690525	Pin—Float Hinge	141	495097	Kit—Choke Shaft (LMT 154, 155, 697481, 697482)	227	691374	Lever—Governor Control (Standard)
104A	●694918	Pin—Float Hinge	141A	495931	Kit—Choke Shaft (LMT 153, 156, 697480, 697483)	231	●691636	Screw (Choke Valve)
105	●231855	Valve—Float Needle	141B	695420	Kit—Choke Shaft	232	691842	Spring—Governor Link
105A	●694922	Valve—Float Needle	142	●692412	Nozzle—Carburetor (Standard)	238	691843	Cap—Valve
106	●690577	Seat—Inlet (Gravity Feed)	146	691639	Key—Timing	240	298090	Fuel Filter (Red)
		————— <b>Note</b> —————	165	693148	Nut (Ring Gear)			————— <b>Note</b> —————
		●691780 Seat—Inlet (Pump Feed)	167	692297	Seal—Air Cleaner Nut			<b>394358</b> Filter—Fuel (White)
108	690464	Valve—Choke (Manual Choke) (LMT 155, 156)	176	★691917	Seal—O Ring (Air Cleaner Base)	265	691024	Clamp—Casing
108A	692344	Valve—Choke (Choke A Matic) (LMT 153, 154)	185	690958	Nut (Air Cleaner Base)	267	690804	Screw (Casing Clamp)
108B	695419	Valve—Choke (Gravity Feed)	186	691609	Connector—Hose (Breather Assembly)	268	691025	Casing—Control Wire (Cut to Required Length)
117	●692408	Jet—Main (Standard)	186A	692317	Connector—Hose (Carburetor)	269	691026	Wire—Control (Cut to Required Length)
117A	●695415	Jet—Main (Standard)	186B	691764	Connector—Hose (Carburetor)	270	691027	Nut (Control Wire Casing)
118	692411	Jet—Main (High Altitude)	187	691050	Line—Fuel (Cut to Required Length)	271	691028	Lever—Control
118A	●695416	Jet—Main (High Altitude)	187A	698417	Line—Fuel (Formed) (10 1/4 Inches Long) (Cut to Required Length)	276	●◆692255	Washer—Sealing
121	690191	Kit—Carburetor Overhaul				276A	●◆695410	Washer—Sealing
121A	695427	Kit—Carburetor Overhaul				287	691002	Screw (Dipstick Tube)
125	698620	Carburetor (LMT 154, 155, 697481, 697482)						
		————— <b>Note</b> —————						
		<b>698782</b> Carburetor (LMT 153, 156, 697480, 697483)						
125A		Carburetor (Nikki Carburetor, Service With Walbro Carburetor)						

★ Engine Gasket Set—Reference 358  
● Carburetor Overhaul Kit—Reference 121.

◆ Carburetor Gasket Set—Reference 977  
Ø Valve Gasket Set—Reference 1095.

# 312700

REF. NO.	PART NO.	DESCRIPTION	REF. NO.	PART NO.	DESCRIPTION	REF. NO.	PART NO.	DESCRIPTION
300	690850	Muffler Used on Type No(s). 0129, 0130, 0131, 0134.	415	690283	Plug (Used in Engine Sump as Oil Pressure Switch Plug and Intake Manifold as Vacuum Plug)			(Used With Aluminum and Plastic Ring Gears)
304	690497	Housing—Blower (Black)				513	692024	Clutch—Drive
305	691108	Screw (Blower Housing)	445	496894	Filter—Air Cleaner Cartridge	521	690581	Shield—Cable
306	698454	Shield—Cylinder	462	691261	Washer (Starter Cable)	523	692014	Dipstick
307	691003	Screw (Cylinder Shield)	467	691668	Knob—Air Cleaner	524	★281370	Seal—Dipstick Tube
309	693551	Motor—Starter (Steel Ring Gear Only)	474B	696459	Alternator (Dual Circuit)	525	691398	Tube—Dipstick
		<b>Note</b>	474C	696457	Alternator (Tri—Circuit)	526	692598	Screw (Regulator)
		497595 Motor—Starter (Plastic Ring Gear Only)				526A	694476	Screw (Regulator)
		693054 Motor—Starter (Aluminum Ring Gear Only)	474D	696458	Alternator (10 To 16 Amp Regulated)	544	692034	Armature—Starter
310	690323	Bolt (Starter Motor)				552	491986	Bushing—Governor Crank
311	497608	Brush Set				559	693675	Screw (Remote Choke Stop)
318	692127	Screw (Mounting Bracket)				562	691119	Bolt (Governor Control Lever)
333	492341	Armature—Magneto				578	692306	Wire Assembly
334	691061	Screw (Magneto Armature)	493	690493	Bracket—Mounting (Blower Housing Front)	579	691029	Nut (Starter Cable)
337	491055	Plug—Spark	493A	690494	Bracket—Mounting (Blower Housing Rear)	601	95162	Clamp—Hose
		<b>Note</b>	493B	694475	Bracket—Mounting	601A	691038	Clamp—Hose
		691043 Plug—Spark Used on Type No(s). 0136, 0151.	493C	691177	Bracket—Mounting	607	690703	Screw (Air Cleaner Brace)
358	690189	Gasket Set—Engine	500	691086	Washer (Key Switch)	607A	691693	Screw (Air Cleaner Brace)
363	19203	Puller—Flywheel	501	691185	Regulator	614	691620	Pin—Cotter
369	695422	Spring—Float Bowl	501A	691188	Regulator	616	692012	Crank—Governor
383	89838	Wrench—Spark Plug	503	691532	Strap—Starter	617	Δ★692138	Seal—O Ring (Intake Manifold)
385	691108	Screw (Fuel Pump)	505	691251	Nut (Governor Control Lever)	628	690661	Screw (Fuel Pump Bracket)
387	808656	Pump—Fuel				633	●695414	Seal—Choke/Throttle Shaft
404	691691	Washer (Governor Crank)	510	693699	Drive—Starter (Used With Steel Ring Gear)	634	●690801	Spring/Seal Assembly (LMT 153, 156, 697480, 697483)
			510A	696451	Drive—Starter	634A	●690802	Spring/Seal Assembly (LMT 154, 155, 697481, 697482)

★ Engine Gasket Set—Reference 358  
● Carburetor Overhaul Kit—Reference 121.

◆ Carburetor Gasket Set—Reference 977  
∅ Valve Gasket Set—Reference 1095.

**312700**

REF. NO.	PART NO.	DESCRIPTION	REF. NO.	PART NO.	DESCRIPTION	REF. NO.	PART NO.	DESCRIPTION
635	691909	Boot-Spark Plug			(Oil Pump Cover)	830	691095	Stud-Rocker Arm
646	690460	Brace-Air Cleaner			(Used After Code Date 98063000).	842	★691870	Seal-O Ring (Dipstick Tube)
664	691087	Nut (Key Switch)	750A	691108	Screw (Oil Pump Cover)	847	496415	Dipstick/Tube Assembly
668A	691215	Spacer			(Used Before Code Date 98070100).	851	692424	Terminal-Spark Plug
668B	691500	Spacer (Used Before Code Date 00040300).	757	691714	Link-Counterweight	863	691204	Bracket-Muffler (Lower)
676	393761	Deflector-Muffler (Side Out)	758	692423	Counterweight	863A	691205	Bracket-Muffler
677	690661	Screw (Muffler Deflector)	759	691239	Pin-Counterweight	864A	496750	Adapter-Muffler Used on Type No(s). 0129, 0130, 0131, 0134.
691	★692407	Seal-Governor Shaft	761	691096	Screw (Counterweight)			
692	690572	Spring-Detent	783	693713	Gear-Pinion (Steel Ring Gear Only)	868	Δ★690968	Seal-Valve
695	693109	Screw (Ring Gear)	783B	695708	Gear-Pinion (For Aluminum and Plastic Ring Gears)	875	696129	Base-Air Cleaner
697	690372	Screw (Drive Cap)	788	692133	Bracket-Fuel Pump	877	393456	Wire/Connector-Alternator (Dual Circuit)
711	690703	Screw (Carburetor Shield)	789	692037	Harness-Wiring	877B	393537	Wire/Connector-Alternator (Tri-Circuit) Used on Type No(s). 0101, 0129, 0130, 0131, 0134.
718	690959	Pin-Locating	789A	698329	Harness-Wiring Used on Type No(s). 0127.			
726		Gear-Ring (Steel) (Sold In Flywheel Kit, Reference 23, Only)	797	693167	Nut (Brush Retainer)	877C	399916	Wire/Connector-Alternator (10-16 Amp) Used on Type No(s). 0127, 0136, 0150, 0151.
726A	696537	Gear-Ring (Aluminum) (Services Plastic Ring Gear Only)	801	691283	Cap-Drive			
727	490324	Cover-Starter Drive	802	691286	Cap-End			
729	691335	Clip-Wire	803	693757	Housing-Starter			
729A	691224	Clip-Wire	813	690635	Clamp (Used Before Code Date 99070600).			
732	691002	Screw (Starter Drive Cover)	819	690297	Screw (Muffler Bracket)	878	691237	Harness-Alternator (Dual Circuit)
737	691118	Screw (Oil Filter Adapter)	819A	691678	Screw (Muffler Bracket)	878A	691955	Harness-Alternator (Tri-Circuit)
741	691284	Gear-Timing	819B	691676	Screw (Muffler Bracket)	883	★692236	Gasket-Exhaust
750	691033	Screw	823	698941	Screw (Muffler Adapter)	884	690853	Clamp-Muffler
						892	692318	Switch-Key

★ Engine Gasket Set-Reference 358  
 ● Carburetor Overhaul Kit-Reference 121.

◆ Carburetor Gasket Set-Reference 977  
 ∅ Valve Gasket Set-Reference 1095.

# 312700

REF. NO.	PART NO.	DESCRIPTION	REF. NO.	PART NO.	DESCRIPTION	REF. NO.	PART NO.	DESCRIPTION
914	691108	Screw (Rocker Cover)	969	691108	Screw (Blower Housing Cover)	1028	496744	Adapter–Oil Filter
918	393815	Hose–Vacuum Used on Type No(s). 0136.	969A	690365	Screw (Blower Housing Cover)	1029	691751	Arm–Rocker
920	691656	Solenoid–Starter	971	692129	Screw (Air Cleaner Base To Carburetor)	1032	491710	Ball–Oil Pump
921A	690495	Cover–Blower Housing (Red)	975	495933	Bowl–Float	1034	690822	Guide–Push Rod
		<b>Note</b>	975A	695417	Bowl–Float	1035	693784	Shaft–Pump
	690496	Cover–Blower Housing (Black) Used on Type No(s). 0127, 0128, 0136, 0151.	977	690192	Gasket Set–Carburetor	1036	695700	Label–Emissions (Used After Code Date 00063000).
934	690372	Screw (Fan Retainer)	977A	695428	Gasket Set–Carburetor			<b>Note</b>
943	★690589	Seal–O Ring (Oil Pump Cover) (Used After Code Date 98063000).	987	●691326	Seal–Throttle Shaft		694997	Label– Emissions (Used After Code Date 99093000 and Before Code Date 00070100).
943A	★690604	Seal–O Ring (Oil Pump Cover) (Used Before Code Date 98070100).	988	★691317	Gasket–Oil Adapter		694332	Label– Emissions (Used After Code Date 98123100 and Before Code Date 99100100).
947	692734	Solenoid–Fuel	990	691959	Key Set		692468	Label– Emissions (Used Before Code Date 99010100).
947A	695423	Solenoid–Fuel	996	690678	Shield–Carburetor	1044	698139	Screw (Flywheel)
950	691657	Screw–Float Bowl	1005	697853	Fan–Flywheel	1051	691265	Ring–Retaining
958	698183	Valve–Fuel Shut Off Used on Type No(s). 0129, 0131, 0134.	1006	690452	Retainer–Fan	1054	280275	Tie–Cable
965	499613	Cover–Oil Pump (Used After Code Date 98063000).	1017	690770	Screen–Oil Pump (Used After Code Date 98063000).	1055	690528	Tube–Oil Pump
965A	496745	Cover–Oil Pump (Used Before Code Date 98070100).	1017A	691216	Screen–Oil Pump (Used Before Code Date 98070100).	1058	275935	Operator's Manual
967	272403	Filter–Pre Cleaner	1019	690180	Kit–Label	1059	698516	Kit–Screw/Washer (Alternator)
968A	692355	Cover–Air Cleaner	1022	Δ★272475	Gasket–Rocker Cover	1090	691293	Retainer–Brush
			1023A	692492	Cover–Rocker	1091	691333	Cap–Limiter
			1024	499054	Pump–Oil (Used After Code Date 98063000).	1095	690190	Gasket Set–Valve
			1024A	493884	Pump–Oil (Used Before Code Date 98070100).	1119	691183	Screw (Alternator)
			1026	692003	Rod–Push (Intake)	1127	695407	Screw (Float Bowl)
			1026A	692011	Rod–Push (Exhaust)	1330	272147	Repair Manual
			1027	492932	Filter–Oil			

★ Engine Gasket Set–Reference 358  
● Carburetor Overhaul Kit–Reference 121.

◆ Carburetor Gasket Set–Reference 977  
∅ Valve Gasket Set–Reference 1095.