

311700

Illustrated Parts List

Model Series

311700

TYPE NUMBERS
0005 through 0209.

TABLE OF CONTENTS

Air Cleaner	7
Alternator	9
Blower Housing	6
Cam	3
Carburetor	5
Controls	9
Crankcase Cover/Sump	2
Crankshaft	3
Cylinder	2
Electric Starter	8
Flywheel	8
Fuel	7
Head	4
Ignition	9
Kits/Gaskets – Carburetor	5
Kits/Gaskets – Engine	2
Kits/Gaskets – Valve	4
Muffler	7
Oil	3
Piston	3



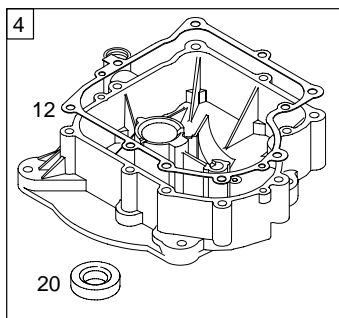
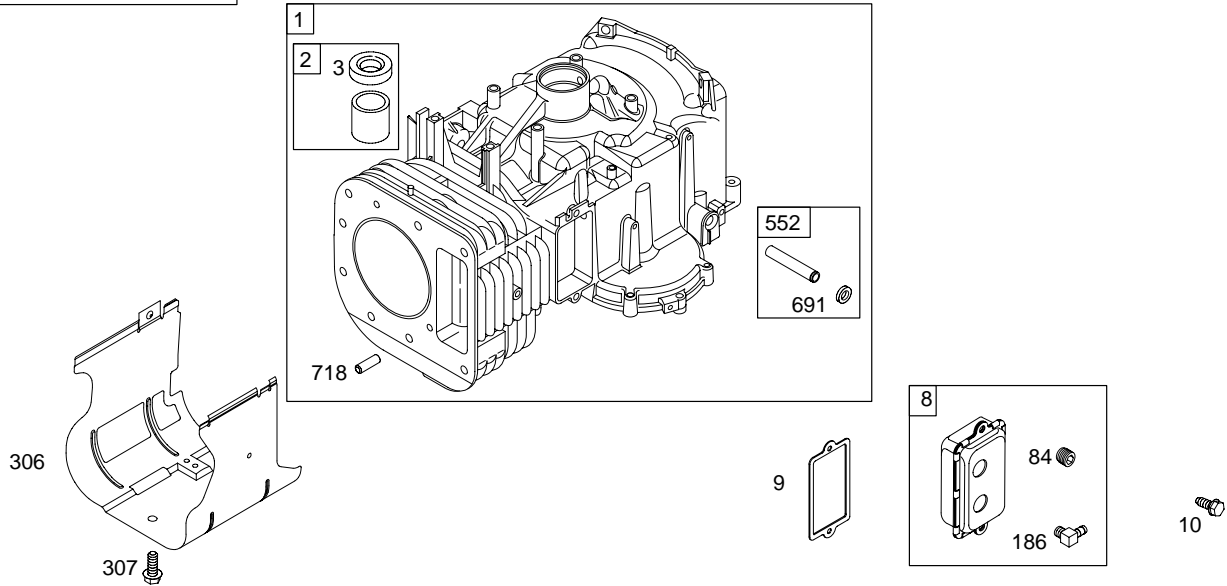
PRINTED IN U.S.A.

COPYRIGHT by BRIGGS & STRATTON CORPORATION
 All rights reserved. No part of this material may be reproduced or transmitted,
 in any form or by any means, electronic or mechanical, including photocopying,
 recording or by any information storage and retrieval system, without permission
 in writing from Briggs & Stratton Corporation.

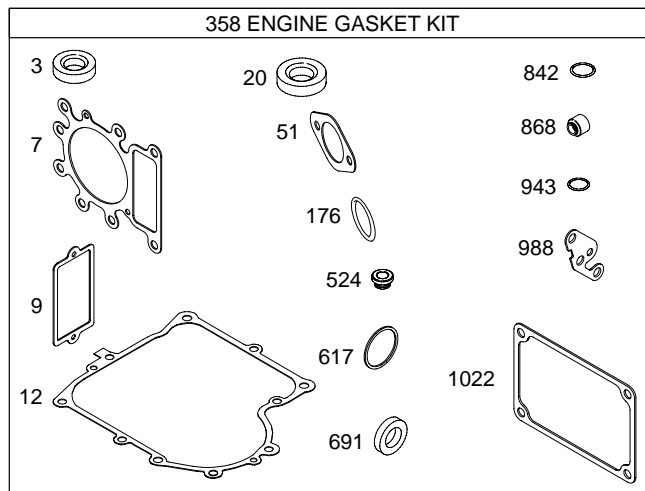
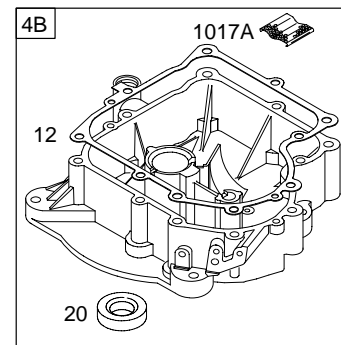
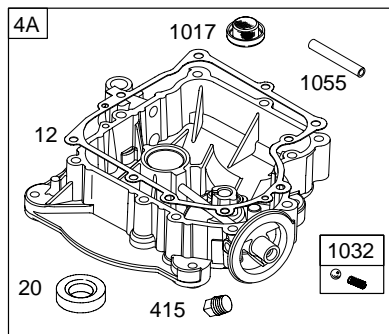
311700

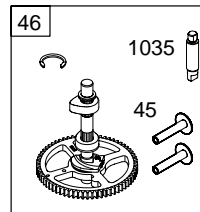
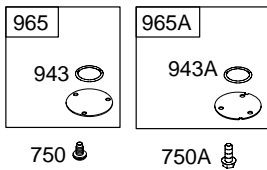
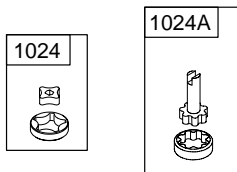
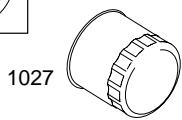
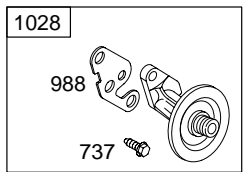
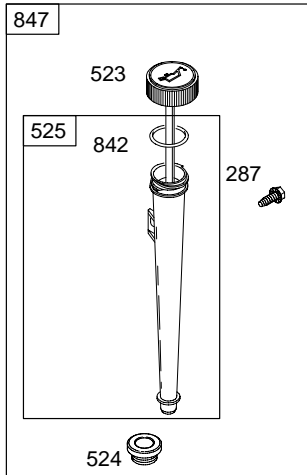
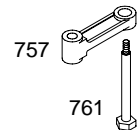
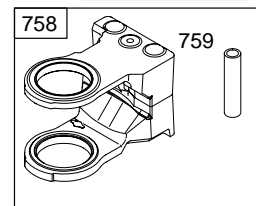
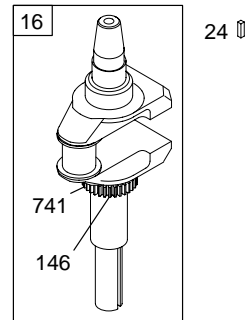
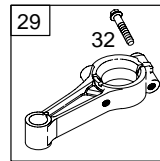
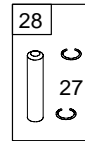
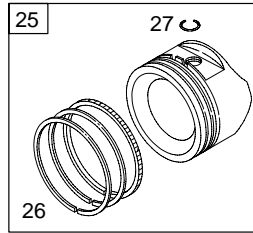
1058 OPERATOR'S MANUAL

1330 REPAIR MANUAL

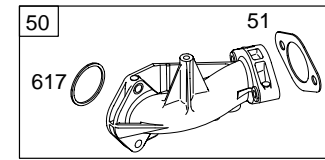
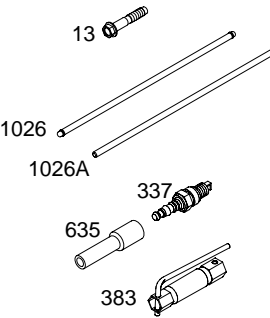
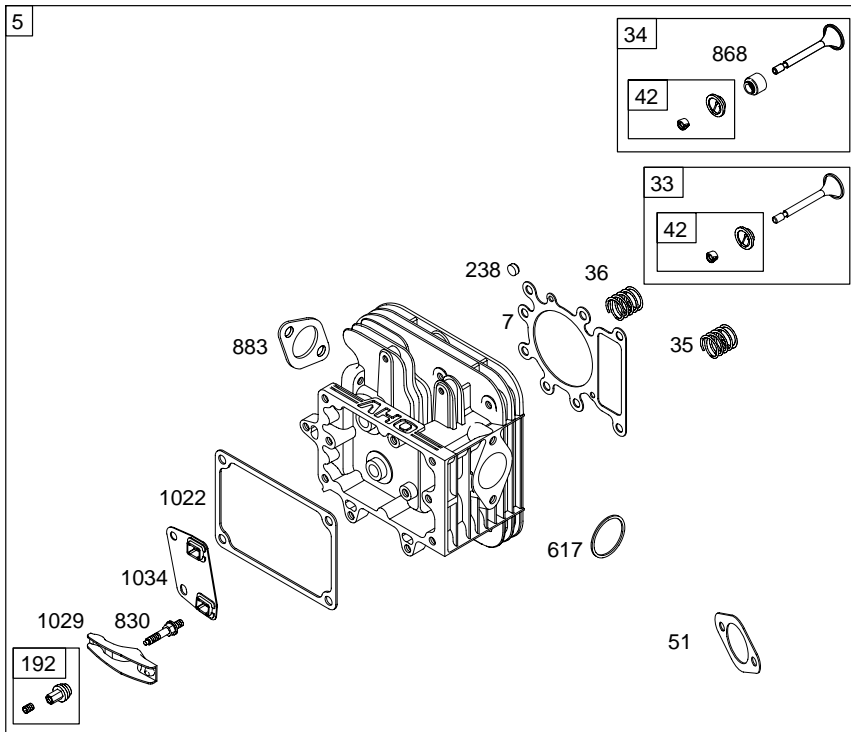


- 15
- 15A
- 22

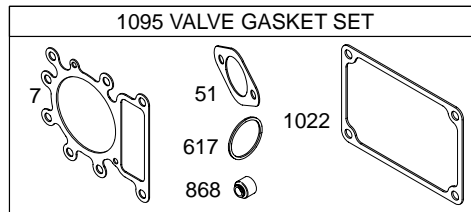
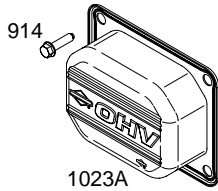
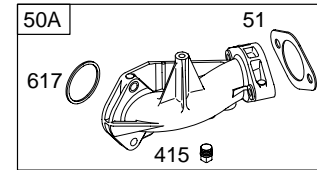




311700

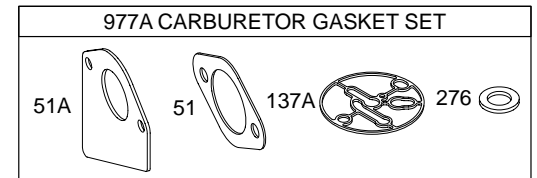
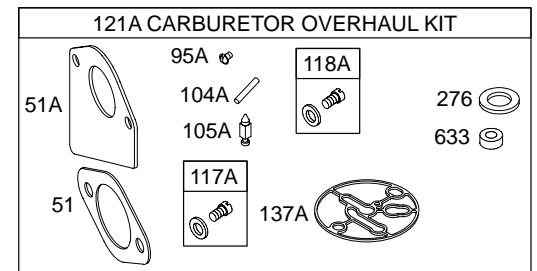
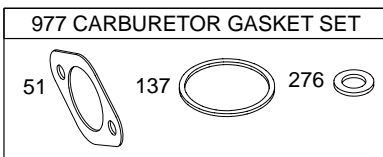
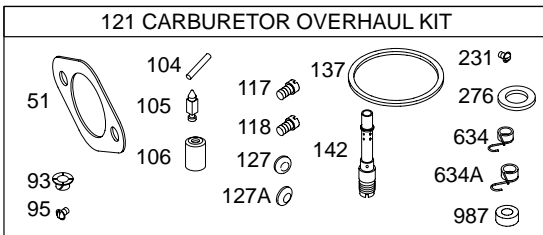
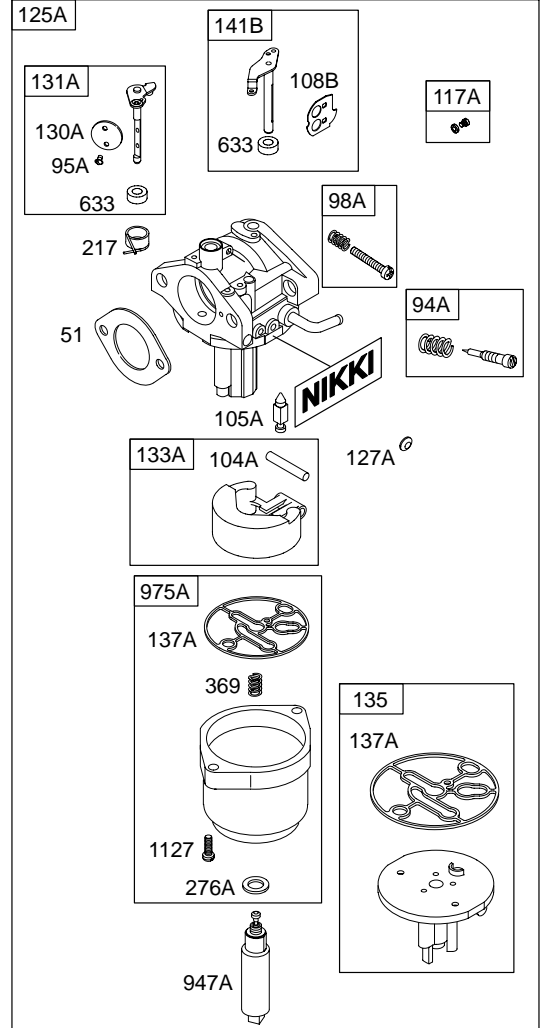
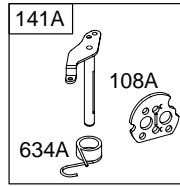
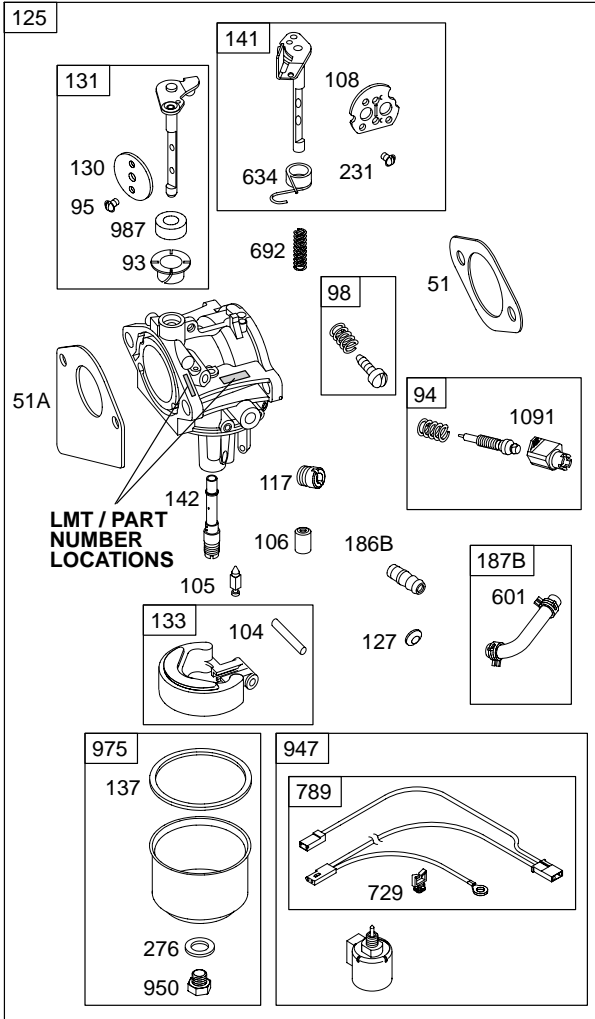


54



WALBRO

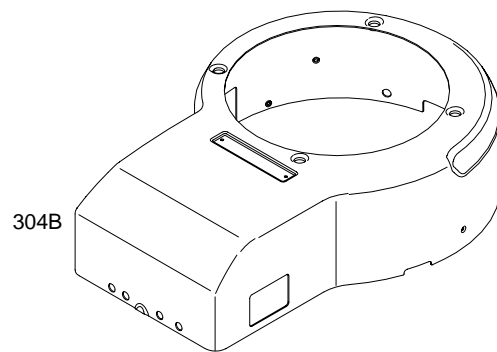
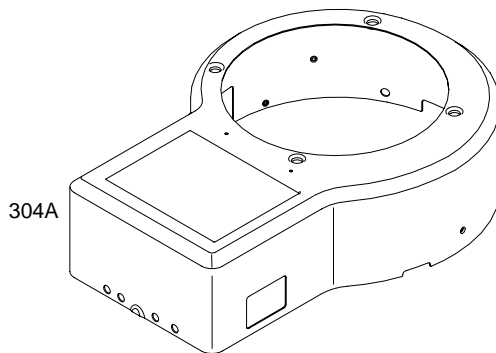
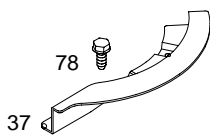
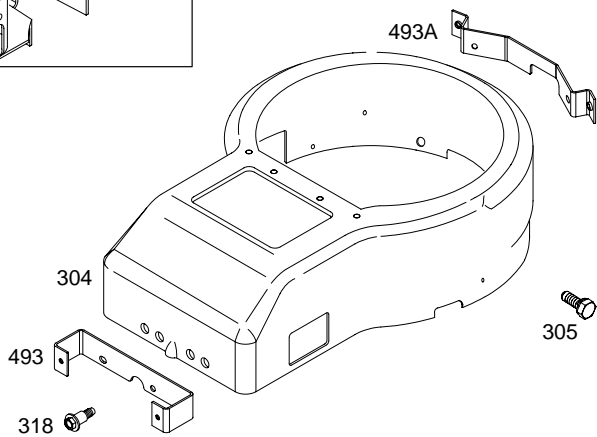
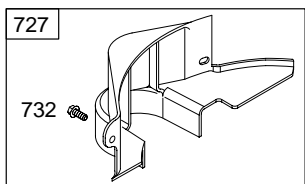
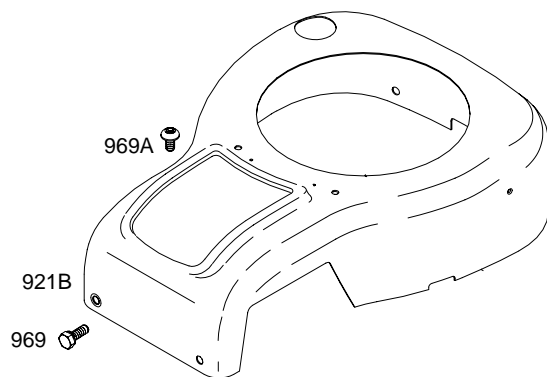
NIKKI

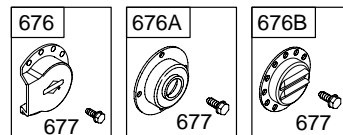
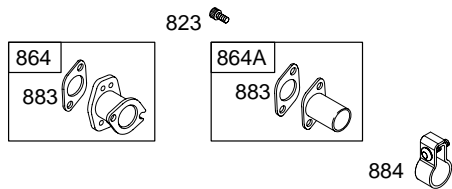
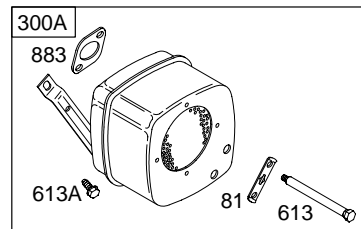
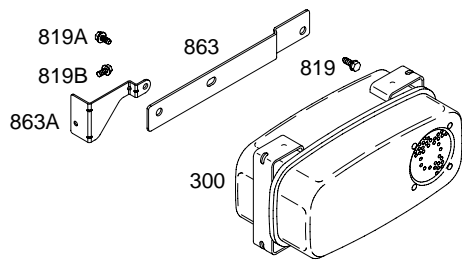
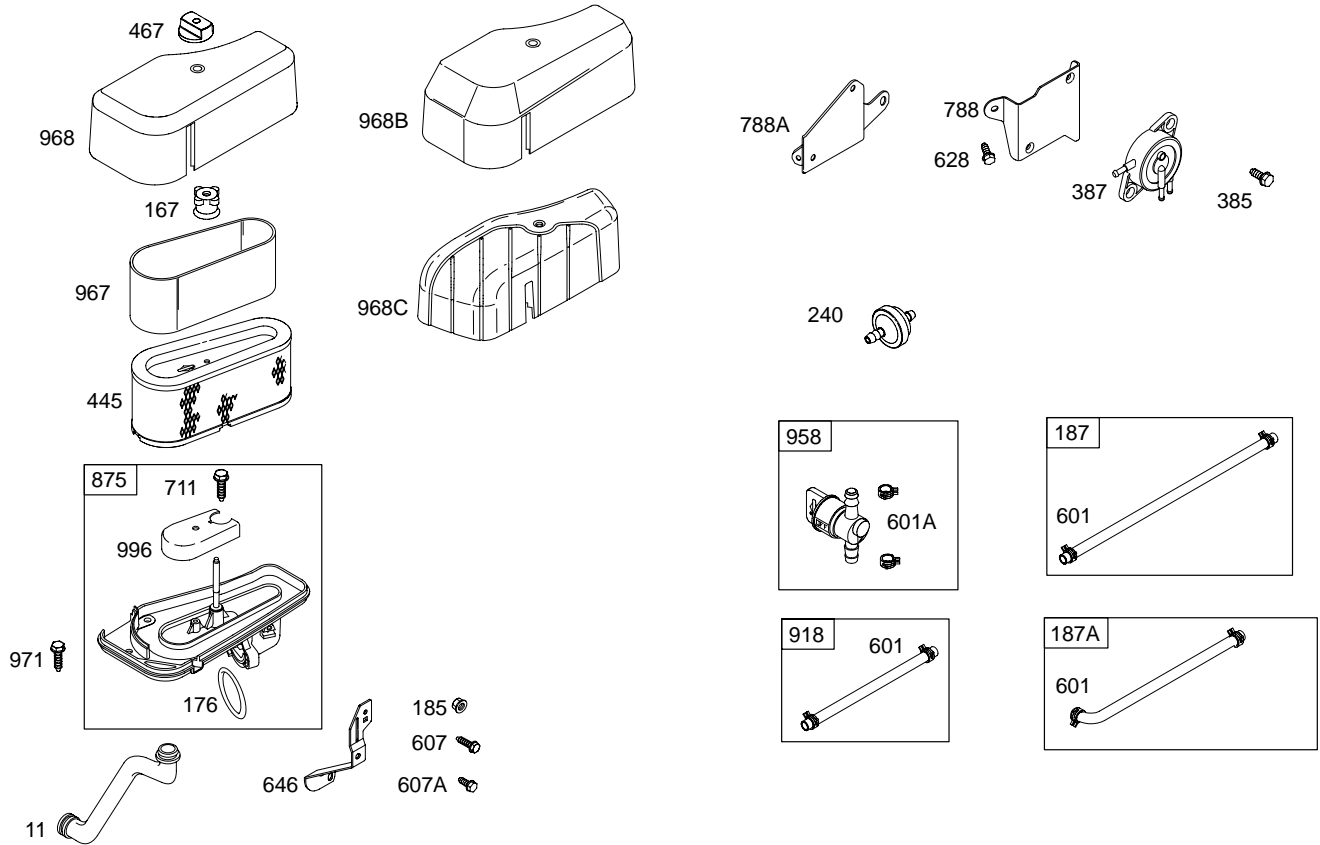


311700

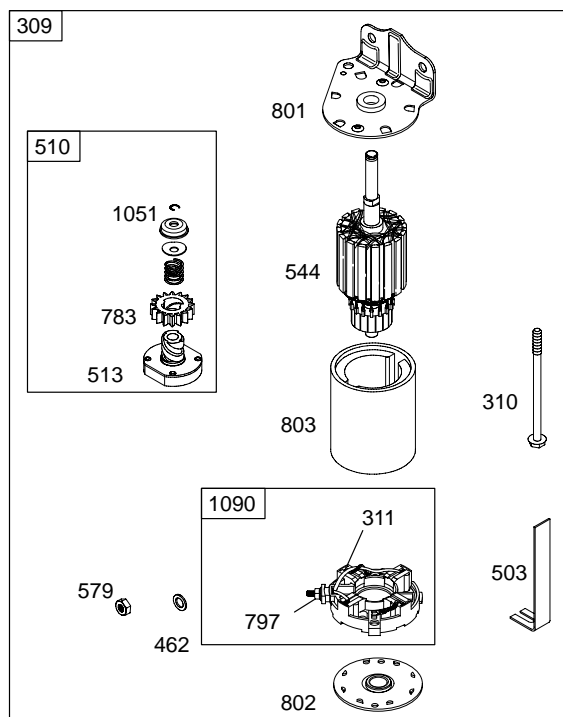
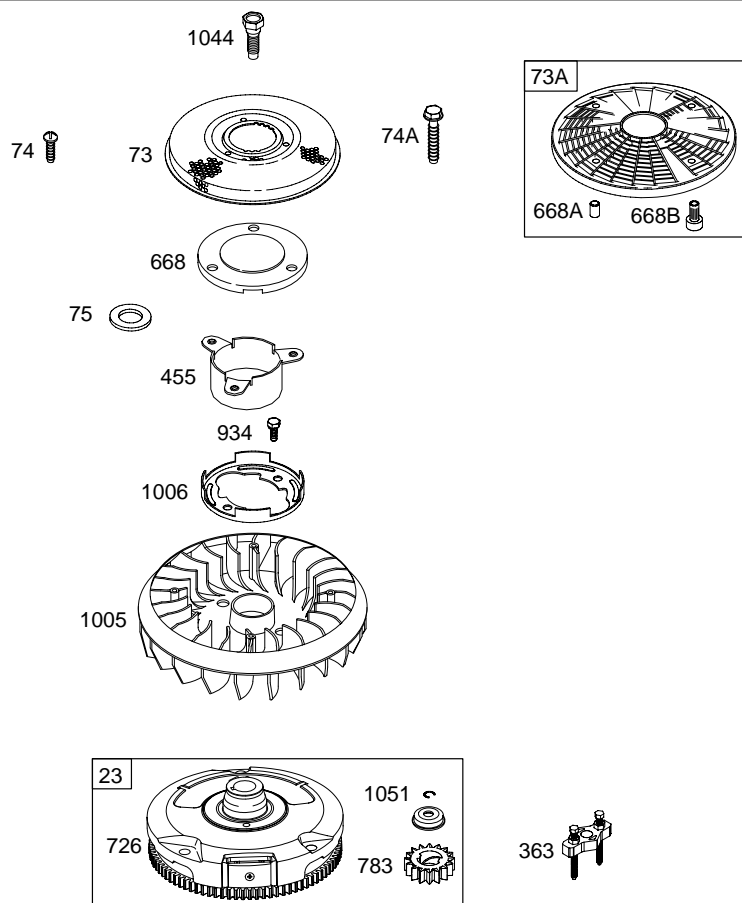
1019 LABEL KIT

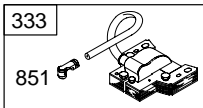
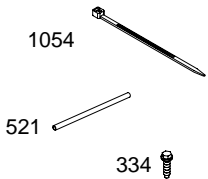
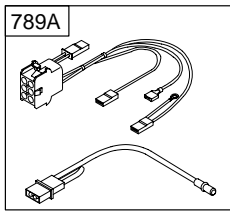
1036 EMISSIONS LABEL



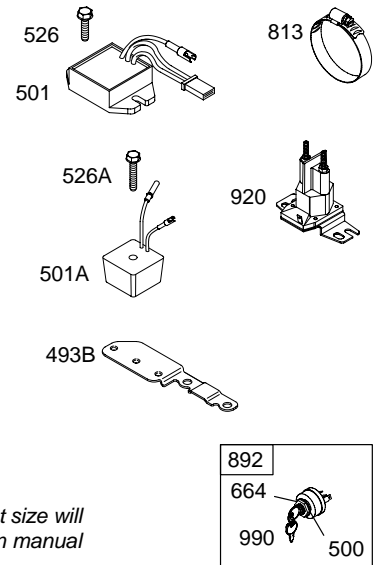


311700



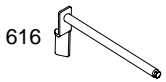


DUAL CIRCUIT	TRI CIRCUIT	10 - 16 AMP
474B 877 1059	474C 877B 1059	474D 877C 1059
878	878A	578

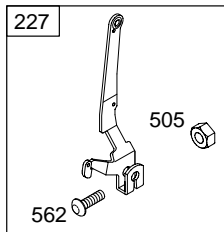


NOTE: All stators use a Reference 1119 mounting screw.

NOTE: The proper flywheel part number and/or the alternator magnet size will determine the alternator type or output. See repair instruction manual for additional information.

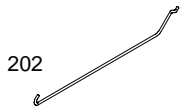


404 @

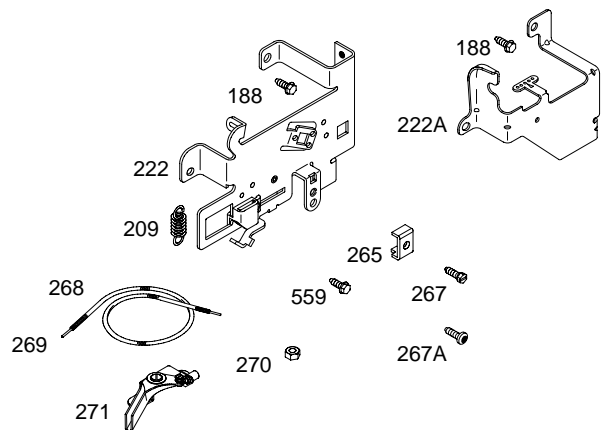
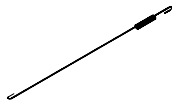


505

562



232



311700

REF. NO.	PART NO.	DESCRIPTION	REF. NO.	PART NO.	DESCRIPTION	REF. NO.	PART NO.	DESCRIPTION
1	690156	Cylinder Assembly	23	693557	Flywheel (Steel Ring Gear)	33	695760	Valve-Exhaust
2	399265	Kit-Bushing/Seal (Magneto Side)			Note	34	695761	Valve-Intake
3	★391086	Seal-Oil (Magneto Side)			693556	691279	Spring-Valve (Intake)	
4	494238	Sump-Engine Used on Type No(s). 0026, 0028, 0114, 0121, 0125, 0132, 0138, 0145, 0146.			Used on Type No(s). 0026, 0028, 0036, 0038, 0070, 0114, 0115, 0116, 0117, 0121, 0131, 0138, 0139, 0140, 0144, 0145, 0148, 0151, 0153, 0154, 0159, 0162, 0164, 0165.	36	691279	Spring-Valve (Exhaust)
4A	693582	Sump-Engine (Used After Code Date 98063000).				37	690456	Guard-Flywheel
4B	496742	Sump-Engine (Used Before Code Date 98070100).	24	222698	Key-Flywheel	42	499586	Keeper-Valve
5	698148	Head-Cylinder	25	692271	Piston Assembly (Standard)	43	691968	Slinger-Governor/Oil
7	△★699168	Gasket-Cylinder Head			Note	45	690564	Tappet-Valve
8	696126	Breather Assembly			692273	46	698492	Camshaft (Used After Code Date 02111700).
9	★27803	Gasket-Breather			Assembly			Note
10	691666	Screw (Breather Assembly)			(.020" Oversize)	50	690193	Manifold-Intake
11	691328	Tube-Breather			692274	50A	695527	Manifold-Intake Used on Type No(s). 0116, 0138, 0154.
12	★692226	Gasket-Crankcase (.015" Thick, Standard)			(.030" Oversize)	51	◆692137	Gasket-Intake
		Note	26	690162	Ring Set (Standard)	51A	◆692284	Gasket-Intake
		★692406			Note	53	690227	Stud (Carburetor)
		Gasket-Crankcase (.005" Thick)			690164	54	691148	Screw (Intake Manifold)
		★692405			Ring Set (.010" Oversize)	73	690492	Screen-Rotating (Steel) Used on Type No(s). 0138, 0156, 0209.
		Gasket-Crankcase (.009" Thick)			690166	73A	494439	Screen-Rotating (Nylon)
13	690360	Screw (Cylinder Head)			690168	74	691655	Screw (Rotating Screen) Used on Type No(s). 0138, 0156, 0209.
15	690946	Plug-Oil Drain (Standard)	27	691299	Lock-Piston Pin	74A	698425	Screw (Rotating Screen)
15A	691680	Plug-Oil Drain (Flush)	28	498319	Pin-Piston (Standard)	75	690582	Washer (Flywheel)
16	690136	Crankshaft			Note	78	697561	Screw (Flywheel Guard)
		Note			498320	81	691178	Lock-Muffler Screw Used on Type No(s). 0121, 0165.
		694187	29	692419	Rod-Connecting (Standard)	84	690343	Plug-Breather
		Used on Type No(s). 0141, 0152, 0156.			Note	93	690602	Bushing-Throttle Shaft
20	★291675	Seal-Oil (PTO Side)			692420	94	498030	Kit-Idle Mixture
22	692125	Screw (Crankcase Cover/Sump)			Rod-Connecting (.020" Undersize)	94A	695425	Kit-Idle Mixture
			32	692852	Screw (Connecting Rod)	95	◆691636	Screw (Throttle Valve)
						95A	◆690718	Screw (Throttle Valve)
						98	495800	Kit-Idle Speed
						98A	695408	Kit-Idle Speed

★ Engine Gasket Set-Reference 358
● Carburetor Overhaul Kit-Reference 121

◆ Carburetor Gasket Set-Reference 977
⊘ Valve Gasket Set-Reference 1095

311700

REF. NO.	PART NO.	DESCRIPTION	REF. NO.	PART NO.	DESCRIPTION	REF. NO.	PART NO.	DESCRIPTION
104	●690525	Pin-Float Hinge	127	●695005	Plug-Welch	188	691693	Screw (Control Bracket)
104A	●694918	Pin-Float Hinge	127A	●690727	Plug-Welch	192	691986	Adjuster-Rocker Arm
105	●231855	Valve-Float Needle	130	691750	Valve-Throttle	202	691841	Link-Mechanical Governor
105A	●694922	Valve-Float Needle	130A	695418	Valve-Throttle	209	692208	Spring-Governor (Green)
106	●690577	Seat-Inlet (LMT 154, 155, 697481, 697482)	131	494379	Kit-Throttle Shaft	<p>————— Note —————</p> <p>690480 Spring-Governor (Red) Used on Type No(s). 0117, 0139, 0140, 0141, 0152, 0156. 691795 Spring-Governor (Yellow) Used on Type No(s). 0138, 0145, 0153, 0154, 0159. 260902 Spring-Governor (No Color) Used on Type No(s). 0166. 690576 Spring-Governor (Gold) Used on Type No(s). 0167.</p>		
<p>————— Note —————</p> <p>●691780 Seat-Inlet (LMT 153, 156, 697480, 697483)</p>			131A	695421	Kit-Throttle Shaft			
108	690464	Valve-Choke (LMT 153, 156, 697480, 697483)	133	494381	Float-Carburetor	216	691840	Link-Choke
108A	692344	Valve-Choke (LMT 154, 155, 697481, 697482)	133A	694914	Float-Carburetor	217	695409	Spring-Choke Return
108B	695419	Valve-Choke	135	696142	Tube-Fuel Transfer	222	694042	Bracket-Control
117	●692408	Jet-Main (Standard)	137	◆281165	Gasket-Float Bowl	222A	694335	Bracket-Control Used on Type No(s). 0141, 0152, 0156.
117A	●695415	Jet-Main (Standard)	137A	◆695426	Gasket-Float Bowl	227	691374	Lever-Governor Control
118	692411	Jet-Main (High Altitude)	141	495097	Kit-Choke Shaft (LMT 154, 155, 697481, 697482)	<p>————— Note —————</p> <p>694339 Lever-Governor Control Used on Type No(s). 0141, 0152, 0156.</p>		
118A	●695416	Jet-Main (High Altitude)	141A	495931	Kit-Choke Shaft (LMT 154, 155, 697481, 697482)			
118B	697228	Jet-Main (High Altitude) Used on Type No(s). 0141, 0152, 0156.	141B	695420	Kit-Choke Shaft	231	●691636	Screw (Choke Valve)
121	690191	Kit-Carburetor Overhaul	142	●692412	Nozzle-Carburetor (Standard)	232	691842	Spring-Governor Link
121A	695427	Kit-Carburetor Overhaul	146	691639	Key-Timing	238	691843	Cap-Valve
125	698620	Carburetor (LMT 154, 155, 697481, 697482)	167	692297	Seal-Air Cleaner Nut	240	298090	Fuel Filter (Red)
<p>————— Note —————</p> <p>698782 Carburetor (LMT 153, 156, 697480, 697483) 693773 Carburetor Used on Type No(s). 0141, 0152, 0156.</p>			176	★691917	Seal-O Ring (Air Cleaner Base)	<p>————— Note —————</p> <p>394358 Filter-Fuel (White)</p>		
125A		Carburetor (Nikki Carburetor, Service With Walbro Carburetor)	185	690958	Nut (Air Cleaner Base)			
			186	691609	Connector-Hose (Breather Assembly)			
			186A	692317	Connector-Hose (Carburetor)			
			186B	698174	Connector-Hose (Carburetor)			
			187	691050	Line-Fuel (Cut to Required Length)			
			187A	698417	Line-Fuel (Formed) (10 1/4 Inches Long) (Cut to Required Length) Used on Type No(s). 0140.			
			187B	699331	Line-Fuel (Molded) Used on Type No(s). 0121, 0165.			

★ Engine Gasket Set-Reference 358
● Carburetor Overhaul Kit-Reference 121

◆ Carburetor Gasket Set-Reference 977
∅ Valve Gasket Set-Reference 1095

311700

REF. NO.	PART NO.	DESCRIPTION	REF. NO.	PART NO.	DESCRIPTION	REF. NO.	PART NO.	DESCRIPTION
265	691024	Clamp—Casing	309	693551	Motor—Starter (Steel Ring Gear Only)	493	690493	Bracket—Mounting (Blower Housing Front)
267	690804	Screw (Casing Clamp)	310	690323	Bolt (Starter Motor)	493A	690494	Bracket—Mounting (Blower Housing Rear)
267A	695134	Screw (Casing Clamp) Used on Type No(s). 0121, 0125, 0132, 0134, 0144, 0160, 0162, 0164, 0165.	311	497608	Brush Set	493B	694475	Bracket—Mounting (Regulator)
268	691025	Casing—Control Wire (Cut to Required Length)	318	692127	Screw (Mounting Bracket)	500	691086	Washer (Key Switch)
269	691026	Wire—Control (Cut to Required Length)	333	492341	Armature—Magneto	501	691185	Regulator
270	691027	Nut (Control Wire Casing)	334	691061	Screw (Magneto Armature)	501A	691188	Regulator
271	691028	Lever—Control	337	491055	Plug—Spark Note 691043 Plug—Spark Used on Type No(s). 0114, 0146.	503	691532	Strap—Starter
276	◆692255	Washer—Sealing	358	690189	Gasket Set—Engine	505	691251	Nut (Governor Control Lever)
276A	◆695410	Washer—Sealing	363	19203	Puller—Flywheel	510	693699	Drive—Starter (Used With Steel Ring Gear)
287	691002	Screw (Dipstick Tube)	369	695422	Spring—Float Bowl	513	692024	Clutch—Drive
300	690850	Muffler	383	89838	Wrench—Spark Plug	521	690581	Shield—Cable
300A	496022	Muffler	385	691108	Screw (Fuel Pump)	523	692014	Dipstick
304	690497	Housing—Blower (Black)	387	808656	Pump—Fuel	524	★281370	Seal—Dipstick Tube
304A	695065	Housing—Blower (Black) (Large Fan) Used on Type No(s). 0166.	404	691691	Washer (Governor Crank)	525	691398	Tube—Dipstick
304B	690847	Housing—Blower (Black) (Large Fan) Used on Type No(s). 0121, 0138, 0156, 0165, 0209.	415	690283	Plug (Used in Engine Sump as Oil Pressure Switch Plug and Intake Manifold as Vacuum Plug)	526	692598	Screw (Regulator)
305	691108	Screw (Blower Housing)	445	496894	Filter—Air Cleaner Cartridge	526A	694476	Screw (Regulator)
306	698454	Shield—Cylinder	455	691173	Cup—Flywheel	544	692034	Armature—Starter
307	691003	Screw (Cylinder Shield)	462	691261	Washer (Starter Cable)	552	491986	Bushing—Governor Crank
		Note 691399 Housing— Blower (Red) (Large Fan) Used on Type No(s). 0125, 0160, 0162, 0164.	467	691668	Knob—Air Cleaner	559	693675	Screw (Remote Choke Stop)
			474B	696459	Alternator (Dual Circuit)	562	691119	Bolt (Governor Control Lever)
			474C	696457	Alternator (Tri—Circuit) Used on Type No(s). 0026, 0028, 0036, 0038, 0070, 0115, 0121, 0138, 0139, 0140, 0144, 0145, 0151, 0153, 0154, 0162, 0164, 0165.	578	692306	Wire Assembly
			474D	696458	Alternator (10 To 16 Amp Regulated) Used on Type No(s). 0114, 0116, 0117, 0131, 0148, 0159.	579	691029	Nut (Starter Cable)
						601	95162	Clamp—Hose
						601A	691038	Clamp—Hose
						607	690703	Screw (Air Cleaner Brace)
						607A	691693	Screw (Air Cleaner Brace)
						613	691416	Screw (Muffler)
						613A	691678	Screw (Muffler)

★ Engine Gasket Set—Reference 358
● Carburetor Overhaul Kit—Reference 121

◆ Carburetor Gasket Set—Reference 977
⊘ Valve Gasket Set—Reference 1095

REF. NO.	PART NO.	DESCRIPTION	REF. NO.	PART NO.	DESCRIPTION	REF. NO.	PART NO.	DESCRIPTION
614	691620	Pin-Cotter	737	691118	Screw (Oil Filter Adapter)	823	698941	Screw (Muffler Adapter)
616	692012	Crank-Governor	741	691284	Gear-Timing	830	691095	Stud-Rocker Arm
617	Δ*692138	Seal-O Ring (Intake Manifold)	750	691033	Screw (Oil Pump Cover) (Used After Code Date 98063000).	842	★691870	Seal-O Ring (Dipstick Tube)
628	690661	Screw (Fuel Pump Bracket)	750A	691108	Screw (Oil Pump Cover) (Used Before Code Date 98070100).	847	496415	Dipstick/Tube Assembly
633	●695414	Seal-Choke/Throttle Shaft	757	691714	Link-Counterweight	851	692424	Terminal-Spark Plug
634	●690801	Spring/Seal Assembly (LMT 153, 156, 697480, 697483)	758	692423	Counterweight	863	691204	Bracket-Muffler
634A	●690802	Spring/Seal Assembly (LMT 154, 155, 697481, 697482)	759	691239	Pin-Counterweight	863A	691205	Bracket-Muffler
635	691909	Boot-Spark Plug	761	691096	Screw (Counterweight)	864	697346	Adapter-Muffler
646	690460	Brace-Air Cleaner	783	693713	Gear-Pinion (Steel Ring Gear Only)	864A	496750	Adapter-Muffler
664	691087	Nut (Key Switch)	788	692133	Bracket-Fuel Pump	868	Δ★690968	Seal-Valve
668	691323	Spacer (Rotating Screen) Used on Type No(s). 0138, 0156, 0209.	788A	690458	Bracket-Fuel Pump Used on Type No(s). 0138, 0156, 0164.	875	696129	Base-Air Cleaner
668A	691215	Spacer (Rotating Screen)	789	692037	Harness-Wiring (Carburetor)	877	393456	Wire/Connector- Alternator (Dual Circuit)
668B	691500	Spacer (Rotating Screen) (Used Before Code Date 00040300).	789A	698329	Harness-Wiring (Alternator) Used on Type No(s). 0028, 0038, 0121, 0125, 0132, 0134, 0144, 0160, 0162, 0164, 0165.	877B	393537	Wire/Connector- Alternator (Tri-Circuit)
676	393761	Deflector-Muffler (Side Out)	797	693167	Nut (Brush Retainer)	877C	399916	Wire/Connector- Alternator (10 to 16 Amp)
676A	396903	Deflector-Muffler (Direct Out)	801	691283	Cap-Drive	878	691237	Harness-Alternator (Dual Circuit)
676B	397630	Deflector-Muffler (Louvered)	802	691286	Cap-End	878A	691955	Harness-Alternator (Tri-Circuit)
677	690661	Screw (Muffler Deflector)	803	693757	Housing-Starter	883	★692236	Gasket-Exhaust
691	★692407	Seal-Governor Shaft	813	690635	Clamp (Used Before Code Date 99070600).	884	690853	Clamp-Muffler
692	690572	Spring-Detent	819	690297	Screw (Muffler Bracket)	892	692318	Switch-Key
697	690372	Screw (Drive Cap)	819A	691678	Screw (Muffler Bracket)	914	691108	Screw (Rocker Cover)
711	690703	Screw (Carburetor Shield)	819B	691676	Screw (Muffler Bracket)	918	393815	Hose-Vacuum Used on Type No(s). 0026, 0028, 0036, 0038, 0070, 0116, 0117, 0131, 0138, 0139, 0141, 0152, 0154, 0156, 0164.
718	690959	Pin-Locating				920	691656	Solenoid-Starter Used on Type No(s). 0140.
726		Gear-Ring (Steel) (Sold In Flywheel Kit, Reference 23, Only)				921B	692493	Cover-Blower Housing (Red)
727	490324	Cover-Starter Drive						Note 692679 Cover-Blower Housing (Black)
729	691335	Clip-Wire						
729A	691224	Clip-Wire						
732	691002	Screw (Starter Drive Cover)						

★ Engine Gasket Set-Reference 358
● Carburetor Overhaul Kit-Reference 121

◆ Carburetor Gasket Set-Reference 977
⊙ Valve Gasket Set-Reference 1095

311700

REF. NO.	PART NO.	DESCRIPTION	REF. NO.	PART NO.	DESCRIPTION	REF. NO.	PART NO.	DESCRIPTION			
934	690372	Screw (Fan Retainer)	975	495933	Bowl-Float	1027	492932	Filter-Oil			
943	★690589	Seal-O Ring (Oil Pump Cover) (Used After Code Date 98063000).	975A	695417	Bowl-Float	1028	496744	Adapter-Oil Filter			
943A	★690604	Seal-O Ring (Oil Pump Cover) (Used Before Code Date 98070100).	977	690192	Gasket Set-Carburetor	1029	691751	Arm-Rocker			
947	692734	Solenoid-Fuel	977A	695428	Gasket Set-Carburetor	1032	491710	Ball-Oil Pump			
947A	695423	Solenoid-Fuel	987	●691326	Seal-Throttle Shaft	1034	690822	Guide-Push Rod			
947B	694393	Solenoid-Fuel Used on Type No(s). 0141, 0152, 0156.	988	★691317	Gasket-Oil Adapter	1035	693784	Shaft-Pump			
950	691657	Screw-Float Bowl	990	691959	Key Set	1036	695700	Label-Emissions (Used After Code Date 00063000).			
958	698183	Valve-Fuel Shut Off Used on Type No(s). 0140.	996	690678	Shield-Carburetor			Note			
965	499613	Cover-Oil Pump (Used After Code Date 98063000).	1005	697853	Fan-Flywheel (Used After Code Date 02050800).			694997 Label-Emissions (Used After Code Date 99093000 and Before Code Date 00070100).			
965A	496745	Cover-Oil Pump (Used Before Code Date 98070100).			Note			694332 Label-Emissions (Used After Code Date 98123100 and Before Code Date 99100100).			
967	272403	Filter-Pre Cleaner	1006	690452	Retainer-Fan			692468 Label-Emissions (Used Before Code Date 99010100).			
968	691916	Cover-Air Cleaner Used on Type No(s). 0166.	1017	690770	Screen-Oil Pump (Used After Code Date 98063000).						
968B	691332	Cover-Air Cleaner	1017A	691216	Screen-Oil Pump (Used Before Code Date 98070100).						
968C	692502	Cover-Air Cleaner			1019	690180	Kit-Label	1044	698139	Screw (Flywheel)	
969	691108	Screw (Blower Housing Cover)	1022	Δ★272475	Gasket-Rocker Cover	1023A	692492	Cover-Rocker	1051	691265	Ring-Retaining
969A	690365	Screw (Blower Housing Cover)	1023A	692492	Cover-Rocker	1024	499054	Pump-Oil (Used After Code Date 98063000).	1054	280275	Tie-Cable
971	692129	Screw (Air Cleaner Base To Carburetor)	1024	493884	Pump-Oil (Used Before Code Date 98070100).	1024A	493884	Pump-Oil (Used Before Code Date 98070100).	1055	690528	Tube-Oil Pump
			1026	692003	Rod-Push (Intake)	1026A	692011	Rod-Push (Exhaust)	1058	275935	Operator's Manual
									1059	698516	Kit-Screw/Washer (Alternator)
									1090	691293	Retainer-Brush
									1091	691333	Cap-Limiter
									1095	690190	Gasket Set-Valve
									1119	691183	Screw (Alternator)
									1127	695407	Screw (Float Bowl)
									1330	272147	Repair Manual

★ Engine Gasket Set-Reference 358
● Carburetor Overhaul Kit-Reference 121

◆ Carburetor Gasket Set-Reference 977
∅ Valve Gasket Set-Reference 1095