



305700

Illustrated Parts List

Model Series

305700

TYPE NUMBERS
0032 through 0118.

TABLE OF CONTENTS

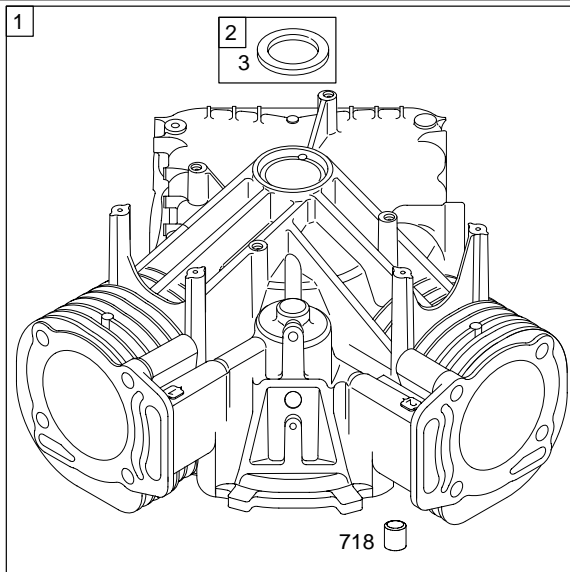
Air Cleaner	7
Alternator	6
Blower Housing	11
Camshaft	4
Carburetor	3
Controls	6
Crankshaft	4
Cylinder	2
Cylinder Head	5
Electric Starter	14
Engine Sump	2
Exhaust System	8
Flywheel	10
Fuel Supply	3
Gasket Set-Engine	2
Gasket Set-Valve	5
Governor Spring	6
Ignition	6
Intake Manifold	4
Kit-Carburetor Overhaul	3
Lubrication	13
Piston, Rings, Connecting Rod	2
Rewind Starter	9
Shrouds	12
Valves	5

PRINTED IN U.S.A.

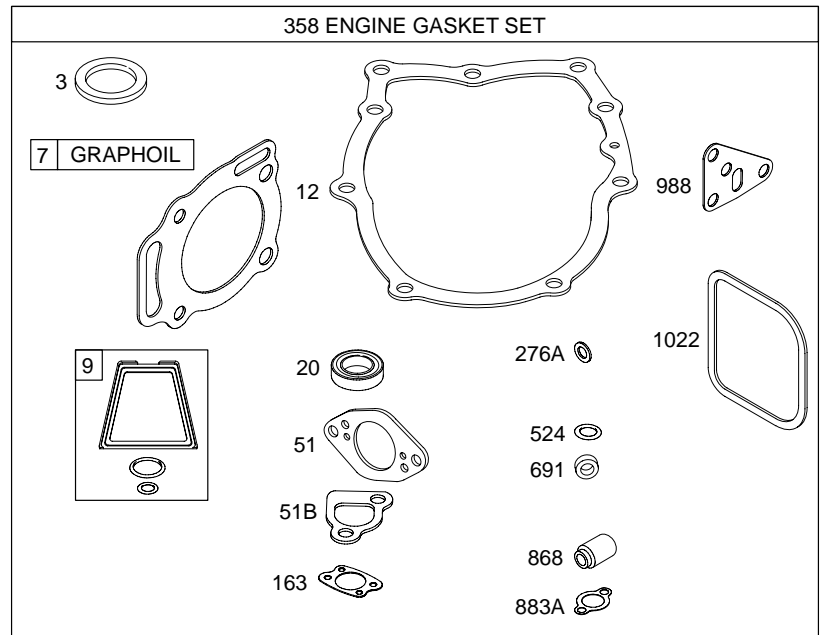
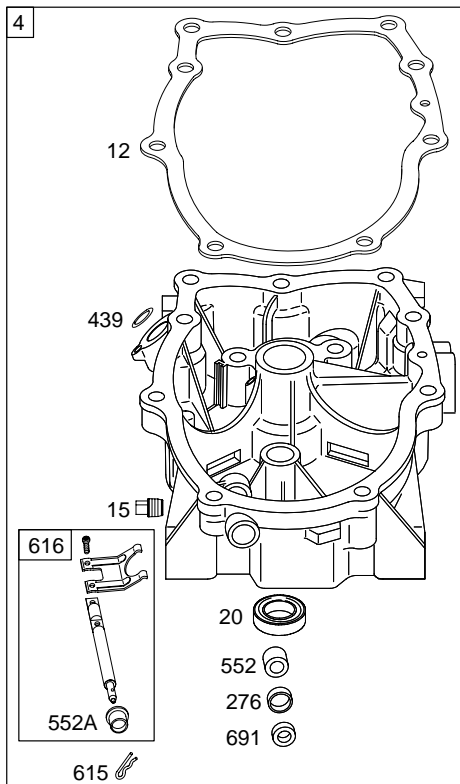
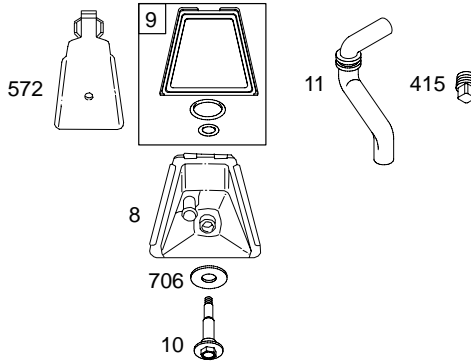
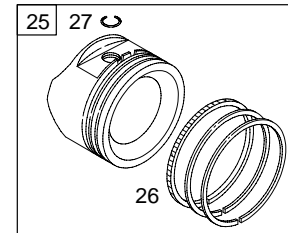
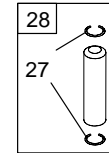
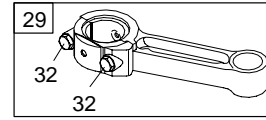


COPYRIGHT by BRIGGS & STRATTON CORPORATION
All rights reserved. No part of this material may be reproduced or transmitted, in any form or by any means, electronic or mechanical, including photocopying, recording or by any information storage and retrieval system, without permission in writing from Briggs & Stratton Corporation.

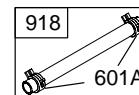
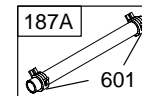
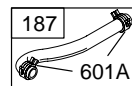
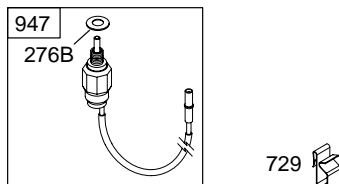
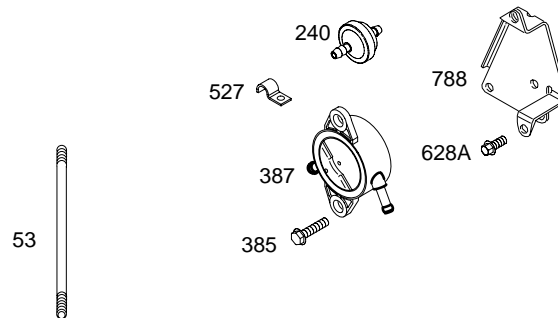
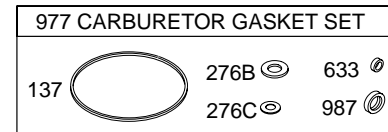
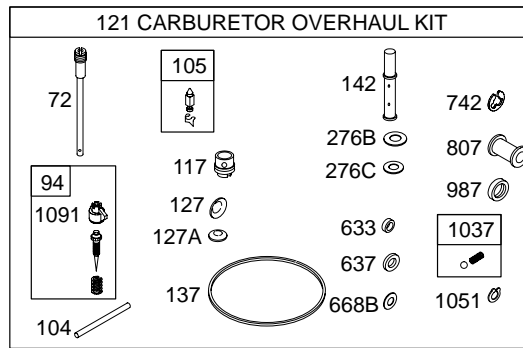
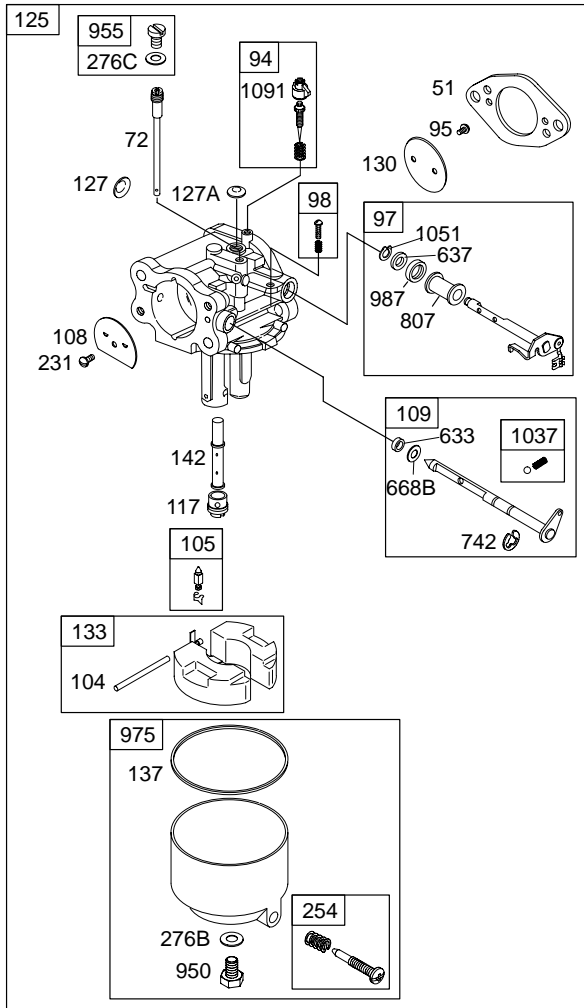
305700



- 1019 LABEL KIT
- 1058 OWNER'S MANUAL
- 1330 REPAIR MANUAL

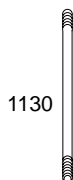
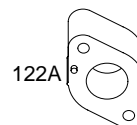
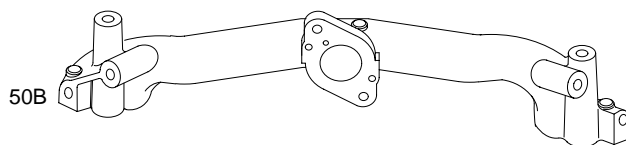
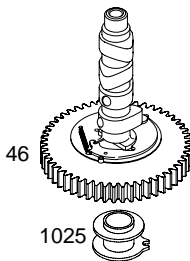
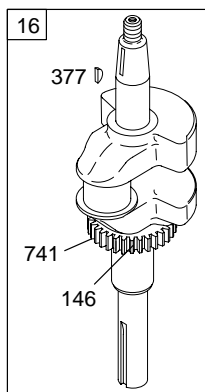


Illustrations cover a range of engines. Parts shown without corresponding text may not be used on your specific engine.
 6008-2 Assemblies include all parts shown in frames. 06/16/2005

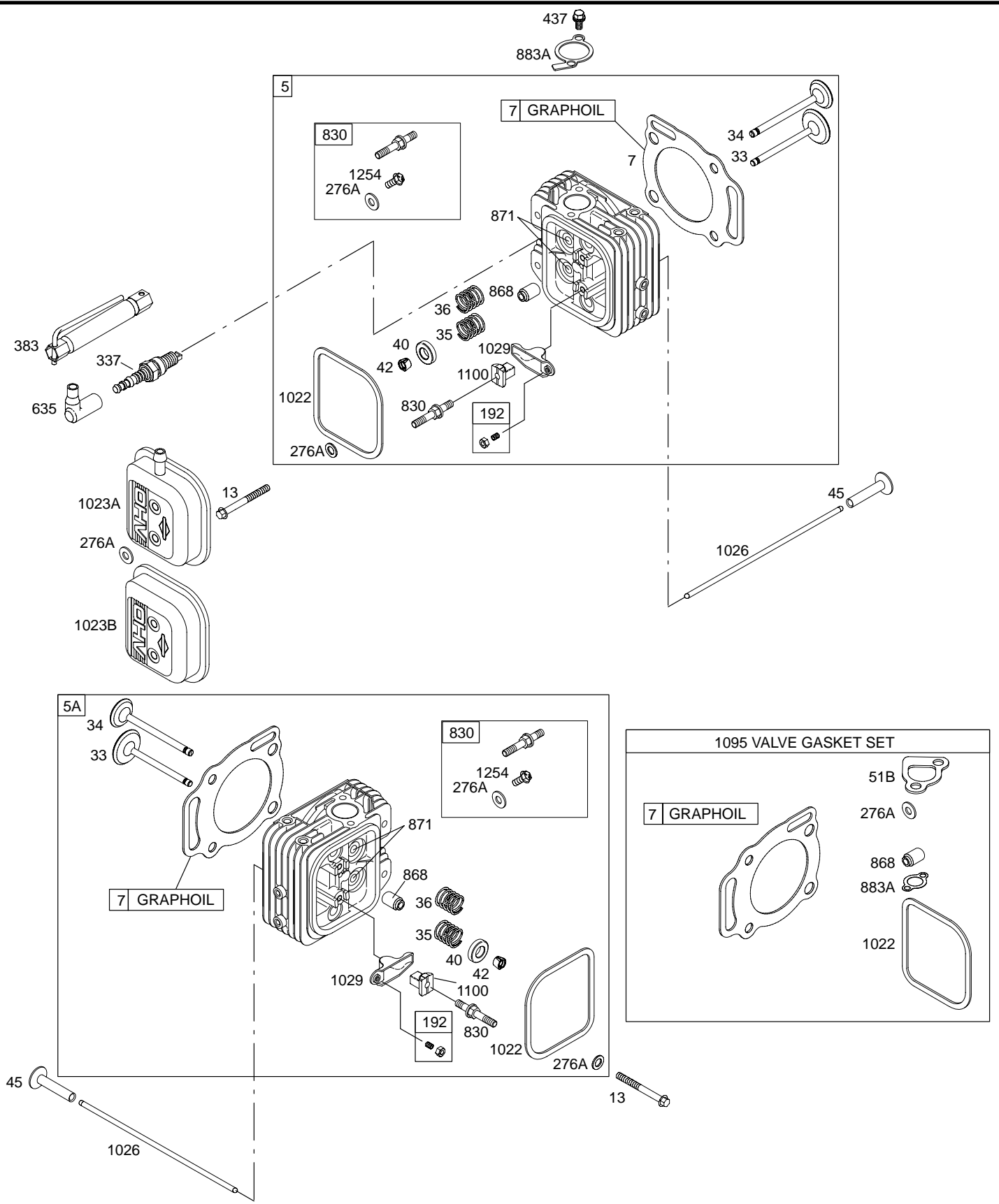


Illustrations cover a range of engines. Parts shown without corresponding text may not be used on your specific engine.
 6008-3 Assemblies include all parts shown in frames. 06/16/2005

305700

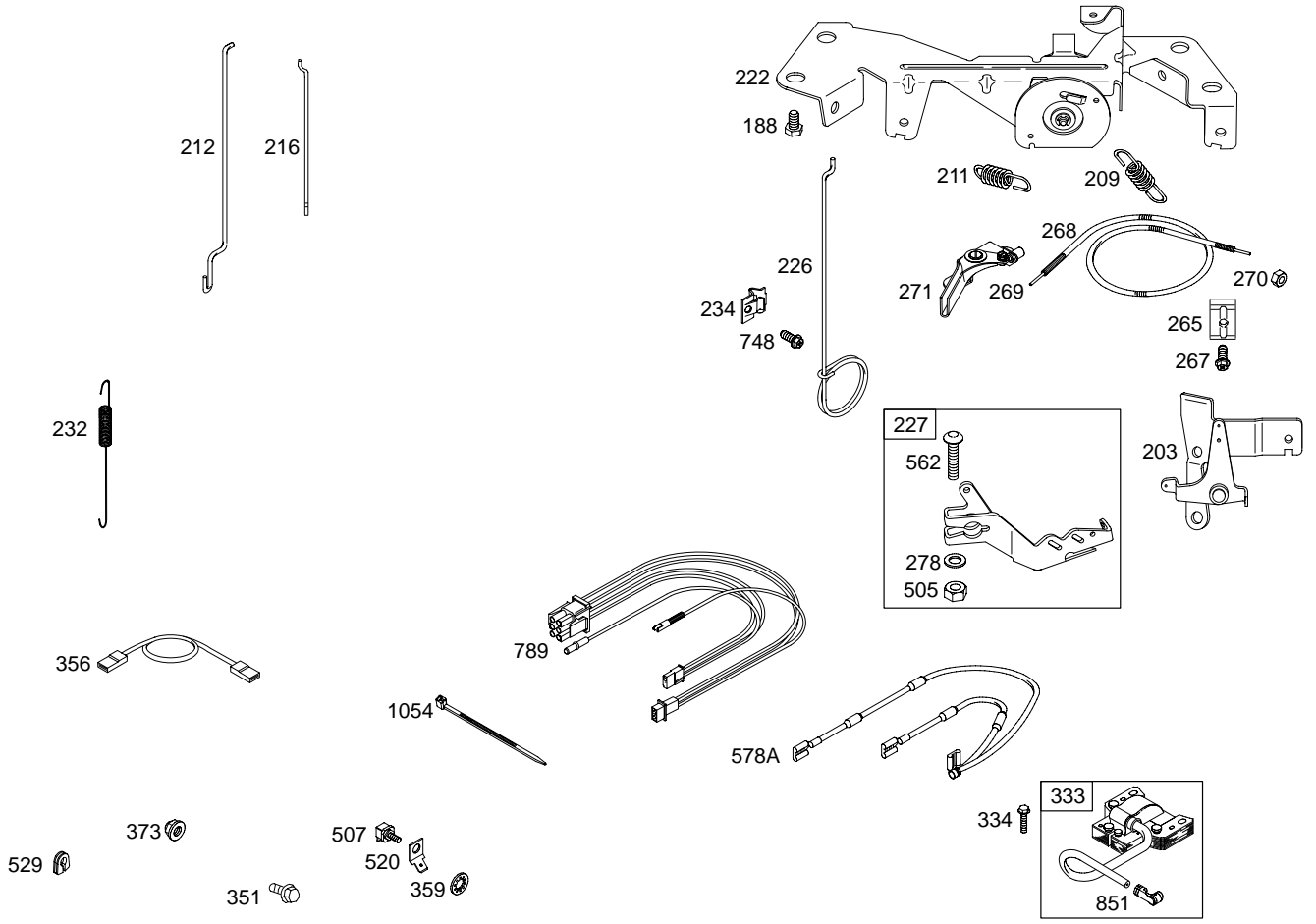


Illustrations cover a range of engines. Parts shown without corresponding text may not be used on your specific engine.
6008-4 Assemblies include all parts shown in frames. 06/16/2005




Illustrations cover a range of engines. Parts shown without corresponding text may not be used on your specific engine.
6008-5 Assemblies include all parts shown in frames. **06/16/2005**

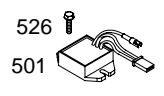
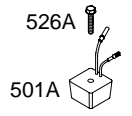
305700

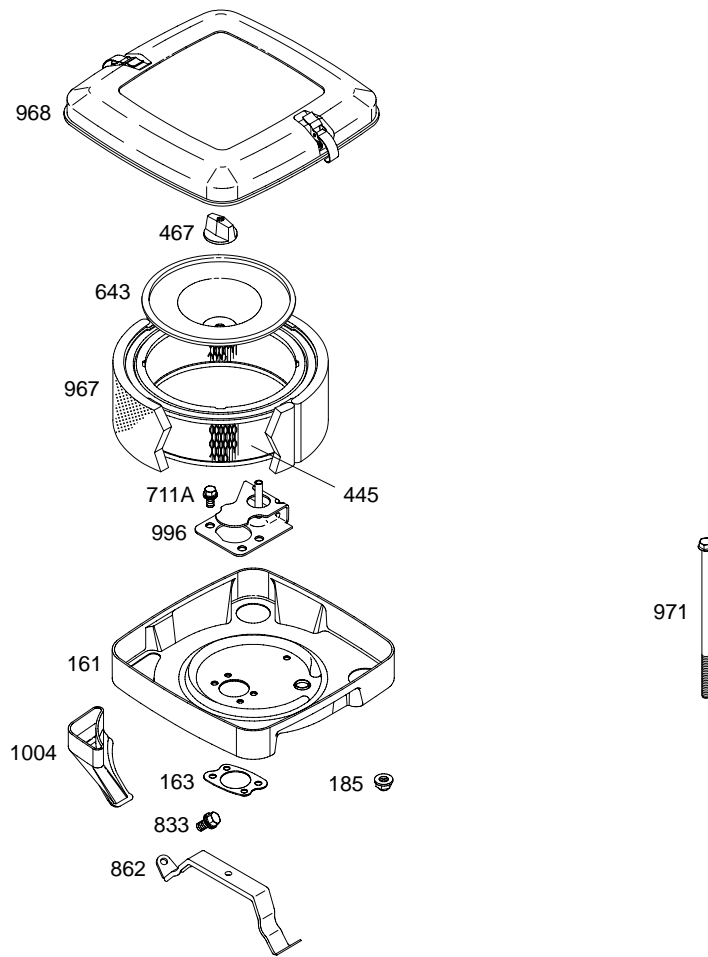


DC ONLY	TRI CIRCUIT	5 - 9 AMP	10 - 16 AMP
474A	474C	474C	474D
877A	877B	877B	877C
578	878A	578	578

NOTE: All stators use a No. 1119 mounting screw. 

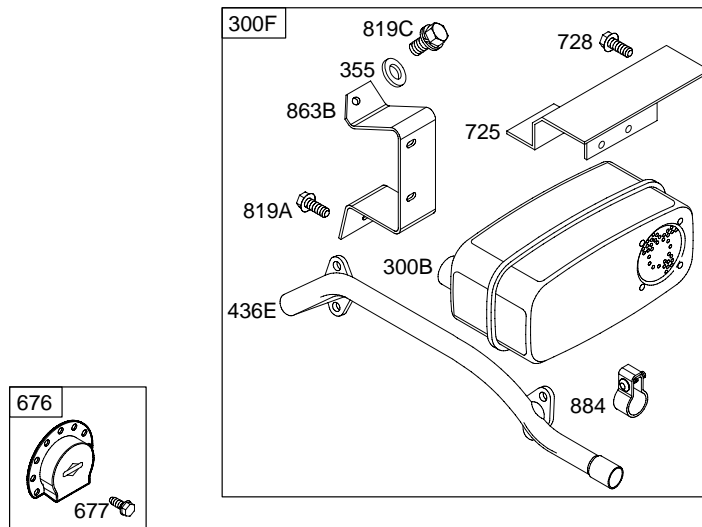
NOTE: The proper flywheel part number and/or the alternator magnet size will determine the alternator type or output. See repair instruction manual for additional information.



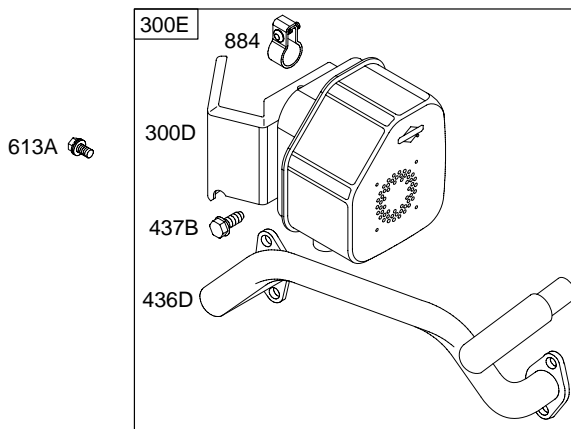


Illustrations cover a range of engines. Parts shown without corresponding text may not be used on your specific engine.
6008-7 Assemblies include all parts shown in frames. 06/16/2005

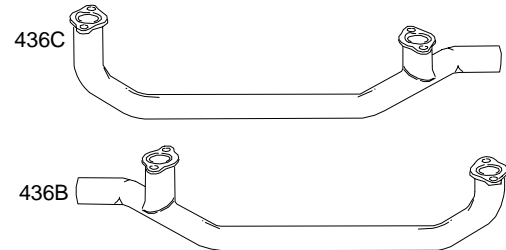
305700



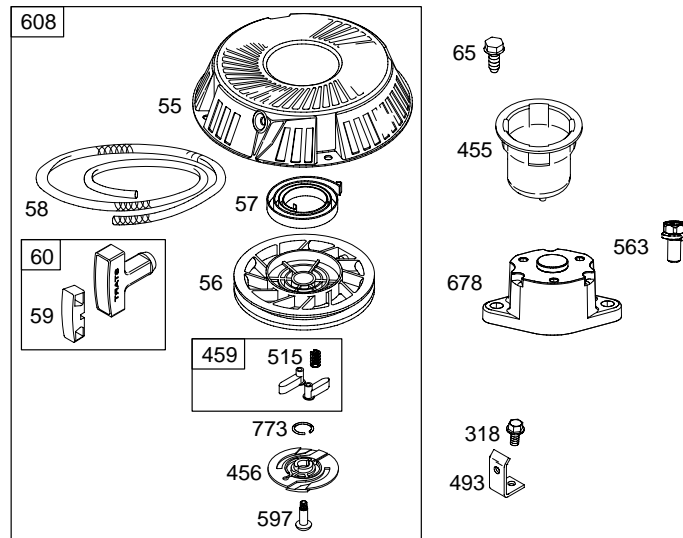
613



883A

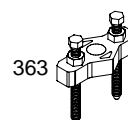
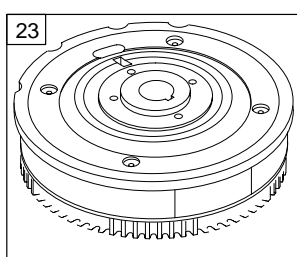
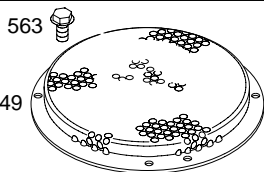
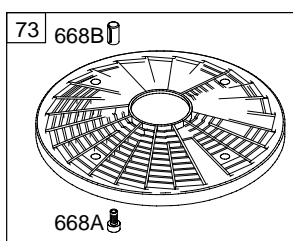
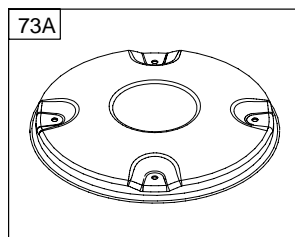


Illustrations cover a range of engines. Parts shown without corresponding text may not be used on your specific engine.
6008-8 Assemblies include all parts shown in frames. 06/16/2005

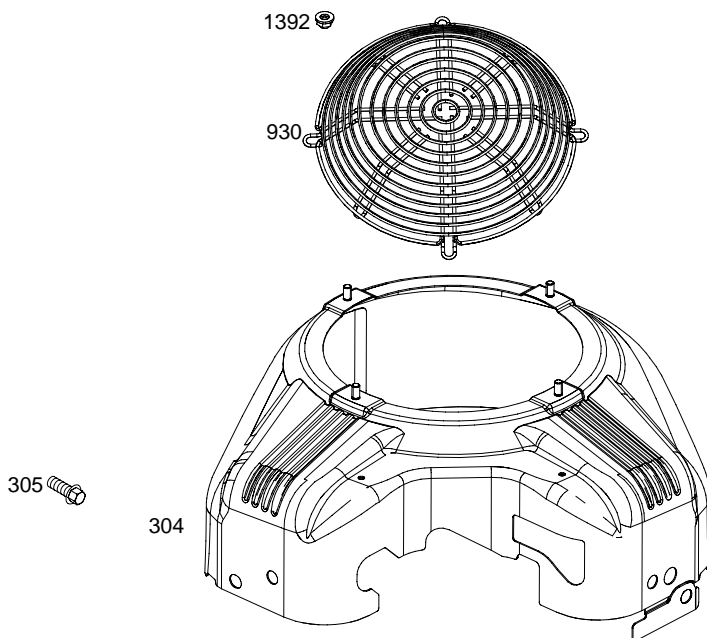


6008-9 *Illustrations cover a range of engines. Parts shown without corresponding text may not be used on your specific engine.* Assemblies include all parts shown in frames. 06/16/2005

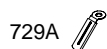
305700



Illustrations cover a range of engines. Parts shown without corresponding text may not be used on your specific engine.
6008-10 Assemblies include all parts shown in frames. 06/16/2005

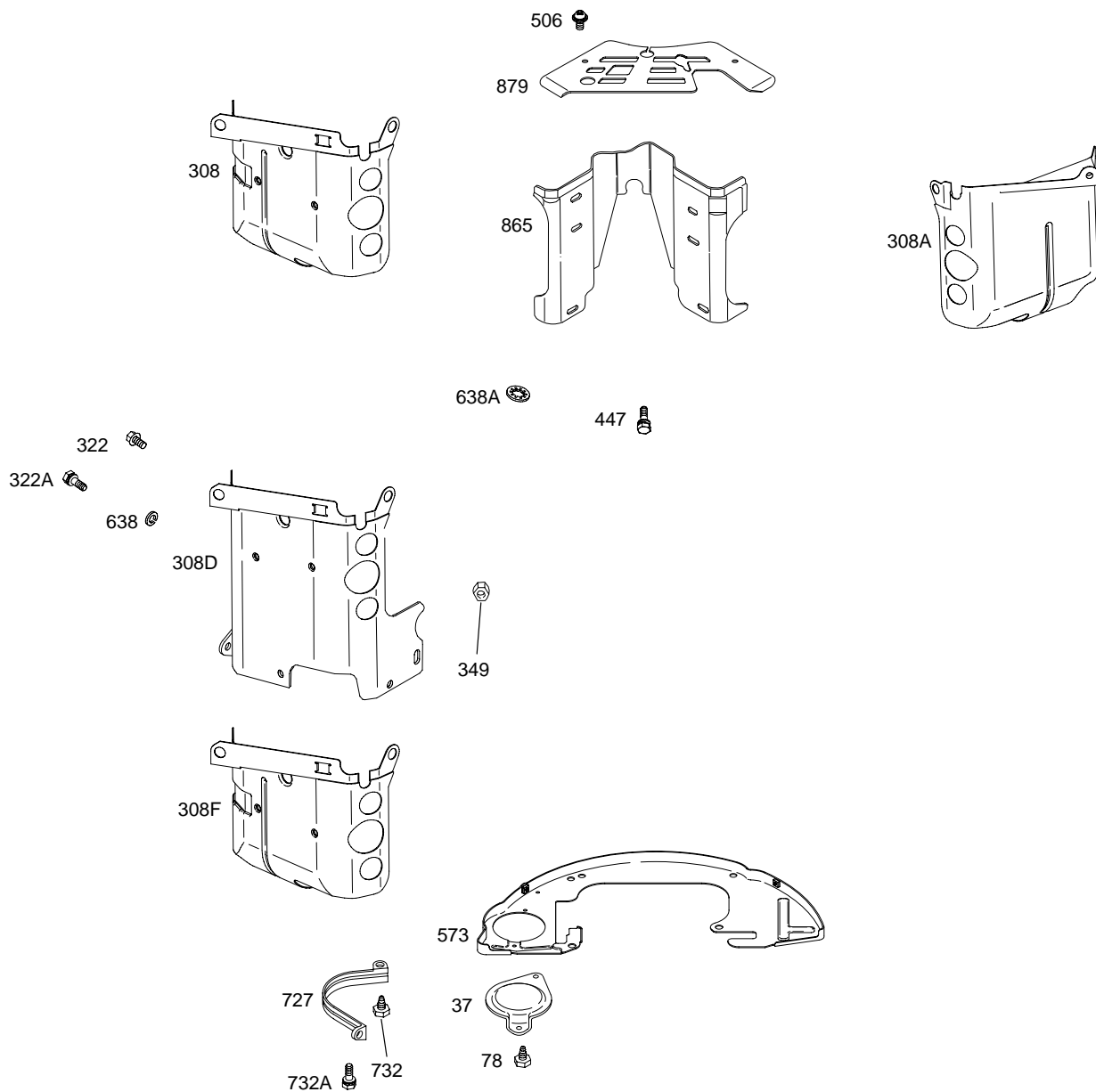


1036 EMISSION LABEL

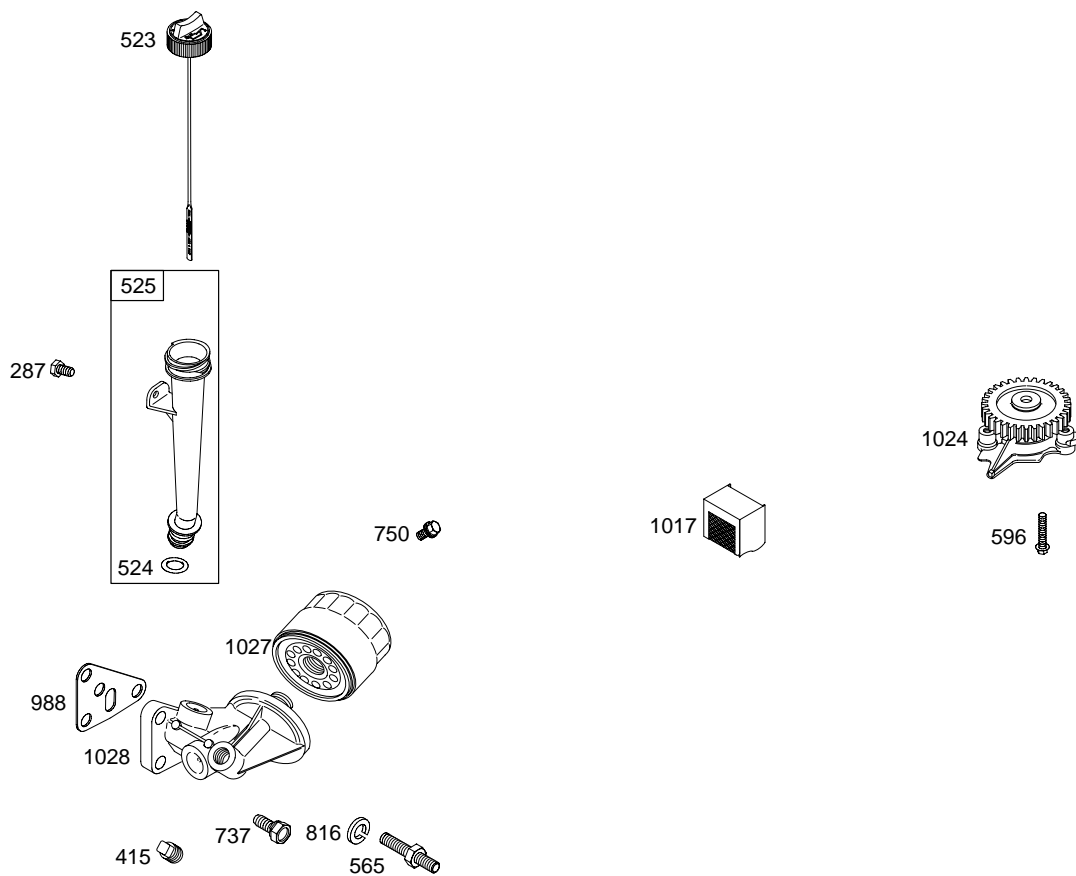


Illustrations cover a range of engines. Parts shown without corresponding text may not be used on your specific engine.
6008-11 Assemblies include all parts shown in frames. 06/16/2005

305700



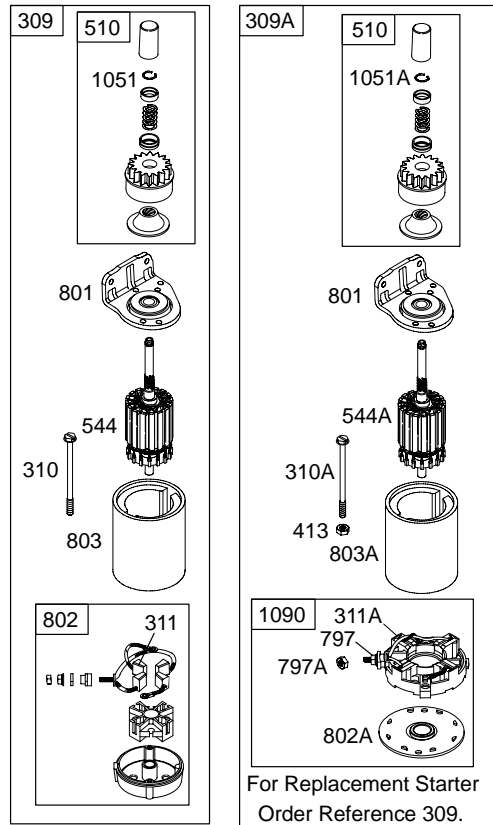
Illustrations cover a range of engines. Parts shown without corresponding text may not be used on your specific engine.
6008-12 Assemblies include all parts shown in frames. 06/16/2005



Illustrations cover a range of engines. Parts shown without corresponding text may not be used on your specific engine.
6008-13 Assemblies include all parts shown in frames. 06/16/2005

305700

697 



Illustrations cover a range of engines. Parts shown without corresponding text may not be used on your specific engine.
6008-14 Assemblies include all parts shown in frames. 06/16/2005

305700

REF. NO.	PART NO.	DESCRIPTION	REF. NO.	PART NO.	DESCRIPTION	REF. NO.	PART NO.	DESCRIPTION
1	692543	Cylinder Assembly	29	807900	Rod-Connecting (Standard)	73A	841662	Screen-Rotating
2	808534	Kit-Bushing/Seal (Magneto Side)			----- Note -----			841440 Screen- Rotating
3	★805101	Seal-Oil (Magneto Side)			807803 Rod- Connecting (.020" Undersize)			Used on Type No(s). 0032, 0111, 0112, 0113.
4	808846	Sump-Engine	32	690698	Screw (Connecting Rod)	74A	841441	Screw (Rotating Screen)
5	809200	Head-Cylinder (Cylinder 1)	33	807681	Valve-Exhaust	78	690688	Screw (Flywheel Guard)
5A	809201	Head-Cylinder (Cylinder 2)	34	807680	Valve-Intake	94	●808258	Kit-Idle Mixture
7	★△806085	Gasket-Cylinder Head	35	692084	Spring-Valve (Intake)	95	690728	Screw (Throttle Valve)
8	808988	Breather Assembly	36	692084	Spring-Valve (Exhaust)	97	808323	Shaft-Throttle
9	★809094	Gasket-Breather	37	841309	Guard-Flywheel	98	807705	Kit-Idle Speed
10	690751	Screw (Breather Assembly)	40	692058	Retainer-Valve	104	●690739	Pin-Float Hinge
11	806083	Tube-Breather	42	807683	Keeper-Valve	105	●807706	Valve-Float Needle
12	★691684	Gasket-Crankcase	45	690977	Tappet-Valve	108	690729	Valve-Choke
13	692059	Screw (Cylinder Head)	46	691557	Camshaft	109	807711	Shaft-Choke
15	690946	Plug-Oil Drain (Square Head)	50B	690754	Manifold-Intake	117	●806487	Jet-Main (Standard)
16	692159	Crankshaft	51	★691694	Gasket-Intake (Intake Manifold To Carburetor)	121	808807	Kit-Carburetor Overhaul
20	★805049	Seal-Oil (PTO Side)	51B	★△692035	Gasket-Intake (Manifold to Head)	122A	690753	Spacer-Carburetor
22	807362	Screw (Crankcase Cover/Sump)	53	690746	Stud (Carburetor)	125	808728	Carburetor
23	841825	Flywheel ----- Note ----- 841657 Flywheel Used on Type No(s). 0110, 0117, 0118.	54	690676	Screw (Intake Manifold)	127	●690730	Plug-Welch
25	807619	Piston Assembly (Standard) ----- Note ----- 807809 Piston Assembly (.020" Oversize)	55	691568	Housing-Rewind Starter	127A	●690731	Plug-Welch
26	807620	Ring Set (Standard) ----- Note ----- 807810 Ring Set (.020" Oversize)	56	692085	Pulley-Starter	130	690732	Valve-Throttle
27	690683	Lock-Piston Pin	57	692086	Spring-Rewind Starter	133	807710	Float-Carburetor
28	807621	Pin-Piston	58	66574	Rope-Starter (Cut To Required Length)	137	●★806481	Gasket-Float Bowl
			59	805957	Insert-Grip	142	●806635	Nozzle-Carburetor (Standard)
			60	808167	Grip-Starter Rope	146	691639	Key-Timing
			65	691982	Screw (Rewind Starter)	161	691561	Base-Air Cleaner (Metal)
			72	●806488	Tube-Jet	163	★692081	Gasket-Air Cleaner
			73	494439	Screen-Rotating	185	690939	Nut (Air Cleaner Base)

★ Included in Engine Gasket Set-Ref. No. 358.

● Included in Carburetor Overhaul Kit-Ref. No. 121.

◆ Included in Carburetor Gasket Set-Ref. No. 977.

△ Included in Valve Gasket Set-Ref. No. 1095.

Illustrations cover a range of engines. Parts shown without corresponding text may not be used on your specific engine.

6008-15

Assemblies include all parts shown in frames.

06/16/2005

305700

REF. NO.	PART NO.	DESCRIPTION	REF. NO.	PART NO.	DESCRIPTION	REF. NO.	PART NO.	DESCRIPTION
187	791766	Line-Fuel ----- Note ----- 791745 Line-Fuel (Used After Code Date 05070300). Used on Type No(s). 0032, 0112, 0113, 0117, 0118. 296004 Line-Fuel (Used Before Code Date 05070400). Used on Type No(s). 0032, 0112, 0113, 0117, 0118.	267	692083	Screw (Casing Clamp)	308D	841317	Cover-Cylinder Head (Cylinder 1) Used on Type No(s). 0115.
187A	841858	Line-Fuel	268	691025	Casing-Control Wire (Cut To Required Length)	308F	841182	Cover-Cylinder Head (Cylinder 2)
188	692056	Screw (Control Bracket)	269	691026	Wire-Control (Cut To Required Length)	309	691564	Motor-Starter
192	807623	Adjuster-Rocker Arm	270	691027	Nut (Control Wire Casing)	309A		Motor-Starter (Services Steel Ring Gear Only)(For Replacement Starter Motor, See Reference 309)
203	690923	Crank-Bell	271	691028	Lever-Control	310	496880	Screw (Starter Motor)
209	692070	Spring-Governor ----- Note ----- 692071 Spring- Governor Used on Type No(s). 0032, 0113. 692072 Spring- Governor Used on Type No(s). 0115. 691508 Spring- Governor Used on Type No(s). 0111.	276	690704	Washer-Sealing	310A	690323	Screw (Starter Motor)
211	692069	Spring-Governed Idle	276A	★△807085	Washer-Sealing	311	496887	Brush Set
212	690712	Link-Throttle	276B	◆806476	Washer-Sealing	311A	497608	Brush Set
216	690705	Link-Choke	276C	◆806477	Washer-Sealing	318	841233	Screw (Mounting Bracket)
222	808454	Bracket-Control	278	842122	Washer (Governor Control Lever)	322	841233	Screw (Cylinder Head Cover)
226	692075	Rod-Hand Choke	287	807084	Screw (Dipstick Tube)	322A	692067	Screw (Cylinder Head Cover)
227	690236	Lever-Governor Control	300B	498984	Muffler Used on Type No(s). 0117, 0118.	333	492341	Armature-Magneto
231	690728	Screw (Choke Valve)	300D	807953	Muffler Used on Type No(s). 0110.	334	692066	Screw (Magneto Armature)
232	692073	Spring-Governor Link	300E	807969	Muffler Used on Type No(s). 0110.	337	491055	Plug-Spark
234	691723	Clip-Control Rod	300F	807752	Muffler Used on Type No(s). 0117, 0118.	349	690238	Nut (Cylinder Head Cover)
240	691035	Filter-Fuel	304	841828	Housing-Blower ----- Note ----- 841658 Housing- Blower Used on Type No(s). 0110, 0117.	351	692083	Screw (Ground Terminal)
254	807713	Drain-Carburetor Bowl	305	692056	Screw (Blower Housing)	355	842122	Washer (Muffler Bracket)
265	691024	Clamp-Casing	308	841232	Cover-Cylinder Head (Cylinder 1)	356	807063	Wire-Stop Used on Type No(s). 0113.
			308A	841316	Cover-Cylinder Head (Cylinder 2) Used on Type No(s). 0115.	357	691483	Key-Drive Pulley
						358	841188	Gasket Set-Engine
						359	691077	Washer (Ground Terminal)
						363	19203	Puller-Flywheel
						373	691612	Nut (Ground Terminal)
						377	808095	Key-Woodruff

★ Included in Engine Gasket Set-Ref. No. 358.

● Included in Carburetor Overhaul Kit-Ref. No. 121.

◆ Included in Carburetor Gasket Set-Ref. No. 977.

△ Included in Valve Gasket Set-Ref. No. 1095.

Illustrations cover a range of engines. Parts shown without corresponding text may not be used on your specific engine.

6008-16

Assemblies include all parts shown in frames.

06/16/2005

305700

REF. NO.	PART NO.	DESCRIPTION	REF. NO.	PART NO.	DESCRIPTION	REF. NO.	PART NO.	DESCRIPTION
383	19374	Wrench-Spark Plug	493	691503	Bracket-Mounting	597	690876	Screw (Pawl Friction Plate)
385	807084	Screw (Fuel Pump)	501	691185	Regulator (3 Wire)(16 Amp)	601	841859	Clamp-Hose
387	808656	Pump-Fuel	501A	691188	Regulator (2 Wire)(9 Amp)	601A	95162	Clamp-Hose
413	693587	Nut (Starter Motor)	505	690238	Nut (Governor Control Lever)	608	841729	Starter-Rewind
415	690283	Plug (Square Head)	506	690677	Screw (Carburetor Cover)	613	690297	Screw (Muffler)
436B	691502	Manifold-Exhaust Used on Type No(s). 0117.	507	691972	Insulator	613A	691902	Screw (Muffler)
436C	691501	Manifold-Exhaust Used on Type No(s). 0115.	510	496881	Drive-Starter	615	691550	Retainer-Governor Shaft
436D	805778	Manifold-Exhaust (Wide Area Walker) Used on Type No(s). 0110.	515	691528	Spring-Pawl	616	806685	Crank-Governor
436E	805609	Manifold-Exhaust	520	691084	Terminal-Ground	628A	806660	Screw (Fuel Pump Bracket)
437	691902	Screw (Exhaust Manifold)	523	692101	Dipstick	633	◆690738	Seal-Choke/Throttle Shaft
437B	692062	Screw (Exhaust Manifold)	524	★693172	Seal-Dipstick Tube	635	692076	Boot-Spark Plug
439	692154	Seal-O Ring (Crankcase Cover/Sump)	525	692093	Tube-Dipstick	637	●690735	Washer (Throttle Shaft)
445	394018	Filter-Air Cleaner Cartridge	526	692067	Screw (Regulator)(10-16 Amp Regulated)	638	691551	Washer (Cylinder Head Cover)
447	807163	Screw (Air Guide Cover)	526A	690717	Screw (Regulator)(5 To 9 Amp Regulated)	638A	690706	Washer (Cylinder Head Cover)
455	841794	Cup-Flywheel	527	690423	Clamp-Tube	643	692079	Retainer-Air Filter
456	691529	Plate-Pawl Friction	529	690744	Grommet	668A	691500	Spacer
459	808166	Pawl-Ratchet	544	690855	Armature-Starter	668B	●690737	Spacer
467	691985	Knob-Air Cleaner	544A	693548	Armature-Starter	676	393761	Deflector-Muffler
474A	696578	Alternator (DC Only) Used on Type No(s). 0117.	552	690701	Bushing-Governor Crank	677	690661	Screw (Muffler Deflector)
474C	696457	Alternator (9 Amp Regulated) Used on Type No(s). 0110, 0118.	552A	806686	Bushing-Governor Crank	678	841730	Spacer-Rewind
474D	696458	Alternator (10-16 Amp Regulated)	562	690239	Bolt (Governor Control Lever)	691	★690680	Seal-Governor Shaft
			563	841735	Screw (Debris Screen Guard)	697	692062	Screw (Drive Cap)
			565	690682	Stud (Oil Filter Adapter)	706	805484	Washer (Breather Assembly)
			572	690686	Baffle-Breather	711A	807084	Screw (Carburetor Shield)
			573	841310	Plate-Back	718	806469	Pin-Locating
			578	692306	Wire Assembly	725	806102	Shield-Heat
			578A	692319	Wire Assembly	727	841313	Cover-Starter Drive
			596	691492	Screw (Oil Pump)	728	690297	Screw (Heat Shield)

★ Included in Engine Gasket Set-Ref. No. 358.

● Included in Carburetor Overhaul Kit-Ref. No. 121.

◆ Included in Carburetor Gasket Set-Ref. No. 977.

△ Included in Valve Gasket Set-Ref. No. 1095.

Illustrations cover a range of engines. Parts shown without corresponding text may not be used on your specific engine.

6008-17

Assemblies include all parts shown in frames.

06/16/2005

305700

REF. NO.	PART NO.	DESCRIPTION	REF. NO.	PART NO.	DESCRIPTION	REF. NO.	PART NO.	DESCRIPTION
729	690586	Clip-Wire	877A	393814	Wire/Connector-Alternator (DC Only)	1025	690689	Spool-Governor
729A	805965	Clip-Wire Used on Type No(s). 0118.	877B	399916	Wire/Connector-Alternator (2 Wires, 7-53/64" Long)(2 Bare Wire Ends, And Insulated Snap Connect Male Pin Terminal)	1026	691836	Rod-Push (Intake)(Steel) ----- Note ----- 691758 Rod-Push (Exhaust)(Aluminum)
732	690688	Screw (Starter Drive Cover)	877C	393456	Wire/Connector-Alternator	1027	492932	Filter-Oil
732A	841233	Screw (Starter Drive Cover)	878A	691237	Harness-Alternator (2 Wires, 48-1/2", And 48-1/2" Long)(Snap Connect Female Pin Terminal,And 2 Bare Wire Ends)	1028	808235	Adapter-Oil Filter
737	690679	Screw (Oil Filter Adapter)	879	841861	Cover-Carburetor	1029	807323	Arm-Rocker
741	691530	Gear-Timing	883A	★△691613	Gasket-Exhaust	1036	841636	Label-Emissions (Used After Code Date 04063000). ----- Note ----- 806882 Label-Emissions (Used Before Code Date 04070100).
742	●805578	Retainer-E Ring	884	690898	Clamp-Muffler	1037	●807717	Ball-Choke Locator
748	692083	Screw (Control Rod Clip)	918	393815	Hose-Vacuum (Cut To Required Length)	1051	●690736	Ring-Retaining
750	841233	Screw (Oil Pump Cover)	930	841490	Guard-Rewind	1051A	691124	Ring-Retaining
773	690875	Retainer	947	806472	Solenoid-Fuel	1054	280275	Tie-Cable
788	691559	Bracket-Fuel Pump	949	690475	Guard-Debris Screen	1058	275071	Operator's Manual
789	698332	Harness-Wiring	950	691511	Screw-Float Bowl	1090	691293	Retainer-Brush
797	693167	Nut (Brush Retainer)	955	807714	Plug-Carburetor	1091	691515	Cap-Limiter
797A	691029	Nut (Brush Retainer)	967	272490	Filter-Pre Cleaner	1095	808392	Gasket Set-Valve
801	808778	Cap-Drive	968	699959	Cover-Air Cleaner	1100	690973	Pivot-Rocker Arm
802	496813	Cap-End	971	807084	Screw (Air Cleaner Base to Carburetor)	1119	691552	Screw (Alternator)
802A	691286	Cap-End	975	807715	Bowl-Float	1130	690746	Stud (Intake Manifold)
803	690854	Housing-Starter	977	808325	Gasket Set-Carburetor	1254	807084	Screw (Rocker Cover Stud)
803A	693547	Housing-Starter	987	●◆691548	Seal-Throttle Shaft	1330	272144	Repair Manual
807	●690733	Spacer-Throttle	988	★692063	Gasket-Oil Adapter	1392	690939	Nut (Rewind Guard)
816	690706	Washer (Oil Filter Adapter)	996	691577	Shield-Carburetor			
819A	692056	Screw (Muffler Bracket)	1004	841656	Duct-Air			
819C	692537	Screw (Muffler Bracket)	1017	690878	Screen-Oil Pump			
830	809157	Stud-Rocker Arm	1019	808036	Kit-Label			
833	690872	Screw (Air Cleaner Mounting Strap/Stud)	1022	★△806039	Gasket-Rocker Cover			
851	493880	Terminal-Spark Plug	1023A	691558	Cover-Rocker			
862	692542	Strap/Stud-Air Cleaner Mounting	1023B	691494	Cover-Rocker			
863B	805610	Bracket-Muffler	1024	693186	Pump-Oil			
865	807119	Cover-Air Guide						
868	★△691963	Seal-Valve						
871	692057	Bushing-Valve Guide						

★ Included in Engine Gasket Set-Ref. No. 358.

● Included in Carburetor Overhaul Kit-Ref. No. 121.

◆ Included in Carburetor Gasket Set-Ref. No. 977.

△ Included in Valve Gasket Set-Ref. No. 1095.

Illustrations cover a range of engines. Parts shown without corresponding text may not be used on your specific engine.

6008-18

Assemblies include all parts shown in frames.

06/16/2005