



305400

Illustrated Parts List

Model Series

305400

TYPE NUMBERS
0005 to 0157, 0165 to 1410.

TABLE OF CONTENTS

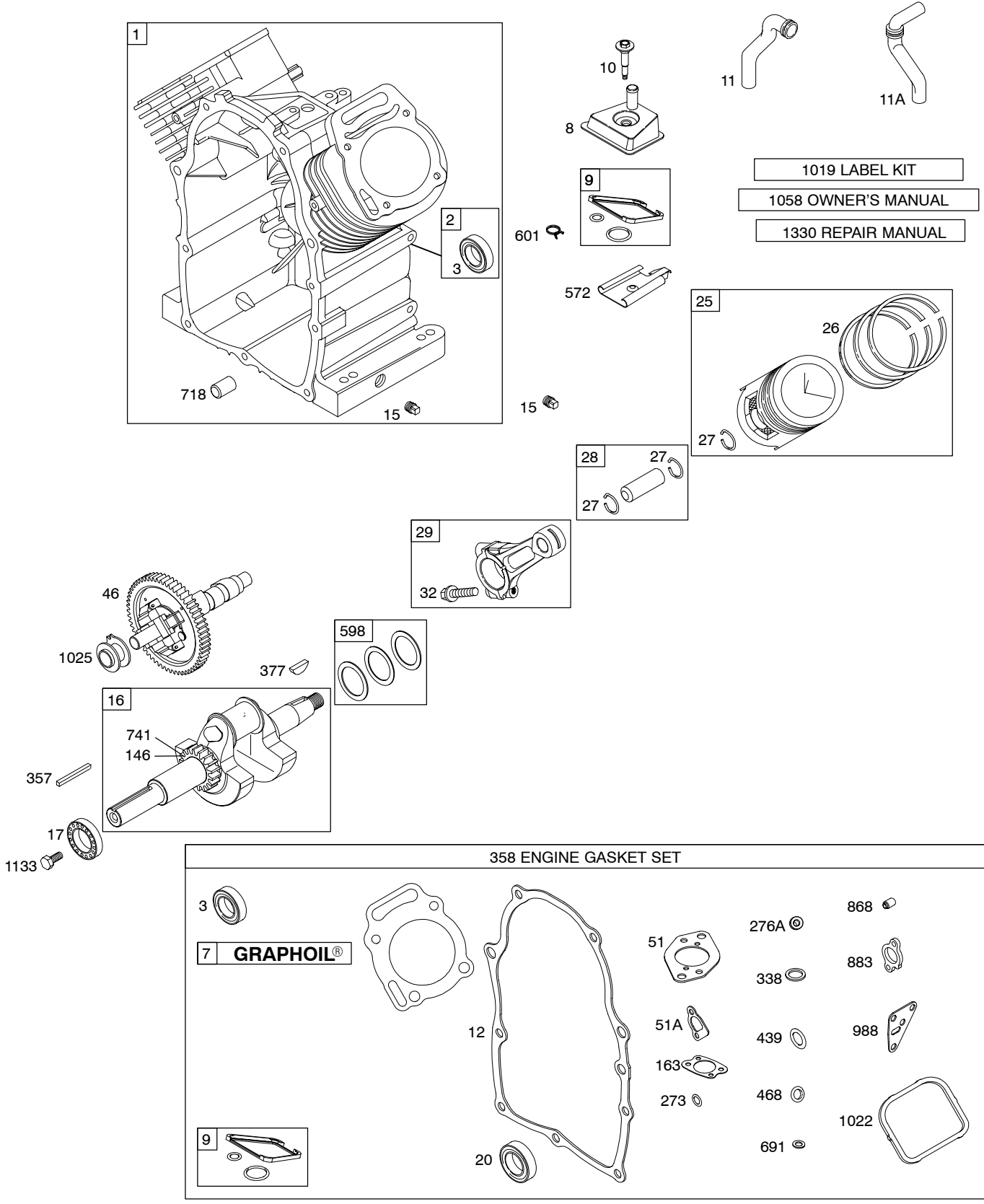
Air Cleaner	7
Alternator	15
Blower Housing	12
Camshaft	2
Carburetor	6
Controls	10
Crankcase Cover	4
Crankshaft	2
Cylinder	2
Cylinder Head	3
Electric Starter	16
Exhaust System	8
Flywheel	13
Fuel Supply	9
Gasket Set - Engine	2
Gasket Set - Valves	3
Governor Spring	10
Ignition	15
Intake Manifold	4
Inverter	15
Kit-Carburetor Overhaul	6
Lubrication	5
Piston, Rings, Connecting Rod	2
Rewind Starter	14
Shrouds	11
Valves	3

PRINTED IN U.S.A.

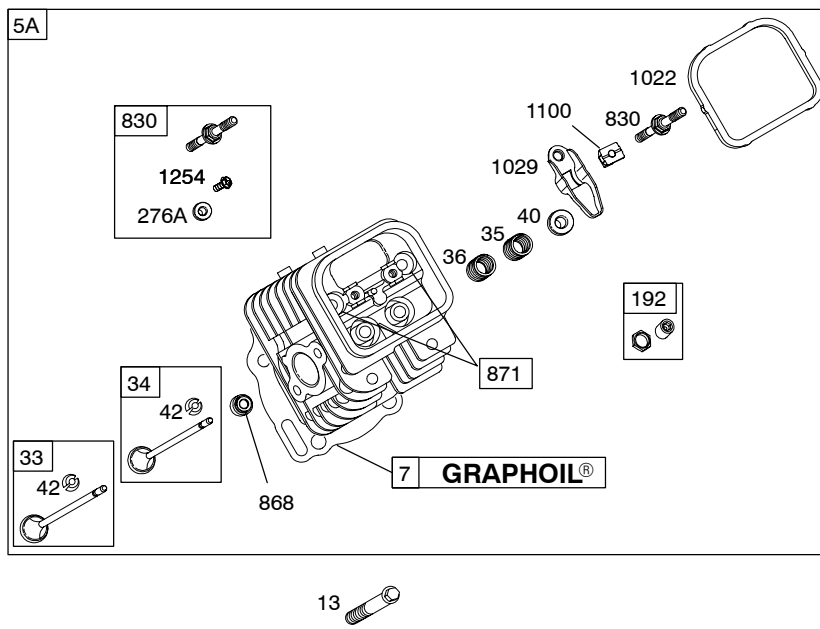
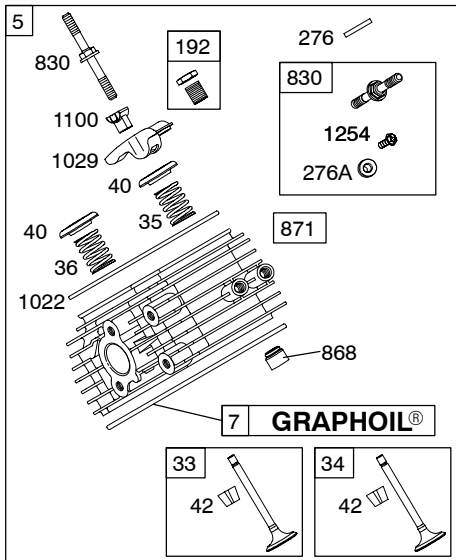
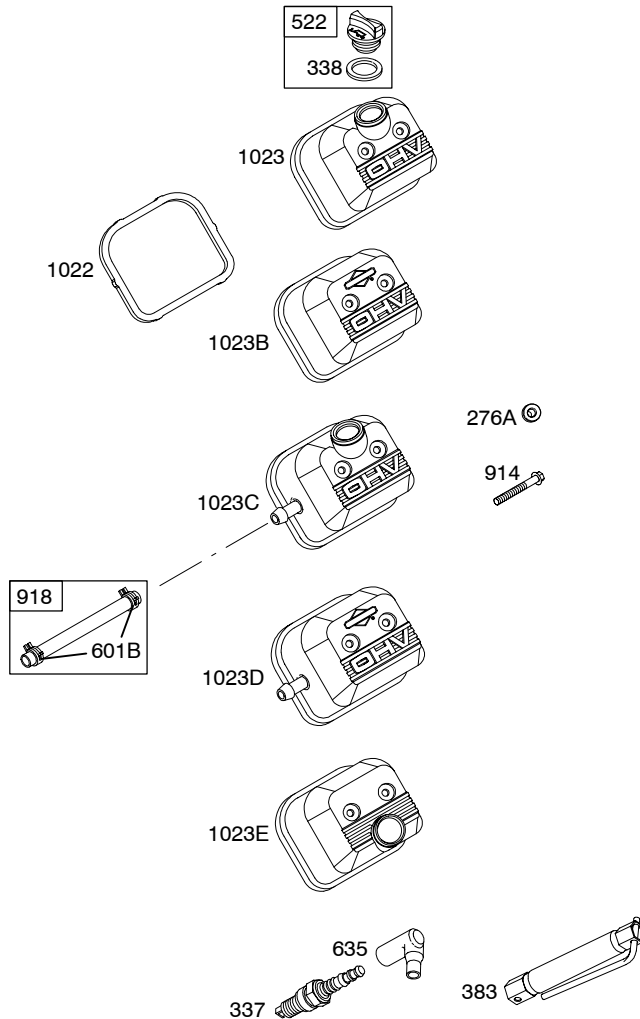
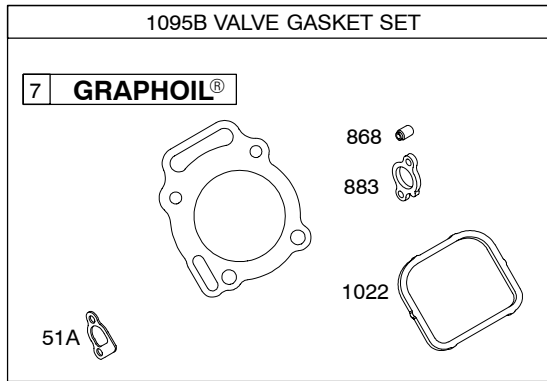


COPYRIGHT by BRIGGS & STRATTON CORPORATION
All rights reserved. No part of this material may be reproduced or transmitted, in any form or by any means, electronic or mechanical, including photocopying, recording or by any information storage and retrieval system, without permission in writing from Briggs & Stratton Corporation.

305400

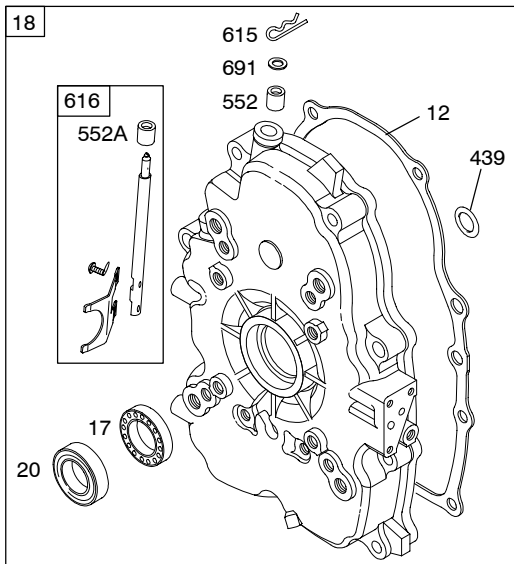
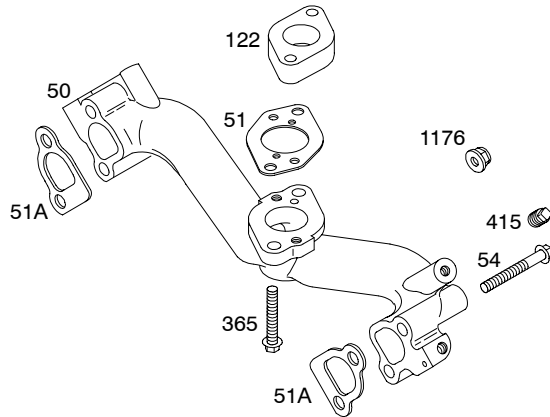


Illustrations cover a range of engines. Parts shown without corresponding text may not be used on your specific engine.
 6141-2 Assemblies include all parts shown in frames. 10/25/2005

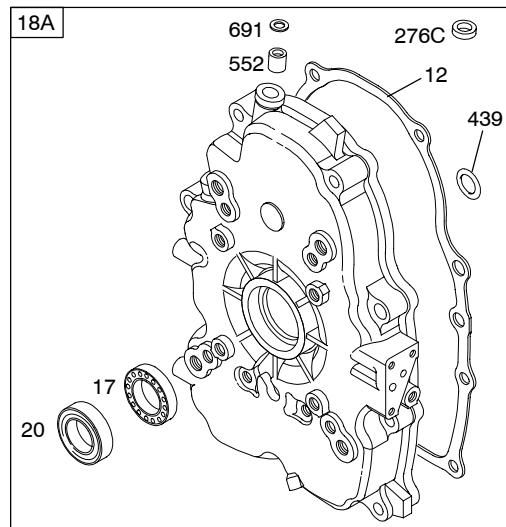
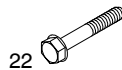


6141-3 *Illustrations cover a range of engines. Parts shown without corresponding text may not be used on your specific engine.* Assemblies include all parts shown in frames. 10/25/2005

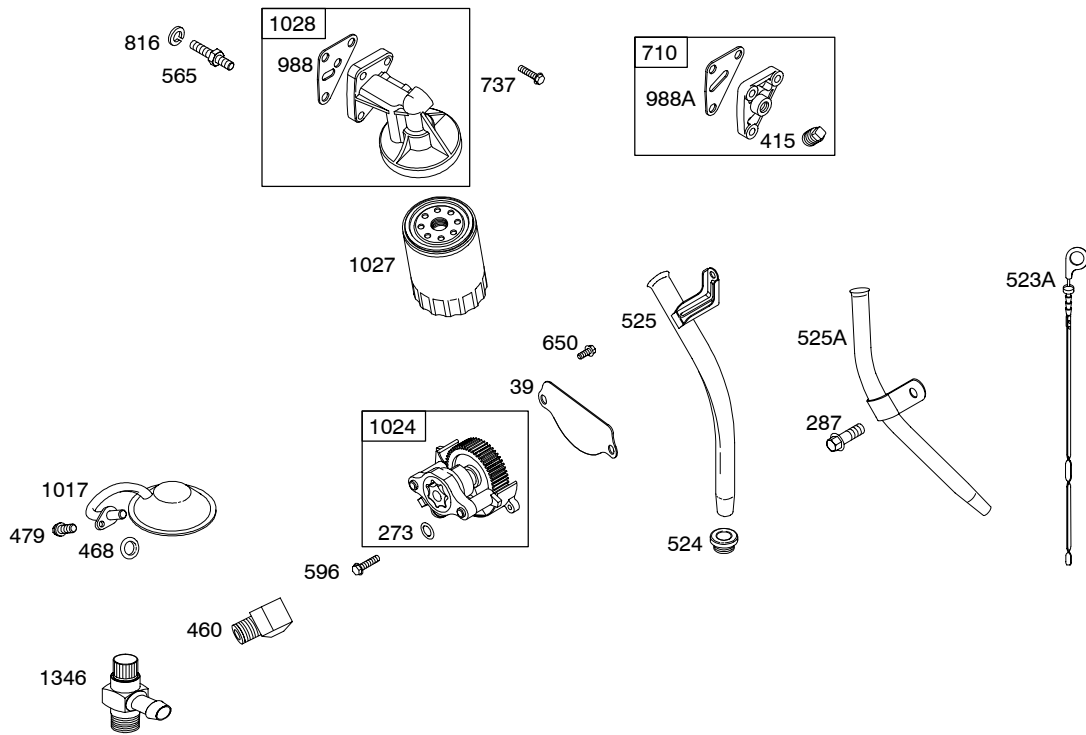
305400



- 276
- 691
- 552

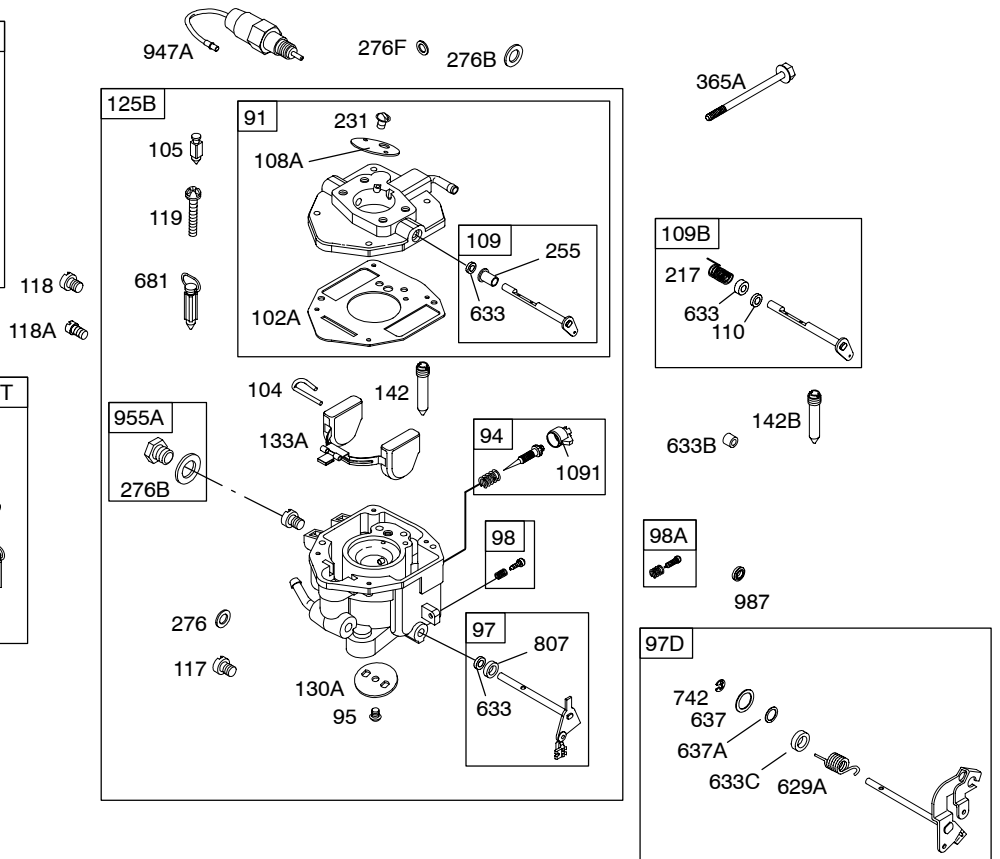
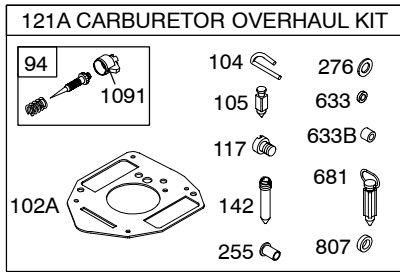
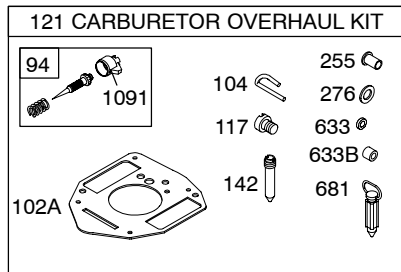


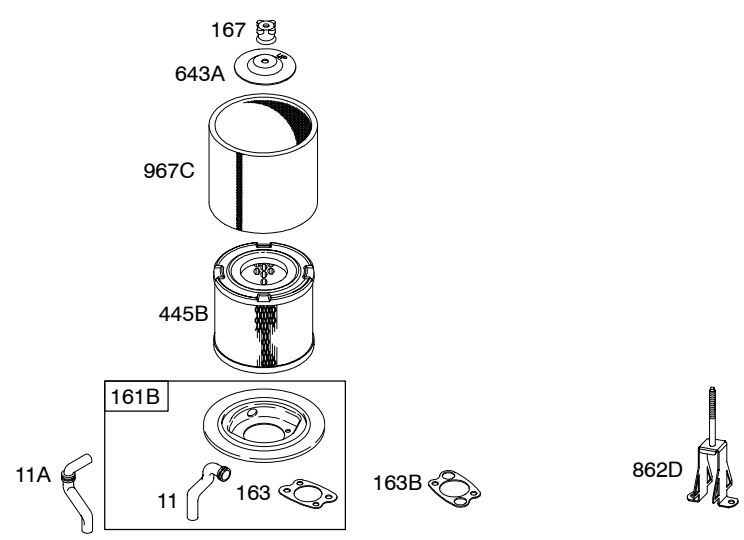
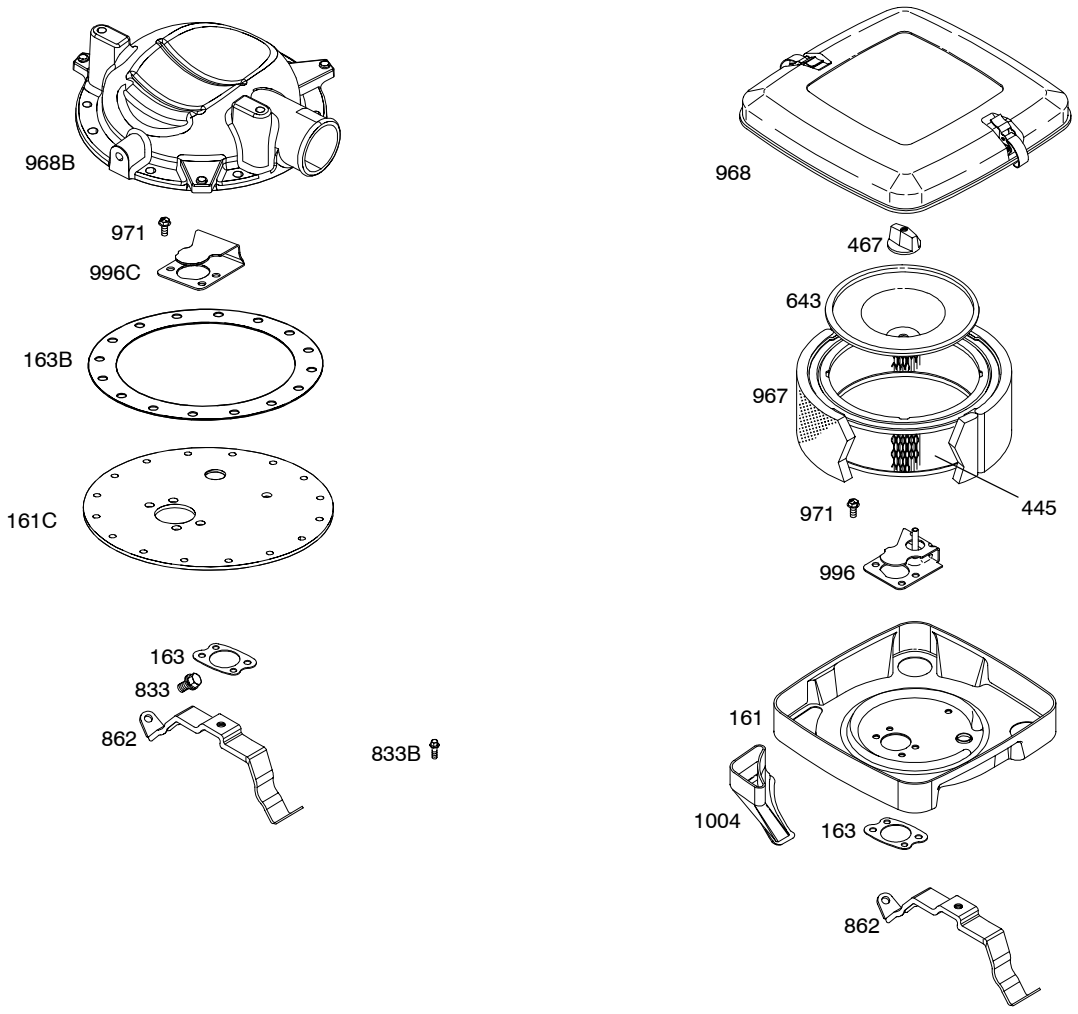
Illustrations cover a range of engines. Parts shown without corresponding text may not be used on your specific engine.
 6141-4 Assemblies include all parts shown in frames. 10/25/2005



Illustrations cover a range of engines. Parts shown without corresponding text may not be used on your specific engine.

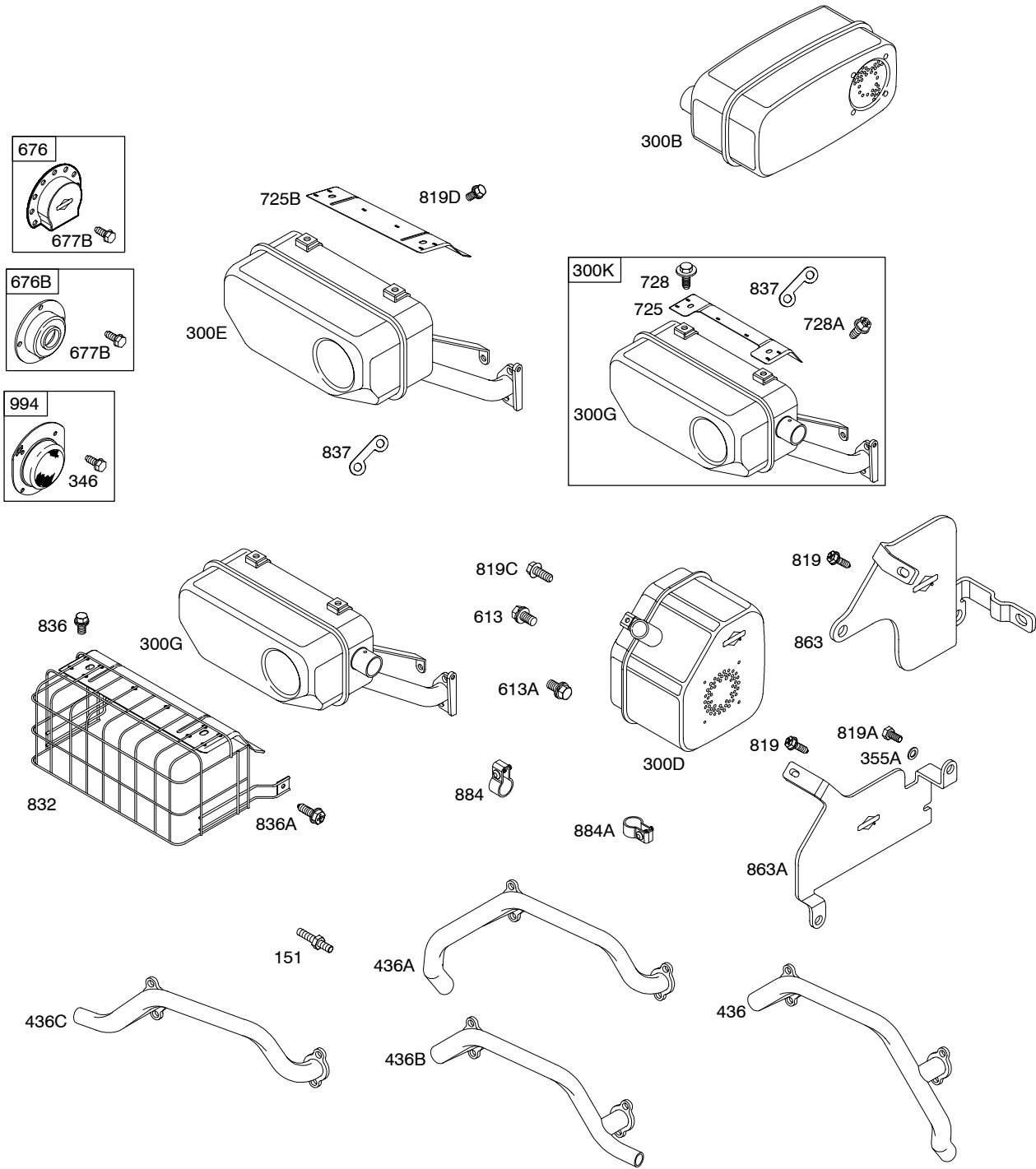
305400



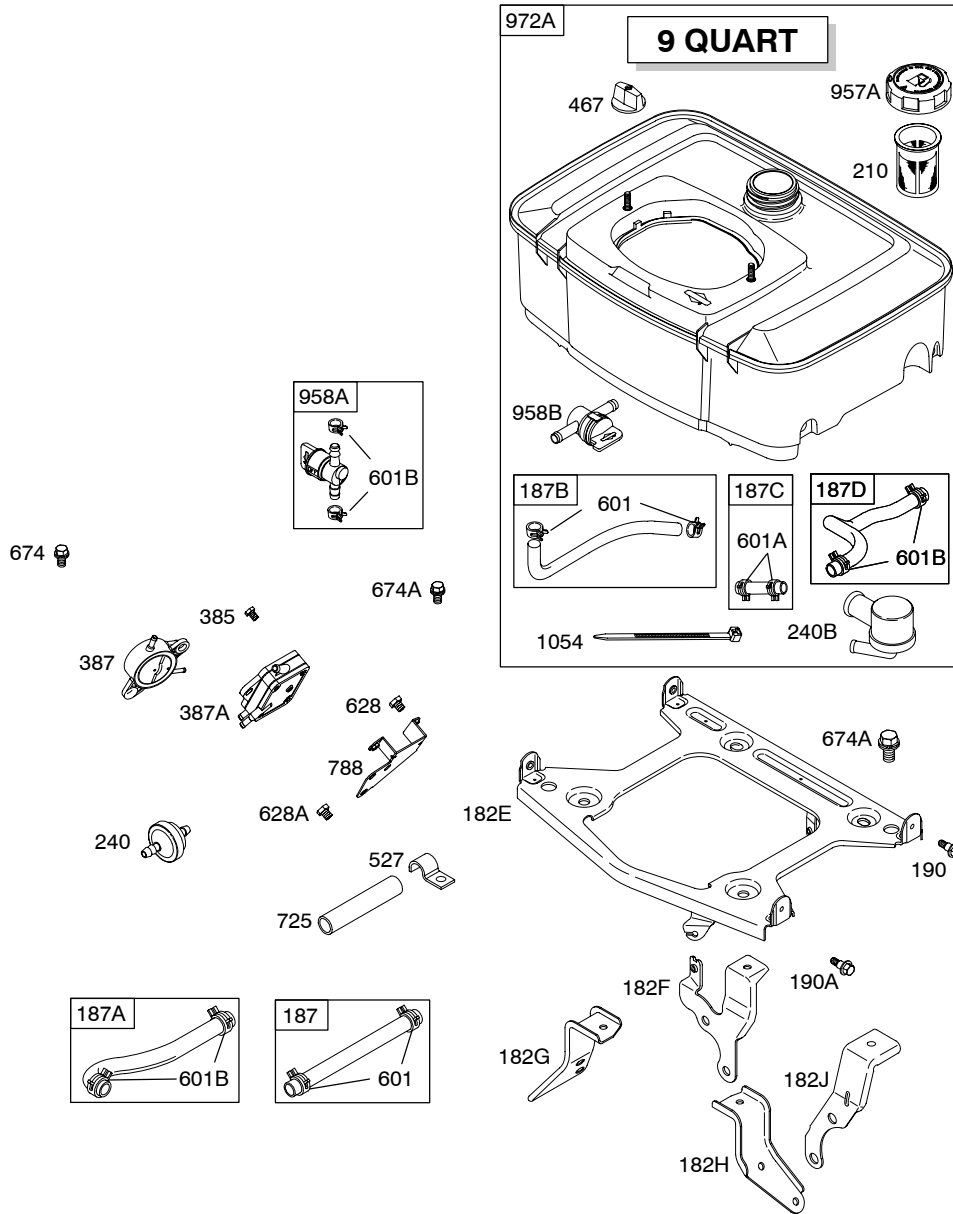


Illustrations cover a range of engines. Parts shown without corresponding text may not be used on your specific engine.
6141-7 Assemblies include all parts shown in frames. **10/25/2005**

305400

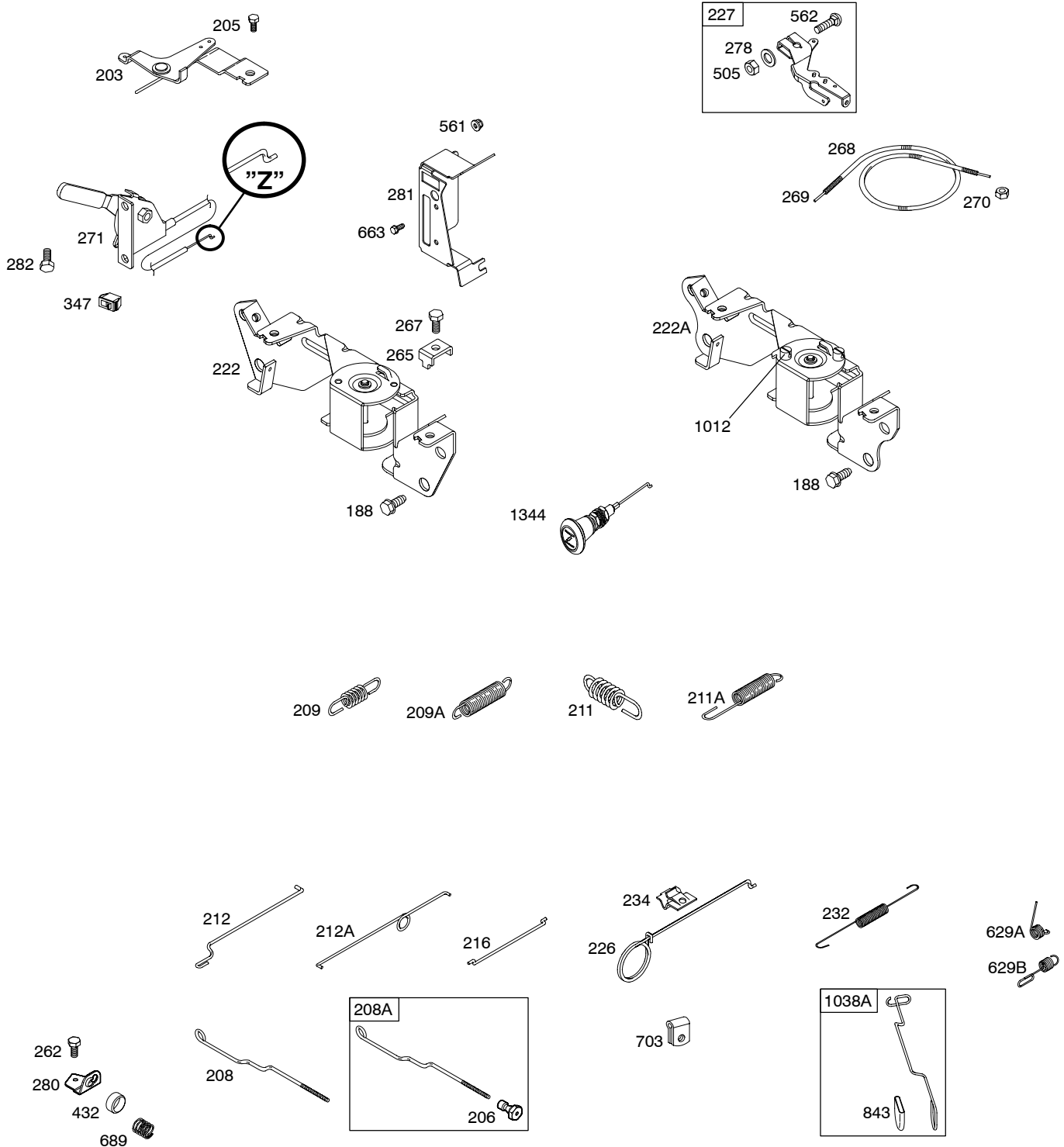


Illustrations cover a range of engines. Parts shown without corresponding text may not be used on your specific engine.
6141-8 Assemblies include all parts shown in frames. 10/25/2005

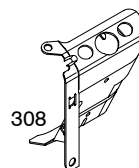
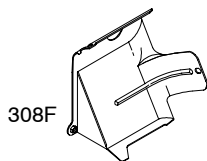
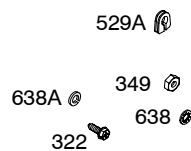
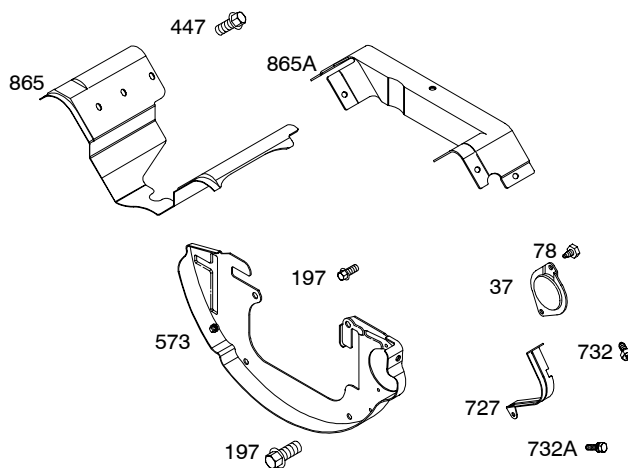


Illustrations cover a range of engines. Parts shown without corresponding text may not be used on your specific engine.
 6141-9 Assemblies include all parts shown in frames. 10/25/2005

305400



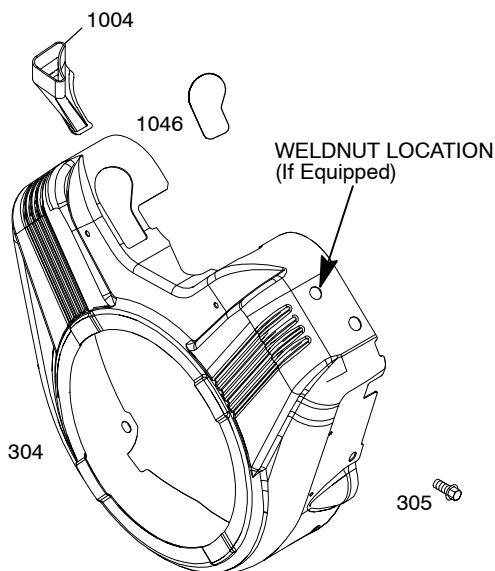
Illustrations cover a range of engines. Parts shown without corresponding text may not be used on your specific engine.
 6141-10 Assemblies include all parts shown in frames. 10/25/2005



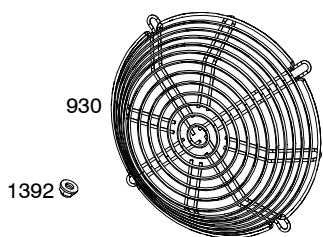
Illustrations cover a range of engines. Parts shown without corresponding text may not be used on your specific engine.
6141-11 Assemblies include all parts shown in frames.

10/25/2005

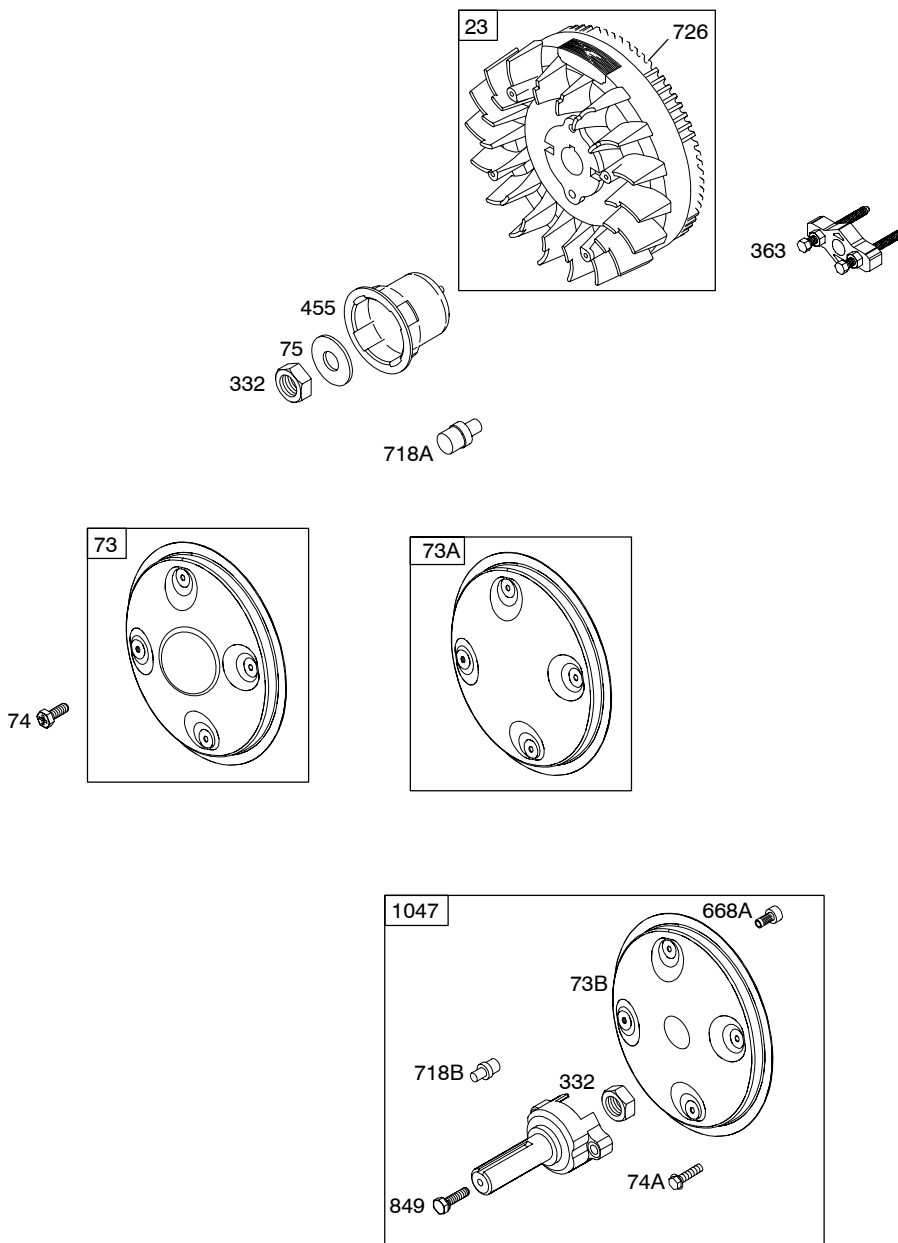
305400



1036 EMISSION LABEL

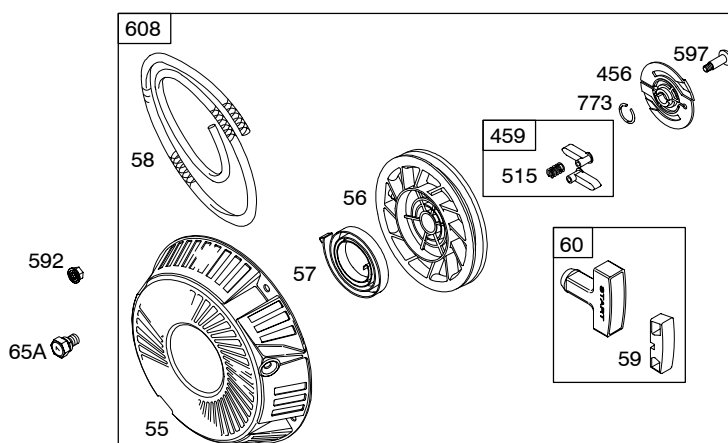


Illustrations cover a range of engines. Parts shown without corresponding text may not be used on your specific engine.

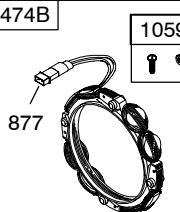
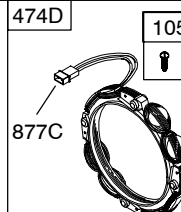
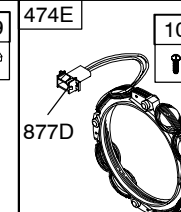
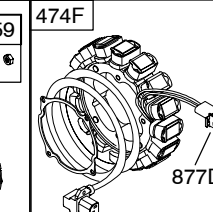
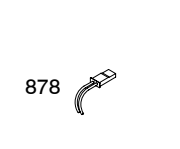
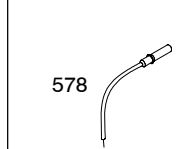
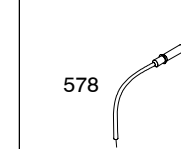
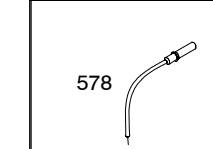

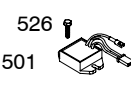
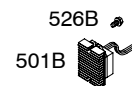


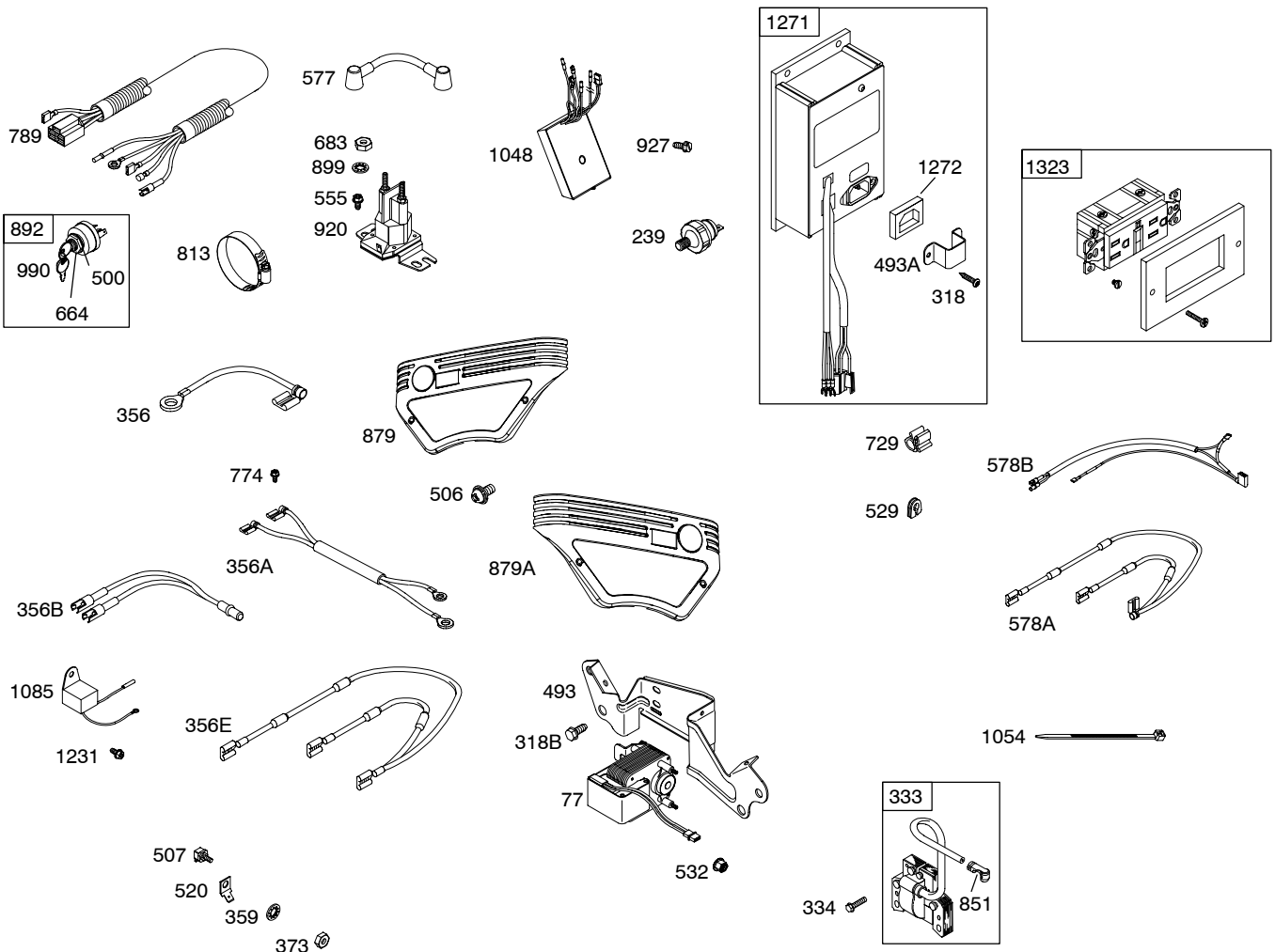
Illustrations cover a range of engines. Parts shown without corresponding text may not be used on your specific engine.
6141-13 Assemblies include all parts shown in frames. 10/25/2005

305400



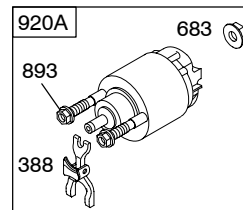
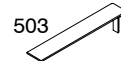
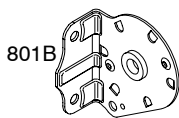
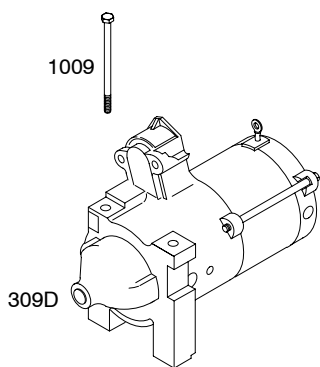
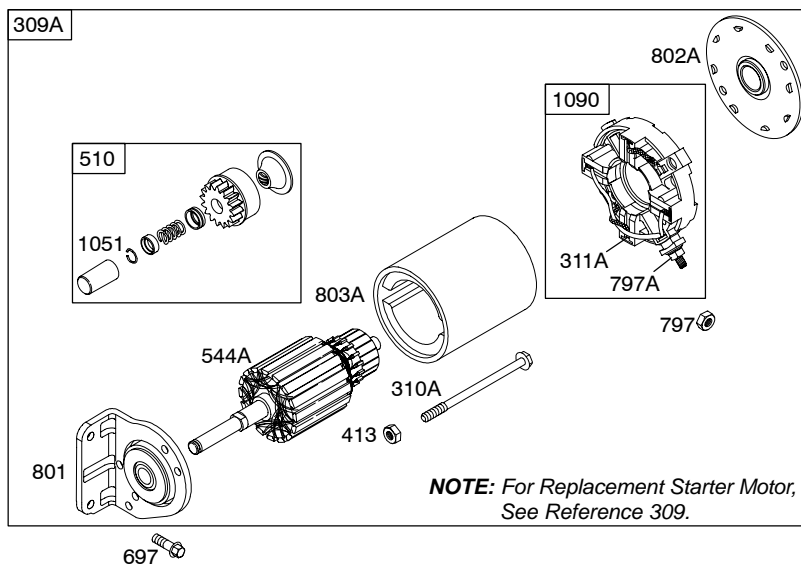
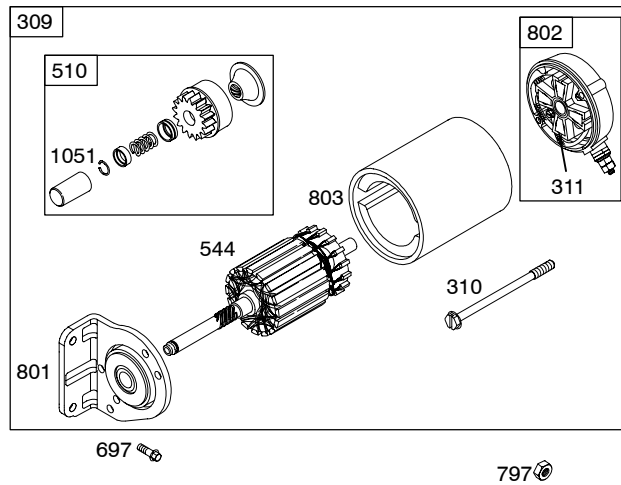
Illustrations cover a range of engines. Parts shown without corresponding text may not be used on your specific engine.
6141-14 Assemblies include all parts shown in frames. 10/25/2005

DUAL CIRCUIT	10 - 16 AMP	20 AMP	20 AMP POWER LINK
474B 	474D 	474E 	474F 
878 	578 	578 	578 
<p>NOTE: All stators use a No. 1119 mounting screw. </p> <p>NOTE: The proper flywheel part number and/or the alternator magnet size will determine the alternator type or output. See repair instruction manual for additional information.</p>		526 501 	526B 501B 



Illustrations cover a range of engines. Parts shown without corresponding text may not be used on your specific engine.
 6141-15 Assemblies include all parts shown in frames. 10/25/2005

305400



Illustrations cover a range of engines. Parts shown without corresponding text may not be used on your specific engine.
 6141-16 Assemblies include all parts shown in frames. 10/25/2005

305400

REF. NO.	PART NO.	DESCRIPTION	REF. NO.	PART NO.	DESCRIPTION	REF. NO.	PART NO.	DESCRIPTION
1	692178	Cylinder Assembly ----- Note ----- 841829 Cylinder Assembly Used on Type No(s). 0111. 841081 Cylinder Assembly Used on Type No(s). 0126, 0146.			692165 Crankshaft Used on Type No(s). 0169. 692169 Crankshaft Used on Type No(s). 0127.	25	807619	Piston Assembly (Standard) ----- Note ----- 807809 Piston Assembly (.020" Oversize)
2	808534	Kit-Bushing/Seal (Magneto Side)	17	690752	Bearing-Ball ----- Note ----- 691541 Bearing-Ball Used on Type No(s). 0127, 0144.	26	807620	Ring Set (Standard) ----- Note ----- 807810 Ring Set (.020" Oversize)
3	★805101s	Seal-Oil (Magneto Side)	18	808847	Cover-Crankcase ----- Note ----- 808508 Cover-Crankcase Used on Type No(s). 0005, 0145, 1409, 1410.	27	690683	Lock-Piston Pin
5	809200	Head-Cylinder				28	807621	Pin-Piston (Standard)
5A	809201	Head-Cylinder	18A	808851	Cover-Crankcase Used on Type No(s). 0127, 0144.	29	807900s	Rod-Connecting (Standard) ----- Note ----- 807803 Rod-Connecting (.020" Undersize)
7★Δ	806085s	Gasket-Cylinder Head				32	690698	Screw (Connecting Rod)
8	808984	Breather Assembly	20	★805049s	Seal-Oil (PTO Side)	33	807681	Valve-Exhaust
9	★809094	Gasket-Breather	22	807362	Screw (Crankcase Cover/Sump)	34	807680	Valve-Intake
10	690751	Screw (Breather Assembly)	23	841825	Flywheel ----- Note ----- 841830 Flywheel Used on Type No(s). 0111. 841908 Flywheel Used on Type No(s). 0114, 0127, 0156, 1409, 1410. 842514 Flywheel Used on Type No(s). 0119, 0135, 0147, 0181. 842515 Flywheel Used on Type No(s). 0142. 841657 Flywheel Used on Type No(s). 0169, 0170.	35	692084	Spring-Valve (Intake)
11	691556	Tube-Breather				36	692084	Spring-Valve (Exhaust)
11A	806083s	Tube-Breather				37	841309	Guard-Flywheel
12	★691684	Gasket-Crankcase				39	690745	Deflector-Oil
13	692059	Screw (Cylinder Head)				40	692058	Retainer-Valve
15	690946	Plug-Oil Drain				42	807683	Keeper-Valve
16	692161	Crankshaft ----- Note ----- 692168 Crankshaft Used on Type No(s). 0178. 692163 Crankshaft Used on Type No(s). 0005, 0078, 0113, 0115, 0116, 0133, 0145, 0171, 1409. 808975 Crankshaft Used on Type No(s). 0119, 1410. 841827 Crankshaft Used on Type No(s). 0110, 0111. 809212 Crankshaft Used on Type No(s). 0172. 692162 Crankshaft Used on Type No(s). 0077, 0144, 0192.				45	690977	Tappet-Valve
						46	691557	Camshaft ----- Note ----- 692157 Camshaft Used on Type No(s). 0005, 0145, 1409, 1410.
						50	690754	Manifold-Intake ----- Note ----- 692124 Manifold-Intake Used on Type No(s). 1409.
						51	691694	Gasket-Intake
						51A	★Δ692035	Gasket-Intake
						54	690676	Screw (Intake Manifold)

★ Included in Engine Gasket Set-Ref. No. 358.

● Included in Carburetor Overhaul Kit-Ref. No. 121 or 121A.

Δ Included in Valve Gasket Set-Ref. No. 1095B.

Illustrations cover a range of engines. Parts shown without corresponding text may not be used on your specific engine.

305400

REF. NO.	PART NO.	DESCRIPTION	REF. NO.	PART NO.	DESCRIPTION	REF. NO.	PART NO.	DESCRIPTION
55	691568	Housing-Rewind Starter	94	●808257	Kit-Idle Mixture	118	842311	Jet-Main (High Altitude)
56	692085	Pulley-Starter	95	690718	Screw (Throttle Valve)	118A	807012	Jet-Main (High Altitude)
57	692086	Spring-Rewind Starter	97	809007	Shaft-Throttle			(5,000 - 7,500 Feet)
58	66574	Rope-Starter			----- Note -----			Used on Type No(s).
59	805957	Insert-Grip			807495 Shaft-Throttle			1410.
60	808167	Grip-Starter Rope			Used on Type No(s).			----- Note -----
65A	841233	Screw (Rewind Starter)	97D	809095	Shaft-Throttle			807011 Jet-Main (High Altitude)
73	841662	Screen-Rotating			Used on Type No(s).			(Over 7,500 Feet)
73A	841440	Screen-Rotating	98	808177	Kit-Idle Speed			Used on Type No(s).
73B	841582	Screen-Rotating	98A	808981	Kit-Idle Speed			1410.
		Used on Type No(s).	102A	●692077	Gasket-Carburetor Body			807114 Jet-Main (High Altitude)
		0154, 0178.						(5000 Ft.)
74	841441	Screw (Rotating Screen)	104	●690723	Pin-Float Hinge			Used on Type No(s).
74A	691647	Screw (Rotating Screen)	105	805620	Valve-Float Needle			1409.
75	691490	Washer (Flywheel)			Used on Type No(s).			842311 Jet-Main (High Altitude)
77	690819	Motor-Servo			0023, 0027, 0068,			(8500 Feet)
		Used on Type No(s).			0113, 0114, 0115,			Used on Type No(s).
		0005, 0145.			0118, 0120, 0126,			1409.
78	690688	Screw (Flywheel Guard)	108A	690719	Valve-Choke	119	690720	Screw (Upper To Lower Carburetor Body)
91	809208	Body-Upper Carburetor	109	808398	Shaft-Choke			----- Note -----
		----- Note -----	109B	809096	Shaft-Choke			842237 Screw (Upper To Lower Carburetor Body)
		807919 Body-Upper Carburetor			----- Note -----			Used on Type No(s).
		Used on Type No(s).	110	806861	Washer (Choke Shaft)			0119.
		0023, 0027, 0068,	117	●690862	Jet-Main (Standard)	121	809020	Kit-Carburetor Overhaul
		0113, 0114, 0115,			----- Note -----	121A	809021	Kit-Carburetor Overhaul
		0117, 0118, 0120,			805537 Jet-Main (Standard)			Spacer-Carburetor
		0126, 0127, 0156,			Used on Type No(s).			
		0172, 0190.			1410.			
		808980 Body-Upper Carburetor			842238 Jet-Main (Standard)			
		Used on Type No(s).			Used on Type No(s).			
		1410.			0119.			
		842236 Body-Upper Carburetor			842314 Jet-Main (Standard)			
		Used on Type No(s).			Used on Type No(s).			
		0119.			0110, 0111.			
		808964 Body-Upper Carburetor			806859 Jet-Main (Standard)			
		Used on Type No(s).			Used on Type No(s).			
		1409.			1409.			

★ Included in Engine Gasket Set-Ref. No. 358.

△ Included in Valve Gasket Set-Ref. No. 1095B.

● Included in Carburetor Overhaul Kit-Ref. No. 121 or 121A.

Illustrations cover a range of engines. Parts shown without corresponding text may not be used on your specific engine.

305400

REF. NO.	PART NO.	DESCRIPTION	REF. NO.	PART NO.	DESCRIPTION	REF. NO.	PART NO.	DESCRIPTION
125B	809011	Carburetor ----- Note ----- 808979 Carburetor Used on Type No(s). 1410. 809013 Carburetor Used on Type No(s). 0023, 0027, 0068, 0114, 0115, 0118, 0120, 0126, 0127, 0156, 0172, 0190. 842235 Carburetor Used on Type No(s). 0119. 841834 Carburetor Used on Type No(s). 0110, 0111. 842729 Carburetor Used on Type No(s). 0178. 809152 Carburetor Used on Type No(s). 1409.	161	691561	Base-Air Cleaner (Metal) ----- Note ----- 690909 Base-Air Cleaner (Metal) Used on Type No(s). 0150, 0151, 0154, 0165, 0187, 0189, 1410.	206	691244	Nut-Governor Adjusting
130A	690726	Valve-Throttle	161B	808414	Base-Air Cleaner (Metal)	208	691549	Rod-Governor Control
133A	806961	Float-Carburetor	161C	841824	Base-Air Cleaner (Metal)	208A	808453	Rod-Governor Control
142	690725	Nozzle-Carburetor (Standard) ----- Note ----- 842240 Nozzle- Carburetor (Standard) Used on Type No(s). 0119. 806860 Nozzle- Carburetor (Standard) Used on Type No(s). 1409.	163	692081	Gasket-Air Cleaner	209	692070	Spring-Governor ----- Note ----- 690716 Spring- Governor Used on Type No(s). 0119, 0135, 0142, 0156. 692072 Spring- Governor Used on Type No(s). 0154, 0165. 691507 Spring- Governor Used on Type No(s). 0110, 0111, 0157, 0172. 690710 Spring- Governor Used on Type No(s). 0150. 692071 Spring- Governor Used on Type No(s). 0178, 0209. 691508 Spring- Governor Used on Type No(s). 0152, 0170. 691506 Spring- Governor Used on Type No(s). 0078, 0133.
142B	806987	Nozzle-Carburetor (Standard) Used on Type No(s). 0110, 0111.	187A	791744	Line-Fuel ----- Note ----- 791745 Line-Fuel Used on Type No(s). 0152, 0187. 791801 Line-Fuel Used on Type No(s). 0169.	209A	690709	Spring-Governor Used on Type No(s). 0113, 0115, 0116, 0171.
146	691639	Key-Timing	187B	692107	Line-Fuel	210	691370	Strainer-Fuel
151	841185	Stud (Exhaust Manifold)	187C	692106	Line-Fuel	211	692069	Spring-Governed Idle ----- Note ----- 691505 Spring- Governed Idle Used on Type No(s). 0110, 0111, 0119, 0135, 0157. 691553 Spring- Governed Idle Used on Type No(s). 0142.
			187D	692108	Line-Fuel			
			188	692056	Screw (Control Bracket)			
			190	692056	Screw (Fuel Tank)			
			190A	692199	Screw (Fuel Tank)			
			192	807623	Adjuster-Rocker Arm			
			197	807163	Screw (Back Plate)			
			203	690923	Crank-Bell			
			205	692083	Screw (Bell Crank)			

★ Included in Engine Gasket Set-Ref. No. 358.

● Included in Carburetor Overhaul Kit-Ref. No. 121 or 121A.

△ Included in Valve Gasket Set-Ref. No. 1095B.

Illustrations cover a range of engines. Parts shown without corresponding text may not be used on your specific engine.

305400

REF. NO.	PART NO.	DESCRIPTION	REF. NO.	PART NO.	DESCRIPTION	REF. NO.	PART NO.	DESCRIPTION
211A	690707	Spring-Governed Idle Used on Type No(s). 0113, 0115, 0116, 0117, 0171. ----- Note ----- 692068 Spring-Governed Idle Used on Type No(s). 0078, 0133.	271	692541	Lever-Control (Cable Wire With "Z" Formed End)	304	841658	Housing-Blower ----- Note ----- 841828 Housing-Blower Used on Type No(s). 0079, 0110, 0111, 0119, 0138, 0142, 0150, 0152, 0153, 0154, 0178, 0209, 1409, 1410. 842681 Housing-Blower Used on Type No(s). 0005, 0145.
212	690712	Link-Throttle	273	690681	Seal-O Ring (Oil Pump)	305	692062	Screw (Blower Housing)
212A	691519	Link-Throttle Used on Type No(s). 0005, 0145.	276	690724	Washer-Sealing	308	841183	Cover-Cylinder Head (Cylinder 1) ----- Note ----- 841316 Cover-Cylinder Head (Cylinder 2) Used on Type No(s). 0178.
216	690705	Link-Choke	276A	807085	Washer-Sealing (Head)(Rocker Cover)	308F	841182	Cover-Cylinder Head (Cylinder 2) ----- Note ----- 841317 Cover-Cylinder Head (Cylinder 1) Used on Type No(s). 0178.
217	806862	Spring-Choke Return	276B	806137	Washer-Sealing (Solenoid)	309	691564	Motor-Starter
222	808454	Bracket-Control	276C	690704	Washer-Sealing (Crankcase Cover/Sump) Used on Type No(s). 0127, 0144.	309A		Motor-Starter (For Replacement Starter Motor, Order Reference 309)
222A	691570	Bracket-Control Used on Type No(s). 0110, 0111, 0119, 0142.	276F	693497	Washer-Sealing Used on Type No(s). 0119.	309D	808817	Motor-Starter Used on Type No(s). 0111, 0126, 0146.
226	692075	Rod-Hand Choke	278	842122	Washer (Governor Control Lever)	310	496880	Screw (Starter Motor) ----- Note ----- 820807 Screw (Starter Motor) Used on Type No(s). 0111, 0126, 0146.
227	690236	Lever-Governor Control	280	691526	Bracket-Rod	310A	690323	Screw (Starter Motor)
231	690718	Screw (Choke Valve)	281	690742	Panel-Control			
232	692073	Spring-Governor Link	282	692083	Screw (Control Lever)			
234	691723	Clip-Control Rod	287	692062	Screw (Dipstick Tube)			
239	690233	Switch-Oil Pressure ----- Note ----- 697049 Switch-Oil Pressure Used on Type No(s). 0142.	300B	498984s	Muffler Used on Type No(s). 0150, 0151.			
240	691035	Filter-Fuel	300D	692099	Muffler Used on Type No(s). 0068, 0127, 0133, 0135, 0144, 0145, 0156, 0172.			
240B	808116s	Filter-Fuel	300E	690906	Muffler Used on Type No(s). 0147, 0152, 0154, 0165, 0168, 0189, 0190.			
255	690721	Bushing-Choke Shaft	300G	691562	Muffler Used on Type No(s). 1410.			
262	692083	Screw (Rod Bracket)	300K	808379	Muffler Used on Type No(s). 1410.			
265	691024	Clamp-Casing						
267	692083	Screw (Casing Clamp)						
268	691025	Casing-Control Wire (Cut To Required Length)						
269	691026	Wire-Control (Cut To Required Length)						
270	691027	Nut (Control Wire Casing)						

★ Included in Engine Gasket Set-Ref. No. 358.

△ Included in Valve Gasket Set-Ref. No. 1095B.

● Included in Carburetor Overhaul Kit-Ref. No. 121 or 121A.

Illustrations cover a range of engines. Parts shown without corresponding text may not be used on your specific engine.

6141-20

Assemblies include all parts shown in frames.

10/25/2005

305400

REF. NO.	PART NO.	DESCRIPTION	REF. NO.	PART NO.	DESCRIPTION	REF. NO.	PART NO.	DESCRIPTION
311	496887	Brush Set	363	19203	Puller-Flywheel	445B	393957s	Filter-Air Cleaner Cartridge
311A	497608	Brush Set	365	690711	Screw (Carburetor)			----- Note -----
318	807130	Screw (Mounting Bracket)	365A	690866	Screw (Carburetor)			Filter-Air Cleaner Cartridge (Supplied By Equipment Manufacturer) Used on Type No(s). 0111.
318B	690932	Screw (Mounting Bracket) Used on Type No(s). 0005, 0145.	373	691612	Nut (Ground Terminal)			
322	692067	Screw (Cylinder Head Cover)	377	808095	Key-Woodruff			
332	690887	Nut (Flywheel)	383	19374s	Wrench-Spark Plug			----- Note -----
333	492341	Armature-Magneto		19576s	Wrench-Spark Plug Used on Type No(s). 0152, 0153.	447	841233	Screw (Air Guide Cover)
334	692066	Screw (Magneto Armature)	385	807084	Screw (Fuel Pump)	455	841794	Cup-Flywheel
337	491055s	Plug-Spark	387	808656	Pump-Fuel	456	691529	Plate-Pawl Friction
		----- Note -----	387A	808969	Pump-Fuel Used on Type No(s). 0178.	459	808166	Pawl-Ratchet
		496018s Plug-Spark Used on Type No(s). 0119, 0142, 0178.	388	820799	Lever-Pinion Drive	460	806667	Connector-Filter Adapter
		792015 Plug-Spark Used on Type No(s). 0005, 0027, 0068, 0075, 0077, 0078, 0079, 0110, 0111, 0113, 0114, 0115, 0116, 0117, 0118, 0146, 0150, 0152, 0153, 0165, 0169, 0190, 1409, 1410.	413	693587	Nut (Starter Motor)	467	691985	Knob-Air Cleaner
338	★691312	Gasket-Dipstick	415	690283	Plug	468	★690690	Seal-O Ring (Oil Pump Screen)
346	690661	Screw (Spark Arrestor)	432	691509	Cap-Spring	474B	696459	Alternator (Dual Circuit)
347	691995	Switch-Rocker	436	692061	Manifold-Exhaust	474D	696458	Alternator (16 Amp Regulated)
349	690238	Nut (Cylinder Head Cover)	436A	691499	Manifold-Exhaust	474E	696579	Alternator (20 Amp) Used on Type No(s). 0119, 0135, 0147, 0181.
355A	690944	Washer (Muffler Bracket)	436B	691501	Manifold-Exhaust Used on Type No(s). 0150.	474F	841833	Alternator
356A	690809	Wire-Stop	436C	691502	Manifold-Exhaust Used on Type No(s). 0151.			----- Note -----
356B	692961	Wire-Stop Used on Type No(s). 0005, 0145.	437	691902	Screw (Exhaust Manifold)			841178 Alternator (20-50 Amp) Used on Type No(s). 0142.
356E	691999	Wire-Stop	439	★692154	Seal-O Ring (Crankcase Cover/Sump)	479	807084	Screw (Oil Pump Screen)
357	691483	Key-Drive Pulley	445	394018s	Filter-Air Cleaner Cartridge			----- Note -----
358	841188	Gasket Set-Engine						692537 Screw (Oil Pump Screen) Used on Type No(s). 0005, 0145, 1409, 1410.
359	691077	Washer (Ground Terminal)				493	691518	Bracket-Mounting Used on Type No(s). 0005, 0145.
						493A	698024	Bracket-Mounting

★ Included in Engine Gasket Set-Ref. No. 358.

● Included in Carburetor Overhaul Kit-Ref. No. 121 or 121A.

△ Included in Valve Gasket Set-Ref. No. 1095B.

Illustrations cover a range of engines. Parts shown without corresponding text may not be used on your specific engine.

305400

REF. NO.	PART NO.	DESCRIPTION	REF. NO.	PART NO.	DESCRIPTION	REF. NO.	PART NO.	DESCRIPTION
500	691086	Washer (Key Switch)	544A		Armature-Starter (For Replacement	608	841729	Starter-Rewind
501	691185	Regulator ----- Note -----			(For Replacement	613	691902	Screw (Muffler)
	493219	Regulator Used on Type No(s). 0117, 0118.	552	690701	Armature, Order Reference 309)	613A	692067	Screw (Muffler)
	841170	Regulator Used on Type No(s). 0142.	552A	806686	Bushing-Governor Crank	615	691550	Retainer-Governor Shaft
501B	691573	Regulator Used on Type No(s). 0119, 0135, 0147, 0181.	555	692067	Screw (Starter Solenoid)	616	806685	Crank-Governor
503	691532	Strap-Starter	561	690713	Nut (Control Lever)	628	806660	Screw (Fuel Pump Bracket)
505	690238	Nut (Governor Control Lever)	562	690239	Bolt (Governor Control Lever)	629A	807004	Spring-Throttle Return ----- Note -----
506	807120	Screw (Carburetor Cover)	565	690682	Stud (Oil Filter Adapter)		806716	Spring- Throttle Return Used on Type No(s). 0005, 0145.
507	691972	Insulator	572	690686	Baffle-Breather	629B	806717	Spring-Throttle Return Used on Type No(s). 0005, 0145.
510	496881	Drive-Starter	573	841310	Plate-Back ----- Note -----	633	806131	Seal-Choke/Throttle Shaft
515	691528	Spring-Pawl		841311	Plate-Back Used on Type No(s). 0111.	633B	690722	Seal-Choke/Throttle Shaft
520	691084	Terminal-Ground		841127	Plate-Back Used on Type No(s). 0126, 0146.	633C	807003	Seal-Choke/Throttle Shaft Used on Type No(s). 1409, 1410.
522	491832	Plug-Dipstick/Fill		841314	Plate-Back Used on Type No(s). 0142.	635	692076	Boot-Spark Plug
523A	693175	Dipstick	577	690795	Cable-Starter	637	806999	Washer (Throttle Shaft)
524	693172	Seal-Dipstick Tube	578	692306	Wire Assembly	637A	807000	Washer (Throttle Shaft)
525	693174	Tube-Dipstick	578A	692319	Wire Assembly	638	691551	Washer (Cylinder Head Cover)
525A	693173	Tube-Dipstick	578B	691377	Wire Assembly Used on Type No(s). 0005, 0145.	638A	690706	Washer (Cylinder Head Cover)
526	692067	Screw (Regulator)	592	690939	Nut (Rewind Starter)	643	692079	Retainer-Air Filter
526B	691547	Screw (Regulator) Used on Type No(s). 0119, 0135, 0142, 0147, 0181.	596	691492	Screw (Oil Pump)	643A	690447	Retainer-Air Filter
527	690423	Clamp-Tube	597	690876	Screw (Pawl Friction Plate)	650	692539	Screw (Oil Deflector)
529	690744	Grommet	598	807625	Shim-End Play (Crankshaft or Camshaft Bearing)	663	692083	Screw (Control Panel)
529A	691527	Grommet	601	691038	Clamp-Hose	664	691087	Nut (Key Switch)
532	691115	Nut (Mounting Bracket) Used on Type No(s). 0005, 0145.	601A	691522	Clamp-Hose	668A	691500	Spacer
544		Armature-Starter (For Replacement Armature, Order Reference 309)	601B	791850	Clamp-Hose	674	692062	Screw (Fuel Tank Bracket)

★ Included in Engine Gasket Set-Ref. No. 358.

△ Included in Valve Gasket Set-Ref. No. 1095B.

● Included in Carburetor Overhaul Kit-Ref. No. 121 or 121A.

Illustrations cover a range of engines. Parts shown without corresponding text may not be used on your specific engine.

6141-22

Assemblies include all parts shown in frames.

10/25/2005

305400

REF. NO.	PART NO.	DESCRIPTION	REF. NO.	PART NO.	DESCRIPTION	REF. NO.	PART NO.	DESCRIPTION
674A	692056	Screw (Fuel Tank Bracket)	788	691559	Bracket-Fuel Pump	830	809157	Stud-Rocker Arm
676	393761	Deflector-Muffler Used on Type No(s). 0127, 0144, 0145, 0150, 0151.	789	691996	Harness-Wiring ----- Note ----- 691578 Harness-Wiring Used on Type No(s). 0119, 0135, 0147, 0181.	832	691571	Guard-Muffler
676B	396903	Deflector-Muffler				833	807084	Screw (Air Cleaner Mounting Strap/Stud)
677B	690661	Screw (Muffler Deflector)				833B	691593	Screw (Air Cleaner Mounting Strap/Stud)
681	●808798	Kit-Needle/Seat				836	691514	Screw (Muffler Guard)
683	691029	Nut (Starter Solenoid)				836A	692067	Screw (Muffler Guard)
689	691272	Spring-Friction	797	691029	Nut (Brush Retainer)	837	808085	Spacer-Muffler
691	★690680	Seal-Governor Shaft				843	691322	Sleeve-Lever
697	692062	Screw (Drive Cap)	797A	693167	Nut (Brush Retainer)	849	691088	Screw (Stub Shaft)
703	807116	Clip	801	808778	Cap-Drive	851	493880s	Terminal-Spark Plug
710	807689	Cover-Oil Filter	801B	691283	Cap-Drive	862	692153	Strap/Stud-Air Cleaner Mounting
718	806469	Pin-Locating	802	496813	Cap-End	862D	691565	Strap/Stud-Air Cleaner Mounting
718A	690740	Pin-Locating (28MM)	802A	691286	Cap-End			
718B	841581	Pin-Locating (32MM)	803	690854	Housing-Starter ----- Note ----- 820783 Housing-Starter Used on Type No(s). 0111, 0126, 0146.	863	691513	Bracket-Muffler
725	280866	Shield-Heat				863A	690756	Bracket-Muffler Used on Type No(s). 0127, 0156.
725B	691498	Shield-Heat Used on Type No(s). 0154.	803A	693547	Housing-Starter	865	807119	Cover-Air Guide
726		Gear-Ring (Steel)(See Reference 23 for Service)	807	805557	Spacer-Throttle	865A	841319	Cover-Air Guide (Aluminum) Used on Type No(s). 0178.
727	841313	Cover-Starter Drive	813	690635	Clamp			
728	691514	Screw (Heat Shield)	816	690706	Washer (Oil Filter Adapter)	868	★△691963	Seal-Valve
728A	692067	Screw (Heat Shield)	819	692056	Screw (Muffler Bracket)	871	692057	Bushing-Valve Guide
729	690586	Clip-Wire	819A	690943	Screw (Muffler Bracket)	877	393456	Wire/Connector- Alternator
732	690688	Screw (Starter Drive Cover)	819C	692067	Screw (Muffler Bracket) Used on Type No(s). 0127, 0156.	877C	399916	Wire/Connector- Alternator
732A	841233	Screw (Starter Drive Cover)	819D	692062	Screw (Muffler Bracket) Used on Type No(s). 0165.	877D	698092	Wire/Connector- Alternator
737	690679	Screw (Oil Filter Adapter)				878	398661	Harness-Alternator
741	691530	Gear-Timing						
742	807001	Retainer-E Ring						
773	690875	Retainer						
774	692067	Screw (Stop Wire)						

★ Included in Engine Gasket Set-Ref. No. 358.

● Included in Carburetor Overhaul Kit-Ref. No. 121 or 121A.

△ Included in Valve Gasket Set-Ref. No. 1095B.

Illustrations cover a range of engines. Parts shown without corresponding text may not be used on your specific engine.

6141-23

Assemblies include all parts shown in frames.

10/25/2005

305400

REF. NO.	PART NO.	DESCRIPTION	REF. NO.	PART NO.	DESCRIPTION	REF. NO.	PART NO.	DESCRIPTION
879	842123	Cover-Carburetor ----- Note ----- 842269 Cover-Carburetor Used on Type No(s). 0142, 0150, 0151, 0152, 0154, 0165, 0169, 0187, 0189, 0191, 0209. 842124 Cover-Carburetor Used on Type No(s). 0005, 0075, 0077, 0078, 0116, 0133, 0135, 0144, 0145, 0146, 0147, 0168, 0181, 0192.	955A	807723	Plug-Carburetor ----- Note ----- 808176 Plug-Carburetor Used on Type No(s). 0110, 0111, 0119.	1023E	691531	Cover-Rocker (Used On Engines Equipped With 9 Quart Fuel Tanks)
879A	807460	Cover-Carburetor	957A	493988s	Cap-Fuel Tank (Plastic)	1024	693185	Pump-Oil
883	★△691613	Gasket-Exhaust	958A	698183	Valve-Fuel Shut Off (Plastic) Used on Type No(s). 0169, 0170.	1025	690689	Spool-Governor
884	690898	Clamp-Muffler	958B	692008	Valve-Fuel Shut Off (Plastic)	1026	691836	Rod-Push (Steel)(Intake) ----- Note ----- 691758 Rod-Push (Aluminum)(Exhaust)
884A	691956	Clamp-Muffler Used on Type No(s). 0150, 0151, 0165.	967	272490s	Filter-Pre Cleaner	1027	492932s	Filter-Oil
892	692318	Switch-Key	967C	271794s	Filter-Pre Cleaner	1028	808235	Adapter-Oil Filter ----- Note ----- 808033 Adapter-Oil Filter Used on Type No(s). 0068, 0133, 0135, 0145, 0150, 0165, 0172.
893	820805	Nut (Starter Solenoid)	968	699959	Cover-Air Cleaner	1029	807323	Arm-Rocker
899	691077	Washer (Starter Solenoid)	968B	841822	Cover-Air Cleaner Used on Type No(s). 0110, 0111, 0119.	1036		Label-Emissions (Available from an Authorized Briggs & Stratton Service Dealer)
914	807120	Screw (Rocker Cover)	971	807084	Screw (Air Cleaner Base to Carburetor)	1038A	691567	Rod-Fuel Shut Off
918	393815	Hose-Vacuum	972A	690663	Tank-Fuel (Plastic)	1046	692082	Plug-Blower Housing
920	691656	Solenoid-Starter	987	807002	Seal-Throttle Shaft	1047	841580	Shaft-Stub
920A	825418	Solenoid-Starter	988	★692063	Gasket-Oil Adapter	1048	690669	Module-Electronic Governor Used on Type No(s). 0005, 0145.
927	691116	Screw (Electronic Governor Module) Used on Type No(s). 0005, 0145.	988A	690687	Gasket-Oil Adapter Used on Type No(s). 0144, 0152.	1051	691124	Ring-Retaining
930	841490	Guard-Rewind Used on Type No(s). 0151, 0189.	990	691959	Key Set	1054	280275	Tie-Cable
947A	692094	Solenoid-Fuel ----- Note ----- 842239 Solenoid-Fuel Used on Type No(s). 0119.	994	392390	Arrestor-Spark	1058	276343	Operator's Manual
			996	691577	Shield-Carburetor	1059	698516	Kit-Screw/Washer
			996C	841826	Shield-Carburetor	1085	809093	Module-Ignition
			1004	841656	Duct-Air	1090	691293	Retainer-Brush ----- Note ----- 825412 Retainer- Brush Used on Type No(s). 0111, 0126, 0146.
			1009	806474	Screw (Starter Motor)	1091	●691516	Cap-Limiter
			1012	690592	Retainer-Link			
			1017	690900	Screen-Oil Pump			
			1019	809181	Kit-Label			
			1022★△	806039s	Gasket-Rocker Cover			
			1023	690758	Cover-Rocker			
			1023B	691494	Cover-Rocker			
			1023C	690910	Cover-Rocker			
			1023D	691558	Cover-Rocker			

★ Included in Engine Gasket Set-Ref. No. 358.

△ Included in Valve Gasket Set-Ref. No. 1095B.

● Included in Carburetor Overhaul Kit-Ref. No. 121 or 121A.

Illustrations cover a range of engines. Parts shown without corresponding text may not be used on your specific engine.

305400

REF. NO.	PART NO.	DESCRIPTION	REF. NO.	PART NO.	DESCRIPTION	REF. NO.	PART NO.	DESCRIPTION
1095B	842723	Gasket Set-Valve	1231	692067	Screw (Ignition Module)	1392	690939	Nut (Rewind Guard)
1100	791959	Pivot-Rocker Arm	1254	807084	Screw (Rocker Cover Stud)			Used on Type No(s). 0151, 0189.
1119	691552	Screw (Alternator)	1271	697261	Inverter			
		----- Note -----	1272	697260	Gasket-Inverter			
		841835 Screw (Alternator)	1323	699146	Receptacle-Powerlink			
		Used on Type No(s). 0111.	1330	272144	Repair Manual			
1133	690342	Screw (Crankshaft)	1344	841129	Cable-Choke			
1176	842067	Nut (Exhaust Manifold)	1346	492031	Valve-Oil Drain Shut Off			
					Used on Type No(s). 0150, 0152.			

★ Included in Engine Gasket Set-Ref. No. 358.

● Included in Carburetor Overhaul Kit-Ref. No. 121 or 121A.

△ Included in Valve Gasket Set-Ref. No. 1095B.

Illustrations cover a range of engines. Parts shown without corresponding text may not be used on your specific engine.

6141-25

Assemblies include all parts shown in frames.

10/25/2005