



294400

Illustrated Parts List

Model Series

294400

TYPE NUMBERS
0030 through 1282.

TABLE OF CONTENTS

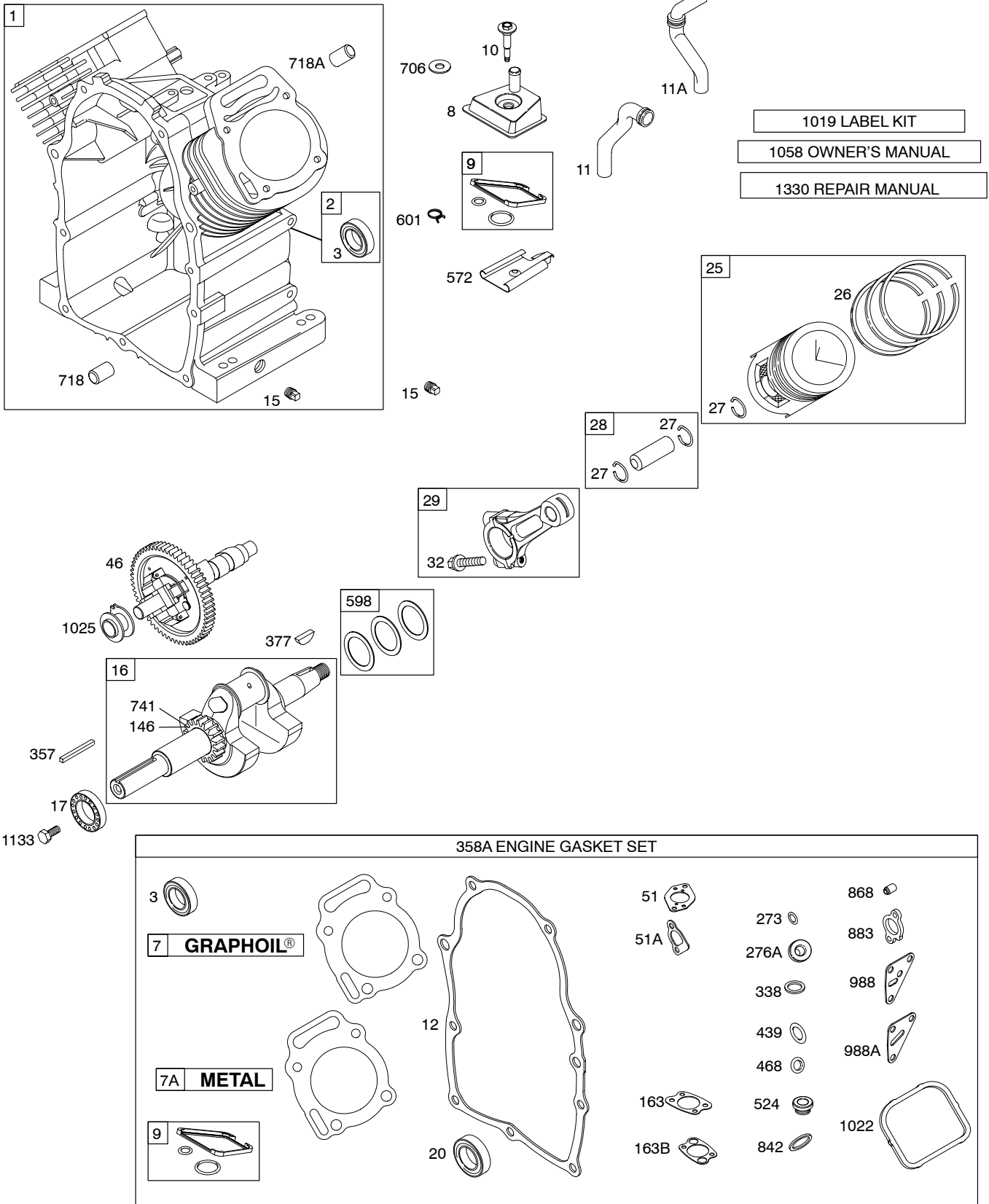
Air Cleaners	7
Alternator	16
Blower Housing	13
Camshaft	2
Carburetor	6
Controls	11
Crankcase Cover	4
Crankshaft	2
Cylinder	2
Cylinder Head	3
Electric Starter	17 & 18
Exhaust System	8 & 9
Flywheel	14
Fuel Supply	10
Gasket Set - Engine	2
Gasket Set - Valve	3
Intake Manifold	4
Kit - Carburetor Overhaul	6
Lubrication	5
Piston, Rings, Connecting Rod	2
Rewind Starter	15
Shrouds	12
Valves	3



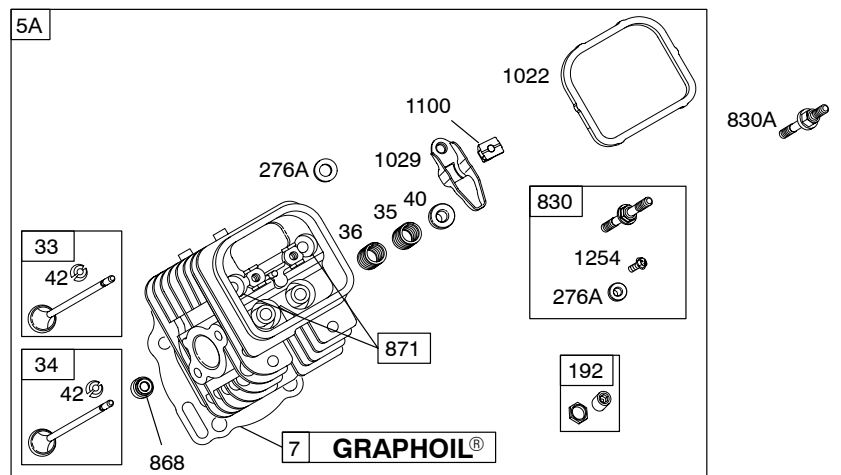
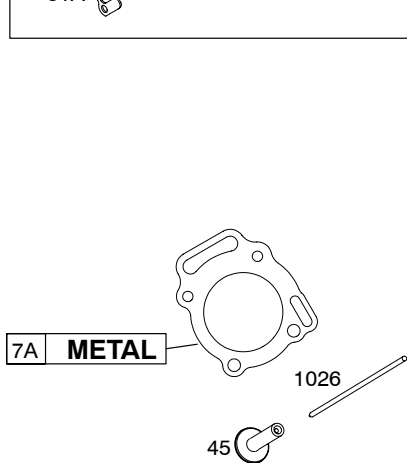
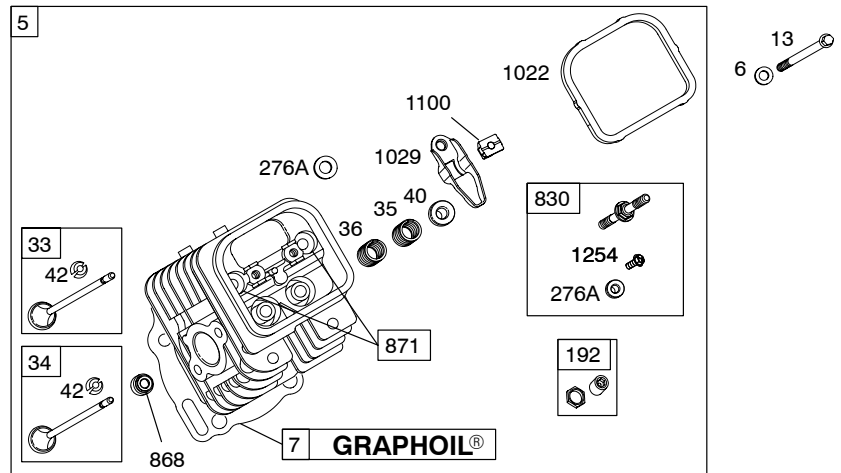
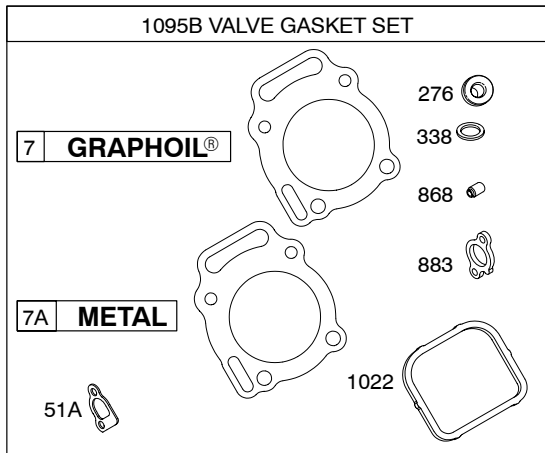
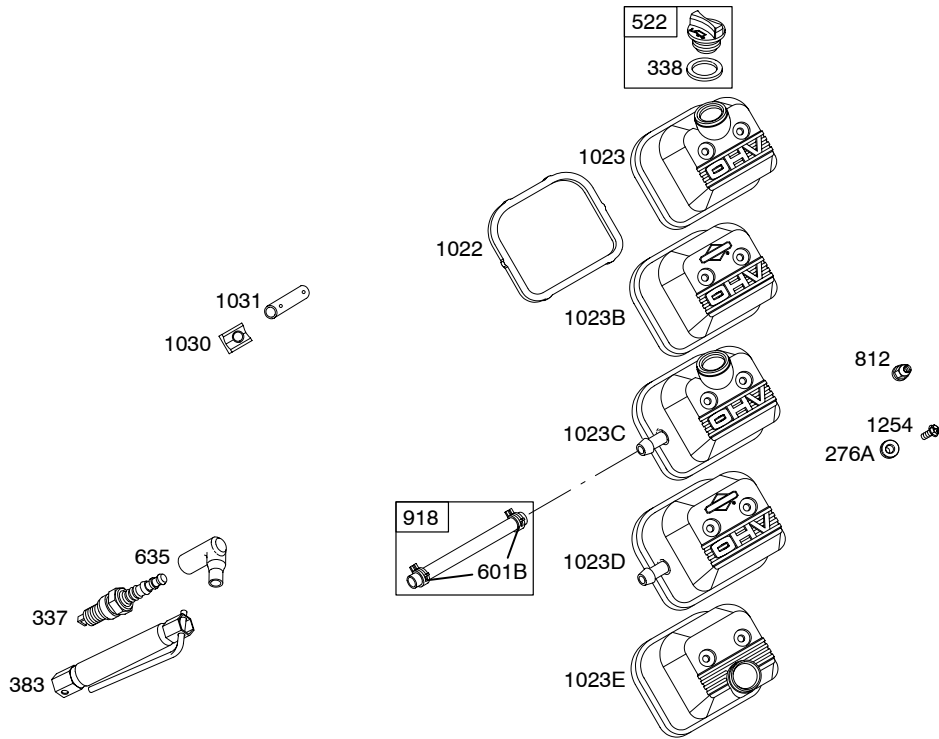
PRINTED IN U.S.A.

COPYRIGHT by BRIGGS & STRATTON CORPORATION
All rights reserved. No part of this material may be reproduced or transmitted, in any form or by any means, electronic or mechanical, including photocopying, recording or by any information storage and retrieval system, without permission in writing from Briggs & Stratton Corporation.

294400

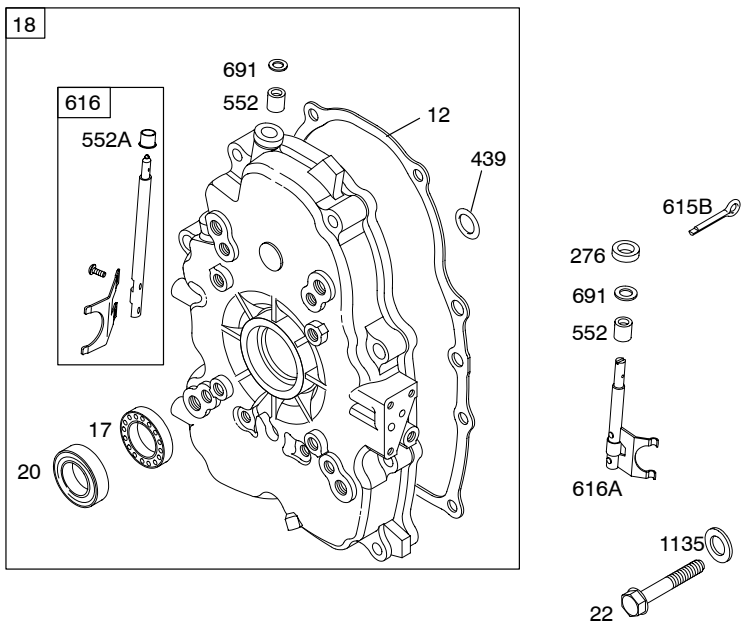
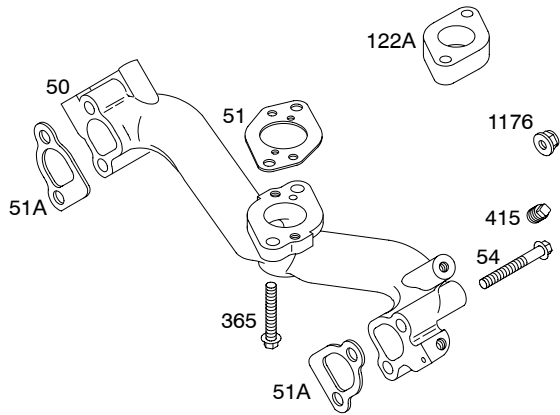


Illustrations cover a range of engines. Parts shown without corresponding text may not be used on your specific engine.
 9828-2 Assemblies include all parts shown in frames. 12/22/2005

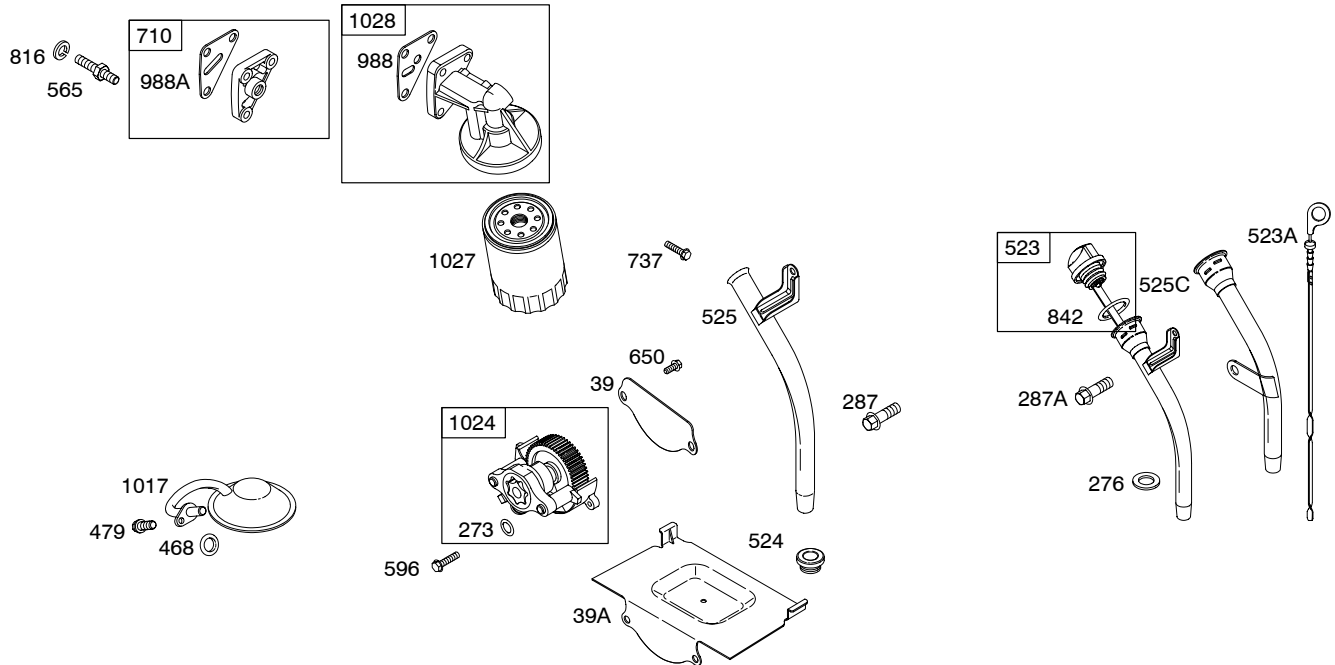


Illustrations cover a range of engines. Parts shown without corresponding text may not be used on your specific engine.
 9828-3 Assemblies include all parts shown in frames. 12/22/2005

294400

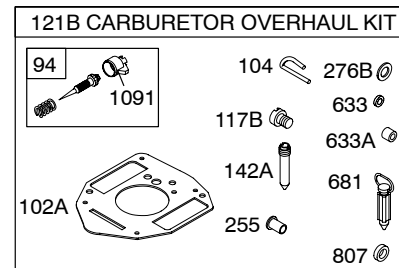
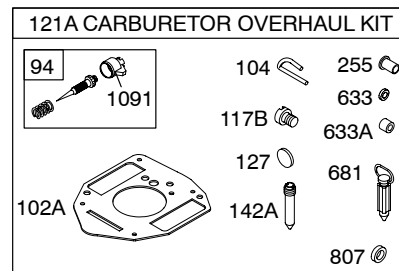
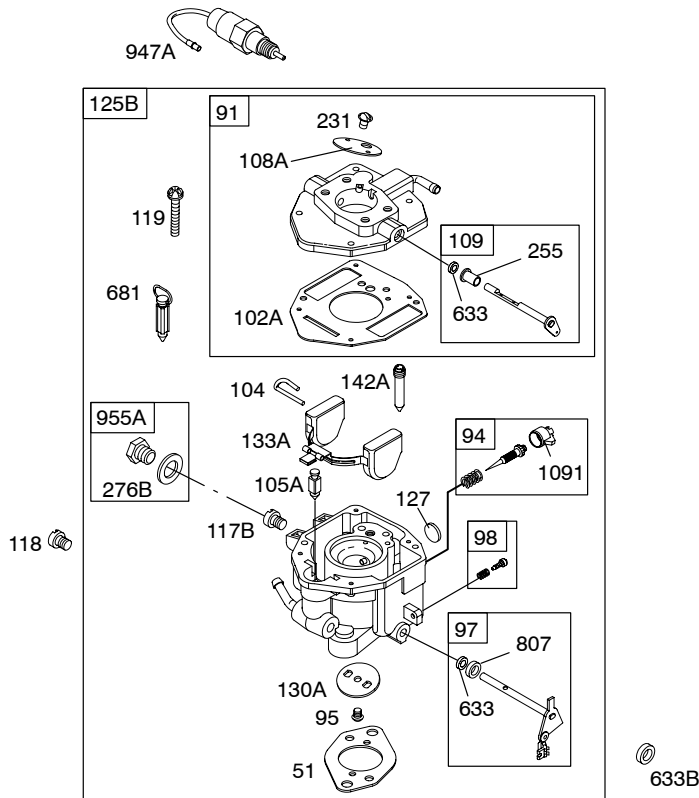


Illustrations cover a range of engines. Parts shown without corresponding text may not be used on your specific engine.
9828-4 Assemblies include all parts shown in frames. 12/22/2005

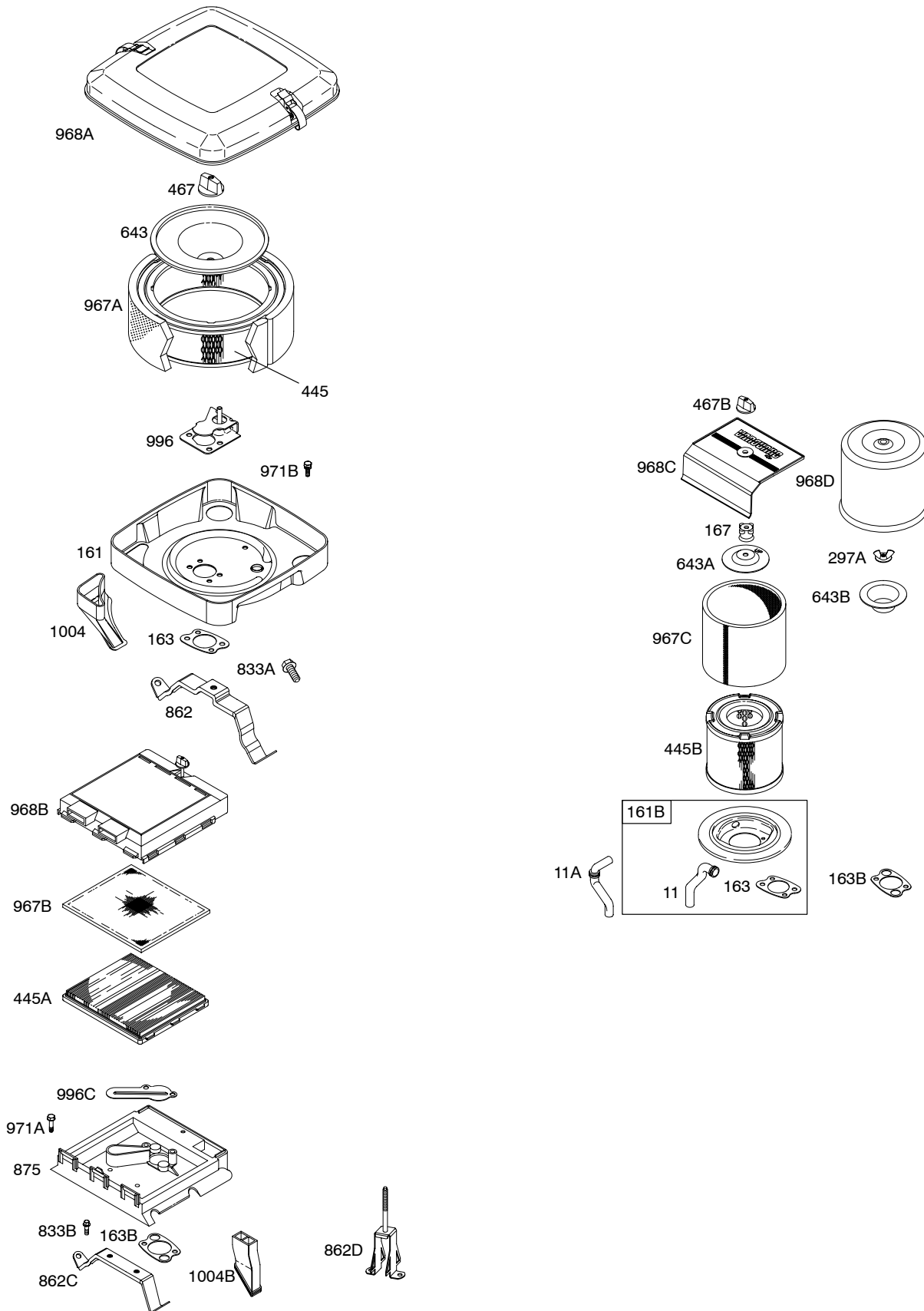


Illustrations cover a range of engines. Parts shown without corresponding text may not be used on your specific engine.
9828-5 Assemblies include all parts shown in frames. **12/22/2005**

294400

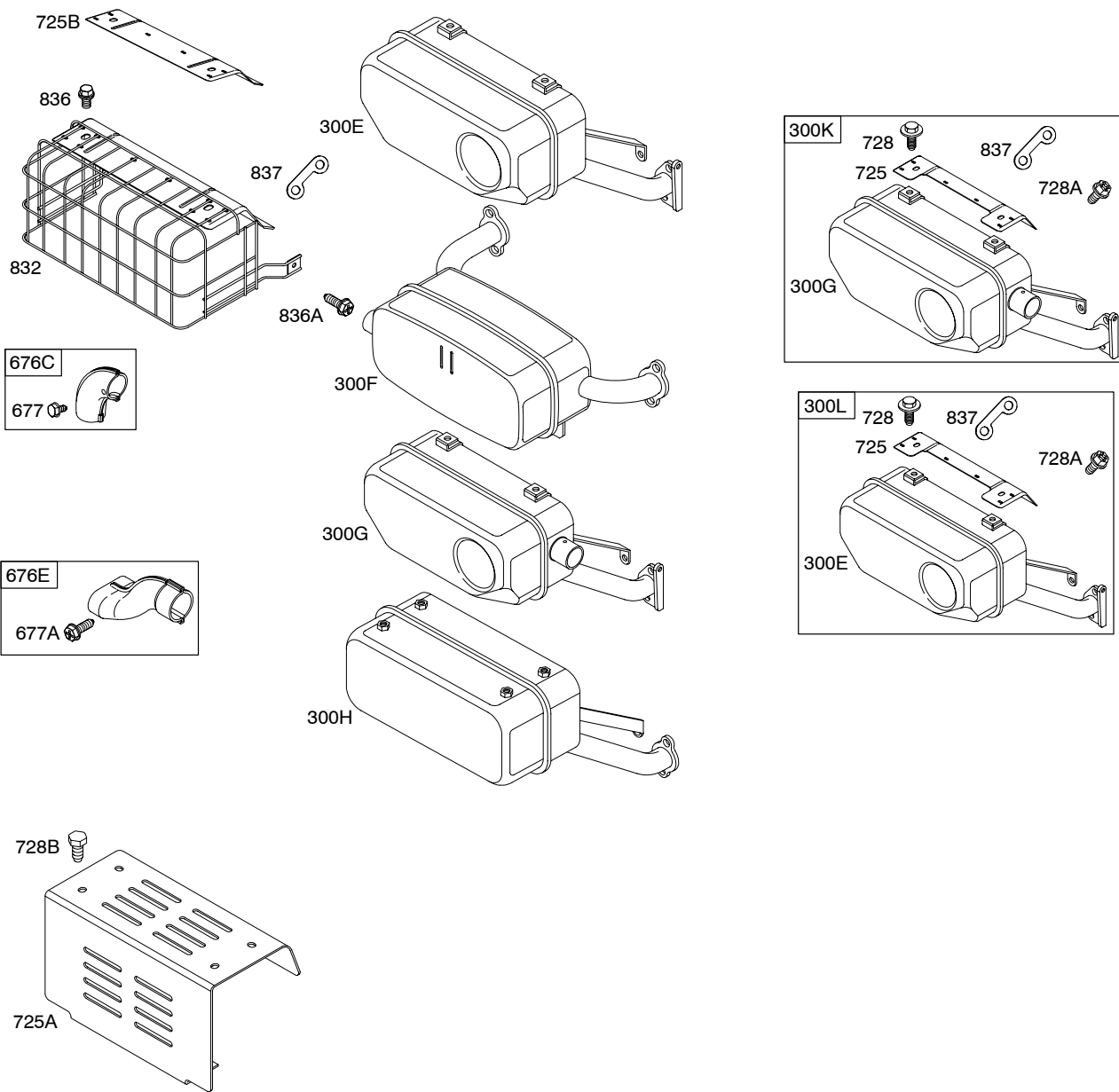


Illustrations cover a range of engines. Parts shown without corresponding text may not be used on your specific engine.
 9828-6 Assemblies include all parts shown in frames. 12/22/2005



Illustrations cover a range of engines. Parts shown without corresponding text may not be used on your specific engine.
 9828-7 Assemblies include all parts shown in frames. 12/22/2005

294400



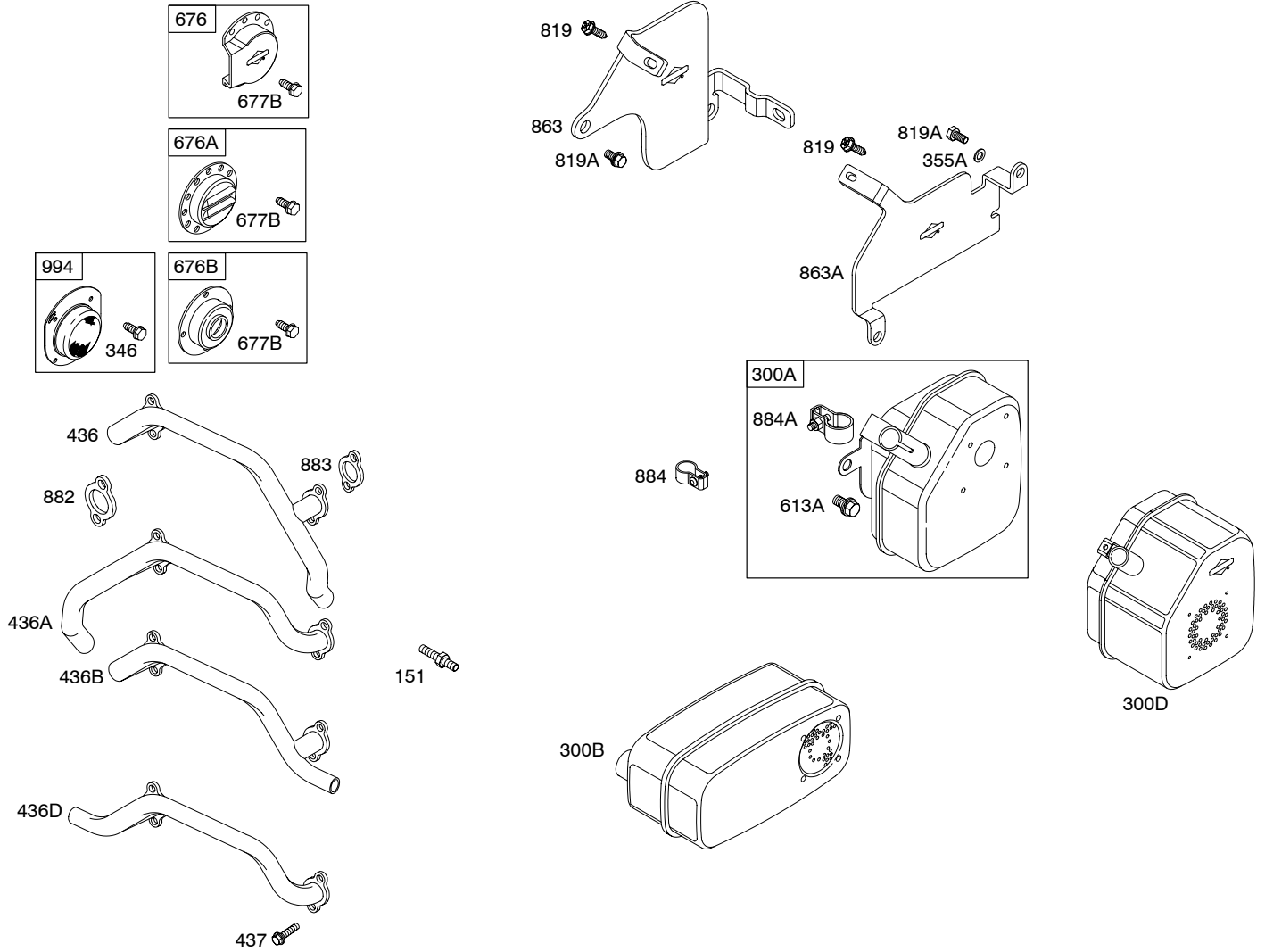
C:\desktop\ileaf\2944HHT.txt

Illustrations cover a range of engines. Parts shown without corresponding text may not be used on your specific engine.

9828-8

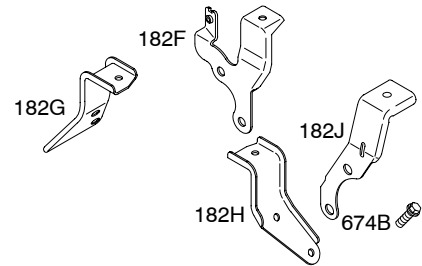
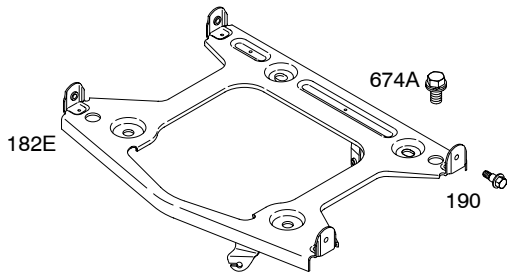
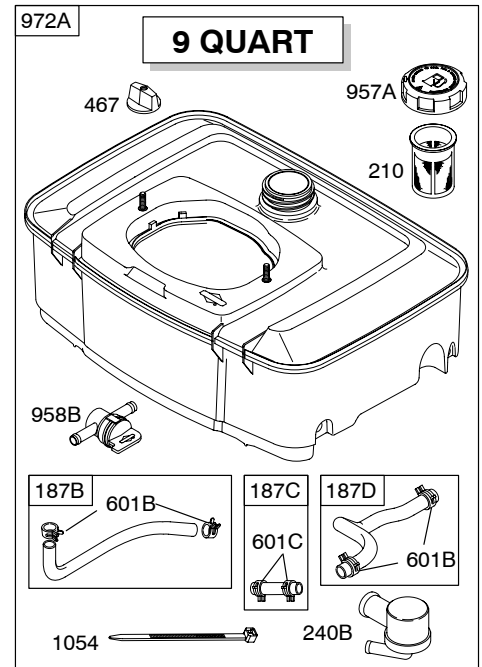
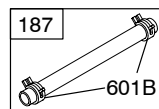
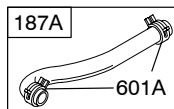
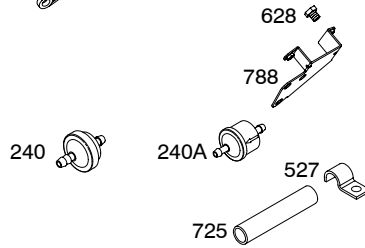
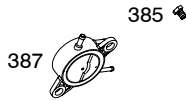
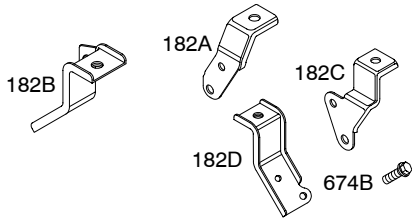
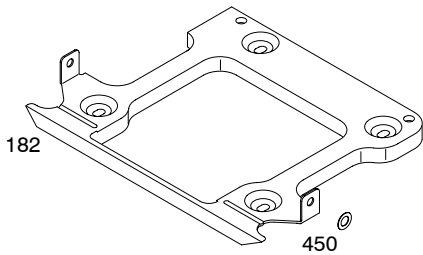
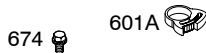
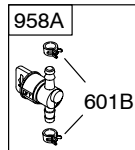
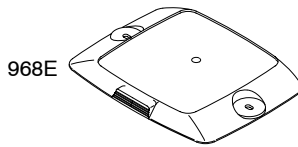
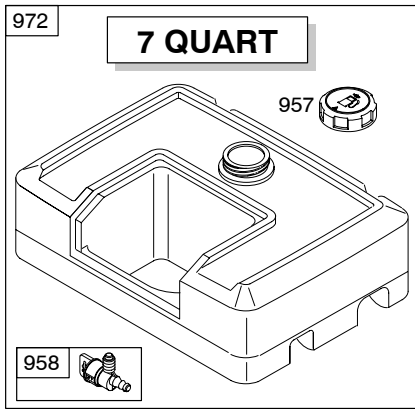
Assemblies include all parts shown in frames.

12/22/2005

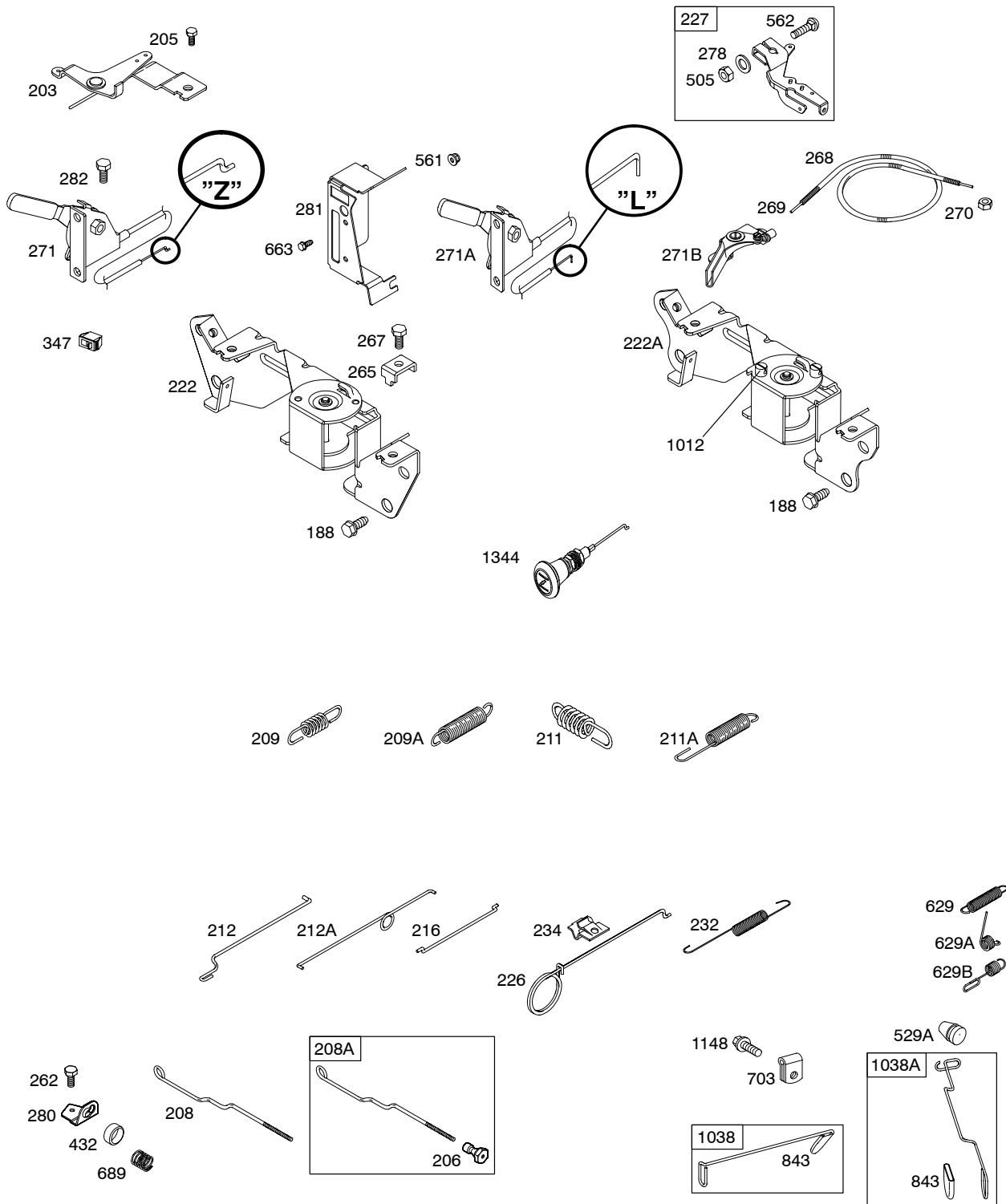


Illustrations cover a range of engines. Parts shown without corresponding text may not be used on your specific engine.
9828-9 Assemblies include all parts shown in frames. 12/22/2005

294400

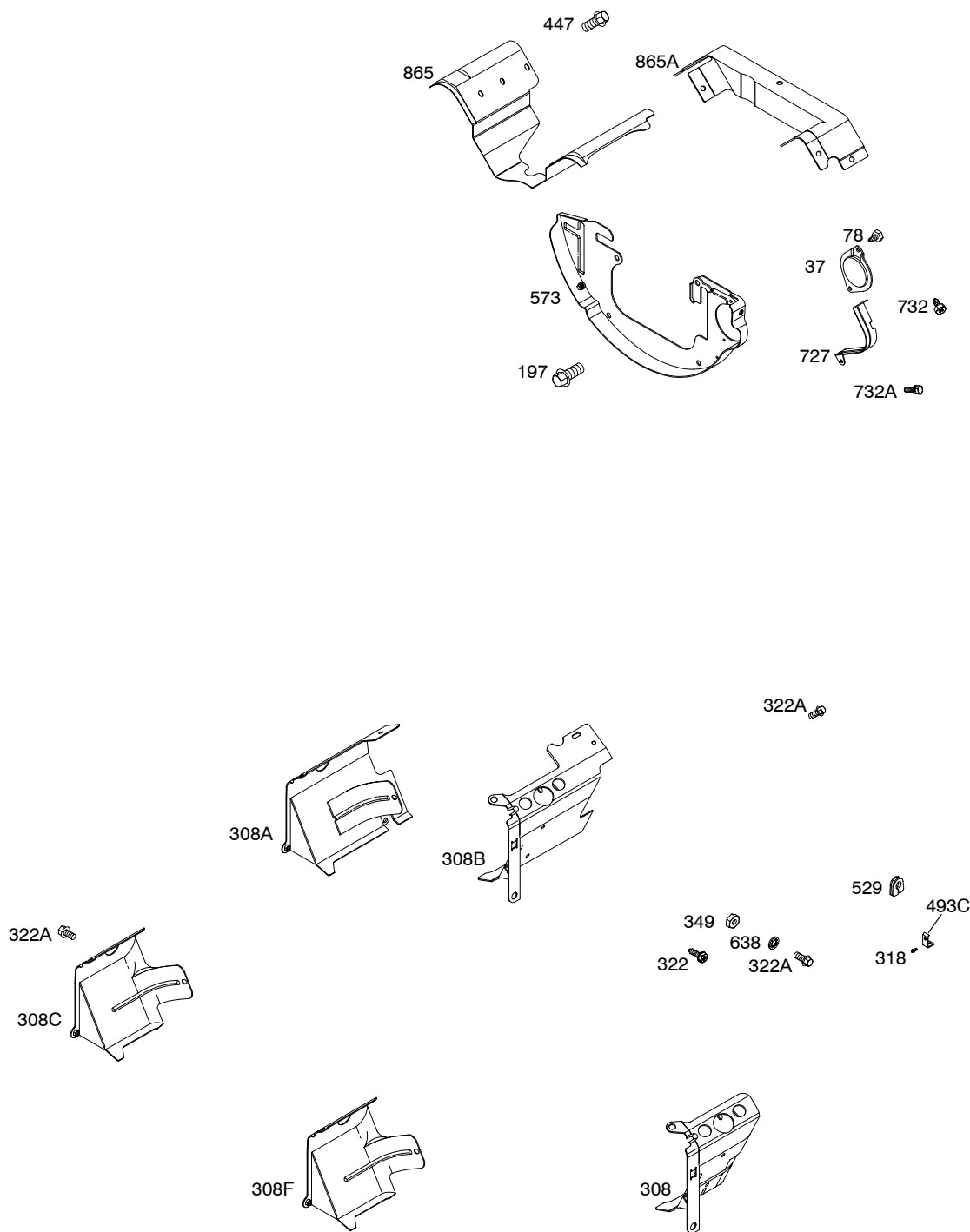


Illustrations cover a range of engines. Parts shown without corresponding text may not be used on your specific engine.
 9828-10 Assemblies include all parts shown in frames. 12/22/2005

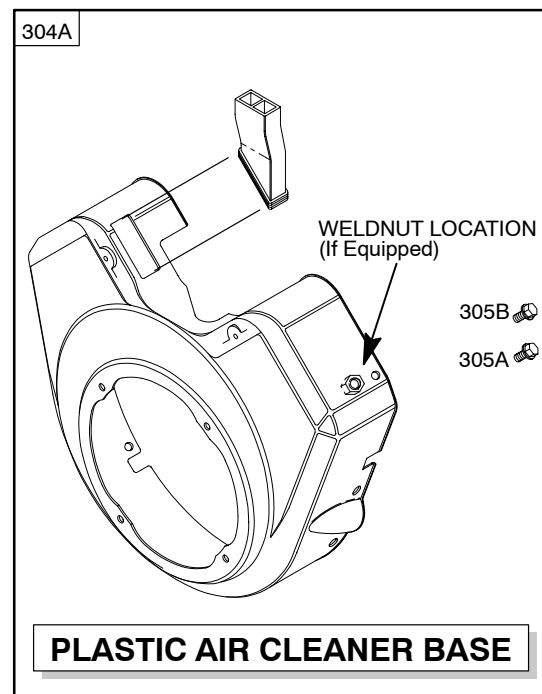
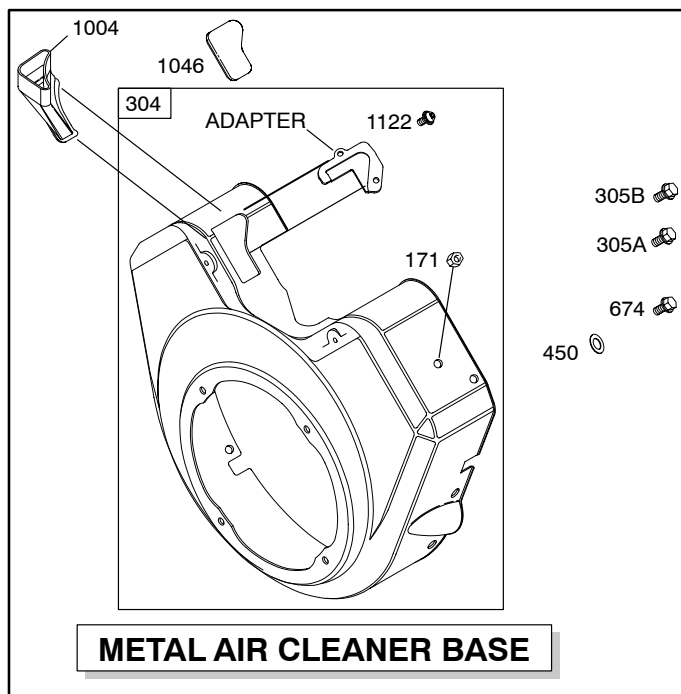


Illustrations cover a range of engines. Parts shown without corresponding text may not be used on your specific engine.
 9828-11 Assemblies include all parts shown in frames. 12/22/2005

294400

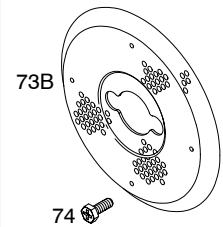
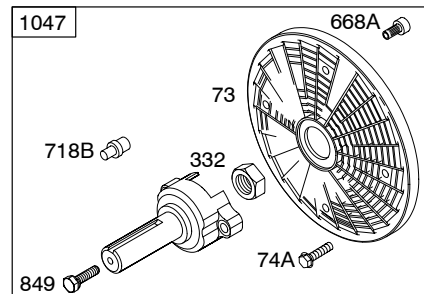
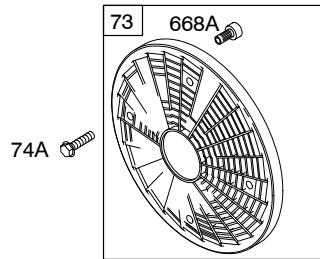
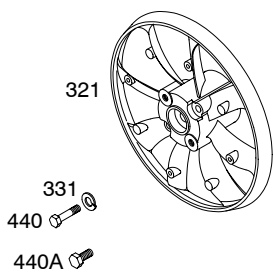
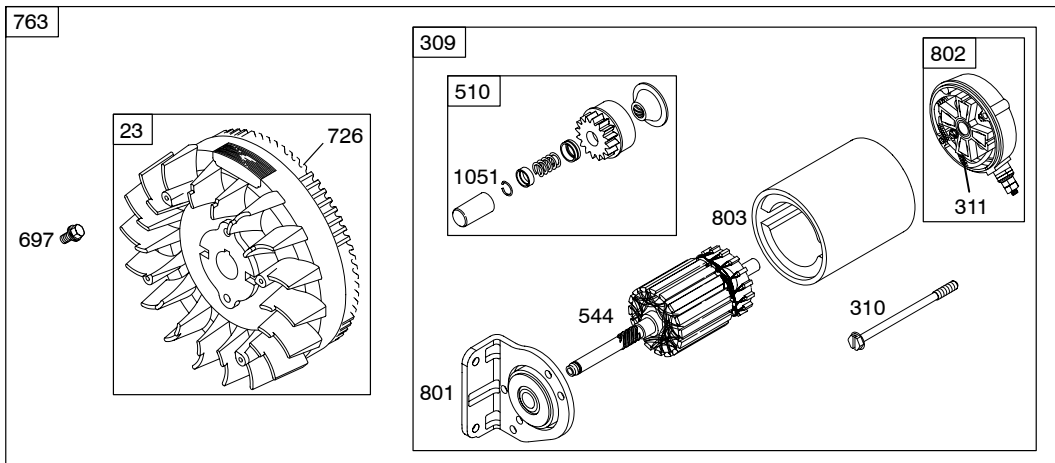
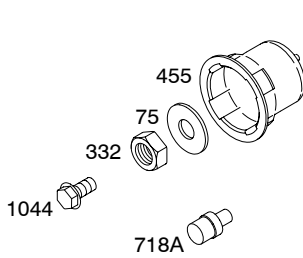
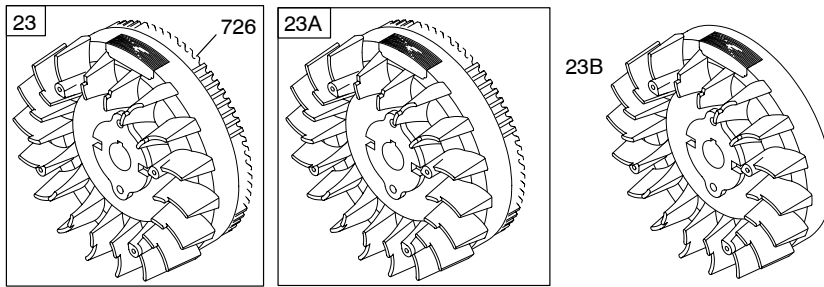


Illustrations cover a range of engines. Parts shown without corresponding text may not be used on your specific engine.
9828-12 Assemblies include all parts shown in frames. 12/22/2005

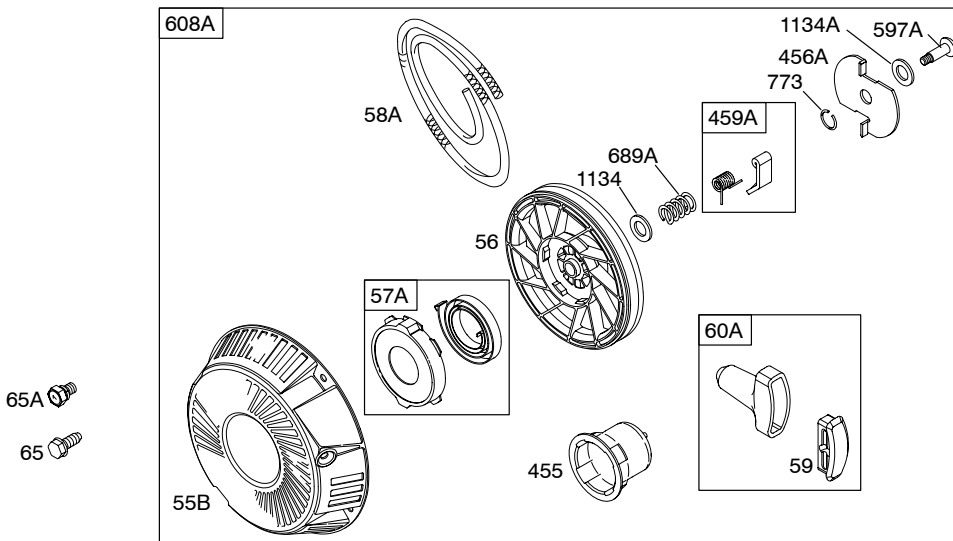
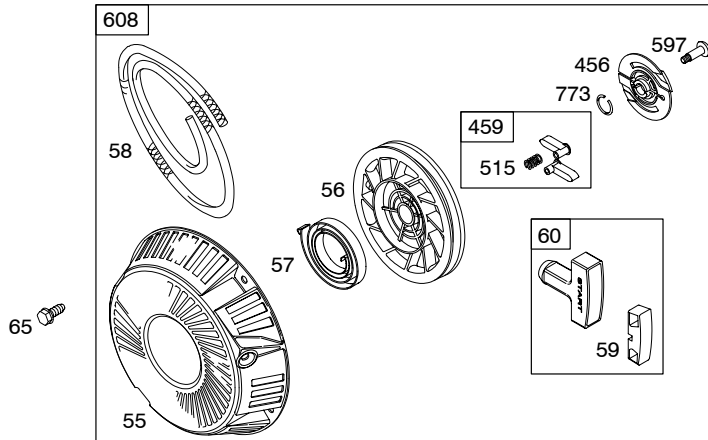


1036 EMISSION LABEL

294400

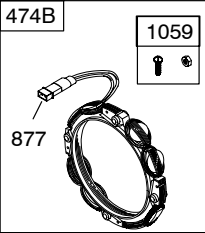
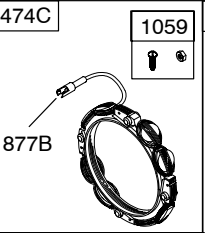
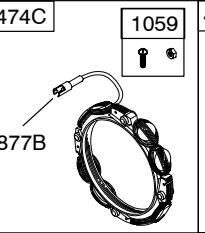
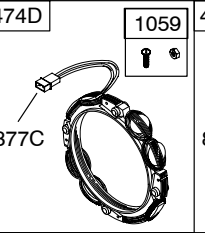
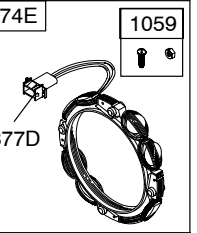
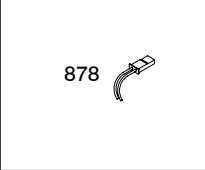

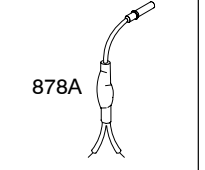
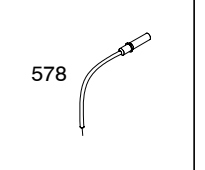
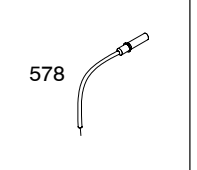

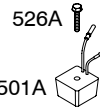

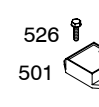
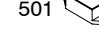
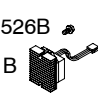



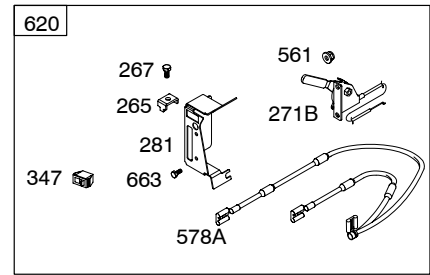
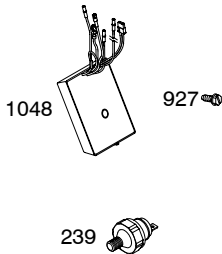
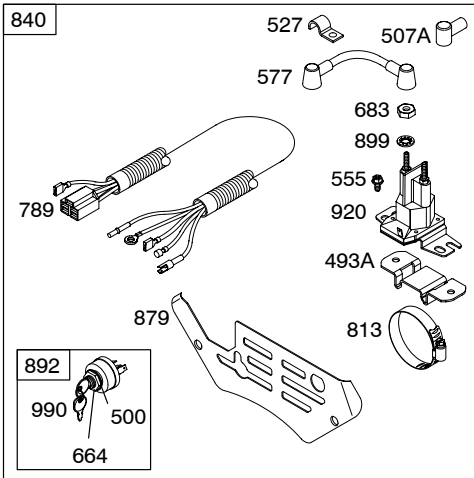
Illustrations cover a range of engines. Parts shown without corresponding text may not be used on your specific engine.
 9828-14 Assemblies include all parts shown in frames. 12/22/2005



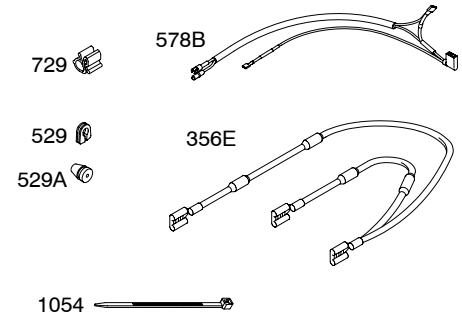
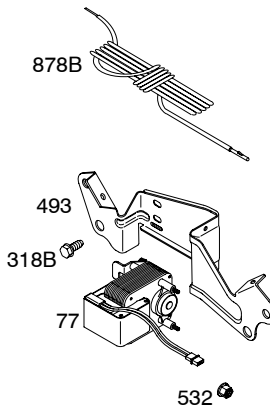
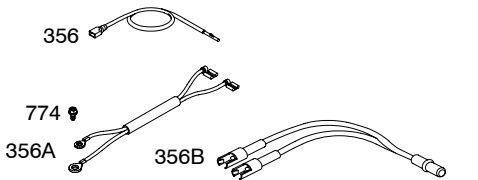
Illustrations cover a range of engines. Parts shown without corresponding text may not be used on your specific engine.
 9828-15 Assemblies include all parts shown in frames. 12/22/2005

294400

DUAL CIRCUIT	5 - 9 AMP	TRI CIRCUIT	10-16 AMP	20 AMP
474B 	474C 	474C 	474D 	474E 
878 	578 	878A 	578 	578 
<p>NOTE: All stators use a No. 1119 mounting screw. </p>		526A  501A 	526  501 	526B  501B 

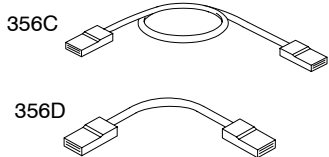


506

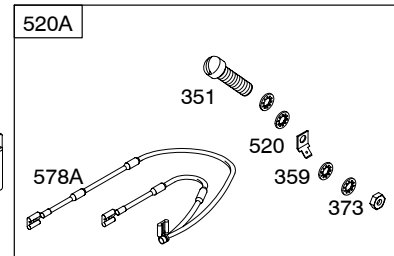
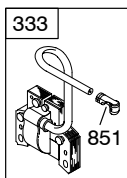


507

520
359
373

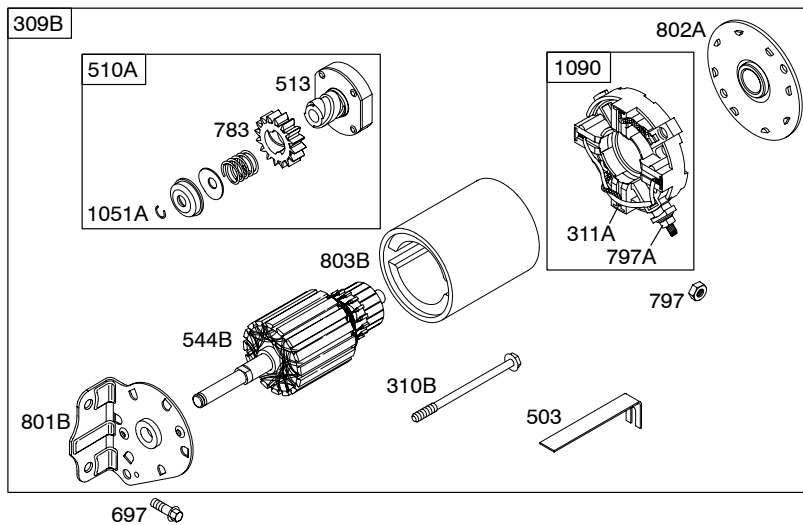
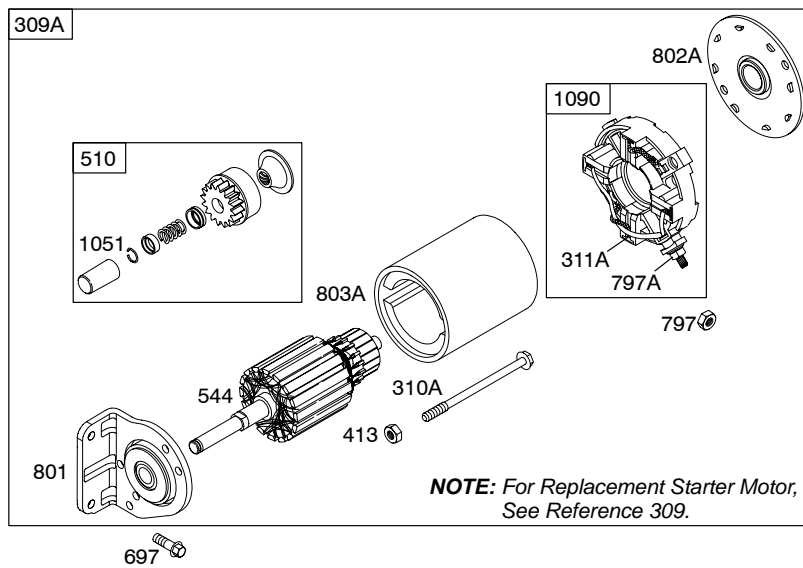
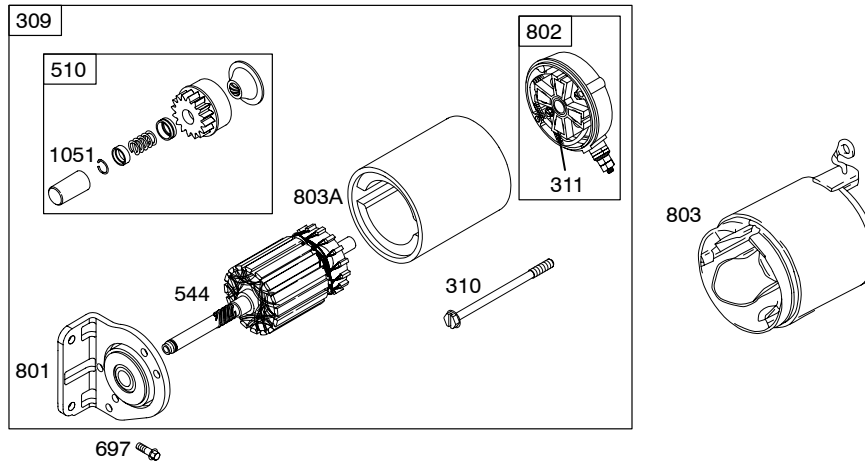


334



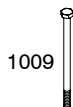
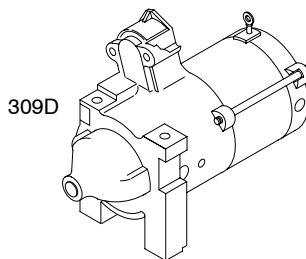
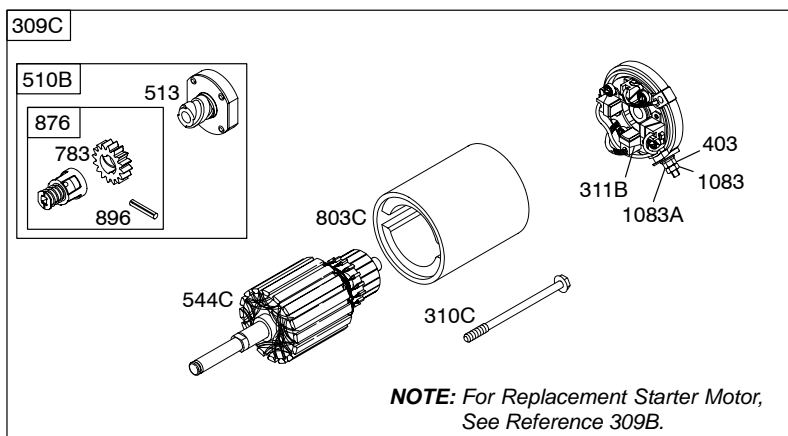
373A

Illustrations cover a range of engines. Parts shown without corresponding text may not be used on your specific engine.
9828-16 Assemblies include all parts shown in frames. 12/22/2005



Illustrations cover a range of engines. Parts shown without corresponding text may not be used on your specific engine.
 9828-17 Assemblies include all parts shown in frames. 12/22/2005

294400



Illustrations cover a range of engines. Parts shown without corresponding text may not be used on your specific engine.
9828-18 Assemblies include all parts shown in frames. 12/22/2005

294400

REF. NO.	PART NO.	DESCRIPTION	REF. NO.	PART NO.	DESCRIPTION	REF. NO.	PART NO.	DESCRIPTION
1	692178	Cylinder Assembly (Used After Code Date 97043000). ----- Note ----- 807521 Cylinder Assembly (Used Before Code Date 97050100). 841081 Cylinder Assembly Used on Type No(s). 1222.	11	691556	Tube-Breather (Used After Code Date 96101000).			807745 Crankshaft (Used Before Code Date 97050100). Used on Type No(s). 0314, 0318, 0319, 0327, 0342, 0354, 0359, 0360, 0361, 0374, 0378, 0417, 0418, 0423, 0427, 0448, 0457, 0461, 1014, 1018, 1019, 1029, 1042, 1054, 1059, 1060, 1061, 1074, 1078, 1115, 1117, 1118, 1123, 1124, 1126, 1127, 1129, 1133, 1134, 1135, 1136, 1138, 1143, 1148, 1157, 1158, 1161, 1165, 1170, 1171, 1172, 1183, 1185, 1187, 1195, 1199, 1204, 1210, 1212, 1236, 1238.
2	808534	Kit-Bushing/Seal (Magneto Side) (Used After Code Date 99043000). ----- Note ----- 807687 Kit-Bushing/Seal (Magneto Side) (Used Before Code Date 99050100).	11A	806083s	Tube-Breather (Used Before Code Date 96101100).			
3	★805101s	Seal-Oil (Magneto Side)	12	★691684	Gasket-Crankcase			
5	809200	Head-Cylinder (Cylinder 1)	13	692059	Screw (Cylinder Head)			
5A	809201	Head-Cylinder (Cylinder 2)	15	690946	Plug-Oil Drain			
6	Δ805193	Washer (Cylinder Head) (Used Before Code Date 94050100).	16	692161	Crankshaft (Used After Code Date 97043000). ----- Note ----- 807589 Crankshaft (Used Before Code Date 97050100). 692162 Crankshaft (Used After Code Date 97043000). Used on Type No(s). 1025, 1077.			
7★	Δ806085s	Gasket-Cylinder Head (Graphoil) (Used After Code Date 96033100).			807590 Crankshaft (Used Before Code Date 97050100). Used on Type No(s). 0325, 0377, 1025, 1077.			692165 Crankshaft (Used After Code Date 97043000). Used on Type No(s). 1128, 1146, 1149, 1162, 1176, 1192, 1193, 1202, 1231.
7A	★Δ807986	Gasket-Cylinder Head (Metal) (Used Before Code Date 96040100).			692163 Crankshaft (Used After Code Date 97043000). Used on Type No(s). 1018, 1019, 1029, 1042, 1059, 1074, 1078, 1115, 1123, 1124, 1126, 1127, 1129, 1133, 1134, 1135, 1138, 1148, 1161, 1165, 1170, 1171, 1172, 1183, 1185, 1187, 1195, 1199, 1204, 1210, 1212, 1219, 1236, 1238, 1254, 1256, 1257, 1258, 1259, 1267, 1274.			807806 Crankshaft (Used Before Code Date 97050100). Used on Type No(s). 0428, 0449, 0462, 1128, 1146, 1149, 1162, 1176, 1192, 1193, 1202.
8	808984	Breather Assembly						692166 Crankshaft (Used After Code Date 97043000). Used on Type No(s). 1211.
9	★809094	Gasket-Breather						
10	690751	Screw (Breather Assembly) (Used After Code Date 90111400). ----- Note ----- 805194 Screw (Breather Assembly) (Used Before Code Date 90111500).						

★ Included in Engine Gasket Set-Ref. No. 358A.

● Included in Carburetor Overhaul Kit-Ref. No. 121A or 121B.

Δ Included in Valve Gasket Set-Ref. No. 1095B.

Illustrations cover a range of engines. Parts shown without corresponding text may not be used on your specific engine.

294400

REF. NO.	PART NO.	DESCRIPTION	REF. NO.	PART NO.	DESCRIPTION	REF. NO.	PART NO.	DESCRIPTION
		807849 Crankshaft (Used Before Code Date 97050100). Used on Type No(s). 1211.	23B	690889	Flywheel (Rewind Starter)	46	691557	Camshaft ----- Note -----
		807590 Crankshaft Used on Type No(s). 0325, 0377, 1025, 1077.	25	807619	Piston Assembly (Standard) ----- Note -----			692157 Camshaft Used on Type No(s). 0327, 1201, 1210, 1256, 1259.
		807806 Crankshaft Used on Type No(s). 0428, 0449, 0462.	26	807620	807809 Piston Assembly (.020" Oversize)	50	690754	Manifold-Intake
17	690752	Bearing-Ball				51	★691694	Gasket-Intake (Manifold To Carburetor)
18	808847	Cover-Crankcase ----- Note -----				51A	★△692035	Gasket-Intake (Manifold to Head)
		808850 Cover-Crankcase Used on Type No(s). 1211.	27	690683	Lock-Piston Pin	54	690676	Screw (Intake Manifold)
		808508 Cover-Crankcase Used on Type No(s). 0327, 1201, 1210, 1256, 1259.	28	807621	Pin-Piston (Standard)	55	691568	Housing-Rewind Starter
20	★805049s	Seal-Oil (PTO Side)	29	807900s	Rod-Connecting (Standard) ----- Note -----	55B	492193	Housing-Rewind Starter
22	807362	Screw (Crankcase Cover/Sump)				56	692085	Pulley-Starter
23	808766	Flywheel (Steel Ring Gear) ----- Note -----	32	690698	Screw (Connecting Rod)	57	692086	Spring-Rewind Starter
		808774 Flywheel (Steel Ring Gear) Used on Type No(s). 0460, 1122, 1132, 1142, 1145, 1146, 1189, 1211, 1231, 1245, 1256, 1259, 1263.	33	807681	Valve-Exhaust	57A	492194	Spring-Rewind Starter
		808770 Flywheel (Steel Ring Gear) Used on Type No(s). 1155, 1261.	34	807680	Valve-Intake	58	66574	Rope-Starter (Cut To Required Length)
23A		Flywheel (For Replacement Flywheel, Order Part Number 808190)	35	692084	Spring-Valve (Intake) (Used After Code Date 94011700).	58A	695002	Rope-Starter (Cut To Required Length)
			36	692084	Spring-Valve (Exhaust) (Used After Code Date 94011700).	59	805957	Insert-Grip
			37	841309	Guard-Flywheel (Aluminum) ----- Note -----	60	808167	Grip-Starter Rope
						60A	490652	Grip-Starter Rope
			39	690745	Deflector-Oil	65	691982	Screw (Rewind Starter)
			39A	808821	Deflector-Oil	65A	841233	Screw (Rewind Starter) (Used After Code Date 03120900).
			40	692058	Retainer-Valve	73	494439	Screen-Rotating (Flush)
			42	807683	Keeper-Valve	73B	690478	Screen-Rotating
			45	690977	Tappet-Valve	74	691655	Screw (Rotating Screen)
						74A	691647	Screw (Rotating Screen)
						75	691490	Washer (Flywheel)
						77	690819	Motor-Servo
						78	690688	Screw (Flywheel Guard)
						91	807919	Body-Upper Carburetor
						94	●808257	Kit-Idle Mixture

★ Included in Engine Gasket Set-Ref. No. 358A.

● Included in Carburetor Overhaul Kit-Ref. No. 121A or 121B.

△ Included in Valve Gasket Set-Ref. No. 1095B.

Illustrations cover a range of engines. Parts shown without corresponding text may not be used on your specific engine.

294400

REF. NO.	PART NO.	DESCRIPTION	REF. NO.	PART NO.	DESCRIPTION	REF. NO.	PART NO.	DESCRIPTION
95	690718	Screw (Throttle Valve)	125B	809008	Carburetor (Pump Feed)	127	●690727	Plug-Welch
97	809007	Shaft-Throttle			----- Note -----	130A	690726	Valve-Throttle
98	808177	Kit-Idle Speed			809016 Carburetor	133A	806961	Float-Carburetor
102A	●692077	Gasket-Carburetor Body			(Pump Feed With Solenoid)			Used on Type No(s). 0481, 1018, 1019, 1025, 1026, 1042, 1046, 1074, 1075, 1077, 1102, 1123, 1135, 1146, 1161, 1176, 1197, 1200, 1219, 1220, 1245, 1246, 1247, 1255, 1256, 1257, 1258, 1259, 1263, 1267, 1271, 1278, 1281.
104	●690723	Pin-Float Hinge			Used on Type No(s). 0478, 1155, 1178, 1261.	142A	●690725	Nozzle-Carburetor (Standard)
105A	●805620	Valve-Float Needle (Gravity Feed)			809009 Carburetor (Pump Feed)	146	691639	Key-Timing
108A	690719	Valve-Choke			(Used After Code Date 00073100).	151	841185	Stud (Exhaust Manifold) Used on Type No(s). 1281, 1282.
109	809096	Shaft-Choke			Used on Type No(s). 0414, 1028, 1064, 1100, 1110, 1114, 1145, 1175, 1196, 1200, 1205, 1252, 1271.	161	691561	Base-Air Cleaner (Metal)
117B	●806652	Jet-Main (Standard) (Used After Code Date 99033000).			808295 Carburetor (Pump Feed) (Used Before Code Date 00080100).			----- Note ----- 690909 Base-Air Cleaner (Metal) Used on Type No(s). 0414, 0478, 1114, 1155, 1178.
		----- Note ----- 690861 Jet-Main (Standard) (Used Before Code Date 99033100).			Used on Type No(s). 0414, 1028, 1064, 1100, 1110, 1114, 1145, 1175, 1196, 1200, 1205, 1252.	161B	808414	Base-Air Cleaner (Metal)
		690741 Jet-Main (Standard) Used on Type No(s). 0478, 1155, 1178, 1261.			809015 Carburetor (Gravity Feed) Used on Type No(s). 0460, 0481.	163	★692081	Gasket-Air Cleaner
118	842238	Jet-Main (High Altitude)			809010 Carburetor (Gravity Feed) Used on Type No(s). 1020, 1049, 1056, 1058, 1085, 1122, 1165, 1169, 1171, 1172, 1179, 1187, 1195, 1202, 1203, 1204, 1211, 1213, 1217, 1222, 1231, 1238, 1241, 1244, 1249, 1250, 1253, 1254, 1269, 1281.	163B	★692052	Gasket-Air Cleaner
		----- Note ----- 842314 Jet-Main (High Altitude) Used on Type No(s). 0478, 1155, 1178, 1261.				167	692297	Seal-Air Cleaner Nut
119	690720	Screw (Upper To Lower Carburetor Body)				171	810056	Nut (Air Cleaner)
121A	809020	Kit-Carburetor Overhaul (Used After Code Date 00073100).				182	492317	Bracket-Fuel Tank
		Used on Type No(s). 0478, 1155, 1178.				182A	690778	Bracket-Fuel Tank
121B	809021	Kit-Carburetor Overhaul				182B	690779	Bracket-Fuel Tank
122A	690691	Spacer-Carburetor				182C	690780	Bracket-Fuel Tank
						182D	690781	Bracket-Fuel Tank
						182E	841601	Bracket-Fuel Tank
						182F	691520	Bracket-Fuel Tank
						182G	841600	Bracket-Fuel Tank

★ Included in Engine Gasket Set-Ref. No. 358A.

● Included in Carburetor Overhaul Kit-Ref. No. 121A or 121B.

△ Included in Valve Gasket Set-Ref. No. 1095B.

Illustrations cover a range of engines. Parts shown without corresponding text may not be used on your specific engine.

9828-21

Assemblies include all parts shown in frames.

12/22/2005

294400

REF. NO.	PART NO.	DESCRIPTION	REF. NO.	PART NO.	DESCRIPTION	REF. NO.	PART NO.	DESCRIPTION
182H	691524	Bracket-Fuel Tank		691507	Spring-Governor	210	691370	Strainer-Fuel
182J	691525	Bracket-Fuel Tank			Used on Type No(s). 0326, 0414, 0478, 1026, 1114, 1155, 1178, 1200.	211	692069	Spring-Governed Idle
187	791766	Line-Fuel (Used After Code Date 05063000). ----- Note ----- 691050 Line-Fuel (Used Before Code Date 05070100).		690710	Spring-Governor Used on Type No(s). 0460, 0480, 0481.			----- Note ----- 692068 Spring-Governed Idle Used on Type No(s). 0342, 0378, 0448, 1042, 1078, 1148, 1219, 1220, 1257, 1258, 1259.
187A	791801	Line-Fuel (Molded) (Used After Code Date 05063000). ----- Note ----- 691049 Line-Fuel (Molded) (Used Before Code Date 05070100).		692071	Spring-Governor Used on Type No(s). 0364, 1028, 1064, 1261.			691505 Spring-Governed Idle Used on Type No(s). 0326, 0414, 1026, 1114, 1155, 1178.
187B	692107	Line-Fuel		691508	Spring-Governor Used on Type No(s). 0040, 0340, 0432, 0449, 1132, 1146, 1149, 1167, 1176, 1203, 1241, 1269.			691553 Spring-Governed Idle Used on Type No(s). 1261.
187C	692106	Line-Fuel			Used on Type No(s). 0422, 0462, 1162, 1163, 1175, 1181, 1192, 1202, 1231, 1249, 1250, 1252.	211A	690707	Spring-Governed Idle Used on Type No(s). 0314, 0318, 0319, 0354, 0359, 0360, 0361, 0374, 0417, 0418, 0423, 0427, 0457, 0461, 1014, 1018, 1019, 1029, 1054, 1059, 1060, 1061, 1074, 1115, 1117, 1118, 1123, 1124, 1126, 1127, 1129, 1133, 1134, 1135, 1136, 1138, 1143, 1157, 1158, 1161, 1165, 1170, 1171, 1172, 1183, 1185, 1187, 1195, 1199, 1204, 1211, 1212, 1236, 1238, 1254, 1267, 1274.
187D	692108	Line-Fuel		692072	Spring-Governor Used on Type No(s). 0327.			
188	692056	Screw (Control Bracket)		691832	Spring-Governor Used on Type No(s). 0314, 0318, 0319, 0354, 0359, 0360, 0361, 0374, 0417, 0418, 0423, 0427, 0457, 0461, 1014, 1018, 1019, 1029, 1054, 1059, 1060, 1061, 1074, 1115, 1117, 1118, 1123, 1124, 1126, 1127, 1129, 1133, 1134, 1135, 1136, 1138, 1143, 1157, 1158, 1161, 1165, 1170, 1171, 1172, 1183, 1185, 1187, 1195, 1199, 1204, 1211, 1212, 1236, 1238, 1254, 1267, 1274.	212	690712	Link-Throttle
190	692199	Screw (Fuel Tank)				212A	691519	Link-Throttle
192	807623	Adjuster-Rocker Arm				216	690705	Link-Choke
203	690923	Crank-Bell				222	808454	Bracket-Control (Used With Control Lever And/Or Wire With "Z" Formed End)
205	692083	Screw (Bell Crank)						
206	691244	Nut-Governor Adjusting (Used After Code Date 96033100).	209A	690709	Spring-Governor Used on Type No(s). 0314, 0318, 0319, 0354, 0359, 0360, 0361, 0374, 0417, 0418, 0423, 0427, 0457, 0461, 1014, 1018, 1019, 1029, 1054, 1059, 1060, 1061, 1074, 1115, 1117, 1118, 1123, 1124, 1126, 1127, 1129, 1133, 1134, 1135, 1136, 1138, 1143, 1157, 1158, 1161, 1165, 1170, 1171, 1172, 1183, 1185, 1187, 1195, 1199, 1204, 1211, 1212, 1236, 1238, 1254, 1267, 1274.			
208	691549	Rod-Governor Control (Used After Code Date 96033100).						
208A	808453	Rod-Governor Control (Used Before Code Date 96040100).						
209	692070	Spring-Governor ----- Note ----- 691506 Spring-Governor Used on Type No(s). 0342, 0378, 0448, 1042, 1078, 1148, 1219, 1220, 1257, 1258.						

★ Included in Engine Gasket Set-Ref. No. 358A.
● Included in Carburetor Overhaul Kit-Ref. No. 121A or 121B.

△ Included in Valve Gasket Set-Ref. No. 1095B.

Illustrations cover a range of engines. Parts shown without corresponding text may not be used on your specific engine.

294400

REF. NO.	PART NO.	DESCRIPTION	REF. NO.	PART NO.	DESCRIPTION	REF. NO.	PART NO.	DESCRIPTION
222A	690918	Bracket-Control (Used With Control Lever And/Or Wire With "L" Formed End) ----- Note ----- 691570 Bracket- Control Used on Type No(s). 0414, 0478, 1114, 1155, 1178.	276A	●807085	Washer-Sealing (Used After Code Date 01120200). ----- Note ----- 691766 Washer- Sealing (Used Before Code Date 01120300).	304	808408	Housing-Blower (Black)(With Weld Nut)(For Metal Air Cleaner Base) ----- Note ----- 808055 Housing- Blower (Used After Code Date 90113000). Used on Type No(s). 0030, 0040, 0102, 0108, 0109, 0111, 0340, 0410, 0412, 1281, 1282.
226	692075	Rod-Hand Choke	276B	690724	Washer-Sealing (Carburetor Plug)	304A	807814	Housing-Blower (Black)(Without Weld Nut)(For Plastic Air Cleaner Base) (Used Before Code Date 90120100). Used on Type No(s). 0030, 0040, 0108, 0109, 0111, 0340, 0410, 0412.
227	690236	Lever-Governor Control	278	842122	Washer (Governor Control Lever)	305A	692062	Screw (Blower Housing)
231	692056	Screw (Choke Valve)	280	691526	Bracket-Rod	305B	807163	Screw (Blower Housing)
232	692073	Spring-Governor Link	281	690742	Panel-Control	308	841232	Cover-Cylinder Head (Used After Code Date 90111600). ----- Note ----- 807656 Cover- Cylinder Head (Cylinder 1)(Black) (Used Before Code Date 90111700). 806546 Cover- Cylinder Head (Cylinder 2)(Black) (Used Before Code Date 98113000). Used on Type No(s). 1219, 1267.
234	691723	Clip-Control Rod	282	692083	Screw (Control Lever)			
239	690233	Switch-Oil Pressure	287	692062	Screw (Dipstick Tube)			
240	298090s	Filter-Fuel	287A	806660	Screw (Dipstick Tube)			
240A	691035	Filter-Fuel	297A	691331	Nut (Air Filter Retainer)			
240B	808116s	Filter-Fuel	300A	807742	Muffler			
255	●690721	Bushing-Choke Shaft	300B	498984s	Muffler Used on Type No(s). 1271.			
262	692083	Screw (Rod Bracket)	300D	692099	Muffler (Lo Mount)			
265	691024	Clamp-Casing	300E	690906	Muffler (Cylinder 1) (Side Outlet)			
267	692083	Screw (Casing Clamp)	300F	690931	Muffler (Special High Mount)			
268	691025	Casing-Control Wire (Cut To Required Length)	300G	691562	Muffler (Cylinder 2) (Side Outlet)			
269	691026	Wire-Control (Cut To Required Length)	300H	807831	Muffler (Cylinder 1) (Side Outlet) (Starter Motor Side)			
270	691027	Nut (Control Wire Casing)	300K	808379	Muffler (Cylinder 2) (Side Outlet) (Oil Filter Side)			
271	692541	Lever-Control (Cable Wire With "Z" Formed End)	300L	808380	Muffler (Cylinder 1) (Side Outlet) (Starter Motor Side)			
271A	692105	Lever-Control (Cable Wire With "L" Formed End)						
271B	691028	Lever-Control						
273	★690681	Seal-O Ring (Oil Pump)						
276	★△690704	Washer-Sealing (Governor Crank)						

★ Included in Engine Gasket Set-Ref. No. 358A.

● Included in Carburetor Overhaul Kit-Ref. No. 121A or 121B.

△ Included in Valve Gasket Set-Ref. No. 1095B.

Illustrations cover a range of engines. Parts shown without corresponding text may not be used on your specific engine.
9828-23 Assemblies include all parts shown in frames. 12/22/2005

294400

REF. NO.	PART NO.	DESCRIPTION	REF. NO.	PART NO.	DESCRIPTION	REF. NO.	PART NO.	DESCRIPTION
308A	807869	Cover-Cylinder Head (Cylinder 2)(Black) (Used After Code Date 90111600). ----- Note ----- 807657 Cover-Cylinder Head (Cylinder 2)(Black) (Used Before Code Date 90111700). 806544 Cover-Cylinder Head (Cylinder 2)(Black) Used on Type No(s). 1110, 1169, 1196, 1200, 1271.	310C	692329	Screw (Starter Motor) (5-3/8" Long)			792015 Plug-Spark Used on Type No(s). 1018, 1019, 1020, 1025, 1056, 1074, 1122, 1123, 1135, 1146, 1161, 1165, 1169, 1171, 1172, 1175, 1176, 1179, 1187, 1195, 1197, 1200, 1203, 1211, 1219, 1220, 1222, 1223, 1231, 1238, 1241, 1245, 1246, 1247, 1249, 1250, 1252, 1253, 1254, 1255, 1256, 1259, 1263, 1267, 1268, 1269, 1271, 1274, 1278, 1281, 1282.
308B	841317	Cover-Cylinder Head (Cylinder 1)(Black)	311	496887	Brush Set			
308C	806544	Cover-Cylinder Head (Cylinder 2)(Black)	311A	497608	Brush Set			
308F	841182	Cover-Cylinder Head (Cylinder 2)(Black) Used on Type No(s). 0481, 1222, 1274, 1278.	311B	490311	Brush Set (4 9/16" Housing Length)			
309	691564	Motor-Starter (Services Aluminum Ring Gear Only)	318	841233	Screw (Mounting Bracket) (Used After Code Date 03120900). ----- Note ----- 690932 Screw (Mounting Bracket) Used on Type No(s). 1256, 1259.	338	*Δ691312	Gasket-Dipstick
309A		Motor-Starter (For Replacement Starter Motor, Order Reference 309)	318B	807163	Screw (Mounting Bracket)	346	690661	Screw (Spark Arrestor)
309B	499521	Motor-Starter (Services Aluminum Ring Gear Only)	321	690379	Fan-Booster	347	691995	Switch-Rocker
309C		Motor-Starter (Serviced By 499521 Starter Motor Only)	322	841233	Screw (Cylinder Head Cover) (Used After Code Date 03120900).	349	690238	Nut (Cylinder Head Cover)
309D	808817	Motor-Starter Used on Type No(s). 1222, 1223.	322A	692067	Screw (Cylinder Head Cover)	351	692083	Screw (Ground Terminal)
310	496880	Screw (Starter Motor) (4 1/4" Long)	331	691075	Washer (Booster Fan)	355A	690944	Washer (Muffler Bracket)
310A	690323	Screw (Starter Motor) (4 7/16" Long)	332	690887	Nut (Flywheel)	356	690796	Wire-Stop
310B	691263	Screw (Starter Motor) (4 13/16" Long)	333	492341	Armature-Magneto	356A	690809	Wire-Stop
			334	692066	Screw (Magneto Armature)	356B	692961	Wire-Stop Used on Type No(s). 1256, 1259.
			337	491055s	Plug-Spark ----- Note ----- 496018s Plug-Spark Used on Type No(s). 1155.	356C	807593	Wire-Stop (Cylinder 1) (Used Before Code Date 90120200).
						356D	807594	Wire-Stop (Cylinder 2) (Used Before Code Date 90120200).
						356E	691999	Wire-Stop (Ignition Coil)

★ Included in Engine Gasket Set-Ref. No. 358A.

● Included in Carburetor Overhaul Kit-Ref. No. 121A or 121B.

Δ Included in Valve Gasket Set-Ref. No. 1095B.

Illustrations cover a range of engines. Parts shown without corresponding text may not be used on your specific engine.

9828-24

Assemblies include all parts shown in frames.

12/22/2005

294400

REF. NO.	PART NO.	DESCRIPTION	REF. NO.	PART NO.	DESCRIPTION	REF. NO.	PART NO.	DESCRIPTION
357	691483	Key-Drive Pulley	439	★692154	Seal-O Ring (Crankcase Cover/Sump) (Used After Code Date 97043000).	474E	696579	Alternator (20 Amp) Used on Type No(s). 1155, 1261.
358A	842722	Gasket Set-Engine (Used After Code Date 01120200). ----- Note ----- 808390 Gasket Set-Engine (Used Before Code Date 01120300).				479	807084	Screw (Oil Pump Screen)
359	691077	Washer (Ground Terminal)				493	691518	Bracket-Mounting
363	19203	Puller-Flywheel	440	690335	Screw (Booster Fan)	493A	691177	Bracket-Mounting (Solenoid)
365	690711	Screw (Carburetor)	440A	690342	Screw (Booster Fan)	493C	691503	Bracket-Mounting
373	691612	Nut (Ground Terminal)	445	394018s	Filter-Air Cleaner Cartridge	500	691086	Washer (Key Switch)
373A	690713	Nut (Ground Terminal)	445A	805113	Filter-Air Cleaner Cartridge	501	691185	Regulator
377	808095	Key-Woodruff	445B	393957s	Filter-Air Cleaner Cartridge	501A	691188	Regulator
383	19374s	Wrench-Spark Plug ----- Note ----- 19576s Wrench-Spark Plug Used on Type No(s). 1176, 1203, 1231, 1269, 1271.	447	841233	Screw (Air Guide Cover)	501B	691573	Regulator Used on Type No(s). 1155, 1261.
385	807084	Screw (Fuel Pump)	450	806497	Washer (Fuel Tank Bracket)	503	691532	Strap-Starter
387	808656	Pump-Fuel	455	691517	Cup-Flywheel (Used After Code Date 93072500). ----- Note ----- 805153 Cup-Flywheel (Used Before Code Date 93072600).	505	690238	Nut (Governor Control Lever)
403	690288	Washer (End Cap)	456	691529	Plate-Pawl Friction	506	690677	Screw (Carburetor Cover)
413	693587	Nut (Starter Motor)	456A	224228	Plate-Pawl Friction	507	691972	Insulator
415	690283	Plug	459	808166	Pawl-Ratchet	507A	281223	Insulator
432	691509	Cap-Spring	459A	492431	Pawl-Ratchet	510	496881	Drive-Starter
436	692061	Manifold-Exhaust (Used With Muffler 807742)	467	691985	Knob-Air Cleaner	510A	696541	Drive-Starter
436A	691499	Manifold-Exhaust (Cylinder 2) (Side Outlet)	467B	691668	Knob-Air Cleaner	510B	696540	Drive-Starter
436B	691501	Manifold-Exhaust (Used With Muffler Supplied By Customer)	468	★690690	Seal-O Ring (Oil Pump Screen)	513	692024	Clutch-Drive
436D	691502	Manifold-Exhaust Used on Type No(s). 1271.	474B	696459	Alternator (Dual Circuit)	515	691528	Spring-Pawl
437	691902	Screw (Exhaust Manifold)	474C	696457	Alternator (5 To 9 Amp Regulated)	520	691084	Terminal-Ground
			474D	696458	Alternator (10-16 Amp Regulated)	520A	809077	Terminal-Ground (Used Before Code Date 90120200).
						522	491832	Plug-Dipstick/Fill
						523	692100	Dipstick (Standard)
						523A	693175	Dipstick (Special)
						524	Δ693172	Seal-Dipstick Tube (Used After Code Date 98053100). ----- Note ----- 281370s Seal-Dipstick Tube (Used Before Code Date 98060100).
						525	693174	Tube-Dipstick (Special)

★ Included in Engine Gasket Set-Ref. No. 358A.

● Included in Carburetor Overhaul Kit-Ref. No. 121A or 121B.

Δ Included in Valve Gasket Set-Ref. No. 1095B.

Illustrations cover a range of engines. Parts shown without corresponding text may not be used on your specific engine.

9828-25

Assemblies include all parts shown in frames.

12/22/2005

294400

REF. NO.	PART NO.	DESCRIPTION	REF. NO.	PART NO.	DESCRIPTION	REF. NO.	PART NO.	DESCRIPTION
525C	690897	Tube-Dipstick (Standard) ----- Note ----- 690907 Tube-Dipstick (Standard) Used on Type No(s). 0445, 1145.	573	841310	Plate-Back ----- Note ----- 693045 Plate-Back Used on Type No(s). 1223. 841127 Plate-Back Used on Type No(s). 1222.	633A	695414	Seal-Choke/Throttle Shaft
526	692067	Screw (Regulator)(10-16 Amp Regulated)	577	690795	Cable-Starter	633B	806131	Seal-Choke/Throttle Shaft
526A	690717	Screw (Regulator)(5 To 9 Amp Regulated)	578	692306	Wire Assembly	635	692076	Boot-Spark Plug
526B	691547	Screw (Regulator) Used on Type No(s). 1155, 1261.	578A	692319	Wire Assembly	638	690706	Washer (Cylinder Head Cover) ----- Note ----- 691551 Washer (Cylinder Head Cover) (Used Before Code Date 03110100).
527	690423	Clamp-Tube	578B	691377	Wire Assembly	643	692079	Retainer-Air Filter
529	690744	Grommet	596	691492	Screw (Oil Pump)	643A	690447	Retainer-Air Filter
529A	691527	Grommet	597	690876	Screw (Pawl Friction Plate)	643B	691730	Retainer-Air Filter
532	691115	Nut (Mounting Bracket)	597A	94463	Screw (Pawl Friction Plate)	650	692539	Screw (Oil Deflector)
544		Armature-Starter (Service With 691564 Starter Motor Only)	598	807625	Shim-End Play (Crankshaft or Camshaft Bearing)	663	692083	Screw (Control Panel)
544B		Armature-Starter (Serviced By 499521 Starter Motor Only)	601	691038	Clamp-Hose	664	691087	Nut (Key Switch)
544C	490309	Armature-Starter (4 3/8" Housing Length)	601A	805813	Clamp-Hose	668A	691500	Spacer
552	690701	Bushing-Governor Crank (Output End)	601B	95162s	Clamp-Hose	674	692056	Screw (Fuel Tank Bracket)(M8 X 14)
552A	806686	Bushing-Governor Crank (Flanged)	601C	691522	Clamp-Hose	674A	94536	Screw (Fuel Tank Bracket)
555	692067	Screw (Starter Solenoid)	608	692102	Starter-Rewind (Used After Code Date 93072500).	674B	692062	Screw (Fuel Tank Bracket)(M8 X 18)
561	690713	Nut (Control Lever)	608A	808152	Starter-Rewind (Used Before Code Date 93072600).	676	393761	Deflector-Muffler (Side Out)
562	690239	Bolt (Governor Control Lever)	613A	692067	Screw (Muffler)	676A	397630	Deflector-Muffler (Louvered)
565	690682	Stud (Oil Filter Adapter)	615B	691550	Retainer-Governor Shaft	676B	396903	Deflector-Muffler (Direct Out)
572	690686	Baffle-Breather	616	806685	Crank-Governor (Used After Code Date 99072000).	676C	495518	Deflector-Muffler (90 Degree Outlet)
			616A	690899	Crank-Governor (Used Before Code Date 99072100).	676E	808393	Deflector-Muffler
			620	494052	Panel-Speed Control	677	810079	Screw (Muffler Deflector)
			628	806660	Screw (Fuel Pump Bracket)	677A	690688	Screw (Muffler Deflector)
			629	806717	Spring-Throttle Return	677B	690661	Screw (Muffler Deflector)
			629A	806716	Spring-Throttle Return	681	808798	Kit-Needle/Seat Used on Type No(s). 1219, 1278.
			629B	692088	Spring-Throttle Return			
			633	690722	Seal-Choke/Throttle Shaft			

★ Included in Engine Gasket Set-Ref. No. 358A.
● Included in Carburetor Overhaul Kit-Ref. No. 121A or 121B.

△ Included in Valve Gasket Set-Ref. No. 1095B.

Illustrations cover a range of engines. Parts shown without corresponding text may not be used on your specific engine.

294400

REF. NO.	PART NO.	DESCRIPTION	REF. NO.	PART NO.	DESCRIPTION	REF. NO.	PART NO.	DESCRIPTION
683	691029	Nut (Starter Solenoid)	788	691559	Bracket-Fuel Pump	830	809157	Stud-Rocker Arm (Used After Code Date 96033100).
689	691272	Spring-Friction	789	691996	Harness-Wiring	830A	691497	Stud-Rocker Arm (Used Before Code Date 96040100).
689A	262564	Spring-Friction			----- Note -----			
691	★690680	Seal-Governor Shaft			841318 Harness- Wiring			
697	692062	Screw (Drive Cap)			Used on Type No(s). 1222, 1223.			
703	94484	Clip	797	691029	Nut (Brush Retainer)	832	691571	Guard-Muffler
706	805484	Washer (Breather Assembly) (Used Before Code Date 90111500).	797A	693167	Nut (Brush Retainer)	833A	690872	Screw (Air Cleaner Mounting Strap/Stud)
710	807689	Cover-Oil Filter	801	808778	Cap-Drive	833B	691593	Screw (Air Cleaner Mounting Strap/Stud)
718	806469	Pin-Locating	801B	691283	Cap-Drive	836	691514	Screw (Muffler Guard)
718A	805102	Pin-Locating (Used Before Code Date 90091100).	802	496813	Cap-End	836A	692067	Screw (Muffler Guard)
718B	690740	Pin-Locating	802A	691286	Cap-End			
725	280866	Shield-Heat	803	690854	Housing-Starter ----- Note -----	837	808085	Spacer-Muffler (Includes 2)
725A	805702	Shield-Heat			820783 Housing- Starter	840	692096	Kit-Panel
725B	691498	Shield-Heat			Used on Type No(s). 1222, 1223.	842	★690611	Seal-O Ring (Dipstick Tube)
726		Gear-Ring (Steel)(See Reference 23 for Service)	803A	693547	Housing-Starter	843	691322	Sleeve-Lever
727	841313	Cover-Starter Drive (Black)	803B		Housing-Starter (Served By 499521 Starter Motor Only)	849	691088	Screw (Stub Shaft)
728	691514	Screw (Heat Shield)	803C	494205	Housing-Starter (4 3/8" Housing Length)	851	493880s	Terminal-Spark Plug
728A	692067	Screw (Heat Shield)			----- Note -----	862	692153	Strap/Stud-Air Cleaner Mounting
728B	805704	Screw (Heat Shield)			398892 Housing- Starter	862C	807563	Strap/Stud-Air Cleaner Mounting
729	690586	Clip-Wire			(4 9/16" Housing Length)	862D	691565	Strap/Stud-Air Cleaner Mounting
732	690688	Screw (Starter Drive Cover)	807	●805557	Spacer-Throttle	863	691513	Bracket-Muffler (Cylinder 2) (Side Outlet)
732A	841233	Screw (Starter Drive Cover) (Used After Code Date 03120900).	812	Δ692055	Nut (Rocker Cover) (Used Before Code Date 01120300).	863A	690756	Bracket-Muffler (Cylinder 1) (Side Outlet)
737	690679	Screw (Oil Filter Adapter)	813	690635	Clamp	865	841312	Cover-Air Guide (Black)
741	691530	Gear-Timing	816	690706	Washer (Oil Filter Adapter)	865A	841319	Cover-Air Guide (Black)
763	808190	Kit-Starter (For 12 Volt Gear Drive)	819	692056	Screw (Muffler Bracket) (14 mm Long) ----- Note -----			
773	690875	Retainer			692067 Screw (Muffler Bracket) (Remote Lo Tone)			690908 Cover-Air Guide (Black) Used on Type No(s). 0445, 1145.
774	692067	Screw (Stop Wire)	819A	690943	Screw (Muffler Bracket) (16 mm Long)			807653 Cover-Air Guide (Red) Used on Type No(s). 0030.
783	695708	Gear-Pinion (For Aluminum Ring Gear Only)						

★ Included in Engine Gasket Set-Ref. No. 358A.

● Included in Carburetor Overhaul Kit-Ref. No. 121A or 121B.

Δ Included in Valve Gasket Set-Ref. No. 1095B.

Illustrations cover a range of engines. Parts shown without corresponding text may not be used on your specific engine.
 9828-27 Assemblies include all parts shown in frames. 12/22/2005

294400

REF. NO.	PART NO.	DESCRIPTION	REF. NO.	PART NO.	DESCRIPTION	REF. NO.	PART NO.	DESCRIPTION
868	★Δ691963	Seal-Valve	955A	807723	Plug-Carburetor (Jet)	1019	808035	Kit-Label
871	692057	Bushing-Valve Guide	957	491367s	Cap-Fuel Tank (Plastic)	1022★Δ806039s		Gasket-Rocker Cover
875	690894	Base-Air Cleaner (Plastic)	957A	493988s	Cap-Fuel Tank (Plastic)	1023	690758	Cover-Rocker (Used After Code Date 98053100).
876	696539	Kit-Pinion Spring	958	698182	Valve-Fuel Shut Off (Plastic)	1023B	691494	Cover-Rocker (Used Before Code Date 98060100).
877	393456	Wire/Connector-Alternator (White Dual Plug)	958A	698183	Valve-Fuel Shut Off (Plastic)	1023C	690910	Cover-Rocker (Cylinder 1) (With Fuel Pump) (Used After Code Date 98053100).
877B	393537	Wire/Connector-Alternator (Green)(Single Plug)	958B	692008	Valve-Fuel Shut Off (Plastic)	1023D	691558	Cover-Rocker (Used On Cylinder 1 Fuel Pump Applications) (Used Before Code Date 98060100).
877C	399916	Wire/Connector-Alternator	967A	272490s	Filter-Pre Cleaner	1023E	691531	Cover-Rocker (Used On Engines Equipped With 9 Quart Fuel Tanks)
877D	698092	Wire/Connector-Alternator	967B	805267s	Filter-Pre Cleaner	1024	693185	Pump-Oil
878	398661	Harness-Alternator	967C	271794s	Filter-Pre Cleaner	1025	690689	Spool-Governor
878A	691955	Harness-Alternator	968A	699959	Cover-Air Cleaner	1026	691836	Rod-Push (Intake)(Steel) ----- Note -----
878B	691362	Harness-Alternator Used on Type No(s). 1155, 1261. (Single Lead)	968B	690694	Cover-Air Cleaner			691758 Rod-Push (Exhaust)(Aluminum)
879	690757	Cover-Carburetor ----- Note -----	968C	691910	Cover-Air Cleaner	1027	492932s	Filter-Oil (2 1/4" Long) (Used After Code Date 95020500). ----- Note -----
		841130 Cover-Carburetor Used on Type No(s). 1277.	968D	691755	Cover-Air Cleaner			491056 Filter-Oil (3 1/4" Long) (Used Before Code Date 95020600).
882	692074	Flange-Exhaust	968E	691334	Cover-Air Cleaner	1028	808033	Adapter-Oil Filter (Horizontal Mounted Oil Filter) ----- Note -----
883	★Δ691613	Gasket-Exhaust	971A	692537	Screw (Air Cleaner Base to Carburetor)			808235 Adapter-Oil Filter
884	690898	Clamp-Muffler	971B	690699	Screw (Air Cleaner Base to Carburetor)	1029	807323	Arm-Rocker
884A	691956	Clamp-Muffler	972	492369	Tank-Fuel (Plastic)	1030	691496	Support-Rocker Arm
892	692318	Switch-Key	972A	690663	Tank-Fuel (Plastic)	1031	690693	Shaft-Rocker Arm
896	691641	Pin-Drive Retainer	988	★692063	Gasket-Oil Adapter			
899	691077	Washer (Starter Solenoid)	988A	690687	Gasket-Oil Adapter			
918	393815	Hose-Vacuum (Rocker Cover To Impulse Pump)(Cut To Required Length)	990	691959	Key Set			
920	691656	Solenoid-Starter ----- Note -----	994	392390	Arrestor-Spark ----- Note -----			
		825418 Solenoid-Starter Used on Type No(s). 1223.			808361 Arrestor-Spark Used on Type No(s). 1267.			
927	691116	Screw (Electronic Governor Module)	996	691577	Shield-Carburetor			
947A	692094	Solenoid-Fuel	996C	690696	Shield-Carburetor			
			1004	690743	Duct-Air			
			1004B	692538	Duct-Air (Used With Plastic Air Cleaner Base)			
			1009	806474	Screw (Starter Motor)			
			1012	690592	Retainer-Link			
			1017	690900	Screen-Oil Pump			

★ Included in Engine Gasket Set-Ref. No. 358A.

● Included in Carburetor Overhaul Kit-Ref. No. 121A or 121B.

Δ Included in Valve Gasket Set-Ref. No. 1095B.

Illustrations cover a range of engines. Parts shown without corresponding text may not be used on your specific engine.

294400

REF. NO.	PART NO.	DESCRIPTION	REF. NO.	PART NO.	DESCRIPTION	REF. NO.	PART NO.	DESCRIPTION
1036		Label-Emissions (Available from an Authorized Briggs & Stratton Service Dealer)	1091	●691516	Cap-Limiter	1135	806497	Washer (Crankcase Cover/Sump)
1038	492374	Rod-Fuel Shut Off	1095B	842723	Gasket Set-Valve (Used After Code Date 01120200). ----- Note -----	1148	94504	Screw (Clip)(Side Out)
1038A	691567	Rod-Fuel Shut Off		808392	Gasket Set-Valve (Used Before Code Date 01120300).	1176	842067	Nut (Exhaust Manifold) Used on Type No(s). 1281, 1282.
1044	692056	Screw (Flywheel)	1100	690973	Pivot-Rocker Arm	1254	807084	Screw (Rocker Cover Stud)(Used on Stud For Rocker Cover) (Used After Code Date 01120200).
1046	692082	Plug-Blower Housing	1119	691552	Screw (Alternator)	1330	272144	Repair Manual
1047	807867	Shaft-Stub	1122	93410	Screw (Blower Housing Adapter)	1344	841129	Cable-Choke Used on Type No(s). 1277.
1048	690669	Module-Electronic Governor	1133	690342	Screw (Crankshaft)			
1051	691124	Ring-Retaining	1134	94464	Washer (Pawl Friction Plate)			
1051A	691265	Ring-Retaining	1134A	94462	Washer (Pawl Friction Plate)			
1054	280275	Tie-Cable						
1058	276343	Operator's Manual						
1059	698516	Kit-Screw/Washer						
1083	691626	Nut (End Cap)						
1083A	690958	Nut (End Cap)						
1090	691293	Retainer-Brush ----- Note ----- 825412 Retainer- Brush Used on Type No(s). 1222, 1223.						

★ Included in Engine Gasket Set-Ref. No. 358A.

● Included in Carburetor Overhaul Kit-Ref. No. 121A or 121B.

△ Included in Valve Gasket Set-Ref. No. 1095B.

Illustrations cover a range of engines. Parts shown without corresponding text may not be used on your specific engine.

9828-29

Assemblies include all parts shown in frames.

12/22/2005