

28F700 to 28F799

Illustrated Parts List

Model Series

28F700 to 28F799

TYPE NUMBERS
0298.

TO FIND
THE CORRECT NUMBER OF THE PART YOU NEED:
FOLLOW THE INSTRUCTIONS BELOW

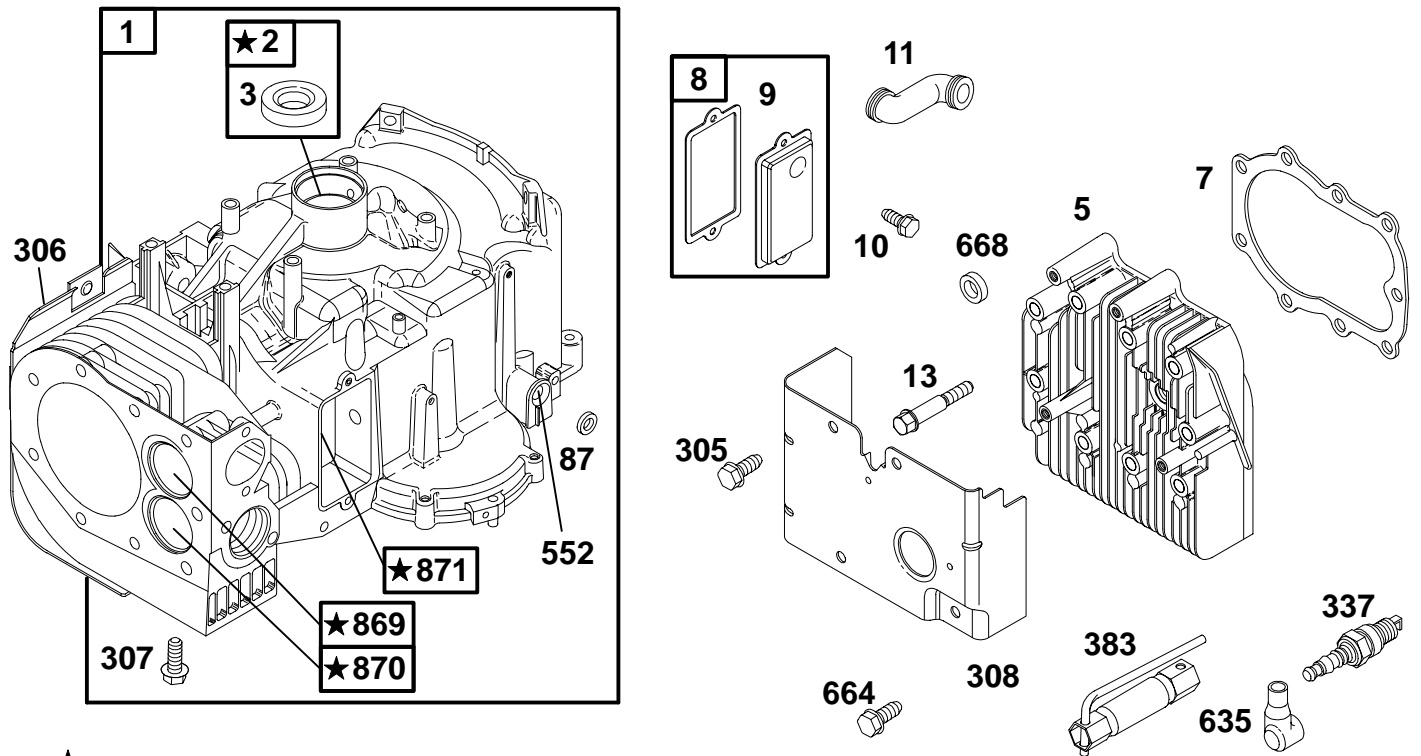
- A. Refer to Engine Model, Type and Code Number that is stamped on the blower housing of engine. Engine type numbers such as 0123 01 are listed only as 0123 in most instances. The two digits (01 or 02, etc.) to the right of the space may be required for more accurate parts identification in some instances. Select the Illustrated Parts List covering the correct Model Series and Type Number.
- B. Refer to the Illustrations and compare the original part with Illustration. The number next to the illustration is the Reference Number. Assemblies include all parts shown in frames. All parts shown in assembly frames having individual reference numbers can be purchased separately.
- C. After the Reference Number has been identified, refer to the Numerical text, where Reference and Primary Part Number are listed. **THE PRIMARY PART IS USED ON ALL TYPE NUMBERS EXCEPT THOSE TYPE NUMBERS UNDER "NOTE."**
- D. If a "Note" appears below the Primary Part Number, it means that this part differs from the Primary Part for certain types. If your Type number is listed under "Note," order the part referred to at the "Note."
- E. If your Engine Type Number does not appear after any part number listed under "Note," use the Primary Part Number.
- F. For Engine Type Numbers not covered by this book, check other Parts Lists having the same engine model or contact your source of supply.

PRINTED IN U.S.A.



COPYRIGHT by BRIGGS & STRATTON CORPORATION
All rights reserved. No part of this material may be reproduced or transmitted, in any form or by any means, electronic or mechanical, including photocopying, recording or by any information storage and retrieval system, without permission in writing from Briggs & Stratton Corporation.

28F700 to 28F799



★ **REQUIRES SPECIAL TOOLS TO INSTALL. SEE REPAIR INSTRUCTION MANUAL.**

1019 LABEL KIT

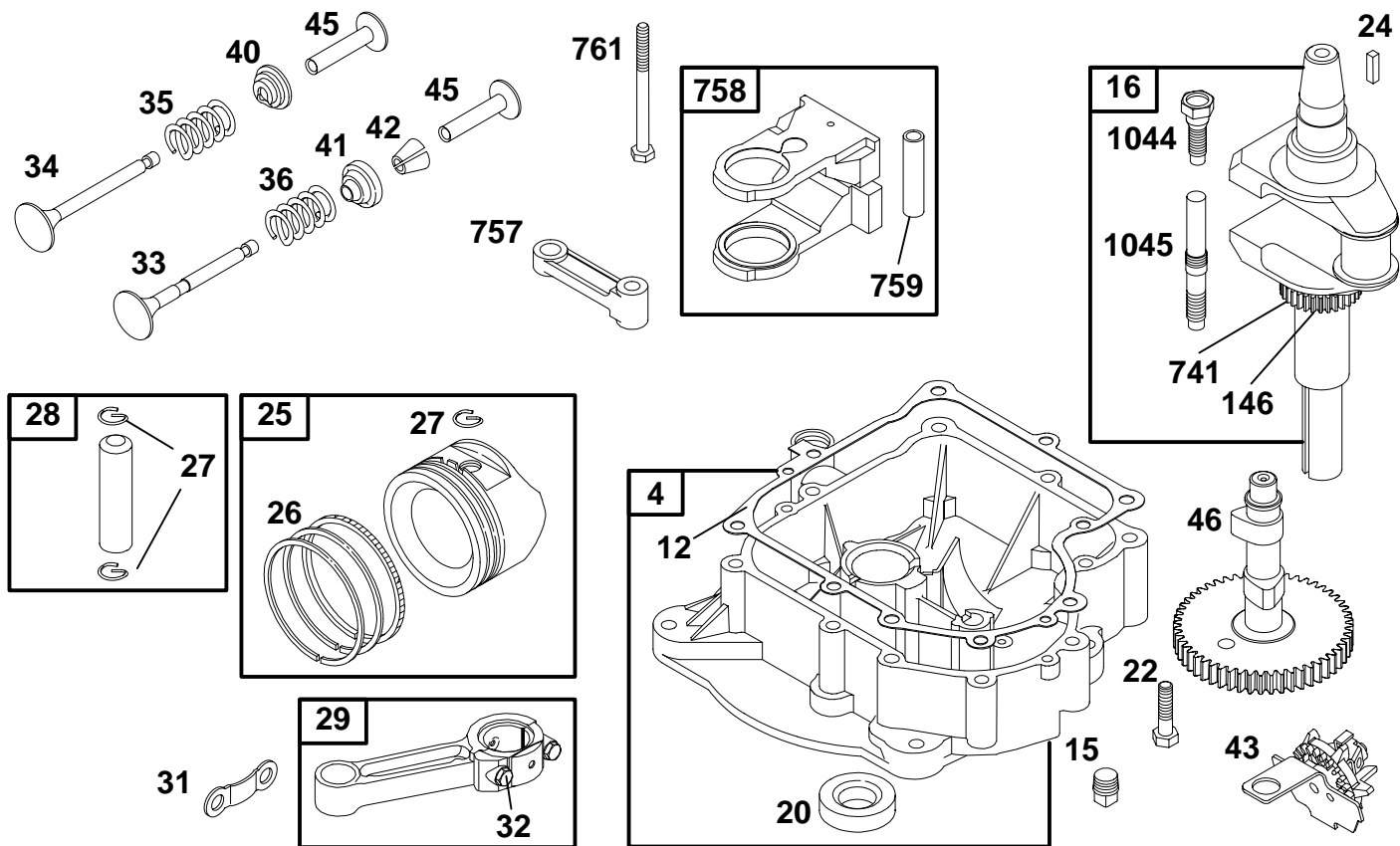
1058 OWNER'S MANUAL

REF. NO.	PART NO.	DESCRIPTION	REF. NO.	PART NO.	DESCRIPTION	REF. NO.	PART NO.	DESCRIPTION
1	496413	Cylinder Assembly	306	224545	Shield-Cylinder	870	262924	Seat-Valve (Exhaust)
2	399265	Bushing	307	94930	Screw-Hex.	871	261961	Bushing-Guide (Exhaust)
3	★391086	Seal-Oil	308	491490	Cover-Cylinder			Note
5	494240	Head-Cylinder	337	802592	Plug-Spark			231218 Bushing-Guide (Intake-Brass)
7	∅★271866	Gasket-Cylinder Head	383	89838	Wrench-Spark Plug	1019	491255	Label Kit
8	495735	Breather Assembly	552	491986	Bushing-Gov. Crank	1058	272697	Owner's Manual
9	∅★27803	Gasket-Breather	635	66538	Boot-Spark Plug			
10	94719	Screw-Hex.	664	94881	Screw-Hex.			
11	280100	Tube-Breather	668	231109	Spacer			
13	94622	Screw-Hex.	869	261463	Seat-Valve (Intake)			
87	★491323	Seal-Governor Shaft						
305	94881	Screw-Hex.						

★ Included in Gasket Set-Part Number 494241.
● Included in Carburetor Kit-Part No. 499220.

◆ Included in Carburetor Gasket Set-Part No. 494385.
∅ Included in Valve Overhaul Gasket Set-Part No. 498539.

28F700 to 28F799

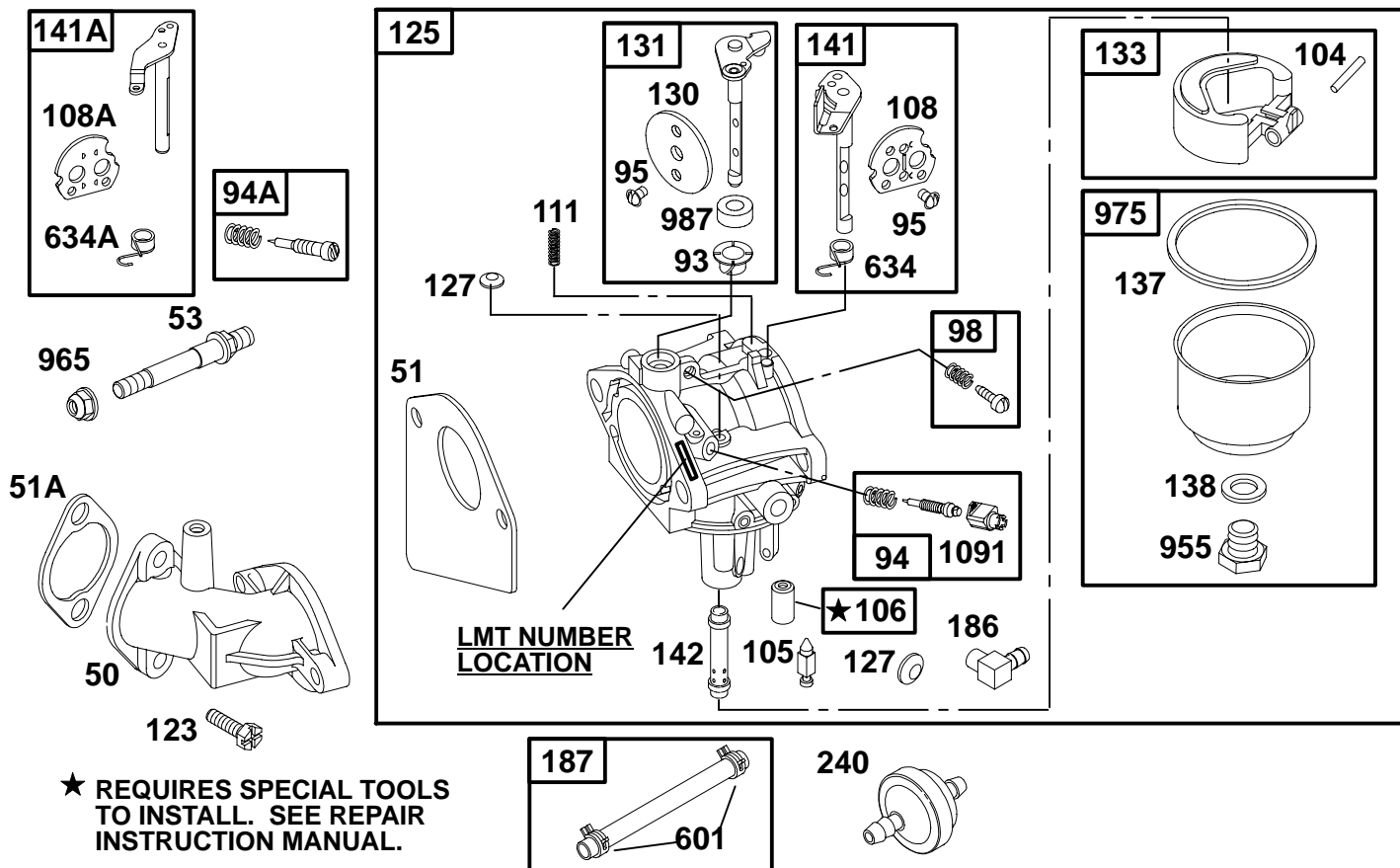


REF. NO.	PART NO.	DESCRIPTION	REF. NO.	PART NO.	DESCRIPTION	REF. NO.	PART NO.	DESCRIPTION
4	494238	Sump—Engine	26	391780	Ring Set (Standard)	33	262246	Valve—Exhaust
12	★271916	Gasket—Crankcase (.015" Thick, Std.)		392331	Ring Set (Standard Chrome)	34	262247	Valve—Intake
	★271997	Gasket—Crankcase (.005" Thick)		391781	Ring Set (.010" O.S.)	35	65906	Spring—Valve (Intake)
	★271996	Gasket—Crankcase (.009" Thick)		391782	Ring Set (.020" O.S.)	36	26828	Spring—Valve (Exhaust)
15	94880	Plug—Oil Drain		391783	Ring Set (.030" O.S.)	40	221596	Retainer—Valve
16	495162	Crankshaft	27	263129	Lock—Piston Pin	41	292260	Retainer—Valve
20	★291675	Seal—Oil	28	299691	Pin—Piston (Standard)	42	494553	Keeper—Valve
22	94624	Screw—Hex.		391286	Pin—Piston (.005" O.S.)	43	490815	Governor—Oil Slinger
24	222698	Key—Flywheel		490469	Rod—Connecting (.020" Undersize)	45	262248	Tappet—Valve
25	394661	Piston Assembly (Standard)	29	490348	Rod—Connecting (Standard)	46	212897	Gear—Cam
	394662	Piston Assy. (.010" O.S.)		222299	Lock—Rod Screw	146	94196	Key—Timing
	394663	Piston Assy. (.020" O.S.)	31	222299	Lock—Rod Screw	741	262932	Gear—Timing
	394664	Piston Assy. (.030" O.S.)	32	94671	Screw—Conn. Rod	757	213998	Link—Counterweight
						758	399891	Counterweight
						759	230787	Pin—Counterweight
						761	94593	Screw—Hex.
						1044	94673	Screw—Shoulder
						1045	231828	Extension—Crankshaft

★ Included in Gasket Set—Part Number 494241.
 ● Included in Carburetor Kit—Part No. 499220.

◆ Included in Carburetor Gasket Set—Part No. 494385.
 ∅ Included in Valve Overhaul Gasket Set—Part No. 498539.

28F700 to 28F799



★ REQUIRES SPECIAL TOOLS TO INSTALL. SEE REPAIR INSTRUCTION MANUAL.

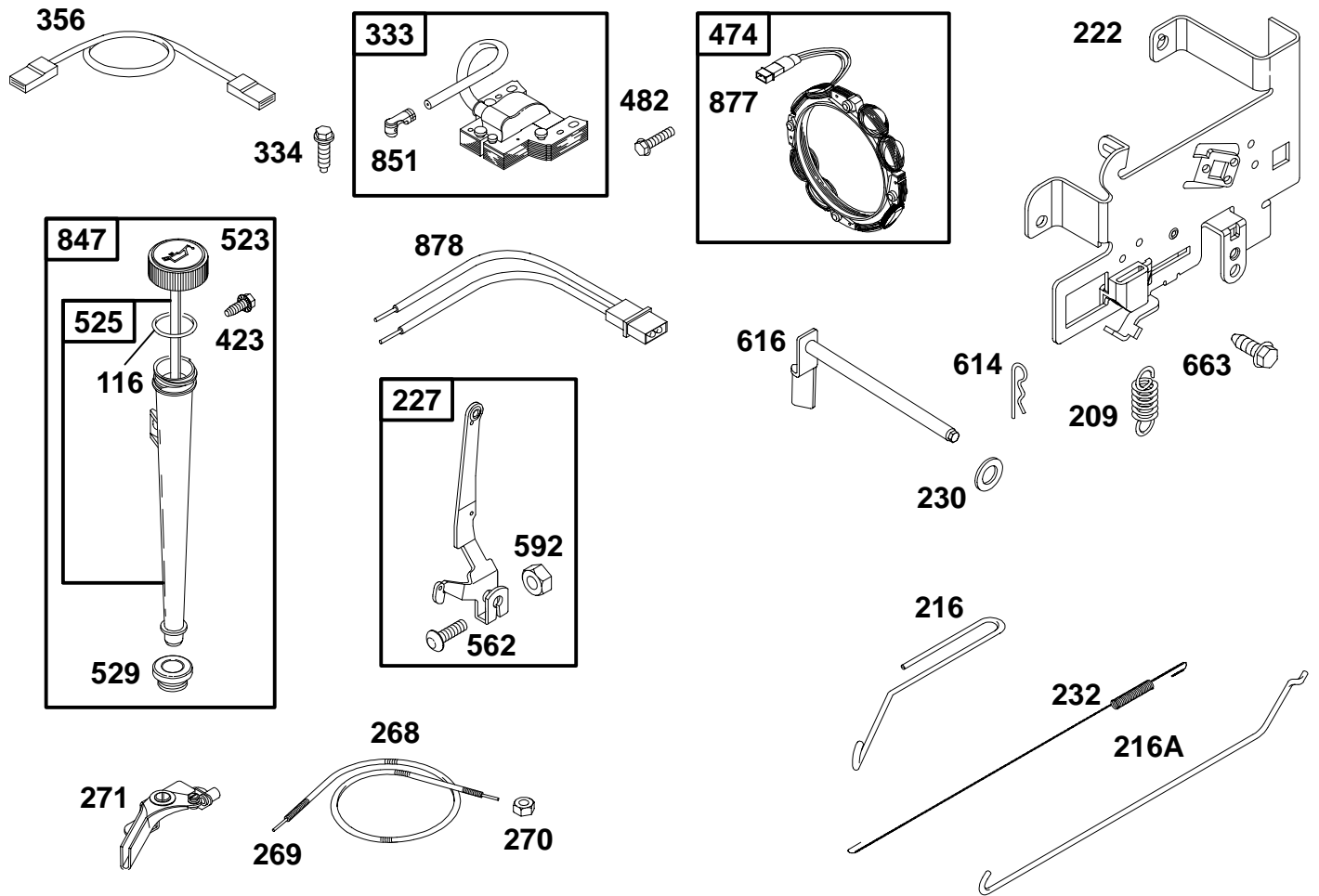
THIS CARBURETOR SERVICES BOTH CHOKE-A-MATIC AND MANUAL CHOKE SYSTEMS

REF. NO.	PART NO.	DESCRIPTION	REF. NO.	PART NO.	DESCRIPTION	REF. NO.	PART NO.	DESCRIPTION
50	213819	Manifold-Intake	131	494379	Shaft-Throttle	186	493496	Connector-Hose
51	◆272465	Gasket-Carb. Elbow	133	494381	Float-Carburetor	187	296004	Line-Fuel (Cut to Required Length)
51A	∅272554	Gasket-Intake	137	◆281165	Gasket-Float Bowl	240	298090	Filter-Fuel
53	94637	Stud-Carb. Mtg.	138	◆281164	Washer	601	93053	Clamp-Hose
93	281346	Bushing-Throttle Shaft	141	495097	Shaft-Choke (Manual Choke)	634	◆494453	Seal-Spring Assembly
94	498030	Valve-Idle Adjustment	141A	495931	Shaft-Choke (Choke-A-Matic)	634A	◆494455	Seal-Spring Assembly
94A	494383	Valve-Idle Adjustment	142	◆497566	Nozzle-Carburetor (Standard)	955	94642	Plug
95	◆94098	Screw-Rounded Head		◆497567	Nozzle-Carb. (High Altitude) (LMT 157)	965	94010	Nut-Hex.
98	495800	Screw-Idle Speed		◆497736	Nozzle-Carb. (Standard) (LMT 96)	975	494378	Bowl-Float
104	◆231789	Pin-Float Hinge		499040	Nozzle-Carb. (High Altitude) (LMT 96)	987	◆281166	Seal-Throttle Shaft
105	◆231855	Valve-Needle				1091	281364	Cap-Limiter
106	◆231854	Seat-Inlet						
108	224558	Valve-Choke						
108A	224540	Valve-Choke						
111	262715	Spring-Friction						
123	94616	Screw-Torx®Hex.						
125	498027	Carburetor						
127	•	Plug-Welch (Sold in Kit Only)						
130	224539	Valve-Throttle						

★ Included in Gasket Set-Part Number 494241.
 • Included in Carburetor Kit-Part No. 499220.

◆ Included in Carburetor Gasket Set-Part No. 494385.
 ∅ Included in Valve Overhaul Gasket Set-Part No. 498539.

28F700 to 28F799

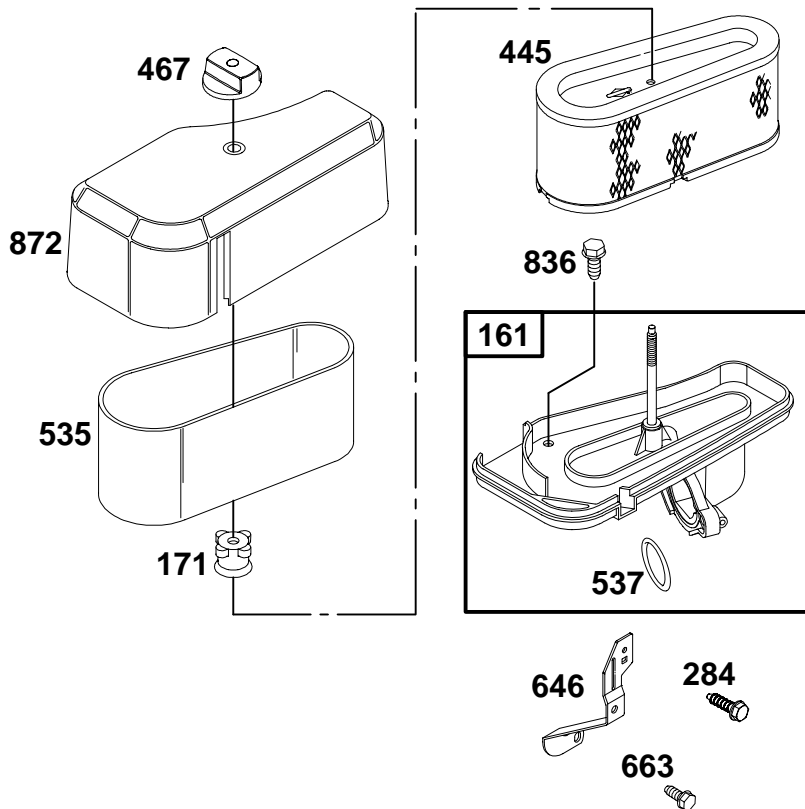


REF. NO.	PART NO.	DESCRIPTION	REF. NO.	PART NO.	DESCRIPTION	REF. NO.	PART NO.	DESCRIPTION
116	★270920	Seal-O-Ring	270	63426	Locknut-Casing	529	★281370	Seal-Fill Tube
209	260871	Spring-Governor	271	290568	Lever-Control	562	94852	Bolt-Governor Lever
216	262766	Link-Choke	333	492341	Armature-Magneto	592	231978	Nut-Hex.
216A	262767	Link-Choke	334	94731	Screw-Hex.	614	93306	Pin-Cotter
222	495611	Bracket-Control	356	494328	Wire-Stop	616	495157	Crank-Governor
227	493935	Lever-Governor	423	94903	Screw-Shoulder	663	94929	Screw-Hex.
230	94927	Washer	474	393474	Alternator (Dual Circuit)	847	496415	Dipstick-Tube Assembly
232	262785	Spring-Link	482	93621	Screw-Hex.	851	493880	Terminal-Cable
268	65616	Casing-Wire (72" Long) (Cut to Required Length)	523	495230	Dipstick	877	393456	Wire-Alternator
269	26633	Wire-Control (78" Long) (Cut to Required Length)	525	496113	Tube-Oil Fill	878	399916	Harness-Alternator

★ Included in Gasket Set-Part Number 494241.
● Included in Carburetor Kit-Part No. 499220.

◆ Included in Carburetor Gasket Set-Part No. 494385.
⊘ Included in Valve Overhaul Gasket Set-Part No. 498539.

28F700 to 28F799

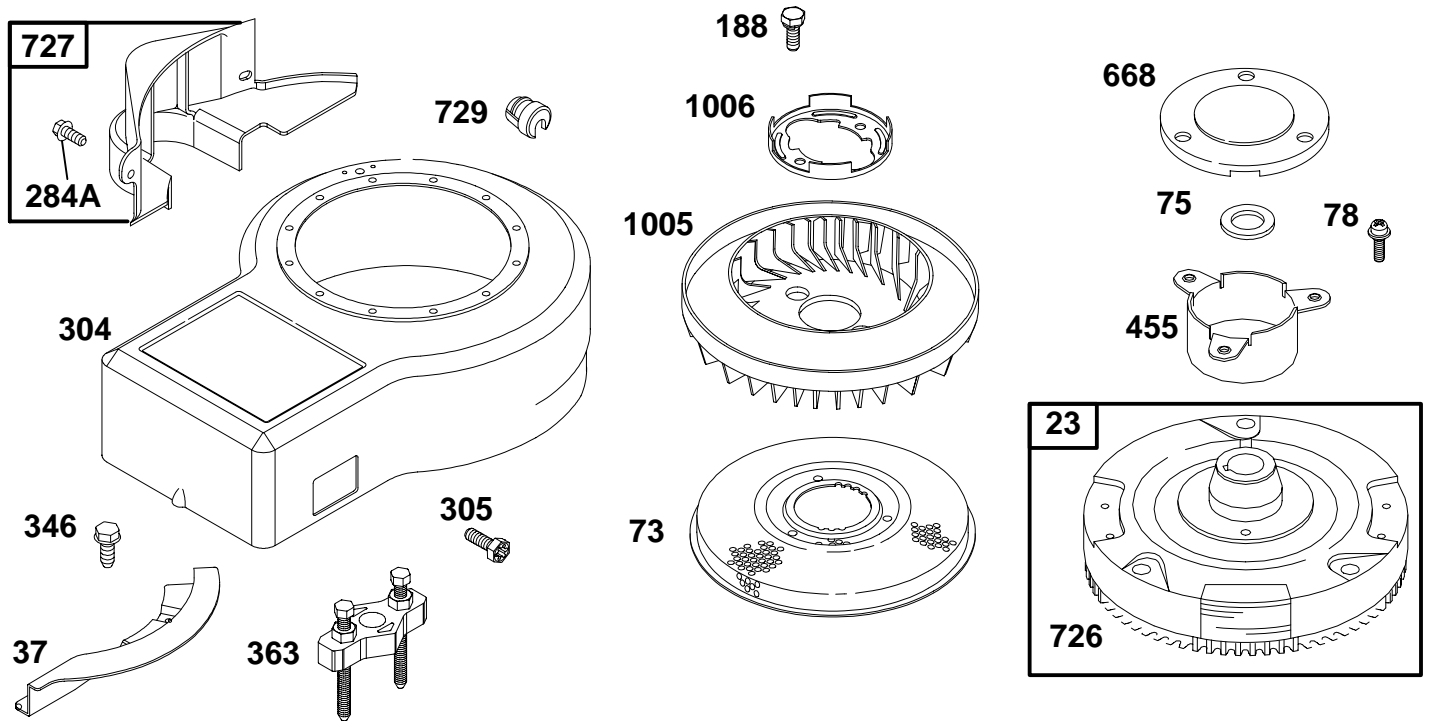


REF. NO.	PART NO.	DESCRIPTION	REF. NO.	PART NO.	DESCRIPTION	REF. NO.	PART NO.	DESCRIPTION
161	494237	Base-Air Cleaner	467	493903	Knob	663	94929	Screw-Hex.
171	281051	Nut	535	272403	Filter-Air	836	94513	Screw-Hex.
284	94704	Screw-Hex.	537	∅*281106	Gasket-Air Cleaner	872	281104	Cover-Air Cleaner
445	496894	Filter-Air	646	224546	Brace			

★ Included in Gasket Set-Part Number 494241.
 ● Included in Carburetor Kit-Part No. 499220.

◆ Included in Carburetor Gasket Set-Part No. 494385.
 ∅ Included in Valve Overhaul Gasket Set-Part No. 498539.

28F700 to 28F799

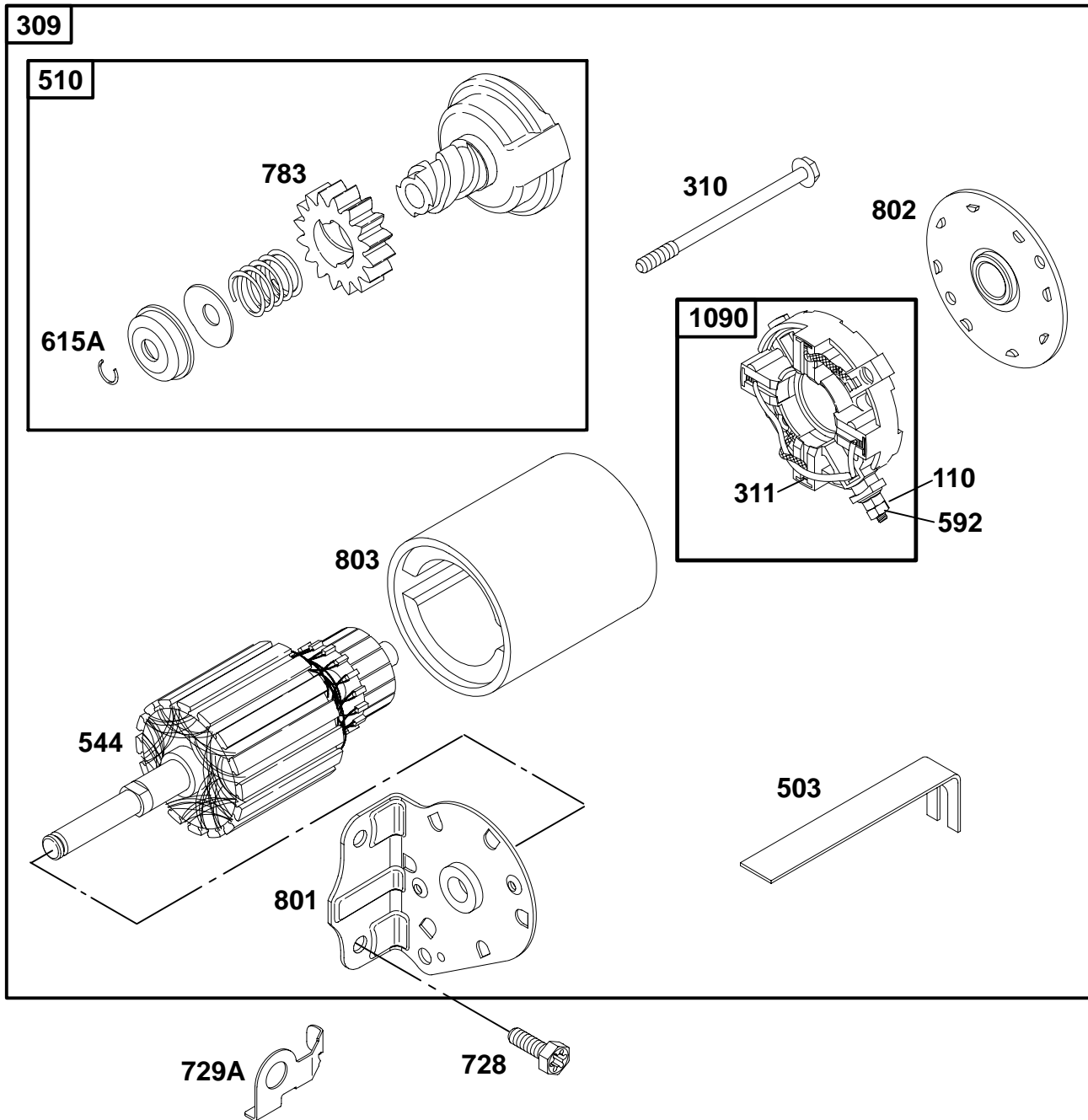


REF. NO.	PART NO.	DESCRIPTION	REF. NO.	PART NO.	DESCRIPTION	REF. NO.	PART NO.	DESCRIPTION
23	492326	Flywheel	305	94905	Screw-Torx®Hex.	727	490324	Cover-Starter Drive
37	224502	Guard-Flywheel	346	94896	Screw-Hex.	729	281159	Clip-Wire
73	224517	Screen-Rotating	363	19203	Flywheel Puller	1005	280687	Fan-Flywheel
75	225136	Washer-Flywheel	455	222561	Cup-Flywheel	1006	224413	Retainer-Fan
78	94626	Screw-Phillips	668	280848	Spacer			
188	94627	Screw-Hex.	726	392134	Gear-Ring (Includes Mounting Hardware)			
284A	94073	Screw-Shoulder						
304	496318	Housing-Blower (Red)						

★ Included in Gasket Set-Part Number 494241.
● Included in Carburetor Kit-Part No. 499220.

◆ Included in Carburetor Gasket Set-Part No. 494385.
∅ Included in Valve Overhaul Gasket Set-Part No. 498539.

28F700 to 28F799

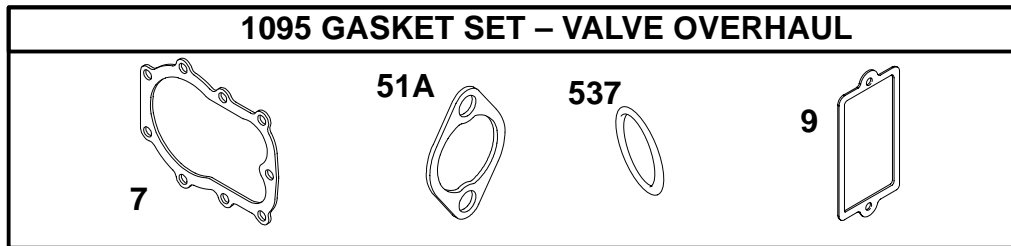
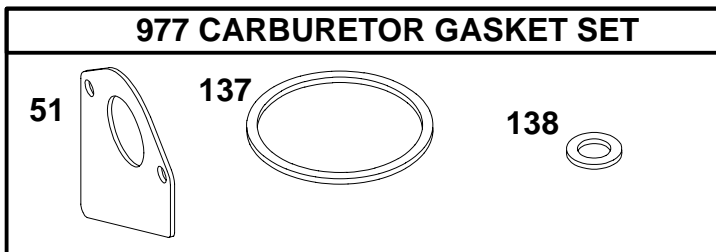
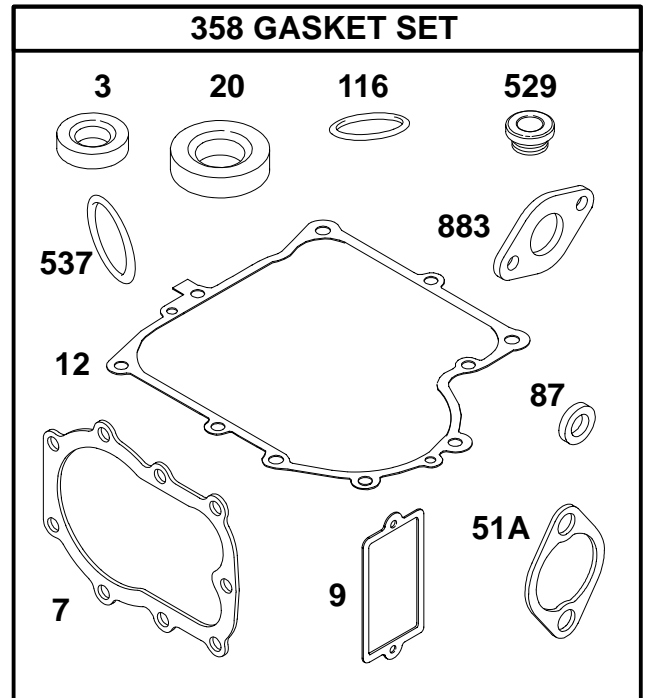
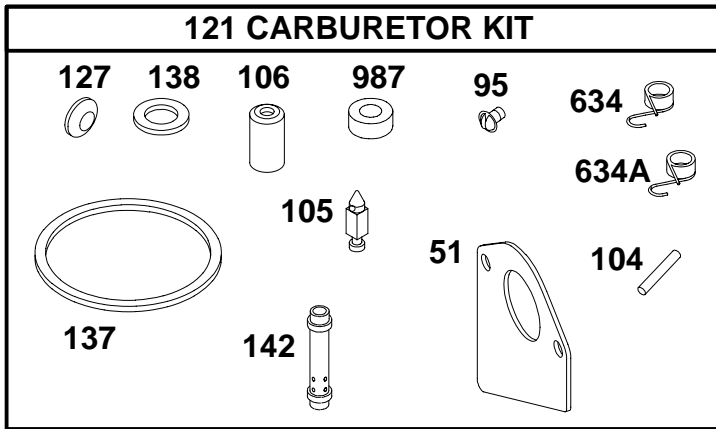


REF. NO.	PART NO.	DESCRIPTION	REF. NO.	PART NO.	DESCRIPTION	REF. NO.	PART NO.	DESCRIPTION
110	225137	Washer	544	497603	Armature-Starter	783	280104	Gear-Starter
309	497595	Motor-Starter	592	92278	Nut-Hex.	801	394856	Cap-Drive
310	94003	Screw-Hex.	615A	263080	Retainer	802	497607	Cap-End
311	497608	Brush Set	728	94773	Screw-Torx® Hex.	803	497604	Housing-Starter
503	806000	Strap-Starter	729A	225170	Clip-Wire	1090	497605	Retainer-Brush
510	497606	Drive-Starter						

★ Included in Gasket Set-Part Number 494241.
 ● Included in Carburetor Kit-Part No. 499220.

◆ Included in Carburetor Gasket Set-Part No. 494385.
 ∅ Included in Valve Overhaul Gasket Set-Part No. 498539.

28F700 to 28F799



REF. NO.	PART NO.	DESCRIPTION	REF. NO.	PART NO.	DESCRIPTION	REF. NO.	PART NO.	DESCRIPTION
3	★391086	Seal-Oil	95	●94098	Screw-Slotted			(Standard)
7	∅★271866	Gasket-Cylinder Head	104	●231789	Pin-Float Hinge			(LMT 157)
9	∅★27803	Gasket-Breather	105	●231855	Valve-Needle			●497736 Nozzle-Carb.
12	★271916	Gasket-Crankcase (.015" Thick, Std.)	106	●231854	Seat-Inlet			(Standard)
		★271997 Gasket-Crankcase (.005" Thick)	116	★270920	Seal-O-Ring			(LMT 96)
		★271996 Gasket-Crankcase (.009" Thick)	121	499220	Carburetor Kit (LMT 96)		358	494241 Gasket Set
20	★291675	Seal-Oil			Note		529	★281370 Seal-Fill Tube
51	●◆272465	Gasket-Carburetor Elbow			497535 Carburetor Kit (LMT 5, 77)		537	∅★281106 Gasket-Air Cleaner
51A	∅★272554	Gasket-Intake	127	●	499231 Carburetor Kit (LMT 157)		634	●494453 Seal-Spring Assembly (Manual Choke)
87	★491323	Seal-Governor Shaft			Plug-Welch (Sold in Kit Only)		634A	●494455 Seal-Spring Assembly (Choke-a-Matic)
			137	●◆281165	Gasket-Float Bowl		977	494385 Gasket Set-Carburetor
			138	●◆281164	Washer		987	●281166 Seal-Throttle Shaft
			142	●497566	Nozzle-Carburetor		1095	498539 Gasket Set-Valve Overhaul

★ Included in Gasket Set-Part Number 494241.
● Included in Carburetor Kit-Part No. 499220.

◆ Included in Carburetor Gasket Set-Part No. 494385.
∅ Included in Valve Overhaul Gasket Set-Part No. 498539.