



287700

Illustrated Parts List

Model Series

287700

TYPE NUMBERS
0026 through 1290.

For Use On Engines Built Before Date Code – 02120200

TABLE OF CONTENTS

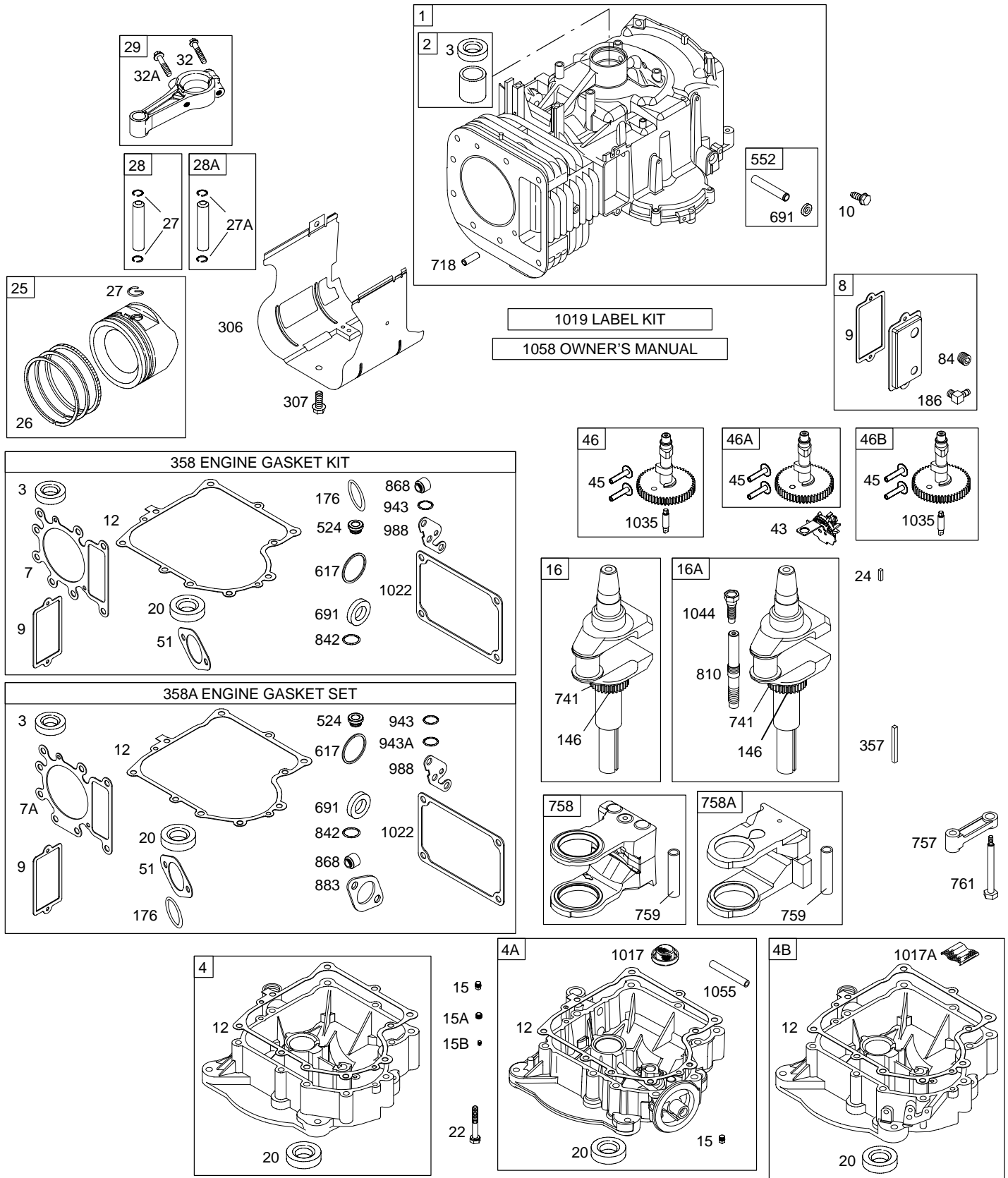
Air Cleaner	5
Alternator	9
Blower Housing/Shrouds	7
Cams	2
Carburetor	4
Controls	6
Crankcase Cover/Sump	2
Crankshaft	2
Cylinder	2
Electric Starter	10
Flywheel	8
Fuel Tank	6
Governor Spring	6
Head	3
Ignition	9
Kits/Gaskets–Carburetor	4
Kits/Gaskets–Engine	2
Kits/Gaskets–Valve	3
Muffler	5
Oil	3
Piston Group	2
Rewind	8
Valves	3

PRINTED IN U.S.A.

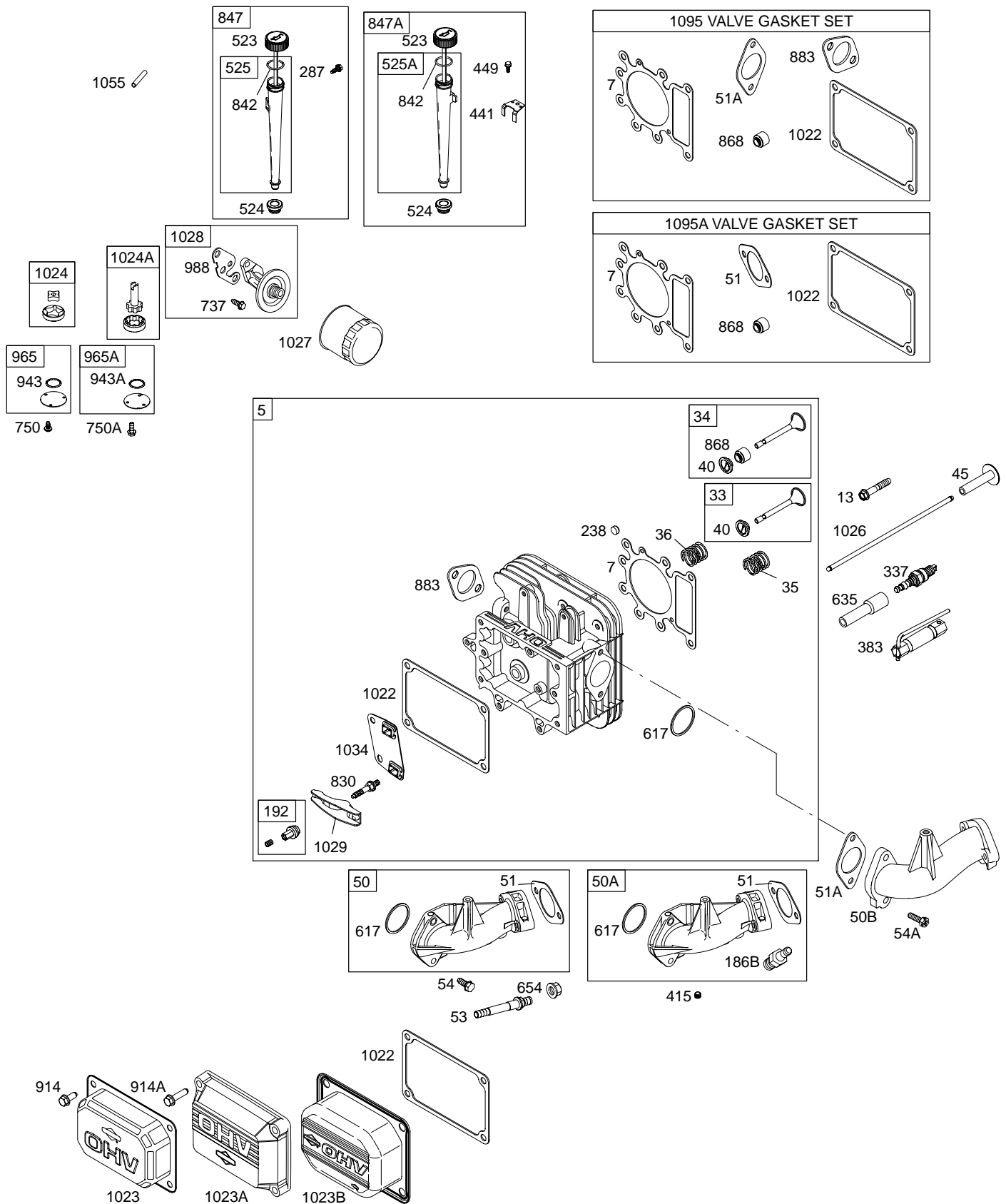


COPYRIGHT by BRIGGS & STRATTON CORPORATION
All rights reserved. No part of this material may be reproduced or transmitted, in any form or by any means, electronic or mechanical, including photocopying, recording or by any information storage and retrieval system, without permission in writing from Briggs & Stratton Corporation.

287700

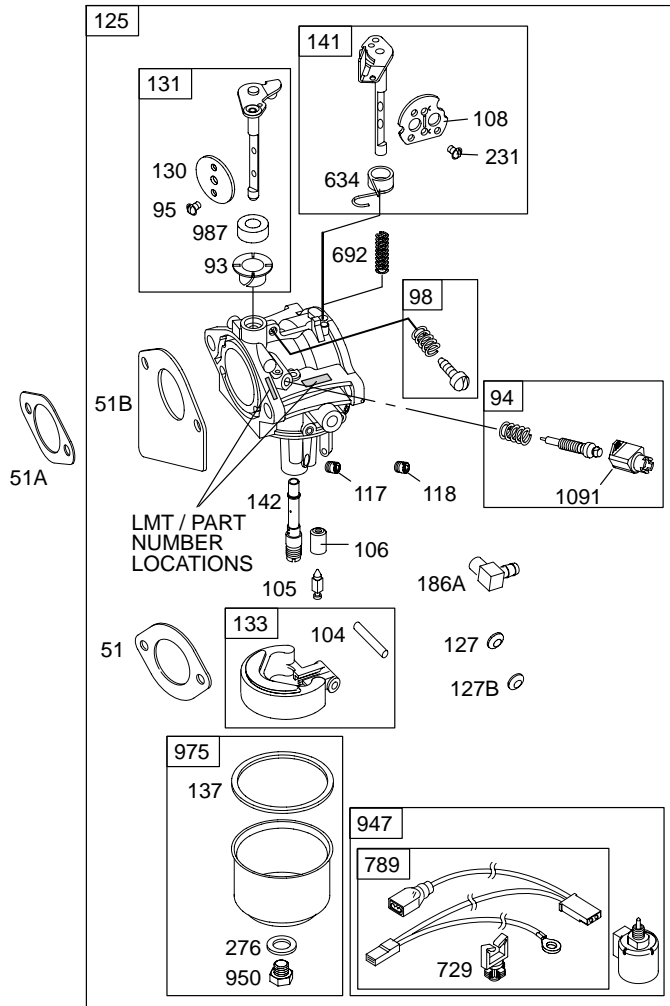


Illustrations cover a range of engines. Parts shown without corresponding text may not be used on your specific engine.
2719-2 Assemblies include all parts shown in frames. 6C-12/2002

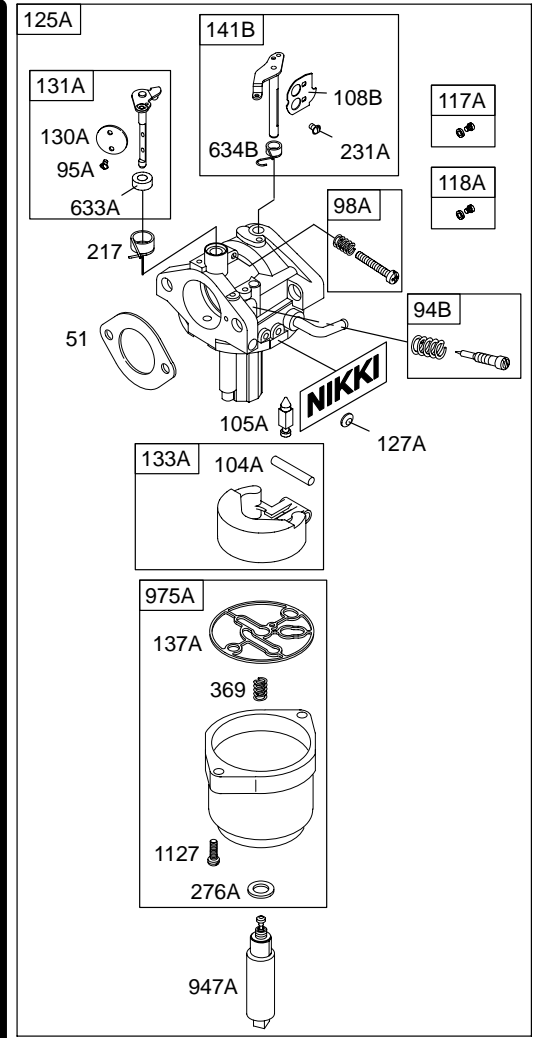


Illustrations cover a range of engines. Parts shown without corresponding text may not be used on your specific engine.
 2719-3 Assemblies include all parts shown in frames. 6C-12/2002

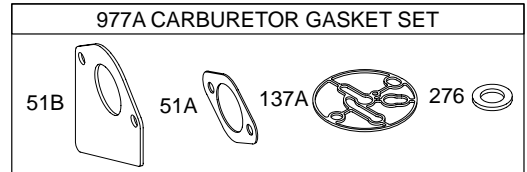
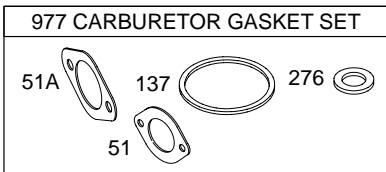
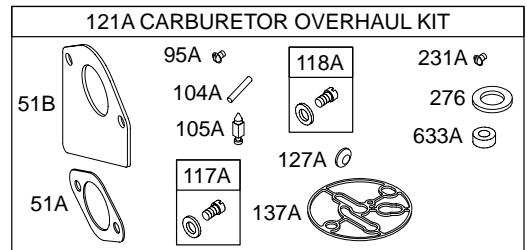
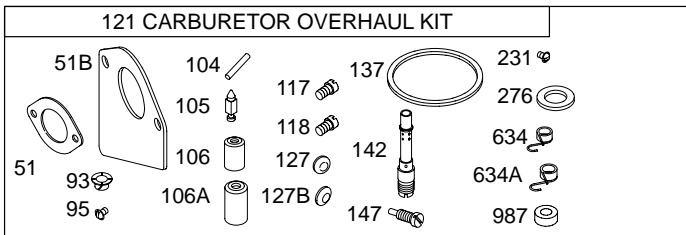
287700



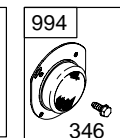
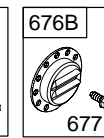
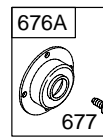
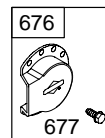
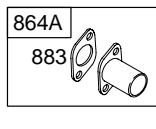
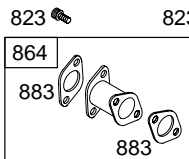
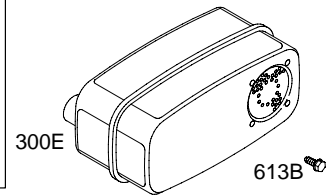
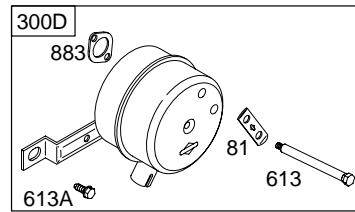
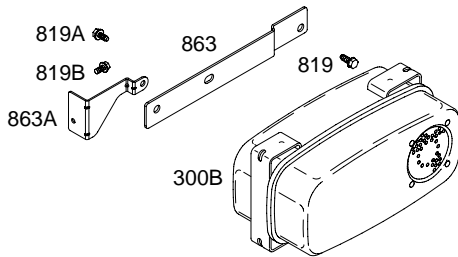
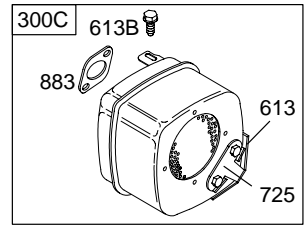
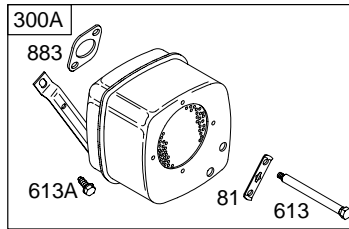
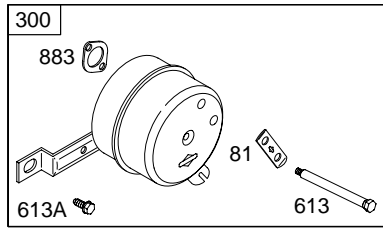
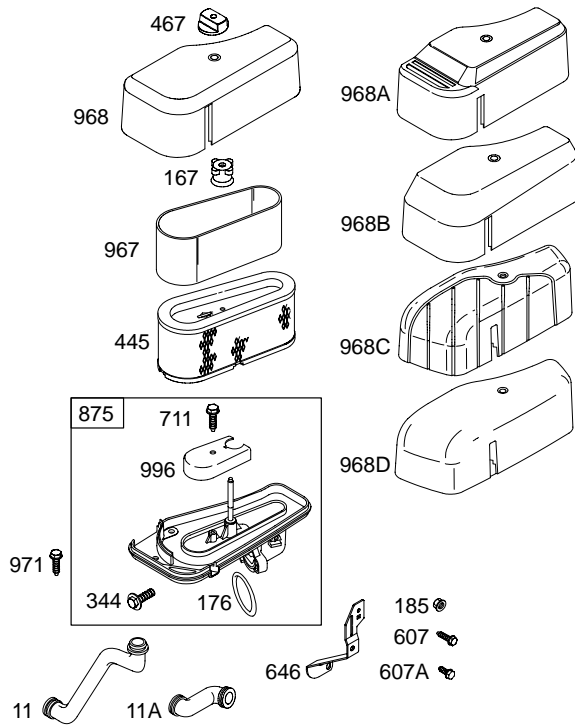
WALBRO



NIKKI

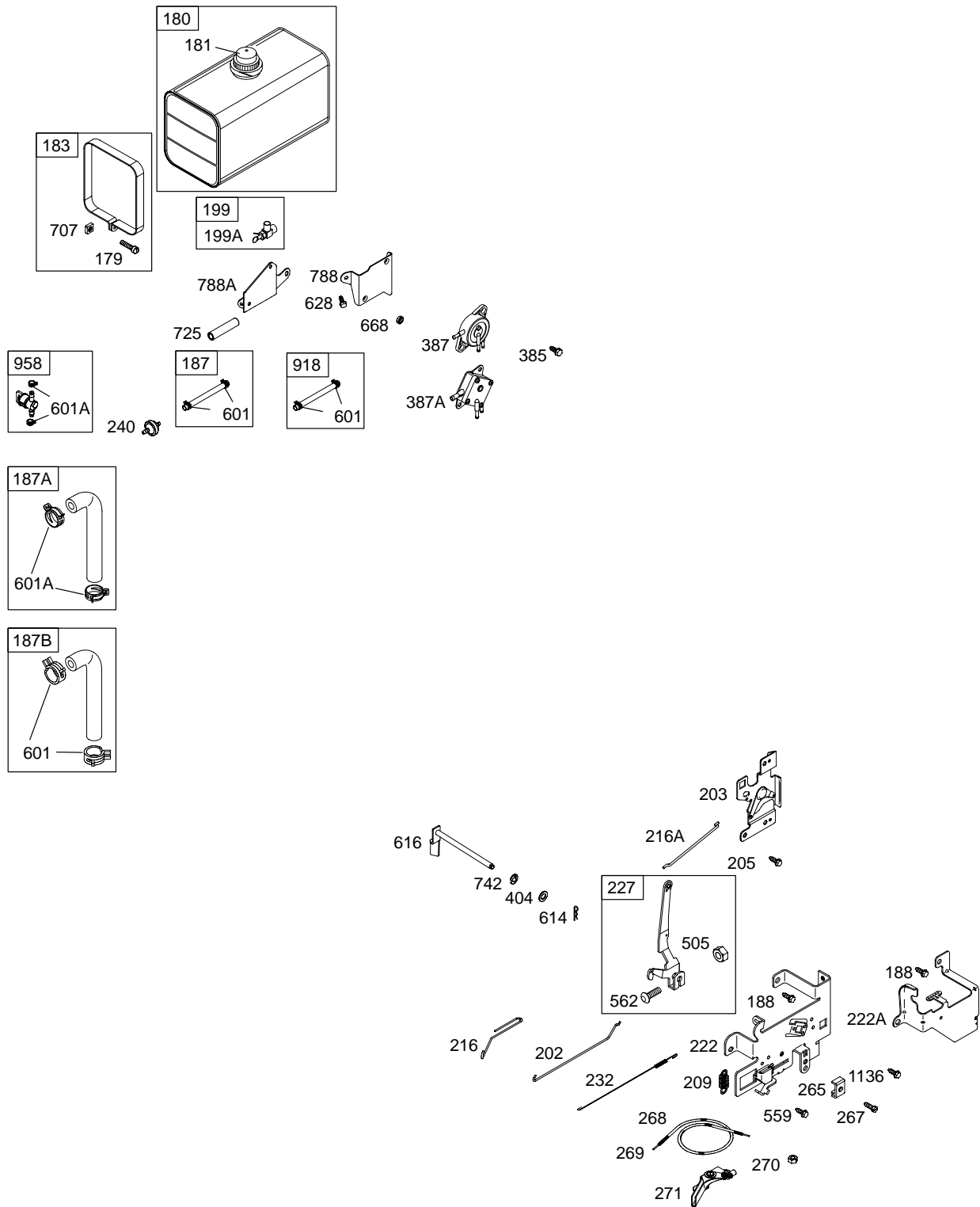


Illustrations cover a range of engines. Parts shown without corresponding text may not be used on your specific engine.
 2719-4 Assemblies include all parts shown in frames. 6C-12/2002

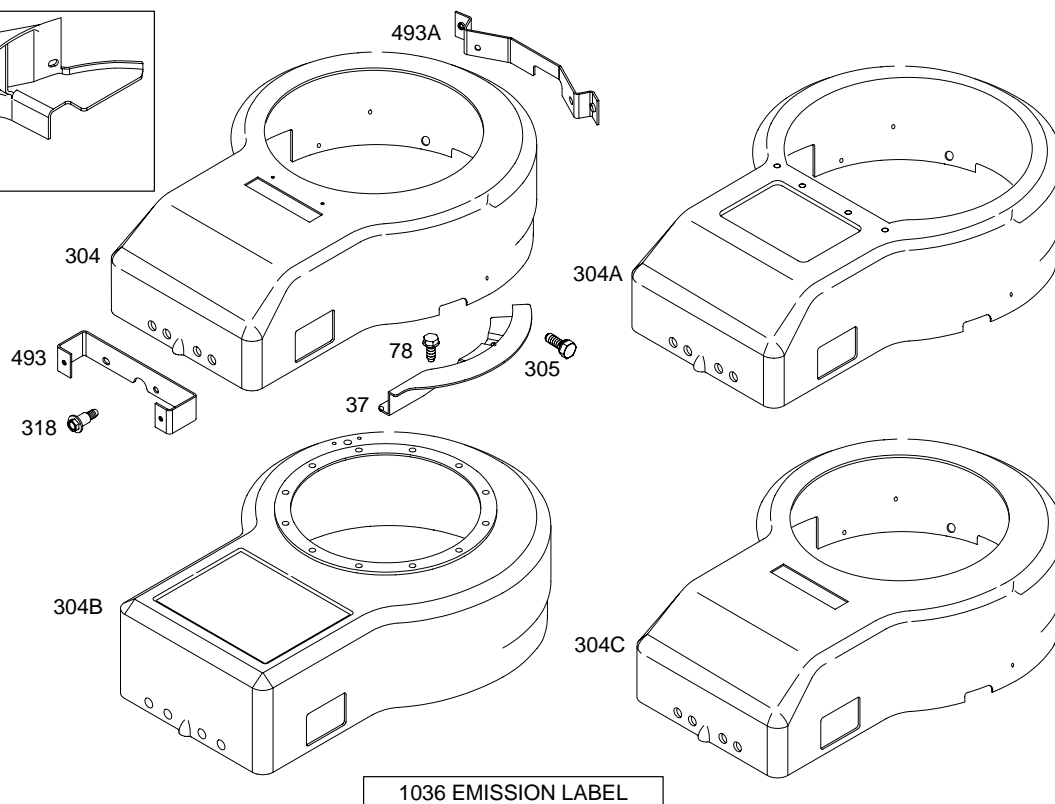
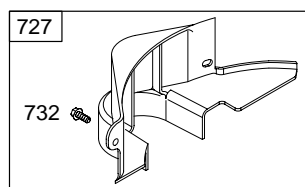
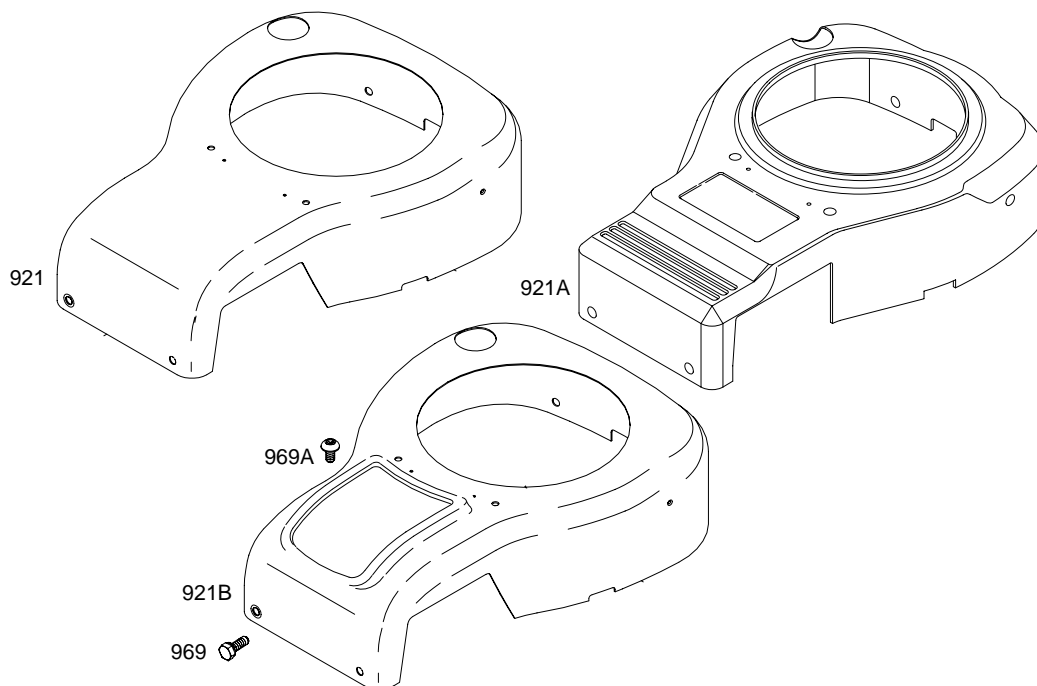


Illustrations cover a range of engines. Parts shown without corresponding text may not be used on your specific engine.
 2719-5 Assemblies include all parts shown in frames. 6C-12/2002

287700

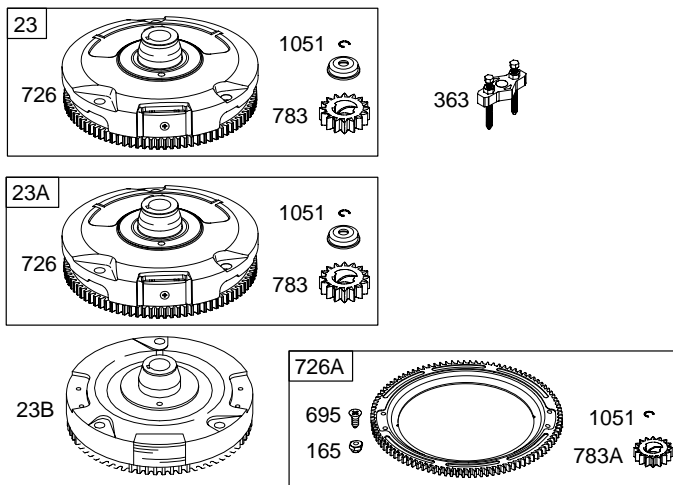
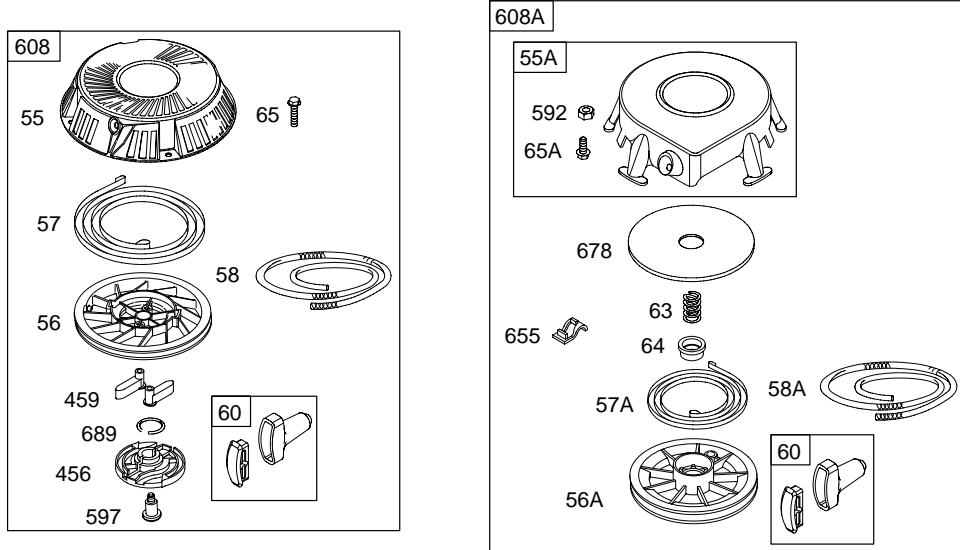
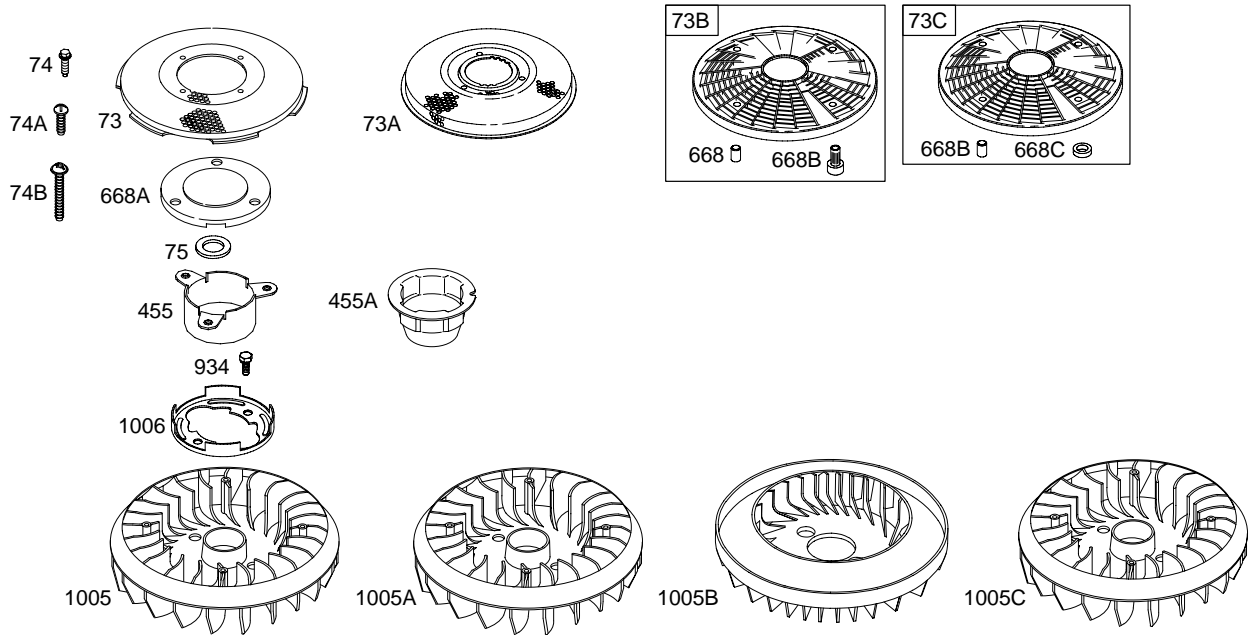


Illustrations cover a range of engines. Parts shown without corresponding text may not be used on your specific engine.
 2719-6 Assemblies include all parts shown in frames. 6C-12/2002

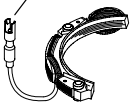





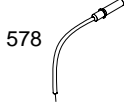

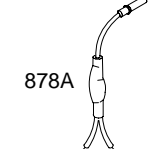
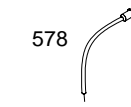
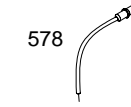
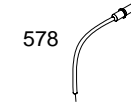



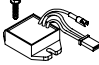






Illustrations cover a range of engines. Parts shown without corresponding text may not be used on your specific engine.
2719-7 Assemblies include all parts shown in frames. 6C-12/2002

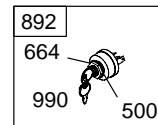
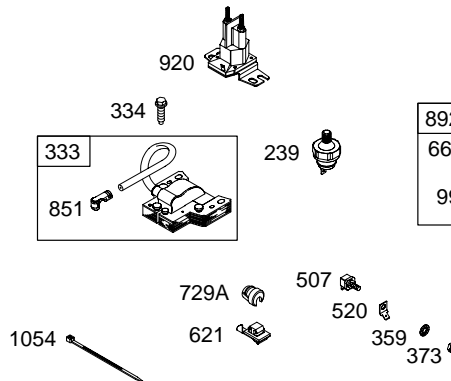
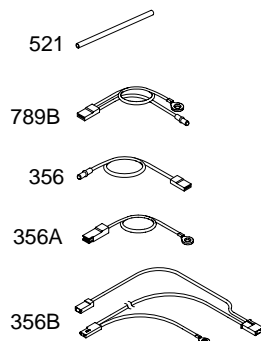
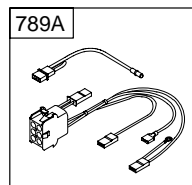
287700



Illustrations cover a range of engines. Parts shown without corresponding text may not be used on your specific engine.
2719-8 Assemblies include all parts shown in frames. 6C-12/2002

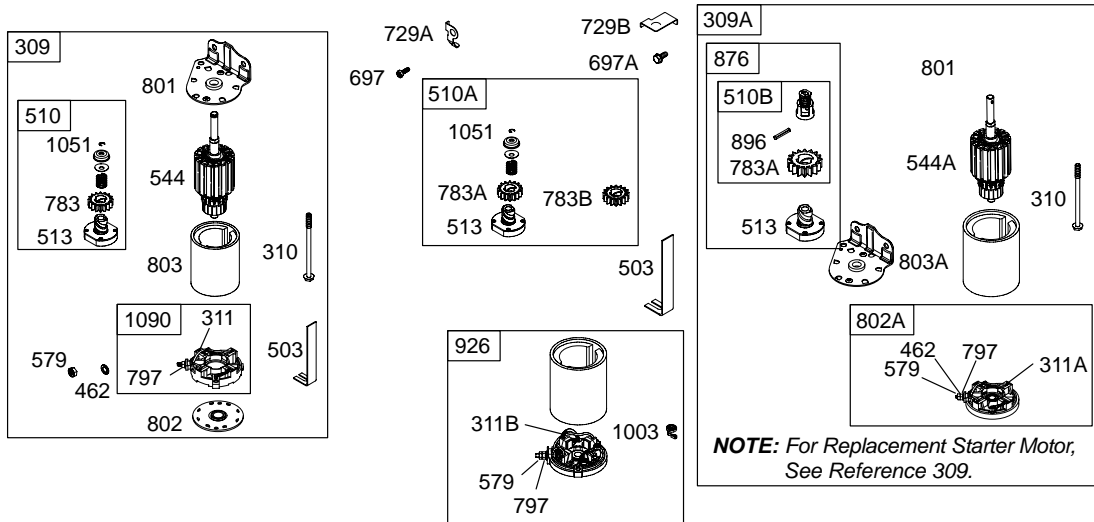
DC ONLY	DUAL CIRCUIT	TRI CIRCUIT	10 AMP	16 AMP	9AMP
474 877A 	474A 877 	474B 877B 	474C 877C 	474C 877C 	474B 877B 
578 	878 	878A 	578 	578 	578 
493B  493C  813 			526A  501 		526  501A 

NOTE: All Stators Use No. 1119 Mounting Screw. 



Illustrations cover a range of engines. Parts shown without corresponding text may not be used on your specific engine.
 2719-9 Assemblies include all parts shown in frames. 6C-12/2002

287700



Illustrations cover a range of engines. Parts shown without corresponding text may not be used on your specific engine.
 2719-10 Assemblies include all parts shown in frames. 6C-12/2002

287700

REF. NO.	PART NO.	DESCRIPTION	REF. NO.	PART NO.	DESCRIPTION	REF. NO.	PART NO.	DESCRIPTION
1	496412	Cylinder Assembly (Used After Code Date 93072900). Note ——— 495867 Cylinder Assembly (Used Before Code Date 93073000).	13	690360	Screw (Cylinder Head)	24	222698	Key-Flywheel
2	399265	Kit-Bushing/Seal (Magneto Side)	15	690946	Plug-Oil Drain Note ——— 690283 Plug-Oil Drain (Used After Code Date 98063000). Used on Type No(s). 1256, 1276, 1278.	25	696397	Piston Assembly (Standard) (Used After Code Date 01041800).
3	★391086	Seal-Oil (Magneto Side)	15A	691680	Plug-Oil Drain			696398 Piston Assembly (.010" Oversize) (Used After Code Date 01041800).
4	494238	Sump-Engine	16	690136	Crankshaft (Used After Code Date 98063000). Note ——— 694187 Crankshaft Used on Type No(s). 1275.			696399 Piston Assembly (.020" Oversize) (Used After Code Date 01041800).
4A	693582	Sump-Engine (Used After Code Date 98063000). Used on Type No(s). 1256, 1276, 1278.	16A	693944	Crankshaft (Used After Code Date 95073100 and Before Code Date 98070100). Note ——— 693653 Crankshaft (Includes Ref. Numbers 757, 758, 761) (Used Before Code Date 95080100).			696400 Piston Assembly (.030" Oversize) (Used After Code Date 01041800). Note ——— 499284 Piston Assembly (Standard) (Used Before Code Date 01041900).
4B	496742	Sump-Engine (Used Before Code Date 98070100). Used on Type No(s). 0256, 0656, 1256.	20	★291675	Seal-Oil (PTO Side)			499288 Piston Assembly (.010" Oversize) (Used Before Code Date 01041900).
5	698148	Head-Cylinder (Used After Code Date 02051500). Note ——— 691165 Head-Cylinder (Used Before Code Date 02051600).	22	692125	Screw (Crankcase Cover/Sump)			499292 Piston Assembly (.020" Oversize) (Used Before Code Date 01041900).
7	Δ★273280	Gasket-Cylinder Head	23	693557	Flywheel (Steel Ring Gear) Note ——— 693556 Flywheel (Steel Ring Gear) Used on Type No(s). 0120, 0122, 0156, 0210, 0215, 0247, 0622, 1005, 1036, 1122, 1201, 1224, 1236, 1255, 1258, 1273, 1277, 1278, 1279.			499296 Piston Assembly (.030" Oversize) (Used Before Code Date 01041900).
8	696126	Breather Assembly						
9	★27803	Gasket-Breather						
10	691666	Screw (Breather Assembly)						
11	691328	Tube-Breather						
12	★692226	Gasket-Crankcase (.015" Thick, Standard) Note ——— ★692406 Gasket-Crankcase (.005" Thick) ★692405 Gasket-Crankcase (.009" Thick)						

★ Included in Engine Gasket Set-Ref. No.358.

● Included in Carburetor Overhaul Kit-Ref. No. 121.

◆ Included in Carburetor Gasket Set-Ref. No. 977.

Δ Included in Valve Gasket Set-Ref. No 1095.

Illustrations cover a range of engines. Parts shown without corresponding text may not be used on your specific engine.

2719-11

Assemblies include all parts shown in frames.

6C-12/2002

287700

REF. NO.	PART NO.	DESCRIPTION	REF. NO.	PART NO.	DESCRIPTION	REF. NO.	PART NO.	DESCRIPTION
26	696403	Ring Set (Standard) (Used After Code Date 01041800). 696404 Ring Set (.010" Oversize) (Used After Code Date 01041800). 696405 Ring Set (.020" Oversize) (Used After Code Date 01041800). 696406 Ring Set (.030" Oversize) (Used After Code Date 01041800). ———— Note ——— 495854 Ring Set (Standard) (Used Before Code Date 01041900). 495852 Ring Set (.010" Oversize) (Used Before Code Date 01041900). 495851 Ring Set (.020" Oversize) (Used Before Code Date 01041900). 495855 Ring Set (.030" Oversize) (Used Before Code Date 01041900). (Standard)	28A	299691	Pin–Piston (Standard) (Used Before Code Date 95101600). ———— Note ——— 391286 Pin–Piston (.005" Oversize) (Used Before Code Date 95101600). 29 692419 Rod–Connecting (Standard) (Used After Code Date 98063000). ———— Note ——— 494504 Rod–Connecting (Standard) (Used Before Code Date 98070100). 692420 Rod–Connecting (.020" Undersize) (Used After Code Date 98063000). 495490 Rod–Connecting (.020" Undersize) (Used Before Code Date 98070100). 32 690356 Screw (Connecting Rod) (1 7/8" Long) ———— Note ——— 692852 Screw (Connecting Rod) (1 5/8" Long) (Used After Code Date 98063000.) Used on Type No(s). 1256, 1276, 1278.	34	695761	Valve–Intake (Used After Code Date 02080700). ———— Note ——— 495857 Valve–Intaket (Used Before Code Date 02080800). 35 691279 Spring–Valve (Intake) 36 691279 Spring–Valve (Exhaust) 37 690456 Guard–Flywheel 40 690964 Retainer–Valve (Used After Code Date 02080700). ———— Note ——— 691752 Valve–Intaket (Used Before Code Date 02080800). 42 499586 Keeper–Valve 43 691968 Slinger–Governor/Oil 45 690564 Tappet–Valve 46 698577 Camshaft (Used After Code Date 02111700). ———— Note ——— 692421 Camshaft (Used Before Code Date 02111800). 46A 693450 Camshaft (Used After Code Date 98063000). Used on Type No(s). 1256, 1276, 1278. 46B 692422 Camshaft (Used Before Code Date 98070100). Used on Type No(s). 0256, 0656, 1256.
27	691299	Lock–Piston Pin (Used After Code Date 95101500).						
27A	691792	Lock–Piston Pin (Used Before Code Date 95101600).						
28	498319	Pin–Piston (Standard) (Used After Code Date 95101500). 498320 Pin–Piston (.005" Oversize) (Used After Code Date 95101500).	32A	690348	Screw (Connecting Rod) (1 5/8" Long) 33 695760 Valve–Exhaust (Used After Code Date 02080700). ———— Note ——— 495856 Valve–Exhaust (Used Before Code Date 02080800).			

★ Included in Engine Gasket Set–Ref. No.358.

● Included in Carburetor Overhaul Kit–Ref. No. 121.

◆ Included in Carburetor Gasket Set–Ref. No. 977.

△ Included in Valve Gasket Set–Ref. No 1095.

Illustrations cover a range of engines. Parts shown without corresponding text may not be used on your specific engine.
2719–12 Assemblies include all parts shown in frames. 6C–12/2002

REF. NO.	PART NO.	DESCRIPTION	REF. NO.	PART NO.	DESCRIPTION	REF. NO.	PART NO.	DESCRIPTION		
50	690193	Manifold-Intake (Used After Code Date 97100500).	67	394897	Housing-Clutch	106	●690577	Seat-Inlet (Gravity Feed)		
50B	690383	Manifold-Intake (Used Before Code Date 97100600).	68	691604	Ball-Clutch			———— Note ————		
51★◆	692137	Gasket-Intake (Used After Code Date 97100500).	70	691949	Ratchet-Clutch			●691780 Seat-Inlet (Pump Feed)		
51A●△	272569	Gasket-Intake (Used Before Code Date 97100600).	71	691359	Cover-Ratchet	108	690464	Valve-Choke (Manual Choke)		
51B★◆	692284	Gasket-Intake (Used Before Code Date 97100600).	73	691191	Screen-Rotating	108A	692344	Valve-Choke (Choke A Matic)		
53	690227	Stud (Carburetor)	73A	690492	Screen-Rotating	108B	695419	Valve-Choke		
54	691148	Screw (Intake Manifold) (Used After Code Date 97100500).			———— Note ————	117	●692408	Jet-Main (Standard) (LMT 153, 154, 155, 156, 697480, 697481, 697482, 697483)		
54A	690953	Screw (Intake Manifold) (Used Before Code Date 97100600).	74	691627	Screw (Rotating Screen) (Hex Head)			———— Note ————		
55	695130	Housing-Rewind Starter	74A	691655	Screw (Rotating Screen) (Phillips Head)			232115 Det-Main (Standard) (LMT 149, 150)		
55A	393576	Housing-Rewind Starter	76	68238	Ratchet-Seal (Used Before Code Date 99102500).			●232061 Det-Main (Standard) (LMT 33, 34, 73, 74, 76, 121, 122, 130, 137,138)		
56	695129	Pulley-Starter	78	697561	Screw (Flywheel Guard)			694352 Jet-Main (Standard) Used on Type No(s). 1275.		
56A	295871	Pulley-Starter (Includes 63" Long Rope)	81	691178	Lock-Muffler Screw	117A	●695415	Jet-Main (Nikki)		
57	695131	Spring-Rewind Starter	84	690343	Plug-Breather			118	692411	Jet-Main (High Altitude) (LMT 153, 154, 155, 156, 697480, 697481, 697482, 697483)
57A	490179	Spring-Rewind Starter	93	●690602	Bushing-Throttle Shaft			———— Note ————		
58	695132	Rope-Starter	94	498030	Kit-Idle Mixture			232116 Jet-Main (High Altitude) (LMT 149, 150)		
58A	692188	Rope-Starter (63" Long)			———— Note ————			231850 Jet-Main (High Altitude) (LMT 33, 34, 73, 74, 76, 121, 122, 130, 137, 138)		
60	494212	Grip-Starter Rope	94A	495932	Kit-Idle Mixture (LMT 73, 74, 75, 76, 121, 122, 123, 124, 153, 154, 155, 156)	118A	●695416	Jet-Main (Nikki) (High Altitude)		
63	690547	Spring-Ratchet	94B	695425	Kit-Idle Mixture					
64	691920	Adapter-Ratchet Spring	95	●691636	Screw (Throttle Valve)					
65	695453	Screw (Rewind Starter)	95A	●690718	Screw (Throttle Valve)					
65A	690837	Screw (Rewind Starter)	98	495800	Kit-Idle Speed					
66	399671	Clutch-Starter (Used Before Code Date 99102500).	98A	695408	Kit-Idle Speed					
			104	●690525	Pin-Float Hinge					
			104A	694918	Pin-Float Hinge					
			105	●231855	Valve-Float Needle					
			105A	●694922	Valve-Float Needle					

★ Included in Engine Gasket Set-Ref. No.358.

● Included in Carburetor Overhaul Kit-Ref. No. 121.

◆ Included in Carburetor Gasket Set-Ref. No. 977.

△ Included in Valve Gasket Set-Ref. No 1095.

Illustrations cover a range of engines. Parts shown without corresponding text may not be used on your specific engine.

287700

REF. NO.	PART NO.	DESCRIPTION	REF. NO.	PART NO.	DESCRIPTION	REF. NO.	PART NO.	DESCRIPTION
121	690191	Kit-Carburetor Overhaul (Used After Code Date 97100500). Note 499233 Kit-Carburetor Overhaul (Used After Code Date 96072500 and Before Code Date 97100600). 498116 Kit-Carburetor Overhaul (Used Before Code Date 96072600).	130	691750	Valve-Throttle	187B	698600	Line-Fuel (Formed)(9" Long)
121A	695427	Kit-Carburetor Overhaul	130A	695418	Valve-Throttle	188	691693	Screw (Control Bracket)
125	698620	Carburetor (Gravity Feed) (Used After Code Date 02091500). Note 690194 Carburetor (Gravity Feed) (Used Before Code Date 02091600). 693194 Carburetor (Pump Feed) Used on Type No(s). 0121, 0230, 0231, 0246. 693773 Carburetor (Pump Feed) Used on Type No(s). 1275.	131	494379	Kit-Throttle Shaft	192	691986	Adjuster-Rocker Arm
125A		Carburetor (Nikki) (Service with Walbro Carburetor) (Used After Code Date 02091500). Note Carburetor (Service with Walbro Carburetor) (Used Before Code Date 02091600).	131A	695421	Kit-Throttle Shaft	202	691841	Link-Mechanical Governor
127	695005	Plug-Welch	133	494381	Float-Carburetor	209	692208	Spring-Governor Note 260902 Spring-Governor Used on Type No(s). 1261. 690480 Spring-Governor Used on Type No(s). 0102, 0121, 0235, 0247, 1230, 1231, 1235, 1240, 1250, 1257, 1275. 691795 Spring-Governor Used on Type No(s). 0117, 0119, 0213, 0228, 0249, 0648, 1228, 1239, 1249. 690576 Spring-Governor Used on Type No(s). 0229, 0231, 1229, 1232.
127A	690727	Plug-Welch	133A	694914	Float-Carburetor			
127B	694530	Plug-Welch	137	281165	Gasket-Float Bowl			
			137A	695426	Gasket-Float Bowl			
			141	495097	Kit-Choke Shaft (Manual Choke)			
			141A	495931	Kit-Choke Shaft (Choke A Matic)			
			141B	695420	Kit-Choke Shaft			
			142	231990	Nozzle-Carburetor Note 692412 Nozzle-Carburetor (LMT 149, 150, 152, 153, 154, 155, 156, 697480, 697481, 697482, 697483)			
			146	691639	Key-Timing			
			147	231985	Jet-Pilot (LMT 73, 74, 121, 122, 130, 137, 138) Note 697472 Jet-Pilot (LMT 33, 34)			
			165	693148	Nut (Ring Gear)			
			167	692297	Seal-Air Cleaner Nut			
			176	691917	Seal-O Ring (Air Cleaner Base)			
			185	690958	Nut (Air Cleaner Base)			
			186	691609	Connector-Hose (Vacuum Line)			
			186A	692317	Connector-Hose			
			187	691050	Line-Fuel (Cut to Required Length)			
			187A	697098	Line-Fuel (Formed)(3 1/2" Long) Note 697907 Line-Fuel (Formed)(9 5/8" Long) 698417 Line-Fuel (Formed)(10 1/4" Long)			

★ Included in Engine Gasket Set-Ref. No.358.

● Included in Carburetor Overhaul Kit-Ref. No. 121.

◆ Included in Carburetor Gasket Set-Ref. No. 977.

△ Included in Valve Gasket Set-Ref. No 1095.

Illustrations cover a range of engines. Parts shown without corresponding text may not be used on your specific engine.

REF. NO.	PART NO.	DESCRIPTION	REF. NO.	PART NO.	DESCRIPTION	REF. NO.	PART NO.	DESCRIPTION
216	691840	Choke Link	300	495805	Muffler	305	692127	Screw
217	695409	Spring–Choke Return	300A	496022	Muffler			(Blower Housing)
222	694042	Bracket–Control	300D	495882	Muffler			(9/16" Long)
222A	694335	Bracket–Control Used on Type No(s). 1275.	300E	498984	Muffler			———— Note ———
227	691374	Lever–Governor Control ———— Note ——— 694339 Lever– Governor Control Used on Type No(s). 1275.	304	690845	Housing–Blower (Black) 690844 Housing– Blower (Red) ———— Note ——— 690846 Housing– Blower (Black) Used on Type No(s). 01236.			690960 Screw (Blower Housing) (5/8" Long))
231	●691636	Screw (Choke Valve)				306	698454	Shield–Cylinder
231A	●690718	Screw (Choke Valve)				307	691003	Screw (Cylinder Shield)
232	691842	Spring–Governor Link				309	693551	Motor–Starter (3 5/8" Housing Length)(For Steel Ring Gear Only) ———— Note ——— 693552 Motor–Starter (4 3/8" Housing Length)(For Steel Ring Gear Only)
238	691843	Cap–Valve						
240	298090	Filter–Fuel (150 Microns)(Red) ———— Note ——— 394358 Filter–Fuel (75 Microns)(White)						497595 Motor–Starter (3 5/8" Housing Length)(For Plastic Ring Gear Only) 497401 Motor–Starter (4 3/8" Housing Length For Plastic Ring Gear Only)
265	691024	Clamp–Casing						
267	690804	Screw (Casing Clamp)(5/8" Long) ———— Note ——— 695134 Screw (Casing Clamp)(9/16" Long)						693054 Motor–Starter (3 5/8" Housing Length)(For Aluminum Ring Gear Only) 499521 Motor–Starter (4 3/8" Housing Length)(For Aluminum Ring Gear Only)
268	691025	Casing–Control Wire (Cut to Required Length)						
269	691026	Wire–Control (Cut to Required Length)						
270	691027	Nut (Control Wire Casing)				309A		Motor–Starter For Replacement Starter Motor, Order Ref 309)
271	691028	Lever–Control						
276	◆692255	Washer–Sealing						
276A	◆695410	Washer–Sealing						
287	691002	Screw (Dipstick Tube)						

★ Included in Engine Gasket Set–Ref. No.358.

● Included in Carburetor Overhaul Kit–Ref. No. 121.

◆ Included in Carburetor Gasket Set–Ref. No. 977.

△ Included in Valve Gasket Set–Ref. No 1095.

Illustrations cover a range of engines. Parts shown without corresponding text may not be used on your specific engine.

287700

REF. NO.	PART NO.	DESCRIPTION	REF. NO.	PART NO.	DESCRIPTION	REF. NO.	PART NO.	DESCRIPTION
310	690323	Bolt (Starter Motor) (3 5/8" Housing Length) Note _____ 691263 Bolt (Starter Motor) (4 3/8" Housing Length) 692329 Bolt (Starter Motor) (4 9/16" Housing Length)	369	695422	Spring-Float Bowl	513	692024	Clutch-Drive
			373	691612	Nut (Ground Terminal)	520	691084	Terminal-Ground
			383	89838	Wrench-Spark Plug	521	690581	Shield-Cable
			385	691108	Screw (Fuel Pump)	523	692014	Dipstick
			387	808656	Pump-Fuel	524	★281370	Seal-Dipstick Tube
			404	691691	Washer (Governor Crank)	525	691398	Tube-Dipstick (Screw Mount)
			441	224390	Bracket-Oil Fill	525A	495768	Tube-Dipstick (Clamp Mount)
			445	496894	Filter-Air Cleaner Cartridge	526	694476	Screw (Regulator) (Used After Code Date 99070500). Note _____
			449	690664	Screw (Oil Fill Bracket)			690326 Screw (Regulator) (Used Before Code Date 99070600).
311	497608	Brush Set	455	691173	Cup-Flywheel			
311A	395538	Brush Set (For 3 5/8" Housing Length)	455A	695113	Cup-Flywheel			
311B	490311	Brush Set (For 4 9/16" Housing Length)	456	695128	Plate-Pawl Friction			
			459	281505	Pawl-Ratchet			
			462	691261	Washer (Starter Cable)	544	692034	Armature-Starter (3 5/8" Housing Length)
318	692127	Screw (Mounting Bracket)	467	691668	Knob-Air Cleaner			
333	495859	Armature-Magneto	474	698016	Alternator (DC Only)	544A	390837	Armature-Starter (For 3 5/8" Housing Length) Note _____
334	691061	Screw (Magneto Armature)	474A	691063	Alternator (Dual Circuit)			
337	491055	Plug-Spark (Resistor) Note _____ 691043 Plug-Spark (Resistor) Used on Type No(s). 1237, 1287.	474B	696457	Alternator (Tri Circuit)			490309 Armature- Starter (For 4 3/8" Housing Length)
			493	694475	Bracket-Mounting (Used After Code Date 99070500).	552	491986	Bushing-Governor Crank
344	693675	Screw (Cable Clamp)	493A	691177	Bracket-Mounting (Used Before Code Date 99070600).	559	690661	Screw (#8-18)(Remote Choke Stop) Note _____
346	690661	Screw (Spark Arrester)	500	691086	Washer (Key Switch)			697561 Screw (#8-32)(Remote Choke Stop)
356B	690807	Wire-Stop	501A	691188	Regulator			
357	691483	Key-Drive Pulley	503	691532	Strap-Starter			
358	691580	Gasket Set-Engine (Used After Code Date 97100500). Note _____ 495993 Gasket Set-Engine (Used Before Code Date 97100600).	505	691251	Nut (Governor Control Lever)	562	92613	Bolt (Governor Control Lever)
			507	691972	Insulator	578	692306	Wire Assembly
359	691077	Washer (Ground Terminal)	510	693699	Drive-Starter (Used With Steel Ring Gear)	579	691029	Nut (Starter Cable)
363	19203	Flywheel Puller	510A	497606	Drive-Starter (Used With Aluminum & Plastic Ring Gears)	592	690800	Nut (Rewind Starter)
			510B	495878	Drive-Starter	597	691696	Screw (Pawl Friction Plate)

★ Included in Engine Gasket Set-Ref. No.358.

● Included in Carburetor Overhaul Kit-Ref. No. 121.

◆ Included in Carburetor Gasket Set-Ref. No. 977.

△ Included in Valve Gasket Set-Ref. No 1095.

Illustrations cover a range of engines. Parts shown without corresponding text may not be used on your specific engine.
2719-16 Assemblies include all parts shown in frames. 6C-12/2002

REF. NO.	PART NO.	DESCRIPTION	REF. NO.	PART NO.	DESCRIPTION	REF. NO.	PART NO.	DESCRIPTION
601	95162	Clamp-Hose	697A	691058	Screw (Drive Cap)	802A	395537	Cap-End (For 3 5/8" Housing Length)
601A	691038	Clamp-Hose	711	690703	Screw (Carburetor Shield)			Note
607	691693	Screw (Air Cleaner Brace)	718	690959	Pin-Locating Gear-Ring (Steel)			494988 Cap-End (For 4 3/8" Housing Length)
607A	690703	Screw (Air Cleaner Brace)	726		(Sold In Flywheel Kit, Reference 23, Only)	803	693757	Housing-Starter (3 5/8" Housing Length)
608	695058	Starter-Rewind (Used After Code Date 99102400).	726A	399676	Gear-Ring (Aluminum) (Services Plastic Ring Gear Only)	803A	398159	Housing-Starter (For 3 5/8" Housing Length)
608A	390391	Starter-Rewind (Used Before Code Date 99102500).	727	490324	Cover-Starter Drive			Note
613	691416	Screw (Muffler)	729	691335	Clip-Wire			494205 Housing-Starter (For 4 3/8" Housing Length)
613A	691678	Screw (Muffler)	729A	691224	Clip-Wire			
613B	690297	Screw (Muffler)	732	691002	Screw (Starter Drive Cover)	810	691779	Extension-Crankshaft
614	691620	Pin-Cotter	737	690372	Screw (Oil Filter Adapter)	813	690635	Clamp
616	692012	Crank-Governor	741	691284	Gear-Timing	823	690363	Screw (Muffler Adapter)
617	Δ*692138	Seal-O Ring (Intake Manifold) (Used After Code Date 97100500).	742	93307	Retainer-E Ring	830	691095	Stud (Rocker Arm)
628	692198	Screw (Fuel Pump Bracket)	750	691033	Screw (Oil Pump Cover) (Used After Code Date 98063000).	842	*691870	Seal-O Ring (Dipstick Tube)
633	695414	Seal-Choke/Throttle Shaft	750A	690198	Screw (Oil Pump Cover) (Used Before Code Date 98070100).	847	496415	Dipstick/Tube Assembly
634	●690801	Spring/Seal Assembly (Manual Choke)	757	691714	Link-Counterweight	847A	490474	Dipstick/Tube Assembly
634A	●690802	Spring/Seal Assembly (Choke A Matic)	758	692423	Counterweight	851	692424	Terminal-Spark Plug
634B	694912	Spring/Seal Assembly	759	691239	Pin-Counterweight	864	697346	Adapter-Muffler
635	691909	Boot-Spark Plug	761	691096	Screw (Counterweight)	868	Δ*690968	Seal-Valve
646	690460	Brace-Air Cleaner	783	693713	Gear-Pinion (For Steel Ring Gear Only)	875	694942	Base-Air Cleaner
654	690958	Nut (Carburetor)	783A	693059	Gear-Pinion (For Aluminum Ring Gear Only)	876	495877	Kit-Pinion Spring
655	691734	Anchor-Rewind Spring	783B	693058	Gear-Pinion (For Plastic Ring Gear Only)	877	393456	Wire/Connector-Alternator
664	691087	Nut (Key Switch)	788	690458	Bracket-Fuel Pump	877B	393537	Wire/Connector-Alternator
668	690510	Spacer	789	692037	Harness-Wiring	877C	399916	Wire/Connector-Alternator
668A	691323	Spacer	789A	698329	Harness-Wiring	878	691237	Harness-Alternator (2 Wires, 48-1/2", And 48-1/2" Long)(Snap Connect Female Pin Terminal and 2 Bare Wire Ends)
676	393761	Deflector-Muffler	789B	693000	Harness-Wiring	878A	691955	Harness-Alternator (3 Wires, 5", 48", And 48" Long)(Snap Connect Pin Socket, 2 Bare Wire Ends and 2 Insulated Rectifier Diodes)
677	690661	Screw (Muffler Deflector)	797	693167	Nut (Brush Retainer)			
678	490817	Spacer-Rewind	801	691429	Cap-Drive			
689	691855	Spring-Friction	802	691286	Cap-End			
691	*692407	Seal-Governor Shaft						
692	690572	Spring-Detent						
695	693109	Screw (Ring Gear)						
697	690372	Screw (Drive Cap)						

★ Included in Engine Gasket Set-Ref. No.358.

● Included in Carburetor Overhaul Kit-Ref. No. 121.

◆ Included in Carburetor Gasket Set-Ref. No. 977.

Δ Included in Valve Gasket Set-Ref. No 1095.

Illustrations cover a range of engines. Parts shown without corresponding text may not be used on your specific engine.

287700

REF. NO.	PART NO.	DESCRIPTION	REF. NO.	PART NO.	DESCRIPTION	REF. NO.	PART NO.	DESCRIPTION
883	Δ★692236	Gasket-Exhaust	975A	695417	Bowl-Float	1036	695700	Label-Emission (Used After Code Date 00063000).
892	692318	Switch-Key	977	690192	Gasket Set-Carburetor (Used After Code Date 97100500).			Note ——— 694997 Label- Emission (Used Before Code Date 00070100 and After Code Date 99093000).
896	691641	Pin-Drive Retainer						
914	690960	Screw (Rocker Cover)						
918	393815	Hose-Vacuum (Cylinder To Impulse Pump) (Cut to Required Length)			494385 Gasket Set-Carburetor (Used Before Code Date 97060600).			
920	691656	Solenoid-Starter Used on Type No(s). 1230.	977A	695428	Gasket Set-Carburetor			
926	498233	Kit-Housing/Cap (For 4 9/16" Housing Length)	987	●691326	Seal-Throttle Shaft			694318 Label- Emission (Used Before Code Date 99100100 and After Code Date 98123100).
934	690372	Screw (Fan Retainer)	987A	692001	Seal-Throttle Shaft (LMT 33, 34)			
943	★690589	Seal-O Ring (Oil Pump Cover) (Used After Code Date 98063000).	987B	●690998	Seal-Throttle Shaft			
943A	★690604	Seal-O Ring (Oil Pump Cover) (Used Before Code Date 98070100).	988	★691317	Gasket-Oil Adapter			
947	497672	Solenoid-Fuel Note ——— 694393 Solenoid-Fuel Used on Type No(s). 1275.	990	691959	Key Set			499364 Label- Emission (Used Before Code Date 99010100 and After Code Date 97052500).
947A	695423	Solenoid-Fuel	994	392390	Arrestor-Spark			
950	691657	Screw (Float Bowl)	996	690678	Shield-Carburetor			
958	494768	Valve-Fuel Shut Off (Plastic)	1003	490316	Spring-Brush (For 4 9/16" Housing Length)			
965	499613	Cover-Oil Pump (Used After Code Date 98063000).	1005	695056	Fan-Flywheel			
965A	496745	Cover-Oil Pump (Used Before Code Date 98070100).	1005B	691905	Fan-Flywheel			499363 Label- Emission (Used Before Code Date 97052600).
967	272403	Filter-Pre Cleaner	1006	690452	Retainer-Fan			
968	691916	Cover-Air Cleaner	1017	690770	Screen-Oil Pump (Used After Code Date 98063000).			
971	692129	Screw (Air Cleaner Base) (Used After Code Date 97100500).	1017A	691216	Screen-Oil Pump (Used Before Code Date 98070100).			
		Note ——— 690810 Screw (Air Cleaner Base) (Used Before Code Date 97100600).	1019	496758	Kit-Label			
975	495933	Bowl-Float	1022	Δ★272475	Gasket-Rocker Cover			
			1023	691192	Cover-Rocker			
			1024	499054	Pump-Oil (Used After Code Date 98063000).			
			1024A	493884	Pump-Oil (Used Before Code Date 98070100).			
			1026	692003	Rod-Push (Intake) Note ——— 692011 Rod-Push (Exhaust)			
			1027	492932	Filter-Oil			
			1028	496744	Adapter-Oil Filter			
			1029	691751	Arm-Rocker			
			1034	690822	Guide-Push Rod			
			1035	693784	Shaft-Pump			
						1044	691658	Screw (Flywheel)
						1051	691265	Ring-Retaining
						1054	280275	Tie-Cable
						1055	690528	Tube-Oil Pump (Used Before Code Date 98070100).
						1058	274789	Owner's Manual
						1090	691293	Retainer-Brush
						1091	691333	Cap-Limiter
						1095	495992	Gasket Set-Valve (Used Before Code Date 97100600).
						1095A	691581	Gasket Set-Valve (Used After Code Date 97100500).
						1119	691183	Screw (Alternator)
						1127	695407	Screw (Float Bowl)
						1136	698622	Screw (Control Bracket) (High Speed Control)

★ Included in Engine Gasket Set-Ref. No.358.

● Included in Carburetor Overhaul Kit-Ref. No. 121.

◆ Included in Carburetor Gasket Set-Ref. No. 977.

Δ Included in Valve Gasket Set-Ref. No 1095.

Illustrations cover a range of engines. Parts shown without corresponding text may not be used on your specific engine.