

**256700 to 256799**

# Illustrated Parts List

## Model Series

### 256700 to 256799

TYPE NUMBERS  
0016, 0100, 0101,  
0105 through 0117,  
0119 through 0132,  
0135, 0136, 0138,  
4001, 4005.

**TO FIND**  
**THE CORRECT NUMBER OF THE PART YOU NEED:**  
**FOLLOW THE INSTRUCTIONS BELOW**

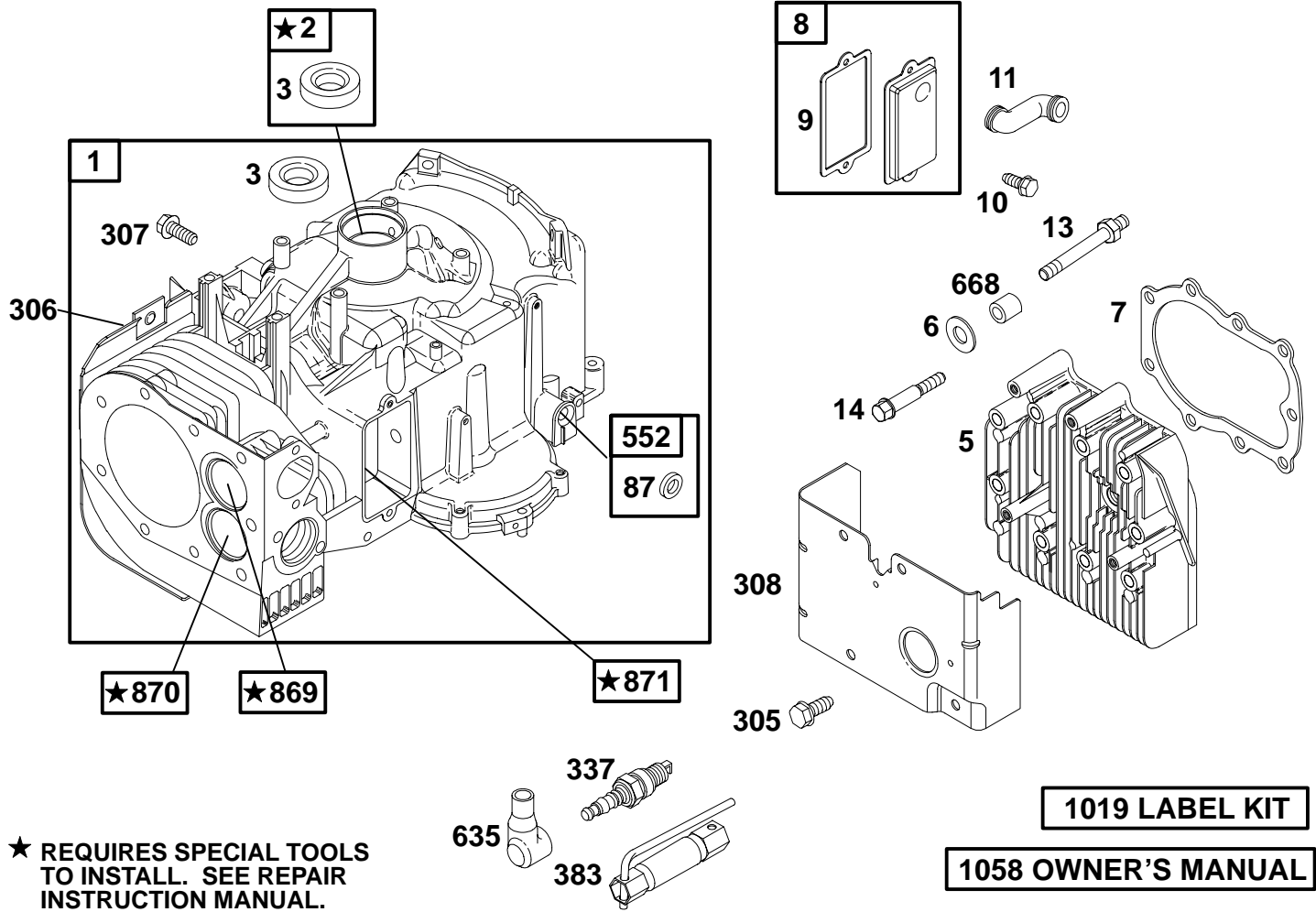
- A. Refer to Engine Model, Type and Code Number that is stamped on the blower housing of engine. Engine type numbers such as 0123 01 are listed only as 0123 in most instances. The two digits (01 or 02, etc.) to the right of the space may be required for more accurate parts identification in some instances. Select the Illustrated Parts List covering the correct Model Series and Type Number.
- B. Refer to the Illustrations and compare the original part with Illustration. The number next to the illustration is the Reference Number. Assemblies include all parts shown in frames. All parts shown in assembly frames having individual reference numbers can be purchased separately.
- C. After the Reference Number has been identified, refer to the Numerical text, where Reference and Primary Part Number are listed. **THE PRIMARY PART IS USED ON ALL TYPE NUMBERS EXCEPT THOSE TYPE NUMBERS UNDER "NOTE."**
- D. If a "Note" appears below the Primary Part Number, it means that this part differs from the Primary Part for certain types. If your Type number is listed under "Note," order the part referred to at the "Note."
- E. If your Engine Type Number does not appear after any part number listed under "Note," use the Primary Part Number.
- F. For Engine Type Numbers not covered by this book, check other Parts Lists having the same engine model or contact your source of supply.

PRINTED IN U.S.A.



COPYRIGHT by BRIGGS & STRATTON CORPORATION  
All rights reserved. No part of this material may be reproduced or transmitted, in any form or by any means, electronic or mechanical, including photocopying, recording or by any information storage and retrieval system, without permission in writing from Briggs & Stratton Corporation.

# 256700 to 256799



**1019 LABEL KIT**

**1058 OWNER'S MANUAL**

★ **REQUIRES SPECIAL TOOLS TO INSTALL. SEE REPAIR INSTRUCTION MANUAL.**

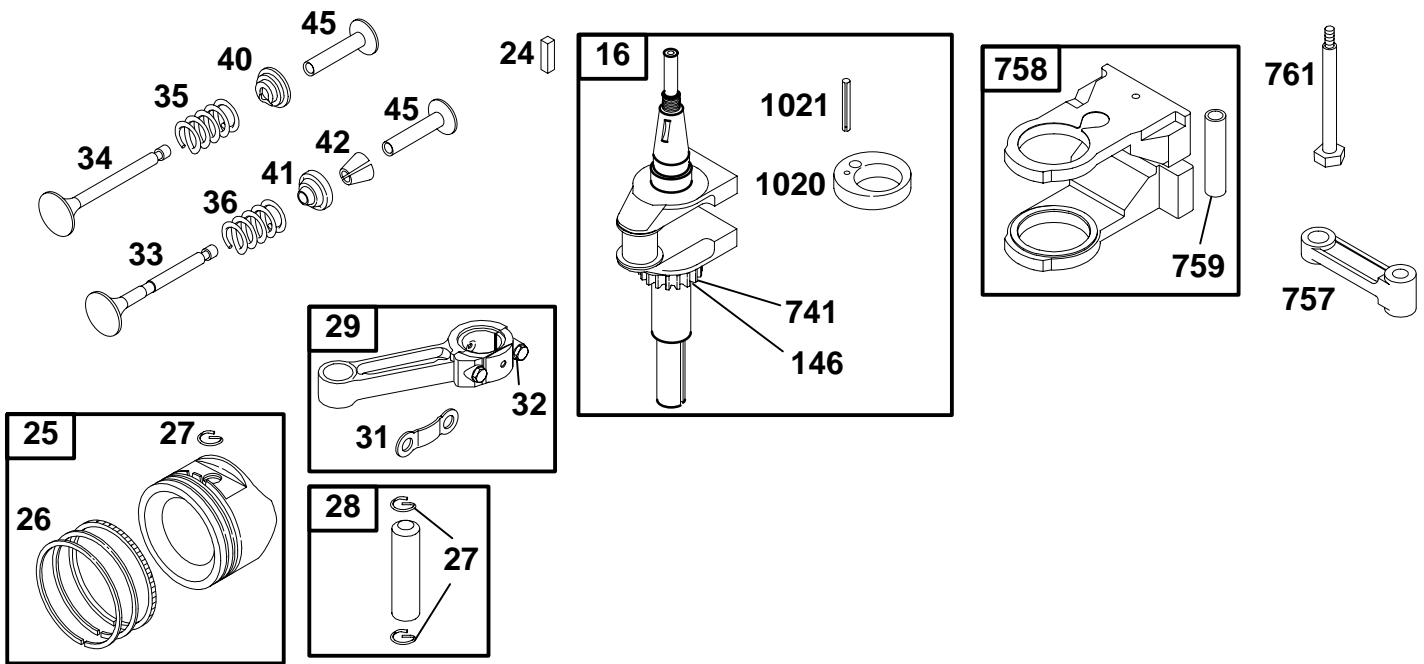
REF. NO.	PART NO.	DESCRIPTION	REF. NO.	PART NO.	DESCRIPTION	REF. NO.	PART NO.	DESCRIPTION
1	495729	Cylinder Assembly	14	94622	Screw-Hex.	668	231186	Spacer
2	399265	Bushing	87	★491323	Seal-Governor Shaft			Used on Type No(s). 0110.
3	★391086	Seal-Oil	305	94786	Screw-Hex.	869	261463	Seat-Valve (Intake)
5	212914	Head-Cylinder	306	224882	Shield-Cylinder	870	262924	Seat-Valve (Exhaust)
6	22963	Washer-Flat			<b>Note</b>	871	261961	Bushing-Guide (Exhaust Valve)
		Used on Type No(s). 0109, 0110, 0120.			224542 Shield-Cylinder			<b>Note</b>
7	★⊗271866	Gasket-Cylinder Head			Used on Type No(s). 0105, 0123, 0125, 0130, 0135, 0138.			231218 Bushing-Guide (Intake Valve) (Brass)
8	495735	Breather Assembly	307	94930	Screw-Hex.	1019	491252	Label Kit
		<b>Note</b>	308	224897	Cover-Cylinder	1058	270862	Owner's Manual
		495734 Breather Assembly	337	298809	Plug-Spark			
		Used on Type No(s). 0123.			<b>Note</b>			
9	★⊗27803	Gasket-Breather			802592 Plug-Spark (Resistor Type)			
10	94621	Screw-Hex.	383	89838	Wrench-Spark Plug			
11	280100	Tube-Breather	552	491986	Bushing-Governor Crank			
13	94776	Stud-Hex. Drive	635	66538	Boot-Spark Plug			
		Used on Type No(s). 0110, 0117, 0120.						

★ Included in Gasket Set-Part Number 393411.

● Included in Carburetor Kit-Part Number 394698.

⊗ Included in Valve Overhaul Gasket Set-Part No. 498539.

**256700 to 256799**

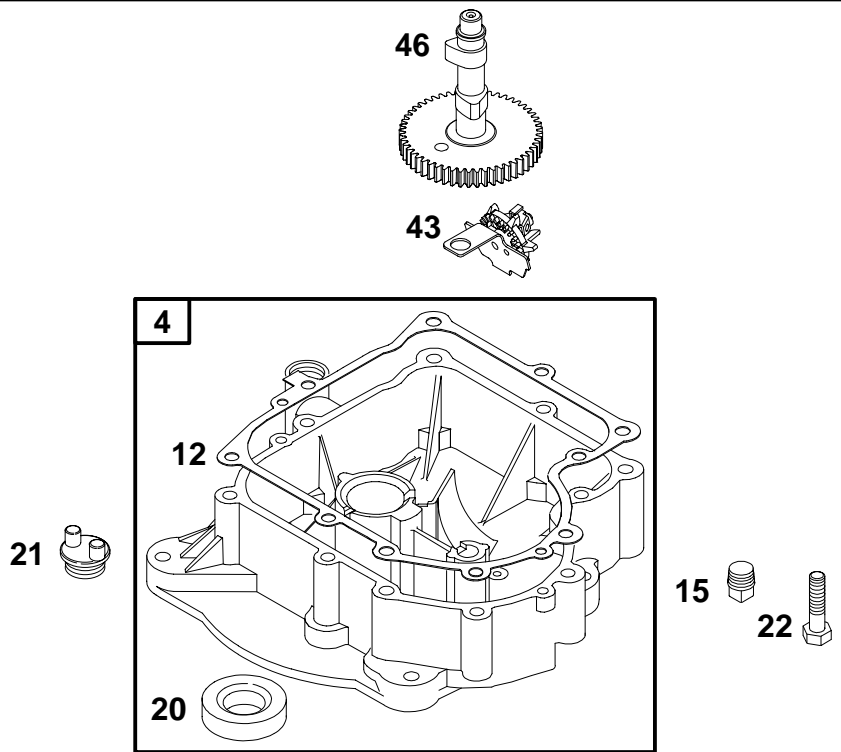
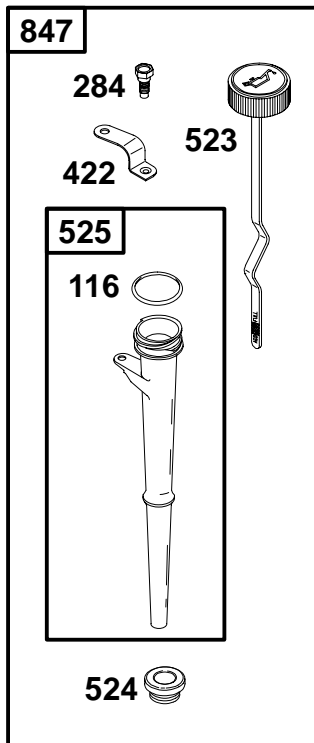


REF. NO.	PART NO.	DESCRIPTION	REF. NO.	PART NO.	DESCRIPTION	REF. NO.	PART NO.	DESCRIPTION
16	498994	Crankshaft _____ <b>Note</b> _____ 498993 Crankshaft (Used Before Code Date 88071900 and After Code Date 88100300). Used on Type No(s). 0107.	26	391780	Ring Set (Standard) _____ <b>Note</b> _____ 392331 Ring Set (Chrome Standard) 391781 Ring Set (.010" O.S.) 391782 Ring Set (.020" O.S.) 391783 Ring Set (.030" O.S.)	31	222299	Lock-Rod Screw
24	222698	Key-Flywheel	27	260924	Lock-Piston Pin	32	95017	Screw-Connecting Rod
25	394661	Piston Assembly (Standard) _____ <b>Note</b> _____ 394662 Piston Assy. (.010" O.S.) 394663 Piston Assy. (.020" O.S.) 394664 Piston Assy. (.030" O.S.)	28	299691	Pin-Piston (Standard) _____ <b>Note</b> _____ 391286 Pin-Piston (.050" O.S.)	33	261185	Valve-Exhaust
			29	490348	Rod-Connecting (Standard) _____ <b>Note</b> _____ 490469 Rod-Conn. (.020" Undersize)	34	261462	Valve-Intake
						35	65906	Spring-Valve
						36	26828	Spring-Valve
						40	221596	Retainer-Valve
						41	292260	Retainer-Valve
						42	494553	Keeper-Valve
						45	262248	Tappet-Valve
						146	94196	Key-Timing
						741	262932	Gear-Timing
						757	213998	Link-Counterweight
						758	391373	Counterweight
						759	298909	Pin-Counterweight
						761	94593	Screw-Hex.
						1020	261242	Eccentric
						1021	94853	Pin-Retainer

★ Included in Gasket Set-Part Number 393411.  
 ● Included in Carburetor Kit-Part Number 394698.

⊘ Included in Valve Overhaul Gasket Set-Part No. 498539.

## 256700 to 256799



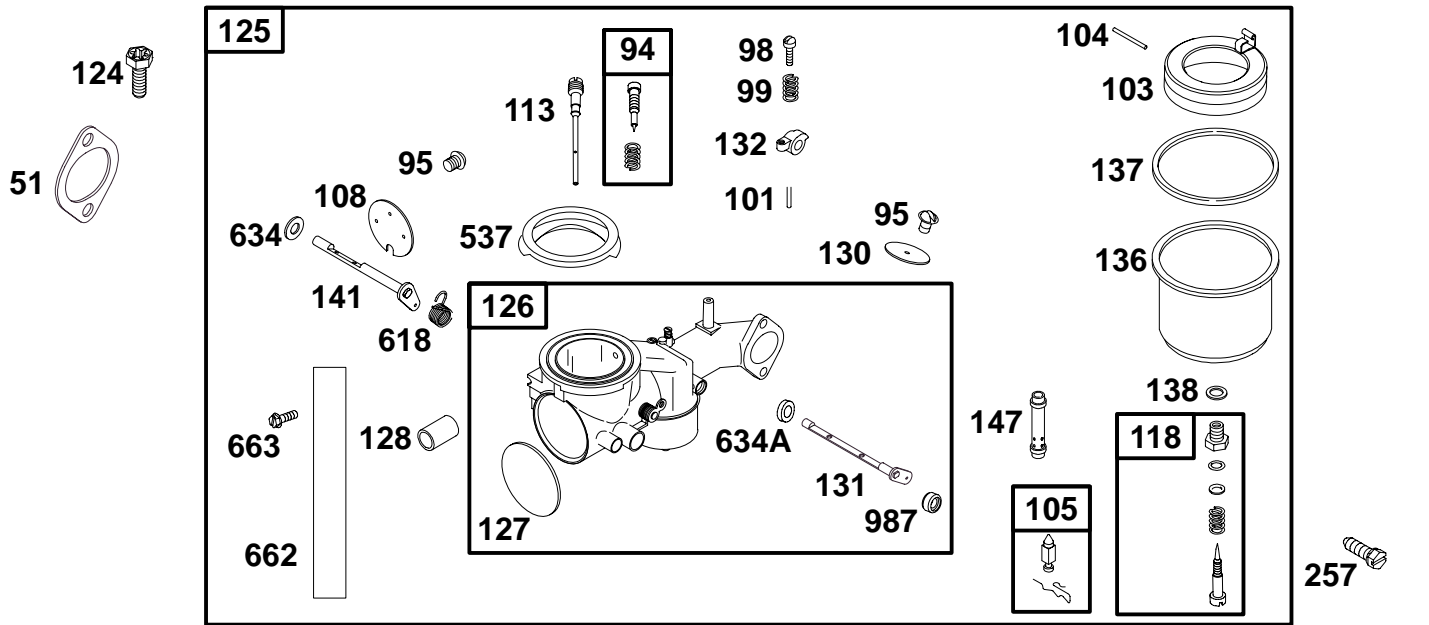
REF. NO.	PART NO.	DESCRIPTION	REF. NO.	PART NO.	DESCRIPTION	REF. NO.	PART NO.	DESCRIPTION
4	391784	Sump-Engine	15	94239	Plug-Oil Drain	284	94874	Screw-Hex.
12	★271702	Gasket-Crankcase (.015" Thick, Standard)	20	★291675	Seal-Oil	422	224872	Bracket-Oil Fill
		<b>Note</b>	21	66768	Cap-Oil Fill	523	495229	Dipstick
		★270915 Gasket-Crankcase (.005" Thick)	22	93585	Screw-Hex.	524	★281370	Seal-Fill Tube
		★270916 Gasket-Crankcase (.009" Thick)	43	490815	Governor/Oil Slinger	525	280134	Tube-Oil Fill
			46	212897	Gear-Cam	847	392067	Dipstick/Tube Assembly
			116	270920	Seal-O-Ring			

★ Included in Gasket Set-Part Number 393411.

● Included in Carburetor Kit-Part Number 394698.

∅ Included in Valve Overhaul Gasket Set-Part No. 498539.

**256700 to 256799**

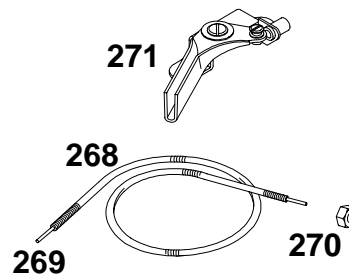
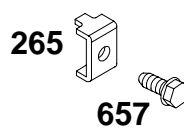
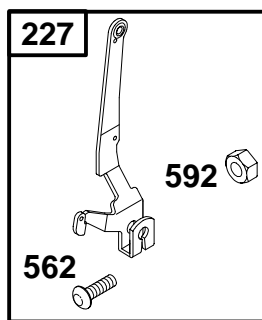
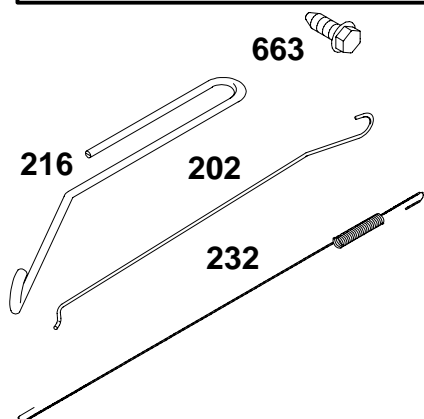
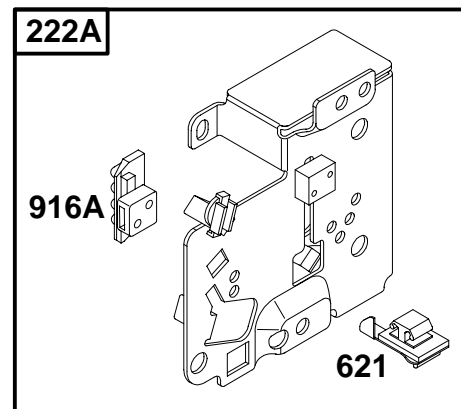
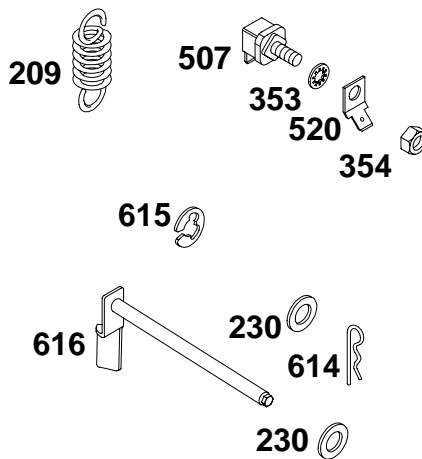
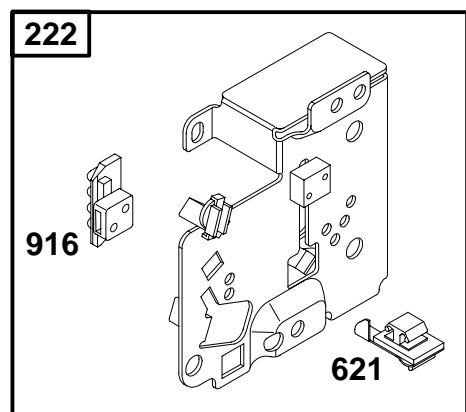


REF. NO.	PART NO.	DESCRIPTION	REF. NO.	PART NO.	DESCRIPTION	REF. NO.	PART NO.	DESCRIPTION
51	★272554	Gasket-Carb. Mounting	126	490473	Body Assembly-Upper	147	●231323	Nozzle-Carburetor
94	●292681	Kit-Idle Mixture			<b>Note</b>	257	93543	Screw-Slotted
95	93499	Screw-Choke/Throttle			391787			Body Assembly-Upper
98	91920	Screw-Slotted			Used on Type No(s).	537	●★270853	Gasket-Air Cleaner
99	26157	Spring-Friction			0110, 0119, 0120,	618	261116	Spring
101	93043	Pin-Throttle Lever			0126, 0130.	634	270382	Washer
103	299707	Float-Carburetor	127	●221997	Plug-Welch	634A	271853	Seal-Throttle Shaft
104	●231435	Pin-Float Hinge	128	213115	Venturi-Carburetor	662	224440	Strap
105	●394681	Kit-Needle/Seat (Pump Feed)	130	222433	Valve-Throttle	663	93572	Screw-Hex.
108	222010	Valve-Choke	131	491006	Throttle Shaft Kit	987	398970	Seal-Throttle Shaft
113	●299740	Nozzle-Carburetor	132	211712	Stop-Throttle			
118	●396568	Valve-High Speed	136	221995	Bowl-Float			
124	94913	Screw-Torx® Hex.	137	●270511	Gasket-Float Bowl			
125	491604	Carburetor (Choke A Matic®)	138	●222014	Washer			
		<b>Note</b>	141	390684	Shaft-Choke (Choke A Matic®)			
		491562 Carburetor (Choke A Matic®) Used on Type No(s). 0110, 0119, 0120, 0126, 0130.			<b>Note</b>			
		491602 Carburetor (Remote/Manual Choke) Used on Type No(s). 0100, 0101, 0105, 0125, 0135, 0138.			299647 Shaft-Choke (Remote/Manual Choke)			

★ Included in Gasket Set-Part Number 393411.  
 ● Included in Carburetor Kit-Part Number 394698.

⊘ Included in Valve Overhaul Gasket Set-Part No. 498539.

## 256700 to 256799



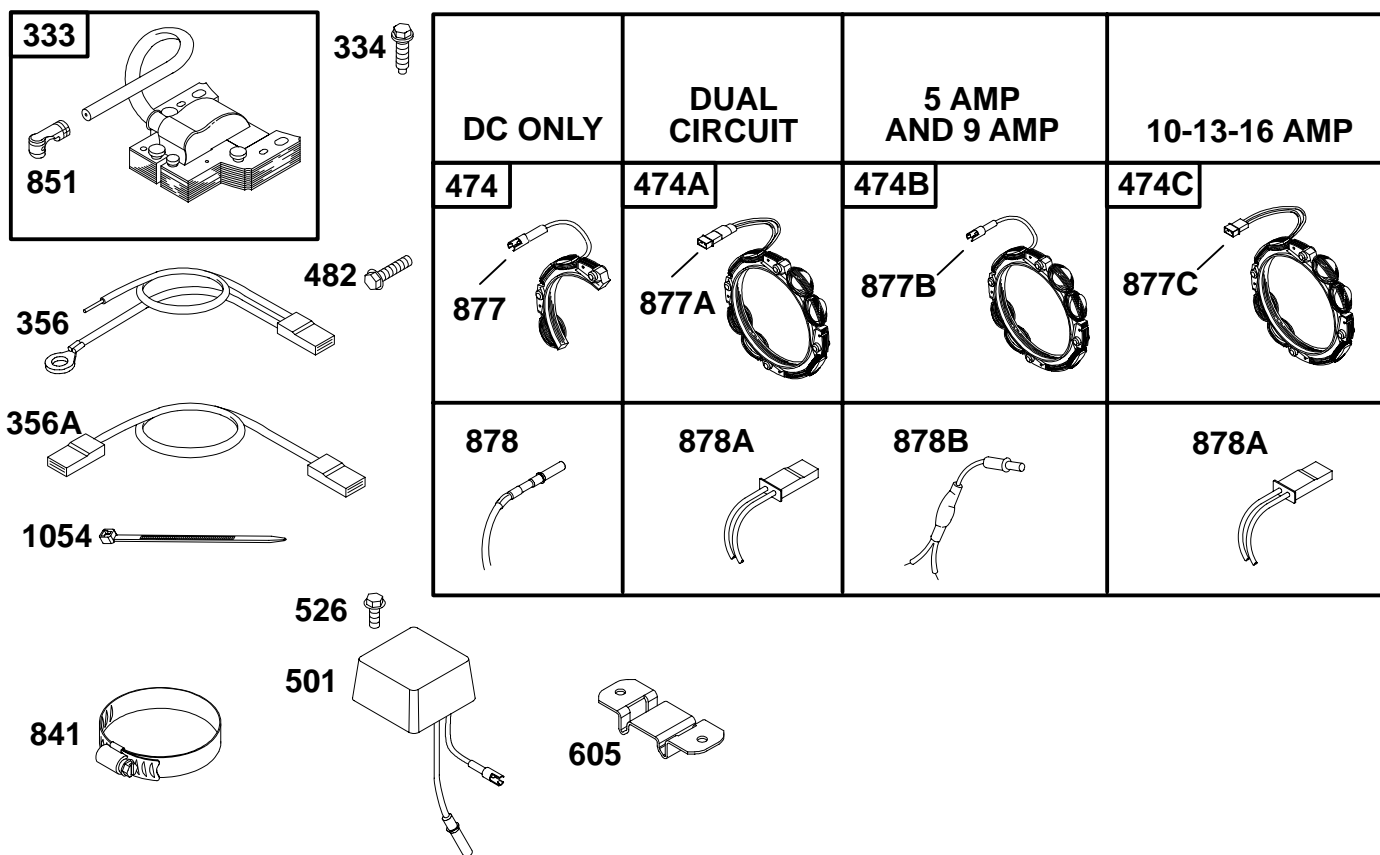
REF. NO.	PART NO.	DESCRIPTION	REF. NO.	PART NO.	DESCRIPTION	REF. NO.	PART NO.	DESCRIPTION
202	262348	Link—Mechanical Gov.	216	261610	Link—Choke	353	92791	Washer—Lock
209	260871	Spring—Governor	222	491594	Bracket—Control	354	90576	Nut—Hex.
		<b>Note</b> _____	222A	491593	Bracket—Control	507	398525	Insulator
	260695	Spring—Governor			Used on Type No(s). 0116, 0133.	520	93722	Terminal—Ground
		Used on Type No(s). 0105, 0108, 0109, 0110, 0112, 0119, 0123, 0125, 0126, 0130, 0131, 0135, 0138, 4005.	227	490927	Lever—Governor	562	92613	Bolt—Governor Lever
	261126	Spring—Governor	230	94742	Washer	592	231082	Nut—Hex.
		Used on Type No(s). 0107, 0127, 0128, 0129.	232	260584	Spring—Link	614	93306	Pin—Cotter
	261130	Spring—Governor	265	221535	Clamp—Casing	615	93307	Retainer
		Used on Type No(s). 0122.	268	65616	Casing—Wire (Cut to Required Length)	616	495157	Crank—Governor
	260902	Spring—Governor	269	26633	Wire—Control (Cut to Required Length)	621	396847	Switch—Stop
		Used on Type No(s). 0117, 0120.	270	63426	Locknut—Casing	657	94906	Screw—Slotted Hex.
			271	290568	Lever—Control	663	94929	Screw—Hex.
						916	280324	Rack—Gov. Gear
						916A	280321	Rack—Gov. Gear

★ Included in Gasket Set—Part Number 393411.

● Included in Carburetor Kit—Part Number 394698.

⊘ Included in Valve Overhaul Gasket Set—Part No. 498539.

**256700 to 256799**



**NOTE: THE PROPER FLYWHEEL PART NUMBER AND/OR THE ALTERNATOR MAGNET SIZE WILL DETERMINE THE ALTERNATOR TYPE OR OUTPUT. SEE REPAIR INSTRUCTION MANUAL FOR ADDITIONAL INFORMATION.**

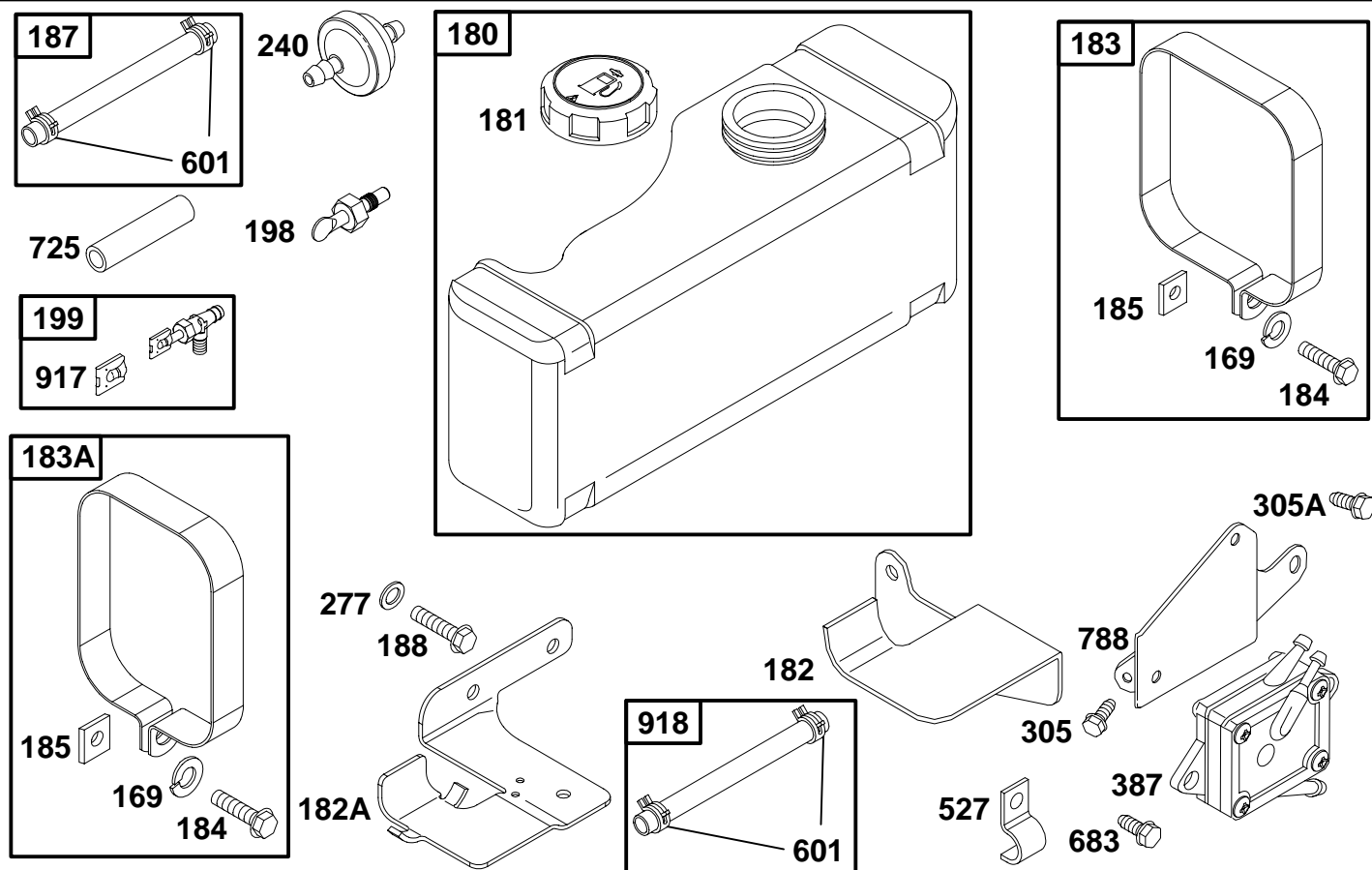
REF. NO.	PART NO.	DESCRIPTION	REF. NO.	PART NO.	DESCRIPTION	REF. NO.	PART NO.	DESCRIPTION
333	398811	Armature-Magneto	482	93621	Screw-Hex.	877A	393456	Wire-Alternator
334	94731	Screw-Hex.	501	491546	Regulator	877B	393537	Wire-Alternator
356	398808	Wire-Stop	526	94137	Screw-Hex.	877C	399916	Wire-Alternator
356A	494328	Wire-Stop	605	222934	Bracket-Mounting	878	393422	Harness-Alternator
474	391529	Alternator	841	393514	Clamp	878A	393362	Harness-Alternator
474A	393474	Alternator	851	493880	Terminal-Cable	878B	392606	Harness-Alternator
474B	392595	Alternator	877	393814	Wire-Alternator	1054	280275	Tie-Cable
474C	393295	Alternator						

★ Included in Gasket Set-Part Number 393411.

⊘ Included in Valve Overhaul Gasket Set-Part No. 498539.

● Included in Carburetor Kit-Part Number 394698.

## 256700 to 256799



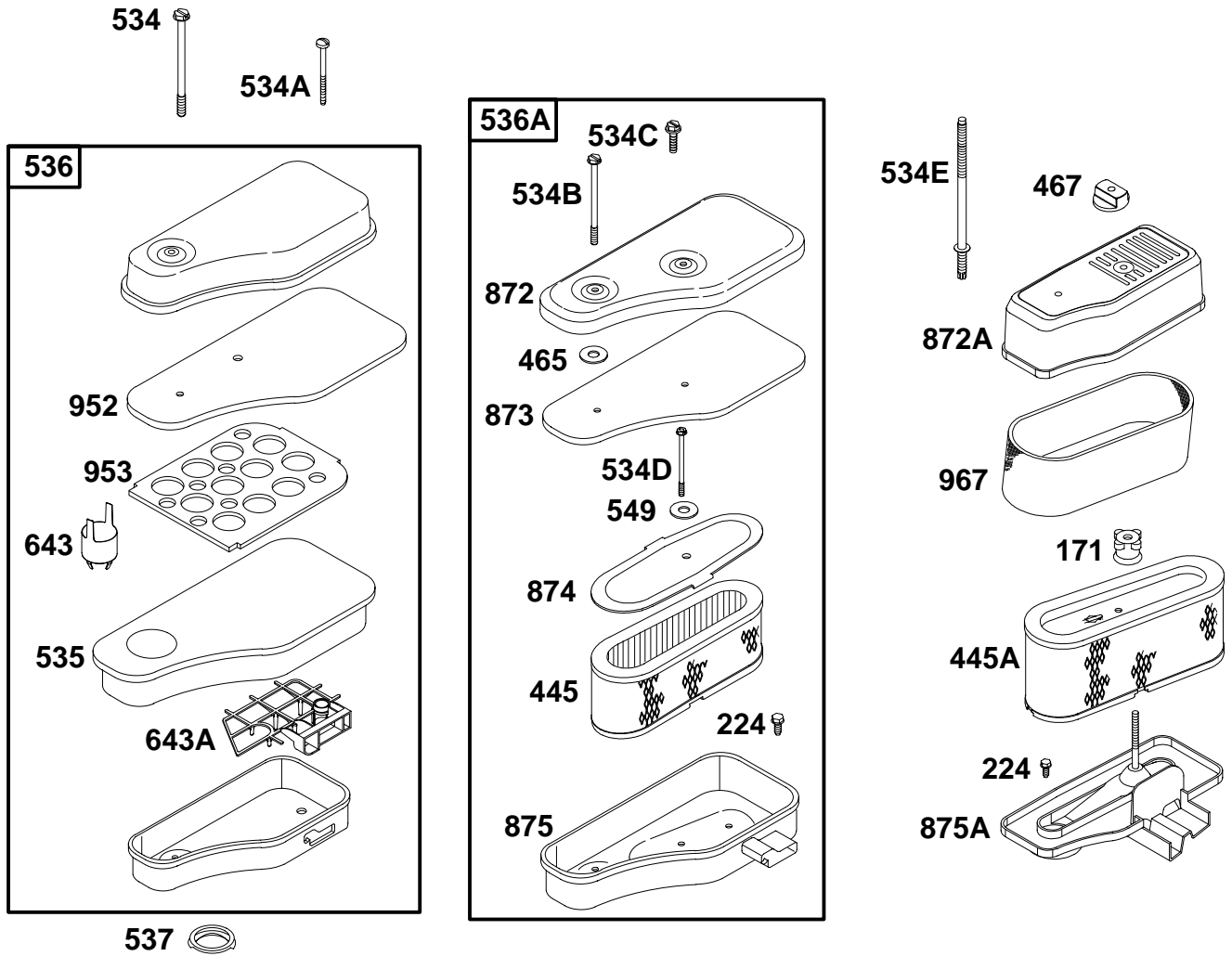
REF. NO.	PART NO.	DESCRIPTION	REF. NO.	PART NO.	DESCRIPTION	REF. NO.	PART NO.	DESCRIPTION	
169	90832	Washer-Lock	198	293934	Valve-Shut-Off	527	221428	Clamp	
180	390225	Tank-Fuel	199	492649	Valve-Fuel Shut-Off	601	93053	Clamp-Fuel Pipe	
181	493988	Cap-Fuel Tank	240	298090	Filter-Fuel	683	94602	Screw-Hex.	
182	222980	Brkt.-Fuel Tank			<b>Note</b>	725	222175	Shield-Heat	
182A	224884	Brkt.-Fuel Tank			394358	Filter-Fuel	788	224431	Bracket-Fuel Pump
183	390406	Strap-Fuel Tank			(Used on Fuel Pump Applications)	917	223271	Handle-Shut-Off Valve	
183A	390405	Strap-Fuel Tank			<b>Note</b>	918	393815	Hose-Vacuum	
184	94286	Screw-Hex.	277	22776	Washer-Flat (2)			(Cut to Required Length)	
185	90970	Nut-Square			(Used on Engines With Electric Start)				
187	299146	Line-Fuel			<b>Note</b>				
		(Cut to Required Length)			22963	Washer (4)			
188	93634	Screw-Hex.			(Used on Engines With Rewind Start Only)				
		(Used on Engines With Electric Start)	305	94786	Screw-Hex.				
		<b>Note</b>	305A	94513	Screw-Hex.				
		94627	387	491922	Pump-Fuel				
		Screw-Hex.							
		(Used on Engines With Rewind Start Only)							

★ Included in Gasket Set-Part Number 393411.

⊘ Included in Valve Overhaul Gasket Set-Part No. 498539.

● Included in Carburetor Kit-Part Number 394698.





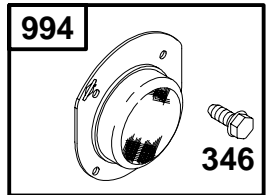
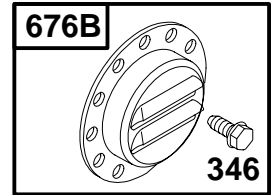
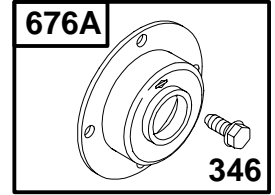
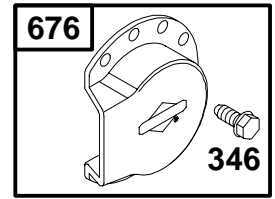
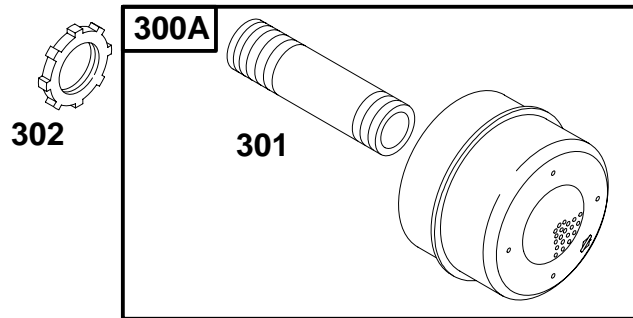
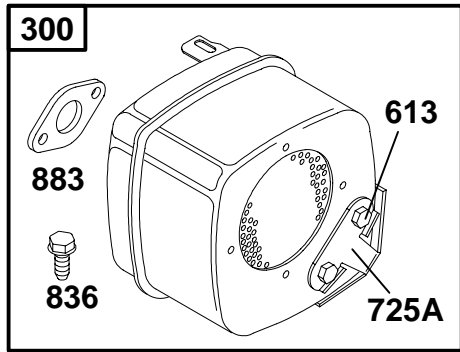
REF. NO.	PART NO.	DESCRIPTION	REF. NO.	PART NO.	DESCRIPTION	REF. NO.	PART NO.	DESCRIPTION
171	281051	Knob—Air Cleaner	534E	94246	Stud—Standard (3 1/2" Long)	643A	280118	Retainer—Air Filter
224	94902	Screw—Hex.			<b>Note</b> ———	872	396966	Cover—Air Cleaner
445	393725	Filter—Air			94248 Stud—Standard (6 3/4" Long)	872A	223700	Cover—Air Cleaner
445A	399806	Filter—A/C Cartridge	535	270843	Filter—Air	873	397971	Gasket—Cleaner Cover
465	271118	Washer	536	391786	Cleaner—Air	874	222898	Retainer—Air Filter
467	493903	Knob—Air Cleaner	536A	393749	Cleaner—Air	875	397321	Base—Air Cleaner
534	93323	Screw—Slotted	537	★270853	Gasket—Air Cleaner	875A	491877	Base—Air Cleaner
534A	93622	Screw—Slotted	549	270978	Washer	952	222495	Spacer—Air Cleaner
534B	93911	Screw—Slotted	643	222380	Spacer—Air Cleaner	953	222382	Screen—Air Cleaner
534C	93913	Screw—Slotted				967	271962	Filter—Pre-cleaner
534D	93910	Screw—Slotted						

★ Included in Gasket Set—Part Number 393411.

Ø Included in Valve Overhaul Gasket Set—Part No. 498539.

● Included in Carburetor Kit—Part Number 394698.

## 256700 to 256799

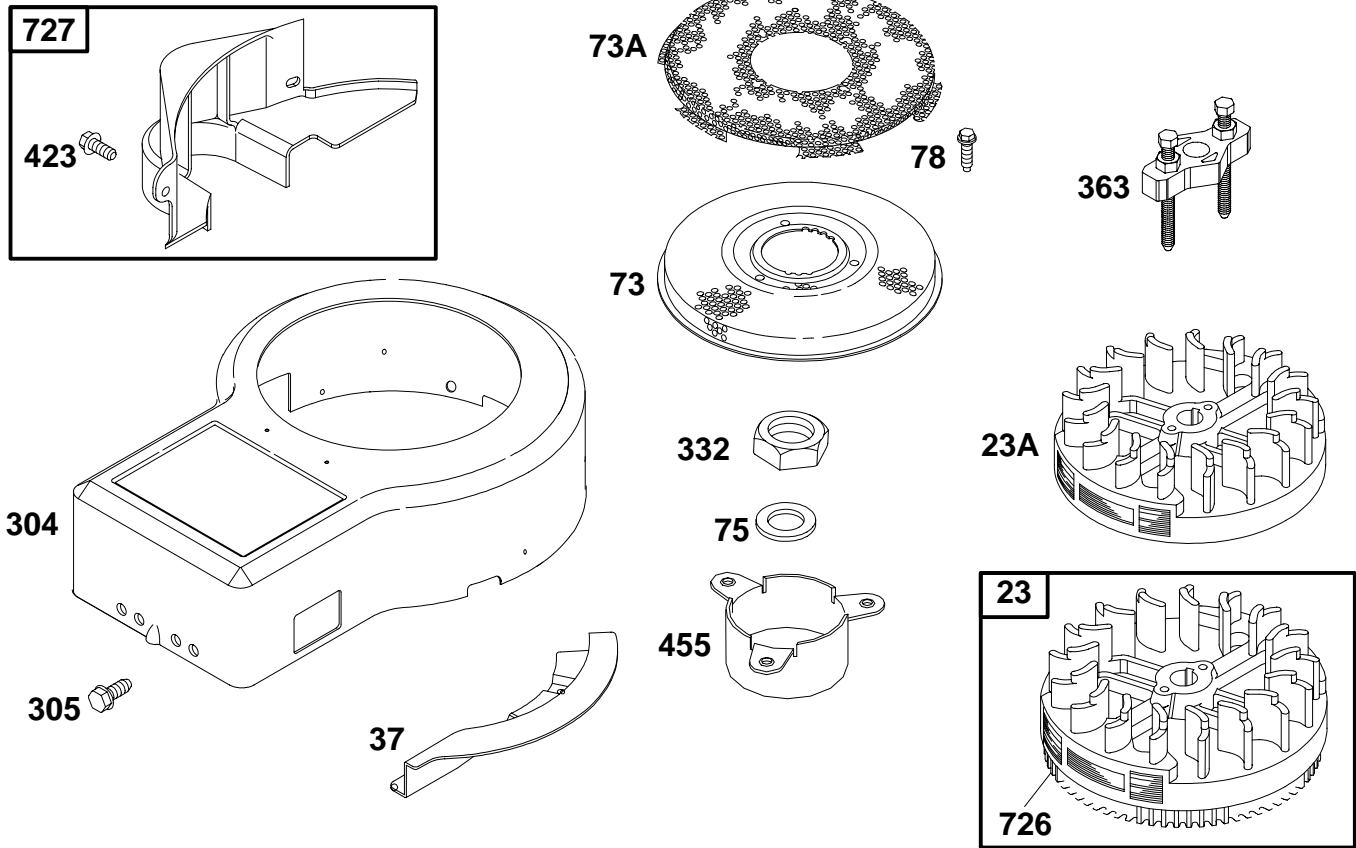


REF. NO.	PART NO.	DESCRIPTION	REF. NO.	PART NO.	DESCRIPTION	REF. NO.	PART NO.	DESCRIPTION
300	491413	Muffler-Exhaust	613	93927	Screw-Shoulder	725A	223023	Shield-Heat
300A	391569	Muffler-Exhaust	676	393761	Deflector-Muffler	836	690960	Screw-Hex.
301	93768	Pipe-Muffler	676A	396903	Deflector-Muffler	883	272293	Gasket-Exhaust
302	261564	Locknut-Muffler	676B	397630	Deflector-Muffler	994	392390	Arrestor-Spark
346	94896	Screw-Hex.						

★ Included in Gasket Set-Part Number 393411.

⊘ Included in Valve Overhaul Gasket Set-Part No. 498539.

● Included in Carburetor Kit-Part Number 394698.



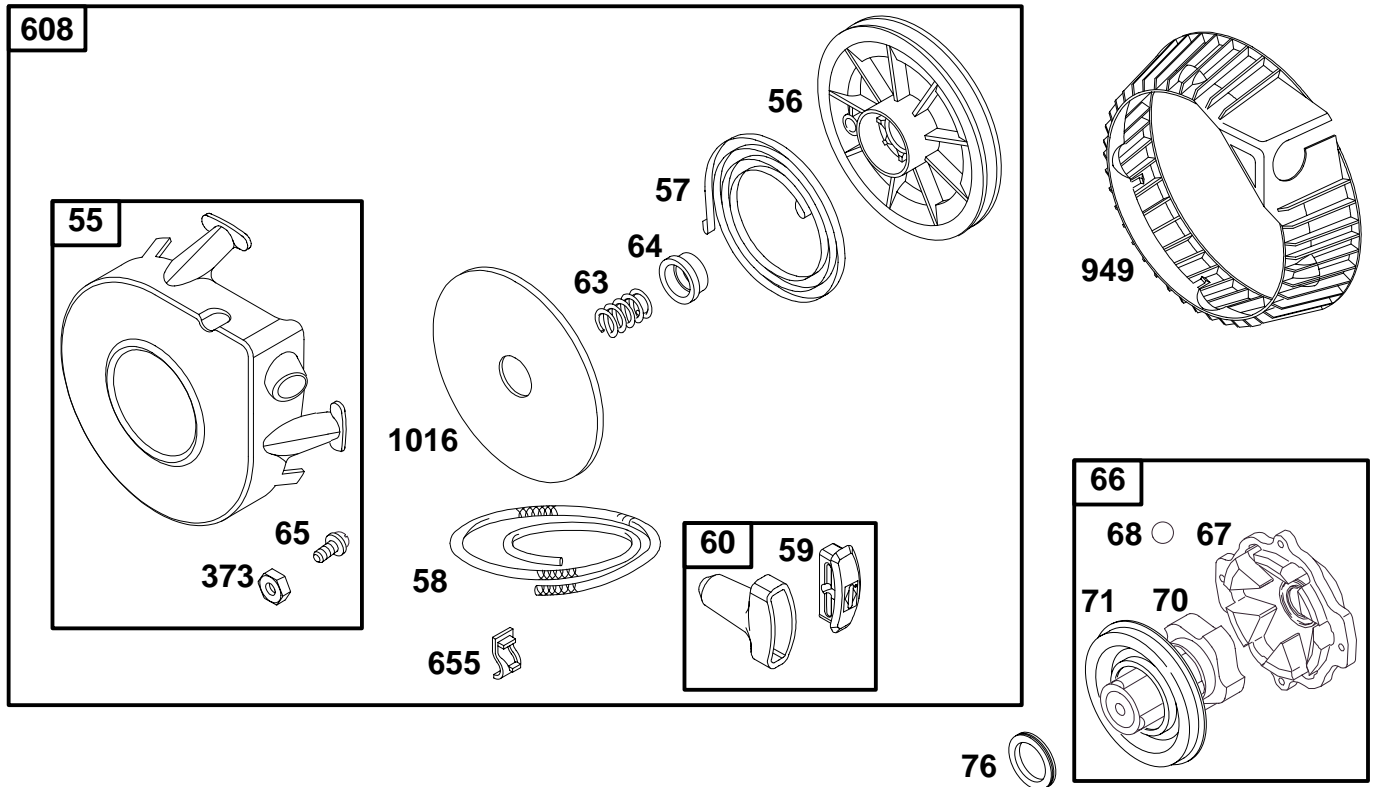
REF. NO.	PART NO.	DESCRIPTION	REF. NO.	PART NO.	DESCRIPTION	REF. NO.	PART NO.	DESCRIPTION
23	391988	Flywheel <b>Note</b> — 498910 Flywheel Used on Type No(s). 0136, 4005.	78	94626	Screw—Phillips	726	392134	Gear—Ring (Includes Mounting Hardware) <b>Note</b> — 399676 Gear—Ring (Includes Mounting Hardware) Used on Type No(s). 0136, 4005.
23A	498896	Flywheel	304	398333	Housing—Blower	727	395405	Cover—Starter Drive
37	222475	Guard—Flywheel	305	94786	Screw—Hex.			
73	224874	Screen—Rotating	332	94877	Nut—Flywheel			
73A	224517	Screen—Rotating	363	19203	Flywheel Puller			
75	224061	Washer—Flywheel	423	94073	Screw—Shoulder			
			455	222561	Cup—Flywheel			

★ Included in Gasket Set—Part Number 393411.

● Included in Carburetor Kit—Part Number 394698.

∅ Included in Valve Overhaul Gasket Set—Part No. 498539.

## 256700 to 256799



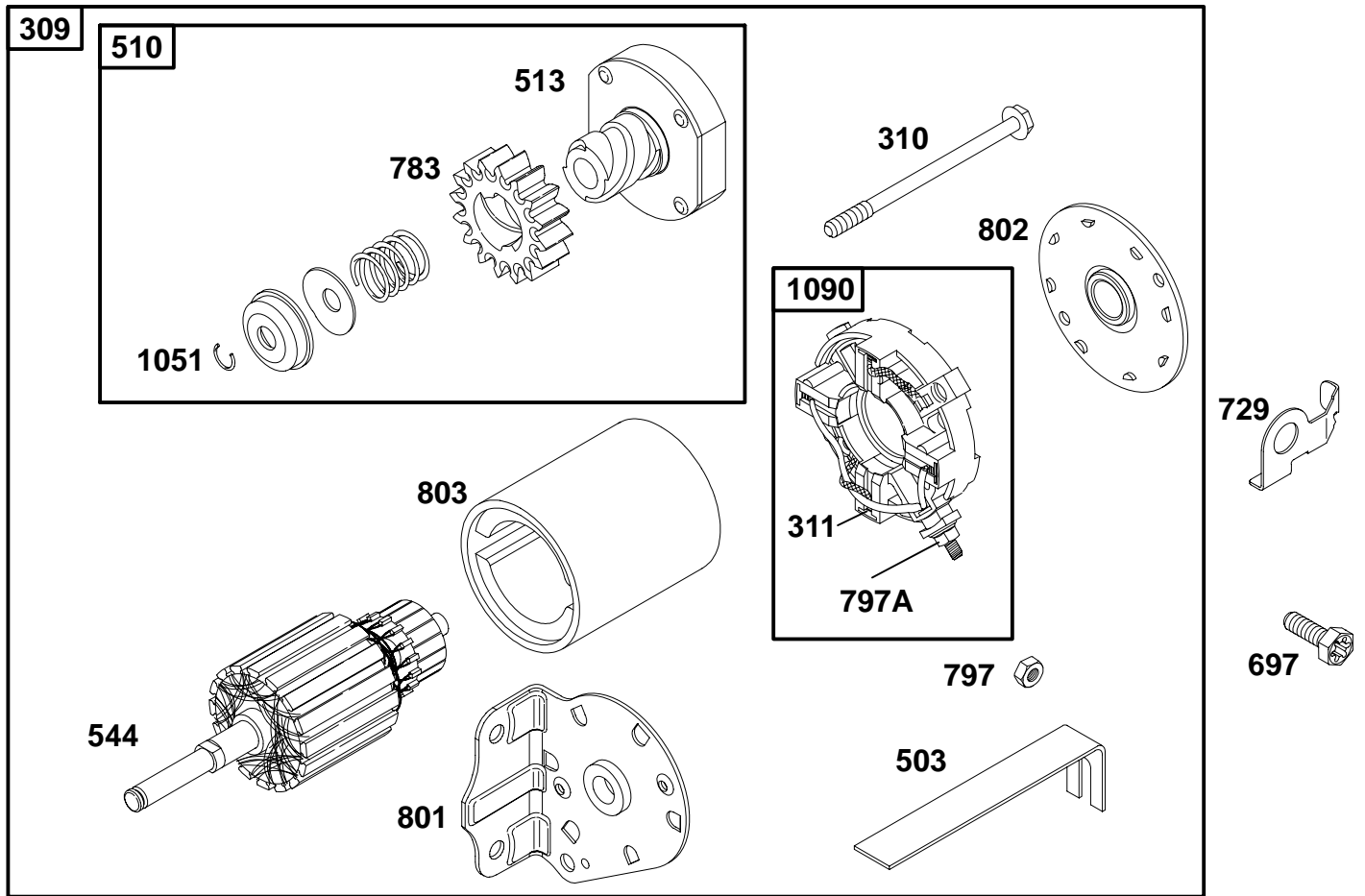
REF. NO.	PART NO.	DESCRIPTION	REF. NO.	PART NO.	DESCRIPTION	REF. NO.	PART NO.	DESCRIPTION
55	393576	Housing-Rewind Starter	59	490653	Insert-Grip	70	298799	Ratchet-Clutch
56	295871	Pulley-Starter (Includes Rope)	60	490652	Grip-Starter Rope	71	394506	Cover-Ratchet
57	490179	Spring-Rewind Starter	63	260414	Spring-Ratchet	76	68238	Seal
58	66894	Rope-Starter (Cut to Required Length)	64	281204	Adapter-Spring	373	92987	Nut-Hex.
			65	94128	Screw-Hex.	608	390391	Starter-Rewind
			66	399671	Clutch-Starter	655	222598	Anchor-Spring
			67	394897	Housing-Clutch	949	280685	Guard-Rewind
			68	63770	Ball-Clutch	1016	490817	Spacer-Rewind

★ Included in Gasket Set-Part Number 393411.

⊘ Included in Valve Overhaul Gasket Set-Part No. 498539.

● Included in Carburetor Kit-Part Number 394698.

**256700 to 256799**



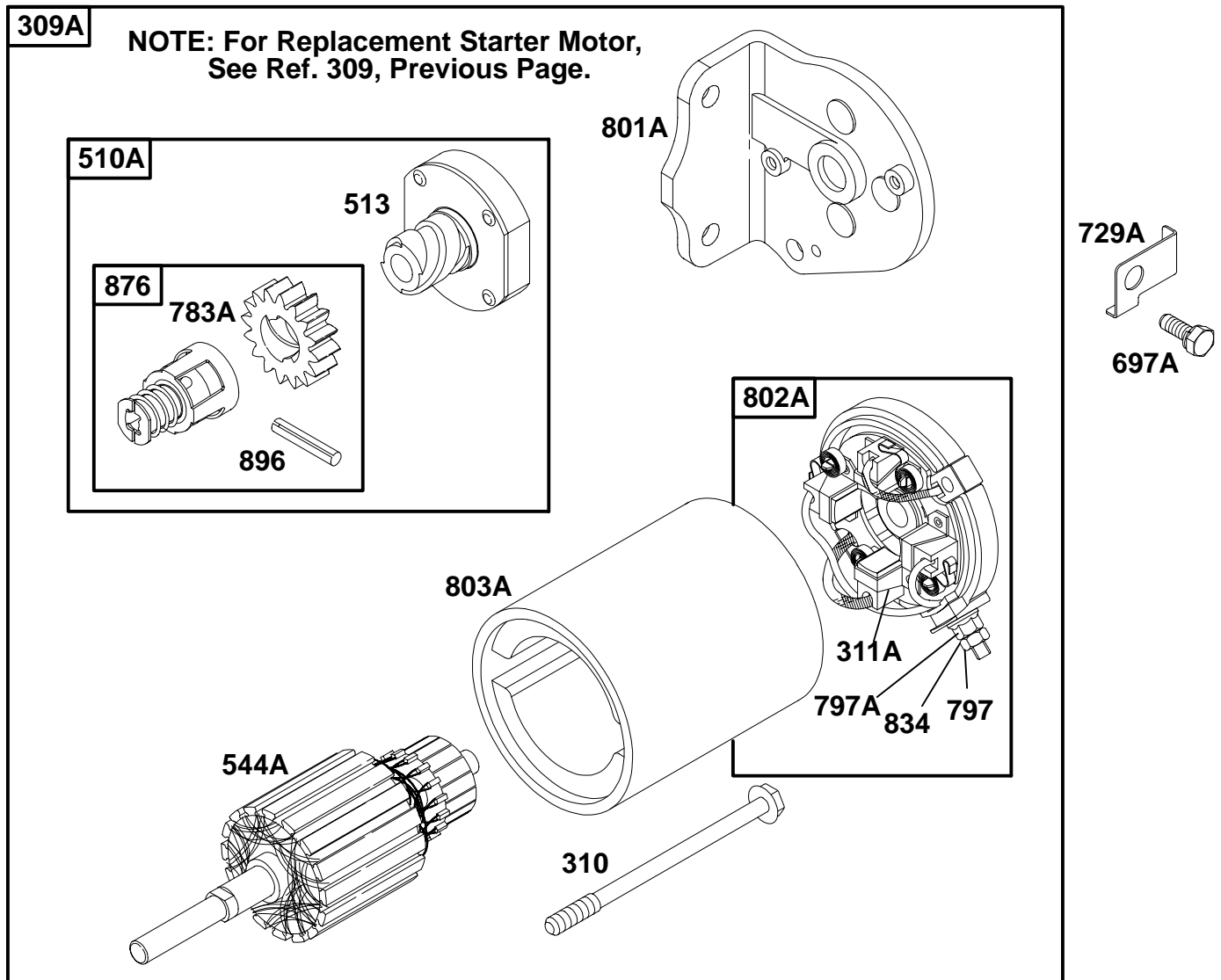
REF. NO.	PART NO.	DESCRIPTION	REF. NO.	PART NO.	DESCRIPTION	REF. NO.	PART NO.	DESCRIPTION
309	497595	Motor-Starter	697	94773	Screw (Starter Motor Mounting)	797A	693167	Nut (Starter Terminal)
310	94003	Bolt	729	225170	Clip-Wire	801	497626	Cap-Drive
311	497608	Brush Set	783	693058	Gear-Starter	802	497607	Cap-End
503	806000	Strap-Starter	797	92278	Nut (Starter Terminal)	803	497604	Housing-Starter
510	497606	Drive-Starter				1051	263080	Ring-Retaining
513	398003	Clutch-Drive				1090	497605	Retainer-Brush
544	497603	Armature-Starter						

★ Included in Gasket Set-Part Number 393411.

∅ Included in Valve Overhaul Gasket Set-Part No. 498539.

● Included in Carburetor Kit-Part Number 394698.

# 256700 to 256799

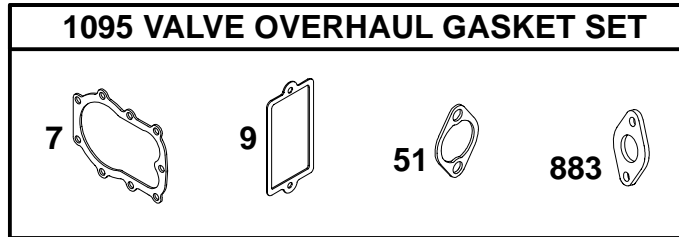
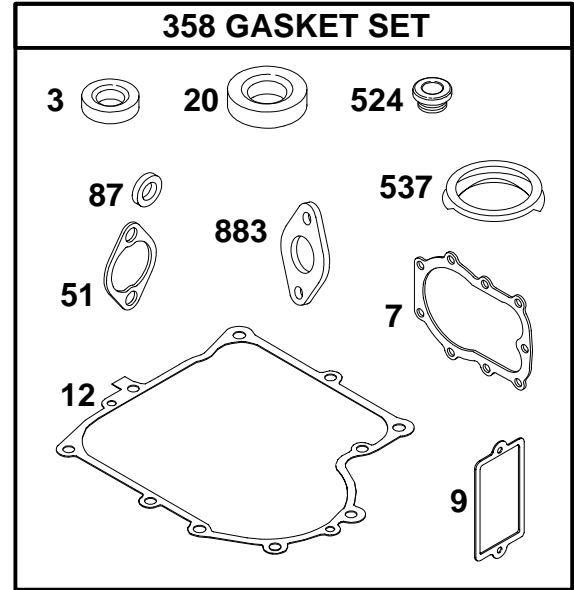
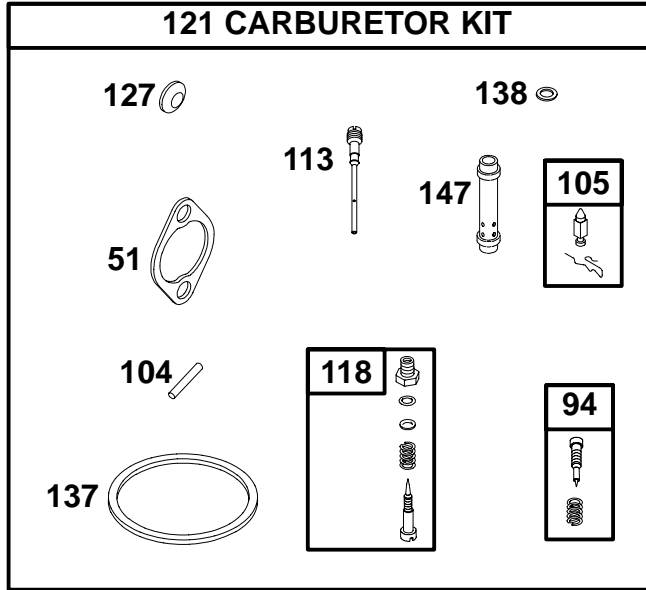


REF. NO.	PART NO.	DESCRIPTION	REF. NO.	PART NO.	DESCRIPTION	REF. NO.	PART NO.	DESCRIPTION
<b>309A</b>		Motor-Starter (For Replacement Starter Motor, See Ref 309, Previous Page.)	<b>697A</b>	<b>94627</b>	Screw (Starter Motor Mounting)	<b>801A</b>	<b>394856</b>	Cap-Drive
<b>310</b>	<b>94003</b>	Screw-Hex.	<b>729A</b>	<b>224723</b>	Clip-Wire	<b>802A</b>	<b>395537</b>	Cap-End
<b>311A</b>	<b>395538</b>	Brush Set	<b>783A</b>	<b>693059</b>	Gear-Starter	<b>803A</b>	<b>398159</b>	Housing-Starter
<b>510A</b>	<b>495878</b>	Drive-Starter	<b>797</b>	<b>92278</b>	Nut (Starter Terminal)	<b>834</b>	<b>92507</b>	Washer (Starter Terminal)
<b>513</b>	<b>398003</b>	Clutch-Drive	<b>797A</b>	<b>693167</b>	Nut (Starter Terminal)	<b>876</b>	<b>495877</b>	Kit-Gear
<b>544A</b>	<b>390837</b>	Armature-Starter				<b>896</b>	<b>94288</b>	Pin-Drive Retainer

★ Included in Gasket Set-Part Number 393411.

⊘ Included in Valve Overhaul Gasket Set-Part No. 498539.

● Included in Carburetor Kit-Part Number 394698.



REF. NO.	PART NO.	DESCRIPTION	REF. NO.	PART NO.	DESCRIPTION	REF. NO.	PART NO.	DESCRIPTION
3	★391086	Seal-Oil	20	★291675	Seal-Oil	138	●222014	Washer
7	∅★271866	Gasket-Cylinder Head	51	∅★272554	Gasket-Intake	147	●231323	Nozzle-Carburetor
9	∅★27803	Gasket-Breather	87	★491323	Seal-Governor Shaft	358	393411	Gasket Set
12	★271702	Gasket-Crankcase (.015" Thick, Standard)	94	●292681	Kit-Idle Mixture	524	★281370	Seal-Fill Tube
— <b>Note</b> —			104	●231435	Pin-Float Hinge	537	★270853	Gasket-Air Cleaner
	★270915	Gasket-Crankcase (.005" Thick)	105	●394681	Valve-Needle	883	∅★272293	Gasket-Exhaust
	★270916	Gasket-Crankcase (.009" Thick)	113	●299740	Nozzle-Carburetor	1095	498539	Gasket Set-Valve Overhaul
			118	●396568	Valve-High Speed			
			121	394698	Carburetor Kit			
			127	●221997	Plug-Welch			
			137	●270511	Gasket-Float Bowl			

★ Included in Gasket Set-Part Number 393411.  
● Included in Carburetor Kit-Part Number 394698.

∅ Included in Valve Overhaul Gasket Set-Part No. 498539.