

253700 to 253799

Illustrated Parts List

Model Series

253700 to 253799

TYPE NUMBERS
0015 through 0032,
0111 through 0231,
0246 through 0254,
0315, 0316, 0318,
0325 through 0328,
0400,
0406 through 0433,
4005.

TO FIND

THE CORRECT NUMBER OF THE PART YOU NEED: FOLLOW THE INSTRUCTIONS BELOW

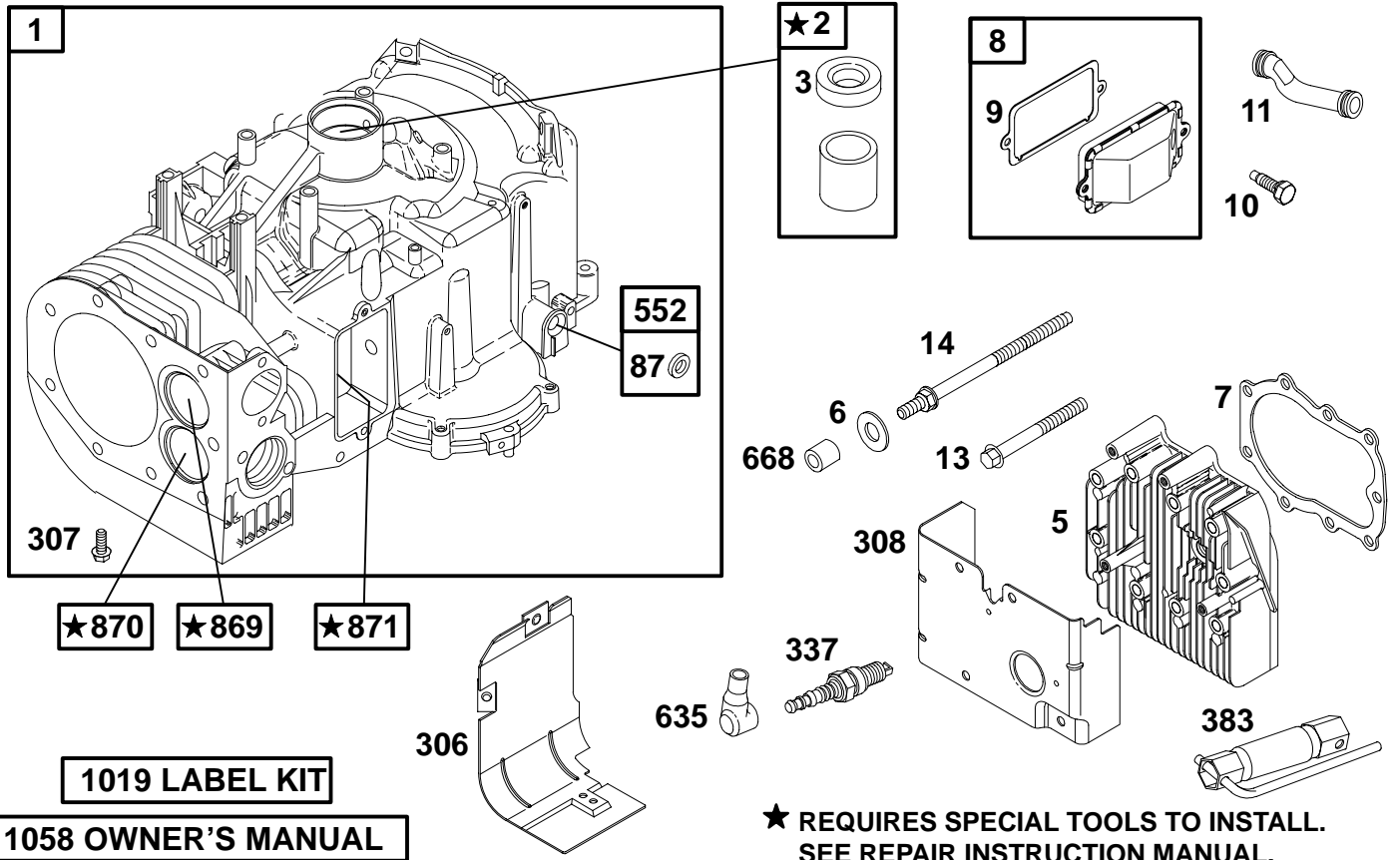
- A. Refer to Engine Model, Type and Code Number that is stamped on the blower housing of engine. Engine type numbers such as 0123 01 are listed only as 0123 in most instances. The two digits (01 or 02, etc.) to the right of the space may be required for more accurate parts identification in some instances. Select the Illustrated Parts List covering the correct Model Series and Type Number.
- B. Refer to the Illustrations and compare the original part with Illustration. The number next to the illustration is the Reference Number. Assemblies include all parts shown in frames. All parts shown in assembly frames having individual reference numbers can be purchased separately.
- C. After the Reference Number has been identified, refer to the Numerical text, where Reference and Primary Part Number are listed. **THE PRIMARY PART IS USED ON ALL TYPE NUMBERS EXCEPT THOSE TYPE NUMBERS UNDER "NOTE."**
- D. If a "Note" appears below the Primary Part Number, it means that this part differs from the Primary Part for certain types. If your Type number is listed under "Note," order the part referred to at the "Note."
- E. If your Engine Type Number does not appear after any part number listed under "Note," use the Primary Part Number.
- F. For Engine Type Numbers not covered by this book, check other Parts Lists having the same engine model or contact your source of supply.

PRINTED IN U.S.A.



COPYRIGHT by BRIGGS & STRATTON CORPORATION
All rights reserved. No part of this material may be reproduced or transmitted, in any form or by any means, electronic or mechanical, including photocopying, recording or by any information storage and retrieval system, without permission in writing from Briggs & Stratton Corporation.

253700 to 253799

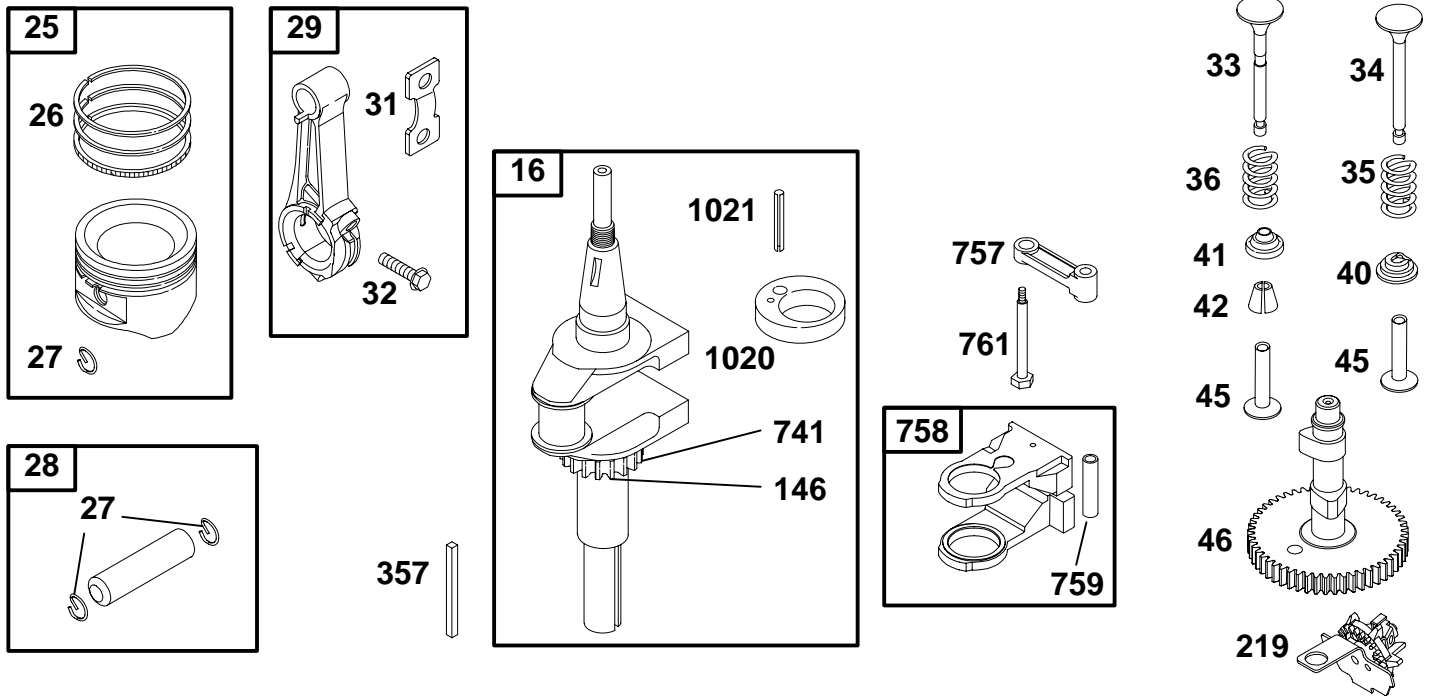


| REF. NO. | PART NO. | DESCRIPTION | REF. NO. | PART NO. | DESCRIPTION | REF. NO. | PART NO. | DESCRIPTION |
|----------|----------|---|----------|-------------|---|----------|----------|------------------------------|
| 1 | 495729 | Cylinder Assembly | 14 | 94776 | Stud-Hex. Drive | 383 | 89838 | Wrench-Spark Plug |
| 2 | 399265 | Bushing/Seal Kit | 87 | 491323 | Seal-Gov. Shaft | 552 | 491986 | Bushing-Governor Crank |
| 3 | ★391086 | Seal-Oil | 306 | 224882 | Shield-Cylinder | 635 | 66538 | Boot-Spark Plug |
| 5 | 212914 | Head-Cylinder | | Note | | 668 | 231186 | Spacer |
| 6 | 22963 | Washer-Flat | | 224542 | Shield-Cyl. Used on Type No(s). 0105, 0116, 0123, 0125, 0133, 0135, 0138, 0419. | 869 | 261463 | Seat-Valve (Intake) |
| 7 | ∅★271866 | Gasket-Cylinder Head | 307 | 94930 | Screw-Hex. | 870 | 262924 | Seat-Valve (Exhaust) |
| 8 | 495735 | Breather Assembly | 308 | 224897 | Cover-Cylinder | 871 | 261961 | Bushing-Guide |
| | | Note | 337 | 298809 | Plug-Spark (1 1/2" High) | | | Note |
| | | 495734 Breather Assy. Used on Type No(s). 0144, 0155, 0171, 0172, 0189, 0190, 0246, 0250. | | Note | | | | 231218 Bushing-Guide (Brass) |
| 9 | ∅★27803 | Gasket-Breather | | 802592 | Plug-Spark (1 27/32" High, Resistor Type) | 1019 | 491254 | Label Kit |
| 10 | 94621 | Screw-Hex. | | | | 1058 | 270862 | Owner's Manual |
| 11 | 280100 | Tube-Breather | | | | | | |
| 13 | 94622 | Screw-Hex. | | | | | | |

★ Included in Gasket Set-Part No. 393411.
● Included in Carburetor Kit-Part No. 394698.

∅ Included in Valve Overhaul Gasket Set-Part No. 498537.

253700 to 253799

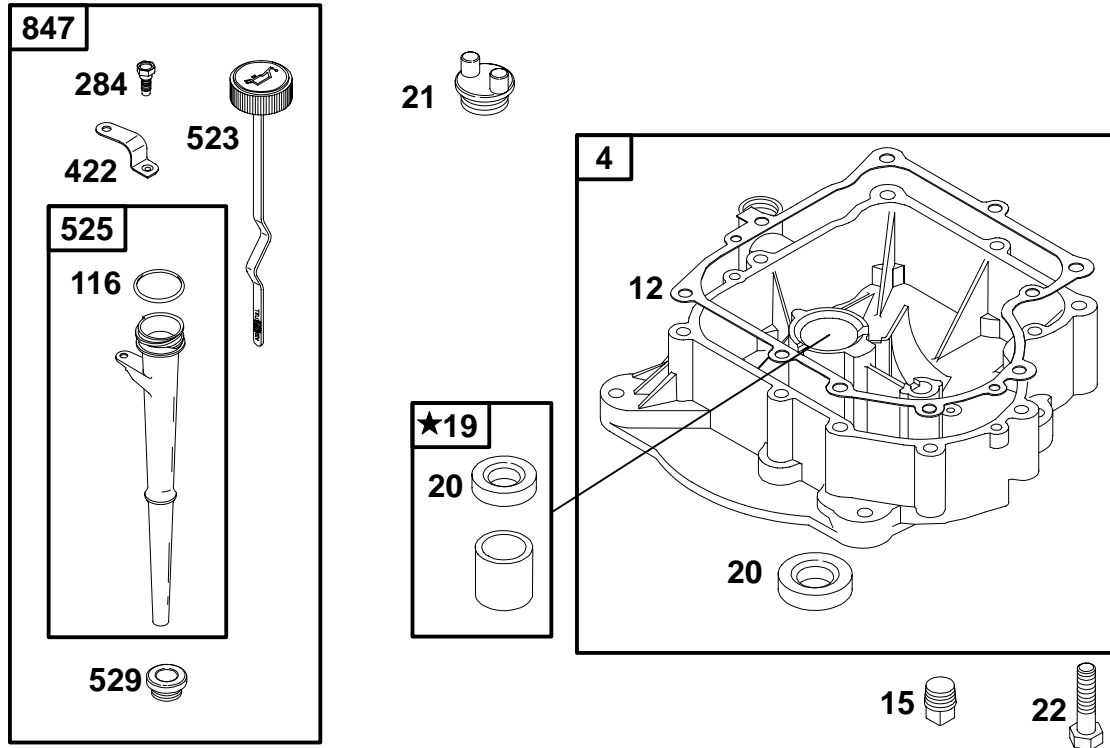


| REF. NO. | PART NO. | DESCRIPTION | REF. NO. | PART NO. | DESCRIPTION | REF. NO. | PART NO. | DESCRIPTION |
|----------|----------|--|----------|----------|--|----------|----------|---|
| 16 | 498994 | Crankshaft (Used After Code Date 88071800). Note _____ 498993 Crankshaft (Used Before Code Date 88071900). Used on Type No(s). 0027, 0163, 0172, 0181, 0183, 0216, 0230, 0327, 0417. | 27 | 260924 | Lock-Piston Pin | 219 | 490815 | Governor/Oil Slinger |
| 25 | 394661 | Piston Assembly (Standard) Note _____ 394662 Piston Assy. (.010" O.S.) 394663 Piston Assy. (.020" O.S.) 394664 Piston Assy. (.030" O.S.) | 28 | 299691 | Pin-Piston (Standard) Note _____ 391286 Pin-Piston (.005" O.S.) | 357 | 91540 | Key-Drive Pulley |
| 26 | 391780 | Ring Set (Standard) Note _____ 392331 Ring Set (Standard Chrome) 391781 Ring Set (.010" O.S.) 391782 Ring Set (.020" O.S.) 391783 Ring Set (.030" O.S.) | 29 | 490348 | Rod-Connecting (Standard) Note _____ 490469 Rod-Connecting (.020" Undersize) | 741 | 262932 | Gear-Timing (Used with Woodruff Timing Key) Note _____ 261196 Gear-Timing (Used with Dowel Pin Timing Key) |
| | | | 31 | 222299 | Lock-Rod Screw | 757 | 213998 | Link-Counterweight |
| | | | 32 | 94671 | Screw-Conn. Rod | 758 | 391373 | Counterweight |
| | | | 33 | 261185 | Valve-Exhaust | 759 | 230787 | Pin-Counterweight |
| | | | 34 | 261462 | Valve-Intake | 761 | 94593 | Screw-Hex. |
| | | | 35 | 65906 | Spring-Valve | 1020 | 261242 | Eccentric |
| | | | 36 | 26828 | Spring-Valve | 1021 | 94853 | Pin-Eccentric |
| | | | 40 | 221596 | Retainer-Valve | | | |
| | | | 41 | 292260 | Retainer-Valve Note _____ 68293 Retainer-Valve Used on Type No(s). 0030, 0031, 0032. | | | |
| | | | 42 | 494553 | Keeper-Valve | | | |
| | | | 45 | 262248 | Tappet-Valve | | | |
| | | | 46 | 212897 | Gear-Cam | | | |
| | | | 146 | 94196 | Key-Timing (Woodruff) Note _____ 231086 Key-Timing (Dowel Pin) | | | |

★ Included in Gasket Set-Part No. 393411.
● Included in Carburetor Kit-Part No. 394698.

∅ Included in Valve Overhaul Gasket Set-Part No. 498537.

253700 to 253799



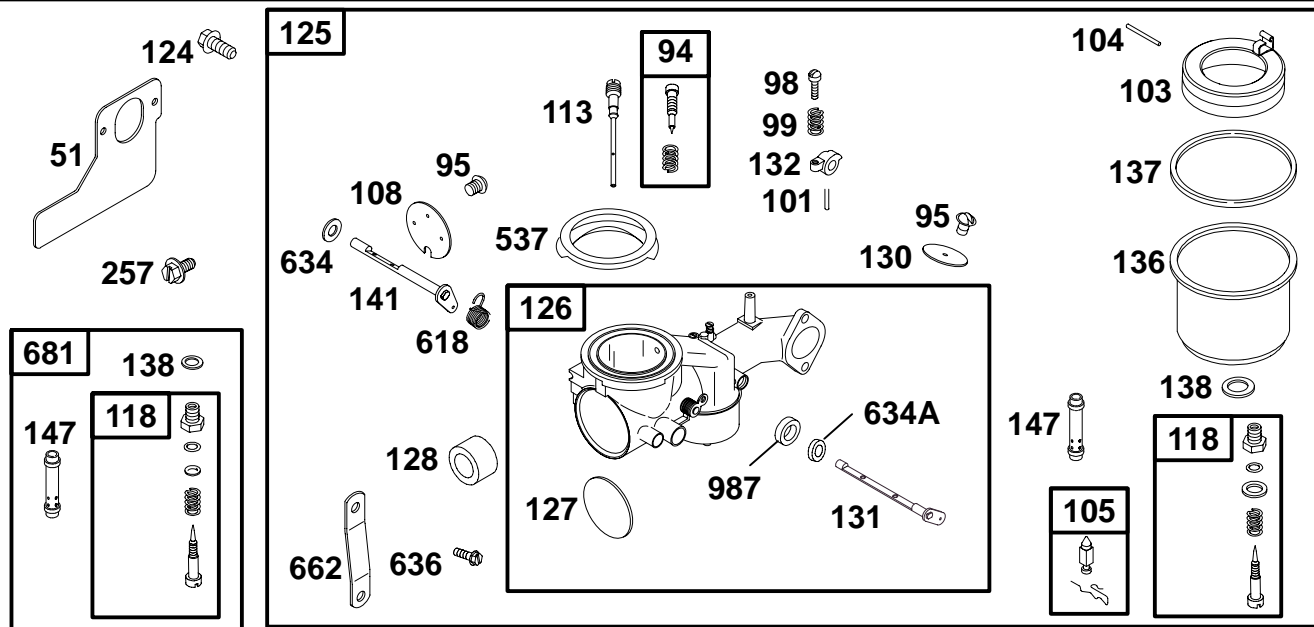
**★ REQUIRES SPECIAL TOOLS TO INSTALL.
SEE REPAIR INSTRUCTION MANUAL.**

| REF. NO. | PART NO. | DESCRIPTION | REF. NO. | PART NO. | DESCRIPTION | REF. NO. | PART NO. | DESCRIPTION |
|----------|----------|---|----------|----------|---------------------------|----------|----------|-------------------------------|
| 4 | 391784 | Sump-Engine | 22 | 93585 | Screw-Hex. | 525 | 280134 | Tube-Oil Fill |
| 12 | ★271702 | Gasket-Crankcase (.015" Thick, Standard) | 116 | ★270920 | Seal-O-Ring | | | Note |
| | | Note | 284 | 94874 | Screw-Hex. | | | 497419 Tube-Oil Fill |
| | | ★270915 Gasket-Crankcase (.005" Thick) | 422 | 224872 | Bracket-Oil Fill | | | Used on Type No(s). 0155. |
| | | ★270916 Gasket-Crankcase (.009" Thick) | | | Note | 529 | ★281370 | Seal-Fill Tube |
| 15 | 94239 | Plug-Oil Drain | | | 223559 Bracket-Oil Fill | 847 | 392067 | Dipstick/Tube Assembly |
| 19 | 490666 | Bushing/Seal Kit | | | Used on Type No(s). 0155. | | | Note |
| 20 | ★291675 | Seal-Oil | 523 | 495229 | Dipstick | | | 398376 Dipstick/Tube Assembly |
| 21 | 66768 | Plug-Oil Fill | | | Note | | | Used on Type No(s). 0155. |
| | | | | | 398331 Dipstick | | | |
| | | | | | Used on Type No(s). 0155. | | | |

★ Included in Gasket Set-Part No. 393411.
● Included in Carburetor Kit-Part No. 394698.

∅ Included in Valve Overhaul Gasket Set-Part No. 498537.

253700 to 253799

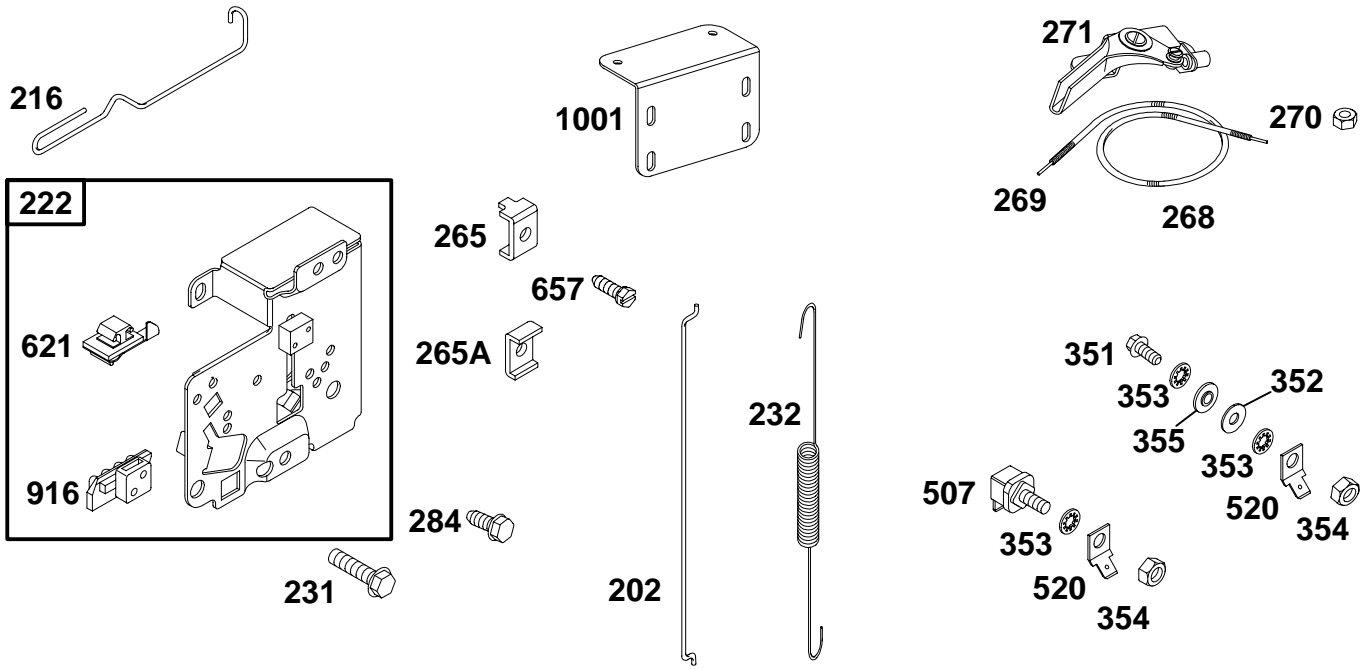


| REF. NO. | PART NO. | DESCRIPTION | REF. NO. | PART NO. | DESCRIPTION | REF. NO. | PART NO. | DESCRIPTION | |
|----------|----------|---|----------|----------|---|---------------------|----------|---|------------|
| 51 | 498869 | Gasket-Carb Mounting | | 491028 | Carburetor (Remote & Manual Choke) | | | 0413, 0414, 0415, 0416, 0417, 0418, 0420, 0421, 0422, 0424, 0425, 0429, 0430, 0431, 0432, 0433, 4005. | |
| 94 | 292681 | Kit-Idle Mixture | | | | | | 394038 Body Assembly-Upper Used on Type No(s). 0144, 0155, 0171, 0189, 0190, 0246, 0250. | |
| 95 | 93499 | Screw-Choke/Throttle | | 491029 | Carburetor (Choke A Matic®) Used on Type No(s). 0155. | 127 | 221997 | Plug-Welch | |
| 98 | 91920 | Screw-Slotted | | 490149 | Carburetor (Remote Choke) Used on Type No(s). 0144, 0171, 0189, 0190, 0246, 0250. | 128 | 211960 | Venturi-Carburetor | |
| 99 | 26157 | Spring-Friction | | 490472 | Carburetor (Remote Choke) Used on Type No(s). 0325. | 130 | 222433 | Valve-Throttle | |
| 101 | 93043 | Pin-Throttle Lever | | | | 131 | 491006 | Throttle Shaft Kit | |
| 103 | 299707 | Float-Carburetor | | | | 132 | 211712 | Stop-Throttle | |
| 104 | 231435 | Pin-Float Hinge | | 126 | 391787 | Body Assembly-Upper | 136 | 221995 | Bowl-Float |
| 105 | 394681 | Valve-Needle (Gravity Feed) | | | | | | Note 299647 Shaft-Choke (Manual Choke) | |
| | | Note | | | | | | | |
| | | 394683 Valve-Needle (Pump Feed) | | | | | | | |
| 108 | 222010 | Valve-Choke | | 490473 | Body Assembly-Upper Used on Type No(s). 0213, 0218, 0220, 0223, 0315, 0316, 0318, 0326, 0327, 0328, 0400, 0408, 0409, 0410, 0413, 0414, 0415, 0416, 0417, 0418, 0420, 0421, 0422, 0424, 0425, 0429, 0430, 0431, 0432, 0433, 4005. | 137 | 270511 | Gasket-Float Bowl | |
| 113 | 299740 | Nozzle-Carburetor | | | | 138 | 222014 | Washer | |
| 118 | 396568 | Valve-High Speed | | | | 141 | 390684 | Shaft-Choke | |
| 124 | 94913 | Screw-Torx® Hex. | | | | | | Note | |
| 125 | 491026 | Carburetor Assembly (Choke A Matic®) | | | | 147 | 231323 | Nozzle-Carburetor | |
| | | Note | | | | 257 | 93543 | Screw-Slotted | |
| | | 491031 Carburetor (Choke A Matic®) Used on Type No(s). 0213, 0218, 0220, 0223, 0315, 0316, 0318, 0326, 0327, 0328, 0400, 0408, 0409, 0410, 0413, 0414, 0415, 0416, 0417, 0418, 0420, 0421, 0422, 0424, 0425, 0429, 0430, 0431, 0432, 0433, 4005. | | | | 537 | 270853 | Gasket-Air Cleaner | |
| | | | | | | 618 | 261116 | Spring | |
| | | | | | | 634 | 270382 | Washer | |
| | | | | | | 634A | 271013 | Washer-Seal (Foam) | |
| | | | | | | 636 | 94874 | Screw-Hex. | |
| | | | | | | 662 | 224440 | Bracket-Carburetor | |
| | | | | | | 681 | 396795 | Nozzle-Carburetor | |
| | | | | | | 987 | 398970 | Seal-Throttle Shaft | |

★ Included in Gasket Set-Part No. 393411.
● Included in Carburetor Kit-Part No. 394698.

Ø Included in Valve Overhaul Gasket Set-Part No. 498537.

253700 to 253799

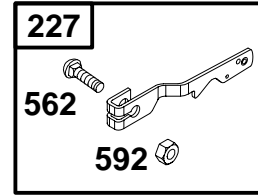
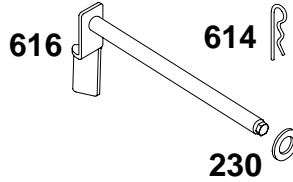
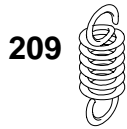


| REF. NO. | PART NO. | DESCRIPTION | REF. NO. | PART NO. | DESCRIPTION | REF. NO. | PART NO. | DESCRIPTION |
|----------|----------|---|----------|----------|--|----------|----------|--|
| 202 | 262348 | Link-Mechanical Governor (Used After Code Date 87030100). —— Note —— 261609 Link-Mech. Governor (Used After Code Date 82110211 and Before Code Date 87030200). 261198 Link-Choke (Used Before Code Date 82110311). | 231 | 94627 | Screw (Control Bracket) | | | 0130, 0143, 0144, 0148, 0154, 0160, 0163, 0168, 0171, 0178, 0181, 0183, 0184, 0187, 0188, 0208, 0211. |
| | | | 232 | 260584 | Spring-Link (Used After Code Date 82110211). —— Note —— 261197 Spring-Link (Used Before Code Date 82110311). | 352 | 66068 | Washer-Fiber |
| | | | 265 | 221535 | Clamp-Casing | 353 | 92791 | Washer-Lock |
| | | | 265A | 22372 | Clamp-Casing | 354 | 90576 | Nut-Hex. |
| | | | 268 | 65616 | Casing-Wire (Cut to Required Length) | 355 | 66554 | Washer-Fiber |
| 216 | 261610 | Link-Choke (Used After Code Date 82110211). —— Note —— 261274 Link-Choke (Used Before Code Date 82110311). | 269 | 26633 | Wire-Control (Cut to Required Length) | 507 | 398525 | Insulator |
| | | | 270 | 63426 | Locknut-Casing | 520 | 93722 | Terminal |
| | | | 271 | 290568 | Lever-Control | 657 | 94906 | Screw-Slotted Hex. |
| | | | 284 | 94874 | Screw-Hex. (Used After Code Date 83042100). —— Note —— 94882 Screw-Hex. (Used Before Code Date 83042200). | 621 | 396847 | Switch-Stop (Used After Code Date 85041400). —— Note —— 297472 Switch-Stop (Used Before Code Date 85041500). |
| 222 | 491594 | Bracket-Control (Choke A Matic®) —— Note —— 491593 Bracket-Control (Remote & Manual Choke) 396349 Bracket-Control (Used Before Code Date 82110311). | 351 | 93735 | Screw-Slotted —— Note —— 91920 Screw-Slotted Used on Type No(s). 0015, 0016, 0020, 0025, 0026, 0028, | 916 | 280324 | Rack-Governor Gear (Choke A Matic®) —— Note —— 280321 Rack-Governor Gear (Remote & Manual Choke) |
| | | | | | | 1001 | 223680 | Bracket-Support |

★ Included in Gasket Set-Part No. 393411.
● Included in Carburetor Kit-Part No. 394698.

∅ Included in Valve Overhaul Gasket Set-Part No. 498537.

253700 to 253799

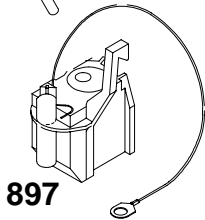
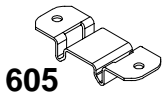
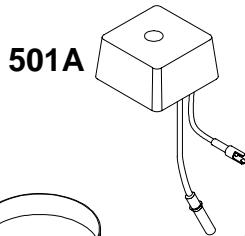
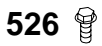
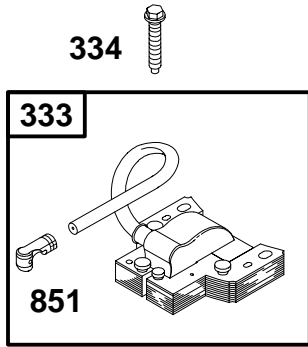


| REF. NO. | PART NO. | DESCRIPTION | REF. NO. | PART NO. | DESCRIPTION | REF. NO. | PART NO. | DESCRIPTION | | | | | | | | | | | | | | | | |
|------------|---------------|---|----------|----------|--|----------|----------|-------------|---------------|---|--------------|-------------|------------|--------------|---------------------|------------|---------------|----------|------------|--------------|------------|------------|---------------|----------------|
| 209 | 260871 | Spring–Governor (Used After Code Date 87030100). 261129 Spring–Gov. (Used Before Code Date 87030200). ———— Note ———— 261126 Spring–Gov. (Used After Code Date 87030100). Used on Type No(s). 0027, 0030, 0152, 0180, 0188, 0196, 0202, 0223, 0230, 0327, 0433. 261130 Spring–Gov. (Used After Code Date 87030100). Used on Type No(s). 0031, 0032, 0179, 0184, 0199. 260695 Spring–Gov. (Used After Code Date 87030100). Used on Type No(s). 0026, 0121, 0122, 0130, 0131, 0135, 0137, 0143, 0154, 0155, 0156, 0157, 0158, 0159, 0160, 0163, 0167, 0168, 0170, 0171, 0172, 0173, 0177, 0178, 0181, 0182, 0183, 0187, 0195, 0197, 0200, 0201, 0204, 0206, 0208, 0209, 0211, 0212, 0213, 0216, 0217, 0218, 0220, 0221, 0222, 0224, 0229, 0246, 0247, 0248, 0249, | | | 0250, 0253, 0326, 0406, 0407, 0408, 0409, 0410, 0411, 0417, 0418, 0419, 0421, 0423, 0425, 0428, 0429. 261306 Spring–Gov. (Used Before Code Date 87030200). Used on Type No(s). 0026, 0027, 0121, 0122, 0130, 0131, 0135, 0137, 0143, 0152, 0154, 0155, 0156, 0157, 0158, 0159, 0160, 0163, 0167, 0168, 0170, 0171, 0172, 0173, 0177, 0178, 0180, 0181, 0182, 0183, 0184, 0187, 0188, 0195, 0196, 0197, 0199, 0200, 0201, 0202, 0204, 0206, 0208, 0209, 0211, 0212, 0213, 0216, 0217, 0218, 0220, 0221, 0222, 0223, 0224, 0229, 0230, 0246, 0247, 0248, 0249, 0250, 0253, 0326, 0327, 0406, 0407, 0408, 0409, 0410, 0411, 0417, 0418, 0419, 0421, 0423, 0425, 0428, 0429. 260871 Spring–Gov. (Used Before Code Date 87030200). Used on Type No(s). 0031, 0032, 0179. | | | 227 | 490927 | Lever–Governor (Used After Code Date 87030100). ———— Note ———— 391733 Lever– Gov. (Used Before Code Date 87030200). 230 | 94927 | Washer–Flat | 562 | 94907 | Bolt–Governor Lever | 592 | 231978 | Nut–Hex. | 614 | 93306 | Pin–Cotter | 616 | 495157 | Crank–Governor |

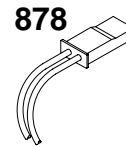
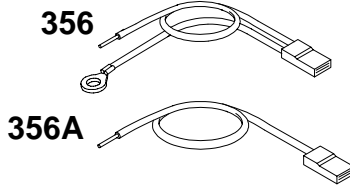
★ Included in Gasket Set–Part No. 393411.
● Included in Carburetor Kit–Part No. 394698.

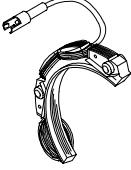



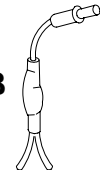
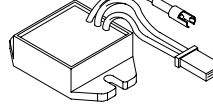
∅ Included in Valve Overhaul Gasket Set–Part No. 498537.

253700 to 253799



NOTE: ALL STATORS USE NO. 482 MOUNTING SCREW. 

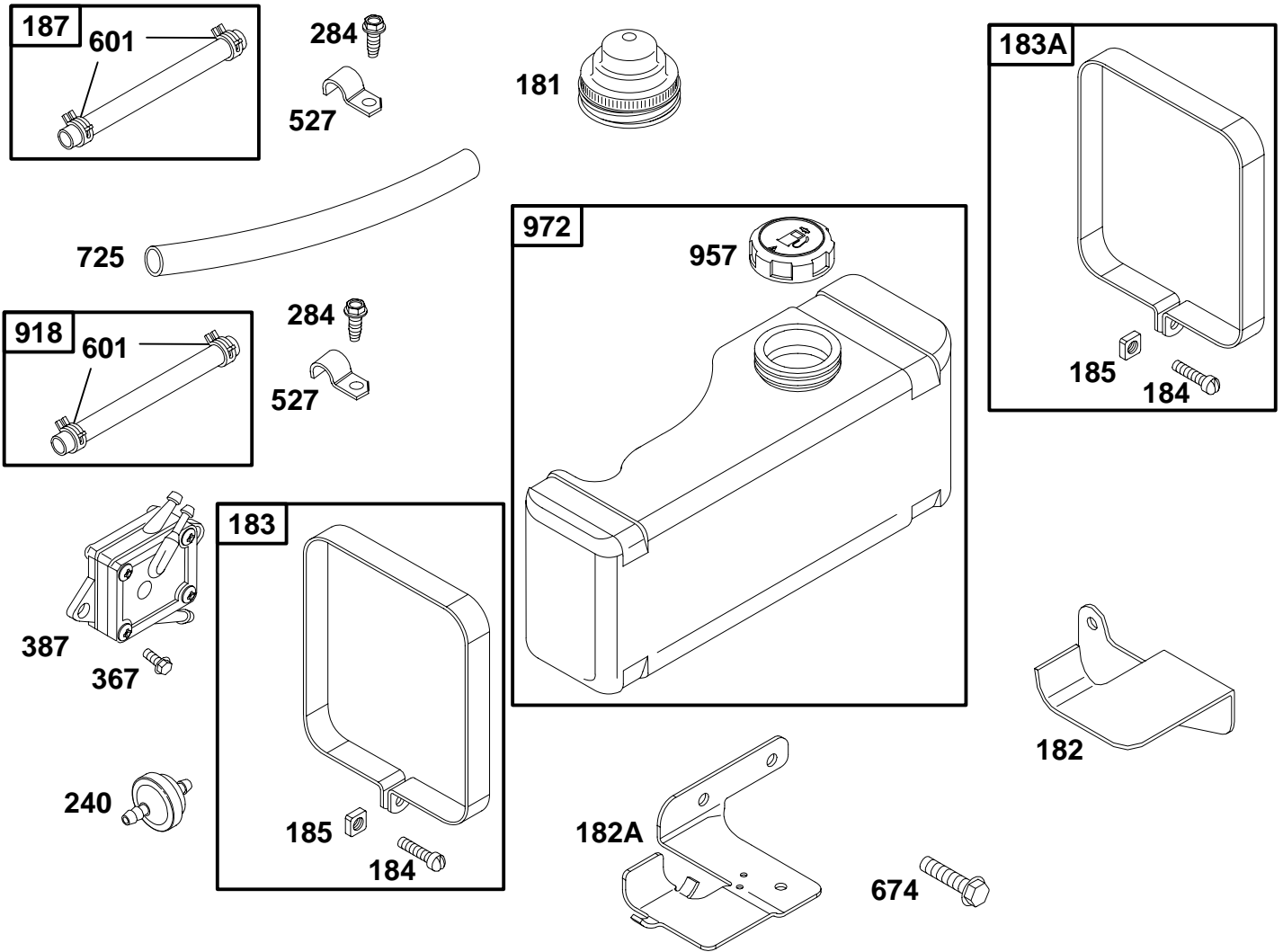


| DC ONLY | DUAL CIRCUIT | TRI-CIRCUIT | 10 AMP |
|---|---|--|--|
| 474  | 474A  | 474B  | 474C  |
| | | 878B  | 501  |

| REF. NO. | PART NO. | DESCRIPTION | REF. NO. | PART NO. | DESCRIPTION | REF. NO. | PART NO. | DESCRIPTION | |
|----------|----------|------------------|----------|----------|---------------------|------------|----------|------------------------|--------------------|
| 333 | 398811 | Armature-Magneto | 501 | 394890 | Regulator | 605 | 222934 | Bracket-Mounting | |
| 334 | 94731 | Screw-Hex. | | | Note | 851 | 493880 | Terminal-Cable | |
| 356 | 398808 | Wire-Stop | | | 397809 | Regulator | 841 | 393514 | Clamp |
| 356A | 494328 | Wire-Stop | | | Used on Type No(s). | 877 | 393814 | Wire-Alternator | |
| 474 | 391529 | Alternator | | | 0172, 0230. | 877A | 393456 | Wire-Alternator | |
| 474A | 393474 | Alternator | 501A | 491546 | Regulator | 877B | 393537 | Wire-Alternator | |
| 474B | 392595 | Alternator | 526 | 93343 | Screw-Hex. | 877C | 399916 | Wire-Alternator | |
| 474C | 393295 | Alternator | | | Note | 878 | 393362 | Harness-Alternator | |
| 482 | 93621 | Screw-Hex. | | | 94137 | Screw-Hex. | 878B | 392606 | Harness-Alternator |
| | | | | | Used on Type No(s). | 897 | 394970 | Magnetron Ignition Kit | |
| | | | | | 0172, 0230, 4005. | | | | |

★ Included in Gasket Set-Part No. 393411.
 ● Included in Carburetor Kit-Part No. 394698.

∅ Included in Valve Overhaul Gasket Set-Part No. 498537.

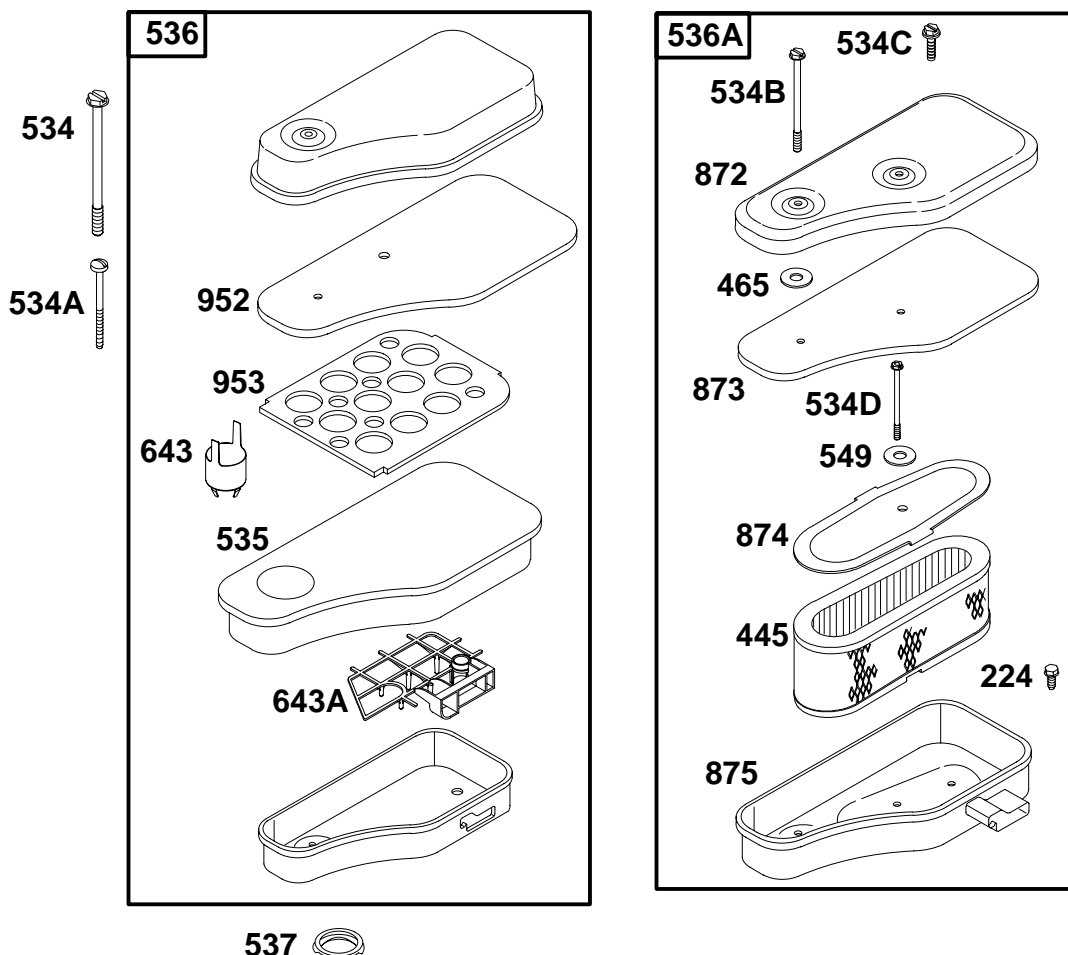


| REF. NO. | PART NO. | DESCRIPTION | REF. NO. | PART NO. | DESCRIPTION | REF. NO. | PART NO. | DESCRIPTION |
|----------|----------|--|----------|----------|--|----------|----------|--|
| 6 | 22963 | Washer-Flat (Qty. 4) (Used on Rewind Start Engines Only) | 183A | 496852 | Strap-Fuel Tank (L.H.) | 527 | 221428 | Clamp-Tube |
| | | Note | 184 | 94286 | Screw-Hex. | 601 | 93053 | Clamp-Hose |
| | | 22776 Washer-Flat (Qty. 2) (Used on Electric Start Engines) | 185 | 90970 | Nut | 674 | 94627 | Screw (Fuel Tank Bracket, 3/4" Long) |
| 181 | 392305 | Cap-Fuel Tank | 186 | 67218 | Connector-Hose | | | Note |
| 182 | 222980 | Bracket-Fuel Tank (R.H.) | 187 | 299146 | Line-Fuel (Cut to Required Length) | | | 93634 Screw (Fuel Tank Bracket, 7/8" Long) |
| 182A | 224884 | Bracket-Fuel Tank (L.H.) | 240 | 298090 | Filter-Fuel | 725 | 222175 | Shield-Heat |
| 183 | 496853 | Strap-Fuel Tank (R.H.) | | | Note | 918 | 393815 | Hose-Vacuum (Cut to Required Length) |
| | | | 284 | 94874 | Screw-Hex. | 957 | 493988 | Cap-Fuel Tank |
| | | | 367 | 93380 | Screw-Hex. | 972 | 390225 | Tank-Fuel (3 Quart) |
| | | | 387 | 494280 | Pump-Fuel | | | |

★ Included in Gasket Set-Part No. 393411.
● Included in Carburetor Kit-Part No. 394698.

∅ Included in Valve Overhaul Gasket Set-Part No. 498537.

253700 to 253799

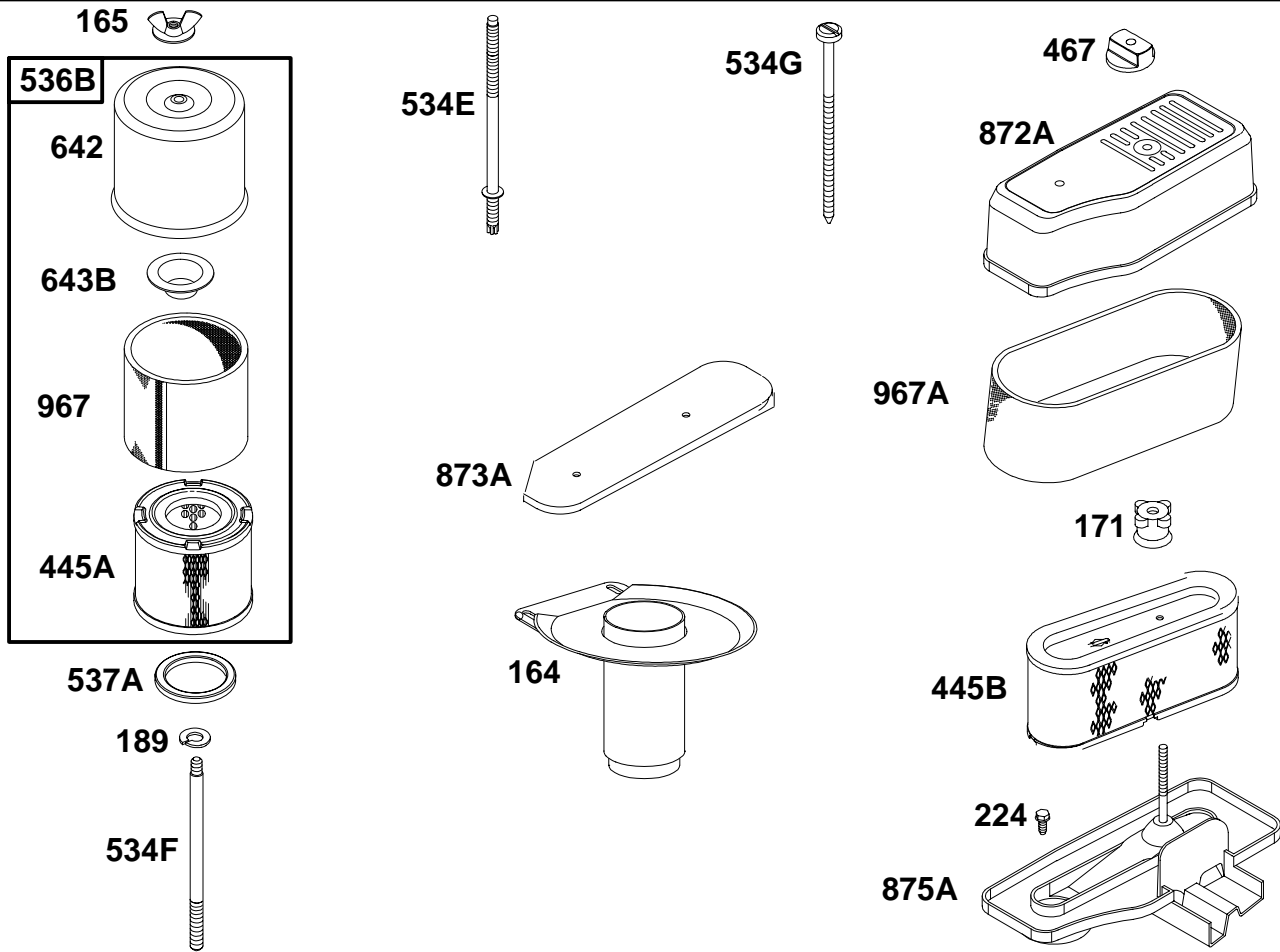


| REF. NO. | PART NO. | DESCRIPTION | REF. NO. | PART NO. | DESCRIPTION | REF. NO. | PART NO. | DESCRIPTION |
|----------|----------|----------------------|----------|----------|---------------------|----------|----------|----------------------|
| 224 | 94902 | Screw-Hex. | 535 | 270843 | Filter-A/C Foam | 872 | 396966 | Cover-Air Cleaner |
| 445 | 393725 | Filter-A/C Cartridge | 536 | 391786 | Cleaner-Air | 873 | ★397971 | Gasket-Cleaner Cover |
| 465 | 271118 | Washer | 536A | 393749 | Cleaner-Air | 874 | 222898 | Retainer-Air Filter |
| 534 | 93323 | Screw-Slotted | 537 | ★270853 | Gasket-Air Cleaner | 875 | 397321 | Base-Air Cleaner |
| 534A | 93622 | Screw-Slotted | 549 | 270978 | Washer | 952 | 222495 | Spacer-Air Cleaner |
| 534B | 93911 | Screw-Slotted | 643 | 222380 | Spacer-Air Cleaner | 953 | 222382 | Screen-Air Cleaner |
| 534C | 93913 | Screw-Slotted | 643A | 280118 | Retainer-Air Filter | | | |
| 534D | 93910 | Screw-Slotted | | | | | | |

★ Included in Gasket Set-Part No. 393411.
 ● Included in Carburetor Kit-Part No. 394698.

∅ Included in Valve Overhaul Gasket Set-Part No. 498537.

253700 to 253799

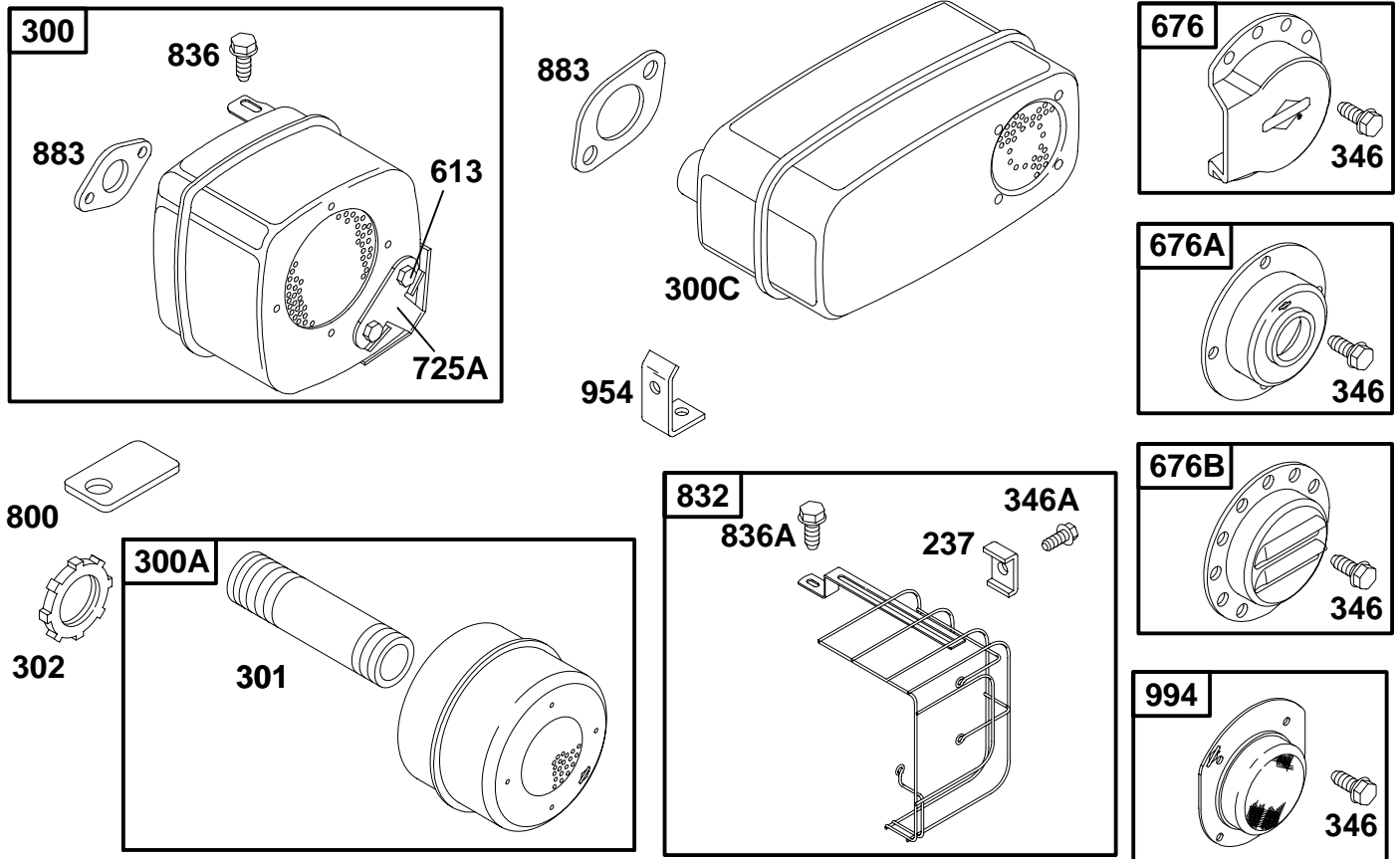


| REF. NO. | PART NO. | DESCRIPTION | REF. NO. | PART NO. | DESCRIPTION | REF. NO. | PART NO. | DESCRIPTION |
|----------|----------|--------------------------------|----------|----------|--|----------|----------|---|
| 164 | 399669 | Pipe-Air Cleaner | 534G | 94290 | Screw-Slotted (3 13/16" Long) Used on Type No(s). 0213, 0411. | 872A | 223700 | Cover-Air Cleaner |
| 165 | 94289 | Nut-Wing | | | Note | | | Note |
| 171 | 281051 | Knob-Air Cleaner | | | 94291 | | | 490975 |
| 189 | 90832 | Washer-Lock | | | Screw-Slotted (5 7/8" Long) Used on Type No(s). 0213, 0411. | 873A | ★271982 | Gasket-Cleaner Cover Used on Type No(s). 0213, 0411. |
| 224 | 94902 | Screw-Hex. | 967 | 271794 | Filter-Precleaner | | | |
| 445A | 393957 | Filter-A/C Cartridge | 967A | 271962 | Filter-Precleaner | 875A | 491877 | Base-Air Cleaner |
| 445B | 399806 | Filter-A/C Cartridge | 536B | 391063 | Cleaner-Air | | | Note |
| 467 | 493903 | Knob-Air Cleaner | 537A | 280699 | Gasket-Air Cleaner | | | 490481 |
| 534E | 94246 | Stud-Standard (3 1/2" Long) | 642 | 224885 | Cover-Air Cleaner | | | Base-Air Cleaner Used on Type No(s). 0213, 0411. |
| | | Note | 643B | 222272 | Retainer-Air Filter | | | |
| | | 94248 | | | | | | |
| | | Stud-Standard (6 3/4" Long) | | | | | | |
| 534F | 231457 | Stud-Standard | | | | | | |

★ Included in Gasket Set-Part No. 393411.
● Included in Carburetor Kit-Part No. 394698.

∅ Included in Valve Overhaul Gasket Set-Part No. 498537.

253700 to 253799

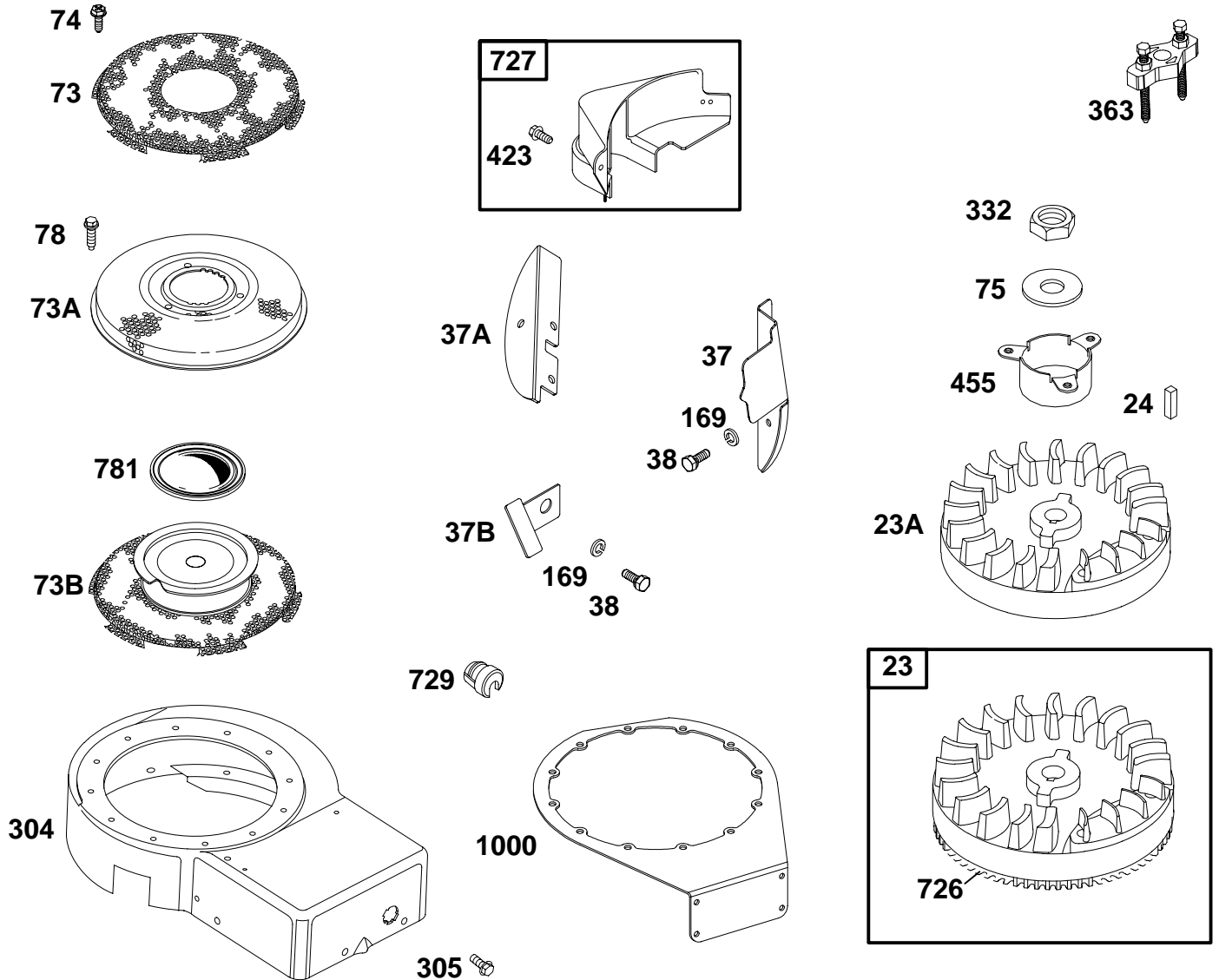


| REF. NO. | PART NO. | DESCRIPTION | REF. NO. | PART NO. | DESCRIPTION | REF. NO. | PART NO. | DESCRIPTION |
|----------|----------|-----------------|----------|----------|-------------------|----------|----------|------------------|
| 237 | 222379 | Retainer-Guard | 346A | 93587 | Screw-Hex. | 832 | 398247 | Guard-Muffler |
| 300 | 491413 | Muffler-Exhaust | 613 | 93927 | Screw-Shoulder | 836 | 94905 | Screw-Torx® Hex. |
| 300A | 391569 | Muffler-Exhaust | 676 | 393761 | Deflector-Muffler | 836A | 94887 | Screw-Hex. |
| 300C | 498984 | Muffler-Exhaust | 676A | 396903 | Deflector-Muffler | 883 | 272293 | Gasket-Exhaust |
| 301 | 93768 | Pipe-Muffler | 676B | 397630 | Deflector-Muffler | 954 | 223379 | Bracket-Mounting |
| 302 | 261564 | Locknut-Muffler | 725A | 223023 | Shield-Heat | 994 | 392390 | Arrestor-Spark |
| 346 | 94896 | Screw-Hex. | 800 | 222095 | Retainer | | | |

★ Included in Gasket Set-Part No. 393411.
 ● Included in Carburetor Kit-Part No. 394698.

∅ Included in Valve Overhaul Gasket Set-Part No. 498537.

253700 to 253799

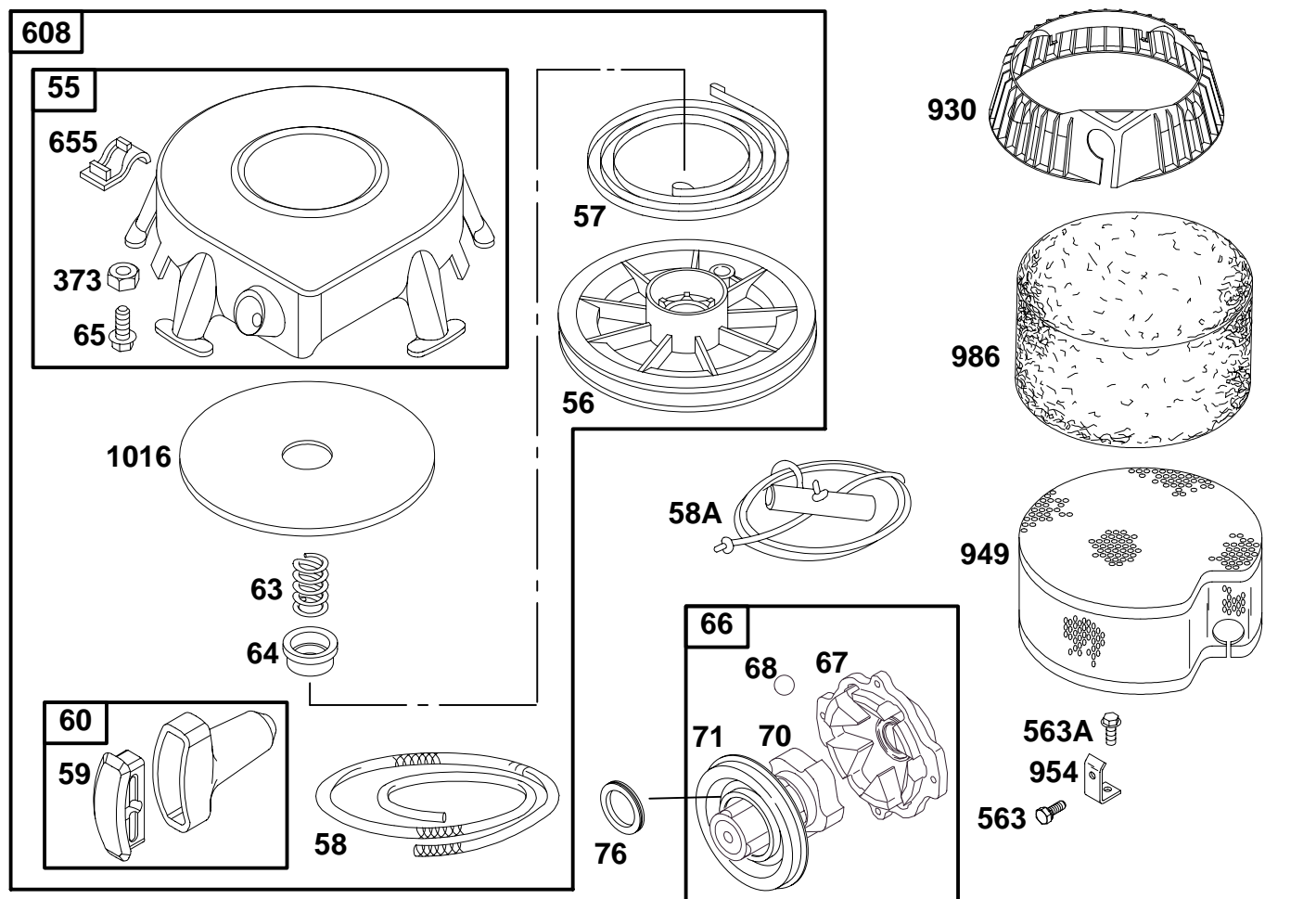


| REF. NO. | PART NO. | DESCRIPTION | REF. NO. | PART NO. | DESCRIPTION | REF. NO. | PART NO. | DESCRIPTION |
|----------|----------|---|----------|----------|--|----------|----------|------------------------|
| 23 | 498911 | Flywheel Note 498910 Flywheel Used on Type No(s). 0198, 0246, 0250, 0426, 4005. | 73A | 224517 | Screen-Rotating | 332 | 94877 | Nut-Flywheel |
| 23A | 498896 | Flywheel | 73B | 496084 | Screen-Rotating | 363 | 19203 | Puller-Flywheel |
| 24 | 222698 | Key-Flywheel | 74 | 93758 | Screw-Hex. | 423 | 94625 | Screw-Shoulder |
| 37 | 224886 | Guard-Flywheel | 75 | 225136 | Washer-Flywheel | 455 | 222561 | Cup-Flywheel |
| 37A | 222475 | Guard-Flywheel | 78 | 94626 | Screw-Phillips | 726 | 399676 | Gear-Ring |
| 37B | 224871 | Guard-Flywheel | 169 | 93713 | Washer-Lock | 727 | 395405 | Cover-Starter Drive |
| 38 | 94811 | Screw-Hex. | 304 | 398333 | Housing-Blower Note 399784 Housing-Blower Used on Type No(s). 0020. | 729 | 281159 | Clip-Wire |
| 73 | 224874 | Screen-Rotating | 305 | 94786 | Screw-Hex. | 781 | 280068 | Cap-Starter Pulley |
| | | | | | | 1000 | 223677 | Bracket-Blower Housing |

★ Included in Gasket Set-Part No. 393411.
● Included in Carburetor Kit-Part No. 394698.

∅ Included in Valve Overhaul Gasket Set-Part No. 498537.

253700 to 253799

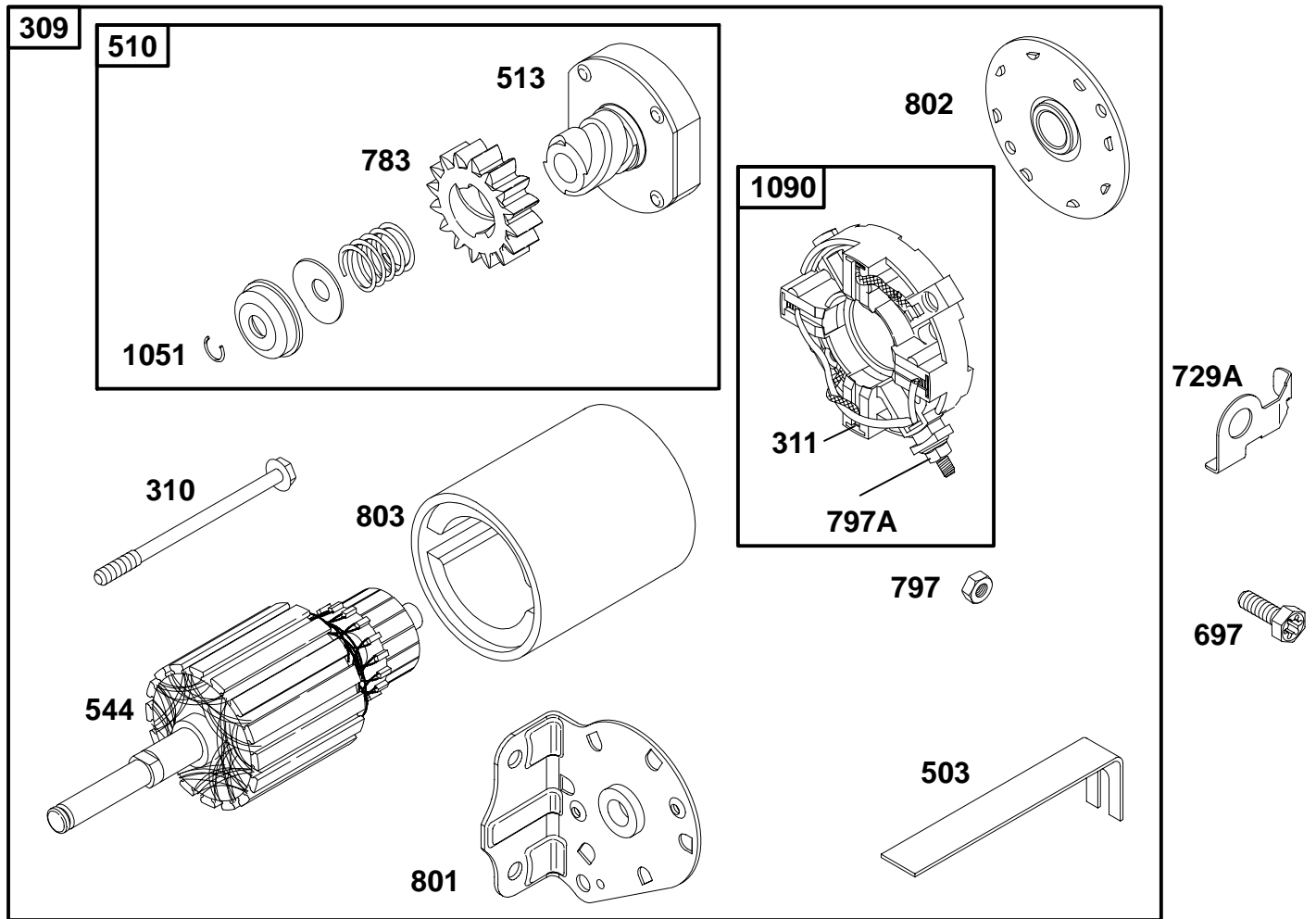


| REF. NO. | PART NO. | DESCRIPTION | REF. NO. | PART NO. | DESCRIPTION | REF. NO. | PART NO. | DESCRIPTION |
|----------|----------|---|----------|----------|---|----------|----------|---|
| 55 | 393576 | Housing-Rewind Starter | 65 | 94904 | Screw-Hex. ————— Note ——— | 655 | 222598 | Anchor-Spring |
| 56 | 295871 | Pulley-Starter (Includes Rope) | | 93420 | Screw-Hex. Used on Type No(s). 0133, 0134, 0139, 0151, 0426. | 930 | 280685 | Guard-Rewind |
| 57 | 490179 | Spring-Rewind Starter | 66 | 399671 | Clutch-Starter | 949 | 397530 | Guard-Debris Screen (Used with Rewind Start) |
| 58 | 66894 | Rope-Starter (Cut to Required Length) | 67 | 394897 | Housing-Clutch | | | ————— Note ——— |
| 58A | 69932 | Rope-Starter | 68 | 63770 | Ball-Clutch | | | 398857 Guard-Debris Screen (Used with Electric Start) |
| 59 | 490653 | Insert-Grip | 70 | 298799 | Ratchet-Clutch | 954 | 223379 | Bracket-Mounting |
| 60 | 490652 | Grip-Starter Rope | 71 | 394506 | Cover-Ratchet | 986 | 271735 | Filter-Debris |
| 63 | 260414 | Spring-Ratchet | 76 | 68238 | Seal | 1016 | 490817 | Spacer-Rewind |
| 64 | 281204 | Adapter-Spring | 373 | 94908 | Nut-Hex. | | | |
| | | | 563 | 94925 | Screw (Debris Screen Guard) | | | |
| | | | 563A | 93067 | Screw (Debris Screen Guard) | | | |
| | | | 608 | 390391 | Starter-Rewind | | | |

★ Included in Gasket Set-Part No. 393411.
● Included in Carburetor Kit-Part No. 394698.

∅ Included in Valve Overhaul Gasket Set-Part No. 498537.

253700 to 253799

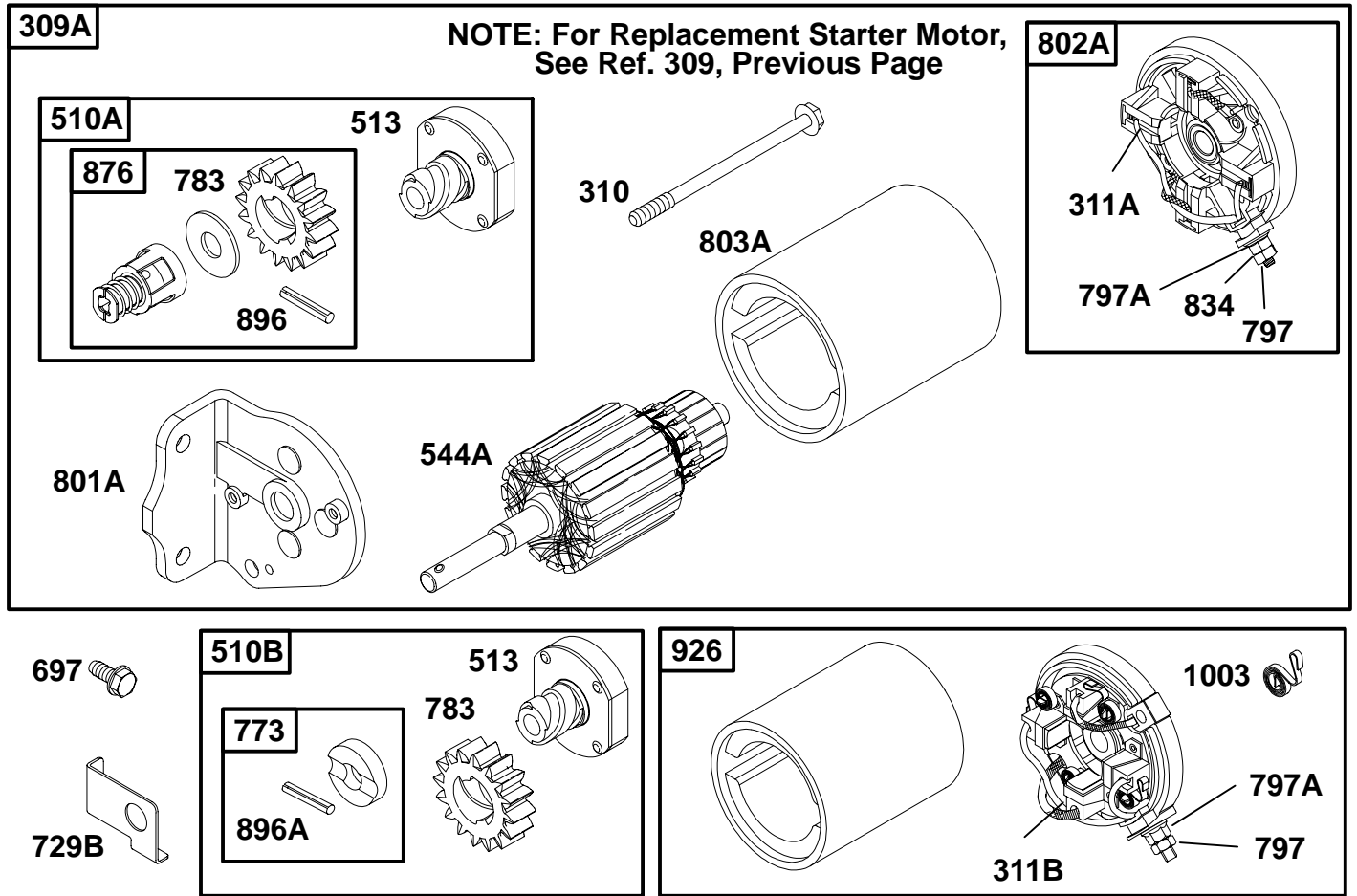


| REF. NO. | PART NO. | DESCRIPTION | REF. NO. | PART NO. | DESCRIPTION | REF. NO. | PART NO. | DESCRIPTION |
|------------|---------------|---|-------------|---------------|---|-------------|---------------|--|
| 309 | 693054 | Motor-Starter (3 5/8" Housing Length) | 311 | 497608 | Brush Set | 797 | 92278 | Nut (Starter Terminal) |
| | | Note _____ | 503 | 806000 | Strap-Starter | 797A | 693167 | Nut (Starter Terminal) |
| | | 499521 Motor-Starter (4 3/8" Housing Length) | 510 | 497606 | Drive-Starter | 801 | 497626 | Cap-Drive |
| 310 | 94003 | Bolt (Starter Motor) (For 3 5/8" Housing Length) | 513 | 398003 | Clutch-Drive | 802 | 497607 | Cap-End |
| | | Note _____ | 544 | 497603 | Armature-Starter (For 3 5/8" Housing Length) | 803 | 497604 | Housing-Starter (For 3 5/8" Housing Length) |
| | | 95035 Bolt (Starter Motor) (For 4 3/8" Housing Length) | 697 | 94773 | Screw (Starter Motor Mounting) | 1051 | 263080 | Ring-Retaining |
| | | | 729A | 225170 | Clip-Wire | 1090 | 497605 | Retainer-Brush |
| | | | 783 | 693059 | Gear-Starter | | | |

★ Included in Gasket Set-Part No. 393411.
 ● Included in Carburetor Kit-Part No. 394698.

∅ Included in Valve Overhaul Gasket Set-Part No. 498537.

253700 to 253799

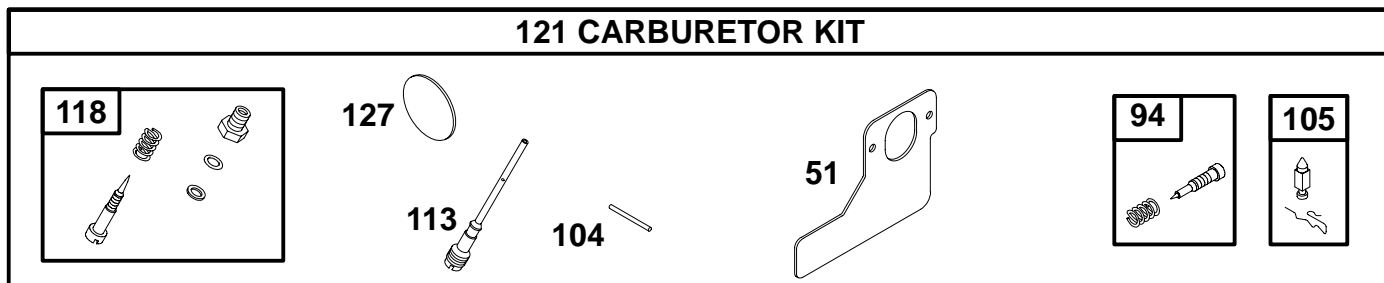
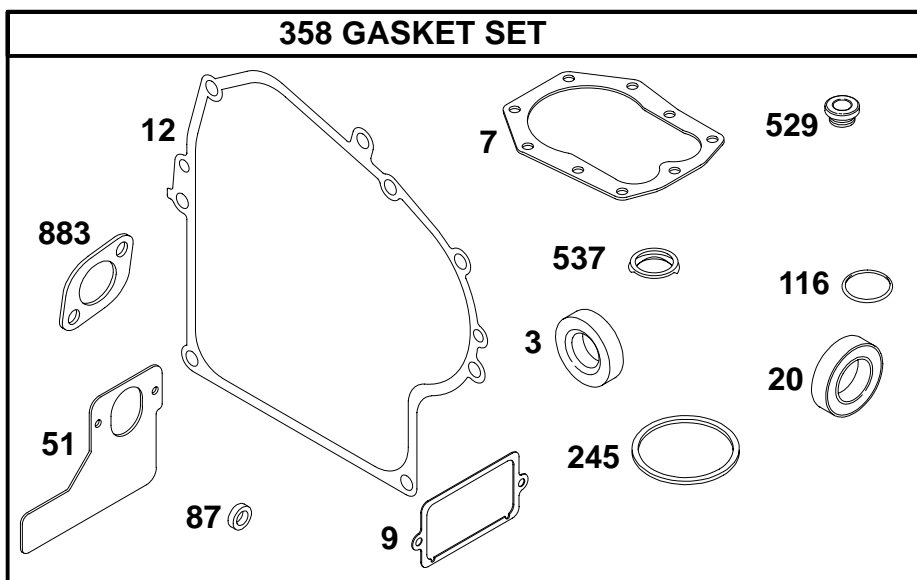
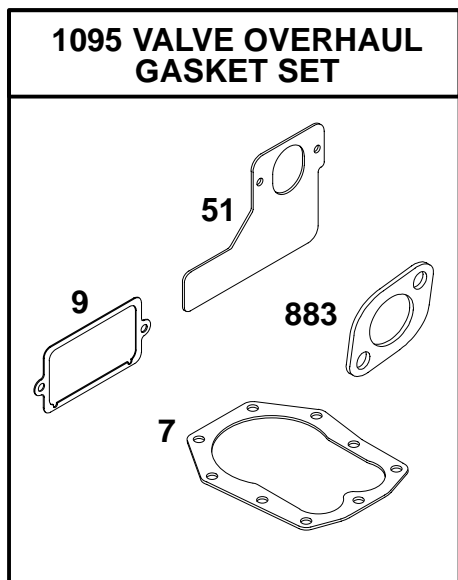


| REF. NO. | PART NO. | DESCRIPTION | REF. NO. | PART NO. | DESCRIPTION | REF. NO. | PART NO. | DESCRIPTION | |
|----------|----------|---|----------|----------|---|---|----------|--|---|
| 309A | | Motor-Starter (For Replacement Starter Motor, See Ref 309, Previous Page.) | 510A | 495878 | Drive-Starter | 802A | 395537 | Cap-End (For 3 5/8" and 4 3/8" Housing Lengths) | |
| | | | 510B | 391461 | Drive-Starter | 803A | 398159 | Housing-Starter (For 3 5/8" Housing Length) | |
| | | | 513 | 398003 | Clutch-Drive | | | Note _____ | |
| 310 | 94003 | Bolt (Starter Motor) (For 3 5/8" Housing Length) | 544A | 390837 | Armature-Starter (For 3 5/8" Housing Length) | | | Note _____ | |
| | | Note _____ | | | 391160 | Armature-Starter (For 3 5/8" and 4 3/8" Housing Lengths) | | 494205 | Housing-Starter (For 4 9/16" Housing Length) |
| | | 95035 Bolt (Starter Motor) (For 4 3/8" Housing Length) | 697 | 94627 | Screw (Starter Motor Mounting) | 834 | 92507 | Washer (Starter Terminal) | |
| | | 94169 Bolt (Starter Motor) (For 4 9/16" Housing Length) | 729B | 224723 | Clip-Wire | 876 | 495877 | Kit-Gear | |
| 311A | 395538 | Brush Set (For 3 5/8" and 4 3/8" Housing Lengths) | 773 | 391462 | Retainer-Clutch | 896 | 94288 | Pin-Drive Retainer (Copper) | |
| | | | 783 | 693059 | Gear-Starter | 896A | 94192 | Pin-Drive Retainer (Black) | |
| 311B | 490311 | Brush Set (For 4 9/16" Housing Length) | 797 | 93715 | Nut (Starter Terminal) | 926 | 498233 | Housing/Cap Kit (Hsg. Length 4 9/16") | |
| | | | 797A | 693167 | Nut (Starter Terminal) | 1003 | 490316 | Spring-Brush (Hsg. Length 4 9/16") | |
| | | | 801A | 394856 | Cap-Drive | | | | |

★ Included in Gasket Set-Part No. 393411.
● Included in Carburetor Kit-Part No. 394698.

∅ Included in Valve Overhaul Gasket Set-Part No. 498537.

253700 to 253799



| REF. NO. | PART NO. | DESCRIPTION | REF. NO. | PART NO. | DESCRIPTION | REF. NO. | PART NO. | DESCRIPTION |
|----------|-------------|---|----------|----------|--------------------------------|----------|----------|------------------------------|
| 3 | ★391086 | Seal-Oil | 20 | ★291675 | Seal-Oil | 127 | ●221997 | Plug-Welch |
| 7 | ∅★271866 | Gasket-Cylinder Head | 51 | ∅★270872 | Gasket-Intake | 245 | ★68477 | Gasket-Bowl |
| 9 | ∅★27803 | Gasket-Breather | 87 | ★491323 | Seal-Governor Shaft | 358 | 492653 | Gasket Set |
| 12 | ★271702 | Gasket-Crankcase (.015" Thick, Standard) | 94 | ●292681 | Kit-Idle Mixture | 529 | ★281370 | Seal-Fill Tube |
| | Note | | 104 | ●231435 | Pin-Float Hinge | 537 | ★270853 | Gasket-Air Cleaner |
| | ★270915 | Gasket-Crankcase (.005" Thick) | 105 | ●394681 | Valve-Needle (Gravity Feed) | 883 | ∅★272293 | Gasket-Exhaust |
| | ★270916 | Gasket-Crankcase (.009" Thick) | 113 | ●299740 | Nozzle-Carburetor | 1095 | 498537 | Gasket Set-Valve Overhaul |
| | | | 116 | ★270920 | Seal-O-Ring | | | |
| | | | 118 | ●396568 | Valve-High-Speed | | | |
| | | | 121 | 394698 | Carburetor Kit | | | |

★ Included in Gasket Set-Part No. 393411.
● Included in Carburetor Kit-Part No. 394698.

∅ Included in Valve Overhaul Gasket Set-Part No. 498537.