

Illustrated Parts List

Model Series

245400 to 245499

TYPE NUMBERS
0035 through 0090,
0121 through 0128,
0235 through 0299,
0519 through 0555.

**TO FIND
THE CORRECT NUMBER OF THE PART YOU NEED:
FOLLOW THE INSTRUCTIONS BELOW**

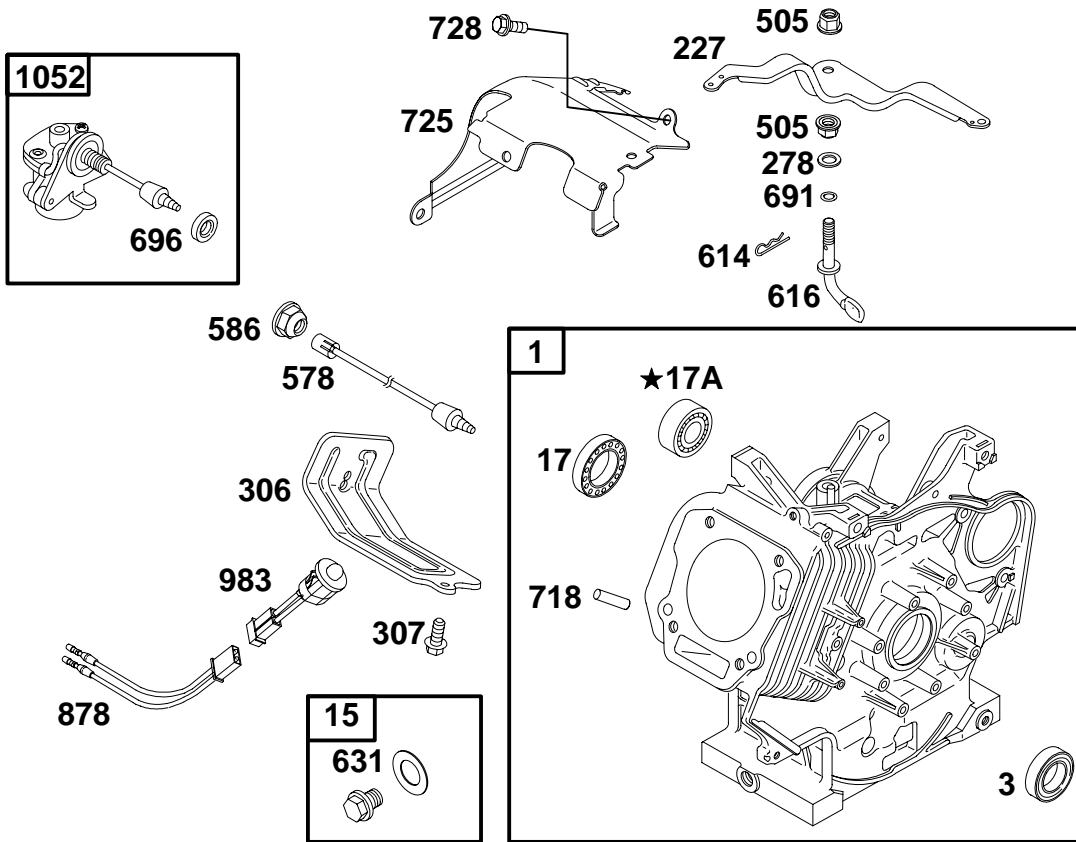
- A. Refer to Engine Model, Type and Code Number that is stamped on the blower housing of engine. Engine type numbers such as 0123 01 are listed only as 0123 in most instances. The two digits (01 or 02, etc.) to the right of the space may be required for more accurate parts identification in some instances. Select the Illustrated Parts List covering the correct Model Series and Type Number.
- B. Refer to the Illustrations and compare the original part with Illustration. The number next to the illustration is the Reference Number. Assemblies include all parts shown in frames. All parts shown in assembly frames having individual reference numbers can be purchased separately.
- C. After the Reference Number has been identified, refer to the Numerical text, where Reference and Primary Part Number are listed. **THE PRIMARY PART IS USED ON ALL TYPE NUMBERS EXCEPT THOSE TYPE NUMBERS UNDER "NOTE."**
- D. If a "Note" appears below the Primary Part Number, it means that this part differs from the Primary Part for certain types. If your Type number is listed under "Note," order the part referred to at the "Note."
- E. If your Engine Type Number does not appear after any part number listed under "Note," use the Primary Part Number.
- F. For Engine Type Numbers not covered by this book, check other Parts Lists having the same engine model or contact your source of supply.

PRINTED IN U.S.A.



COPYRIGHT by BRIGGS & STRATTON CORPORATION
All rights reserved. No part of this material may be reproduced or transmitted, in any form or by any means, electronic or mechanical, including photocopying, recording or by any information storage and retrieval system, without permission in writing from Briggs & Stratton Corporation.

245400 to 245499



★ **REQUIRES SPECIAL TOOLS TO REPLACE. SEE REPAIR INSTRUCTION MANUAL.**

1019 LABEL KIT

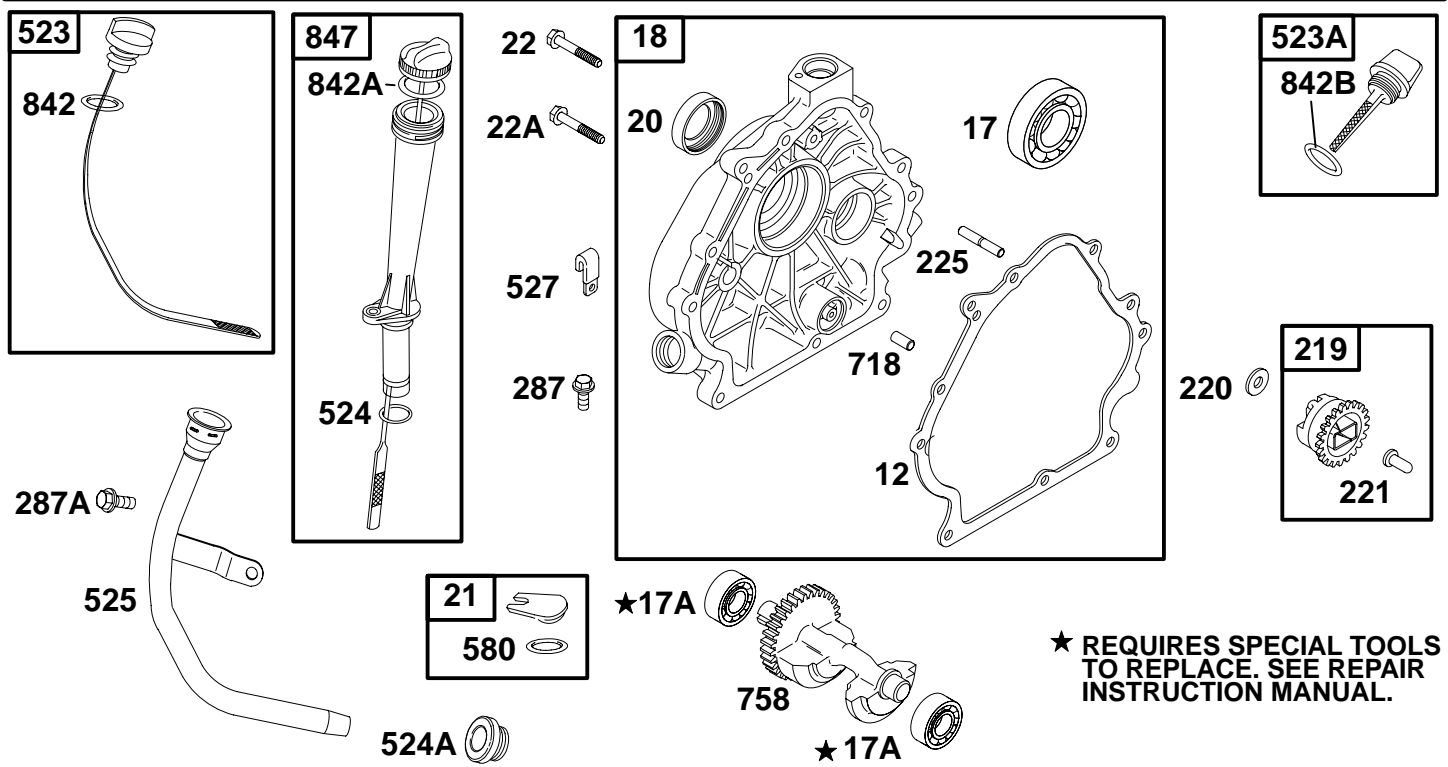
1058 OWNER'S MANUAL

REF. NO.	PART NO.	DESCRIPTION	REF. NO.	PART NO.	DESCRIPTION	REF. NO.	PART NO.	DESCRIPTION
1	715355	Cylinder Assembly Note 715356 Cylinder Assembly Used on Type No(s). 0121, 0521, 0538, 0546, 0548. 715357 Cylinder Assembly Used on Type No(s). 0074, 0076, 0080, 0084, 0128, 0276, 0280, 0284, 0528, 0539, 0550, 0555. 715622 Cylinder Assembly Used on Type No(s). 0299.	17	710528	Bearing-Ball Note 710657 Bearing-Ball Used on Type No(s). 0047, 0247.	578	710308	Wire Assembly Note 710086 Wire Assembly Used on Type No(s). 0299.
			17A	710482	Bearing-Ball	586	710090	Nut (Oil Sensor)
			227	710561	Lever-Governor Control	614	710056	Pin-Cotter
			278	710058	Washer (Governor Control Lever)	616	710560	Crank-Governor
			306	710242	Shield-Cylinder	631	★710004	Washer (Oil Drain Plug)
			307	710023	Screw (Cylinder Shield)	691	★710055	Seal-Governor Shaft
			505	710059	Nut (Governor Control Lever)	696	★710091	Seal-O Ring
						718	710005	Pin-Locating
						725	710568	Shield-Heat
						728	710023	Screw (Heat Shield)
						878	710417	Harness-Alternator
						983	692362	Light-Indicator
						1019	715031	Kit-Label
						1052	715353	Sensor-Oil
						1058	274777	Owner's Manual
3	★291675	Seal-Oil (Magneto Side)						
15	715000	Plug-Oil Drain						

★ Included in Engine Gasket Set-Ref. No. 358.
◆ Included in Carburetor Gasket Set-Ref. No. 977.

● Included in Carburetor Overhaul Kit-Ref. No. 121.
△ Included in Valve Gasket Set-Ref. No. 1095.

245400 to 245499



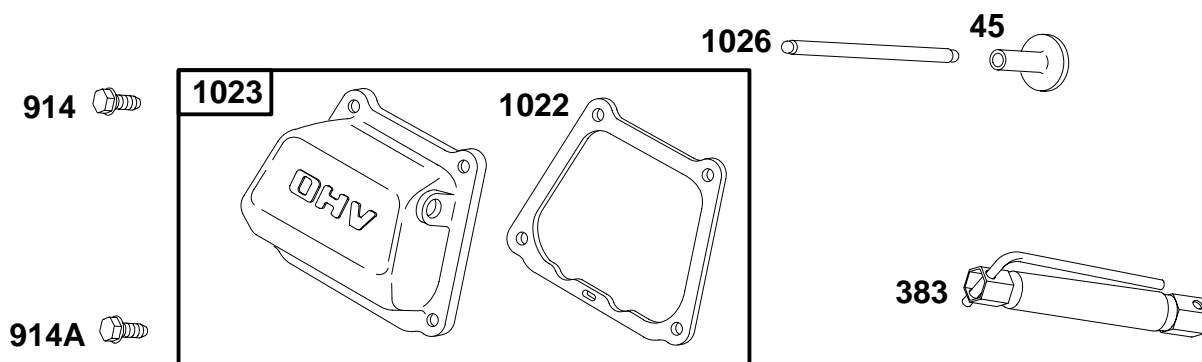
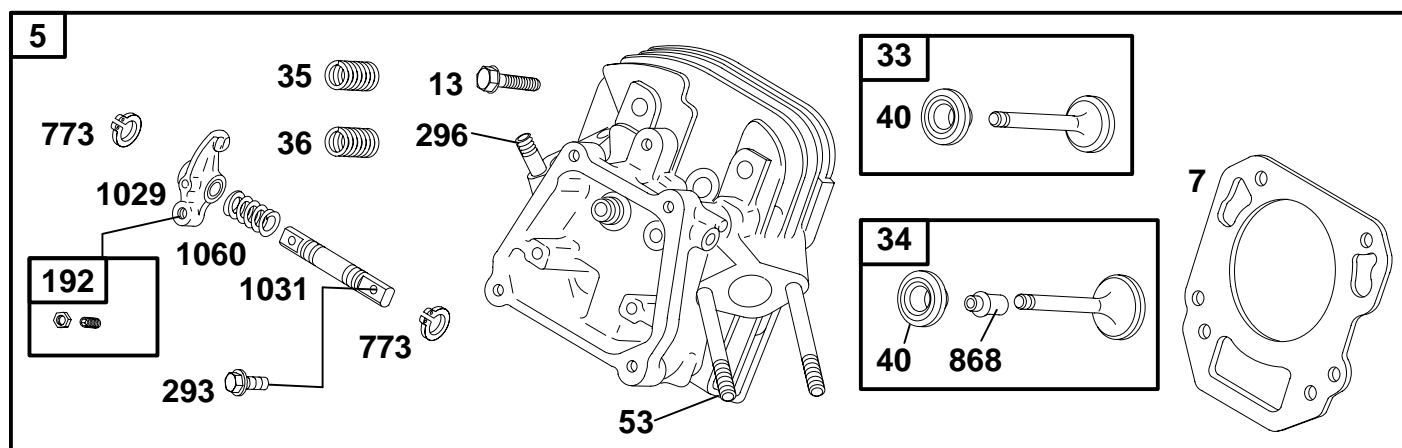
★ REQUIRES SPECIAL TOOLS TO REPLACE. SEE REPAIR INSTRUCTION MANUAL.

REF. NO.	PART NO.	DESCRIPTION	REF. NO.	PART NO.	DESCRIPTION	REF. NO.	PART NO.	DESCRIPTION
12	★710378	Gasket-Crankcase			715711 Cover-Crankcase	523A	710817	Dipstick (Yellow)
17	710528	Bearing-Ball			(Includes Ref. 17A)			(Used After Code Date 98013100).
		Note			Used on Type No(s). 0127.			Note
		710657 Bearing-Ball	20	★291675	Seal-Oil (PTO Side)			710544 Dipstick (Black)
		Used on Type No(s). 0047, 0247.	21	493668	Cap-Oil Fill			(Used Before Code Date 98020100).
17A	710482	Bearing-Ball	22	710032	Screw (Crankcase Cover/Sump)	524	280854	Seal-Dipstick Tube
18	715359	Cover-Crankcase	22A	710306	Screw (Crankcase Cover/Sump)	524A	710394	Seal-Dipstick Tube
		Note						Used on Type No(s). 0299.
		715358 Cover Crankcase	219	715696	Gear-Governor	525	710391	Tube-Dipstick
		Used on Type No(s). 0042, 0242, 0519, 0546, 0549.	220	710545	Washer (Governor Gear)			Used on Type No(s). 0299.
		715526 Cover-Crankcase	221	710027	Cup-Governor	527	710100	Clamp-Tube
		Used on Type No(s). 0058.	225	710028	Shaft-Governor Gear	580	493668	Seal-O Ring (Oil Fill Cap)
		715537 Cover-Crankcase	287	710234	Screw (Dipstick Tube)	718	710005	Pin-Locating
		Used on Type No(s). 0539.	287A	710023	Screw (Dipstick Tube)	758	710542	Counterweight
		715623 Cover-Crankcase	523	692100	Dipstick	842	690611	Seal-O Ring
		Used on Type No(s). 0299.			Used on Type No(s). 0299.	842A	270920	Seal-O Ring
						842B	★710218	Seal-O Ring
						847	710543	Dipstick/Tube Assembly

★ Included in Engine Gasket Set-Ref. No. 358.
 ◆ Included in Carburetor Gasket Set-Ref. No. 977.

● Included in Carburetor Overhaul Kit-Ref. No. 121.
 △ Included in Valve Gasket Set-Ref. No. 1095.

245400 to 245499



REF. NO.	PART NO.	DESCRIPTION	REF. NO.	PART NO.	DESCRIPTION	REF. NO.	PART NO.	DESCRIPTION
5	715375	Head-Cylinder	192	715372	Adjuster-Rocker Arm	1022	Δ710377	Gasket-Rocker Cover
7	Δ710539	Gasket-Cylinder Head	293	710538	Screw (Rocker Arm Shaft)	1023	715376	Cover-Rocker Arm
13	710204	Screw (Cylinder Head)	296	710099	Stud (Muffler)	1026	710373	Rod-Push
33	715373	Valve-Exhaust	383	19374	Wrench-Spark Plug	1029	710534	Arm-Rocker
34	715374	Valve-Intake	773	710537	Retainer	1031	710533	Shaft-Rocker Arm
35	691279	Spring-Valve (Intake)	868	Δ710863	Seal-Valve	1060	710535	Spring-Rocker Shaft
36	691279	Spring-Valve (Exhaust)	914	710023	Screw (Rocker Cover)			
40	691752	Retainer-Valve			Note			
45	710530	Tappet-Valve			710248	Screw (Rocker Cover)		
53	710556	Stud (Carburetor)				Used on Type No(s). 0127, 0235, 0247, 0270, 0284, 0290, 0527, 0539, 0544.		
		Note	914A	710248	Screw (Rocker Cover)			
		710816						
		Stud Used on Type No(s). 0299.						

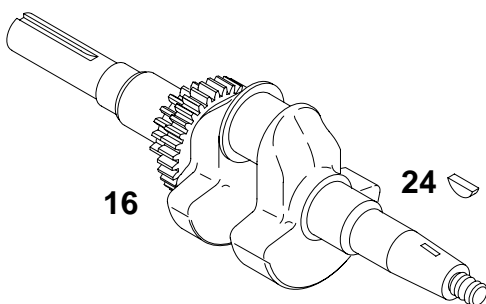
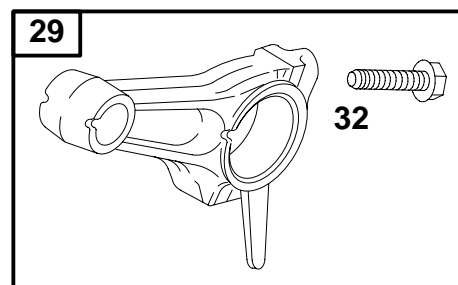
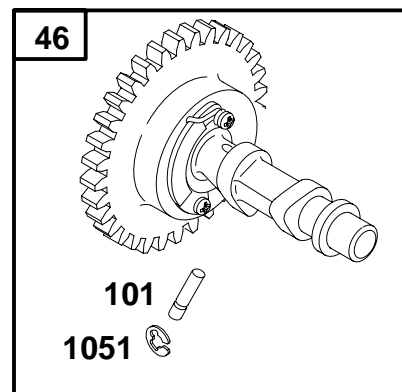
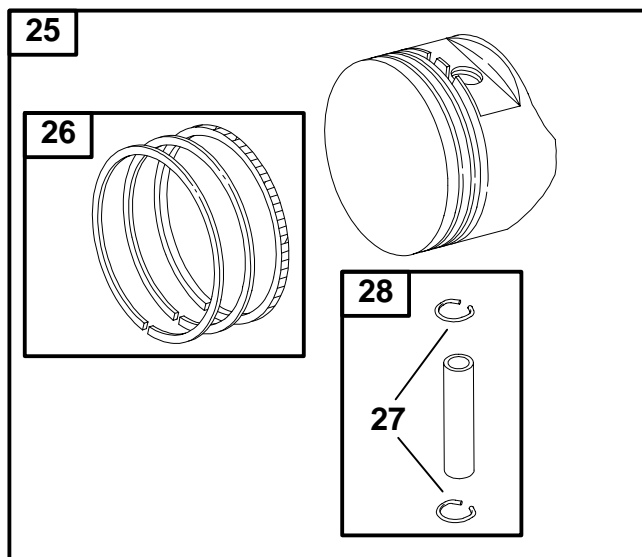
★ Included in Engine Gasket Set-Ref. No. 358.

◆ Included in Carburetor Gasket Set-Ref. No. 977.

● Included in Carburetor Overhaul Kit-Ref. No. 121.

Δ Included in Valve Gasket Set-Ref. No. 1095.

245400 to 245499



REF. NO.	PART NO.	DESCRIPTION	REF. NO.	PART NO.	DESCRIPTION	REF. NO.	PART NO.	DESCRIPTION
16	715342	Crankshaft (SAE 1" Keyway) Used on Type No(s). 0035, 0076, 0080, 0084, 0121, 0235, 0284, 0299, 0538, 0548. Note 715343 Crankshaft (SAE Taper) Used on Type No(s). 0042, 0070, 0074, 0080, 0090, 0127, 0128, 0242, 0270, 0290, 0519, 0527, 0528, 0544, 0549, 0550, 0553, 0555.			715344 Crankshaft (SAE 1" Thread) Used on Type No(s). 0047, 0247. 715700 Crankshsft (JIS Taper) Used on Type No(s). 0058.			26 715346 Ring Set (Standard) Note 715367 Ring Set (.010" Oversize) 715368 Ring Set (.020" Oversize)
			24	710037	Key-Flywheel			27 691792 Lock-Piston Pin
			25	715364	Piston Assembly (Standard) Note 715384 Piston Assembly (.010" Oversize) 715385 Piston Assembly (.020" Oversize)			28 715407 Pin-Piston (Standard)
								29 715345 Rod-Connecting (Standard) Note 715366 Rod-Connecting-020 (.020" Undersize)
								32 710221 Screw (Connecting Rod)
								46 715369 Camshaft
								101 710547 Pin-Shaft
								1051 710548 Ring-Retaining

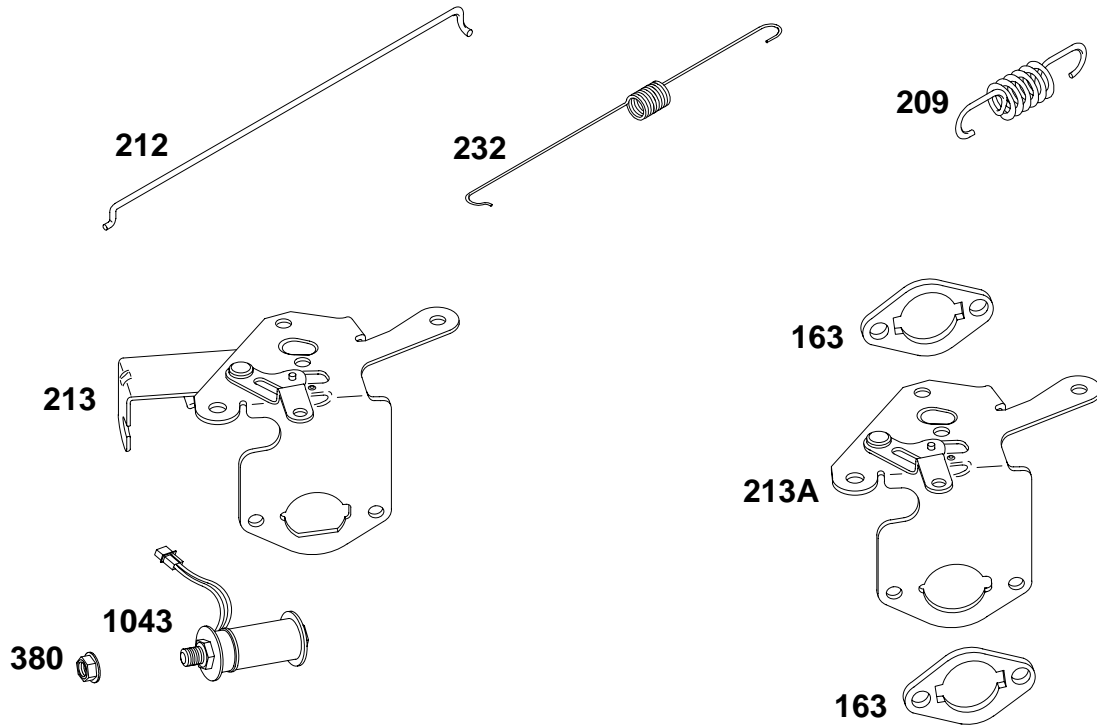
★ Included in Engine Gasket Set-Ref. No. 358.

◆ Included in Carburetor Gasket Set-Ref. No. 977.

● Included in Carburetor Overhaul Kit-Ref. No. 121.

△ Included in Valve Gasket Set-Ref. No. 1095.

245400 to 245499



REF. NO.	PART NO.	DESCRIPTION	REF. NO.	PART NO.	DESCRIPTION	REF. NO.	PART NO.	DESCRIPTION
163★◆	710557	Gasket–Air Cleaner	212	710562	Link–Throttle	213A	715347	Bracket–Choke Control
209	710706	Spring–Governor	213	715348	Bracket–Choke Control Used on Type No(s). 0042, 0242	232	710563	Spring–Governor Link
		Note				380	710081	Nut (Electro Magnet)
		710565 Spring–Governor Used on Type No(s). 0058, 0080, 0083, 0090, 0127, 0128, 0280, 0290, 0519, 0527, 0528, 0544, 0550, 0553, 0555.						
		710655 Spring–Governor Used on Type No(s). 0042, 0070, 0071, 0074, 0242, 0270, 0549.						

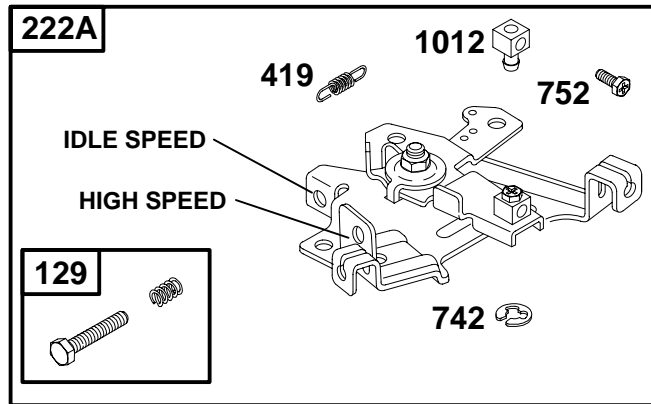
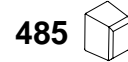
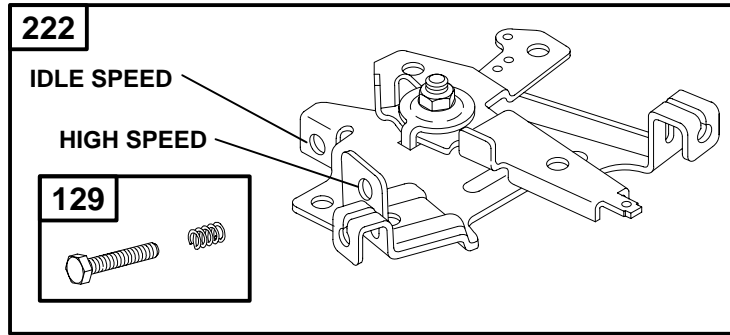
★ Included in Engine Gasket Set–Ref. No. 358.

◆ Included in Carburetor Gasket Set–Ref. No. 977.

● Included in Carburetor Overhaul Kit–Ref. No. 121.

△ Included in Valve Gasket Set–Ref. No. 1095.

245400 to 245499



REF. NO.	PART NO.	DESCRIPTION	REF. NO.	PART NO.	DESCRIPTION	REF. NO.	PART NO.	DESCRIPTION
129	715024	Screw/Spring-Governor Speed (Idle & High Speed Adjustment) _____ Note _____ 715170 Screw/Spring-Governor Speed (Idle & High Speed Adjustment) Used on Type No(s). 0042, 0071, 0074, 0080, 0083, 0090.	222	715025	Bracket-Control _____ Note _____ 715046 Bracket-Control Used on Type No(s). 0042, 0058, 0070, 0071, 0074, 0080, 0083, 0090, 0127, 0128, 0242, 0270, 0280, 0290, 0519, 0527, 0528, 0544, 0549, 0550, 0553, 0555.	222A	715676	Bracket-Control Used on Type No(s). 0538.
188	710057	Screw (Control Bracket)				419	710475	Spring-Return
						485	692295	Knob-Control
						742	710477	Retainer-E Ring
						752	710478	Screw (Link Retainer)
						1012	710855	Retainer-Link

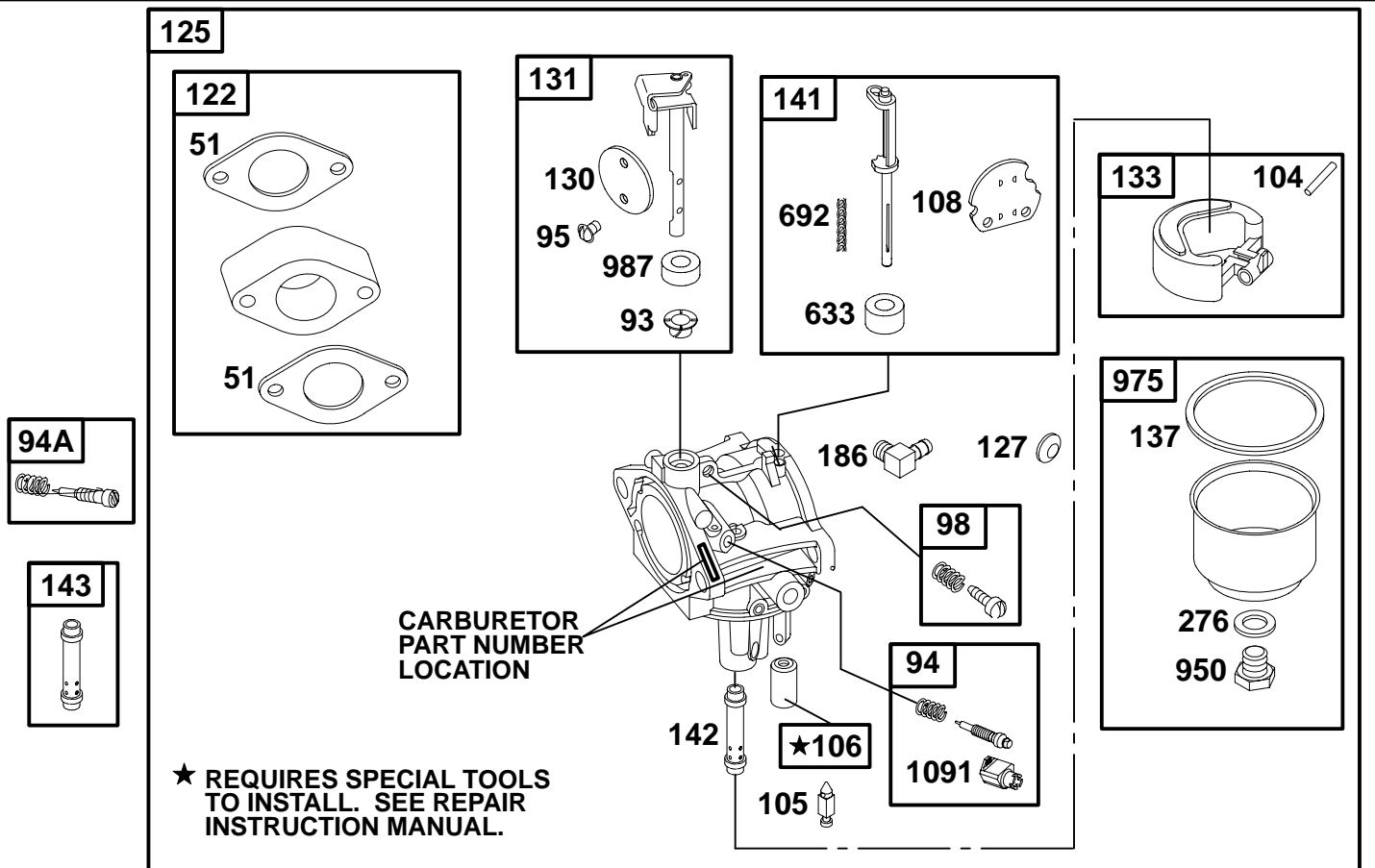
★ Included in Engine Gasket Set-Ref. No. 358.

◆ Included in Carburetor Gasket Set-Ref. No. 977.

● Included in Carburetor Overhaul Kit-Ref. No. 121.

△ Included in Valve Gasket Set-Ref. No. 1095.

245400 to 245499



REF. NO.	PART NO.	DESCRIPTION	REF. NO.	PART NO.	DESCRIPTION	REF. NO.	PART NO.	DESCRIPTION
51	◆710559	Gasket-Intake	108	691227	Valve-Choke	143	691462	Nozzle-Carburetor (High Altitude)
93	●690602	Bushing-Throttle Shaft	122	715377	Spacer-Carburetor	186	493496	Connector-Hose
94	498030	Kit-Idle Mixture (Carburetor Pt. No. 715330)	125	715525	Carburetor (Carburetor Pt. No. 715330)	276	◆692255	Washer-Sealing
94A	496589	Kit-Idle Mixture (Carburetor Pt. No. 715399)	127	●695005	Plug-Welch	633	●690597	Seal-Choke/Throttle Shaft
95	●691636	Screw (Throttle Valve)	130	690468	Valve-Throttle	692	691301	Spring-Detent
98	495800	Kit-Idle Speed	131	715388	Kit-Throttle Shaft	950	691657	Screw-Float Bowl
104	●690525	Pin-Float Hinge	133	494381	Float-Carburetor	975	495933	Bowl-Float
105	●231855	Valve-Float Needle	137	◆281165	Gasket-Float Bowl	987	●691326	Seal-Throttle Shaft
106	●690577	Seat-Inlet	141	715382	Kit-Choke Shaft	1091	691333	Cap-Limiter
			142	●691462	Nozzle-Carburetor (Standard)			

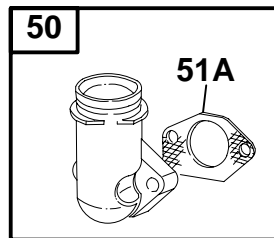
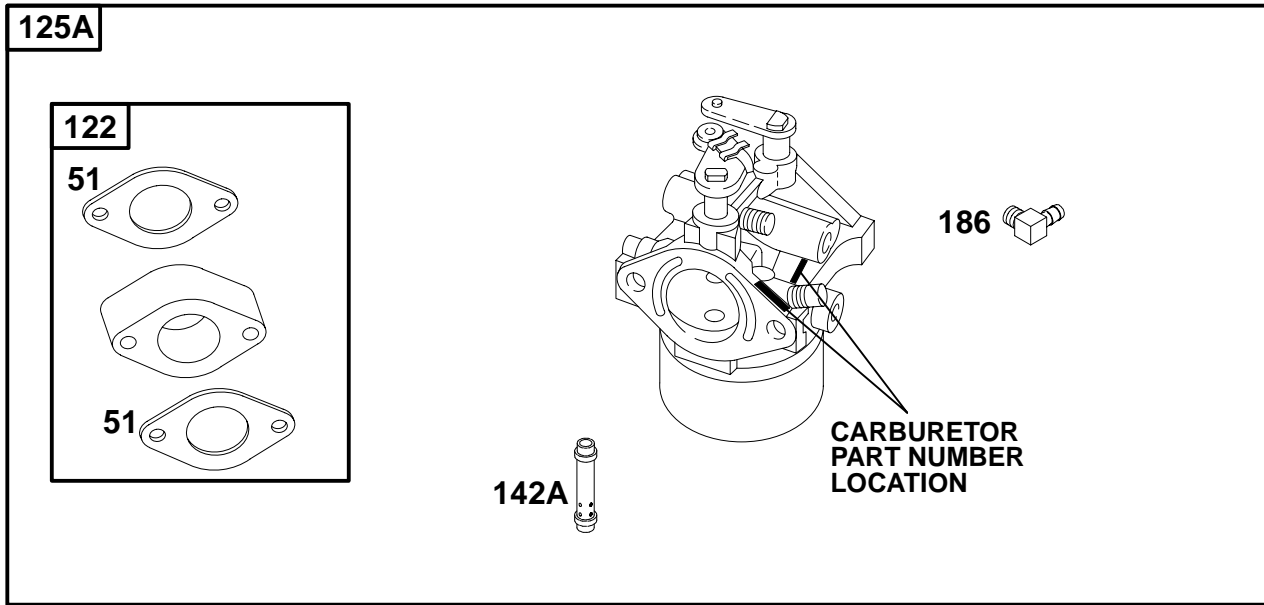
★ Included in Engine Gasket Set-Ref. No. 358.

◆ Included in Carburetor Gasket Set-Ref. No. 977.

● Included in Carburetor Overhaul Kit-Ref. No. 121.

△ Included in Valve Gasket Set-Ref. No. 1095.

245400 to 245499

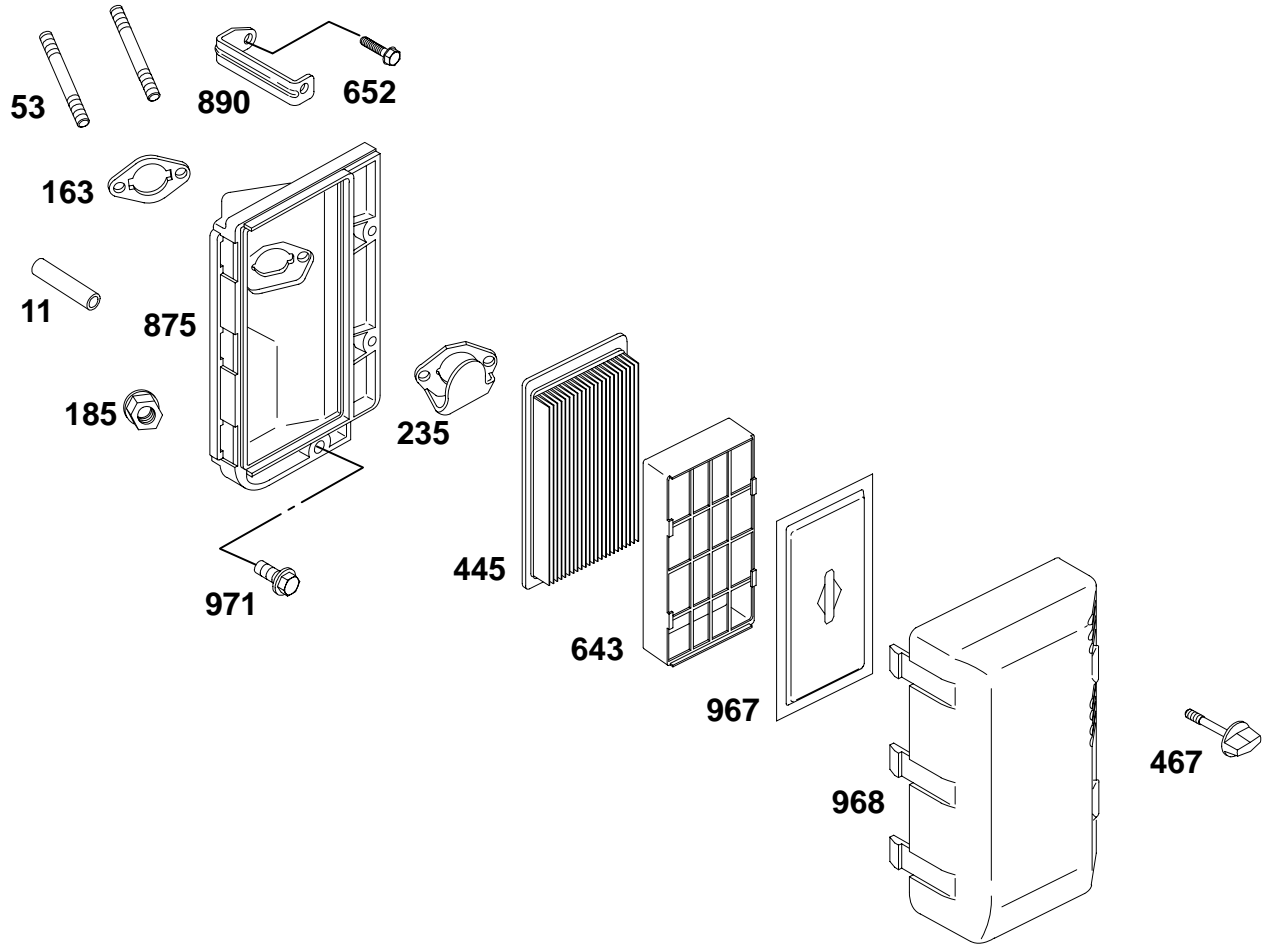


REF. NO.	PART NO.	DESCRIPTION	REF. NO.	PART NO.	DESCRIPTION	REF. NO.	PART NO.	DESCRIPTION
50	715624	Manifold-Intake Used on Type No(s). 0299.	122	715377	Spacer-Carburetor	142A	693926	Nozzle-Carburetor (Standard)
51	Δ*710559	Gasket-Intake	125A	715625	Carburetor (Carburetor Pt. No. 715536)	186	692317	Connector-Hose
51A	710819	Gasket-Intake Used on Type No(s). 0299.			Used on Type No(s). 0299.			

★ Included in Engine Gasket Set-Ref. No. 358.
◆ Included in Carburetor Gasket Set-Ref. No. 977.

● Included in Carburetor Overhaul Kit-Ref. No. 121.
Δ Included in Valve Gasket Set-Ref. No. 1095.

245400 to 245499



REF. NO.	PART NO.	DESCRIPTION	REF. NO.	PART NO.	DESCRIPTION	REF. NO.	PART NO.	DESCRIPTION
11	710115	Tube-Breather Note 710815 Tube-Breather Used on Type No(s). 0299.	163★◆	710557	Gasket-Air Cleaner	875	710551	Base-Air Cleaner (Plastic)
53	710556	Stud (Carburetor) Note 710816 Stud Used on Type No(s). 0299.	185	710068	Nut (Air Cleaner Base)	890	710554	Bracket-Support (Air Cleaner)
			235	710553	Shield-Fuel Spray	967	710268	Filter-Pre Cleaner
			445	710266	Filter-Air Cleaner Cartridge	968	710552	Cover-Air Cleaner
			467	710113	Knob-Air Cleaner	971	710234	Screw (Air Cleaner Base To Carburetor)
			643	710228	Retainer-Air Filter			
			652	710248	Screw (Support Bracket)			

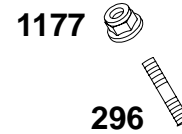
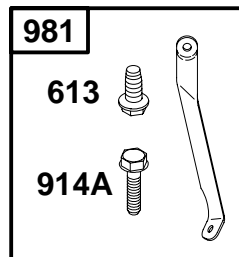
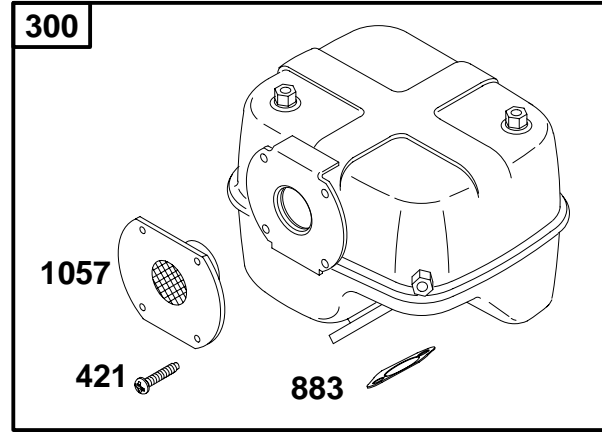
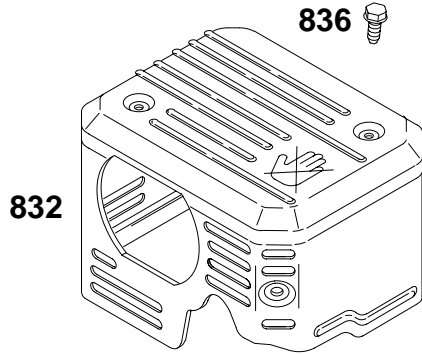
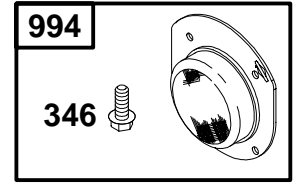
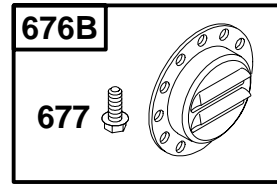
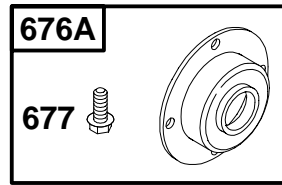
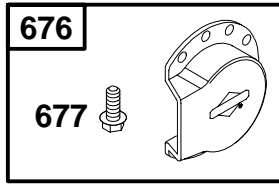
★ Included in Engine Gasket Set-Ref. No. 358.

◆ Included in Carburetor Gasket Set-Ref. No. 977.

● Included in Carburetor Overhaul Kit-Ref. No. 121.

△ Included in Valve Gasket Set-Ref. No. 1095.

245400 to 245499



REF. NO.	PART NO.	DESCRIPTION	REF. NO.	PART NO.	DESCRIPTION	REF. NO.	PART NO.	DESCRIPTION
296	710099	Stud (Muffler)	676A	396903	Deflector-Muffler (Direct Out)	1057	710585	Screen-Outlet
300	715424	Muffler	676B	397630	Deflector-Muffler (Louvered)	1177	710090	Nut (Muffler)
346	690661	Screw (Spark Arrestor)	832	710586	Guard-Muffler	Note		
421	710307	Screw (Outlet Screen)	836	710074	Screw (Muffler Guard)	710081		Nut (Muffler)
613	710976	Screw (Muffler)	883	Δ710250	Gasket-Exhaust	Used on Type No(s). 0299.		
677	690771	Screw (Muffler Deflector)	914A	710248	Screw (Rocker Cover)			
676	393761	Deflector-Muffler (Side Out)	981	715422	Brace-Muffler			
			994	392390	Arrestor-Spark			

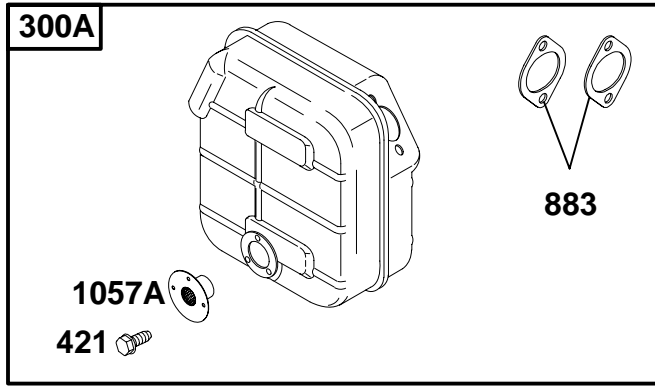
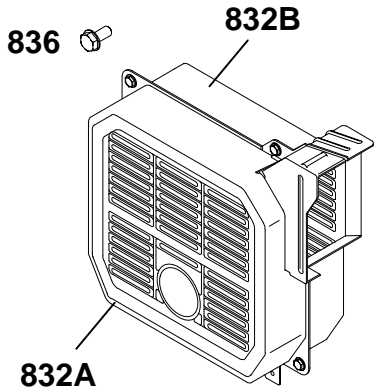
★ Included in Engine Gasket Set-Ref. No. 358.

◆ Included in Carburetor Gasket Set-Ref. No. 977.

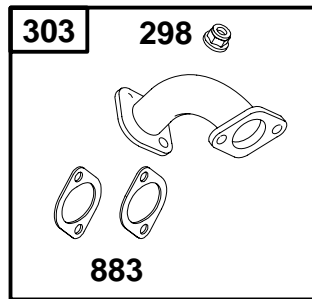
● Included in Carburetor Overhaul Kit-Ref. No. 121.

Δ Included in Valve Gasket Set-Ref. No. 1095.

245400 to 245499



NOTE: This muffler is intended for replacement purposes only and is not to be used for retrofitting to engines with different exhaust systems.

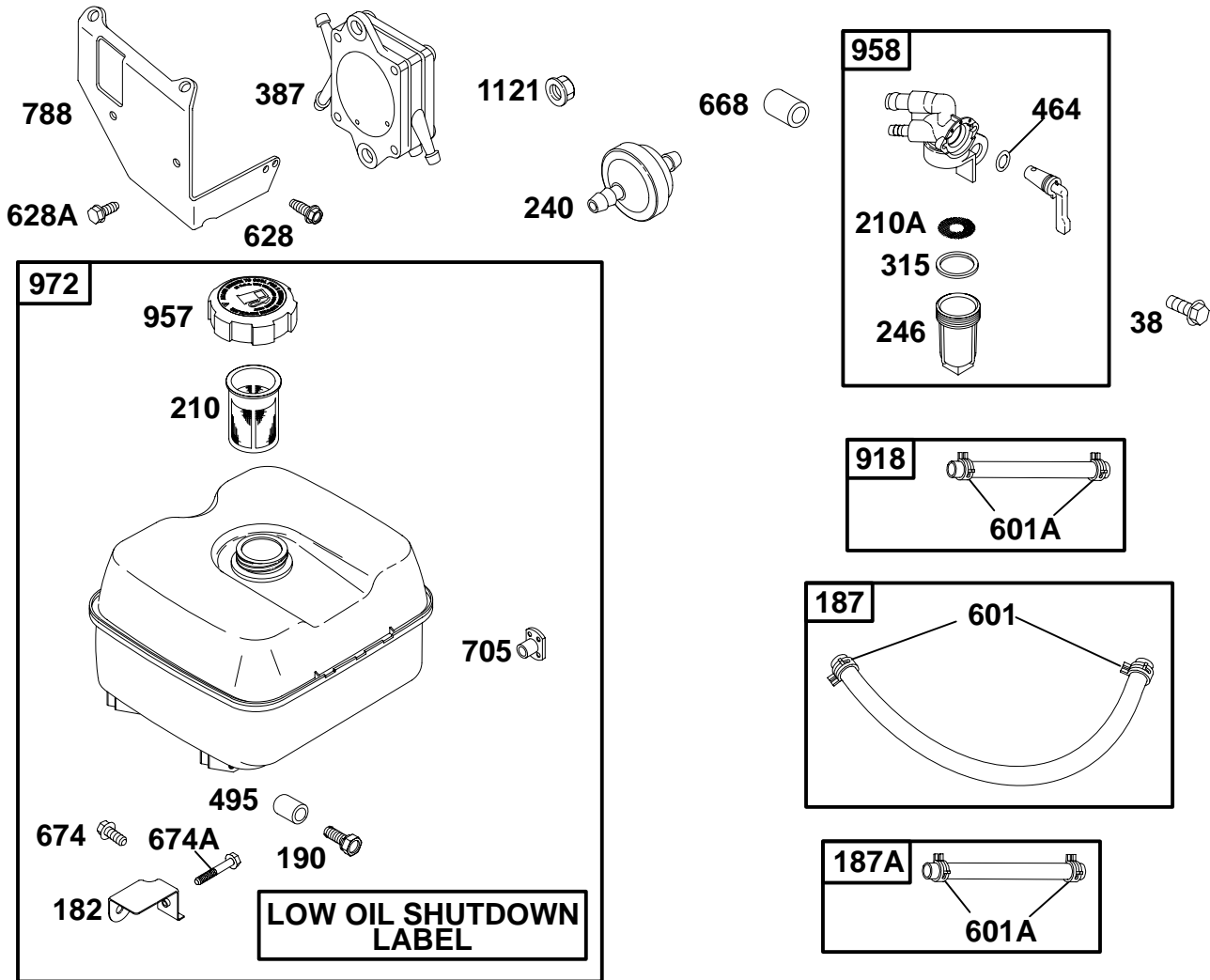


REF. NO.	PART NO.	DESCRIPTION	REF. NO.	PART NO.	DESCRIPTION	REF. NO.	PART NO.	DESCRIPTION
298	710090	Locknut-Muffler/Elbow	832A	710791	Guard-Muffler (Low Mount, Front)	883	Δ*710250	Gasket-Exhaust
300A	715600	Muffler (Low Mount)	832B	710792	Guard-Muffler (Low Mount, Rear)	1057A	710331	Screen-Outlet
303	715604	Elbow-Exhaust (Low Mount)	836	710074	Screw (Muffler Guard)			
421	710307	Screw (Outlet Screen)						

★ Included in Engine Gasket Set-Ref. No. 358.
 ◆ Included in Carburetor Gasket Set-Ref. No. 977.

● Included in Carburetor Overhaul Kit-Ref. No. 121.
 Δ Included in Valve Gasket Set-Ref. No. 1095.

245400 to 245499



REF. NO.	PART NO.	DESCRIPTION	REF. NO.	PART NO.	DESCRIPTION	REF. NO.	PART NO.	DESCRIPTION
38	710160	Screw (Fuel Shut Off Valve)	210A	710071	Strainer-Fuel	668	710159	Spacer
182	710491	Bracket-Fuel Tank	246	710070	Bowl-Fuel Filter	674	710023	Screw (Fuel Tank Bracket)
187	715125	Line-Fuel (Fuel Tank To Fuel Shut Off Valve)	315	710072	Seal-O Ring (Filter Bowl)	674A	710095	Screw (Fuel Tank Bracket)
187A	296004	Line-Fuel (Shut Off Valve To Carburetor) (Fuel Pump To Carburetor) (Fuel Filter To Fuel Pump)	387	715303	Pump-Fuel Used on Type No(s). 0127, 0527, 0539.	705	710509	Nut (Fuel Tank)
190	710047	Screw (Fuel Tank)	Note			788	710917	Bracket-Fuel Pump Used on Type No(s). 0127, 0527, 0539.
210	691370	Strainer-Fuel	808656		Pump-Fuel Used on Type No(s). 0299.	918	499214	Hose-Vacuum (Fuel Pump To Crankcase Cover/ Sump)
240	298090	Filter-Fuel	464	★710069	Seal-O Ring (Fuel Shut Off Valve)	957	491367	Cap-Fuel Tank
		Note	495	710508	Bushing	958	715224	Valve-Fuel Shut Off (Plastic)
		691035 Filter-Fuel Used on Type No(s). 0299.	601	710067	Clamp-Hose	972	715516	Tank-Fuel (Plastic)
			601A	95162	Clamp-Hose	1121	710068	Nut (Fuel Pump Bracket)
			628	710248	Screw (Fuel Pump Bracket)			
			628A	710234	Screw (Fuel Pump Bracket)			

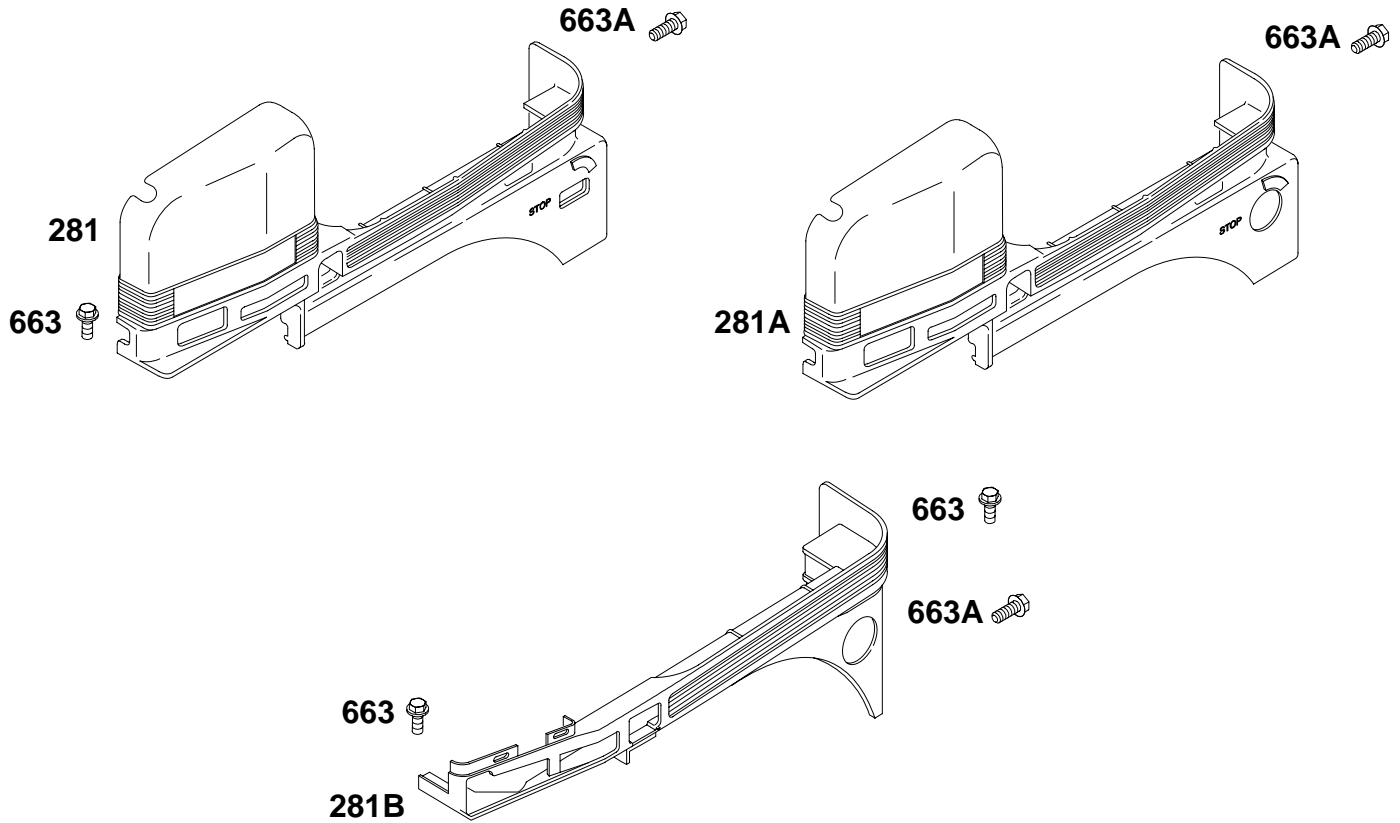
★ Included in Engine Gasket Set-Ref. No. 358.

◆ Included in Carburetor Gasket Set-Ref. No. 977.

● Included in Carburetor Overhaul Kit-Ref. No. 121.

△ Included in Valve Gasket Set-Ref. No. 1095.

245400 to 245499



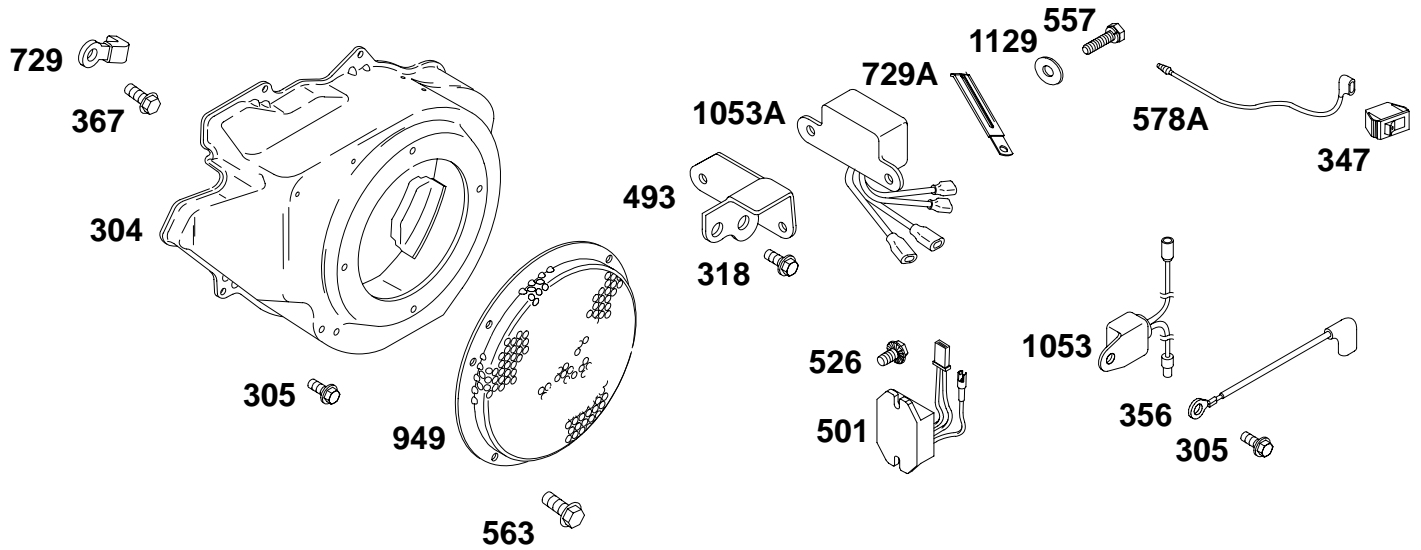
1036 EMISSIONS LABEL

REF. NO.	PART NO.	DESCRIPTION	REF. NO.	PART NO.	DESCRIPTION	REF. NO.	PART NO.	DESCRIPTION
281	710570	Panel-Control Note 710571 Panel-Control Used on Type No(s). 0042.	663	710234	Screw (Control Panel)			710887 Label-Emission (Used After Code Date 97063000 and Before Code Date 99010100).
281A	710577	Panel-Control Used on Type No(s). 0074, 0076, 0080, 0084, 0128, 0276, 0280, 0284, 0539.	663A	710095	Screw (Control Panel)			499357 Label-Emission (Used Before Code Date 97070100).
281B	710919	Panel-Control Used on Type No(s). 0550.	1036	710970	Label-Emission (Used After Code Date 99093000). Note 710920 Label-Emission (Used After Code Date 98123100 and Before Code Date 99100100).			

★ Included in Engine Gasket Set-Ref. No. 358.
◆ Included in Carburetor Gasket Set-Ref. No. 977.

● Included in Carburetor Overhaul Kit-Ref. No. 121.
△ Included in Valve Gasket Set-Ref. No. 1095.

245400 to 245499



REF. NO.	PART NO.	DESCRIPTION	REF. NO.	PART NO.	DESCRIPTION	REF. NO.	PART NO.	DESCRIPTION
304	710569	Housing-Blower Note 710574 Housing-Blower Used on Type No(s). 0074, 0076, 0080, 0084, 0128, 0276, 0280, 0284, 0528, 0539, 0541, 0550, 0555.	347	691995	Switch-Rocker (Without Lamp) Note 495098 Switch-Rocker (With Lamp)	557	710781	Screw (Oil Gard® Module)
305	710023	Screw (Blower Housing)	356	710120	Wire-Stop	563	710074	Screw (Debris Guard Screen)
318	710023	Screw (Mounting Bracket)	356A	710087	Wire-Stop	729	710083	Clip-Wire
			367	710023	Screw (Wire Clip)	729A	710407	Clip-Wire Used on Type No(s). 0299.
			493	710085	Bracket-Mounting (Oil Gard® Module) Used on Type No(s). 0299.	949	690475	Guard-Debris Screen
			501	691185	Regulator	1053	710305	Module-Oil Gard®
			526	710057	Screw (Regulator)	1053A	710408	Module-Oil Gard® Used on Type No(s). 0299.
						1129	710415	Screw (Oil Gard® Module)

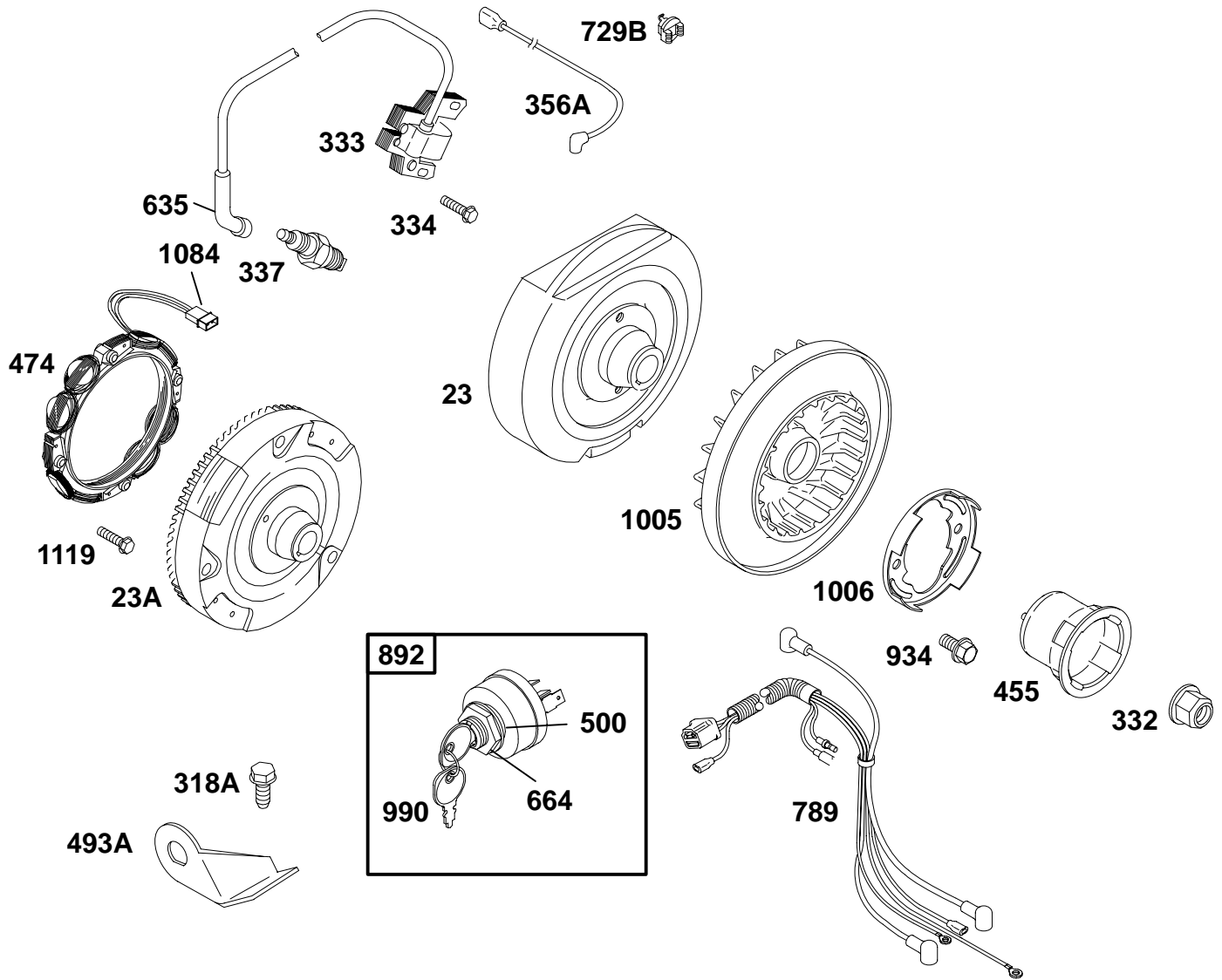
★ Included in Engine Gasket Set-Ref. No. 358.

◆ Included in Carburetor Gasket Set-Ref. No. 977.

● Included in Carburetor Overhaul Kit-Ref. No. 121.

△ Included in Valve Gasket Set-Ref. No. 1095.

245400 to 245499



REF. NO.	PART NO.	DESCRIPTION	REF. NO.	PART NO.	DESCRIPTION	REF. NO.	PART NO.	DESCRIPTION
23	715265	Flywheel (For Rewind Starter)	337	491055	Plug-Spark	635	710901	Boot-Spark Plug
23A	715258	Flywheel (Electric Start)	356B	710324	Wire-Stop	664	691087	Nut (Key Switch)
		Note			710097 Wire-Stop	729B	710046	Clip-Wire
		715260 Flywheel (Electric Start)			Used on Type No(s). 0299.	789	710576	Harness-Wiring
		Used on Type No(s). 0084, 0128, 0284, 0528, 0539, 0541.	455	710588	Cup-Flywheel	892	692318	Switch-Key
318	710057	Screw (Mounting Bracket)			Note	934	710550	Screw (Fan Retainer)
332	710345	Nut (Flywheel)			710820 Cup-Flywheel Used on Type No(s). 0299.	990	691959	Key Set
333	715231	Armature-Magneto	474	715262	Alternator	1005	691905	Fan-Flywheel
334	690938	Screw (Magneto Armature)	493A	710575	Bracket-Mounting (Key Switch)	1006	690452	Retainer-Fan
			500	691086	Washer (Key Switch)	1084	710386	Connector-Terminal
						1119	690938	Screw (Alternator)

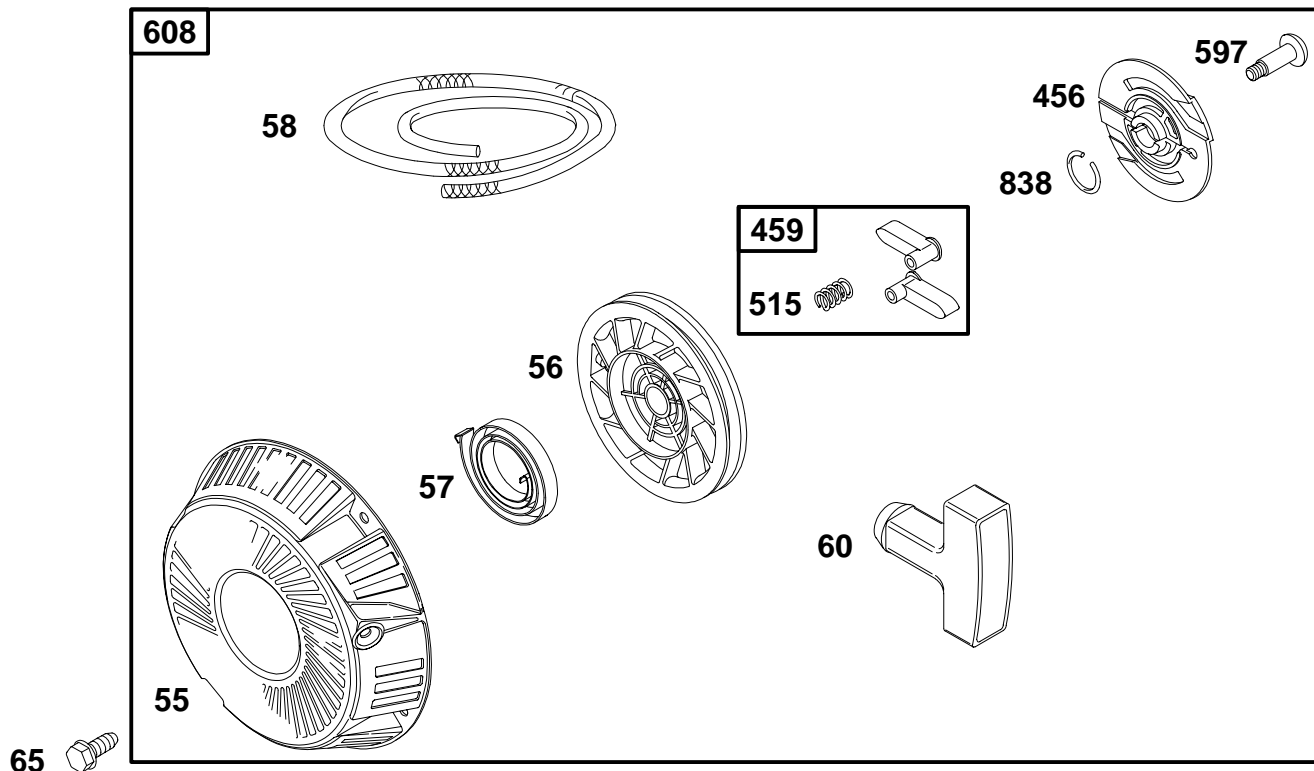
★ Included in Engine Gasket Set-Ref. No. 358.

◆ Included in Carburetor Gasket Set-Ref. No. 977.

● Included in Carburetor Overhaul Kit-Ref. No. 121.

△ Included in Valve Gasket Set-Ref. No. 1095.

245400 to 245499



REF. NO.	PART NO.	DESCRIPTION	REF. NO.	PART NO.	DESCRIPTION	REF. NO.	PART NO.	DESCRIPTION
55	691568	Housing-Rewind Starter	60	490652	Grip-Starter Rope	597	690876	Screw (Pawl Friction Plate)
56	692085	Pulley-Starter	65	710074	Screw (Rewind Starter)	608	692102	Starter-Rewind
57	692086	Spring-Rewind Starter	456	691529	Plate-Pawl Friction	838	690875	Adapter-Blower Housing Ring
58	66574	Rope-Starter (Cut to Required Length)	459	808166	Pawl-Ratchet			
			515	691528	Spring-Pawl			

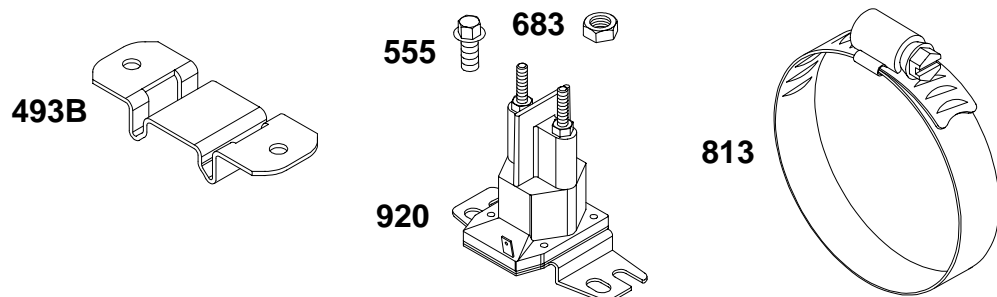
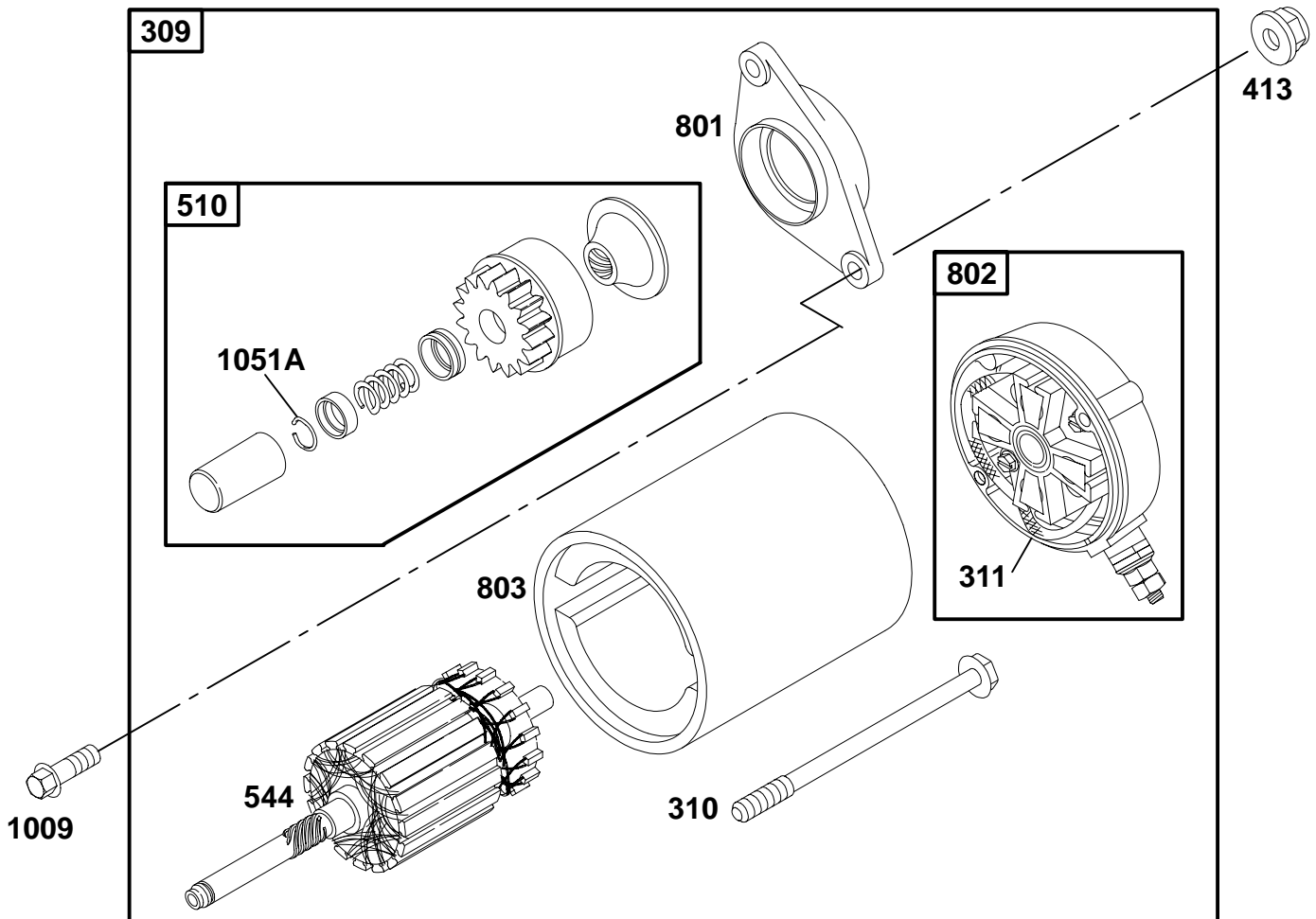
★ Included in Engine Gasket Set-Ref. No. 358.

◆ Included in Carburetor Gasket Set-Ref. No. 977.

● Included in Carburetor Overhaul Kit-Ref. No. 121.

△ Included in Valve Gasket Set-Ref. No. 1095.

245400 to 245499



REF. NO.	PART NO.	DESCRIPTION	REF. NO.	PART NO.	DESCRIPTION	REF. NO.	PART NO.	DESCRIPTION
309	715208	Motor-Starter (Steel Pinion)	510	496881	Drive-Starter	802	715393	Cap-End
310	710589	Bolt (Starter Motor)	544	496816	Armature-Starter	803	690854	Housing-Starter
311	496887	Brush Set	555	810059	Screw (Starter Solenoid)	813	690635	Clamp
413	710081	Nut (Starter Motor)	683	691029	Nut (Starter Solenoid)	920	691656	Solenoid-Starter
493B	691177	Bracket-Mounting	801	715394	Cap-Drive	1009	710348	Screw (Starter Motor)
						1051A	691124	Ring-Retaining

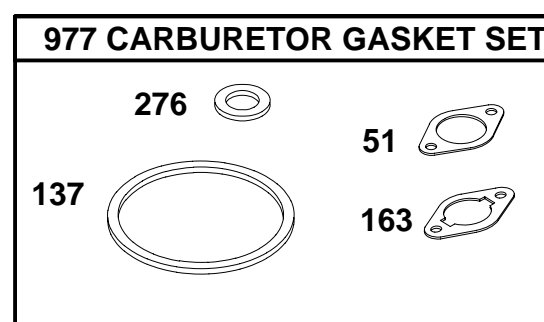
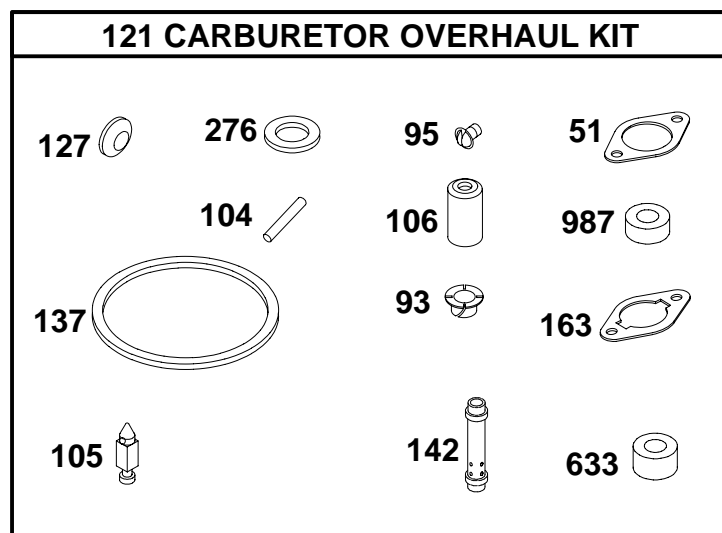
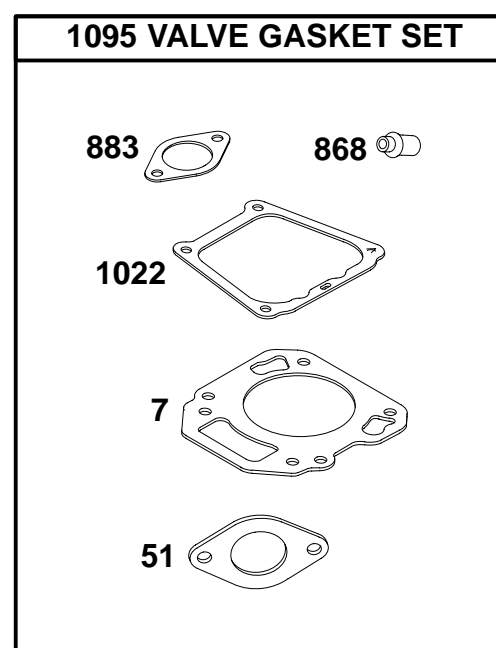
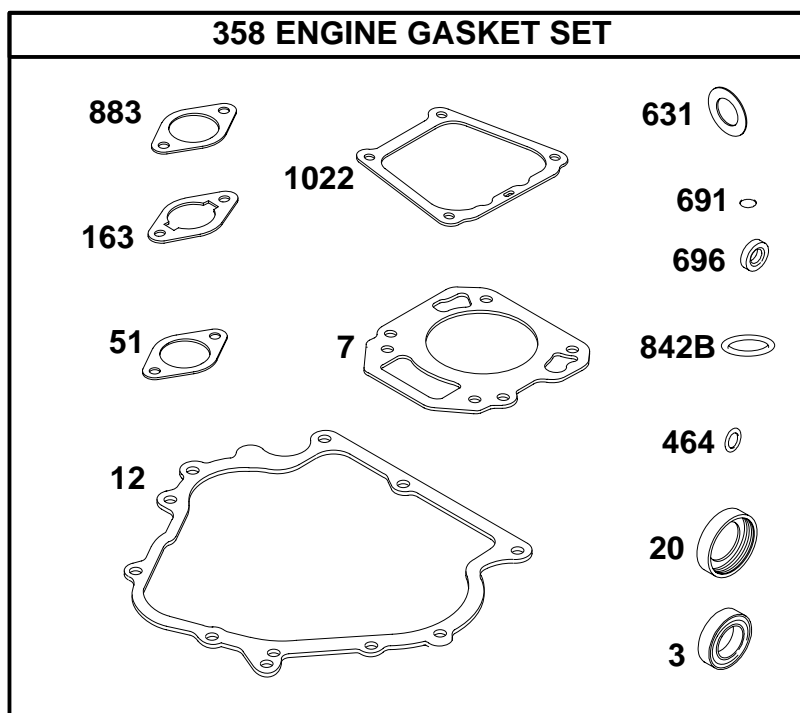
★ Included in Engine Gasket Set-Ref. No. 358.

◆ Included in Carburetor Gasket Set-Ref. No. 977.

● Included in Carburetor Overhaul Kit-Ref. No. 121.

△ Included in Valve Gasket Set-Ref. No. 1095.

245400 to 245499



REF. NO.	PART NO.	DESCRIPTION	REF. NO.	PART NO.	DESCRIPTION	REF. NO.	PART NO.	DESCRIPTION
3	★291675	Seal—Oil (Magneto Side)	121	715707	Kit—Carburetor Overhaul	633	●690597	Seal—Choke/Throttle Shaft
7	Δ★710539	Gasket—Cylinder Head	127	●695005	Plug—Welch	691	★710055	Seal—Governor Shaft
12	★710378	Gasket—Crankcase	137	●♦281165	Gasket—Float Bowl	696	★710091	Seal—O Ring
20	★291675	Seal—Oil (PTO Side)	142	●691462	Nozzle—Carburetor (Standard)	842B	★710218	Seal—O Ring
51	★♦♦710559	Gasket—Intake	163	★♦♦710557	Gasket—Air Cleaner	868	Δ710863	Seal—Valve
93	●690602	Bushing—Throttle Shaft	276	●♦692255	Washer—Sealing	883	Δ★710250	Gasket—Exhaust
95	●691636	Screw (Throttle Valve)	358	715383	Gasket Set—Engine	977	715391	Gasket Set—Carburetor
104	●690525	Pin—Float Hinge	464	★710069	Seal—O Ring (Fuel Shut Off Valve)	987	●691326	Seal—Throttle Shaft
105	●231855	Valve—Float Needle	631	★710004	Washer (Oil Drain Plug)	1022	Δ★710377	Gasket—Rocker Cover
106	●690577	Seat—Inlet				1095	715386	Gasket Set—Valve

★ Included in Engine Gasket Set—Ref. No. 358.

♦ Included in Carburetor Gasket Set—Ref. No. 977.

● Included in Carburetor Overhaul Kit—Ref. No. 121.

Δ Included in Valve Gasket Set—Ref. No. 1095.