



Illustrated Parts List

Model Series

219700

TYPE NUMBERS
0114 through 0381.

TABLE OF CONTENTS

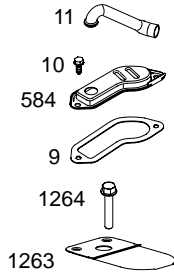
Air Cleaner	6
Alternator	9
Blower Housing	6
Camshaft	3
Carburetor	5
Controls	8
Crankshaft	3
Cylinder	2
Cylinder Head	4
Electric Starter	7
Engine Sump	2
Exhaust System	6
Flywheel	7
Fuel Supply	8
Gasket Set – Engine	4
Gasket Set – Valve	4
Ignition	8
Kit – Carburetor Overhaul	5
Lubrication	3
Piston, Rings, Connecting Rod	3
Rewind Starter	7
Valves	4



PRINTED IN U.S.A.

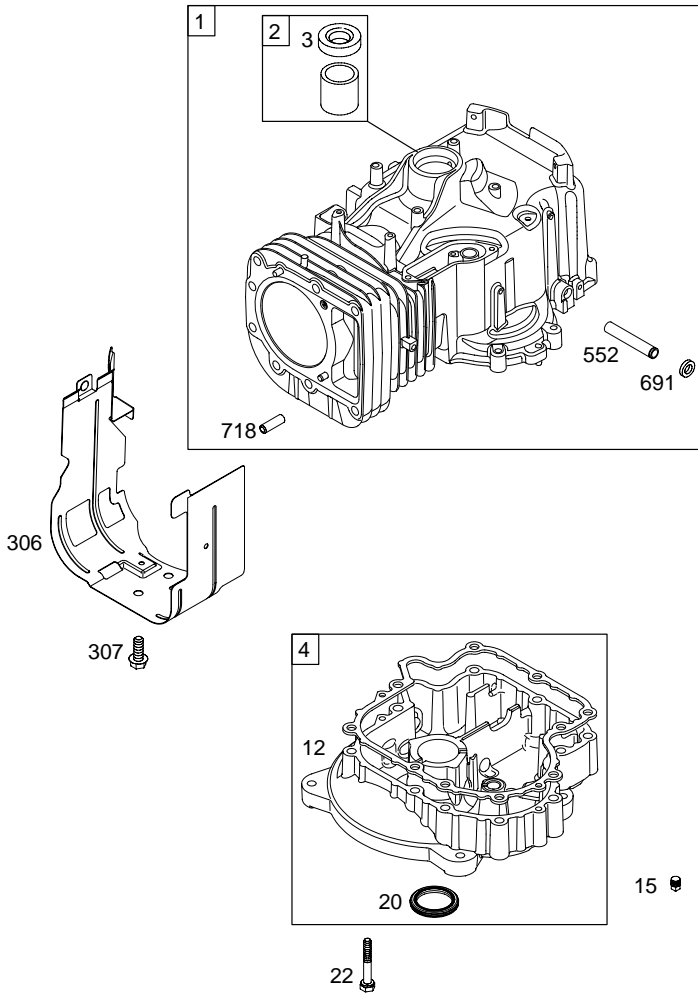
COPYRIGHT by BRIGGS & STRATTON CORPORATION
All rights reserved. No part of this material may be reproduced or transmitted, in any form or by any means, electronic or mechanical, including photocopying, recording or by any information storage and retrieval system, without permission in writing from Briggs & Stratton Corporation.

219700

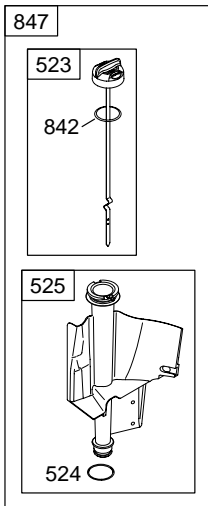
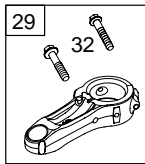
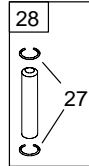
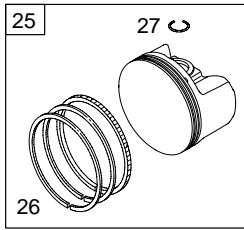


1058 OWNER'S MANUAL

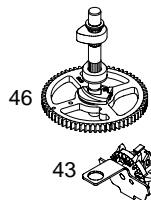
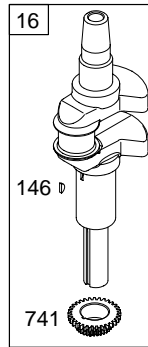
1330 REPAIR MANUAL



Illustrations cover a range of engines. Parts shown without corresponding text may not be used on your specific engine.
5877-2 Assemblies include all parts shown in frames. 02/03/2005

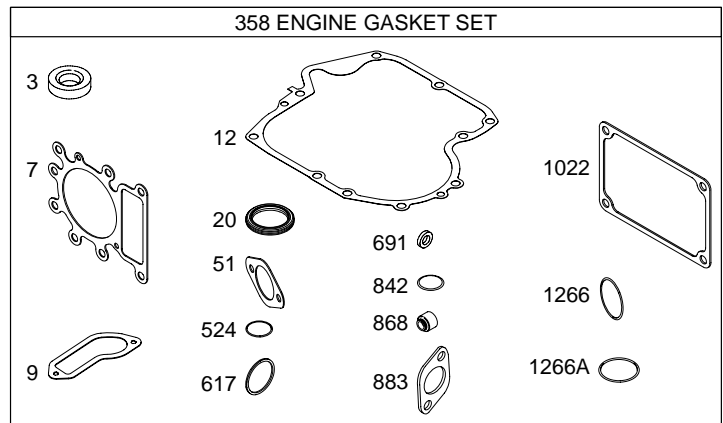
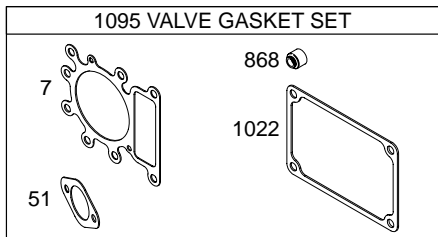
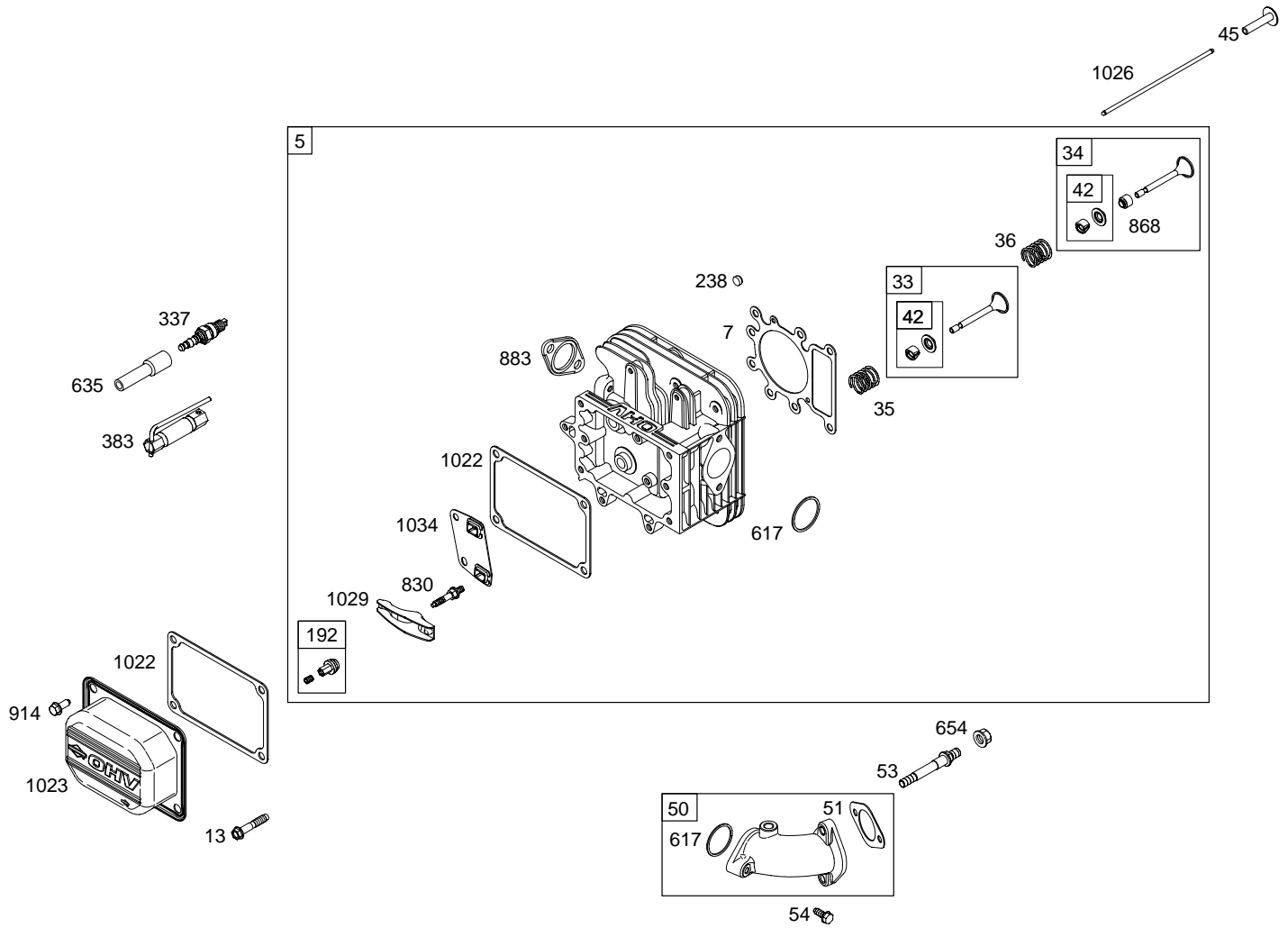


24

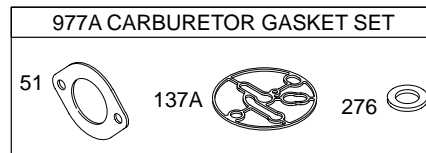
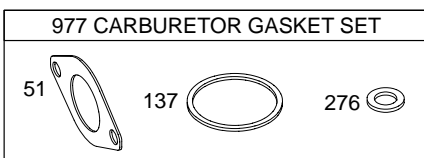
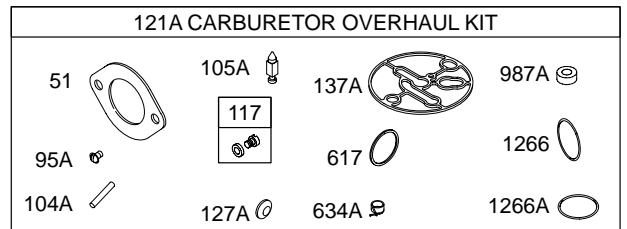
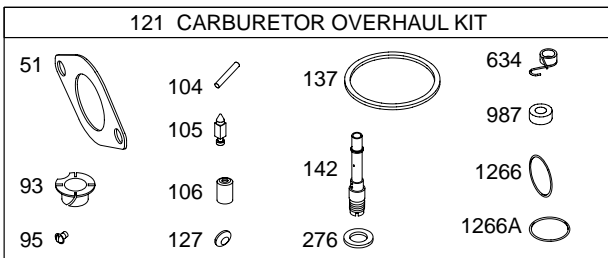
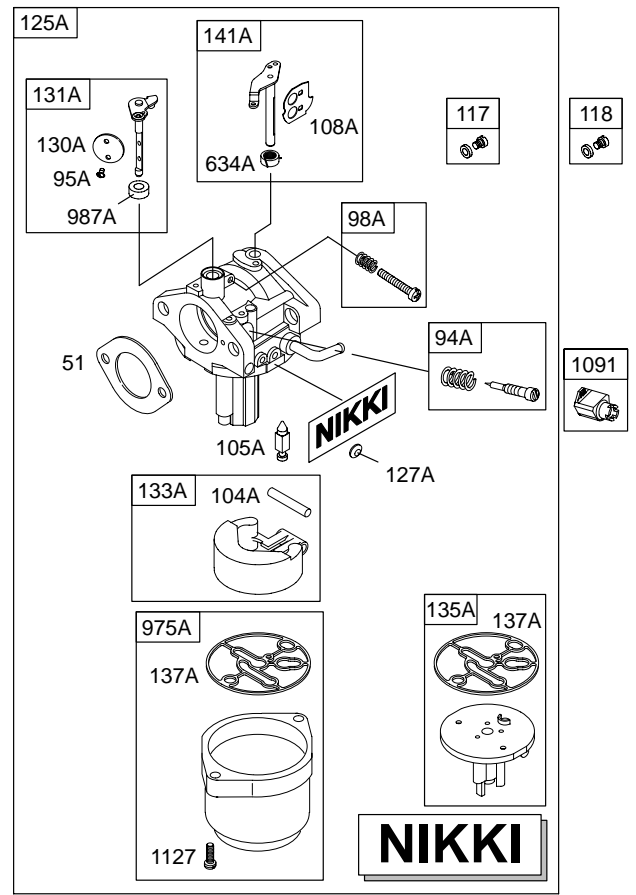
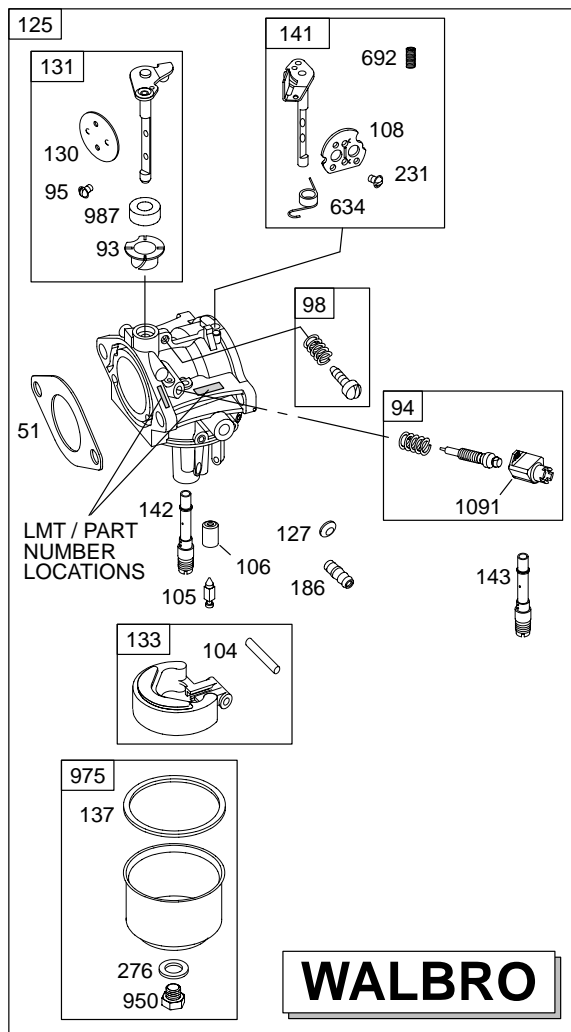


Illustrations cover a range of engines. Parts shown without corresponding text may not be used on your specific engine.
5877-3 Assemblies include all parts shown in frames. 02/03/2005

219700



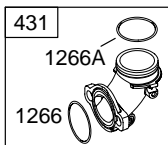
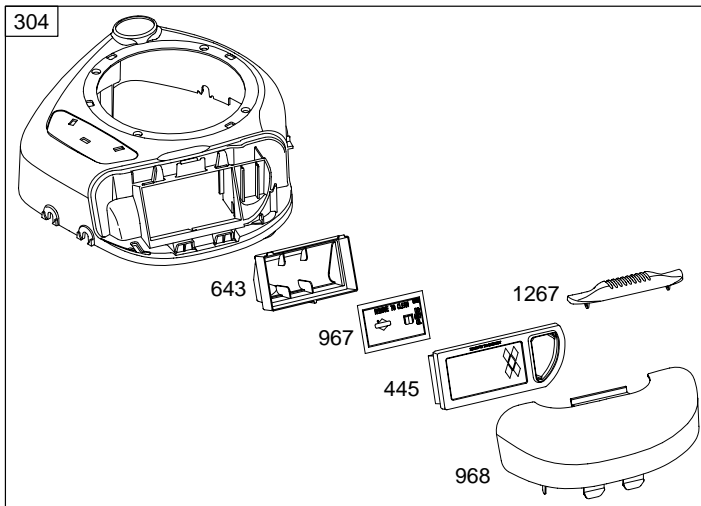
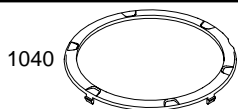
Illustrations cover a range of engines. Parts shown without corresponding text may not be used on your specific engine.
 5877-4 Assemblies include all parts shown in frames. 02/03/2005



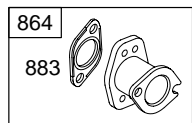
Illustrations cover a range of engines. Parts shown without corresponding text may not be used on your specific engine.
 5877-5 Assemblies include all parts shown in frames. 02/03/2005

219700

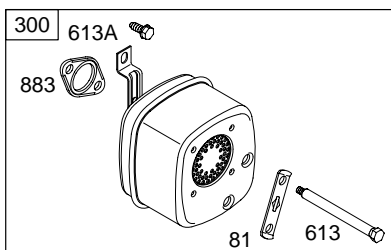
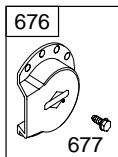
1036 EMISSION LABEL



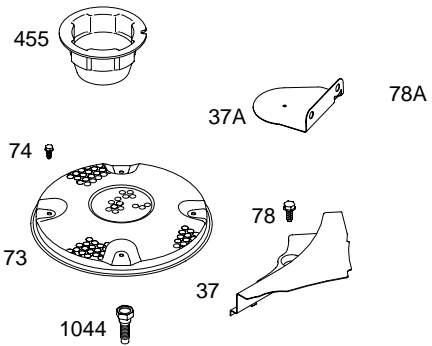
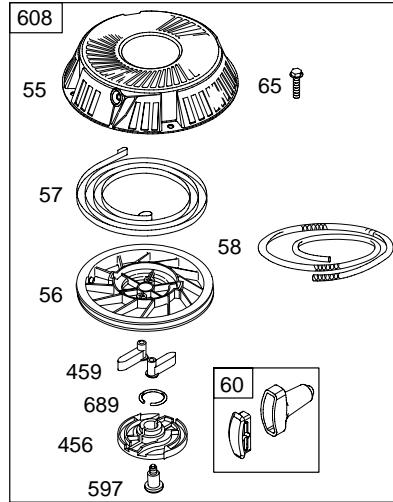
344



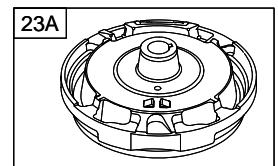
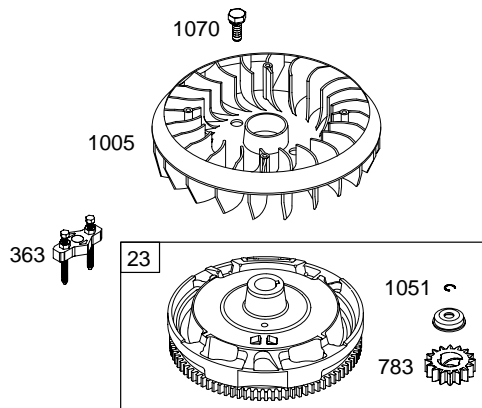
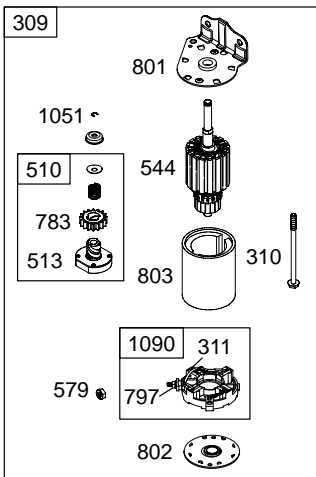
823



Illustrations cover a range of engines. Parts shown without corresponding text may not be used on your specific engine.
5877-6 Assemblies include all parts shown in frames. 02/03/2005

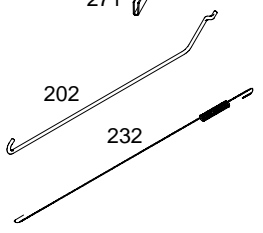
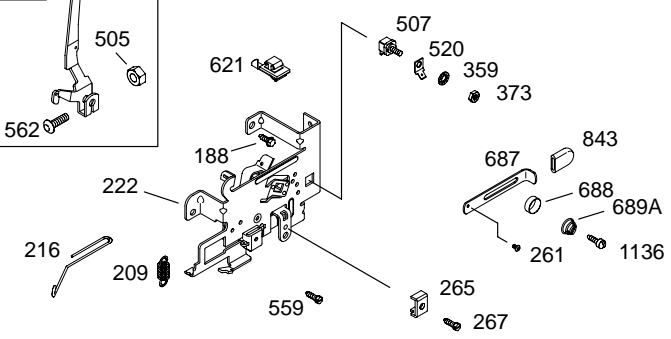
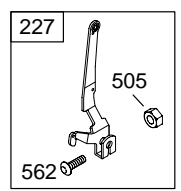
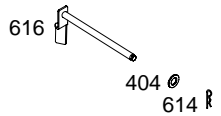
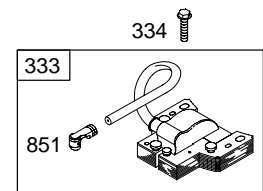
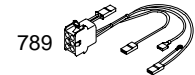
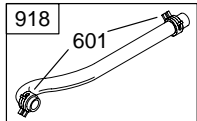
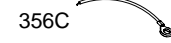
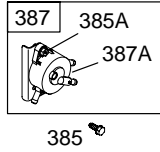
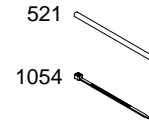
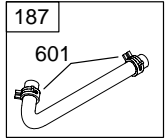


729A
697

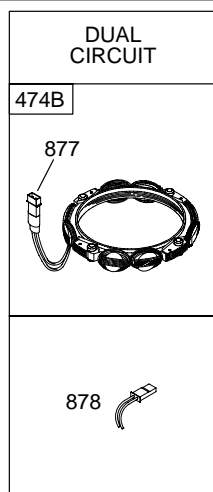



5877-7 *Illustrations cover a range of engines. Parts shown without corresponding text may not be used on your specific engine.* Assemblies include all parts shown in frames. 02/03/2005

219700



Illustrations cover a range of engines. Parts shown without corresponding text may not be used on your specific engine.
 5877-8 Assemblies include all parts shown in frames. 02/03/2005



NOTE: All stators use a No. 1119 mounting screw. 

NOTE: The proper flywheel part number and/or the alternator magnet size will determine the alternator type or output. See repair instruction manual for additional information.

219700

REF. NO.	PART NO.	DESCRIPTION	REF. NO.	PART NO.	DESCRIPTION	REF. NO.	PART NO.	DESCRIPTION
1	699045	Cylinder Assembly	28	697099	Pin-Piston	98	495800	Kit-Idle Speed
2	399265	Kit-Bushing/Seal (Magneto Side)	29	697364	Rod-Connecting (Standard)	98A	695408	Kit-Idle Speed
3	★391086	Seal-Oil (Magneto Side)			Note	104	●690525	Pin-Float Hinge
4	697106	Sump-Engine			697262	104A	●694918	Pin-Float Hinge
5	697396	Head-Cylinder			Rod-Connecting (.020" Undersize)	105	●231855	Valve-Float Needle
7	★Δ273280	Gasket-Cylinder Head	32	692852	Screw (Connecting Rod)	105A	●696136	Valve-Float Needle
9	★697109	Gasket-Breather				106	●690577	Seat-Inlet (Gravity Feed)
10	697157	Screw (Breather Assembly)	33	695760	Valve-Exhaust			Note
11	697113	Tube-Breather	34	695761	Valve-Intake			●691780 Seat-Inlet (Pump Feed)
12	★697110	Gasket-Crankcase (.015" Thick)(Standard)	35	691279	Spring-Valve (Intake)	108	691227	Valve-Choke
13	690360	Screw (Cylinder Head)	36	691279	Spring-Valve (Exhaust)	108A	698773	Valve-Choke
15	690946	Plug-Oil Drain (3/8" Standard)	37	697352	Guard-Flywheel	117	●699897	Jet-Main (Standard)
16	698382	Crankshaft	37A	697626	Guard-Flywheel Used on Type No(s). 0115.	118	699898	Jet-Main (High Altitude)
20	★690947	Seal-Oil (PTO Side)	42	499586	Keeper-Valve	121	790031	Kit-Carburetor Overhaul (Walbro)
22	692125	Screw (Crankcase Cover/Sump)	43	691968	Slinger-Governor/Oil	121A	698787	Kit-Carburetor Overhaul (Nikki)
23	698281	Flywheel	45	690564	Tappet-Valve	125	790022	Carburetor (Walbro) (Gravity Feed)
23A	698283	Flywheel Used on Type No(s). 0115.	46	790400	Camshaft			Used on Type No(s). 0115.
24	222698	Key-Flywheel	50	697361	Manifold-Intake	125A	791266	Carburetor (Nikki)(Pump Feed) Used on Type No(s). 0114.
25	698767	Piston Assembly (Standard)	51★Δ●692137	Gasket-Intake				Note
		Note	53	690227	Stud (Carburetor)			791178 Carburetor (Nikki)(Pump Feed) Used on Type No(s). 0026, 0189, 0300, 0313, 0380, 0381.
		698768 Piston Assembly (.010" Oversize)	54	691148	Screw (Intake Manifold)			
		698769 Piston Assembly (.020" Oversize)	55	695130	Housing-Rewind Starter			
		698770 Piston Assembly (.030" Oversize)	56	695129	Pulley-Starter			
26	698375	Ring Set (Standard)	57	695131	Spring-Rewind Starter			
		Note	58	695132	Rope-Starter			
		698376 Ring Set (.010" Oversize)	60	494212	Grip-Starter Rope			
		698377 Ring Set (.020" Oversize)	65	697725	Screw (Rewind Starter)			
		698378 Ring Set (.030" Oversize)	73	697133	Screen-Rotating			
27	698469	Lock-Piston Pin (Pink)	74	697897	Screw (Rotating Screen)			
			78	691003	Screw (Flywheel Guard)			
			78A	690364	Screw (Flywheel Guard)			
			81	691178	Lock-Muffler Screw			
			93	●690602	Bushing-Throttle Shaft			
			94	498030	Kit-Idle Mixture			
			94A	695425	Kit-Idle Mixture			
			95	●691636	Screw (Throttle Valve)			
			95A	●690718	Screw (Throttle Valve)			

★ Included in Engine Gasket Set-Ref. No.358.

● Included in Carburetor Overhaul Kit-Ref. No. 121 or 121A.

◆ Included in Carburetor Gasket Set-Ref. No. 977 or 977A.

Δ Included in Valve Gasket Set-Ref. No 1095.

Illustrations cover a range of engines. Parts shown without corresponding text may not be used on your specific engine.

219700

REF. NO.	PART NO.	DESCRIPTION	REF. NO.	PART NO.	DESCRIPTION	REF. NO.	PART NO.	DESCRIPTION
127	●694524	Plug–Welch	232	691842	Spring–Governor Link	311	497608	Brush Set
127A	●690727	Plug–Welch	238	691843	Cap–Valve	333	492341	Armature–Magneto
130	790024	Valve–Throttle	240	394358	Filter–Fuel (White, 75 Microns) Used on Type No(s). 0026, 0115, 0189, 0300, 0313, 0380, 0381.	334	691061	Screw (Magneto Armature)
130A	698774	Valve–Throttle				337	491055	Plug–Spark ———— Note ———— 691043 Plug–Spark Used on Type No(s). 0300, 0380.
131	790901	Kit–Throttle Shaft						
131A	698776	Kit–Throttle Shaft	240A	691035	Filter–Fuel (Clear, 40 Microns) Used on Type No(s). 0114.	344	693675	Screw (Cable Clamp) Used on Type No(s). 0380.
133	494381	Float–Carburetor				356	697397	Wire–Stop Used on Type No(s). 0026.
133A	694914	Float–Carburetor				356A	398808	Wire–Stop Used on Type No(s). 0114, 0115.
135A	698780	Tube–Fuel Transfer ———— Note ———— 790030 Tube–Fuel Transfer Used on Type No(s). 0114.	261	697176	Screw (Control Slide)	356C	399222	Wire–Stop Used on Type No(s). 0115.
137	◆281165	Gasket–Float Bowl	265	691024	Clamp–Casing	358	697151	Gasket Set–Engine
137A	◆698781	Gasket–Float Bowl	267	690804	Screw (Casing Clamp) ———— Note ———— 695134 Screw (Casing Clamp) Used on Type No(s). 0300, 0313, 0380, 0381.	359	691077	Washer (Ground Terminal)
141	790902	Kit–Choke Shaft	268	691025	Casing–Control Wire (Cut To Required Length)	363	19203	Puller–Flywheel
141A	698778	Kit–Choke Shaft	269	691026	Wire–Control (Cut To Required Length)	373	691612	Nut (Ground Terminal)
142	●790025	Nozzle–Carburetor (Standard)	270	691027	Nut (Control Wire Casing)	383	89838	Wrench–Spark Plug
143	790028	Nozzle–Carburetor (High Altitude)	271	691028	Lever–Control	385	694476	Screw (Fuel Pump) Used on Type No(s). 0114.
146	691639	Key–Timing	276	◆692255	Washer–Sealing	385A	690297	Screw (Fuel Pump) Used on Type No(s). 0114.
186	698174	Connector–Hose (Straight)	300	697048	Muffler (Lo Tone) Used on Type No(s). 0026, 0114, 0115.	387	697090	Pump–Fuel (Includes Mounting Bracket) Used on Type No(s). 0114.
187	699331	Line–Fuel (Formed)(Cut To Required Length)	304	698473	Housing–Blower (Black)	387A	808656	Pump–Fuel Used on Type No(s). 0114.
188	691693	Screw (Control Bracket)	305	697102	Screw (Blower Housing)	404	691691	Washer (Governor Crank)
192	691986	Adjuster–Rocker Arm	305A	697103	Screw (Blower Housing)			
202	691841	Link–Mechanical Governor	306	697359	Shield–Cylinder			
209	690480	Spring–Governor Used on Type No(s). 0114, 0189, 0300, 0380, 0381. ———— Note ———— 691798 Spring–Governor Used on Type No(s). 0026, 0115. 260902 Spring–Governor Used on Type No(s). 0313.	307	691003	Screw (Cylinder Shield)			
216	691840	Link–Choke	309	693551	Motor–Starter			
222	694042	Bracket–Control	310	690323	Screw (Starter Motor)			
227	691374	Lever–Governor Control						
231	691636	Screw (Choke Valve)						

★ Included in Engine Gasket Set–Ref. No.358.

● Included in Carburetor Overhaul Kit–Ref. No. 121 or 121A.

◆ Included in Carburetor Gasket Set–Ref. No. 977 or 977A.

△ Included in Valve Gasket Set–Ref. No 1095.

Illustrations cover a range of engines. Parts shown without corresponding text may not be used on your specific engine.
5877–11 Assemblies include all parts shown in frames. 4/3/2003

219700

REF. NO.	PART NO.	DESCRIPTION	REF. NO.	PART NO.	DESCRIPTION	REF. NO.	PART NO.	DESCRIPTION
431	697122	Elbow-Intake	634	●690802	Spring/Seal Assembly (Walbro)	843	697158	Sleeve-Lever
445	698413	Filter-Air Cleaner Cartridge (Non Washable)	634A	●698779	Spring/Seal Assembly (Nikki)	847	790442	Dipstick/Tube Assembly
455	695113	Cup-Flywheel	635	691909	Boot-Spark Plug			Note _____
456	695128	Plate-Pawl Friction	643	697155	Retainer-Air Filter			790443 Dipstick/Tube Assembly
459	281505	Pawl-Ratchet	654	690958	Nut (Carburetor)			Used on Type No(s). 0114.
474B	696459	Alternator (Dual Circuit)	676	393761	Deflector-Muffler (Side Out) Used on Type No(s). 0026, 0114, 0115.	851	692424	Terminal-Spark Plug
505	691251	Nut (Governor Control Lever)	677	690661	Screw (Muffler Deflector)	864	697346	Adapter-Muffler Used on Type No(s). 0114, 0115.
507	691972	Insulator	687	697175	Slide-Control Used on Type No(s). 0115.	868	★△690968	Seal-Valve
510	693699	Drive-Starter	688	690395	Cap-Friction Used on Type No(s). 0115.	877	393456	Wire/Connector-Alternator (Dual Circuit)
513	692024	Clutch-Drive	689	691855	Spring-Friction	878	691237	Harness-Alternator
520	691084	Terminal-Ground	689A	690529	Spring-Friction Used on Type No(s). 0115.	883	★692236	Gasket-Exhaust
521	690581	Shield-Cable	691	★692407	Seal-Governor Shaft	914	691108	Screw (Rocker Cover)
523	699908	Dipstick	692	691301	Spring-Detent Used on Type No(s). 0114.	918	697091	Hose-Vacuum (Molded) Used on Type No(s). 0114.
524	★691032	Seal-Dipstick Tube	697	690372	Screw (Drive Cap)	950	691657	Screw-Float Bowl (Bottom Of Bowl)
525	697184	Tube-Dipstick	718	690959	Pin-Locating	967	697292	Filter-Pre Cleaner
		Note _____	729	691335	Clip-Wire	968	697420	Cover-Air Cleaner (Black)
544	692034	Armature-Starter	729A	691224	Clip-Wire (Starter Motor)	975	495933	Bowl-Float
552	697144	Bushing-Governor Crank	741	697128	Gear-Timing	975A	698783	Bowl-Float
559	697561	Screw (Remote Choke Stop) Used on Type No(s). 0115.	783	693713	Gear-Pinion	977	690192	Gasket Set-Carburetor (Walbro)
562	691119	Bolt (Governor Control Lever)	789	698329	Harness-Wiring	977A	790032	Gasket Set-Carburetor (Nikki)
579	691029	Nut (Starter Cable)	797	693167	Nut (Brush Retainer)	987	●691326	Seal-Throttle Shaft
584	697112	Cover-Breather Passage	801	691283	Cap-Drive	987A	●698777	Seal-Throttle Shaft
597	691696	Screw (Pawl Friction Plate)	802	691286	Cap-End	1005	699044	Fan-Flywheel
601	95162	Clamp-Hose	803	693757	Housing-Starter	1022	★△272475	Gasket-Rocker Cover
608	695058	Starter-Rewind Used on Type No(s). 0115.	823	698941	Screw (Muffler Adapter)	1023	692492	Cover-Rocker
613	691416	Screw (Muffler)	830	691095	Stud-Rocker Arm	1026	697395	Rod-Push (Exhaust)
613A	691678	Screw (Muffler)	842	★691031	Seal-O Ring (Dipstick Tube)			Note _____
614	691620	Pin-Cotter						697394 Rod-Push (Intake)
616	692012	Crank-Governor						
617	★●692138	Seal-O Ring (Intake Manifold)						
621	692310	Switch-Stop Used on Type No(s). 0114, 0115.						

★ Included in Engine Gasket Set-Ref. No.358.

● Included in Carburetor Overhaul Kit-Ref. No. 121 or 121A.

◆ Included in Carburetor Gasket Set-Ref. No. 977 or 977A.

△ Included in Valve Gasket Set-Ref. No 1095.

Illustrations cover a range of engines. Parts shown without corresponding text may not be used on your specific engine.

219700

REF. NO.	PART NO.	DESCRIPTION	REF. NO.	PART NO.	DESCRIPTION	REF. NO.	PART NO.	DESCRIPTION
1029	691751	Arm-Rocker	1040	698368	Plate-Trim	1136	690278	Screw (Control Bracket)
1034	690822	Guide-Push Rod	1044	698139	Screw (Flywheel)	1263	697124	Reed-Breather
1036	790465	Label-Emissions (Used After Code Date 04063000)	1051	691265	Ring-Retaining	1264	697104	Screw (Breather Reed)
		Note	1054	280275	Tie-Cable	1266	★●691917	Seal-O Ring (Intake Elbow)
		790186	1058	275935	Operator's Manual	1266A	★●697123	Seal-O Ring (Intake Elbow)
		Label-Emissions (Used After Code Date 03123100 and Before Code Date 04070100).	1070	690372	Screw (Flywheel Fan)	1267	697419	Latch-Blower Housing (Black)
		697221	1090	691293	Retainer-Brush	1330	272147	Repair Manual
		Label-Emissions (Used Before Code Date 04010100)	1091	691333	Cap-Limiter			
			1095	691581	Gasket Set-Valve			
			1119	691183	Screw (Alternator)			
			1127	695407	Screw (Float Bowl)			

★ Included in Engine Gasket Set-Ref. No.358.

● Included in Carburetor Overhaul Kit-Ref. No. 121 or 121A.

◆ Included in Carburetor Gasket Set-Ref. No. 977 or 977A.

△ Included in Valve Gasket Set-Ref. No 1095.

Illustrations cover a range of engines. Parts shown without corresponding text may not be used on your specific engine.

5877-13

Assemblies include all parts shown in frames.

4/3/2003