



Illustrated Parts List

Model Series

217800

TYPE NUMBER
0111Through 0393.

TABLE OF CONTENTS

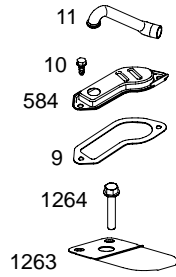
| | |
|--|---|
| Air Cleaner | 6 |
| Alternator | 9 |
| Blower Housing | 6 |
| Camshaft | 3 |
| Carburetor | 5 |
| Controls | 8 |
| Engine Sump | 2 |
| Crankshaft | 3 |
| Cylinder | 2 |
| Cylinder Head | 4 |
| Electric Starter | 7 |
| Exhaust System | 6 |
| Flywheel | 7 |
| Fuel System | 8 |
| Gasket Set - Engine | 4 |
| Gasket Set - Valve | 4 |
| Ignition | 8 |
| Intake Manifold | 4 |
| Kit - Carburetor Overhaul | 5 |
| Lubrication | 3 |
| Piston, Rings, Connecting Rod | 3 |
| Valves | 4 |



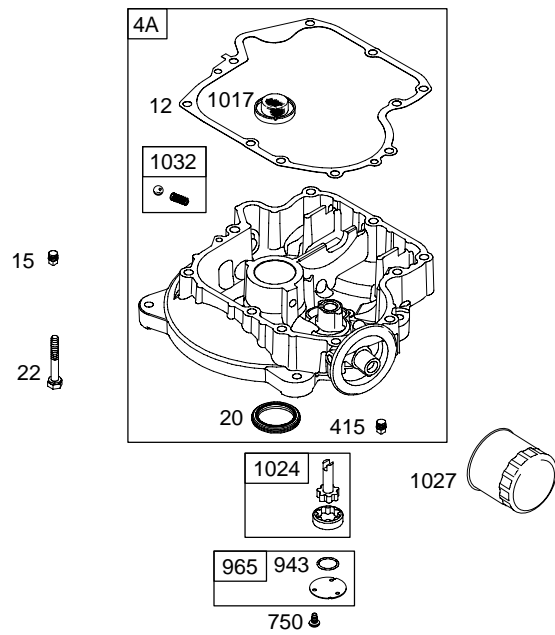
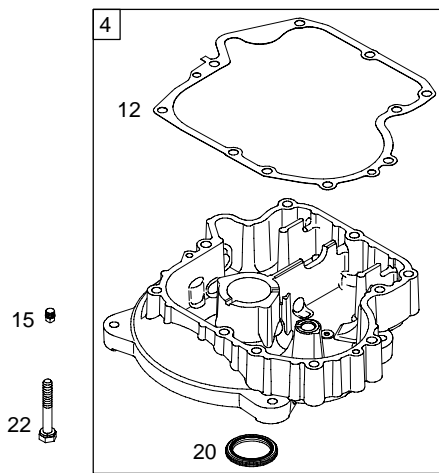
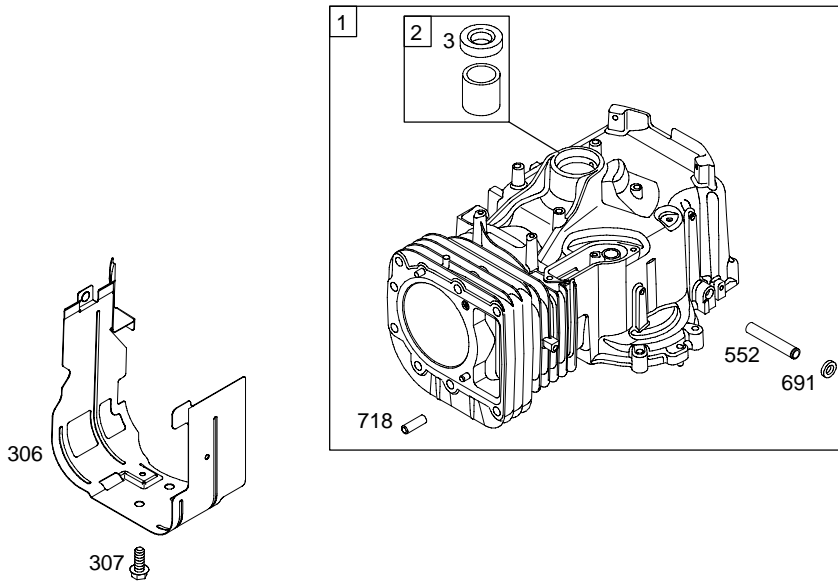
PRINTED IN U.S.A.

COPYRIGHT by BRIGGS & STRATTON CORPORATION
All rights reserved. No part of this material may be reproduced or transmitted, in any form or by any means, electronic or mechanical, including photocopying, recording or by any information storage and retrieval system, without permission in writing from Briggs & Stratton Corporation.

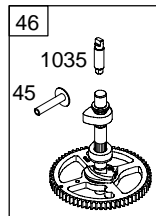
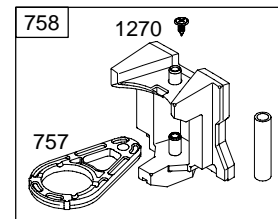
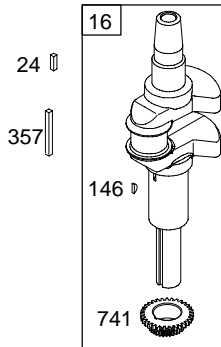
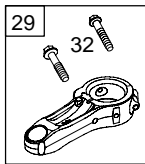
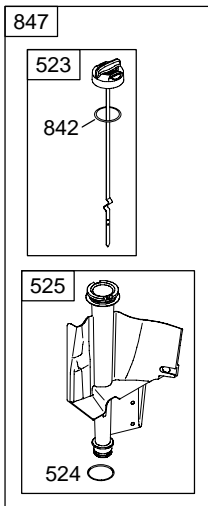
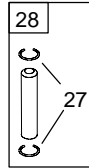
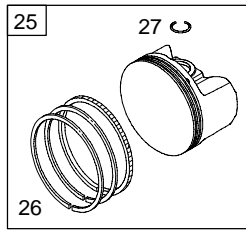
217800



- 1019 LABEL KIT
- 1058 OWNER'S MANUAL
- 1330 REPAIR MANUAL

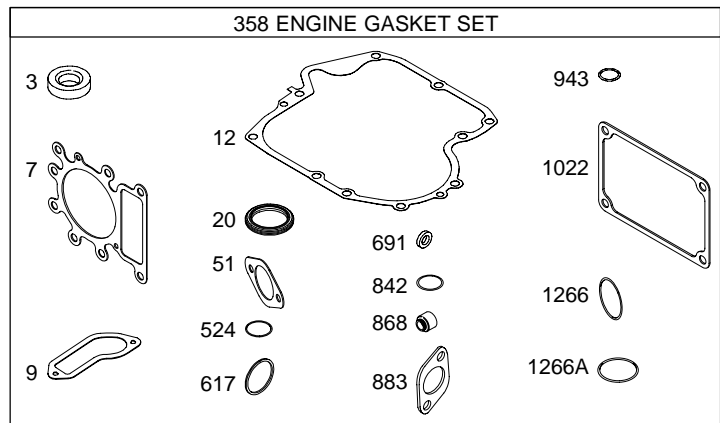
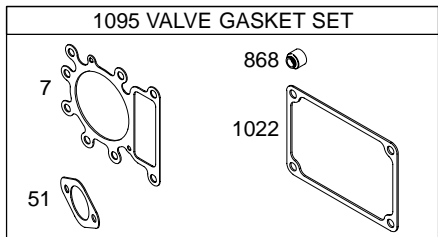
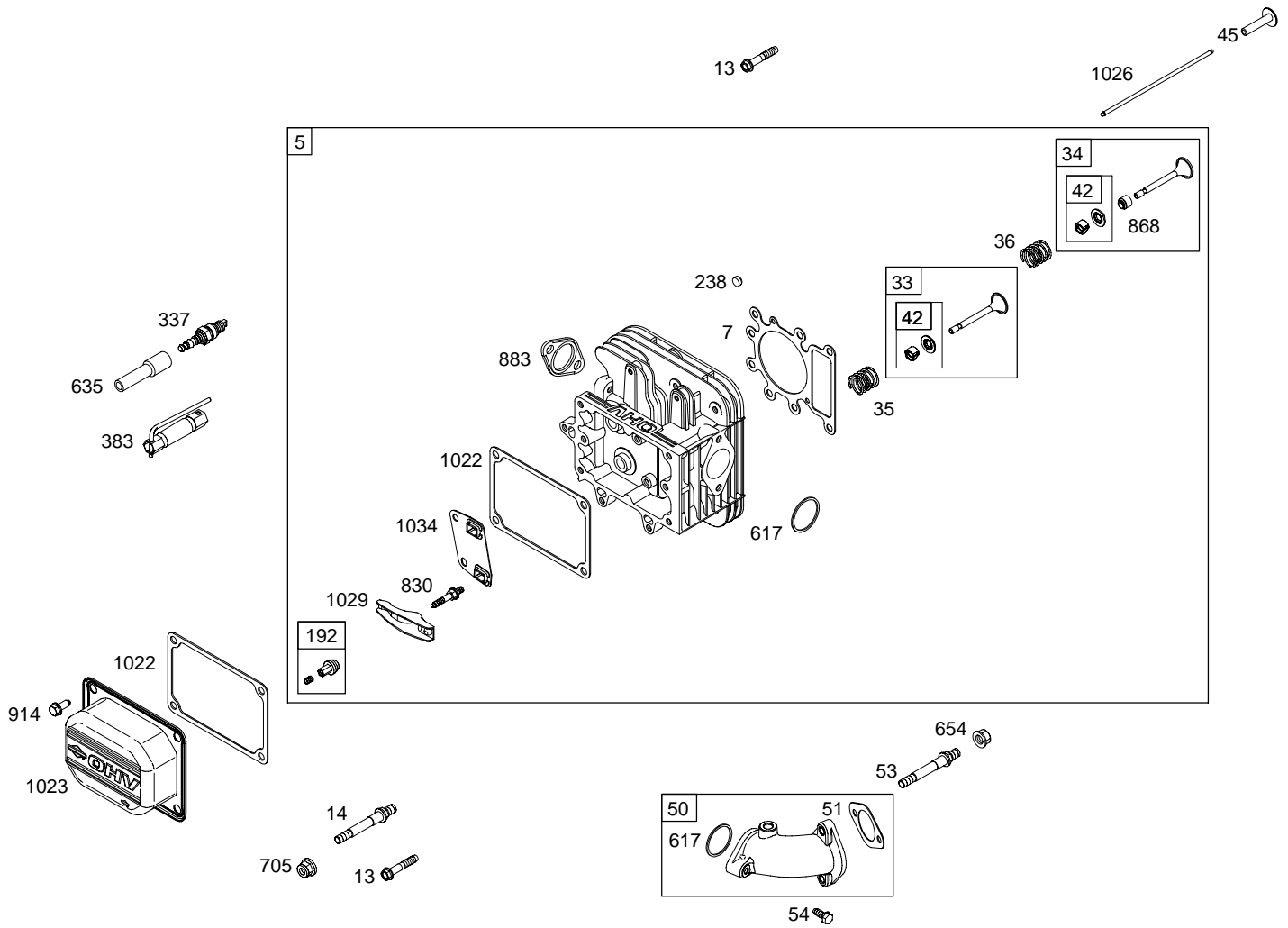


Illustrations cover a range of engines. Parts shown without corresponding text may not be used on your specific engine.
5498-2 Assemblies include all parts shown in frames. 03/03/2005

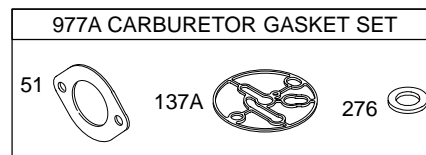
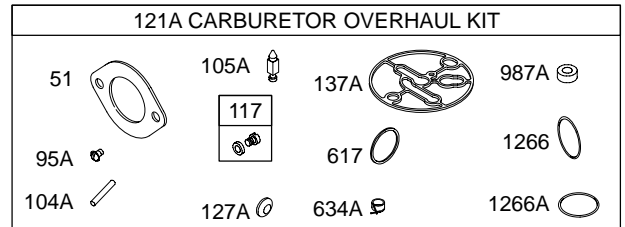
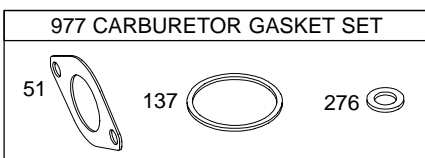
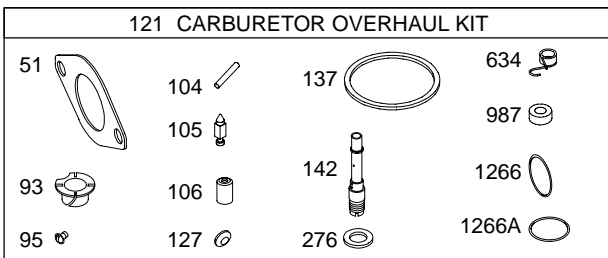
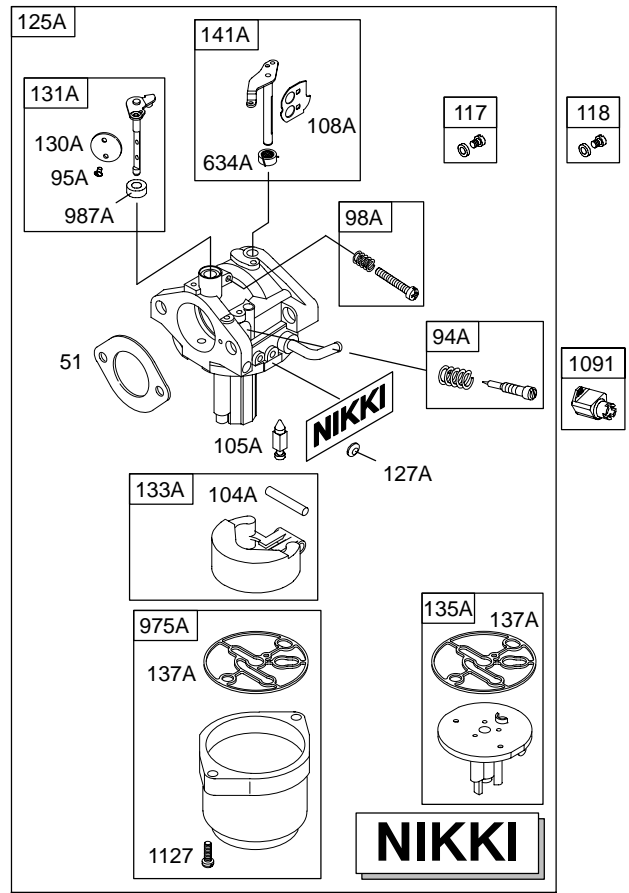
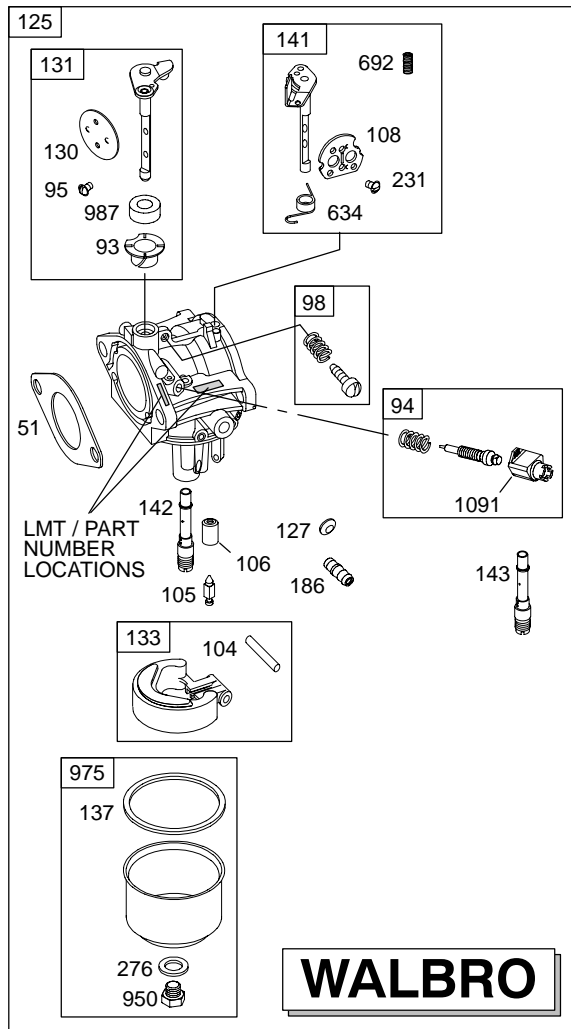


5498-3 *Illustrations cover a range of engines. Parts shown without corresponding text may not be used on your specific engine.* Assemblies include all parts shown in frames. 03/03/2005

217800



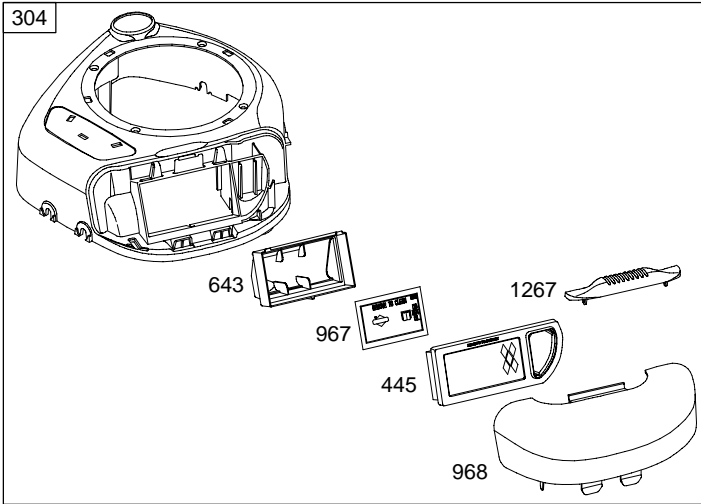
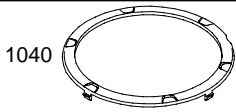
Illustrations cover a range of engines. Parts shown without corresponding text may not be used on your specific engine.
5498-4 Assemblies include all parts shown in frames. **03/03/2005**



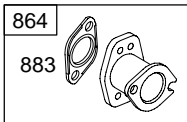
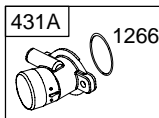
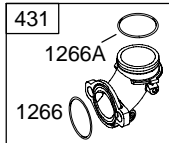
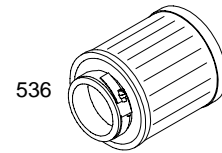
Illustrations cover a range of engines. Parts shown without corresponding text may not be used on your specific engine.

217800

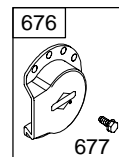
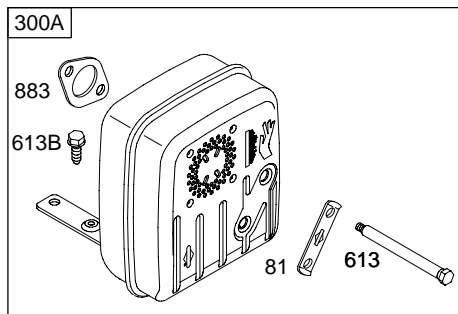
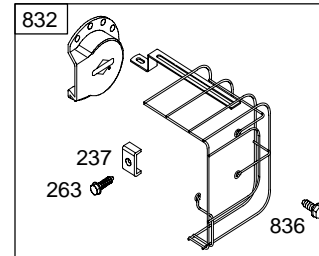
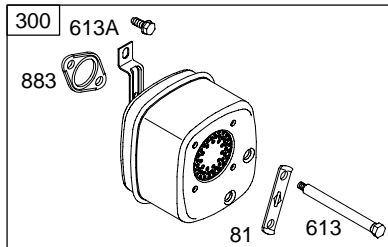
1036 EMISSION LABEL



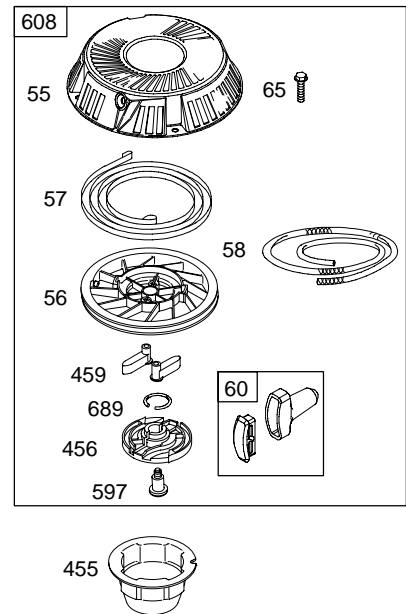
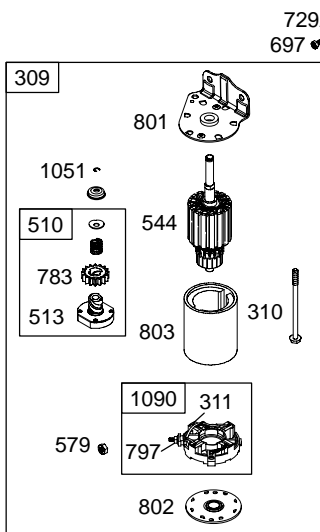
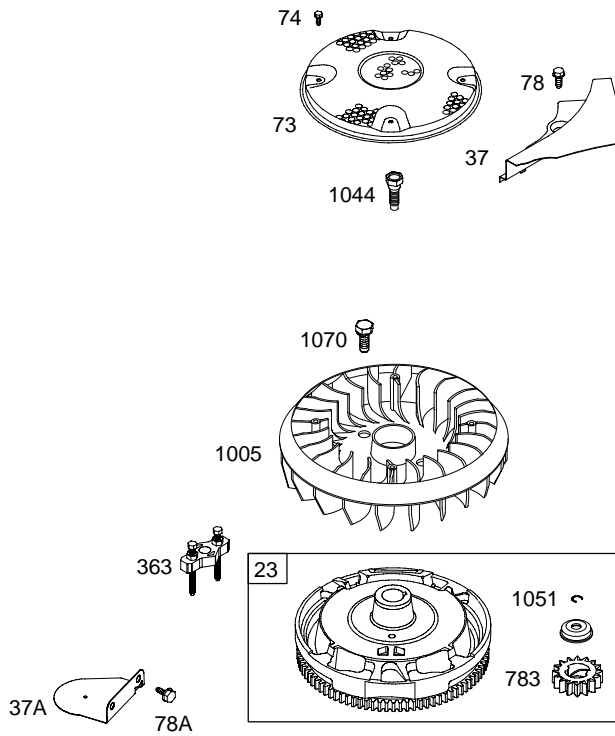
305A
305



823

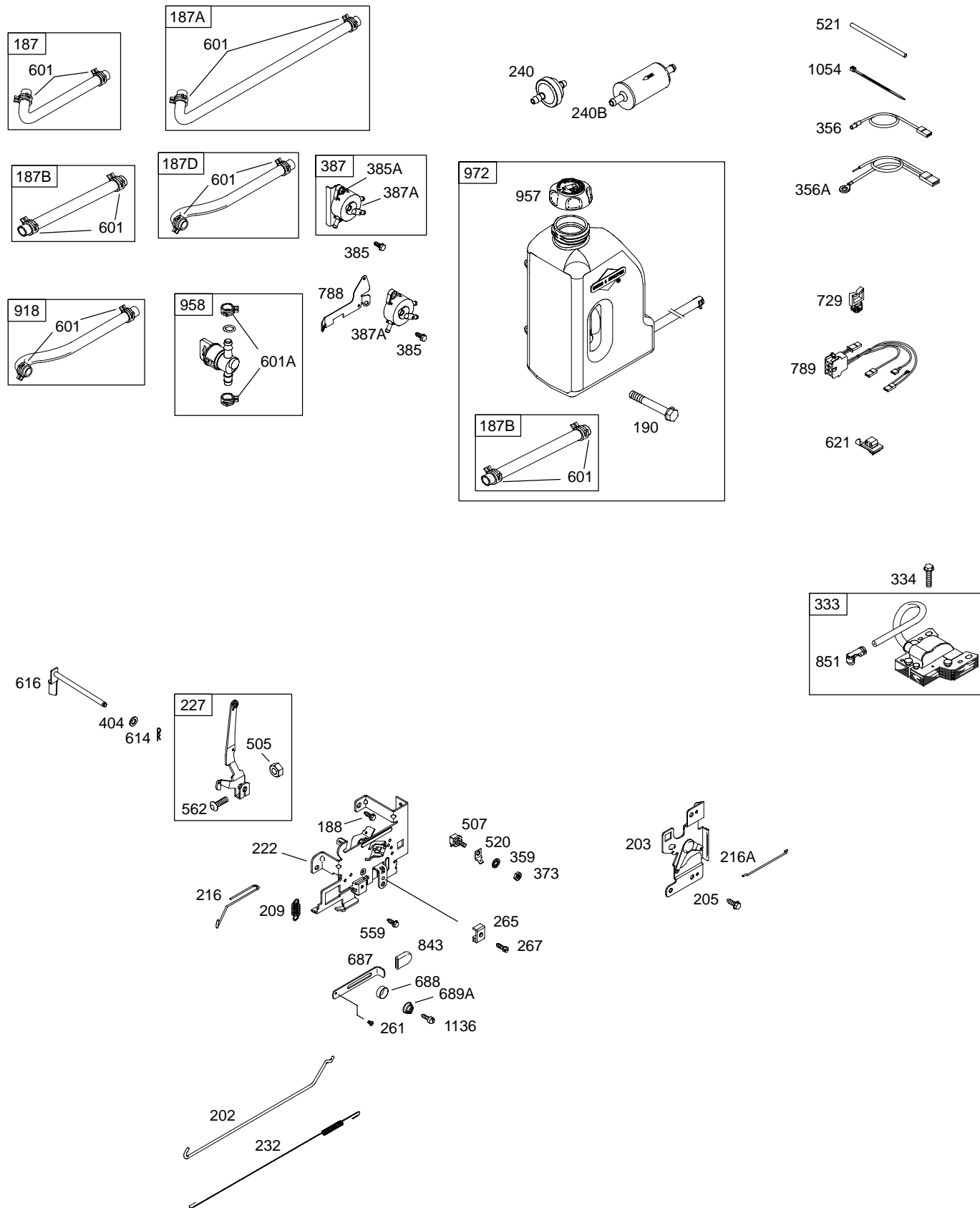


5498-6 *Illustrations cover a range of engines. Parts shown without corresponding text may not be used on your specific engine.* Assemblies include all parts shown in frames. 03/03/2005



5498-7 *Illustrations cover a range of engines. Parts shown without corresponding text may not be used on your specific engine.* Assemblies include all parts shown in frames. 03/03/2005

217800

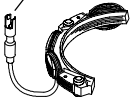

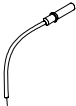




Illustrations cover a range of engines. Parts shown without corresponding text may not be used on your specific engine.

5498-8

Assemblies include all parts shown in frames.

03/03/2005

| DC ONLY | DUAL CIRCUIT |
|---|--|
| <p data-bbox="605 226 667 254">474A</p> <p data-bbox="646 279 708 306">877A</p>  | <p data-bbox="784 226 846 254">474B</p> <p data-bbox="824 279 857 306">877</p>  |
| <p data-bbox="634 527 672 554">578</p>  | <p data-bbox="841 527 878 554">878</p>  |

NOTE: All stators use a No. 1119 mounting screw. 

NOTE: The proper flywheel part number and/or the alternator magnet size will determine the alternator type or output. See repair instruction manual for additional information.

217800

| REF. NO. | PART NO. | DESCRIPTION | REF. NO. | PART NO. | DESCRIPTION | REF. NO. | PART NO. | DESCRIPTION |
|----------|----------|--|----------|----------|--|----------|----------|---|
| 1 | 697377 | Cylinder Assembly | 23 | 698281 | Flywheel Used on Type No(s). 0118, 0381, 0393. | 26 | 698375 | Ring Set (Standard) ----- Note ----- |
| 2 | 399265 | Kit-Bushing/Seal (Magneto Side) | | | | | | 698376 Ring Set (.010" Oversize) |
| 3 | ★391086 | Seal-Oil (Magneto Side) | | | ----- Note ----- | | | 698377 Ring Set (.020" Oversize) |
| 4 | 697106 | Sump-Engine Used on Type No(s). 0113, 0114, 0115, 0117, 0118, 0138, 0381, 0393. | | | 698283 Flywheel Used on Type No(s). 0113, 0114, 0115, 0117. | | | 698378 Ring Set (.030" Oversize) |
| 4A | 697188 | Sump-Engine Used on Type No(s). 0111. | | | 790920 Flywheel (Painted Flywheel) Used on Type No(s). 0138. | 27 | 698469 | Lock-Piston Pin |
| 5 | 697396 | Head-Cylinder | | | 790922 Flywheel (Painted Flywheel) Used on Type No(s). 0111, 0119. | 28 | 697099 | Pin-Piston |
| 7 | ★Δ273280 | Gasket-Cylinder Head | 24 | 222698 | Key-Flywheel | 29 | 697364 | Rod-Connecting (Standard) ----- Note ----- |
| 9 | ★697109 | Gasket-Breather | 25 | 698767 | Piston Assembly (Standard) Used on Type No(s). 0111, 0117, 0381. | | | 697262 Rod-Connecting (.020" Undersize) |
| 10 | 697157 | Screw (Breather Assembly) | | | ----- Note ----- | 32 | 692852 | Screw (Connecting Rod) |
| 11 | 697113 | Tube-Breather | | | 698769 Piston Assembly (.020" Oversize) Used on Type No(s). 0111, 0117, 0381. | 33 | 695760 | Valve-Exhaust |
| 12 | ★697110 | Gasket-Crankcase (.015" Thick)(Standard) | | | 698371 Piston Assembly (Standard) Used on Type No(s). 0113, 0114, 0115, 0118, 0119, 0138, 0393. | 34 | 695761 | Valve-Intake |
| 13 | 690360 | Screw (Cylinder Head) | | | 698394 Piston Assembly (.020" Oversize) Used on Type No(s). 0113, 0114, 0115, 0118, 0119, 0138, 0393. | 35 | 691279 | Spring-Valve (Intake) |
| 14 | 790560 | Stud (Cylinder Head) Used on Type No(s). 0114, 0115, 0117, 0118, 0119. | | | | 36 | 691279 | Spring-Valve (Exhaust) |
| 15 | 690946 | Plug-Oil Drain (Square Head) | | | | 37 | 697352 | Guard-Flywheel |
| 16 | 698382 | Crankshaft Used on Type No(s). 0111, 0117, 0381. ----- Note ----- | | | | 37A | 697626 | Guard-Flywheel Used on Type No(s). 0113, 0114, 0115, 0117, 0138. |
| | | 697390 Crankshaft Used on Type No(s). 0113, 0114, 0115, 0118, 0119, 0138, 0393. | | | | 42 | 499586 | Keeper-Valve |
| 20 | ★690947 | Seal-Oil (PTO Side) | | | | 43 | 691968 | Slinger-Governor/Oil |
| 22 | 692125 | Screw (Crankcase Cover/Sump) | | | | 45 | 690564 | Tappet-Valve |
| | | | | | | 46 | 790400 | Camshaft |
| | | | | | | 50 | 697361 | Manifold-Intake |
| | | | | | | 51★Δ◆ | 692137 | Gasket-Intake |
| | | | | | | 53 | 690227 | Stud (Carburetor) |
| | | | | | | 54 | 691148 | Screw (Intake Manifold) |

★ Included in Engine Gasket Set-Ref. No.358.

● Included in Carburetor Overhaul Kit-Ref. No. 121 or 121A.

◆ Included in Carburetor Gasket Set-Ref. No. 977 or 977A.

Δ Included in Valve Gasket Set-Ref. No 1095.

Illustrations cover a range of engines. Parts shown without corresponding text may not be used on your specific engine.

217800

| REF. NO. | PART NO. | DESCRIPTION | REF. NO. | PART NO. | DESCRIPTION | REF. NO. | PART NO. | DESCRIPTION |
|----------|----------|---|----------|----------|--|----------|----------|---|
| 55 | 695130 | Housing-Rewind Starter | 125 | 790021 | Carburetor (Walbro)(Pump Feed) Used on Type No(s). 0114. | 187D | 699883 | Line-Fuel (Formed)(14 Inches Long)(Cut To Required Length) |
| 56 | 695129 | Pulley-Starter | | | | | | Used on Type No(s). 0138. |
| 57 | 695131 | Spring-Rewind Starter | 125A | 791266 | Carburetor (Nikki)(Pump Feed) Used on Type No(s). 0111, 0115, 0117, 0118, 0119. | 188 | 691693 | Screw (Control Bracket) |
| 58 | 695132 | Rope-Starter | | | | 190 | 790931 | Screw (Fuel Tank) |
| 60 | 494212 | Grip-Starter Rope | | | | 192 | 691986 | Adjuster-Rocker Arm |
| 65 | 697725 | Screw (Rewind Starter) | | | | 202 | 691841 | Link-Mechanical Governor |
| 73 | 697133 | Screen-Rotating (Used After Code Date 03031600) ----- Note ----- 697384 Screen-Rotating (Used Before Code Date 03031700) | | | | 203 | 691381 | Crank-Bell Used on Type No(s). 0119. |
| 74 | 697897 | Screw (Rotating Screen) | 127 | 694524 | Plug-Welch | 205 | 691693 | Screw (Bell Crank) |
| 78 | 691003 | Screw (Flywheel Guard) | 127A | 690727 | Plug-Welch | 209 | 691798 | Spring-Governor Used on Type No(s). 0111, 0113, 0114, 0118. |
| 78A | 690364 | Screw (Flywheel Guard) | 130 | 790024 | Valve-Throttle | | | ----- Note ----- 690480 Spring-Governor Used on Type No(s). 0115, 0119, 0393. |
| 81 | 691178 | Lock-Muffler Screw | 130A | 698774 | Valve-Throttle | | | 691278 Spring-Governor Used on Type No(s). 0117. |
| 93 | 690602 | Bushing-Throttle Shaft | 131 | 494885 | Kit-Throttle Shaft | | | 260902 Spring-Governor Used on Type No(s). 0138, 0381. |
| 94 | 498030 | Kit-Idle Mixture | 131A | 698776 | Kit-Throttle Shaft | | | |
| 94A | 695425 | Kit-Idle Mixture | 133 | 494381 | Float-Carburetor | | | |
| 95 | 691636 | Screw (Throttle Valve) | 133A | 694914 | Float-Carburetor | | | |
| 95A | 690718 | Screw (Throttle Valve) | 135A | 790030 | Tube-Fuel Transfer | | | |
| 98 | 495800 | Kit-Idle Speed | 137 | 281165 | Gasket-Float Bowl | | | |
| 98A | 695408 | Kit-Idle Speed | 137A | 698781 | Gasket-Float Bowl | | | |
| 104 | 690525 | Pin-Float Hinge | 141 | 790902 | Kit-Choke Shaft | | | |
| 104A | 694918 | Pin-Float Hinge | 141A | 698778 | Kit-Choke Shaft | | | |
| 105 | 231855 | Valve-Float Needle | 142 | 790025 | Nozzle-Carburetor (Standard) | | | |
| 105A | 696136 | Valve-Float Needle | 143 | 790028 | Nozzle-Carburetor (High Altitude) | | | |
| 106 | 690577 | Seat-Inlet (Gravity Feed) ----- Note ----- 691780 Seat-Inlet (Pump Feed) | 146 | 691639 | Key-Timing | | | |
| 108 | 691227 | Valve-Choke | 186 | 698174 | Connector-Hose (Straight) | | | |
| 108A | 698773 | Valve-Choke | 187 | 699331 | Line-Fuel (Formed)(10-1/4 Inches Long)(Cut to Required Length) | 216 | 691840 | Link-Choke |
| 117 | 699897 | Jet-Main (Standard) | 187A | 699332 | Line-Fuel (Formed)(21 Inches Long)(Cut To Required Length) Used on Type No(s). 0119. | 216A | 691281 | Link-Choke Used on Type No(s). 0119. |
| 118 | 699898 | Jet-Main (High Altitude) | | | | 222 | 694042 | Bracket-Control |
| 121 | 790031 | Kit-Carburetor Overhaul (Walbro) | | | | 227 | 691374 | Lever-Governor Control |
| 121A | 698787 | Kit-Carburetor Overhaul (Nikki) | 187B | 691050 | Line-Fuel (Cut To Required Length) | 231 | 691636 | Screw (Choke Valve) |

★ Included in Engine Gasket Set-Ref. No.358.

● Included in Carburetor Overhaul Kit-Ref. No. 121 or 121A.

◆ Included in Carburetor Gasket Set-Ref. No. 977 or 977A.

△ Included in Valve Gasket Set-Ref. No 1095.

Illustrations cover a range of engines. Parts shown without corresponding text may not be used on your specific engine.

5498-11

Assemblies include all parts shown in frames.

03/03/2005

217800

| REF. NO. | PART NO. | DESCRIPTION | REF. NO. | PART NO. | DESCRIPTION | REF. NO. | PART NO. | DESCRIPTION |
|----------|----------|---|----------|----------|---|----------|----------|---|
| 232 | 691842 | Spring-Governor Link | 309 | 693551 | Motor-Starter | 415 | 690283 | Plug |
| 237 | 690409 | Retainer-Muffler Guard | | | Used on Type No(s). 0111, 0118, 0381, 0393. | | | (Sump) |
| | | Used on Type No(s). 0114, 0117. | 310 | 690323 | Screw | 431 | 697122 | Elbow-Intake |
| 238 | 691843 | Cap-Valve | | | (Starter Motor) | 431A | 698937 | Elbow-Intake |
| 240 | 394358 | Filter-Fuel | 311 | 497608 | Brush Set | | | Used on Type No(s). 0393. |
| | | (White, 75 Microns) | 333 | 492341 | Armature-Magneto | 445 | 698413 | Filter-Air Cleaner |
| | | Used on Type No(s). 0113, 0138, 0381. | 334 | 691061 | Screw | | | Cartridge |
| | | ----- Note ----- | | | (Magneto Armature) | 455 | 695113 | Cup-Flywheel |
| | | 298090 Filter-Fuel | 337 | 491055 | Plug-Spark | | | Used on Type No(s). 0113, 0114, 0115, 0117, 0118. |
| | | (Red, 150 Microns) | | | Used on Type No(s). 0113, 0114, 0115, 0117, 0118. | 456 | 695128 | Plate-Pawl Friction |
| | | Used on Type No(s). 0393. | | | ----- Note ----- | 459 | 281505 | Pawl-Ratchet |
| 240B | 691035 | Filter-Fuel | | | 691043 Plug-Spark | 474A | 696578 | Alternator |
| | | (Includes Paper | | | Used on Type No(s). 0111, 0119, 0138, 0381, 0393. | | | (DC Only) |
| | | Element With A 40 | 356 | 697397 | Wire-Stop | | | Used on Type No(s). 0118, 0393. |
| | | Micron Rating) | | | Used on Type No(s). 0111, 0118, 0138, 0393. | 474B | 696459 | Alternator |
| | | Used on Type No(s). 0111, 0114, 0115, 0117, 0118, 0119. | 356A | 398808 | Wire-Stop | | | (Dual Circuit) |
| 261 | 697176 | Screw | | | Used on Type No(s). 0113, 0114, 0115, 0117, 0119. | | | Used on Type No(s). 0111, 0119, 0381. |
| | | (Control Slide) | 357 | 691483 | Key-Drive Pulley | 505 | 691251 | Nut |
| 263 | 691083 | Screw | | | Used on Type No(s). 0138. | | | (Governor Control |
| | | (Muffler Guard | 358 | 697151 | Gasket Set-Engine | 507 | 691972 | Insulator |
| | | Retainer) | 359 | 691077 | Washer | 510 | 693699 | Drive-Starter |
| 265 | 691024 | Clamp-Casing | | | (Ground Terminal) | 513 | 692024 | Clutch-Drive |
| 267 | 690804 | Screw | 363 | 19203 | Puller-Flywheel | 520 | 691084 | Terminal-Ground |
| | | (Casing Clamp) | 373 | 691612 | Nut | 521 | 690581 | Shield-Cable |
| 276 | ◆692255 | Washer-Sealing | | | (Ground Terminal) | 523 | 699908 | Dipstick |
| 300 | 697048 | Muffler | 383 | 89838 | Wrench-Spark Plug | 524 | ★691032 | Seal-Dipstick Tube |
| | | Used on Type No(s). 0111, 0114, 0115, 0117. | 385 | 694476 | Screw | 525 | 697085 | Tube-Dipstick |
| 300A | 697349 | Muffler | | | (Fuel Pump) | | | Used on Type No(s). 0111, 0114, 0115, 0117, 0118, 0119. |
| | | Used on Type No(s). 0118, 0119, 0138. | 385A | 690297 | Screw | | | ----- Note ----- |
| 304 | 698473 | Housing-Blower | | | (Fuel Pump) | | | 697184 Tube-Dipstick |
| | | (Black) | 387 | 697090 | Pump-Fuel | 536 | 698973 | Cleaner-Air |
| | | Used on Type No(s). 0113, 0114, 0115, 0117, 0118, 0138. | | | (Includes Mounting Bracket) | | | Used on Type No(s). 0393. |
| | | ----- Note ----- | 387A | 808656 | Pump-Fuel | 544 | 692034 | Armature-Starter |
| | | 699085 | | | Used on Type No(s). 0111, 0114, 0115, 0117, 0118. | 552 | 697144 | Bushing-Governor |
| | | Housing-Blower | | | Used on Type No(s). 0111, 0114, 0115, 0117, 0118, 0119. | | | Crank |
| | | (Red) | 404 | 691691 | Washer | 559 | 697561 | Screw |
| | | Used on Type No(s). 0111, 0119, 0381. | | | (Governor Crank) | | | (Remote Choke Stop) |
| 305 | 697102 | Screw | | | | | | |
| | | (Blower Housing) | | | | | | |
| 305A | 697103 | Screw | | | | | | |
| | | (Blower Housing) | | | | | | |
| 306 | 697359 | Shield-Cylinder | | | | | | |
| 307 | 691003 | Screw | | | | | | |
| | | (Cylinder Shield) | | | | | | |

★ Included in Engine Gasket Set-Ref. No.358.

● Included in Carburetor Overhaul Kit-Ref. No. 121 or 121A.

◆ Included in Carburetor Gasket Set-Ref. No. 977 or 977A.

△ Included in Valve Gasket Set-Ref. No 1095.

Illustrations cover a range of engines. Parts shown without corresponding text may not be used on your specific engine.

217800

| REF. NO. | PART NO. | DESCRIPTION | REF. NO. | PART NO. | DESCRIPTION | REF. NO. | PART NO. | DESCRIPTION |
|----------|----------|---|----------|----------|---|----------|----------|---|
| 562 | 691119 | Bolt (Governor Control Lever) | 687 | 697175 | Slide-Control | 843 | 697158 | Sleeve-Lever |
| 578 | 692306 | Wire Assembly | 688 | 690395 | Cap-Friction | 847 | 790443 | Dipstick/Tube Assembly Used on Type No(s). 0111, 0114, 0115, 0117, 0118, 0119. |
| 579 | 691029 | Nut (Starter Cable) | 689 | 691855 | Spring-Friction | | | ----- Note ----- |
| 584 | 697112 | Cover-Breather Passage | 689A | 690529 | Spring-Friction | | | 790442 Dipstick/Tube Assembly Used on Type No(s). 0113, 0138, 0381, 0393. |
| 597 | 691696 | Screw (Pawl Friction Plate) | 691 | ★692407 | Seal-Governor Shaft | 851 | 692424 | Terminal-Spark Plug |
| 601 | 95162 | Clamp-Hose (Zinc Plate)(Spring Wire) | 692 | 691301 | Spring-Detent | 864 | 697346 | Adapter-Muffler Used on Type No(s). 0111, 0114, 0115, 0117, 0118, 0119, 0138. |
| 601A | 691038 | Clamp-Hose (Black)(Spring Steel) | 697 | 690372 | Screw (Drive Cap) | | | |
| 608 | 695058 | Starter-Rewind Used on Type No(s). 0113, 0114, 0115, 0117, 0119. | 705 | 790561 | Nut (Fuel Tank) | | | |
| 613 | 691416 | Screw (Muffler) | 718 | 690959 | Pin-Locating | | | |
| 613A | 691678 | Screw (Muffler) | 729 | 691335 | Clip-Wire (Wire Retainer) | | | |
| 613B | 690297 | Screw (Muffler) | 729A | 691224 | Clip-Wire (Starter Motor) | | | |
| 614 | 691620 | Pin-Cotter | 741 | 697128 | Gear-Timing | | | |
| 616 | 692012 | Crank-Governor | 750 | 790832 | Screw (Oil Pump Cover) | | | |
| 617 | ★●692138 | Seal-O Ring (Intake Manifold) | 757 | 697607 | Link-Counterweight Used on Type No(s). 0113, 0114, 0115, 0118, 0393. | 868 | ★△690968 | Seal-Valve |
| 621 | 692310 | Switch-Stop Used on Type No(s). 0117, 0119. | 758 | 697391 | Counterweight Used on Type No(s). 0113, 0114, 0115, 0118, 0393. | 877 | 393456 | Wire/Connector-Alternator (Dual Circuit) |
| 634 | ●690802 | Spring/Seal Assembly | 783 | 693713 | Gear-Pinion | 877A | 393814 | Wire/Connector-Alternator (DC Only) |
| 634A | ●698779 | Spring/Seal Assembly | 788 | 699347 | Bracket-Fuel Pump Used on Type No(s). 0119. | 878 | 691237 | Harness-Alternator (Dual Circuit) |
| 635 | 691909 | Boot-Spark Plug | 789 | 695050 | Harness-Wiring Used on Type No(s). 0381. | 883 | ★692236 | Gasket-Exhaust |
| 643 | 697155 | Retainer-Air Filter | 797 | 693167 | Nut (Brush Retainer) | 914 | 691108 | Screw (Rocker Cover) |
| 654 | 690958 | Nut (Carburetor) | 801 | 691283 | Cap-Drive | 918 | 697091 | Hose-Vacuum (Molded) |
| 676 | 393761 | Deflector-Muffler (Side Out) Used on Type No(s). 0114, 0117, 0119. | 802 | 691286 | Cap-End | 943 | ★690589 | Seal-O Ring (Oil Pump Cover) |
| 676A | 396903 | Deflector-Muffler (Direct Out) Used on Type No(s). 0111. | 803 | 693757 | Housing-Starter | 950 | 691657 | Screw-Float Bowl (Bottom Of Bowl) |
| 677 | 690661 | Screw (Muffler Deflector) | 823 | 698941 | Screw (Muffler Adapter) | 957 | 694261 | Cap-Fuel Tank (Plastic) |
| | | | 830 | 691095 | Stud-Rocker Arm | 958 | 698183 | Valve-Fuel Shut Off (Plastic) Used on Type No(s). 0111, 0138. |
| | | | 832 | 692361 | Guard-Muffler Used on Type No(s). 0114, 0117. | 965 | 499613 | Cover-Oil Pump Used on Type No(s). 0111. |
| | | | 836 | 690367 | Screw (Muffler Guard) | | | |
| | | | 842 | ★691031 | Seal-O Ring (Dipstick Tube) | | | |

★ Included in Engine Gasket Set-Ref. No.358.

● Included in Carburetor Overhaul Kit-Ref. No. 121 or 121A.

◆ Included in Carburetor Gasket Set-Ref. No. 977 or 977A.

△ Included in Valve Gasket Set-Ref. No 1095.

Illustrations cover a range of engines. Parts shown without corresponding text may not be used on your specific engine.

217800

| REF. NO. | PART NO. | DESCRIPTION | REF. NO. | PART NO. | DESCRIPTION | REF. NO. | PART NO. | DESCRIPTION |
|----------|----------|---|----------|----------|---|----------|----------|--|
| 967 | 697292 | Filter-Pre Cleaner | 1024 | 499054 | Pump-Oil | 1044 | 698139 | Screw |
| 968 | 697420 | Cover-Air Cleaner (Black) | | | Used on Type No(s). 0111. | | | (Flywheel) |
| | | ----- Note ----- | 1026 | 697395 | Rod-Push (Exhaust) | 1051 | 691265 | Ring-Retaining |
| | | 697422 Cover-Air Cleaner (Red) | | | ----- Note ----- | 1054 | 280275 | Tie-Cable |
| 972 | 699710 | Tank-Fuel (Plastic) Used on Type No(s). 0114, 0115, 0117, 0118. | | | 697394 Rod-Push (Intake) | 1058 | 275935 | Operator's Manual |
| 975 | 495933 | Bowl-Float | 1027 | 492932 | Filter-Oil Used on Type No(s). 0111. | 1070 | 690372 | Screw (Flywheel Fan) |
| 975A | 698783 | Bowl-Float | 1029 | 691751 | Arm-Rocker | 1090 | 691293 | Retainer-Brush |
| 977 | 690192 | Gasket Set-Carburetor (Walbro) | 1032 | 491710 | Ball-Oil Pump Used on Type No(s). 0111. | 1091 | 691333 | Cap-Limiter |
| 977A | 790032 | Gasket Set-Carburetor (Nikki) | 1034 | 690822 | Guide-Push Rod | 1095 | 691581 | Gasket Set-Valve |
| 987 | ●691326 | Seal-Throttle Shaft | 1036 | 790465 | Label-Emissions (Used After Code Date 04063000) | 1119 | 691183 | Screw (Alternator) |
| 987A | ●698777 | Seal-Throttle Shaft | | | ----- Note ----- | 1127 | 695407 | Screw (Float Bowl)(Nikki) |
| 1005 | 699044 | Fan-Flywheel | | | 790186 | 1136 | 690278 | Screw (Control Bracket)(High Speed Control) |
| 1017 | 690770 | Screen-Oil Pump Used on Type No(s). 0111. | | | Label-Emissions (Used After Code Date 03123100 and Before Code Date 04070100). | 1263 | 697124 | Reed-Breather |
| 1019 | 699196 | Kit-Label | | | 697221 | 1264 | 697104 | Screw (Breather Reed) |
| 1022 | Δ272475 | Gasket-Rocker Cover | | | Label-Emissions (Used Before Code Date 04010100) | 1266 | ★●691917 | Seal-O Ring (Intake Elbow) |
| 1023 | 791079 | Cover-Rocker (Used After Code Date 05013100) ----- Note ----- 692492 Cover-Rocker (Used Before Code Date 05020100) | 1040 | 698368 | Plate-Trim Used on Type No(s). 0111, 0118, 0381. | 1266A | ★●697123 | Seal-O Ring (Intake Elbow) |
| | | | | | | 1267 | 697419 | Latch-Blower Housing (Black) |
| | | | | | | 1270 | 697156 | Plug-AVS Counterweight Used on Type No(s). 0113, 0114, 0115, 0118, 0138, 0393. |
| | | | | | | 1330 | 272147 | Repair Manual |

★ Included in Engine Gasket Set-Ref. No.358.

● Included in Carburetor Overhaul Kit-Ref. No. 121 or 121A.

◆ Included in Carburetor Gasket Set-Ref. No. 977 or 977A.

Δ Included in Valve Gasket Set-Ref. No 1095.

Illustrations cover a range of engines. Parts shown without corresponding text may not be used on your specific engine.