



Illustrated Parts List

Model Series

215800

TYPE NUMBERS
0108 through 0331.

TABLE OF CONTENTS

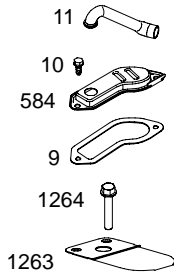
Air Cleaner	6
Blower Housing	6
Alternator	9
Camshaft	3
Carburetor	5
Controls	8
Crankshaft	3
Cylinder	2
Cylinder Head	4
Electric Starter	7
Engine Sump	2
Exhaust System	6
Flywheel	7
Fuel Supply	8
Gasket Set - Engine	4
Gasket Set - Valve	4
Governor Spring	8
Ignition	8
Kit - Carburetor Overhaul	5
Lubrication	3
Piston, Rings, Connecting Rod	3
Rewind Starter	7
Valves	4

PRINTED IN U.S.A.

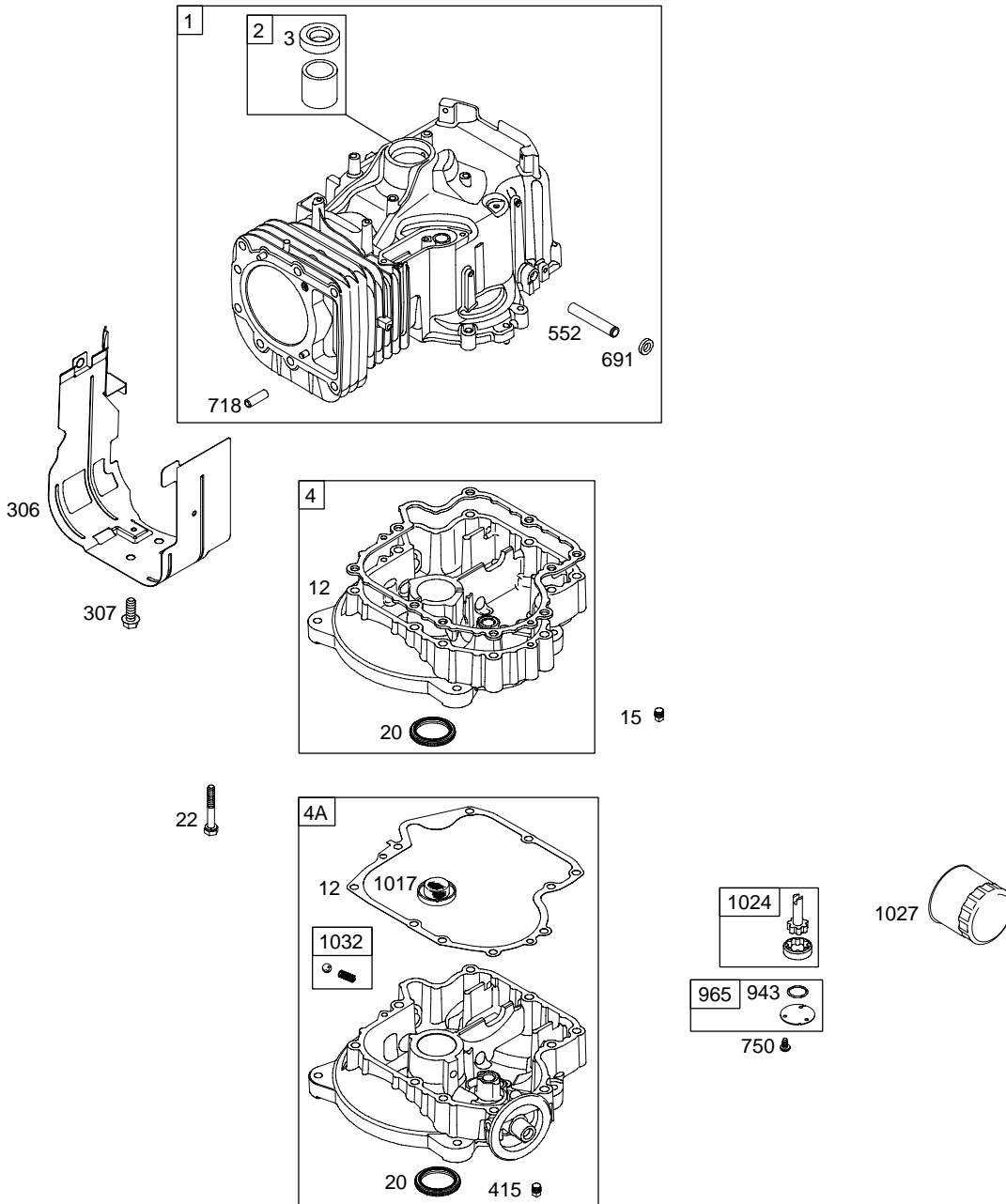


COPYRIGHT by BRIGGS & STRATTON CORPORATION
All rights reserved. No part of this material may be reproduced or transmitted, in any form or by any means, electronic or mechanical, including photocopying, recording or by any information storage and retrieval system, without permission in writing from Briggs & Stratton Corporation.

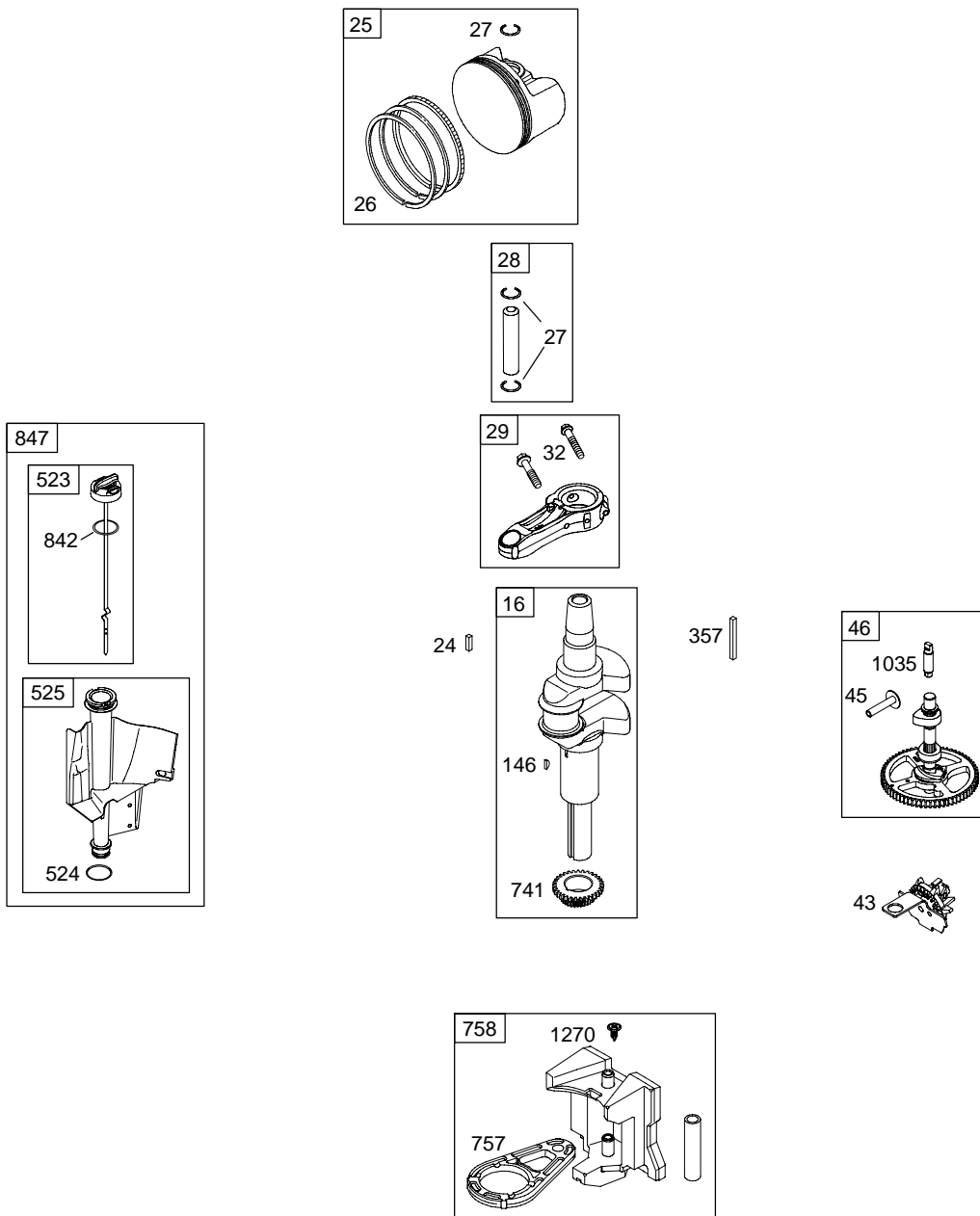
215800



- 1019 LABEL KIT
- 1058 OWNER'S MANUAL
- 1330 REPAIR MANUAL

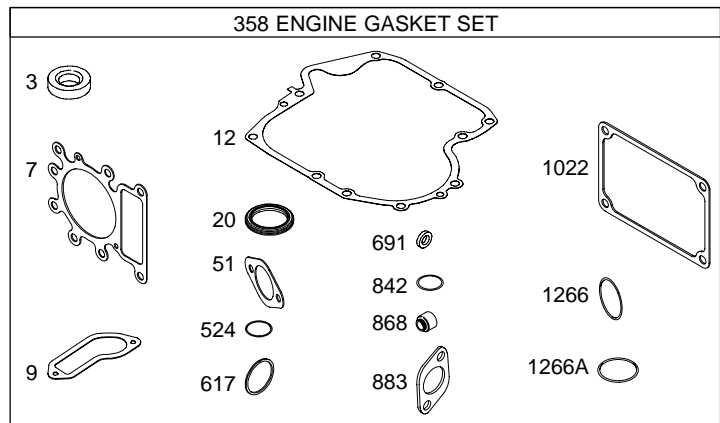
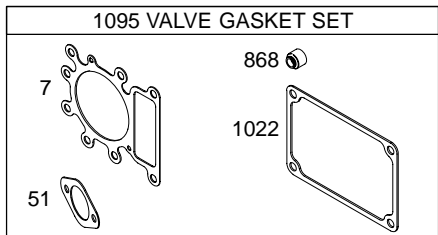
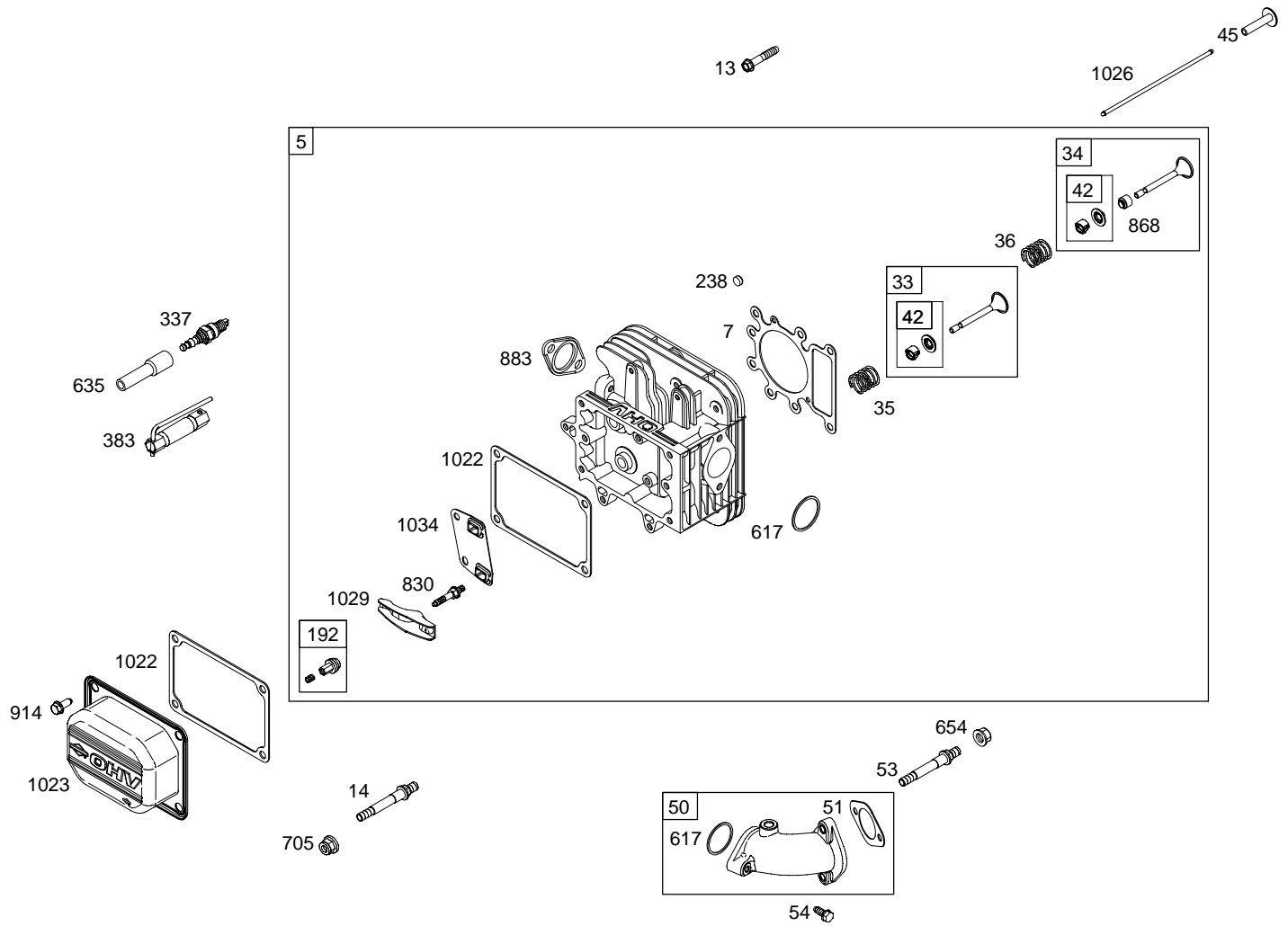


Illustrations cover a range of engines. Parts shown without corresponding text may not be used on your specific engine.
 5497-2 Assemblies include all parts shown in frames. 03/01/2005

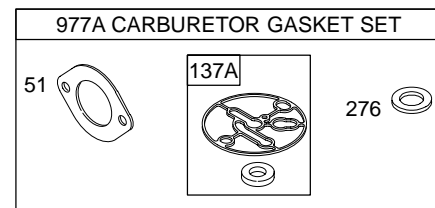
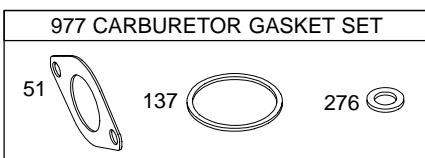
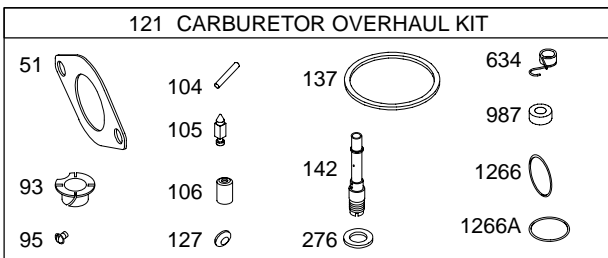
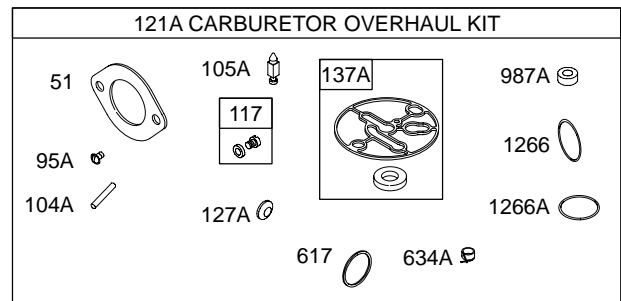
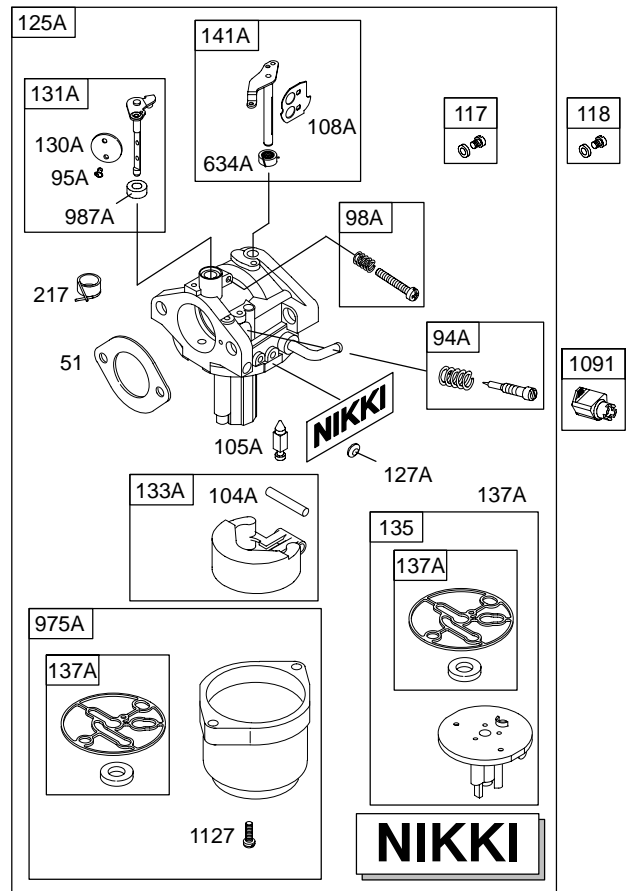
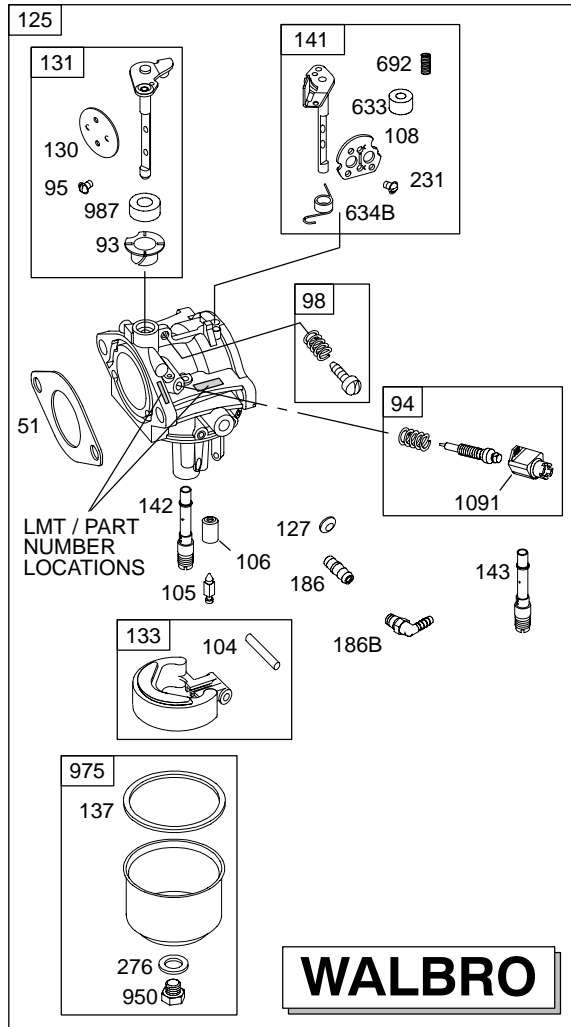


5497-3 *Illustrations cover a range of engines. Parts shown without corresponding text may not be used on your specific engine.* Assemblies include all parts shown in frames. 03/01/2005

215800



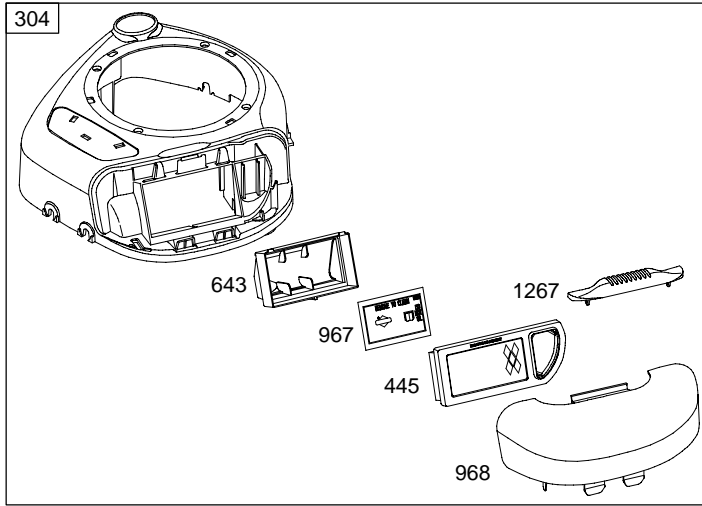
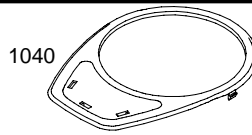
Illustrations cover a range of engines. Parts shown without corresponding text may not be used on your specific engine.
 5497-4 Assemblies include all parts shown in frames. 03/01/2005



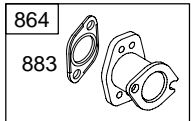
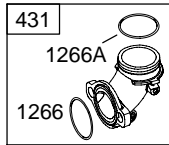
Illustrations cover a range of engines. Parts shown without corresponding text may not be used on your specific engine.
 5497-5 Assemblies include all parts shown in frames. 03/01/2005

215800

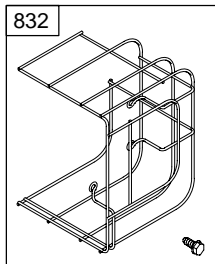
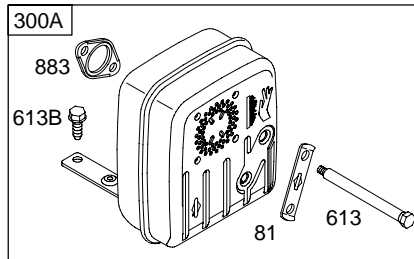
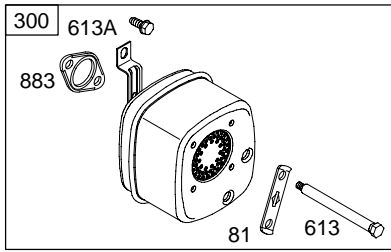
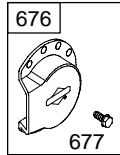
1036 EMISSION LABEL



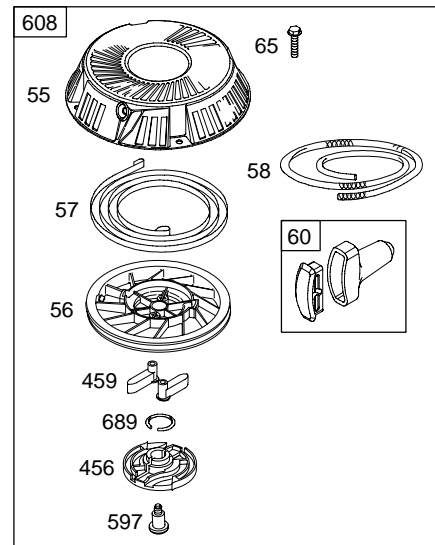
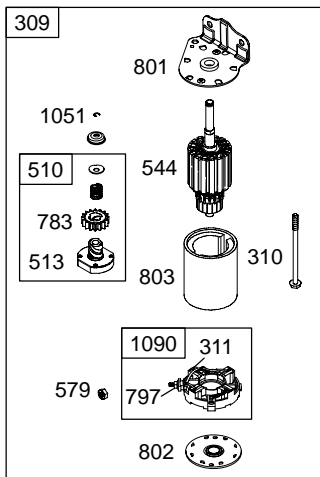
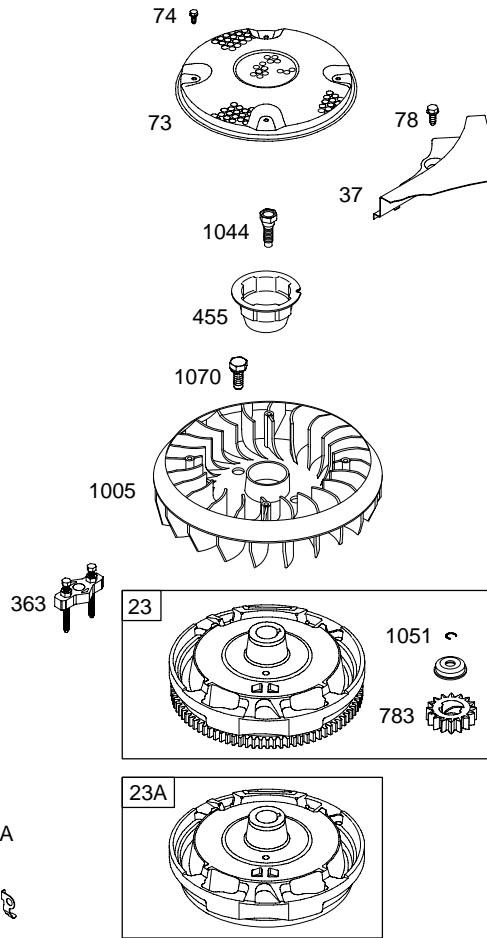
305A
305



823

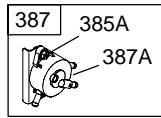
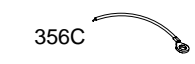
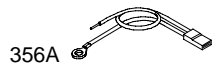
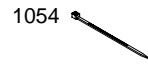
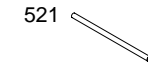
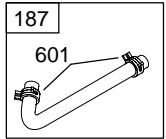


Illustrations cover a range of engines. Parts shown without corresponding text may not be used on your specific engine.
5497-6 Assemblies include all parts shown in frames. 03/01/2005

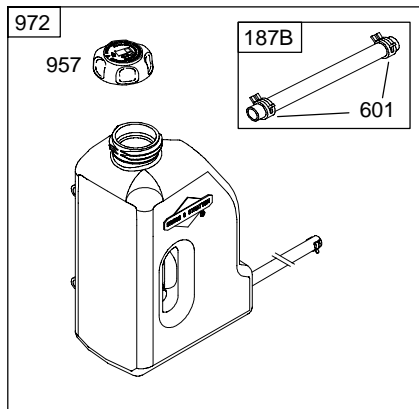
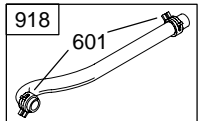


5497-7 *Illustrations cover a range of engines. Parts shown without corresponding text may not be used on your specific engine.* Assemblies include all parts shown in frames. 03/01/2005

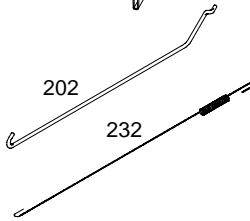
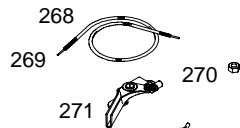
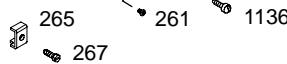
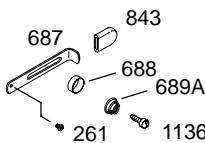
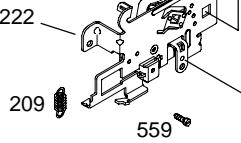
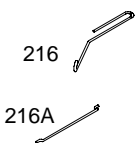
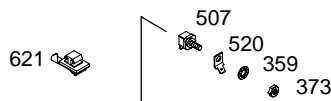
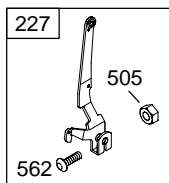
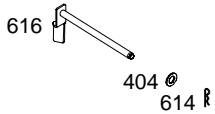
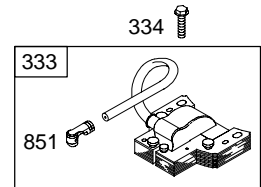
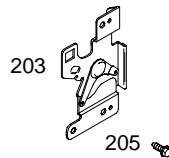
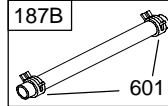
215800



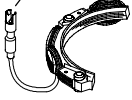



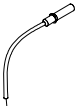

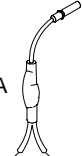

385




957



Illustrations cover a range of engines. Parts shown without corresponding text may not be used on your specific engine.
 5497-8 Assemblies include all parts shown in frames. 03/01/2005

DC ONLY	DUAL CIRCUIT	TRI CIRCUIT	
<div data-bbox="505 279 570 306" style="border: 1px solid black; padding: 2px;">474A</div> <div data-bbox="558 317 613 344" style="margin-left: 20px;">877A</div> 	<div data-bbox="699 279 764 306" style="border: 1px solid black; padding: 2px;">474B</div> <div data-bbox="721 317 760 344" style="margin-left: 20px;">877</div> 	<div data-bbox="888 279 953 306" style="border: 1px solid black; padding: 2px;">474C</div> <div data-bbox="909 317 964 344" style="margin-left: 20px;">877B</div> 	
<div data-bbox="542 541 581 569" style="margin-left: 20px;">578</div> 	<div data-bbox="737 541 776 569" style="margin-left: 20px;">878</div> 	<div data-bbox="932 541 987 569" style="margin-left: 20px;">878A</div> 	<div data-bbox="1133 533 1214 562" style="margin-left: 20px;">729B</div> 

NOTE: All stators use a No. 1119 mounting screw. 

NOTE: The proper flywheel part number and/or the alternator magnet size will determine the alternator type or output. See repair instruction manual for additional information.

215800

REF. NO.	PART NO.	DESCRIPTION	REF. NO.	PART NO.	DESCRIPTION	REF. NO.	PART NO.	DESCRIPTION
1	697377	Cylinder Assembly	24	222698	Key-Flywheel	28	697099	Pin-Piston
2	399265	Kit-Bushing/Seal (Magneto Side)	25	698767	Piston Assembly (Standard)	29	697364	Rod-Connecting (Standard)
3	★391086	Seal-Oil (Magneto Side)			----- Note -----			----- Note -----
4	697106	Sump-Engine			698768 Piston Assembly (.010" Oversize)		697262	Rod-Connecting (.020" Undersize)
4A	697188	Sump-Engine Used on Type No(s). 0121.			698769 Piston Assembly (.020" Oversize)	32	692852	Screw (Connecting Rod)
5	697396	Head-Cylinder			698770 Piston Assembly (.030" Oversize)	33	695760	Valve-Exhaust
7	★Δ273280	Gasket-Cylinder Head			698371 Piston Assembly (Standard)	34	695761	Valve-Intake
9	★697109	Gasket-Breather			Used on Type No(s). 0115, 0117, 0119, 0121, 0324, 0331.	35	691279	Spring-Valve (Intake)
10	697157	Screw (Breather Assembly)			698393 Piston Assembly (.010" Oversize)	36	691279	Spring-Valve (Exhaust)
11	697113	Tube-Breather			698394 Piston Assembly (.020" Oversize)	37	697352	Guard-Flywheel
12	★697110	Gasket-Crankcase (.015" Thick)(Standard)			698395 Piston Assembly (.030" Oversize)	37A	697626	Guard-Flywheel Used on Type No(s). 0113, 0114, 0115, 0119, 0121, 0223, 0313.
13	690360	Screw (Cylinder Head)				42	499586	Keeper-Valve
14	790560	Stud (Cylinder Head)				43	691968	Slinger-Governor/Oil
15	690946	Plug-Oil Drain (3/8" Standard)				45	690564	Tappet-Valve
16	698382	Crankshaft ----- Note ----- 697390 Crankshaft Used on Type No(s). 0117, 0119, 0121.				46	790400	Camshaft
20	★690947	Seal-Oil (PTO Side)	26	698375	Ring Set (Standard) ----- Note ----- 698376 Ring Set (.010" Oversize)	50	697361	Manifold-Intake
22	692125	Screw (Crankcase Cover/Sump)			698377 Ring Set (.020" Oversize)	51★Δ●	692137	Gasket-Intake
23	698281	Flywheel Used on Type No(s). 0108, 0274, 0314, 0324, 0331. ----- Note ----- 698282 Flywheel Used on Type No(s). 0117. 790920 Flywheel (Painted Flywheel) Used on Type No(s). 0113, 0119, 0121.			698378 Ring Set (.030" Oversize)	53	690227	Stud (Carburetor)
23A	698283	Flywheel Used on Type No(s). 0114, 0115, 0223, 0313.	27	698469	Lock-Piston Pin (Used After Code Date 02100300) ----- Note ----- 698138 Lock-Piston Pin (Used Before Code Date 02100400)	54	691148	Screw (Intake Manifold)
						55	695130	Housing-Rewind Starter
						56	695129	Pulley-Starter
						57	695131	Spring-Rewind Starter
						58	695132	Rope-Starter
						60	494212	Grip-Starter Rope
						65	697725	Screw (Rewind Starter)
						73	697133	Screen-Rotating
						74	697897	Screw (Rotating Screen)
						78	691003	Screw (Flywheel Guard)

★ Included in Engine Gasket Set-Ref. No.358.

● Included in Carburetor Overhaul Kit-Ref. No. 121 or 121A.

◆ Included in Carburetor Gasket Set-Ref. No. 977 or 977A.

Δ Included in Valve Gasket Set-Ref. No 1095.

Illustrations cover a range of engines. Parts shown without corresponding text may not be used on your specific engine.

215800

REF. NO.	PART NO.	DESCRIPTION	REF. NO.	PART NO.	DESCRIPTION	REF. NO.	PART NO.	DESCRIPTION
78A	690364	Screw (Flywheel Guard)(Electric Start)	125A	791178	Carburetor (Nikki)(Gravity Feed) Used on Type No(s). 0113, 0223, 0274, 0313, 0314, 0324, 0331.	187B	691050	Line-Fuel (Cut To Required Length)
81	691178	Lock-Muffler Screw				188	691693	Screw (Control Bracket)
93	690602	Bushing-Throttle Shaft				192	691986	Adjuster-Rocker Arm
94	498030	Kit-Idle Mixture (Walbro)				202	691841	Link-Mechanical Governor
94A	695425	Kit-Idle Mixture (Nikki)				203	691381	Crank-Bell Used on Type No(s). 0119, 0121.
95	691636	Screw (Throttle Valve)(Walbro)				205	691693	Screw (Bell Crank)
95A	690718	Screw (Throttle Valve)(Nikki)	127	694524	Plug-Welch	209	690480	Spring-Governor (Red) Used on Type No(s). 0113, 0121, 0324.
98	495800	Kit-Idle Speed (Walbro)	127A	690727	Plug-Welch			
98A	695408	Kit-Idle Speed (Nikki)	130	790024	Valve-Throttle			
104	690525	Pin-Float Hinge (Walbro)	130A	698774	Valve-Throttle			
104A	694918	Pin-Float Hinge (Nikki)	131	790901	Kit-Throttle Shaft			
105	231855	Valve-Float Needle (Walbro)	131A	698776	Kit-Throttle Shaft			
105A	696136	Valve-Float Needle (Nikki)	133	494381	Float-Carburetor			
106	690577	Seat-Inlet (Gravity Feed) ----- Note ----- 691780 Seat-Inlet (Pump Feed)	133A	694914	Float-Carburetor			
108	691227	Valve-Choke (Walbro)	135	698780	Tube-Fuel Transfer ----- Note ----- 790030 Tube-Fuel Transfer Used on Type No(s). 0108, 0117, 0119.			
108A	698773	Valve-Choke	137	281165	Gasket-Float Bowl			
117	699897	Jet-Main (Standard)	137A	698781	Gasket-Float Bowl			
118	699898	Jet-Main (High Altitude)	141	790902	Kit-Choke Shaft ----- Note ----- 699316 Kit-Choke Shaft Used on Type No(s). 0114, 0115.			
121	790031	Kit-Carburetor Overhaul (Walbro)	141A	698778	Kit-Choke Shaft			
121A	698787	Kit-Carburetor Overhaul (Nikki)	142	790025	Nozzle-Carburetor (Standard)	216	691840	Link-Choke
125	790021	Carburetor (Walbro)(Pump Feed) Used on Type No(s). 0114, 0115.	143	790028	Nozzle-Carburetor (High Altitude)	216A	691281	Link-Choke (Bell Crank) Used on Type No(s). 0119, 0121.
			146	691639	Key-Timing	217	695409	Spring-Choke Return
			186	698174	Connector-Hose (Straight)	222	694042	Bracket-Control
			186B	692317	Connector-Hose (90 Degree)	227	691374	Lever-Governor Control
			187	699331	Line-Fuel (Formed)(10-1/4 Inches Long)(Cut to Required Length)	231	691636	Screw (Choke Valve)

★ Included in Engine Gasket Set-Ref. No.358.

● Included in Carburetor Overhaul Kit-Ref. No. 121 or 121A.

◆ Included in Carburetor Gasket Set-Ref. No. 977 or 977A.

△ Included in Valve Gasket Set-Ref. No 1095.

Illustrations cover a range of engines. Parts shown without corresponding text may not be used on your specific engine.

215800

REF. NO.	PART NO.	DESCRIPTION	REF. NO.	PART NO.	DESCRIPTION	REF. NO.	PART NO.	DESCRIPTION
232	691842	Spring-Governor Link	304	699085	Housing-Blower (Red)	356C	399222	Wire-Stop Used on Type No(s). 0114, 0115.
238	691843	Cap-Valve						
240	298090	Filter-Fuel (Red, 150 Microns) Used on Type No(s). 0223, 0274.				357	691483	Key-Drive Pulley Used on Type No(s). 0119.
		----- Note -----						
	394358	Filter-Fuel (White, 75 Microns) Used on Type No(s). 0108, 0113, 0313, 0314, 0324, 0331.				358	697151	Gasket Set-Engine
240B	691035	Filter-Fuel (Includes Paper Element With A 40 Micron Rating) Used on Type No(s). 0114, 0115, 0117, 0119, 0121.				359	691077	Washer (Ground Terminal)
			305	697102	Screw (Blower Housing)	363	19203	Puller-Flywheel
			305A	697103	Screw (Blower Housing)	373	691612	Nut (Ground Terminal)
			306	697359	Shield-Cylinder	383	89838	Wrench-Spark Plug
261	697176	Screw (Control Slide)	307	691003	Screw (Cylinder Shield)	385	694476	Screw (Fuel Pump)
265	691024	Clamp-Casing	309	693551	Motor-Starter Used on Type No(s). 0108, 0274, 0314.	385A	690297	Screw (Fuel Pump)
267	690804	Screw (Casing Clamp)				387	697090	Pump-Fuel (Includes Mounting Bracket) Used on Type No(s). 0108, 0114, 0115, 0117.
267A	695134	Screw (Casing Clamp) Used on Type No(s). 0324, 0331.	310	690323	Screw (Starter Motor)	387A	808656	Pump-Fuel
268	691025	Casing-Control Wire (Cut To Required Length)	311	497608	Brush Set	404	691691	Washer (Governor Crank)
269	691026	Wire-Control (Cut To Required Length)	333	492341	Armature-Magneto	415	690283	Plug (Square Head)
270	691027	Nut (Control Wire Casing)	334	691061	Screw (Magneto Armature)	431	697122	Elbow-Intake
271	691028	Lever-Control	337	491055	Plug-Spark	445	698413	Filter-Air Cleaner Cartridge (Non Washable)
276	◆692255	Washer-Sealing				455	695113	Cup-Flywheel Used on Type No(s). 0108, 0113, 0114, 0115, 0119, 0223, 0274, 0313, 0314.
300	697048	Muffler (Lo Tone) Used on Type No(s). 0108, 0115, 0117, 0119, 0121, 0313, 0314.	356	697397	Wire-Stop Used on Type No(s). 0113.	456	695128	Plate-Pawl Friction
			356A	398808	Wire-Stop Used on Type No(s). 0108, 0114, 0115, 0119, 0121, 0223, 0274, 0313, 0314.	459	281505	Pawl-Ratchet
300A	697349	Muffler (Lo Tone) Used on Type No(s). 0113, 0223, 0274.	356B	697089	Wire-Stop Used on Type No(s). 0117.	474A	696578	Alternator (DC Only) Used on Type No(s). 0274, 0314.

★ Included in Engine Gasket Set-Ref. No.358.

● Included in Carburetor Overhaul Kit-Ref. No. 121 or 121A.

◆ Included in Carburetor Gasket Set-Ref. No. 977 or 977A.

△ Included in Valve Gasket Set-Ref. No 1095.

Illustrations cover a range of engines. Parts shown without corresponding text may not be used on your specific engine.

215800

REF. NO.	PART NO.	DESCRIPTION	REF. NO.	PART NO.	DESCRIPTION	REF. NO.	PART NO.	DESCRIPTION
474B	696459	Alternator (Dual Circuit) Used on Type No(s). 0108, 0324, 0331.	608	695058	Starter-Rewind Used on Type No(s). 0108, 0113, 0114, 0115, 0119, 0223, 0274, 0313, 0314.	689	691855	Spring-Friction
474C	696457	Alternator (Tri Circuit) Used on Type No(s). 0117.	613	691416	Screw (Muffler)	689A	690529	Spring-Friction Used on Type No(s). 0114, 0115.
501	691188	Regulator Used on Type No(s). 0117.	613A	691678	Screw (Muffler)	691	★692407	Seal-Governor Shaft
505	691251	Nut (Governor Control Lever)	613B	690297	Screw (Muffler) Used on Type No(s). 0113, 0223, 0274.	692	691301	Spring-Detent Used on Type No(s). 0114, 0115.
507	691972	Insulator	614	691620	Pin-Cotter	697	690372	Screw (Drive Cap)
510	693699	Drive-Starter	616	692012	Crank-Governor	705	790561	Nut (Fuel Tank)
513	692024	Clutch-Drive	617	★692138	Seal-O Ring (Intake Manifold)	718	690959	Pin-Locating
520	691084	Terminal-Ground	621	692310	Switch-Stop Used on Type No(s). 0108, 0114, 0115, 0119, 0121, 0223, 0274, 0313, 0314.	729	691335	Clip-Wire (Wire Retainer)
521	690581	Shield-Cable Used on Type No(s). 0223, 0274, 0313, 0314.	633	699813	Seal-Choke/Throttle Shaft ----- Note ----- 690597 Seal-Choke/Throttle Shaft Used on Type No(s). 0114, 0115.	729A	691224	Clip-Wire (Starter Motor)
523	699908	Dipstick	634	●690802	Spring/Seal Assembly	729B	694123	Clip-Wire (Nylon)
524	★691032	Seal-Dipstick Tube	634A	●698779	Spring/Seal Assembly	741	697128	Gear-Timing
525	697184	Tube-Dipstick Used on Type No(s). 0113, 0223, 0274, 0313, 0314, 0324, 0331. ----- Note ----- 697085 Tube-Dipstick Used on Type No(s). 0108, 0114, 0115, 0117, 0119, 0121.	634B	690801	Spring/Seal Assembly Used on Type No(s). 0108.	750	790832	Screw (Oil Pump Cover) Used on Type No(s). 0121.
526A	697088	Screw (Regulator)	635	691909	Boot-Spark Plug	757	697607	Link-Counterweight
544	692034	Armature-Starter	643	697155	Retainer-Air Filter	758	697391	Counterweight Used on Type No(s). 0117, 0119, 0121.
552	697144	Bushing-Governor Crank	654	690958	Nut (Carburetor)	783	693713	Gear-Pinion
559	697561	Screw (Remote Choke Stop)	676	393761	Deflector-Muffler (Side Out) Used on Type No(s). 0108, 0114, 0115, 0117.	797	693167	Nut (Brush Retainer)
562	691119	Bolt (Governor Control Lever)	677	690661	Screw (Muffler Deflector)	801	691283	Cap-Drive
578	692306	Wire Assembly	687	697175	Slide-Control Used on Type No(s). 0114, 0115.	802	691286	Cap-End
579	691029	Nut (Starter Cable)	688	690395	Cap-Friction Used on Type No(s). 0114, 0115.	803	693757	Housing-Starter
584	697112	Cover-Breather Passage				823	698941	Screw (Muffler Adapter)
597	691696	Screw (Pawl Friction Plate)				830	691095	Stud-Rocker Arm
601	95162	Clamp-Hose (Zinc Plate)(Spring Wire)				832	790293	Guard-Muffler Used on Type No(s). 0119, 0121, 0313, 0314.
						842	★691031	Seal-O Ring (Dipstick Tube)

★ Included in Engine Gasket Set-Ref. No.358.

● Included in Carburetor Overhaul Kit-Ref. No. 121 or 121A.

◆ Included in Carburetor Gasket Set-Ref. No. 977 or 977A.

△ Included in Valve Gasket Set-Ref. No 1095.

Illustrations cover a range of engines. Parts shown without corresponding text may not be used on your specific engine.

5497-13

Assemblies include all parts shown in frames.

3/1/2005

215800

REF. NO.	PART NO.	DESCRIPTION	REF. NO.	PART NO.	DESCRIPTION	REF. NO.	PART NO.	DESCRIPTION
843	697158	Sleeve-Lever	950	691657	Screw-Float Bowl	1036	790465	Label-Emissions (Used After Code Date 04063000)
847	790442	Dipstick/Tube Assembly Used on Type No(s). 0113, 0223, 0274, 0313, 0314, 0324, 0331.	957	694261	Cap-Fuel Tank (Plastic)			----- Note ----- 790186 Label-Emissions (Used After Code Date 03123100 and Before Code Date 04070100).
		----- Note ----- 790443 Dipstick/Tube Assembly Used on Type No(s). 0108, 0114, 0115, 0117, 0119, 0121.	965	499613	Cover-Oil Pump			697221 Label-Emissions (Used Before Code Date 04010100)
851	692424	Terminal-Spark Plug	967	697292	Filter-Pre Cleaner	1040	698368	Plate-Trim Used on Type No(s). 0117, 0324, 0331.
864	697346	Adapter-Muffler	968	697420	Cover-Air Cleaner (Black)			
868	★△690968	Seal-Valve	972	699710	Tank-Fuel (Plastic) Used on Type No(s). 0114, 0115, 0119, 0121.	1044	698139	Screw (Flywheel)
877	393456	Wire/Connector- Alternator (Dual Circuit)	975	495933	Bowl-Float	1051	691265	Ring-Retaining
877A	393814	Wire/Connector- Alternator (DC Only)	975A	698783	Bowl-Float	1054	280275	Tie-Cable
877B	393537	Wire/Connector- Alternator (Tri Circuit)	977	690192	Gasket Set-Carburetor (Walbro)	1058	275935	Operator's Manual
878	691237	Harness-Alternator (Dual Circuit)	977A	790032	Gasket Set-Carburetor (Nikki)	1070	690372	Screw (Flywheel Fan)
878A	691955	Harness-Alternator (Tri Circuit)	987	●691326	Seal-Throttle Shaft	1090	691293	Retainer-Brush
883	★692236	Gasket-Exhaust	987A	●698777	Seal-Throttle Shaft	1091	691333	Cap-Limiter
914	691108	Screw (Rocker Cover)	1005	699044	Fan-Flywheel	1095	691581	Gasket Set-Valve
918	697091	Hose-Vacuum (Molded) Used on Type No(s). 0108, 0117.	1017	690770	Screen-Oil Pump Used on Type No(s). 0121.	1119	691183	Screw (Alternator)
943	690589	Seal-O Ring (Oil Pump Cover) Used on Type No(s). 0121.	1019	699196	Kit-Label	1127	695407	Screw (Float Bowl)
			1022	★△272475	Gasket-Rocker Cover	1136	690278	Screw (Control Bracket)
			1023	692492	Cover-Rocker	1263	697124	Reed-Breather
			1024	499054	Pump-Oil	1264	697104	Screw (Breather Reed)
			1026	697395	Rod-Push (Exhaust) ----- Note ----- 697394 Rod-Push (Intake)	1266	★●691917	Seal-O Ring (Intake Elbow)
			1027	492932	Filter-Oil	1266A	★●697123	Seal-O Ring (Intake Elbow)
			1029	691751	Arm-Rocker	1267	697419	Latch-Blower Housing (Black)
			1032	491710	Ball-Oil Pump	1270	697156	Plug-AVS Counterweight Used on Type No(s). 0117, 0119.
			1034	690822	Guide-Push Rod	1330	272147	Repair Manual
			1035	693784	Shaft-Pump Used on Type No(s). 0121.			

★ Included in Engine Gasket Set-Ref. No.358.

● Included in Carburetor Overhaul Kit-Ref. No. 121 or 121A.

◆ Included in Carburetor Gasket Set-Ref. No. 977 or 977A.

△ Included in Valve Gasket Set-Ref. No 1095.

Illustrations cover a range of engines. Parts shown without corresponding text may not be used on your specific engine.