



# Illustrated Parts List

## Model Series

# 210400

TYPE NUMBERS  
0035 through 0186.

### TABLE OF CONTENTS

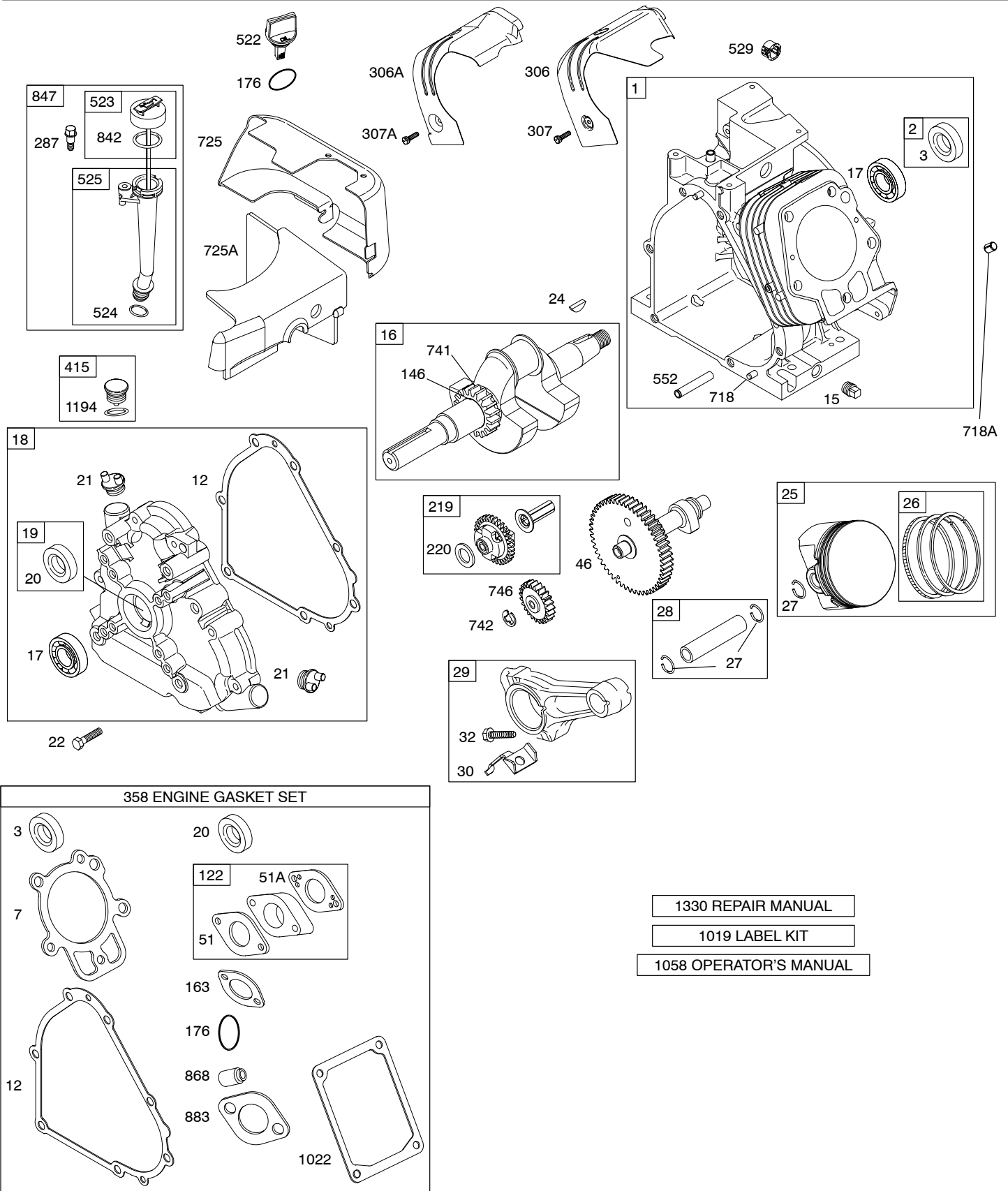
<b>Air Cleaner</b> .....	5
<b>Alternator</b> .....	9
<b>Blower Housing/Shrouds</b> .....	6
<b>Camshaft</b> .....	2
<b>Carburetor</b> .....	4
<b>Controls</b> .....	7
<b>Crankcase Cover</b> .....	2
<b>Crankshaft</b> .....	2
<b>Cylinder</b> .....	2
<b>Cylinder Head</b> .....	3
<b>Electric Starter</b> .....	8
<b>Exhaust System</b> .....	5
<b>Flywheel</b> .....	6
<b>Fuel Supply</b> .....	8
<b>Governor Spring</b> .....	7
<b>Kit/Gasket Sets-Carburetor</b> .....	4
<b>Kit/Gasket Sets-Engine</b> .....	2
<b>Kit/Gasket Sets-Valve</b> .....	3
<b>Lubrication</b> .....	2
<b>Piston Group</b> .....	2
<b>Rewind Starter</b> .....	6
<b>Valves</b> .....	3



PRINTED IN U.S.A.

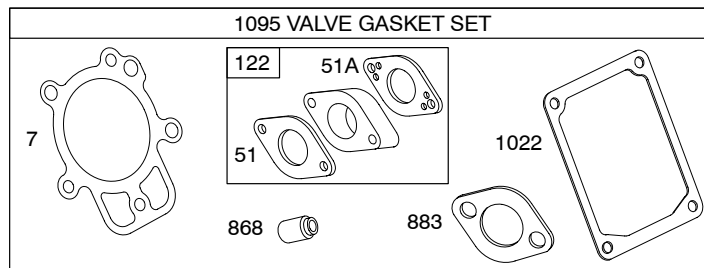
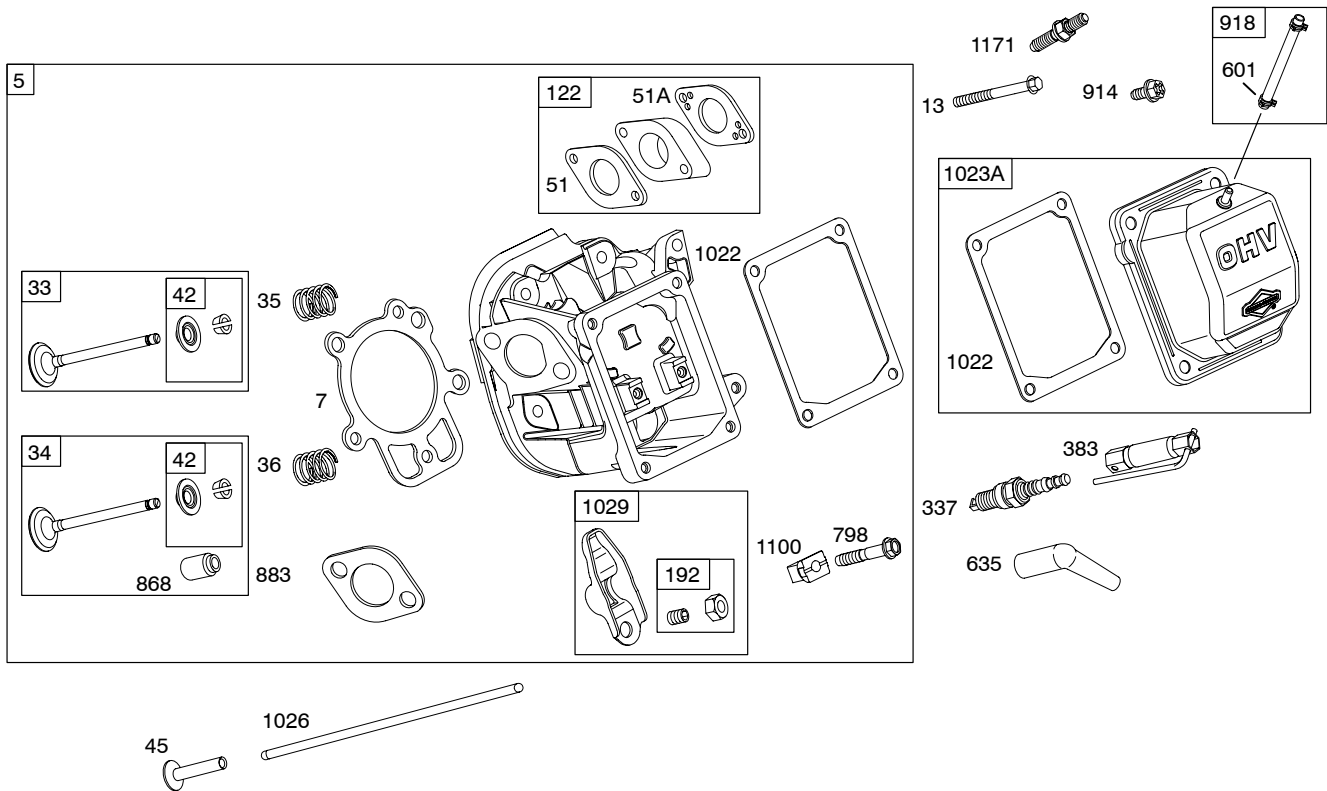
COPYRIGHT by BRIGGS & STRATTON CORPORATION  
All rights reserved. No part of this material may be reproduced or transmitted, in any form or by any means, electronic or mechanical, including photocopying, recording or by any information storage and retrieval system, without permission in writing from Briggs & Stratton Corporation.

# 210400



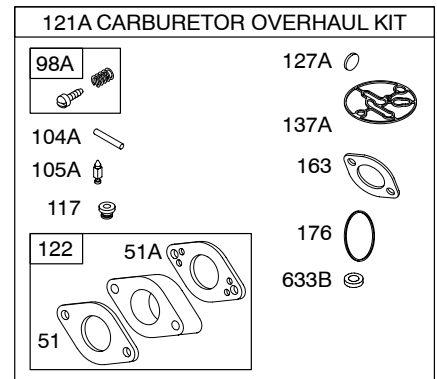
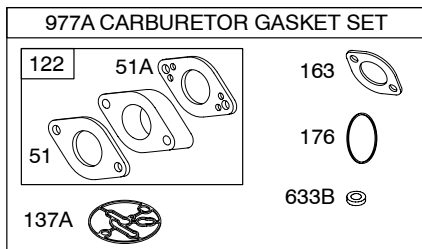
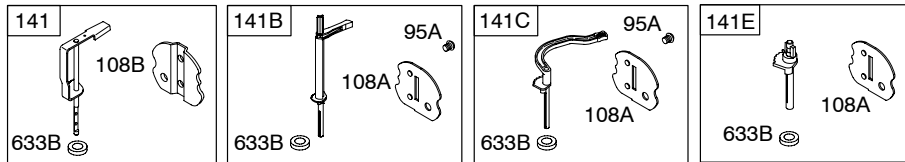
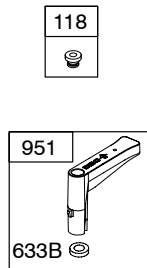
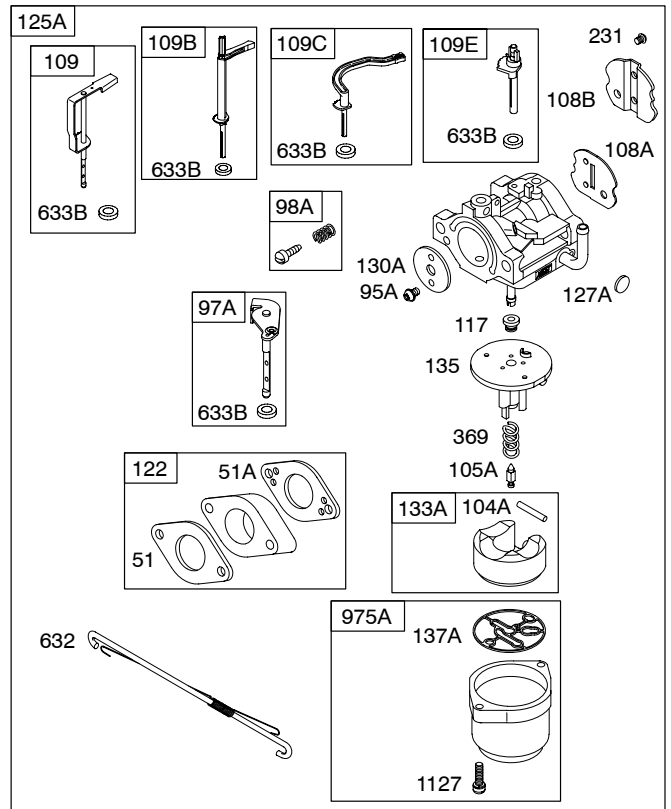
- 1330 REPAIR MANUAL
- 1019 LABEL KIT
- 1058 OPERATOR'S MANUAL

**Illustrations cover a range of engines. Parts shown without corresponding text are not used on this engine.**  
 5121-2 Assemblies include all parts shown in frames. 10/19/2005

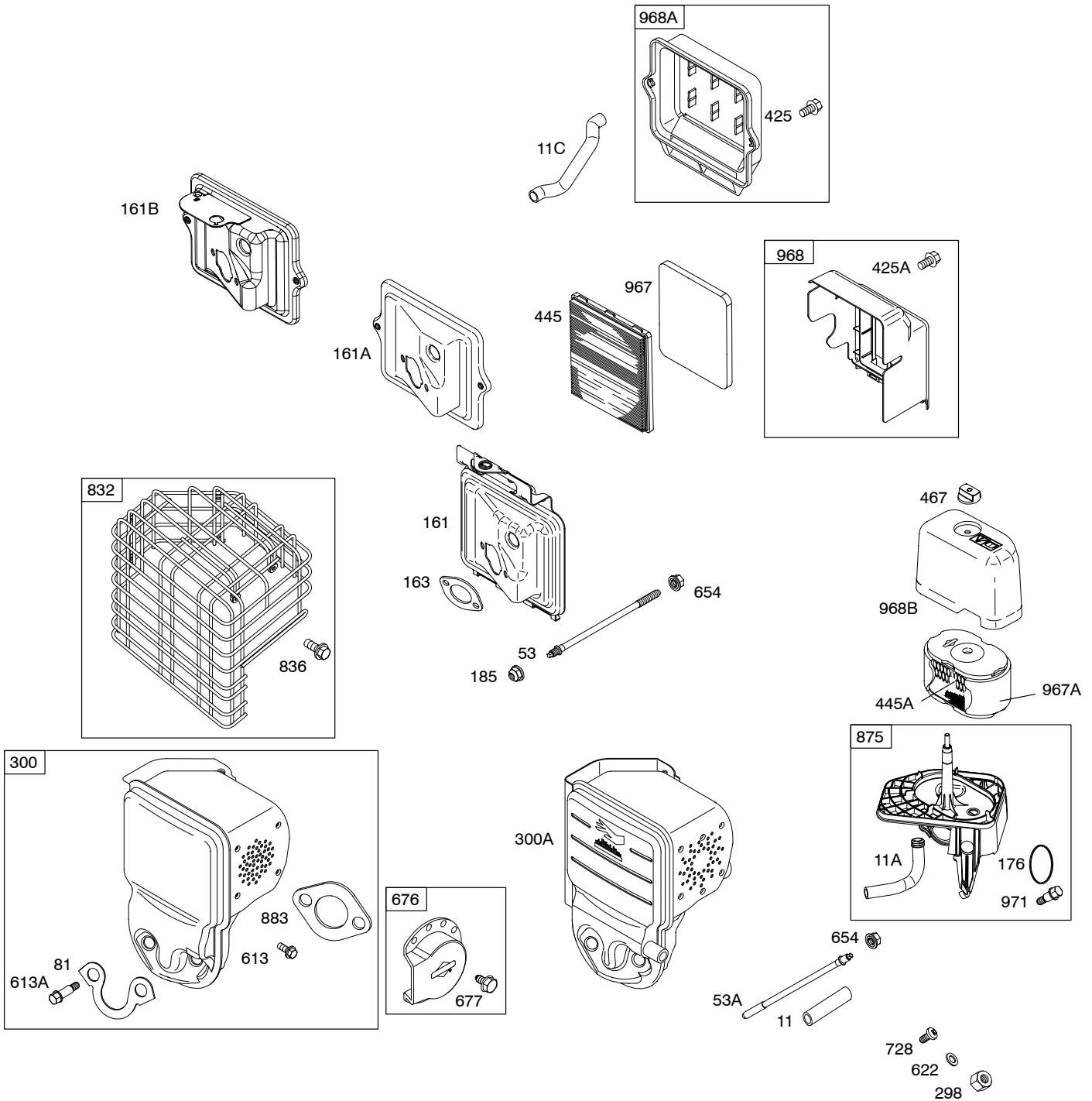


*Illustrations cover a range of engines. Parts shown without corresponding text are not used on this engine.*

**210400**



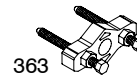
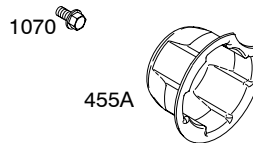
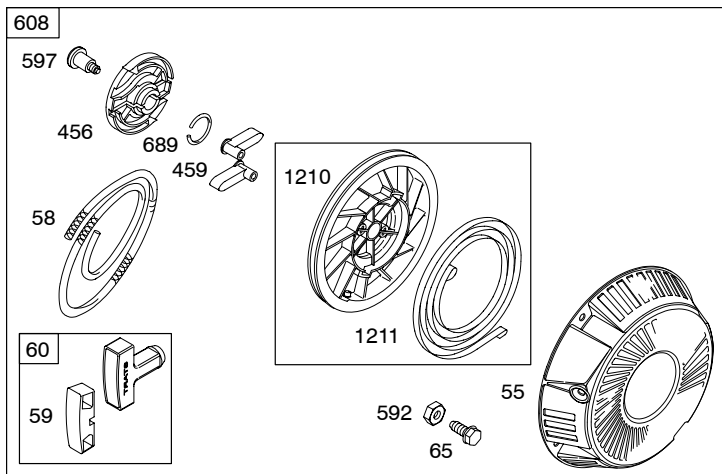
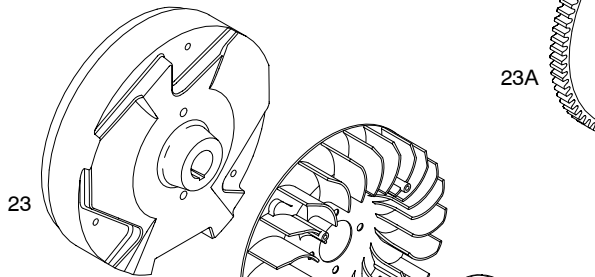
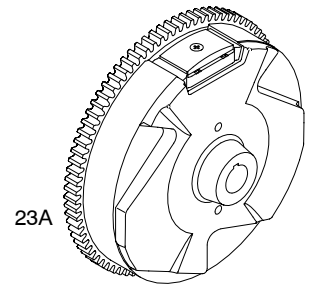
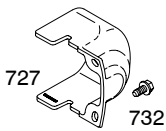
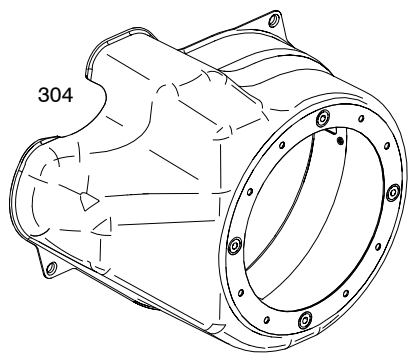
*Illustrations cover a range of engines. Parts shown without corresponding text are not used on this engine.*



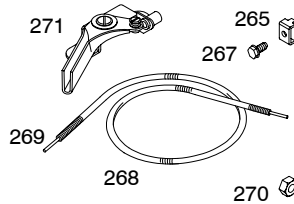
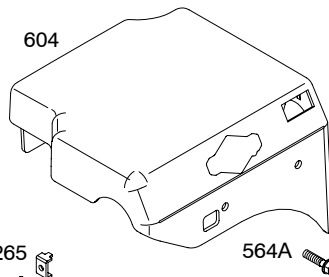
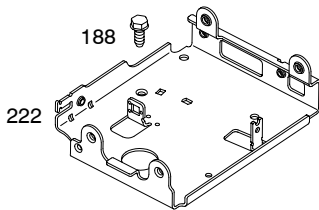
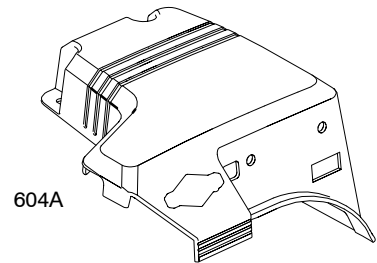
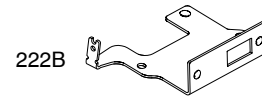
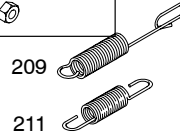
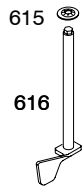
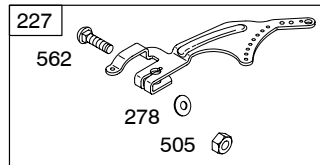
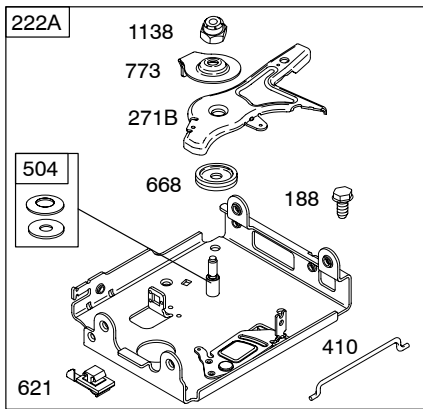
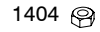
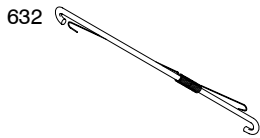
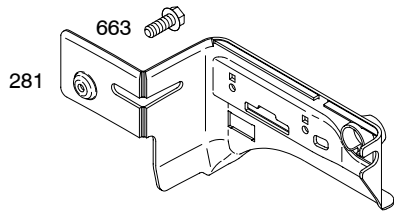
Illustrations cover a range of engines. Parts shown without corresponding text are not used on this engine.  
5121-5 Assemblies include all parts shown in frames. 10/19/2005

# 210400

1036 EMISSION LABEL

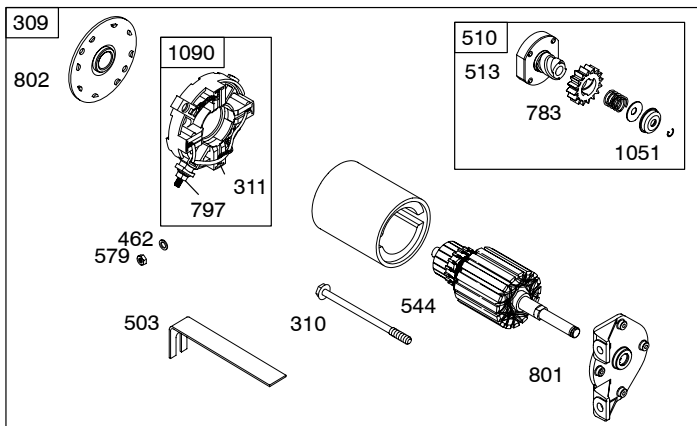
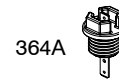
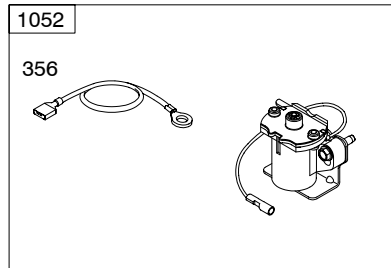
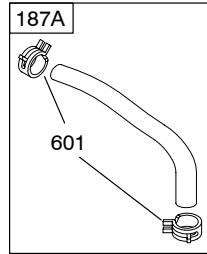
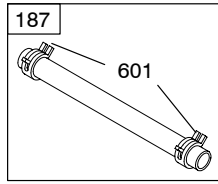
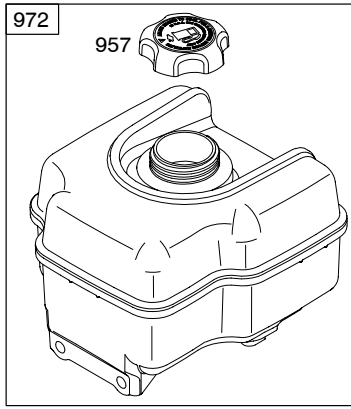


Illustrations cover a range of engines. Parts shown without corresponding text are not used on this engine.



5121-7 *Illustrations cover a range of engines. Parts shown without corresponding text are not used on this engine.* Assemblies include all parts shown in frames. 10/19/2005

# 210400



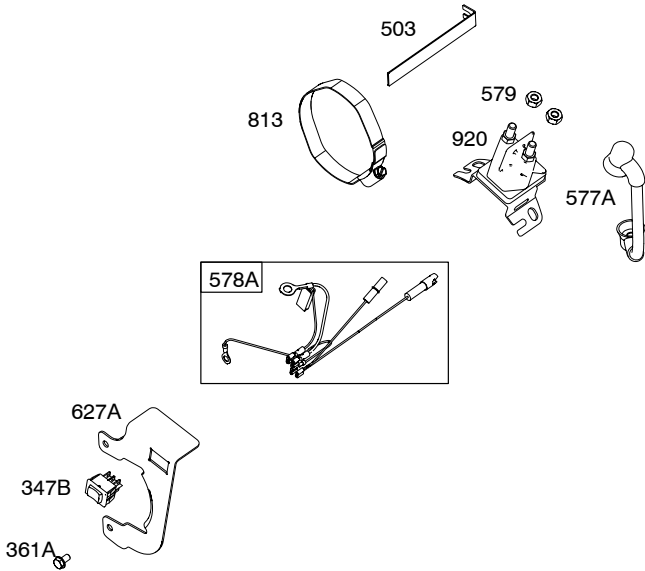
**Illustrations cover a range of engines. Parts shown without corresponding text are not used on this engine.**

5121-8

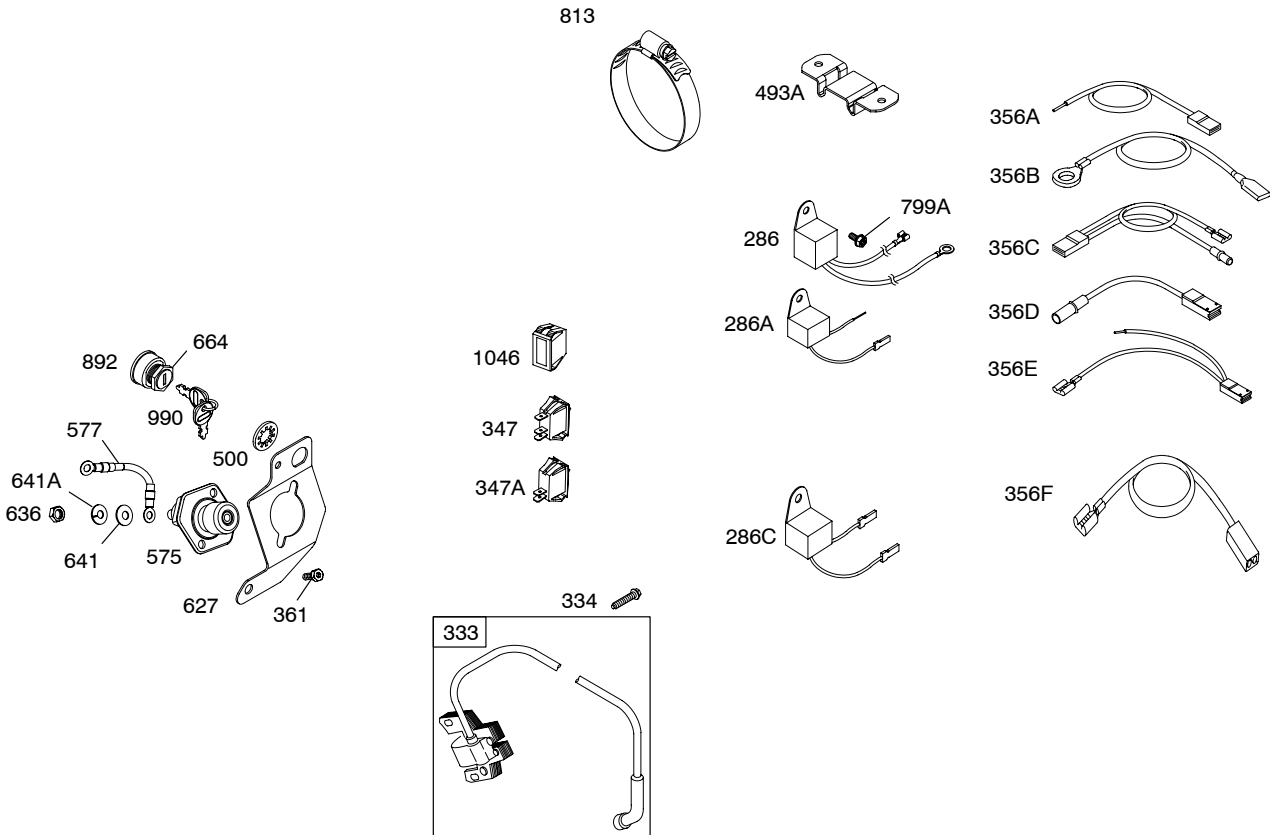
Assemblies include all parts shown in frames.

10/19/2005





DC ONLY	10 - 16 AMP
<p>474A</p>	<p>474D</p>
<p>578</p>	<p>578</p>
<p><b>NOTE:</b> All stators use a No. 1119 mounting screw. </p> <p><b>NOTE:</b> The proper flywheel part number and/or the alternator magnet size will determine the alternator type or output. See repair instruction manual for additional information.</p>	
	<p>526 </p> <p>501 </p>



Illustrations cover a range of engines. Parts shown without corresponding text are not used on this engine. 5121-9 Assemblies include all parts shown in frames. 10/19/2005

# 210400

REF. NO.	PART NO.	DESCRIPTION	REF. NO.	PART NO.	DESCRIPTION	REF. NO.	PART NO.	DESCRIPTION
1	697702	Cylinder Assembly	17	695434	Bearing-Ball Used on Type No(s). 0035, 0036, 0125, 0141.	26	697692	Ring Set (Standard) ----- <b>Note</b> -----
2	698340	Kit-Bushing/Seal (Magneto Side)						<b>697698</b> Ring Set (.020" Oversize)
3	★391086	Seal-Oil (Magneto Side)	18	695372	Cover-Crankcase Used on Type No(s). 0035, 0036, 0125. ----- <b>Note</b> -----	27	690975	Lock-Piston Pin
5	697233	Head-Cylinder (Used After Code Date 01102800). ----- <b>Note</b> -----				28	696581	Pin-Piston
		<b>698040</b> Head-Cylinder (Used Before Code Date 01102900).				29	694691	Rod-Connecting
7	★Δ697690	Gasket-Cylinder Head				30	694692	Dipper-Connecting Rod
11	696796	Tube-Breather				32	690976	Screw (Connecting Rod)
11A	695305	Tube-Breather Used on Type No(s). 0186.	19	698340	Kit-Bushing/Seal (PTO Side)	33	499596	Valve-Exhaust
11C	696796	Tube-Breather Used on Type No(s). 0035, 0036, 0046, 0100, 0105, 0110, 0124, 0125, 0131, 0132, 0141, 0152.	20	★391086	Seal-Oil (PTO Side)	34	697464	Valve-Intake
			21	281658	Cap-Oil Fill	35	694865	Spring-Valve (Intake)
12	★694953	Gasket-Crankcase	22	695174	Screw (Crankcase Cover/Sump)	36	694865	Spring-Valve (Exhaust)
13	690360	Screw	23	694954	Flywheel	42	499586	Keeper-Valve
15	691686	Plug-Oil Drain	23A	695485	Flywheel Used on Type No(s). 0132, 0134, 0142, 0152. ----- <b>Note</b> -----	45	690977	Tappet-Valve
16	695462	Crankshaft Used on Type No(s). 0036, 0100, 0105, 0110, 0125, 0141. ----- <b>Note</b> -----				46	790496	Camshaft
		<b>694678</b> Crankshaft Used on Type No(s). 0070, 0111, 0114, 0127, 0134, 0135, 0136, 0137, 0138, 0140, 0142, 0145, 0150.				51★Δ◆694874	Gasket-Intake	
		<b>695818</b> Crankshaft Used on Type No(s). 0035.	24	222698	Key-Flywheel	51A★Δ◆694875	Gasket-Intake	
		<b>695369</b> -Crankshaft Used on Type No(s). 0046, 0131, 0132, 0152, 0186.	25	697693	Piston Assembly (Standard) ----- <b>Note</b> -----	53	694869	Stud (Carburetor)
						53A	695433	Stud (Carburetor) Used on Type No(s). 0186.
						55	695288	Housing-Rewind Starter
						58	693389	Rope-Starter (Cut to Required Length)
						59	805957	Insert-Grip
						60	490652	Grip-Starter Rope
						65	691696	Screw (Rewind Starter) ----- <b>Note</b> -----
								<b>690759</b> Screw (Rewind Starter) Used on Type No(s). 0125, 0127, 0132, 0134, 0135, 0137, 0138, 0140, 0141, 0152.

★ Included in Engine Gasket Set-Ref. No.358.

● Included in Carburetor Overhaul Kit-Ref. No. 121 &121A.

◆ Included in Carburetor Gasket Set-Ref. No. 977 & 977A.

Δ Included in Valve Gasket Set-Ref. No 1095.

**Illustrations cover a range of engines. Parts shown without corresponding text are not used on this engine.**

REF. NO.	PART NO.	DESCRIPTION	REF. NO.	PART NO.	DESCRIPTION	REF. NO.	PART NO.	DESCRIPTION
81	695400	Lock-Muffler Screw	185	690958	Nut (Air Cleaner Base)	240	394358	Filter-Fuel
95A	690718	Screw (Throttle Valve)	187	791766	Line-Fuel (Cut To Required Length) (Used After Code Date 05063000)	265	691024	Clamp-Casing Used on Type No(s). 0124, 0125.
97A	696387	Shaft-Throttle				267	692577	Screw (Casing Clamp) Used on Type No(s). 0124, 0125.
98A	695408	Kit-Idle Speed				268	691025	Casing-Control Wire (Cut to Required Length)
104A	694918	Pin-Float Hinge				269	691026	Wire-Control (Cut to Required Length)
105A	696136	Valve-Float Needle				270	691027	Nut (Control Wire Casing)
108A	696143	Valve-Choke				271	695381	Lever-Control
108B	696209	Valve-Choke				271B	691028	Lever-Control
109	790077	Shaft-Choke				278	792008	Washer (Governor Control Lever)
109B	790149	Shaft-Choke				281	697268	Panel-Control (Used After Code Date 01102800).
109C	790148	Shaft-Choke						----- <b>Note</b> ----- <b>695294</b> Panel-Control (Used Before Code Date 01102900).
109E	696735	Shaft-Choke	187A	791869	Line-Fuel (Used After Code Date 05063000)			
117	696134	Jet-Main (Standard)						
118	696135	Jet-Main (High Altitude)						
121A	696146	Kit-Carburetor Overhaul (Nikki Carburetor)	188	690877	Screw (Control Bracket)			
122 <sup>Δ</sup> ◆◆	694876	Spacer-Carburetor	190	692127	Screw (Fuel Tank)			
125A	699966	Carburetor	192	690083	Adjuster-Rocker Arm			
		----- <b>Note</b> ----- <b>695920</b> Carburetor Used on Type No(s). 0186.	209	694867	Spring-Governor ----- <b>Note</b> ----- <b>695491</b> Spring Governor Used on Type No(s). 0046, 0186.			
127A	690727	Plug-Welch	211	695307	Spring-Governor Idle			
130A	696139	Valve-Throttle	219	693578	Gear-Governor			
133A	694914	Float-Carburetor	220	691724	Washer (Governor Gear)			
135	696142	Tube-Fuel Transfer	222	695380	Bracket-Control Used on Type No(s). 0035, 0036, 0100, 0105, 0110, 0124, 0125, 0131, 0141.			
137A	695426	Gasket-Float Bowl	222A	694866	Bracket-Control Used on Type No(s). 0046, 0070, 0111, 0114, 0127, 0134, 0135, 0140, 0186.			
141	698457	Shaft-Choke	222B	791671	Bracket-Control			
141B	696145	Shaft-Choke	227	694864	Lever-Governor Control			
141C	696144	Shaft-Choke	231	690718	Screw (Choke Valve)			
141E	699979	Shaft-Choke						
146	690979	Key-Timing						
161	695384	Base-Air Cleaner						
161A	694870	Base-Air Cleaner						
161B	699960	Base-Air Cleaner						
163 <sup>★</sup> ◆◆	692277	Gasket-Air Cleaner						
165	694685	Nut (Ring Gear)						
176 <sup>★</sup> ◆◆	691917	Seal-O Ring (Air Cleaner Base) ----- <b>Note</b> ----- <b>691876</b> Seal-O Ring (Air Cleaner Base) Used on Type No(s). 0114, 0137, 0138.						

★ Included in Engine Gasket Set-Ref. No.358.

● Included in Carburetor Overhaul Kit-Ref. No. 121 &121A.

◆ Included in Carburetor Gasket Set-Ref. No. 977 & 977A.

Δ Included in Valve Gasket Set-Ref. No 1095.

**Illustrations cover a range of engines. Parts shown without corresponding text are not used on this engine.**

# 210400

REF. NO.	PART NO.	DESCRIPTION	REF. NO.	PART NO.	DESCRIPTION	REF. NO.	PART NO.	DESCRIPTION
<b>286</b>	<b>695186</b>	Module–Oil Sensor (Used Before Code Date 03010600). Used on Type No(s). 0070, 0111, 0114, 0135, 0141.	<b>287</b>	<b>691693</b>	Screw (Dipstick Tube) Used on Type No(s). 0046, 0124, 0132, 0152, 0186.	<b>334</b>	<b>691061</b>	Screw (Magneto Armature)
<b>286A</b>	<b>699952</b>	Module–Oil Sensor (Used After Code Date 03082900). Used on Type No(s). 0134, 0140. ----- <b>Note</b> ----- <b>696058</b> Module–Oil Sensor (Used Before Code Date 03010600). Used on Type No(s). 0134, 0140.	<b>298</b>	<b>698838</b>	Locknut–Muffler/Elbow Used on Type No(s). 0137, 0138.	<b>337</b>	<b>491055</b>	Plug–Spark ----- <b>Note</b> ----- <b>691043</b> Plug–Spark Used on Type No(s). 0105, 0125.
<b>286B</b>	<b>696702</b>	Module–Oil Sensor (Used After Code Date 03010500 and Before Code Date 03072400). Used on Type No(s). 0070, 0111, 0114, 0135, 0141.	<b>300</b>	<b>697252</b>	Muffler (Used After Code Date 01120200). ----- <b>Note</b> ----- <b>698101</b> Muffler Used on Type No(s). 0150.	<b>347</b>	<b>697854</b>	Switch–Rocker Used on Type No(s). 0070, 0111, 0114, 0142, 0145.
<b>286C</b>	<b>699951</b>	Module–Oil Sensor Used on Type No(s). 0137. ----- <b>Note</b> ----- <b>699951</b> Module–Oil Sensor (Used After Code Date 03072300). Used on Type No(s). 0070, 0111, 0114, 0135, 0136, 0141, 0142, 0145, 0150.	<b>300A</b>	<b>695311</b>	Muffler (Used Before Code Date 01120300)	<b>347A</b>	<b>698338</b>	Switch–Rocker Used on Type No(s). 0046, 0124, 0125, 0186.
			<b>304</b>	<b>791478</b>	Housing–Blower	<b>347B</b>	<b>790949</b>	Switch–Rocker
			<b>305</b>	<b>691108</b>	Screw (Blower Housing)	<b>356</b>	<b>692603</b>	Wire–Stop Used on Type No(s). 0046, 0070, 0111, 0114, 0124, 0125, 0135, 0136, 0137, 0138, 0140, 0150, 0186.
			<b>306</b>	<b>694677</b>	Shield Cylinder (Used Before Code Date 01102900).	<b>356A</b>	<b>692390</b>	Wire–Stop Used on Type No(s). 0035, 0036, 0100, 0110, 0131, 0141.
			<b>306A</b>	<b>697240</b>	Shield–Cylinder (Used After Code Date 01102800).	<b>356C</b>	<b>695295</b>	Wire Stop Used on Type No(s). 0046, 0070, 0111, 0114, 0124, 0135, 0137, 0138, 0150, 0186.
			<b>307</b>	<b>691108</b>	Screw (Cylinder Shield)	<b>356D</b>	<b>694372</b>	Wire–Stop Used on Type No(s). 0127.
			<b>307A</b>	<b>691660</b>	Screw (Cylinder Shield)	<b>356E</b>	<b>697336</b>	Wire–Stop Used on Type No(s). 0132, 0134. ----- <b>Note</b> ----- <b>699340</b> Wire–Stop Used on Type No(s). 0140.
			<b>309</b>	<b>695479</b>	Motor–Starter Used on Type No(s). 0127, 0132, 0134, 0137, 0138, 0140, 0145, 0152.	<b>356F</b>	<b>696482</b>	Wire–Stop Used on Type No(s). 0046, 0070, 0111, 0114, 0124, 0135, 0136, 0137, 0138, 0142, 0145, 0150, 0186.
			<b>310</b>	<b>690323</b>	Bolt (Starter Motor)			
			<b>311</b>	<b>497608</b>	Brush Set			
			<b>332</b>	<b>694685</b>	Nut (Flywheel)			
			<b>333</b>	<b>715231</b>	Armature–Magneto			

★ Included in Engine Gasket Set–Ref. No.358.

● Included in Carburetor Overhaul Kit–Ref. No. 121 &121A.

◆ Included in Carburetor Gasket Set–Ref. No. 977 & 977A.

△ Included in Valve Gasket Set–Ref. No 1095.

**Illustrations cover a range of engines. Parts shown without corresponding text are not used on this engine.**

REF. NO.	PART NO.	DESCRIPTION	REF. NO.	PART NO.	DESCRIPTION	REF. NO.	PART NO.	DESCRIPTION
358	695438	Gasket Set-Engine	500	691086	Washer	615	694676	Retainer-Governor Shaft
361	691681	Screw (Starting Switch)	501	691185	Regulator Used on Type No(s). 0132, 0152.			(Governor Gear)
361A	690297	Screw (Starting Switch)	503	691532	Strap-Starter	616	694675	Crank-Governor
363	19069	Puller-Flywheel	504	695383	Washer Set-Friction	621	692310	Switch-Stop
364A	699947	Terminal-Oil Plug	505	691251	Nut (Governor Control Lever)	622	698839	Washer (Heat Shield)
369	695422	Spring-Float Bowl	510	693699	Drive Starter	627	696064	Panel
383	19374	Wrench-Spark Plug	513	692024	Clutch-Drive	627A	790952	Panel
410	695382	Link-Control	522	697689	Plug-Dipstick/Fill Used on Type No(s). 0114, 0136.	632	695917	Link-Throttle (Use With Nikki Carburetor)
415	691363	Plug	523	695344	Dipstick	633B ♦♦690998		Seal-Choke/Throttle Shaft
425A	694515	Screw (Air Cleaner Cover) Used on Type No(s). 0070, 0111, 0114, 0136, 0150.	524	691876	Seal-Dipstick Tube	635	710901	Boot-Spark Plug
445	491588	Filter-Air Cleaner Cartridge	525	695343	Tube-Dipstick	636	691029	Nut (Starting Switch) (1/4" Diameter)
445A	695302	Filter-Air Cleaner Cartridge Used on Type No(s). 0186.	526	690297	Screw (Regulator)			----- <b>Note</b> ----- <b>696198</b> Nut (Starting Switch) (5/16" Diameter)
455	694683	Cup-Flywheel	529	791822	Grommet	641	691075	Washer (Starting Switch)
455A	697357	Cup-Flywheel Used on Type No(s). 0145.	544	692034	Armature Starter	641A	690282	Washer (Starting Switch)
456	692299	Plate-Pawl Friction	552	694674	Bushing-Governor Crank	654	690958	Nut (Carburetor)
459	281505	Pawl-Ratchet	562	691119	Bolt (Governor Control Lever)	663	692577	Screw (Control Panel)
462	691261	Washer (Starter Cable)	564	692577	Screw (Control Cover)			----- <b>Note</b> ----- <b>690372</b> Screw (Control Panel) Used on Type No(s). 0134, 0152.
467	691668	Knob-Air-Cleaner (DC Only) Used on Type No(s). 0186.	564A	692198	Screw (Control Cover)	664	691087	Nut (Key Switch)
474A	695730	Alternator (10-16 Amp Regulated) Used on Type No(s). 0134.	575	692303	Switch-Starter	668	694257	Spacer (Control Bracket)
474D	695466	Alternator Used on Type No(s). 0132, 0142.	577	690630	Cable Starter	668A	693604	Spacer
493	694861	Bracket-Mounting Used on Type No(s). 0070, 0111, 0114, 0136, 0150.	577A	690795	Cable Starter	676	393761	Deflector-Muffler (Side Out)
493A	691177	Bracket-Mounting Used on Type No(s). 0132, 0152.	578	692306	Wire Assembly	677	690661	Screw (Muffler Deflector)
			578A	790948	Wire Assembly			
			579	691029	Nut (Starter Cable)			
			592	690800	Nut (Rewind Starter)			
			597	691696	Screw (Pawl Friction Plate)			
			601	95162	Clamp-Hose			
			604	697326	Cover-Control			
			604A	791752	Cover-Control			
			608	695287	Starter-Rewind			
			613	695312	Screw (Muffler)			
			613A	695399	Screw (Muffler)			

★ Included in Engine Gasket Set-Ref. No.358.

● Included in Carburetor Overhaul Kit-Ref. No. 121 &121A.

♦ Included in Carburetor Gasket Set-Ref. No. 977 & 977A.

△ Included in Valve Gasket Set-Ref. No 1095.

**Illustrations cover a range of engines. Parts shown without corresponding text are not used on this engine.**

# 210400

REF. NO.	PART NO.	DESCRIPTION	REF. NO.	PART NO.	DESCRIPTION	REF. NO.	PART NO.	DESCRIPTION
689	691855	Spring-Friction	801	694482	Cap-Drive	951	699961	Lever-Choke
695	698807	Screw (Ring Gear)	802	691286	Cap-End Used on Type No(s). 0125.	957	694261	Cap-Fuel Tank (Plastic)
697	690372	Screw (Drive Cap)	803	693757	Housing-Starter Used on Type No(s). 0125.	958	698180	Valve-Fuel Shut Off (Plastic) Used on Type No(s). 0035, 0036, 0046, 0100, 0110, 0124, 0125, 0131, 0132, 0141, 0152, 0186.
718	690959	Pin-Locating	813	690635	Clamp Used on Type No(s). 0132, 0152.	967	491435	Filter-Pre Cleaner Used on Type No(s). 0035, 0105, 0134.
718A	695178	Pin-Locating	832	695386	Guard-Muffler Used on Type No(s). 0105, 0125, 0134.	967A	695303	Filter-Pre Cleaner
725	698836	Heat Shield Used on Type No(s). 0137, 0138, 0145. ----- <b>Note</b> ----- 791158 Heat Shield Used on Type No(s). 0136.	836	690367	Screw (Muffler Guard) ----- <b>Note</b> ----- 691876 Screw (Muffler Guard) Used on Type No(s). 0114, 0136.	968	697061	Cover-Air Cleaner
725A	698837	Heat Shield Used on Type No(s). 0136, 0137, 0138, 0145.	842	691031	Seal-O Ring (Dipstick Tube)	968A	692321	Cover-Air Cleaner
727	697465	Cover-Starter Drive	847	695342	Dipstick/Tube Assembly Used on Type No(s). 0124, 0186.	968B	695301	Cover-Air Cleaner
728	696763	Screw (Heat Shield) Used on Type No(s). 0136, 0137, 0138.	868	★Δ690968	Seal-Valve	971	695181	Screw (Air Cleaner Base To Carburetor)
732	691097	Screw (Starter Drive Cover)	875	695304	Base-Air Cleaner (Plastic) Used on Type No(s). 0186.	972	694260	Tank-Fuel (Plastic)
741	691288	Gear-Timing	877A	393814	Wire/Connector	975A	696138	Bowl-Float
742	692564	Retainer-E Ring	877C	399916	Wire/Connector	977A	696147	Gasket Set-Carburetor (Use With Nikki Carburetor)
746	694679	Gear-Idler	883	★Δ697255	Gasket-Exhaust (Used After Code Date 02011900). ----- <b>Note</b> ----- 695398-Gasket Exhaust (Used Before Code Date 02012000).	990	691959	Key Set
773	694258	Retainer	892	392833	Switch-Key	1005	694684	Fan-Flywheel
774	695447	Screw (Stop Wire)	914	693732	Screw (Rocker Cover)	1019	695442	Kit-Label
783	693713	Gear-Pinion	918	393815	Hose-Vacumn	1022	★Δ690971	Gasket-Rocker Cover
797	693167	Nut (Brush Retainer)	920	691656	Solenoid-Starter	1023A	697691	Cover-Rocker Arm
798	697890	Screw (Rocker Arm)				1026	695177	Rod-Push
799	690297	Screw (Oil Sensor) Used on Type No(s). 0070, 0111, 0114, 0132, 0134, 0136, 0137, 0140, 0142, 0145, 0150, 0152.				1029	690972	Arm-Rocker Label-Emissions (Available from an Authorized Briggs & Stratton Service Dealer)
799A	695446	Screw Used on Type No(s). 0111, 0140.				1036		Plug-Blower Housing Used on Type No(s). 0127, 0134, 0140.
						1051	691265	Ring-Retaining Used on Type No(s). 0127.
						1052	790274	Sensor Oil
						1058	275092	Operator's Manual

★ Included in Engine Gasket Set-Ref. No.358.

● Included in Carburetor Overhaul Kit-Ref. No. 121 &121A.

◆ Included in Carburetor Gasket Set-Ref. No. 977 & 977A.

Δ Included in Valve Gasket Set-Ref. No 1095.

**Illustrations cover a range of engines. Parts shown without corresponding text are not used on this engine.**

REF. NO.	PART NO.	DESCRIPTION	REF. NO.	PART NO.	DESCRIPTION	REF. NO.	PART NO.	DESCRIPTION
1070	690364	Screw (Flywheel Fan)	1171	696754	Stud (Rocker Cover)	1230	791754	Stud (Control Bracket)
1090	691293	Retainer-Brush	1194	691876	Seal-O Ring (Plug)	1275	696757	Screw (Rocker Cover)
1095	695440	Gasket Set-Valve	1210	498144	Pulley/Spring Assembly (Pulley)	1330	272147	Repair Manual
1100	690973	Pivot-Rocker Arm	1211	498144	Pulley/Spring Assembly (Spring)	1404	696757	Nut (Control Cover)
1119	691183	Screw (Alternator)						
1127	695407	Screw-Float Bowl						
1138	694255	Nut (Control Bracket)						

★ Included in Engine Gasket Set-Ref. No.358.

● Included in Carburetor Overhaul Kit-Ref. No. 121 &121A.

◆ Included in Carburetor Gasket Set-Ref. No. 977 & 977A.

△ Included in Valve Gasket Set-Ref. No 1095.

**Illustrations cover a range of engines. Parts shown without corresponding text are not used on this engine.**