



Illustrated Parts List

Model Series

20E400

TYPE NUMBERS
0100 through 0204.

TABLE OF CONTENTS

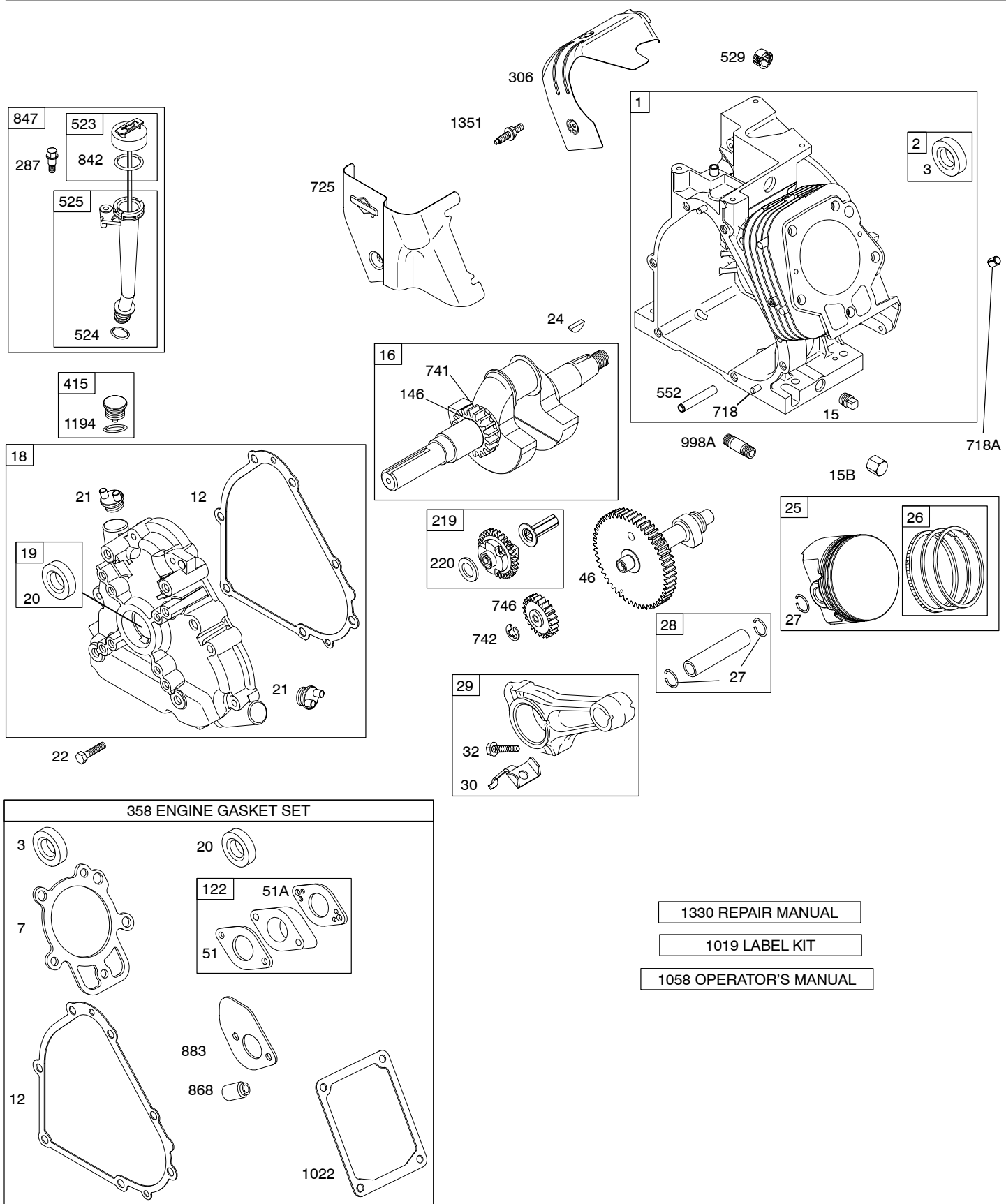
Air Cleaner	6
Alternator	8
Blower Housing/Shrouds	6
Camshaft	2
Carburetor	4
Controls	7
Crankcase Cover	2
Crankshaft	2
Cylinder	2
Cylinder Head	3
Electric Starter	8
Exhaust System	5
Flywheel	6
Fuel Supply	8
Governor Spring	7
Ignition	8
Kit/Gasket Sets - Carburetor	4
Kit/Gasket Sets - Engine	2
Kit/Gasket Sets - Valves	3
Lubrication	2
Piston, Rings, Connecting Rod	2
Rewind Starter	6
Valves	3

PRINTED IN U.S.A.



COPYRIGHT by BRIGGS & STRATTON CORPORATION
All rights reserved. No part of this material may be reproduced or transmitted, in any form or by any means, electronic or mechanical, including photocopying, recording or by any information storage and retrieval system, without permission in writing from Briggs & Stratton Corporation.

20E400



1330 REPAIR MANUAL

1019 LABEL KIT

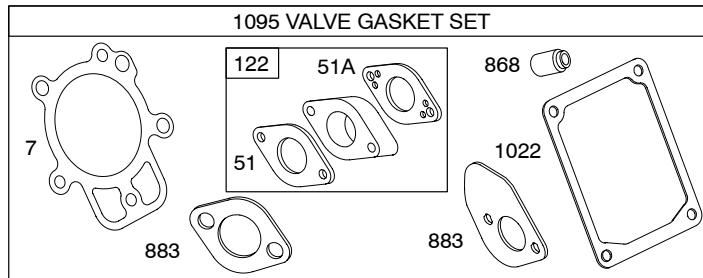
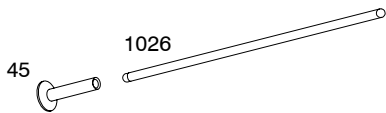
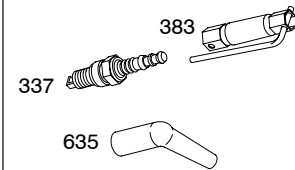
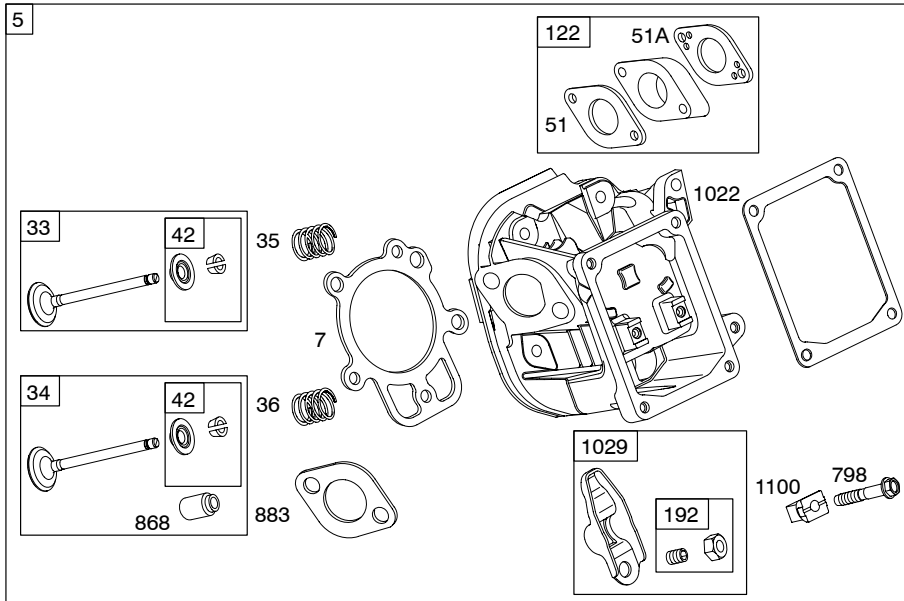
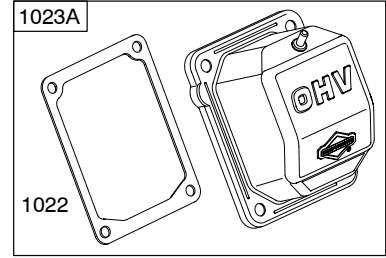
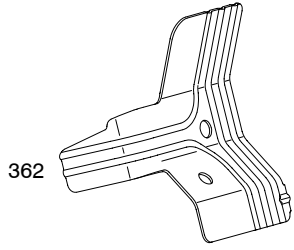
1058 OPERATOR'S MANUAL

Illustrations cover a range of engines. Parts shown without corresponding text are not used on this engine.

5273-2

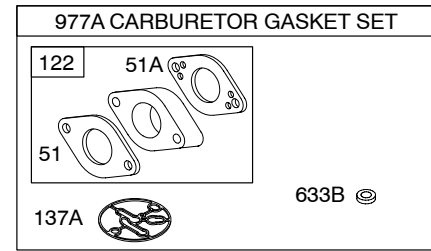
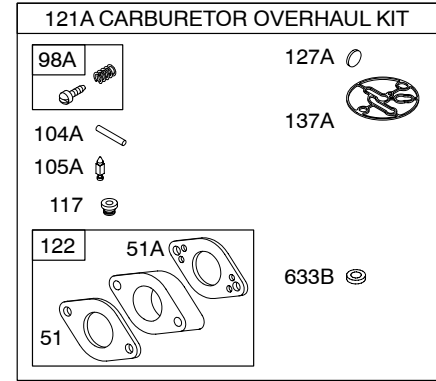
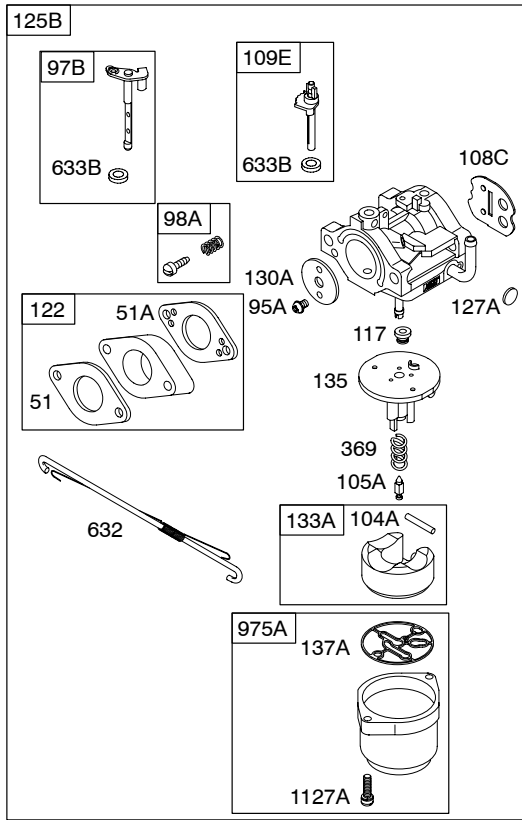
Assemblies include all parts shown in frames.

09/27/2005



Illustrations cover a range of engines. Parts shown without corresponding text are not used on this engine.

20E400

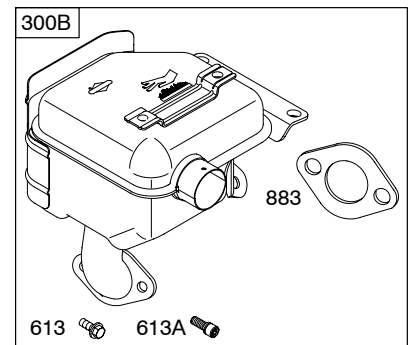
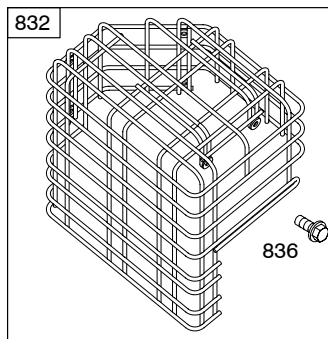
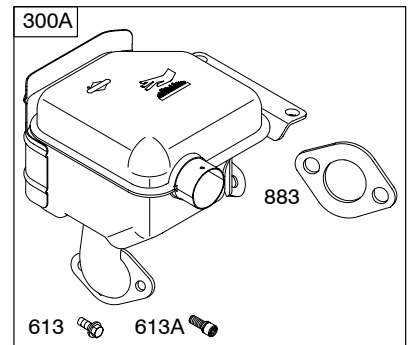
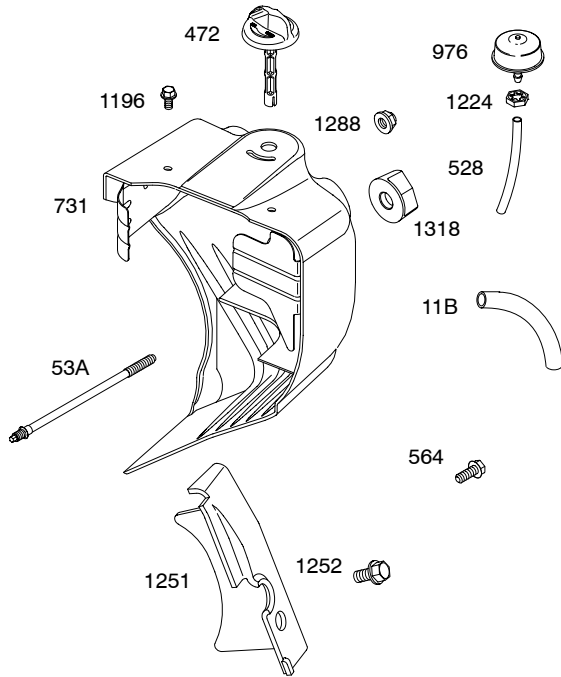


Illustrations cover a range of engines. Parts shown without corresponding text are not used on this engine.

5273-4

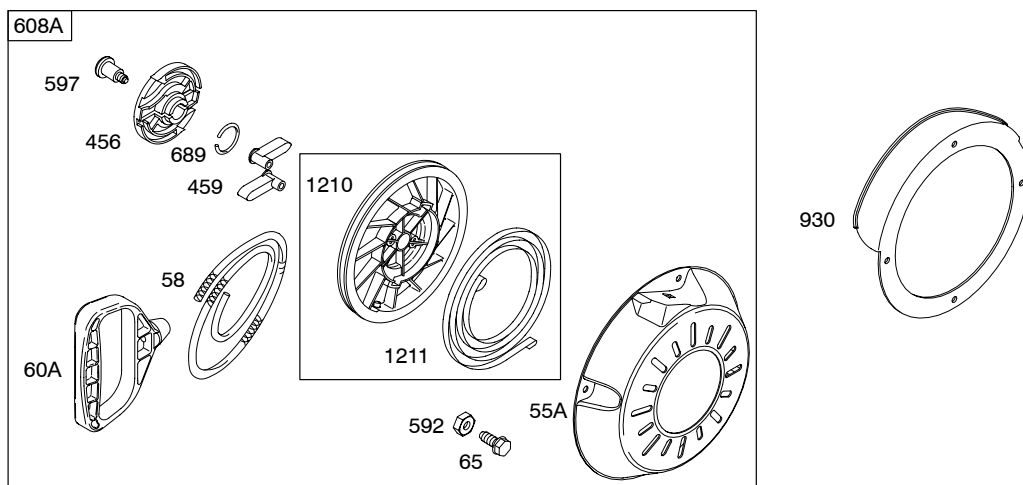
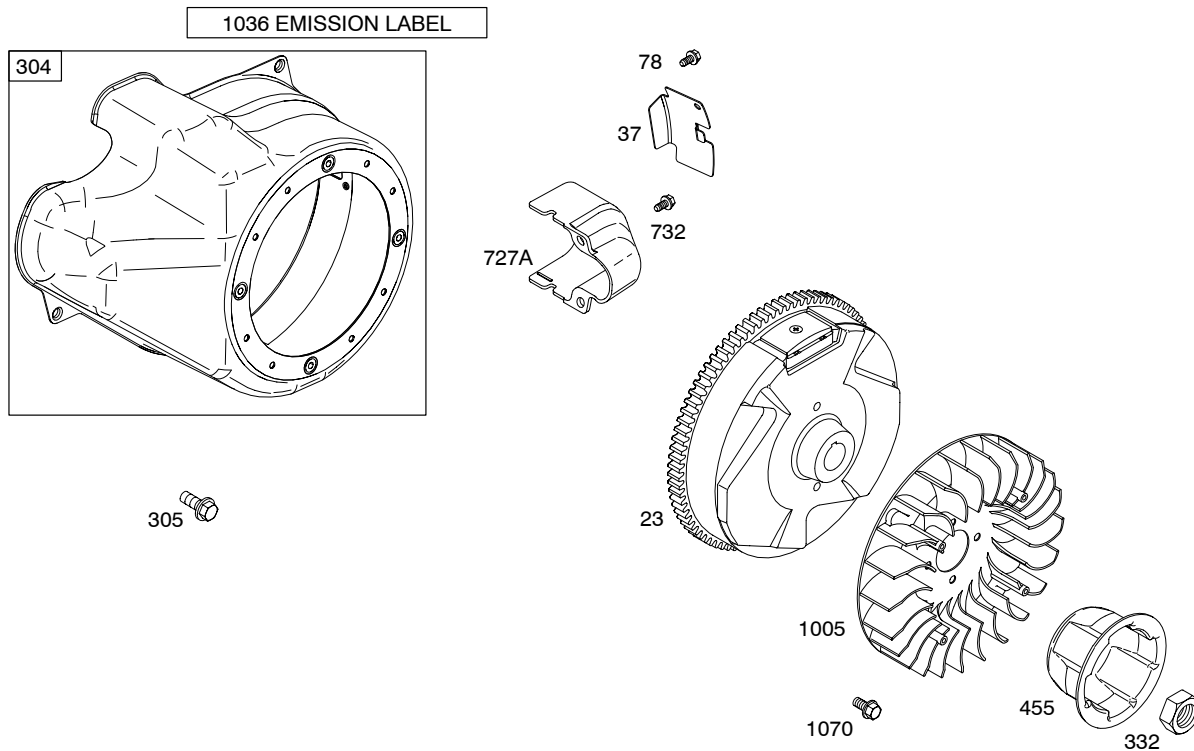
Assemblies include all parts shown in frames.

09/27/2005

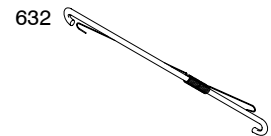
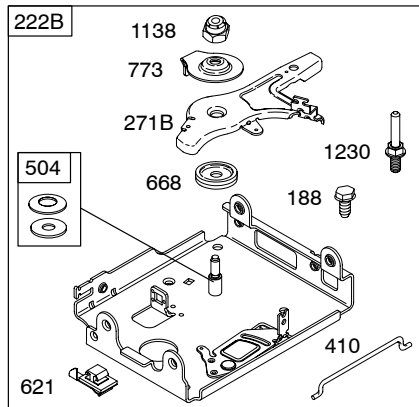
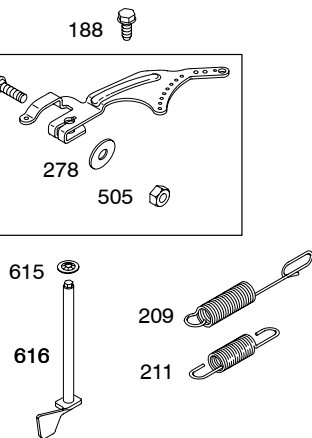
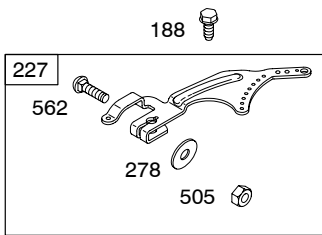
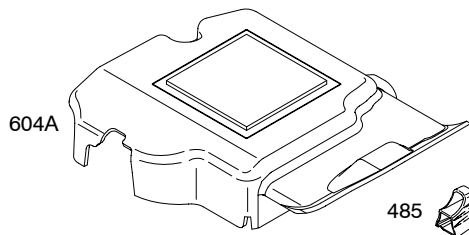
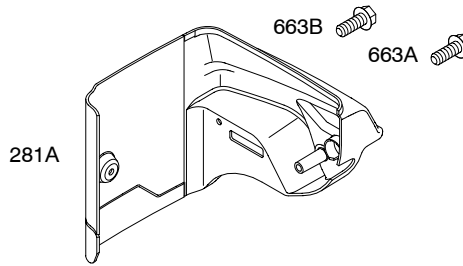
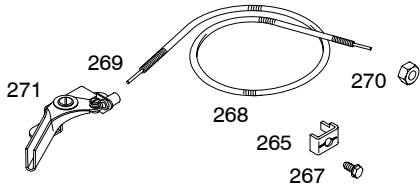


5273-5 **Illustrations cover a range of engines. Parts shown without corresponding text are not used on this engine.** Assemblies include all parts shown in frames. 09/27/2005

20E400

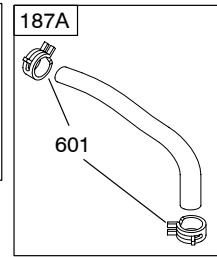
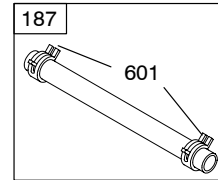
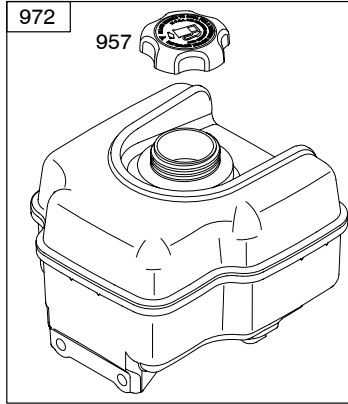
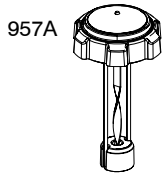


Illustrations cover a range of engines. Parts shown without corresponding text are not used on this engine.
5273-6 Assemblies include all parts shown in frames. 09/27/2005




5273-7 *Illustrations cover a range of engines. Parts shown without corresponding text are not used on this engine.* Assemblies include all parts shown in frames. 09/27/2005

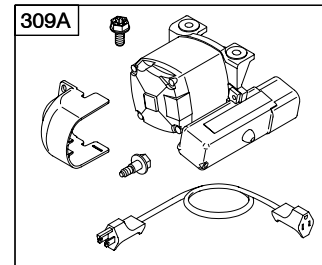
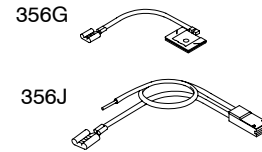
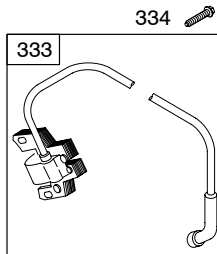
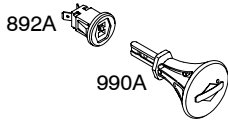
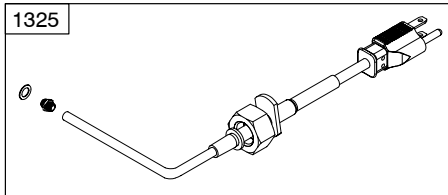
20E400



DUAL CIRCUIT	DC ONLY

NOTE: All stators use a No. 1119 mounting screw. 

NOTE: The proper flywheel part number and/or the alternator magnet size will determine the alternator type or output. See repair instruction manual for additional information.



REF. NO.	PART NO.	DESCRIPTION	REF. NO.	PART NO.	DESCRIPTION	REF. NO.	PART NO.	DESCRIPTION
1	695464	Cylinder Assembly	24	222698	Key-Flywheel	53A	696753	Stud (Carburetor)
2	698340	Kit-Bushing/Seal (Magneto Side)	25	792117	Piston Assembly (Standard)	55A	696710	Housing-Rewind Starter
3	★391086	Seal-Oil (Magneto Side)			----- Note -----	58	693389	Rope-Starter
5	697233	Head-Cylinder (Used After Code Date 01102800).			792144 Piston Assembly (.020" Oversize)	60A	695740	Grip-Starter Rope
		----- Note -----	26	792026	Ring Set (Standard) (Used After Code Date 05081000)	65	695453	Screw (Rewind Starter)
		698040 Head-Cylinder (Used Before Code Date 01102900).			----- Note -----	78	695724	Screw (Flywheel Guard) Used on Type No(s). 0100.
7	★Δ694872	Gasket-Cylinder Head			694004 Ring Set (Used Before Code Date 05081100)	95A	690718	Screw (Throttle Valve)
11B	696750	Tube-Breather			792073 Ring Set (.020" Oversize) (Used After Code Date 05081000)	97B	696387	Shaft-Throttle
12	★694953	Gasket-Crankcase			694008 Ring Set (.020" Oversize) (Used Before Code Date 05081100)	98A	●695408	Kit-Idle Speed
13	690360	Screw (Cylinder Head)	27	690975	Lock-Piston Pin	104A	●694918	Pin-Float Hinge
15	691686	Plug-Oil Drain	28	690229	Pin-Piston	105A	●696136	Valve-Float Needle
15B	695757	Plug-Oil Drain	29	694691	Rod-Connecting	108C	696736	Valve-Choke
16	695369	Crankshaft	30	694692	Dipper-Connecting Rod	109E	696735	Shaft-Choke
		----- Note -----	32	690976	Screw (Connecting Rod)	117	●696134	Jet-Main (Standard)
		696412 Crankshaft Used on Type No(s). 0162, 0163, 0204.	33	499596	Valve-Exhaust	118	696135	Jet-Main (High Altitude)
18	696914	Cover-Crankcase	34	697464	Valve-Intake	121A	696146	Kit-Carburetor Overhaul (Nikki Carburetor)
19	698340	Kit-Bushing/Seal (PTO Side)	35	694865	Spring-Valve (Intake)	122★Δ◆694876	Spacer-Carburetor	
20	★391086	Seal-Oil (PTO Side)	36	694865	Spring-Valve (Exhaust)	125B	696737	Carburetor
21	281658	Cap-Oil Fill	37	699047	Guard-Flywheel Used on Type No(s). 0100.	127A	●690727	Plug-Welch
22	695174	Screw (Crankcase Cover/ Sump)	42	499586	Keeper-Valve	130A	696139	Valve-Throttle
23	695485	Flywheel	45	690977	Tappet-Valve	133A	694914	Float-Carburetor
			46	790496	Camshaft	135	696142	Tube-Fuel Transfer
			51★Δ◆694874	Gasket-Intake		137A	◆695426	Gasket-Float Bowl
			51A★Δ◆694875	Gasket-Intake		146	690979	Key-Timing
						187	691050	Line-Fuel (Cut to Required Length)
						187A	695429	Line-Fuel ----- Note -----
								698080 Line-Fuel Used on Type No(s). 0162, 0163, 0204.

★ Included in Engine Gasket Set-Ref. No.358.

● Included in Carburetor Overhaul Kit-Ref. No. 121 & 121A.

◆ Included in Carburetor Gasket Set-Ref. No. 977 & 977A.

Δ Included in Valve Gasket Set-Ref. No 1095.

Illustrations cover a range of engines. Parts shown without corresponding text are not used on this engine.

20E400

REF. NO.	PART NO.	DESCRIPTION	REF. NO.	PART NO.	DESCRIPTION	REF. NO.	PART NO.	DESCRIPTION
188	690877	Screw (Control Bracket)	300A	699211	Muffler Used on Type No(s). 0100.	309A	698112	Starter-Motor Used on Type No(s). 0204.
190	692127	Screw (Fuel Tank)	300B	699222	Muffler (Used After Code Date 03041300). Used on Type No(s). 0162, 0163, 0204.			----- Note ----- 698608 Starter-Motor Used on Type No(s). 0162, 0163.
192	690083	Adjuster-Rocker Arm				332	694685	Nut (Flywheel)
209	694867	Spring-Governor				333	715231	Armature-Magneto
211	695307	Spring-Governor Idle				334	691061	Screw (Magneto Armature)
219	693578	Gear-Governor				337	491055	Plug-Spark
220	691724	Washer (Governor Gear)				356G	696748	Wire-Stop
222B	698034	Bracket-Control				356J	696700	Wire-Stop
227	694864	Lever-Governor Control	304	791479	Housing-Blower (Used After Code Date 01102800). ----- Note ----- 698160 Muffler (Used Before Code Date 03041400). Used on Type No(s). 0162, 0163, 0204.	358	695438	Gasket Set-Engine
265	691024	Clamp-Casing				362	698041	Shield-Spark Plug
267	692577	Screw (Casing Clamp)				369	695422	Spring-Float Bowl
268	691025	Casing-Control Wire (Cut to Required Length)				383	19374	Wrench-Spark Plug
269	691026	Wire-Control (Cut to Required Length)				410	695382	Link-Control
270	691027	Nut (Control Wire Casing)	305	691108	Screw (Blower Housing)	415	691363	Plug
271	691028	Lever-Control				455	697226	Cup-Flywheel
271B	698035	Lever-Control	306	697240	Shield-Cylinder (Used After Code Date 01102800). ----- Note ----- 694677 Shield- Cylinder (Used Before Code Date 01102900).	456	692299	Plate-Pawl Friction
278	792008	Washer (Governor Control Lever)				459	281505	Pawl-Ratchet
281A	697400	Panel-Control ----- Note ----- 698081 Panel-Control Used on Type No(s). 0162, 0163, 0204.				472	696752	Knob-Choke Shaft ----- Note ----- 698111 Knob-Choke Shaft Used on Type No(s). 0162, 0163, 0204.
287	691693	Screw (Dipstick/Tube))				474A	695730	Alternator (3 Amps DC) Used on Type No(s). 0162, 0163.
						474H	698230	Alternator (Dual Circuit) Used on Type No(s). 0204.

★ Included in Engine Gasket Set-Ref. No.358.

● Included in Carburetor Overhaul Kit-Ref. No. 121 & 121A.

◆ Included in Carburetor Gasket Set-Ref. No. 977 & 977A.

△ Included in Valve Gasket Set-Ref. No 1095.

Illustrations cover a range of engines. Parts shown without corresponding text are not used on this engine.

5273-10

Assemblies include all parts shown in frames.

09/27/2005

20E400

REF. NO.	PART NO.	DESCRIPTION	REF. NO.	PART NO.	DESCRIPTION	REF. NO.	PART NO.	DESCRIPTION
485	695755	Knob-Control	668	694257	Spacer (Control Bracket)	883	★△695398	Gasket-Exhaust (Used Before Code Date 02012000).
504	695383	Washer Set-Friction	689	691855	Spring-Friction	883A	★△697255	Gasket-Exhaust (Used After Code Date 02011900).
505	691251	Nut (Governor Control Lever)	718	690959	Pin-Locating (Cylinder)	892A	★△696749	Switch-Key
523	695344	Dipstick	718A	695178	Pin-Locating (Head)	914	693732	Screw (Rocker Cover)
524	691876	Seal-O Ring (Dipstick Tube)	725	696756	Shield-Heat	930	696709	Guard-Rewind
525	695343	Tube-Dipstick	727A	697465	Cover-Starter Drive Used on Type No(s). 0162, 0163, 0204.	957	694261	Cap-Fuel Tank (Plastic)
528	696751	Hose-Primer	731	790222	Hood-Snow (Used After Code Date 01102800).	957A	698109	Cap-Fuel Tank Used on Type No(s). 0162, 0163, 0204.
529	791822	Grommet			----- Note -----	958	698180	Valve-Fuel Shut Off (Plastic)
552	694674	Bushing-Governor Crank			696755 Hood-Snow (Used Before Code Date 01102900).	972	694260	Tank-Fuel (Plastic)
562	691119	Bolt (Governor Control Lever)	732	691097	Screw (Starter Drive Cover)	975A	696138	Bowl-Float
564	696692	Screw (Control Cover)	741	691288	Gear-Timing	976	790221	Primer-Carburetor (Used After Code Date 04061500).
592	690800	Nut (Rewind Starter)	742	692564	Retainer-E Ring			----- Note -----
597	691696	Screw (Pawl Friction Plate)	746	694679	Gear-Idler			695750 Primer-Carburetor (Used Before Code Date 04061600).
601	95162	Clamp-Hose	773	694258	Retainer	977A	696147	Gasket Set-Carburetor (Used With Nikki Carburetor)
604A	696758	Cover-Control	798	697890	Screw (Rocker Arm)	990A	695756	Key Set
608A	699335	Starter-Rewind	832	699223	Guard-Muffler Used on Type No(s). 0204.	998A	696683	Pipe-Oil
613	695312	Screw (Muffler)	836	691003	Screw (Muffler Guard)	1005	694684	Fan-Flywheel
613B	696705	Screw (Muffler)	842	691031	Seal-O Ring (Dipstick Tube)	1019	696745	Kit-Label
615	694676	Retainer-Governor Shaft	847	695342	Dipstick/Tube Assembly	1022	★△690971	Gasket-Rocker Cover
616	694675	Crank-Governor	868	★△690968	Seal-Valve			
621	692310	Switch-Stop	877A	393456	Wire/Connector Alternator Used on Type No(s). 0162, 0163, 0204.			
632A	695917	Link-Throttle (Used With Nikki Carburetor0	877	393814	Wire/Connector Alternator			
633B	◆690998	Seal-Choke/Throttle Shaft	878	398661	Harness-Alternator			
635	710901	Boot-Spark Plug (Alternator)						
663A	696685	Screw (Control Panel)						
663B	696704	Screw (Control Panel)						

★ Included in Engine Gasket Set-Ref. No.358.

● Included in Carburetor Overhaul Kit-Ref. No. 121 & 121A.

◆ Included in Carburetor Gasket Set-Ref. No. 977 & 977A.

△ Included in Valve Gasket Set-Ref. No 1095.

Illustrations cover a range of engines. Parts shown without corresponding text are not used on this engine.

20E400

REF. NO.	PART NO.	DESCRIPTION	REF. NO.	PART NO.	DESCRIPTION	REF. NO.	PART NO.	DESCRIPTION
1023A	697438	Cover-Rocker Arm ----- Note ----- 698042 Cover-Rocker Used on Type No(s). 0162, 0163, 0204.	1171	696754	(Control Bracket) Stud (Rocker Cover)	1230	696747	(Carburetor Primer) Stud (Control Bracket)
1026	695177	Rod-Push	1194	691876	Seal-O Ring (Plug)	1251	696762	Shield-Snow
1029	690972	Arm-Rocker	1196	699166	Screw (Snow Hood)	1252	691108	Screw (Snow Shield)
1036		Label-Emissions (Available from an Authorized Briggs & Stratton Service Dealer)			(Used After Code Date 03041300). ----- Note ----- 696685 Screw (Snow Hood)	1275	696692	Screw (Rocker Cover)
1058	275697	Operator's Manual			(Used Before Code Date 03041400).	1288	696757	Nut (Snow Hood)
1070	691058	Screw (Flywheel Fan)	1210	498144	Pulley/Spring Assembly (Pulley)	1318	698111	Knob-Snow Hood
1095	695440	Gasket Set-Valve			Pulley/Spring Assembly (Spring)	1325	699358	Block Heater
1100	690973	Pivot-Rocker Arm				1330	272147	Repair Manual
1119	691183	Screw (Alternator)	1211	498144	Pulley/Spring Assembly (Spring)	1351	790017	Stud (Cylinder Shield)
1127A	695407	Screw (Float Bowl)				1352	790026	Nut (Spark Plug Shield)
1138	694255	Nut	1224	696824	Nut			

★ Included in Engine Gasket Set-Ref. No.358.

● Included in Carburetor Overhaul Kit-Ref. No. 121 & 121A.

◆ Included in Carburetor Gasket Set-Ref. No. 977 & 977A.

△ Included in Valve Gasket Set-Ref. No 1095.

Illustrations cover a range of engines. Parts shown without corresponding text are not used on this engine.

5273-12

Assemblies include all parts shown in frames.

09/27/2005