



20E100

Illustrated Parts List

Model Series

20E100

TYPE NUMBERS
0349 thru 0364.

TABLE OF CONTENTS

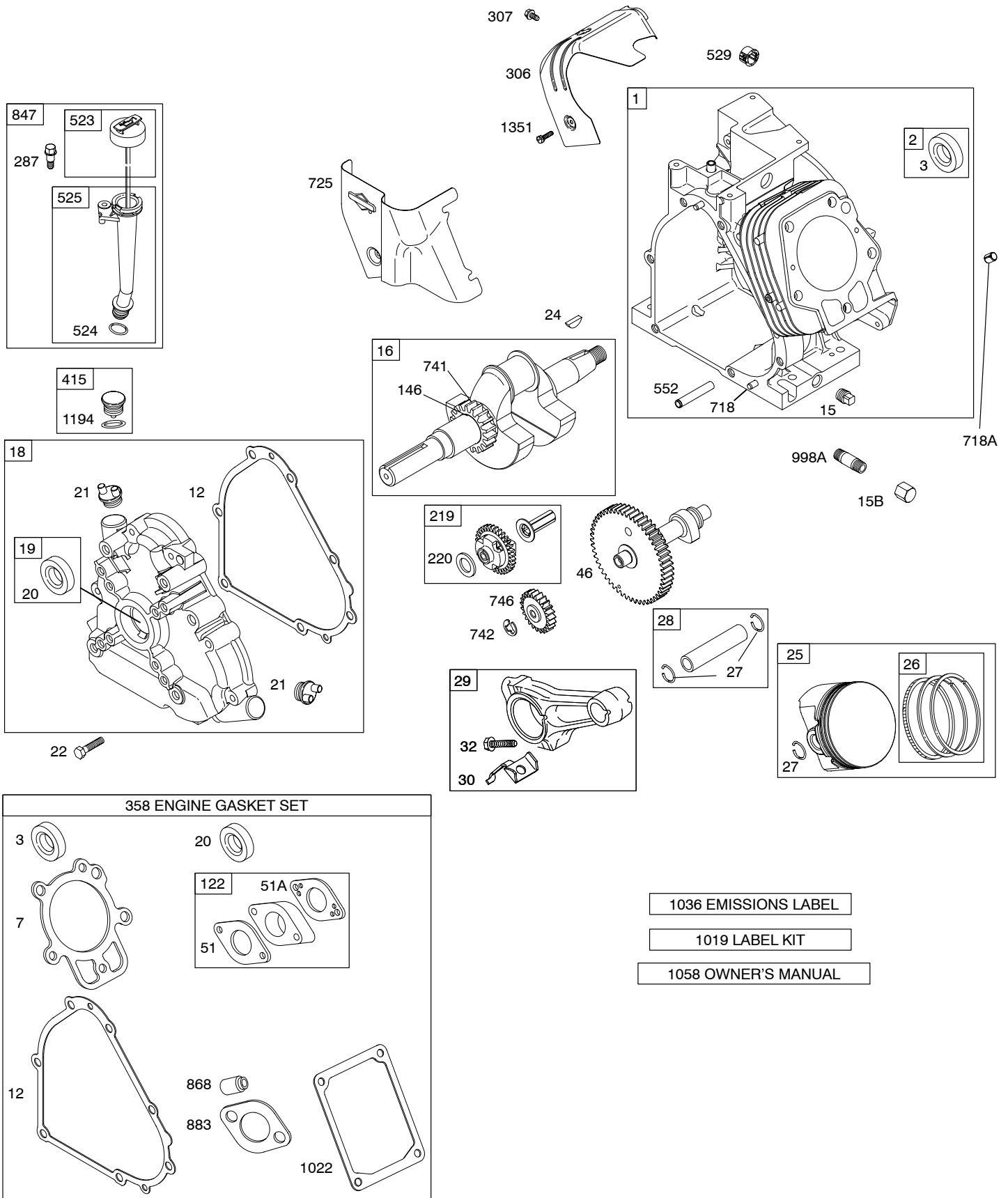
Air Cleaner	5
Alternator	8
Blower Housing/Shrouds	6
Camshaft	2
Carburetor	4
Controls	7
Crankcase Cover	2
Crankshaft	2
Cylinder	2
Cylinder Head	3
Electric Starter	8
Exhaust System	5
Flywheel	6
Fuel Supply	8
Governor Spring	7
Ignition	8
Kit/Gasket Set - Carburetor	4
Kit/Gasket Set - Engine	2
Kit/Gasket Set - Valves	3
Lubrication	2
Piston, Rings, Connecting Rod	2
Rewind Starter	6
Valves	3



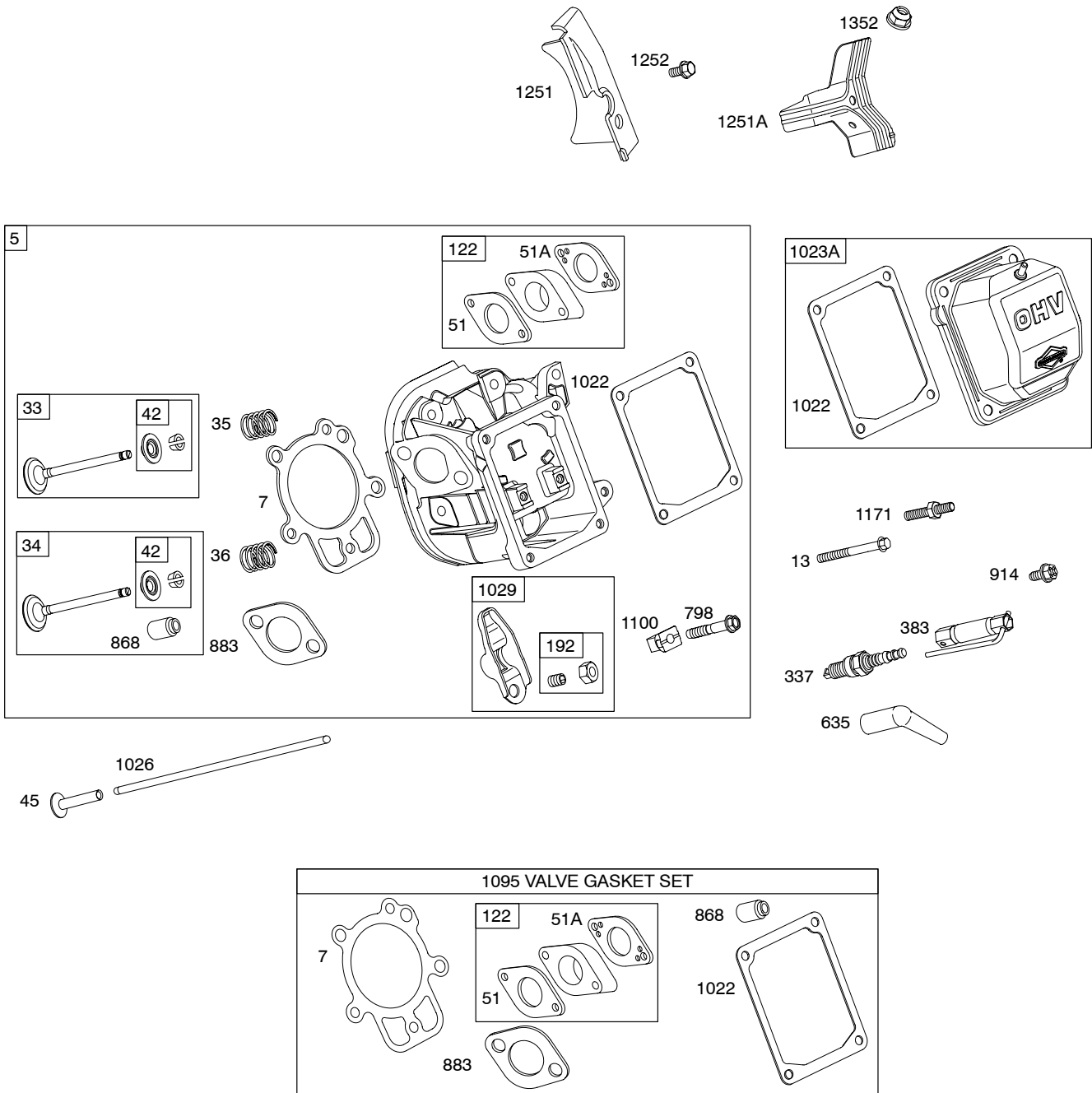
PRINTED IN U.S.A.

COPYRIGHT by BRIGGS & STRATTON CORPORATION
All rights reserved. No part of this material may be reproduced or transmitted, in any form or by any means, electronic or mechanical, including photocopying, recording or by any information storage and retrieval system, without permission in writing from Briggs & Stratton Corporation.

20E100

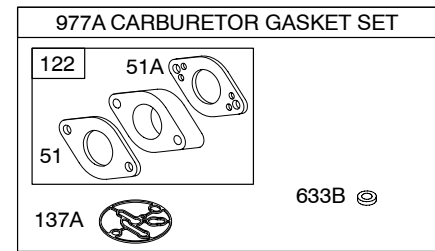
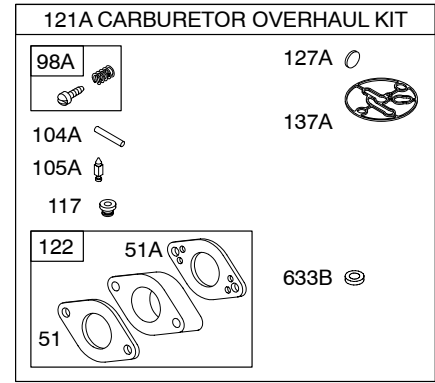
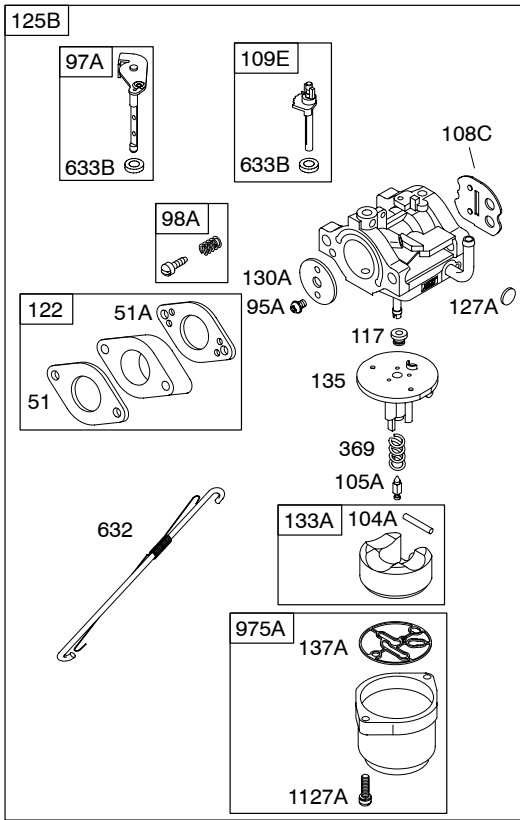


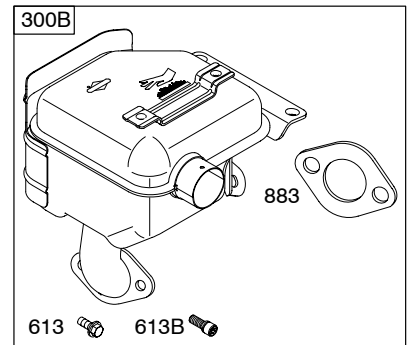
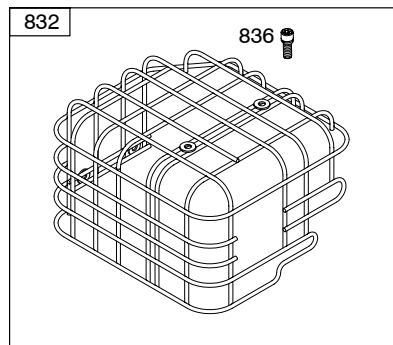
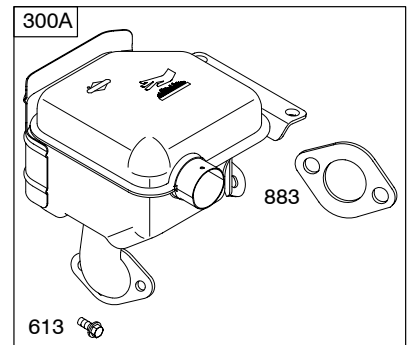
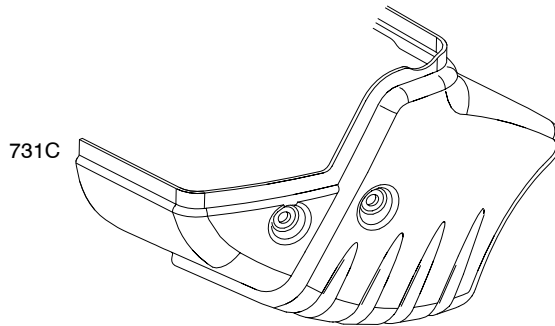
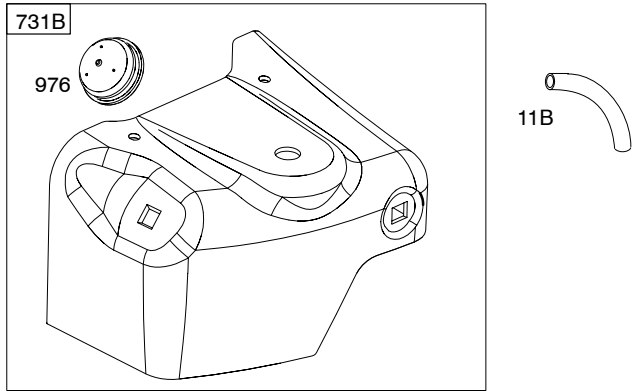
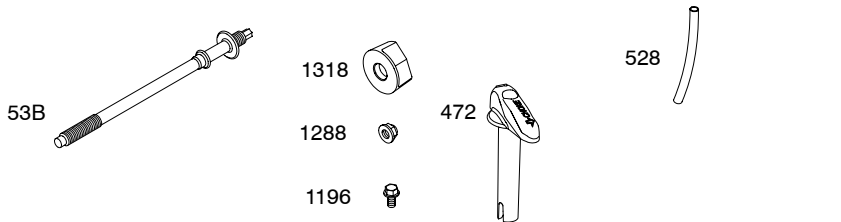
Illustrations cover a range of engines. Parts shown without corresponding text are not used on this engine.
3402-2 Assemblies include all parts shown in frames. **09/28/2005**



Illustrations cover a range of engines. Parts shown without corresponding text are not used on this engine.
 3402-3 Assemblies include all parts shown in frames. 09/28/2005

20E100

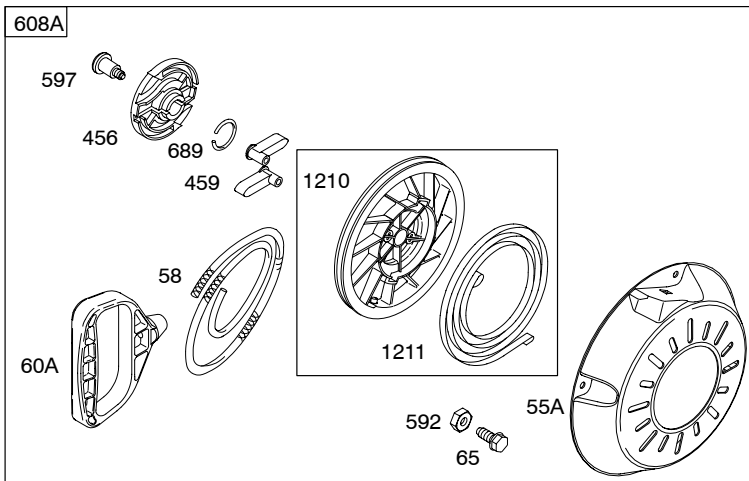
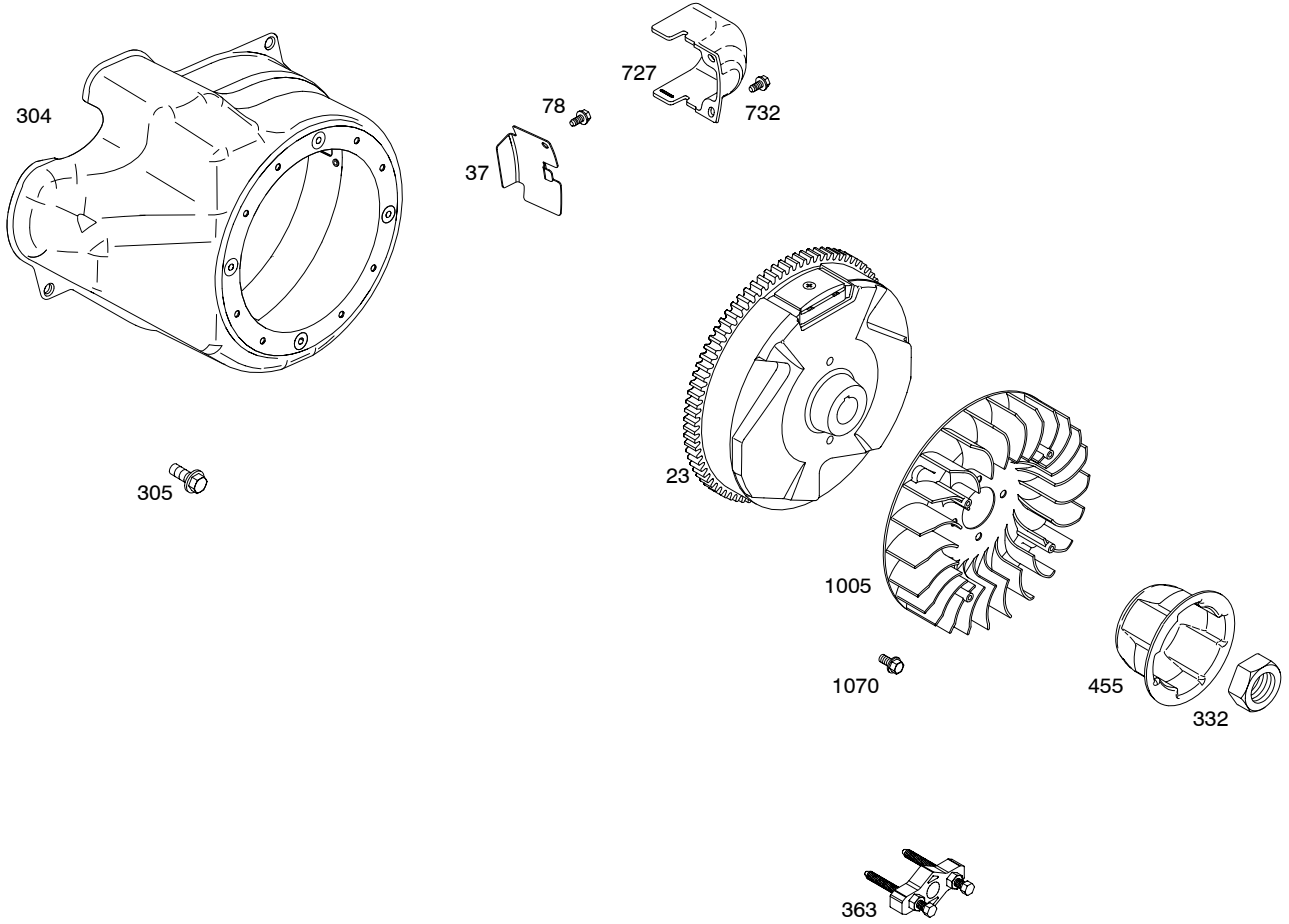




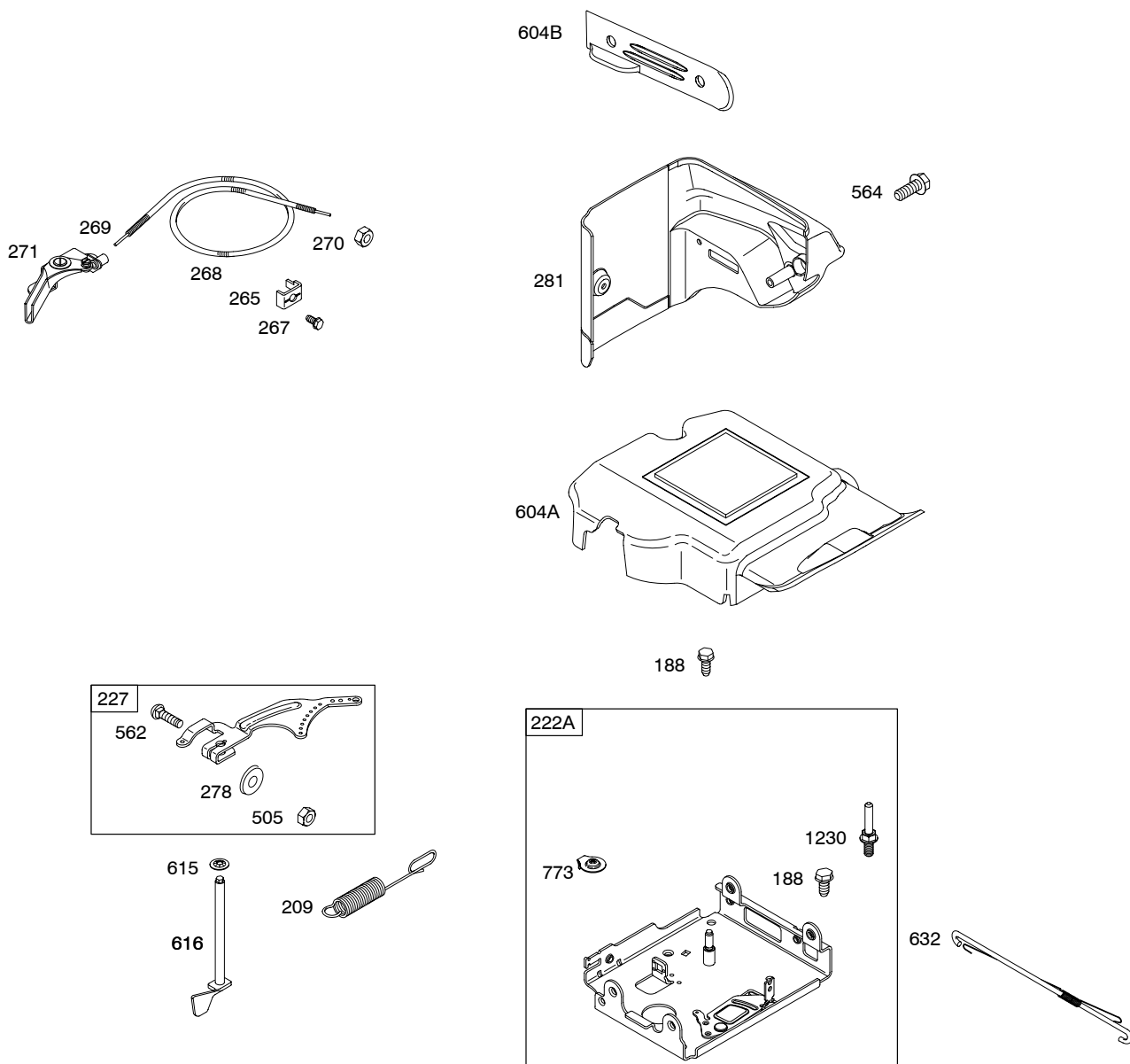
Illustrations cover a range of engines. Parts shown without corresponding text are not used on this engine.
 3402-5 Assemblies include all parts shown in frames. 09/28/2005

20E100

1036 EMISSION LABEL


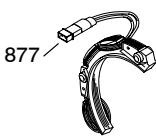



Illustrations cover a range of engines. Parts shown without corresponding text are not used on this engine.
3402-6 Assemblies include all parts shown in frames. 09/28/2005




Illustrations cover a range of engines. Parts shown without corresponding text are not used on this engine.
3402-7 Assemblies include all parts shown in frames. 09/28/2005

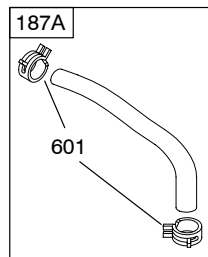
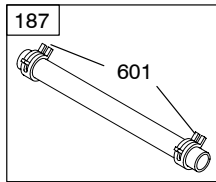
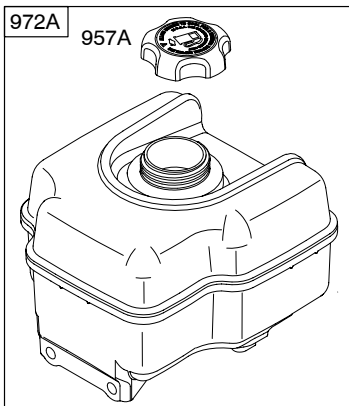
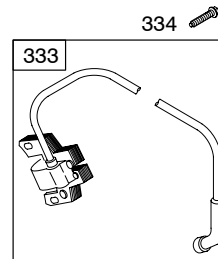
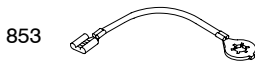
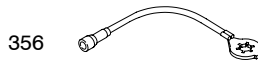
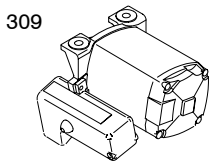
20E100

AC ONLY	DUAL CIRCUIT
474	474H
	877 

NOTE: All stators use a No. 1119 mounting screw. 

NOTE: The proper flywheel part number and/or the alternator magnet size will determine the alternator type or output. See repair instruction manual for additional information.

878 



Illustrations cover a range of engines. Parts shown without corresponding text are not used on this engine.
 3402-8 Assemblies include all parts shown in frames. 09/28/2005

20E100

REF. NO.	PART NO.	DESCRIPTION	REF. NO.	PART NO.	DESCRIPTION	REF. NO.	PART NO.	DESCRIPTION
1	695464	Cylinder Assembly	27	690975	Lock-Piston Pin	122	●*Δ◆694876	Spacer-Carburetor
3	★391086	Seal-Oil (Magneto Side)	28	690229	Pin-Piston	125B	696737	Carburetor
5	697233	Head-Cylinder	29	694691	Rod-Connecting	127A	●690727	Plug-Welch
7	★Δ694872	Gasket-Cylinder Head	30	694692	Dipper-Connecting Rod	130A	696139	Valve-Throttle
11B	696750	Tube-Breather	32	690976	Screw (Connecting Rod)	133A	694914	Float-Carburetor
12	★694953	Gasket-Crankcase	33	499596	Valve-Exhaust	135	696142	Tube-Fuel Transfer
13	690360	Screw (Cylinder Head)	34	697464	Valve-Intake	137A	●◆695426	Gasket-Float Bowl
15	691686	Plug-Oil Drain	35	694865	Spring-Valve (Intake)	146	690979	Key-Timing
15B	695757	Plug-Oil Drain	36	694865	Spring-Valve (Exhaust)	187	791766	Line-Fuel (Cut To Required Length)
16	696412	Crankshaft	37	696701	Guard-Flywheel	187A	791869	Line-Fuel ----- Note -----
18	696914	Cover-Crankcase	42	499586	Keeper-Valve			791879 Line-Fuel Used on Type No(s). 0349, 0364.
19	698340	Kit-Bushing/Seal (PTO Side)	45	690977	Tapet-Valve			
20	★391086	Seal-Oil (PTO Side)	46	790496	Camshaft	188	690877	Screw (Control Bracket)
21	281658	Cap-Oil Fill	51	●*Δ◆694874	Gasket-Intake	190	692127	Screw (Fuel Tank)
22	695174	Screw (Crankcase Cover/Sump)	51A	●*Δ◆694875	Gasket-Intake	192	690083	Adjuster-Rocker Arm
23	695485	Flywheel	53B	696753	Stud (Carburetor)	209	695491	Spring-Governor
24	222698	Key-Flywheel	55A	696710	Housing-Rewind Starter	219	693578	Gear-Governor
25	792117	Piston Assembly (Standard)	58	693389	Rope-Starter (Cut To Required Length)	220	691724	Washer (Governor Gear)
		----- Note -----	60A	695740	Grip-Starter Rope	222A	694866	Bracket-Control
		792144 Piston Assembly (.020" Oversize)	65	695453	Screw (Rewind Starter)	227	694864	Lever-Governor Control
26	792026	Ring Set (Standard) (Used After Code Date 05081000)	78	695724	Screw (Flywheel Guard)	265	691024	Clamp-Casing
		----- Note -----	95A	690718	Screw (Throttle Valve)	267	692577	Screw (Casing Clamp)
		694004 Ring Set (Standard) (Used Before Code Date 05081100)	97A	696387	Shaft-Throttle	268	691025	Casing-Control Wire (Cut To Required Length)
		792073 Ring Set (.020" Oversize) (Used After Code Date 05081000)	98A	●695408	Kit-Idle Speed	269	691026	Wire-Control (Cut To Required Length)
		694008 Ring Set (.020" Oversize) (Used Before Code Date 05081100)	104A	●694918	Pin-Float Hinge	270	691027	Nut (Control Wire Casing)
			105A	●696136	Valve-Float Needle	271	691028	Lever-Control
			108C	696736	Valve-Choke	278	792008	Washer (Governor Control Lever)
			109E	696735	Shaft-Choke	281	697268	Panel-Control
			117	●696134	Jet-Main (Standard)	287	691693	Screw (Dipstick Tube)
			118	696135	Jet-Main (High Altitude)			
			121A	696146	Kit-Carburetor Overhaul (Nikki Carburetor)			

★ Included in Engine Gasket Set-Ref. No.358.

● Included in Carburetor Overhaul Kit-Ref. No. 121.

◆ Included in Carburetor Gasket Set-Ref. No. 977.

Δ Included in Valve Gasket Set-Ref. No 1095.

Illustrations cover a range of engines. Parts shown without corresponding text may not be used on your specific engine.

20E100

REF. NO.	PART NO.	DESCRIPTION	REF. NO.	PART NO.	DESCRIPTION	REF. NO.	PART NO.	DESCRIPTION
300A	699211	Muffler	528	696751	Hose-Primer	725	696756	Shield-Heat
300B	699222	Muffler	529	791822	Grommet	727	697465	Cover-Starter Drive
		Used on Type No(s). 0349, 0364.	552	694674	Bushing-Governor Crank	731B	790470	Hood-Snow
304	791479	Housing-Blower	562	691119	Bolt	731C	790454	Hood-Snow
305	691108	Screw			(Governor Control Lever)	732	691097	Screw
306	697240	Shield-Cylinder	564	790282	Screw	741	691288	Gear-Timing
307	691660	Screw			(Control Cover)	742	692564	Retainer-E Ring
		(Cylinder Shield)	578	790481	Wire Assembly	746	694679	Gear-Idler
309	698136	Motor-Starter	592	690800	Nut	773	694258	Retainer
332	694685	Nut			(Rewind Starter)	798	697890	Screw
		(Flywheel)	597	691696	Screw			(Rocker Arm)
333	715231	Armature-Magneto			(Pawl Friction Plate)	832	699223	Guard-Muffler
334	691061	Screw	601	95162	Clamp-Hose			Used on Type No(s). 0349, 0364.
		(Magneto Armature)	604A	696758	Cover-Control	836	691003	Screw
337	491055	Plug-Spark	604B	790473	Cover-Control			(Muffler Guard)
		----- Note -----	608A	699335	Starter-Rewind	847	790476	Dipstick/Tube
		691043 Plug-Spark	613	695312	Screw			Assembly
		Used on Type No(s). 0349, 0364.			(Muffler)	853	790455	Adapter-Wire
356	692603	Wire-Stop			(1/4" Diameter)	868	690968	Seal-Valve
358	695438	Gasket Set-Engine			----- Note -----	877	393456	Wire/Connector-
363	19203	Puller-Flywheel			691003 Screw			Alternator
369	695422	Spring-Float Bowl	613B	696705	(Muffler)			Used on Type No(s). 0349, 0364.
383	19374	Wrench-Spark Plug			Screw	878	710417	Harness-Alternator
415	691363	Plug	615	694676	Retainer-Governor Shaft			Used on Type No(s). 0349, 0364.
455	697226	Cup-Flywheel	616	694675	Crank-Governor	883	695398	Gasket-Exhaust
456	692299	Plate-Pawl Friction	621	698338	Switch-Stop	914	693732	Screw
459	281505	Pawl-Ratchet	632	695917	Spring/Link-			(Rocker Cover)
472	790472	Knob-Choke Shaft			Mechanical Governor	930	696709	Guard-Rewind
474	694457	Alternator			(Use With Nikki Carburetor)	957A	694261	Cap-Fuel Tank
		Used on Type No(s). 0349.	633B	◆◆690998	Seal-Choke/Throttle Shaft			(Plastic)
474H	698230	Alternator			Shaft	958	698180	Valve-Fuel Shut Off
		Used on Type No(s). 0364.	635	710901	Boot-Spark Plug			(Plastic)
505	691251	Nut			(Alternator)	972A	694260	Tank-Fuel
		(Governor Control Lever)	689	691855	Spring-Friction			(Plastic)
514	696692	Nut	697	698113	Screw	975A	696138	Bowl-Float
		(Casing Clamp)			(Drive Cap)	976	695750	Primer-Carburetor
523	790477	Dipstick	718	690959	Pin-Locating	977A	◆696147	Gasket Set-Carburetor
524	691876	Seal-Dipstick Tube			(Cylinder)			(Use With Nikki Carburetor)
525	790478	Tube-Dipstick	718A	695178	Pin-Locating	998A	696683	Pipe-Oil
					(Head)			

★ Included in Engine Gasket Set-Ref. No.358.

● Included in Carburetor Overhaul Kit-Ref. No. 121.

◆ Included in Carburetor Gasket Set-Ref. No. 977.

△ Included in Valve Gasket Set-Ref. No.1095.

Illustrations cover a range of engines. Parts shown without corresponding text may not be used on your specific engine.

3402-10

Assemblies include all parts shown in frames.

09/28/2005

20E100

REF. NO.	PART NO.	DESCRIPTION	REF. NO.	PART NO.	DESCRIPTION	REF. NO.	PART NO.	DESCRIPTION
1005	694684	Fan-Flywheel	1095	695440	Gasket Set-Valve	1211	498144	Pulley/Spring Assembly
1019	790459	Kit-Label	1100	690973	Pivot-Rocker Arm			(Spring)
1022	★△690971	Gasket-Rocker Cover	1119	691183	Screw (Alternator)	1230	696747	Stud (Control Bracket)
1023A	698042	Cover-Rocker	1127A	695407	Screw (Float Bowl)	1251	282921	Shield-Snow
1026	695177	Rod-Push	1171	696754	Stud (Rocker Cover)	1251A	696762	Shield-Snow
1029	690972	Arm-Rocker	1194	691876	Seal-O Ring (Plug)	1252	691108	Screw (Snow Shield)
1036		Label-Emissions (Available from an Authorized Briggs & Stratton Dealer)	1196	696692	Screw (Snow Hood)	1288	698111	Nut (Snow Hood)
1058	276355	Operator's Manual	1210	498144	Pulley/Spring Assembly (Pulley)	1318	698111	Knob-Snow Hood
1070	691058	Screw (Flywheel Fan)				1351	790017	Stud (Cylinder Shield)
						1352	790026	Nut (Spark Plug Shield)

★ Included in Engine Gasket Set-Ref. No.358.

● Included in Carburetor Overhaul Kit-Ref. No. 121.

◆ Included in Carburetor Gasket Set-Ref. No. 977.

△ Included in Valve Gasket Set-Ref. No 1095.

Illustrations cover a range of engines. Parts shown without corresponding text may not be used on your specific engine.