



Illustrated Parts List

Model Series

20D400

TYPE NUMBERS
0017 through 0112.

TABLE OF CONTENTS

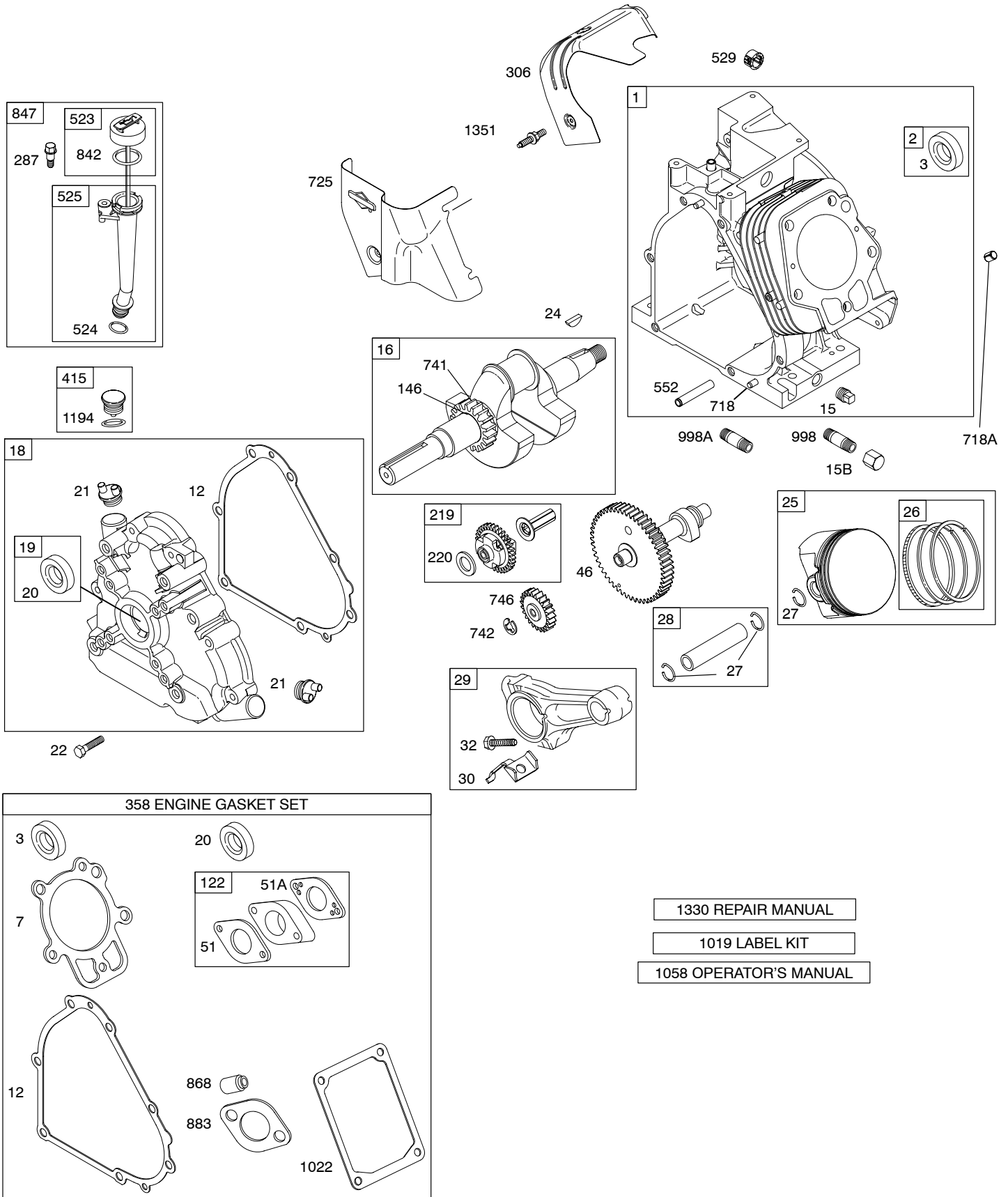
Air Cleaner	4
Alternator	7
Blower Housing/Shrouds	5
Camshaft	2
Carburetor	4
Controls	6
Crankcase Cover	2
Crankshaft	2
Cylinder	2
Cylinder Head	3
Electric Starter	7
Exhaust System	4
Flywheel	5
Fuel Supply	7
Governor Spring	6
Ignition	7
Kit/Gasket Sets - Carburetor	4
Kit/Gasket Sets - Engine	2
Kit/Gasket Sets - Valves	3
Lubrication	2
Piston,Rings, Connecting Rod	2
Rewind Starter	5
Valves	3



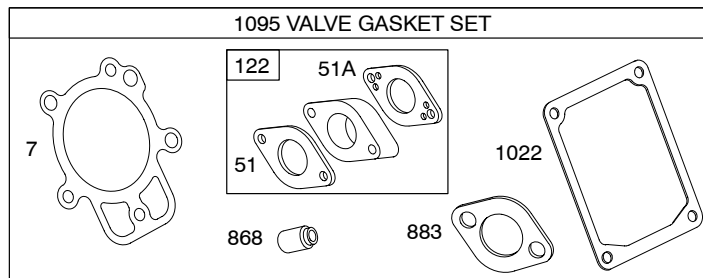
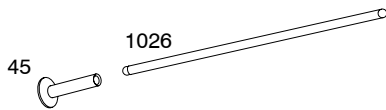
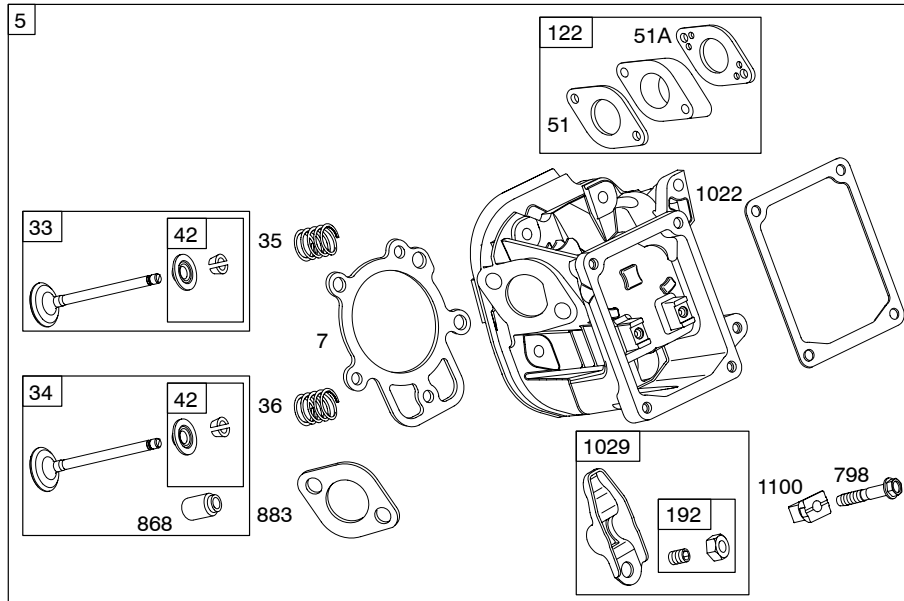
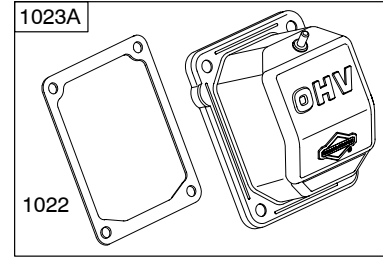
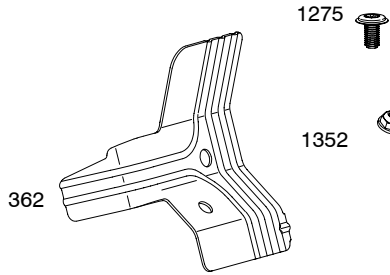
PRINTED IN U.S.A.

COPYRIGHT by BRIGGS & STRATTON CORPORATION
All rights reserved. No part of this material may be reproduced or transmitted, in any form or by any means, electronic or mechanical, including photocopying, recording or by any information storage and retrieval system, without permission in writing from Briggs & Stratton Corporation.

20D400

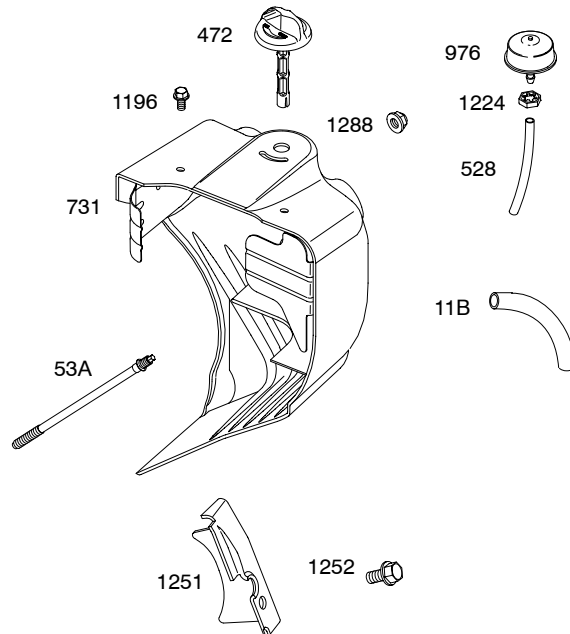
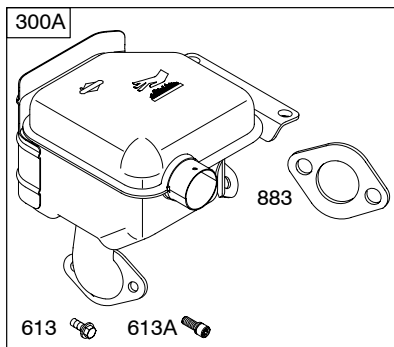
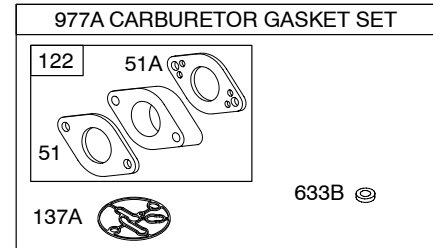
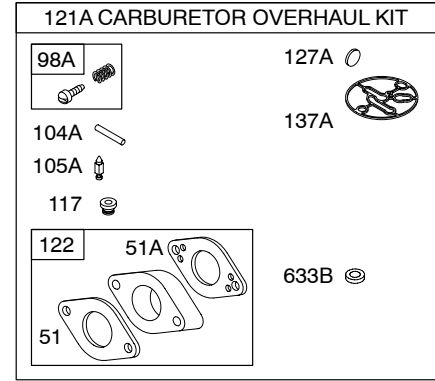
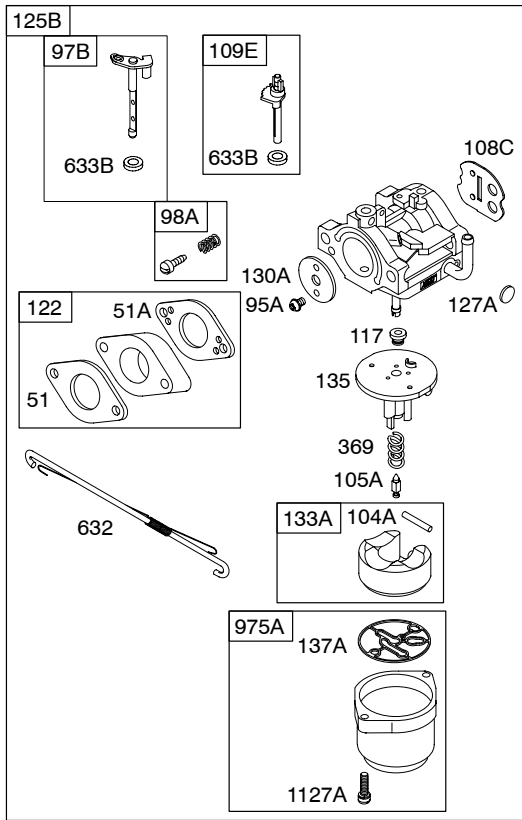


Illustrations cover a range of engines. Parts shown without corresponding text are not used on this engine.
 6764-2 Assemblies include all parts shown in frames. 09/27/2005



Illustrations cover a range of engines. Parts shown without corresponding text are not used on this engine.

20D400



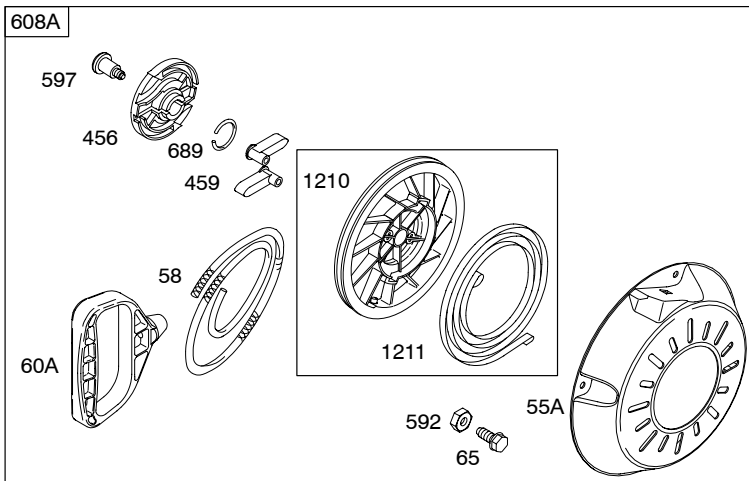
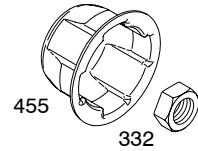
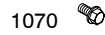
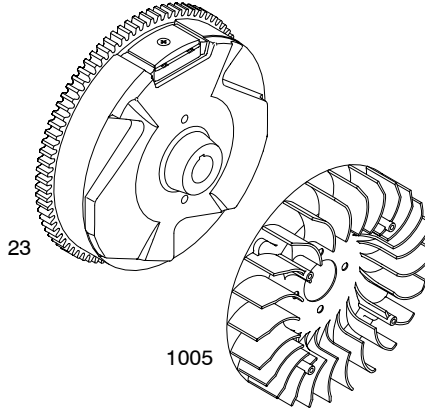
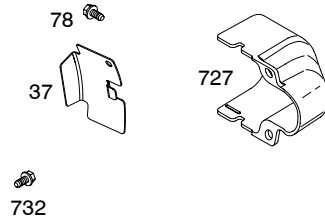
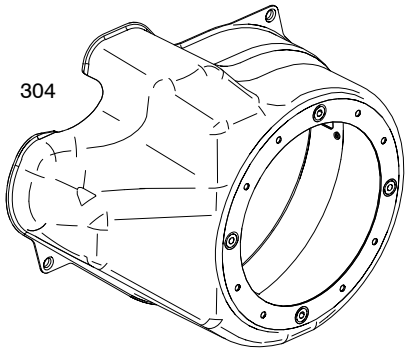
Illustrations cover a range of engines. Parts shown without corresponding text are not used on this engine.

6764-4

Assemblies include all parts shown in frames.

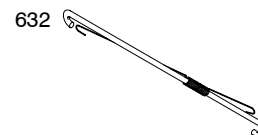
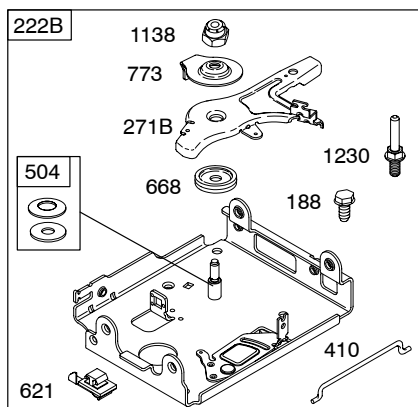
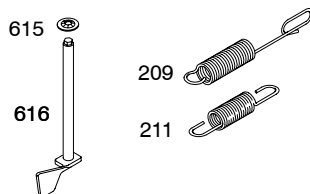
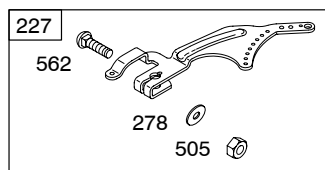
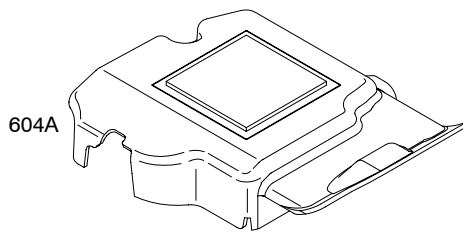
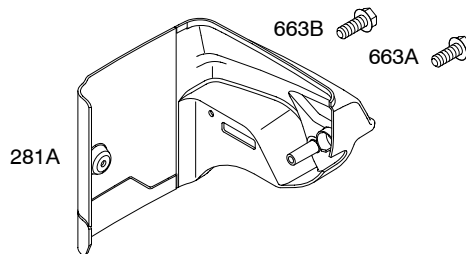
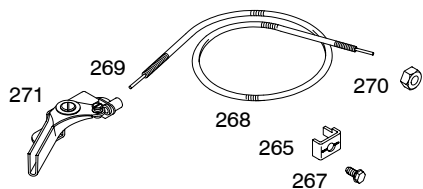
09/27/2005

1036 EMISSION LABEL

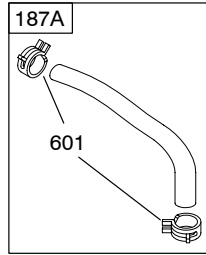
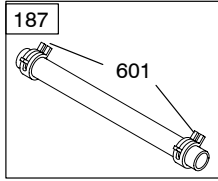
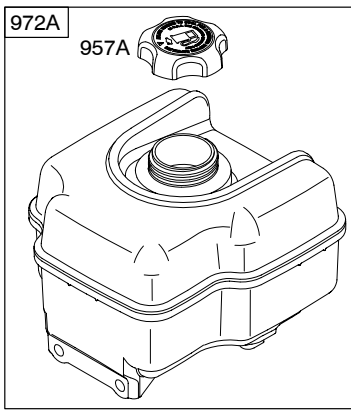


6764-5 *Illustrations cover a range of engines. Parts shown without corresponding text are not used on this engine.* Assemblies include all parts shown in frames. 09/27/2005


20D400



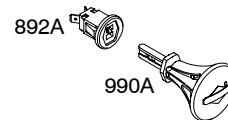
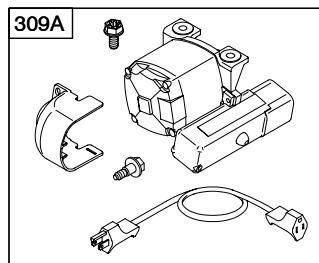
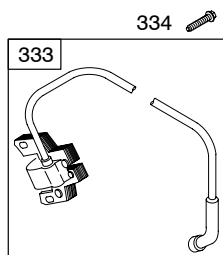
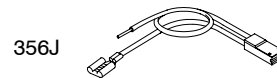
6764-6 *Illustrations cover a range of engines. Parts shown without corresponding text are not used on this engine.* Assemblies include all parts shown in frames. 09/27/2005



DC ONLY	DUAL CIRCUIT

NOTE: All stators use a No. 1119 mounting screw. 

NOTE: The proper flywheel part number and/or the alternator magnet size will determine the alternator type or output. See repair instruction manual for additional information.



Illustrations cover a range of engines. Parts shown without corresponding text are not used on this engine.
 6764-7 Assemblies include all parts shown in frames. 09/27/2005

20D400

REF. NO.	PART NO.	DESCRIPTION	REF. NO.	PART NO.	DESCRIPTION	REF. NO.	PART NO.	DESCRIPTION
1	696772	Cylinder Assembly	26	792026	Ring Set (Standard) (Used After Code Date 05081000)	55A	696710	Housing-Rewind Starter
2	698340	Kit-Bushing/Seal (Magneto Side)				58	693389	Rope-Starter (Cut to Required Length)
3	★391086	Seal-Oil (Magneto Side)						
5	697233	Head-Cylinder (Used After Code Date 01102800). ----- Note ----- 698040 Head-Cylinder (Used Before Code Date 01102900).				60A	695740	Grip-Starter Rope
7	★△694872	Gasket-Cylinder Head				65	695453	Screw (Rewind Starter)
11B	696750	Tube-Breather				78	695724	Screw (Flywheel Guard) Used on Type No(s). 0100.
12	★694953	Gasket-Crankcase				95A	690718	Screw (Throttle Valve)
13	690360	Screw (Cylinder Head)				97B	696387	Shaft-Throttle
15	691686	Plug-Oil Drain				98A	●695408	Kit-Idle Speed
15B	695757	Plug-Oil Drain	27	690975	Lock-Piston Pin	104A	●694918	Pin-Float Hinge
16	695369	Crankshaft ----- Note ----- 695462 Crankshaft Used on Type No(s). 0017, 0111.	28	690229	Pin-Piston	105A	●696136	Valve-Float Needle
18	696914	Cover-Crankcase	29	694691	Rod-Connecting	108C	696736	Valve-Choke
19	698340	Kit-Bushing/Seal (PTO Side)	30	694692	Dipper-Connecting Rod	109E	696735	Shaft-Choke
20	★391086	Seal-Oil (PTO Side)	32	690976	Screw (Connecting Rod)	117	●696134	Jet-Main (Standard)
21	281658	Cap-Oil Fill	33	499596	Valve-Exhaust	118	696135	Jet-Main (High Altitude)
22	695174	Screw (Crankcase Cover/Sump)	34	697464	Valve-Intake	121A	696146	Kit-Carburetor Overhaul (Nikki Carburetor)
23	695485	Flywheel	35	694865	Spring-Valve (Intake)	122★△◆694876		Spacer-Carburetor
24	222698	Key-Flywheel	36	694865	Spring-Valve (Exhaust)	125B	696737	Carburetor
25	792117	Piston Assembly (Standard) ----- Note ----- 792144 Piston Assembly (.020" Oversize)	37	699047	Guard-Flywheel Used on Type No(s). 0100.	127A	●690727	Plug-Welch
			42	499586	Keeper-Valve	130A	696139	Valve-Throttle
			45	690977	Tappet-Valve	133A	694914	Float-Carburetor
			46	790958	Camshaft	135	696142	Tube-Fuel Transfer
			51★△◆694874	Gasket-Intake	137A	◆695426	Gasket-Float Bowl	
			51A★△◆694875	Gasket-Intake	146	690979	Key-Timing	
			53A	696753	Stud (Carburetor)	187	691050	Line-Fuel (Cut to Required Length)
					187A	695429	Line-Fuel	
					188	690877	Screw (Control Bracket)	
					190	692127	Screw (Fuel Tank)	
					192	690083	Adjuster-Rocker Arm	
					209	694867	Spring-Governor	
					211	695307	Spring-Governor Idle	
					219	693578	Gear-Governor	
					220	691724	Washer (Governor Gear)	
					222B	698034	Bracket-Control	
					227	694864	Lever-Governor Control	

★ Included in Engine Gasket Set-Ref. No.358.

● Included in Carburetor Overhaul Kit-Ref. No. 121 & 121A.

◆ Included in Carburetor Gasket Set-Ref. No. 977 & 977A.

△ Included in Valve Gasket Set-Ref. No 1095.

Illustrations cover a range of engines. Parts shown without corresponding text are not used on this engine.

6764-8

Assemblies include all parts shown in frames.

09/27/2005

20D400

REF. NO.	PART NO.	DESCRIPTION	REF. NO.	PART NO.	DESCRIPTION	REF. NO.	PART NO.	DESCRIPTION
265	691024	Clamp-Casing	306	697240	Shield-Cylinder (Used After Code Date 01102800).	505	691251	Nut (Governor Control Lever)
267	692577	Screw (Casing Clamp)				523	695344	Dipstick
268	691025	Casing-Control Wire (Cut to Required Length)			----- Note -----	524	691876	Seal-O Ring (Dipstick Tube)
269	691026	Wire-Control (Cut to Required Length)			694677 Shield-Cylinder (Used Before Code Date 01102900).	525	695343	Tube-Dipstick
270	691027	Nut (Control Wire Casing)	307	691660	Screw (Cylinder Shield)	528	696751	Hose-Primer
271	696697	Lever-Control	309A	696611	Motor-Starter	529	791822	Grommet
271B	698035	Lever-Control	332	694685	Nut (Flywheel)	552	694674	Bushing-Governor Crank
278	792008	Washer (Governor Control Lever)	333	715231	Armature-Magneto	562	691119	Bolt (Governor Control Lever)
281A	697400	Panel-Control (Used After Code Date 01102800). ----- Note ----- 696703 Panel-Control (Used Before Code Date 01102900).	334	691061	Screw (Magneto Armature)	592	690800	Nut (Rewind Starter)
287	691693	Screw (Dipstick/Tube)	337	491055	Plug-Spark	597	691696	Screw (Pawl Friction Plate)
300A	699211	Muffler	356G	696748	Wire-Stop	601	95162	Clamp-Hose
304	697469	Housing-Blower (Used After Code Date 01102800). ----- Note ----- 696476 Housing-Blower (Used Before Code Date 01102900).	356J	696700	Wire-Stop	604A	696758	Cover-Control
305	691108	Screw (Blower Housing)	358	695438	Gasket Set-Engine	608A	699335	Starter-Rewind
			362	698041	Shield-Spark Plug	613	695312	Screw (Muffler)
			369	695422	Spring-Float Bowl	613B	696705	Screw (Muffler)
			383	19374	Wrench-Spark Plug	615	694676	Retainer-Governor Shaft
			410	695382	Link-Control	616	694675	Crank-Governor
			415	691363	Plug	621	692310	Switch-Stop
			455	697226	Cup-Flywheel	632	695917	Link-Throttle (Used With Nikki Carburetor)
			456	692299	Plate-Pawl Friction	633B ♦◆690998	Seal-Choke/Throttle Shaft	
			459	281505	Pawl-Ratchet	635	710901	Boot-Spark Plug (Alternator)
			472	696752	Knob-Choke Shaft	663A	696685	Screw (Control Panel)
			474A	695730	Alternator (3 Amps DC) (Used Before Code Date 01051400). Used on Type No(s). 0017.	663B	696704	Screw (Control Panel)
			474B	696742	Alternator (Dual Circuit) (Used After Code Date 01051300). Used on Type No(s). 0017.	668	694257	Spacer (Control Bracket)
			485	695755	Knob-Control	689	691855	Spring-Friction
			504	695383	Washer Set-Friction	697	698113	Screw (Drive Cap)

★ Included in Engine Gasket Set-Ref. No.358.

● Included in Carburetor Overhaul Kit-Ref. No. 121 & 121A.

◆ Included in Carburetor Gasket Set-Ref. No. 977 & 977A.

△ Included in Valve Gasket Set-Ref. No 1095.

Illustrations cover a range of engines. Parts shown without corresponding text are not used on this engine.

20D400

REF. NO.	PART NO.	DESCRIPTION	REF. NO.	PART NO.	DESCRIPTION	REF. NO.	PART NO.	DESCRIPTION
718	690959	Pin-Locating (Cylinder)	976	790221	Primer-Carburetor (Used After Code Date 04061500).	1127A	695407	Screw (Float Bowl)
718A	695178	Pin-Locating (Head)			----- Note -----	1138	694255	Nut (Control Bracket)
725	696756	Shield-Heat			695750 Primer-Carburetor	1171	696754	Stud (Rocker Cover)
727	697465	Cover-Starter Drive			(Used Before Code Date 04061600).	1194	691876	Seal-O Ring (Plug)
731	790222	Hood-Snow (Used After Code Date 01102800).	977A	◆696147	Gasket Set-Carburetor (Used With Nikki Carburetor)	1196	699166	Screw (Snow Hood) (Used After Code Date 03041300).
		----- Note -----						----- Note -----
		696755 Hood-Snow (Used Before Code Date 01102900).	990A	695756	Key Set			696685 Screw (Snow Hood) (Used Before Code Date 03041400).
732	691097	Screw (Starter Drive Cover)	998	695758	Plug-Oil Used on Type No(s). 0111.			
741	691288	Gear-Timing	998A	696683	Pipe-Oil Used on Type No(s). 0112.	1210	498144	Pulley/Spring Assembly (Pulley)
742	692564	Retainer-E Ring	1005	694684	Fan-Flywheel	1211	498144	Pulley/Spring Assembly (Spring)
746	694679	Gear-Idler	1019	695751	Kit-Label	1224	696824	Nut (Carburetor Primer)
773	694258	Retainer	1022	★△690971	Gasket-Rocker Cover	1230	696747	Stud (Control Bracket)
798	697890	Screw (Rocker Arm)	1023A	698042	Cover-Rocker Arm	1251	696762	Shield-Snow
842	691031	Seal-O Ring (Dipstick Tube)	1026	695177	Rod-Push	1252	691108	Screw (Snow Shield)
847	695342	Dipstick/Tube Assembly	1029	690972	Arm-Rocker	1275	693732	Screw (Rocker Cover)
868	★△690968	Seal-Valve	1036		Label-Emissions (Available from an Authorized Briggs & Stratton Service Dealer)	1288	696757	Nut (Snow Hood)
877	393456	Wire/Connector-Alternator	1058	275697	Operator's Manual	1330	272147	Repair Manual
883	★△695398	Gasket-Exhaust	1070	691058	Screw (Flywheel Fan)	1351	790017	Stud (Cylinder Shield)
892A	★△696749	Switch-Key	1095	695440	Gasket Set-Valve	1352	790026	Nut (Spark Plug Shield)
914	693732	Screw (Rocker Cover)	1100	690973	Pivot-Rocker Arm			
930	696709	Guard-Rewind	1119	691183	Screw (Alternator)			
957A	694261	Cap-Fuel Tank (Plastic)						
958	698180	Valve-Fuel Shut Off (Plastic)						
972A	694260	Tank-Fuel (Plastic)						
975A	696138	Bowl-Float						

★ Included in Engine Gasket Set-Ref. No.358.

● Included in Carburetor Overhaul Kit-Ref. No. 121 & 121A.

◆ Included in Carburetor Gasket Set-Ref. No. 977 & 977A.

△ Included in Valve Gasket Set-Ref. No 1095.

Illustrations cover a range of engines. Parts shown without corresponding text are not used on this engine.

6764-10

Assemblies include all parts shown in frames.

09/27/2005