



Illustrated Parts List

Model Series

20C100

TYPE NUMBERS
0100 Through 0274.

TABLE OF CONTENTS

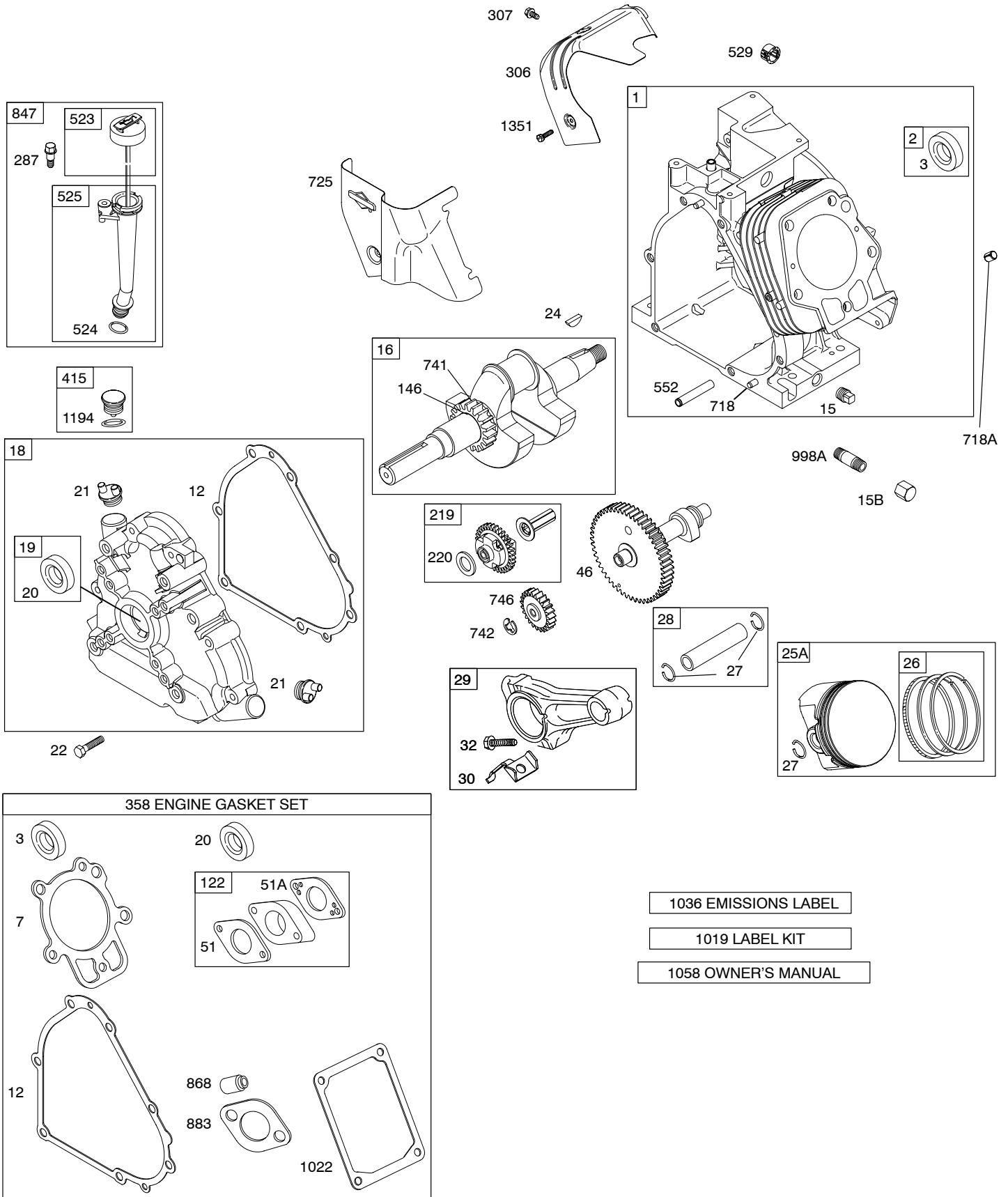
Air Cleaner	5
Alternator	8
Blower Housing/Shrouds	6
Camshaft	2
Carburetor	4
Controls	7
Crankcase Cover	2
Crankshaft	2
Cylinder	2
Cylinder Head	3
Electric Starter	8
Exhaust System	5
Flywheel	6
Fuel Supply	8
Governor Spring	7
Ignition	8
Kit/Gasket Set - Carburetor	4
Kit/Gasket Set - Engine	2
Kit/Gasket Set - Valves	3
Lubrication	2
Piston, Rings, Connecting Rod	2
Rewind Starter	6
Valves	3



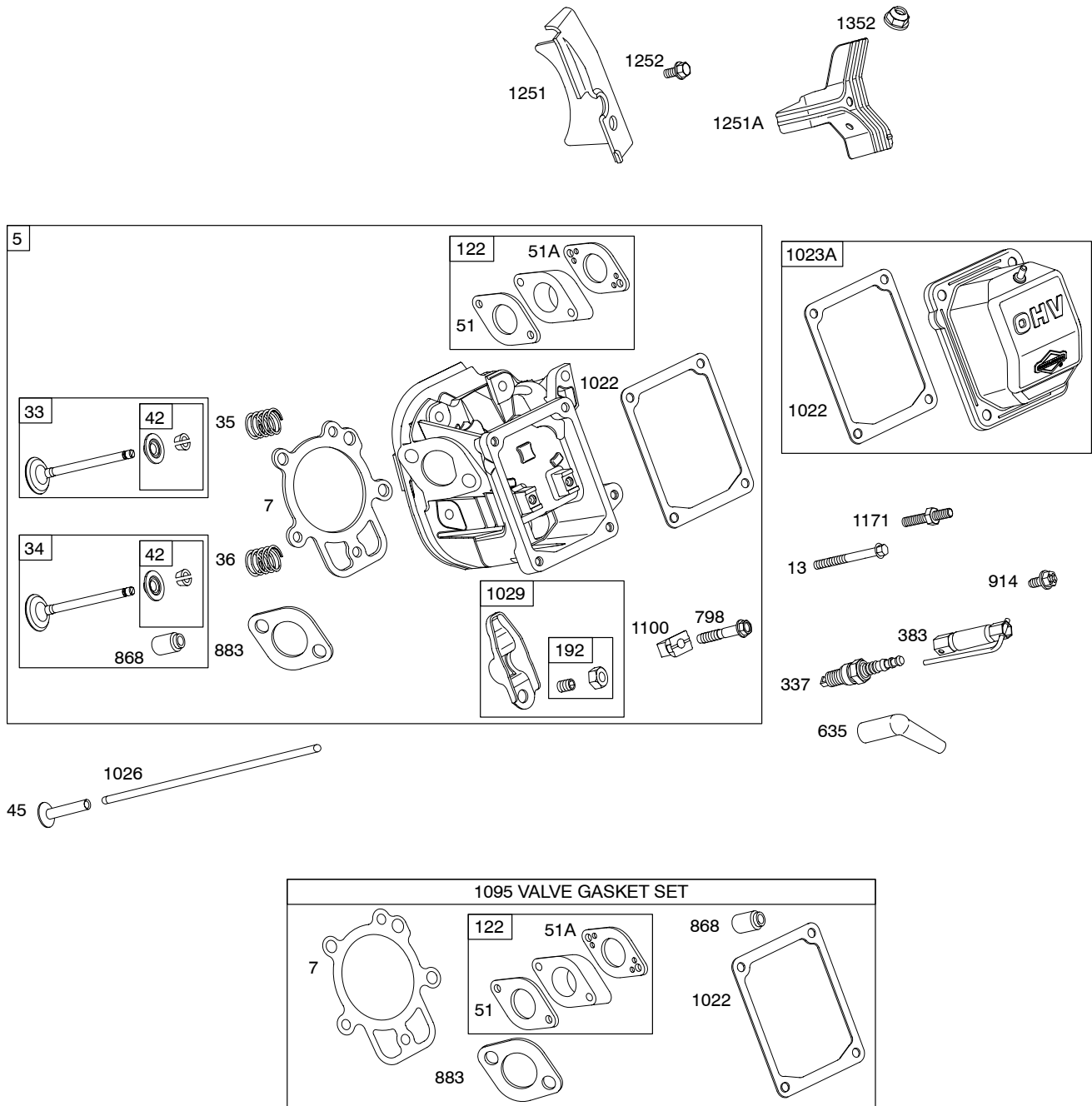
PRINTED IN U.S.A.

COPYRIGHT by BRIGGS & STRATTON CORPORATION
All rights reserved. No part of this material may be reproduced or transmitted, in any form or by any means, electronic or mechanical, including photocopying, recording or by any information storage and retrieval system, without permission in writing from Briggs & Stratton Corporation.

20C100

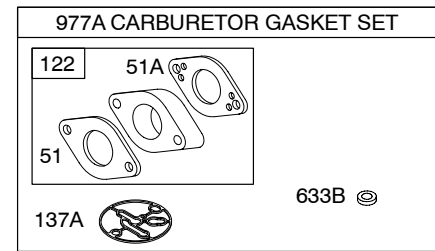
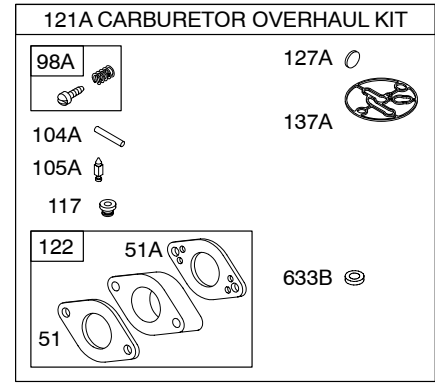
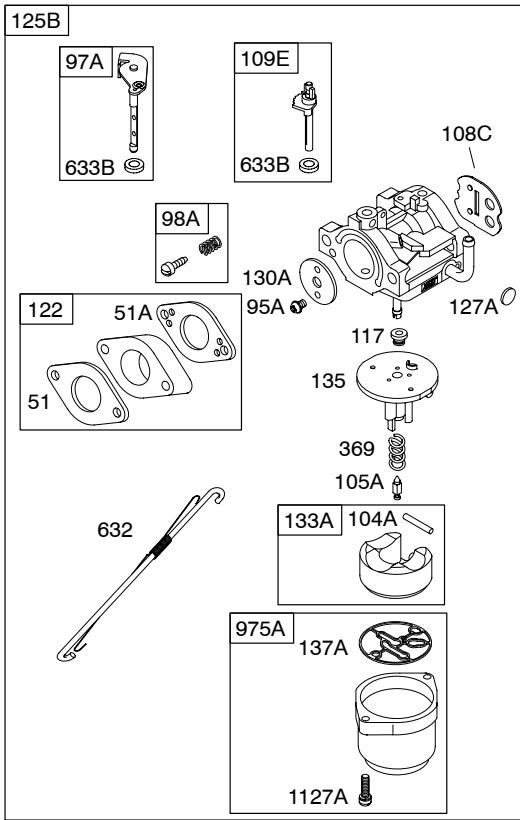


Illustrations cover a range of engines. Parts shown without corresponding text are not used on this engine.
6040-2 Assemblies include all parts shown in frames. **09/30/2005**

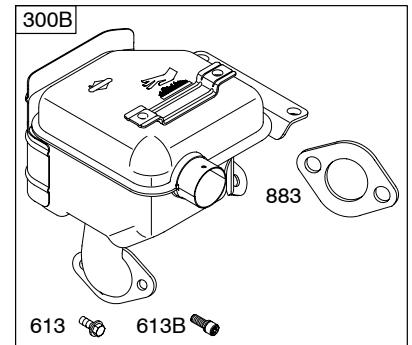
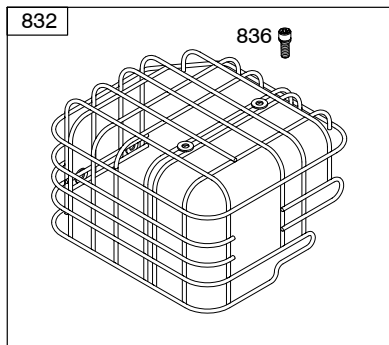
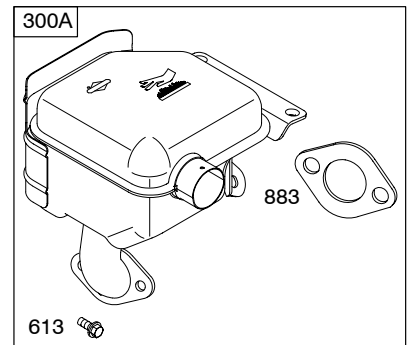
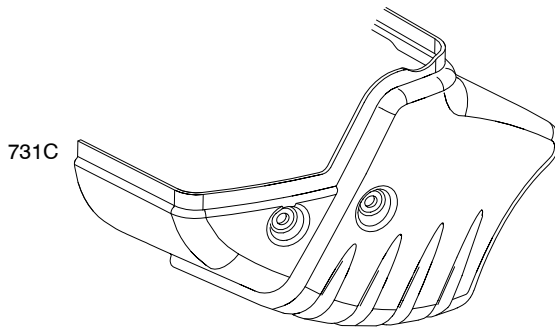
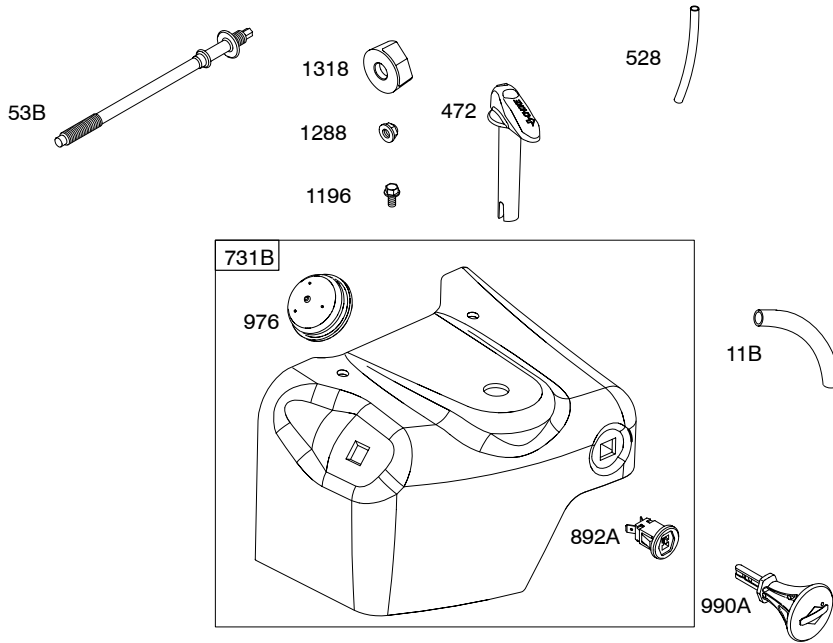


Illustrations cover a range of engines. Parts shown without corresponding text are not used on this engine.

20C100



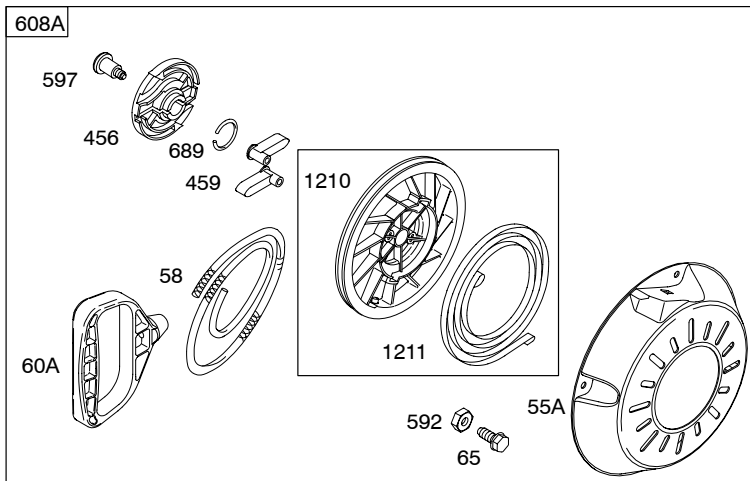
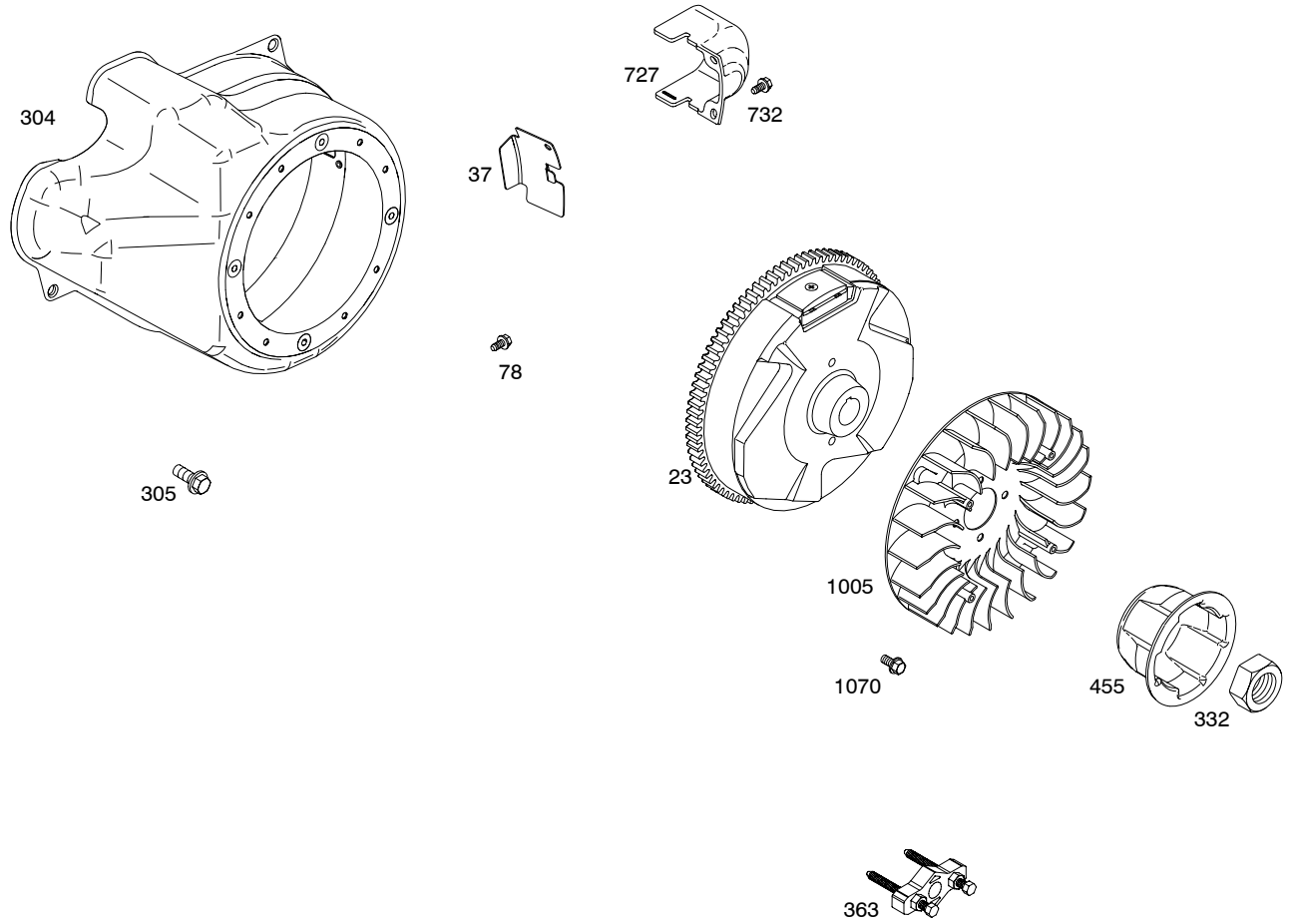
Illustrations cover a range of engines. Parts shown without corresponding text are not used on this engine.
 6040-4 Assemblies include all parts shown in frames. 09/30/2005



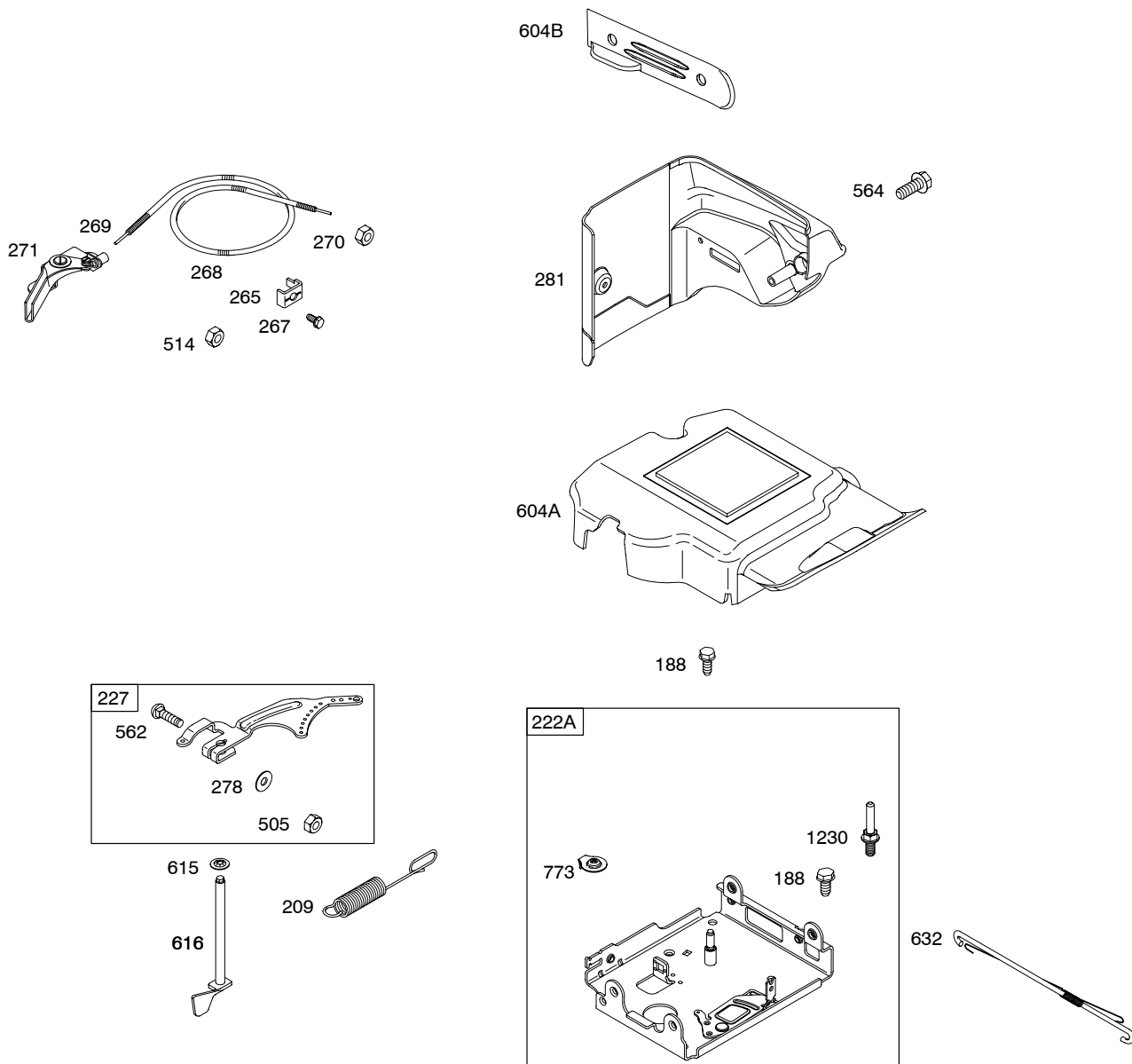
Illustrations cover a range of engines. Parts shown without corresponding text are not used on this engine.
 6040-5 Assemblies include all parts shown in frames. 09/30/2005

20C100

1036 EMISSION LABEL







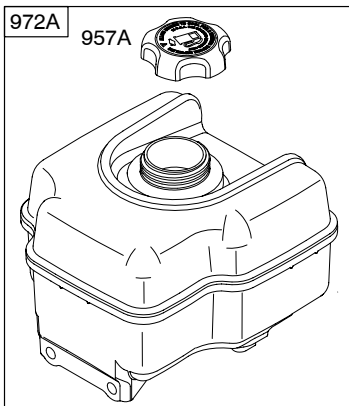
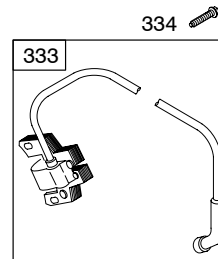
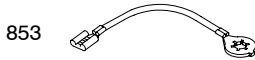
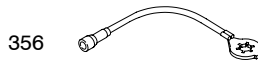
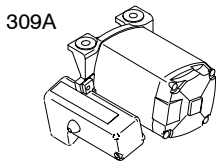
Illustrations cover a range of engines. Parts shown without corresponding text are not used on this engine.
6040-6 Assemblies include all parts shown in frames. 09/30/2005



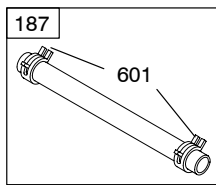
Illustrations cover a range of engines. Parts shown without corresponding text are not used on this engine.
6040-7 Assemblies include all parts shown in frames. **09/30/2005**

20C100

AC ONLY	DUAL CIRCUIT
474 	474B 
<p>NOTE: All stators use a No. 1119 mounting screw. </p> <p>NOTE: The proper flywheel part number and/or the alternator magnet size will determine the alternator type or output. See repair instruction manual for additional information.</p>	
	878 

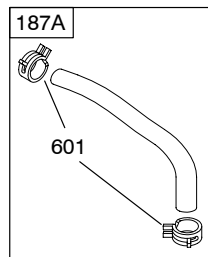


957A



187

601



187A

601



Illustrations cover a range of engines. Parts shown without corresponding text are not used on this engine.
 6040-8 Assemblies include all parts shown in frames. 09/30/2005

20C100

REF. NO.	PART NO.	DESCRIPTION	REF. NO.	PART NO.	DESCRIPTION	REF. NO.	PART NO.	DESCRIPTION
1	695464	Cylinder Assembly ----- Note ----- 697702 Cylinder Assembly Used on Type No(s). 0017, 0254.	25A	792117	Piston Assembly (Standard) ----- Note ----- 792144 Piston Assembly (.020" Oversize)	37	699047	Guard-Flywheel
2	698340	Kit-Bushing/Seal (Magneto Side)	26	792026	Ring Set (Standard) (Used After Code Date 05081000)	42	499586	Keeper-Valve
3	★391086	Seal-Oil (Magneto Side)			----- Note ----- 694004 Ring Set (Used Before Code Date 05081100)	45	690977	Tappet-Valve
5	697233	Head-Cylinder			792073 Ring Set (.020" Oversize) (Used After Code Date 05081000)	46	790958	Camshaft
7	★Δ694872	Gasket-Cylinder Head			694008 Ring Set (.020" Oversize) (Used Before Code Date 05081100)	51★Δ◆694874		Gasket-Intake
11	696750	Tube-Breather				51A★Δ◆694875		Gasket-Intake
12	★694953	Gasket-Crankcase				53B	696753	Stud (Carburetor)
13	690360	Screw (Cylinder Head)				55A	696710	Housing-Rewind Starter
15	691686	Plug-Oil Drain				58	693389	Rope-Starter (Cut To Required Length)
15B	695757	Plug-Oil Drain				60A	695740	Grip-Starter Rope
16	695369	Crankshaft ----- Note ----- 695462 Crankshaft Used on Type No(s). 0007.	27	690975	Lock-Piston Pin	65	697725	Screw (Rewind Starter)
18	696914	Cover-Crankcase	28	690229	Pin-Piston	78	695724	Screw (Flywheel Guard)
19	698340	Kit-Bushing/Seal (PTO Side)	29	694691	Rod-Connecting	95A	690718	Screw (Throttle Valve)
20	★391086	Seal-Oil (PTO Side)	30	694692	Dipper-Connecting Rod	97A	696387	Shaft-Throttle
21	281658	Cap-Oil Fill	32	690976	Screw (Connecting Rod)	98A	◆695408	Kit-Idle Speed
22	695174	Screw (Crankcase-Cover/Sump)	33	499596	Valve-Exhaust	104A	◆694918	Pin-Float Hinge
23	695485	Flywheel	34	697464	Valve-Intake	105A	◆696136	Valve-Float Needle
24	222698	Key-Flywheel	35	694865	Spring-Valve (Intake)	108C	696736	Valve-Choke
			36	694865	Spring-Valve (Exhaust)	109E	696735	Shaft-Choke
						117	◆696134	Jet-Main (Standard)
						118	696135	Jet-Main (High Altitude)
						121A	696146	Kit-Carburetor Overhaul (Nikki Carburetor)
						122★Δ◆694876		Spacer-Carburetor

★ Included in Engine Gasket Set-Ref. No.358.

● Included in Carburetor Overhaul Kit-Ref. No. 121 & 121A.

◆ Included in Carburetor Gasket Set-Ref. No. 977 & 977A.

Δ Included in Valve Gasket Set-Ref. No 1095.

Illustrations cover a range of engines. Parts shown without corresponding text are not used on this engine.

20C100

REF. NO.	PART NO.	DESCRIPTION	REF. NO.	PART NO.	DESCRIPTION	REF. NO.	PART NO.	DESCRIPTION
125B	696737	Carburetor	271	695381	Lever-Control	505	691251	Nut (Governor Control Lever)
127A	●690727	Plug-Welch	281	697268	Panel-Control	523	790477	Dipstick
130A	696139	Valve-Throttle	287	691693	Screw (Dipstick Tube)	524	691876	Seal-O Ring (Dipstick Tube)
133A	694914	Float-Carburetor	278	792008	Washer (Governor Control Lever)	525	790478	Tube-Dipstick
135	696142	Tube-Fuel Transfer	300A	699211	Muffler	528	696751	Hose-Primer
137A	◆695426	Gasket-Float Bowl	300B	699222	Muffler Used on Type No(s). 0270, 0274.	529	791822	Grommet
146	690979	Key-Timing	304	791479	Housing-Blower	552	694674	Bushing-Governor Crank
187	691050	Line-Fuel (Cut to Required Length)	305	691108	Screw (Blower Housing)	562	691119	Bolt (Governor Control Lever)
187A	695429	Line-Fuel	306	697240	Shield-Cylinder	564	790282	Screw (Control Cover)
187B	698080	Line-Fuel Used on Type No(s). 0253.	307	691660	Screw (Cylinder Shield)	578	790481	Wire Assembly
188	690877	Screw (Control Bracket)	309A	698112	Motor-Starter Used on Type No(s). 0017, 0254.	592	690800	Nut (Rewind Starter)
190	692127	Screw (Fuel Tank)	332	694685	Nut (Flywheel)	597	691696	Screw (Friction Plate)
192	690083	Adjuster-Rocker Arm	333	715231	Armature-Magneto	601	95162	Clamp-Hose
209	695491	Spring-Governor	334	691061	Screw (Magneto Armature)	604A	696758	Cover-Control
219	693578	Gear-Governor	337	491055	Plug-Spark	604B	790473	Cover-Control
220	691724	Washer (Governor Gear)	356	692603	Wire-Stop	608A	699335	Starter-Rewind
222A	694866	Bracket-Control	358	695438	Gasket Set-Engine	613	695312	Screw (Muffler)
227	694864	Lever-Governor Control	363	19203	Puller-Flywheel	----- Note -----		
265	691024	Clamp-Casing	369	695422	Spring-Float Bowl	691003 Screw (Muffler)		
267	692577	Screw (Casing Clamp)	383	19374	Wrench-Spark Plug	613B	696705	Screw (Muffler)
268	691025	Casing-Control Wire (Cut to Required Length)	415	691363	Plug			
269	691026	Wire-Control (Cut to Required Length)	455	697226	Cup-Flywheel			
270	691027	Nut (Control Wire Casing)	456	692299	Plate-Pawl Friction			
			459	281505	Pawl-Ratchet			
			472	790472	Knob-Choke Shaft			
			474	694457	Alternator			
			474B	696742	Alternator Used on Type No(s). 0274.			

★ Included in Engine Gasket Set-Ref. No.358.

● Included in Carburetor Overhaul Kit-Ref. No. 121 & 121A.

◆ Included in Carburetor Gasket Set-Ref. No. 977 & 977A.

△ Included in Valve Gasket Set-Ref. No 1095.

Illustrations cover a range of engines. Parts shown without corresponding text are not used on this engine.

20C100

REF. NO.	PART NO.	DESCRIPTION	REF. NO.	PART NO.	DESCRIPTION	REF. NO.	PART NO.	DESCRIPTION
615	694676	Retainer-Governor Shaft	853	790455	Adapter-Wire	1058	275697	Owner's Manual
616	694675	Crank-Governor	868	★△690968	Seal-Valve	1070	691058	Screw (Flywheel Fan)
621	698338	Switch-Stop	877	393456	Wire/Connector-Alternator	1095	695440	Gasket Set-Valve
632	695917	Link-Throttle (Used With Nikki Carburetor)	878	710417	Harness-Alternator	1100	690973	Pivot-Rocker Arm
633B ●◆690998		Seal-Choke/Throttle Shaft	883	695398	Gasket-Exhaust	1119	691183	Screw (Alternator)
635	710901	Boot-Spark Plug	892A	696749	Switch-Key	1127A	695407	Screw (Rocker Cover) (Float Bowl) (Control Bracket)
689	691855	Spring-Friction	914	693732	Screw (Rocker Cover)	1171	696754	Stud (Rocker Cover)
697	698113	Screw (Drive Cap)	930	696709	Guard-Rewind	1194	691876	Seal-O Ring (Plug)
718	690959	Pin-Locating (Cylinder)	957A	694261	Cap-Fuel Tank (Plastic)	1196	696685	Screw (Snow Hood)
718A	695178	Pin-Locating (Head)	958	698180	Valve-Fuel Shut Off (Plastic)	1210	498144	Pulley/Spring Assembly (Pulley)
725	696756	Shield-Heat	972A	694260	Tank-Fuel (Plastic)	1211	498144	Pulley/Spring Assembly (Spring)
727A	697465	Cover-Starter Drive	975A	696138	Bowl-Float	1230	696747	Stud (Control Bracket)
731B	790454	Hood-Snow	976	695750	Primer-Carburetor	1251	696762	Shield-Snow
731C	790470	Hood-Snow	977A	◆696147	Gasket Set-Carburetor (Used With Nikki Carburetor)	1251A	790471	Shield-Snow
732	691097	Screw (Starter Drive Cover)	990A	695756	Key Switch	1252	691108	Screw (Snow Shield)
741	691288	Gear-Timing	998A	696683	Gasket Set-Carburetor	1288	696757	Nut (Snow Hood)
742	692564	Retainer-E Ring	1005	694684	Fan-Flywheel	1318	698111	Knob-Snow Hood
746	694679	Gear-Idler	1019	790459	Kit-Label	1351	790017	Screw (Cylinder Shield)
773	694258	Retainer	1022	★△690971	Gasket-Rocker Cover	1352	790026	Nut (Spark Plug Shield)
798	697890	Screw (Rocker Arm)	1023A	698042	Cover-Rocker Arm			
832	699223	Guard-Muffler Used on Type No(s). 0270, 0274.	1026	695177	Rod-Push			
836	691003	Screw (Muffler Guard)	1029	690972	Arm-Rocker Label-Emission (Available from an Authorized Briggs & Stratton Service Dealer)			
847	790476	Dipstick/Tube Assembly	1036					

★ Included in Engine Gasket Set-Ref. No.358.

● Included in Carburetor Overhaul Kit-Ref. No. 121 & 121A.

◆ Included in Carburetor Gasket Set-Ref. No. 977 & 977A.

△ Included in Valve Gasket Set-Ref. No 1095.

Illustrations cover a range of engines. Parts shown without corresponding text are not used on this engine.