



# Illustrated Parts List

## Model Series

# 20B400

TYPE NUMBERS  
0017 Through 0369.

### TABLE OF CONTENTS

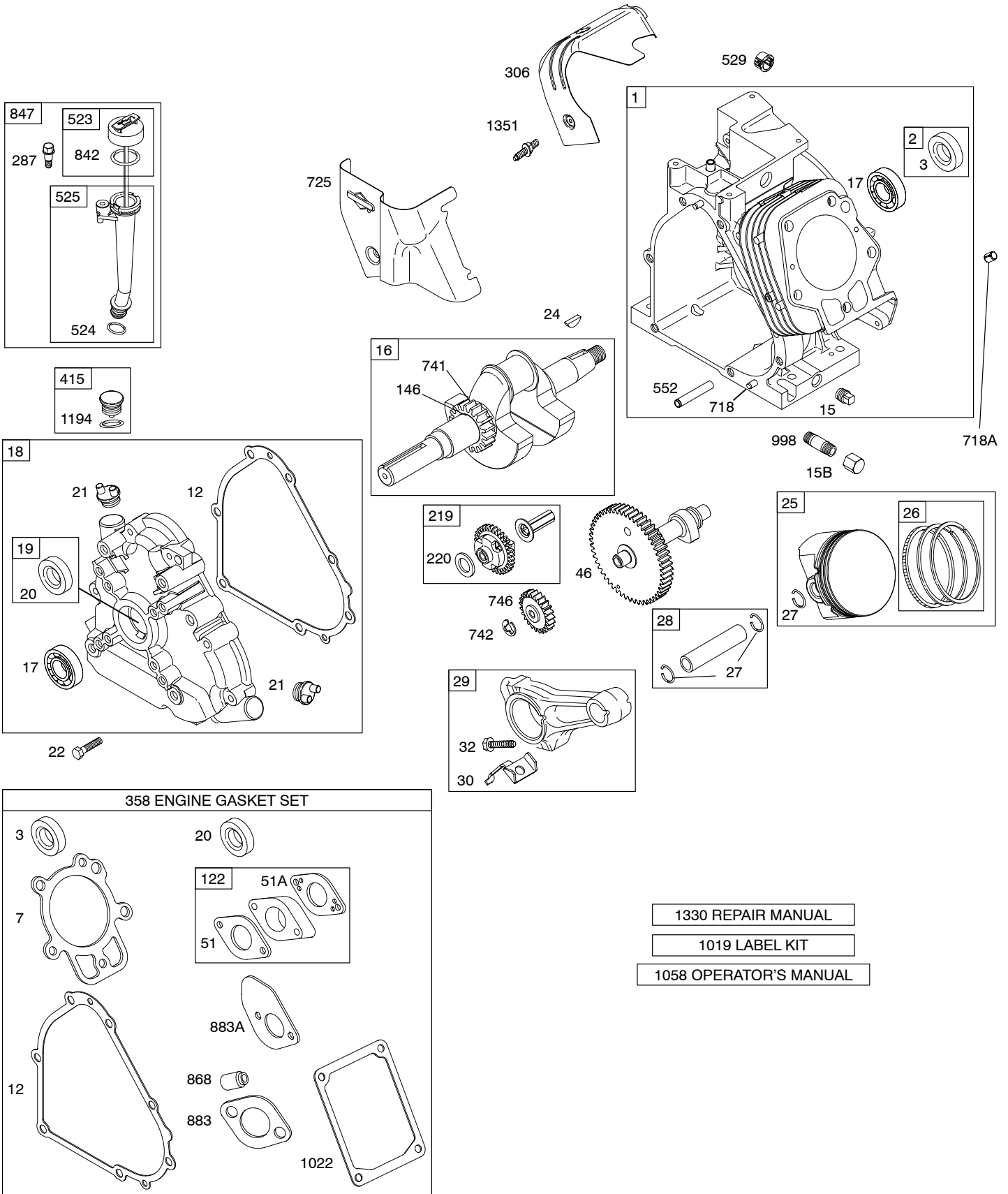
<b>Air Cleaner</b> .....	6
<b>Alternator</b> .....	8
<b>Blower Housing/Shrouds</b> .....	6
<b>Camshaft</b> .....	2
<b>Carburetor</b> .....	4
<b>Controls</b> .....	7
<b>Crankcase Cover</b> .....	2
<b>Crankshaft</b> .....	2
<b>Cylinder</b> .....	2
<b>Cylinder Head</b> .....	3
<b>Electric Starter</b> .....	8
<b>Exhaust System</b> .....	5
<b>Flywheel</b> .....	6
<b>Fuel Supply</b> .....	8
<b>Governor Spring</b> .....	7
<b>Ignition</b> .....	8
<b>Kit/Gasket Sets - Carburetor</b> .....	4
<b>Kit/Gasket Sets - Engine</b> .....	2
<b>Kit/Gasket Sets - Valves</b> .....	3
<b>Lubrication</b> .....	2
<b>Piston, Rings, Connecting Rod</b> .....	2
<b>Rewind Starter</b> .....	6
<b>Valves</b> .....	3



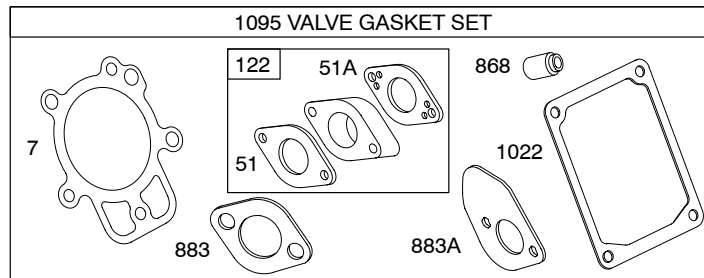
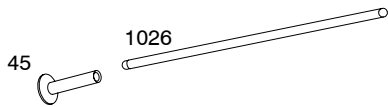
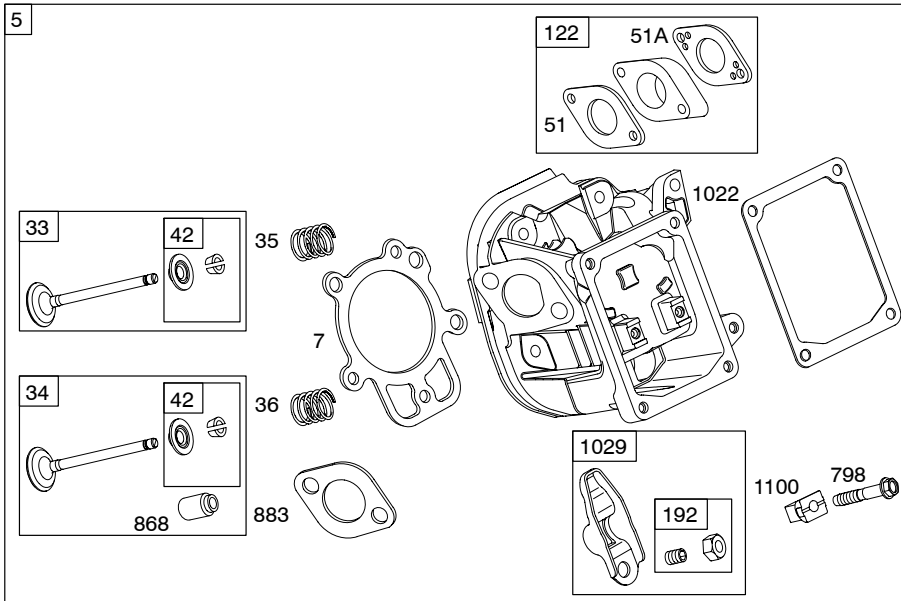
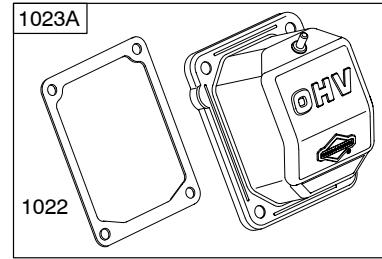
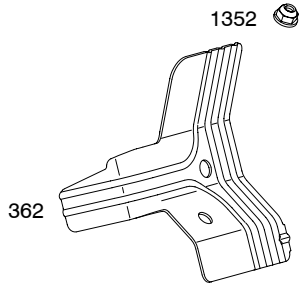
PRINTED IN U.S.A.

COPYRIGHT by BRIGGS & STRATTON CORPORATION  
All rights reserved. No part of this material may be reproduced or transmitted, in any form or by any means, electronic or mechanical, including photocopying, recording or by any information storage and retrieval system, without permission in writing from Briggs & Stratton Corporation.

# 20B400

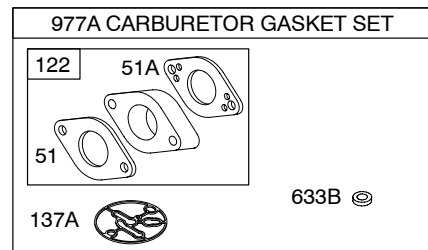
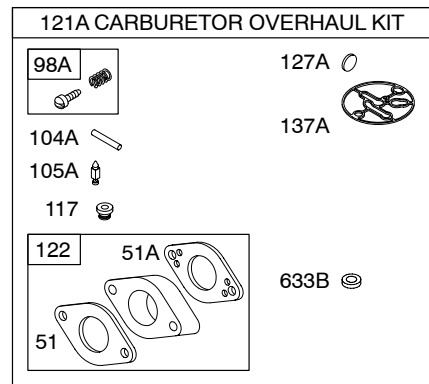
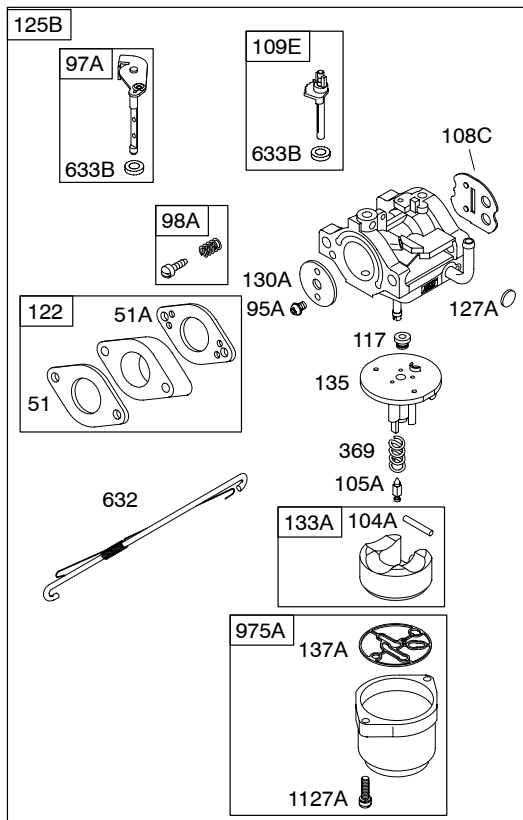


*Illustrations cover a range of engines. Parts shown without corresponding text are not used on this engine.*

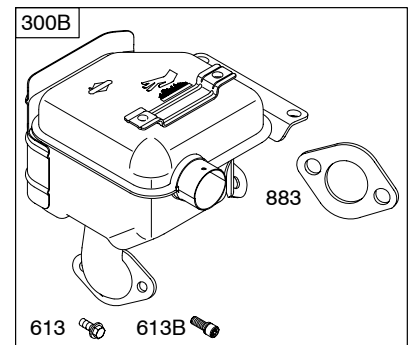
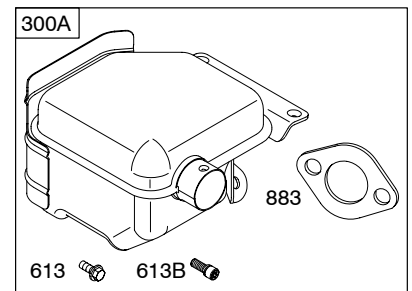
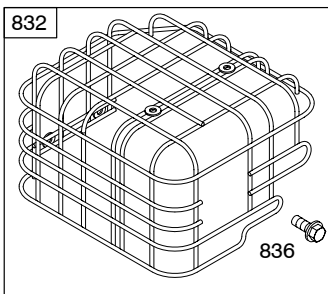
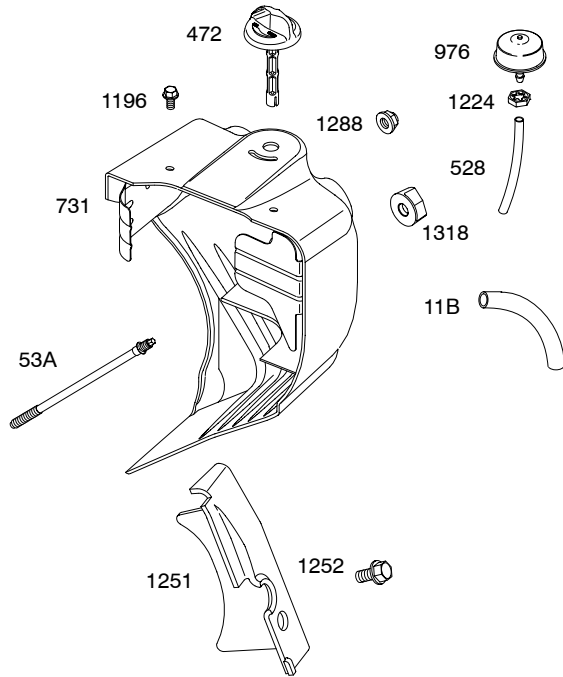


**Illustrations cover a range of engines. Parts shown without corresponding text are not used on this engine.**  
 5059-3 Assemblies include all parts shown in frames. 09/22/2005

# 20B400

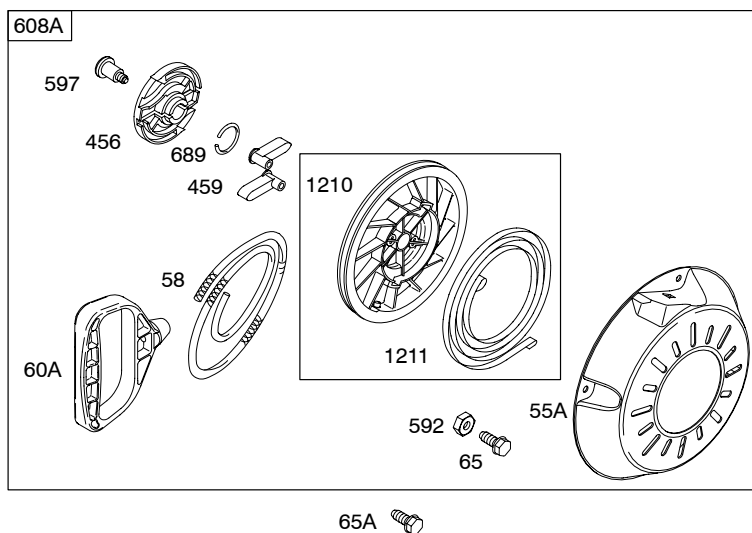
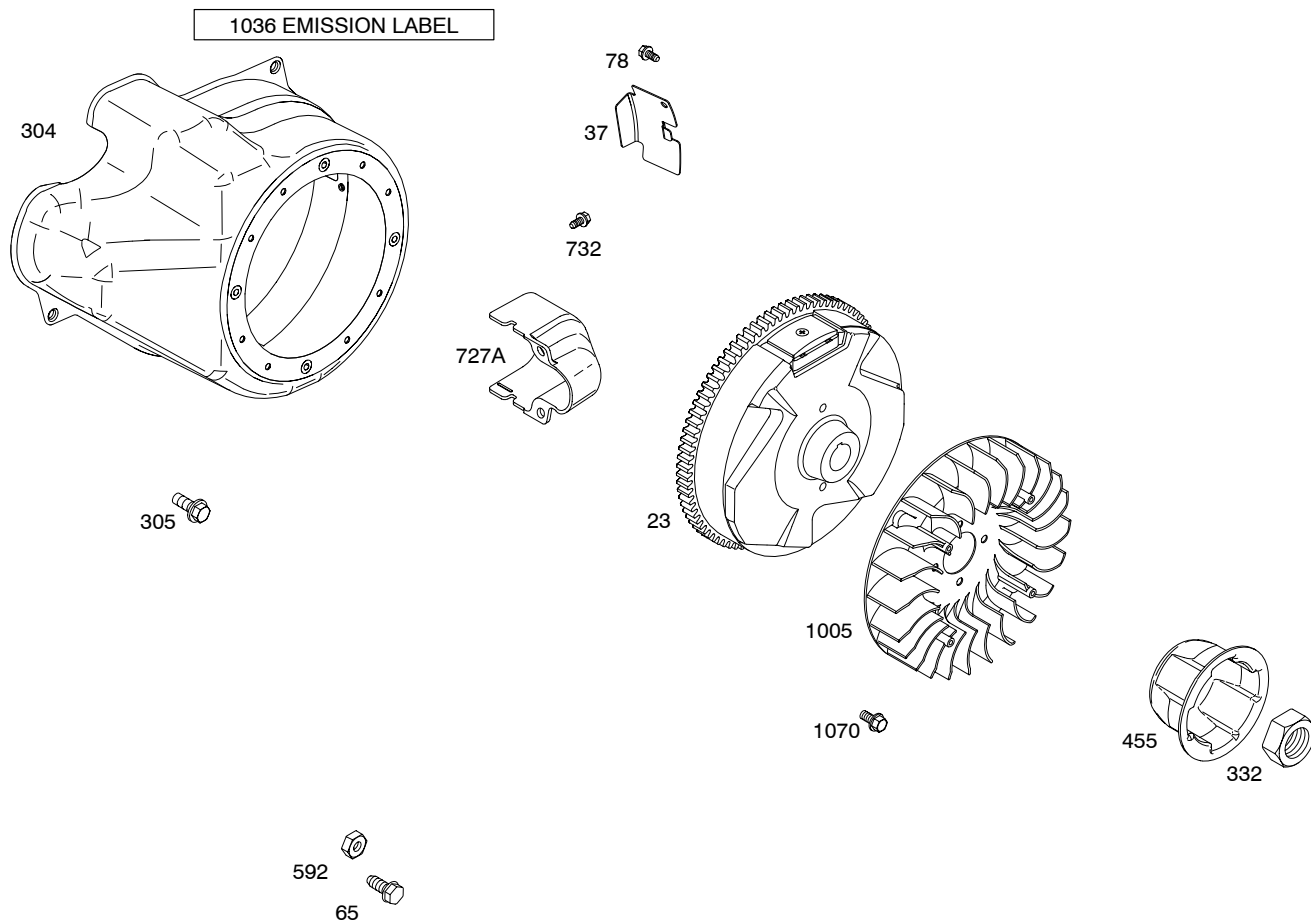


5059-4 **Illustrations cover a range of engines. Parts shown without corresponding text are not used on this engine.** Assemblies include all parts shown in frames. 09/22/2005

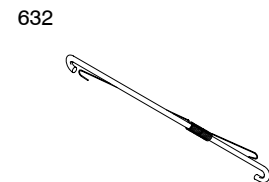
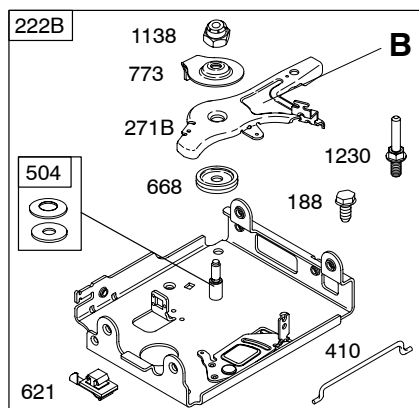
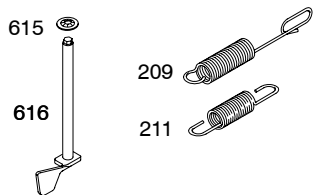
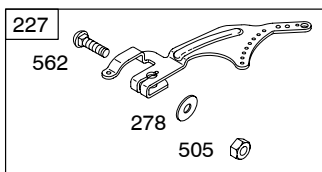
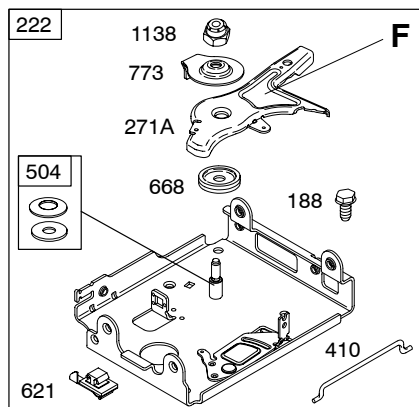
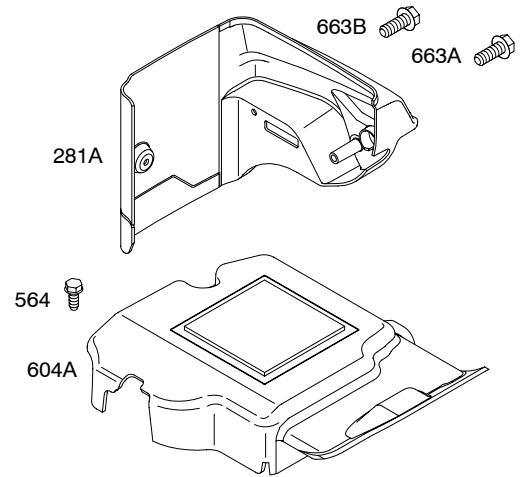
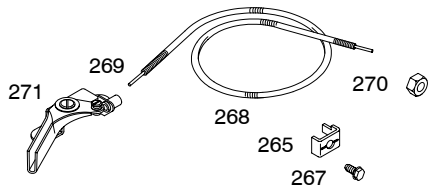


**5059-5** *Illustrations cover a range of engines. Parts shown without corresponding text are not used on this engine.* Assemblies include all parts shown in frames. **09/22/2005**

# 20B400

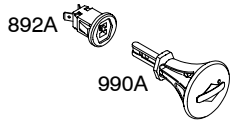
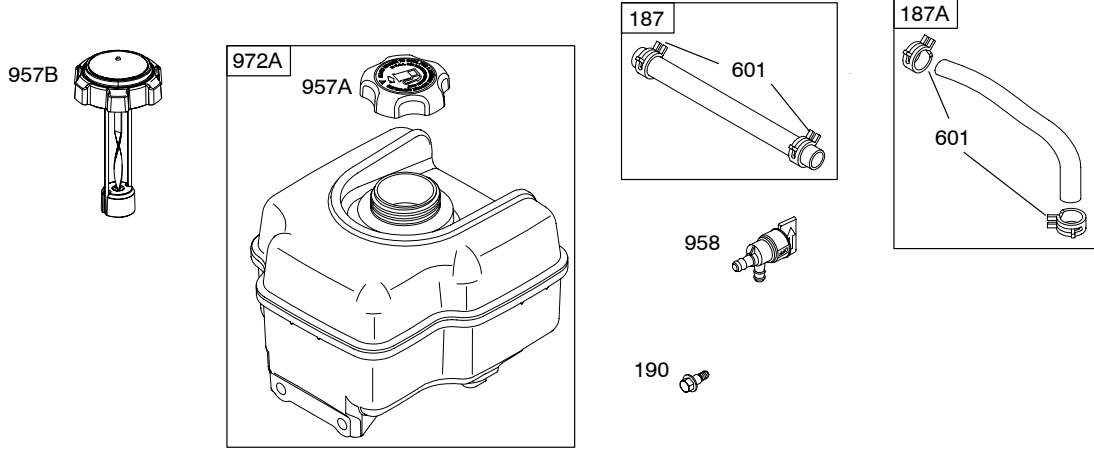


Illustrations cover a range of engines. Parts shown without corresponding text are not used on this engine.  
5059-6 Assemblies include all parts shown in frames. 09/22/2005



**Illustrations cover a range of engines. Parts shown without corresponding text are not used on this engine.**  
 5059-7 Assemblies include all parts shown in frames. 09/22/2005

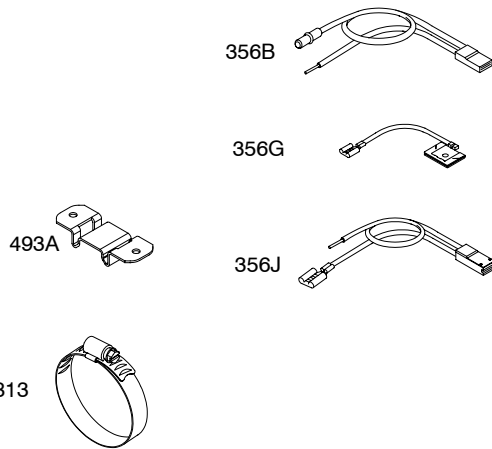
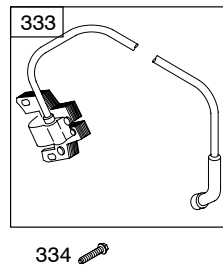
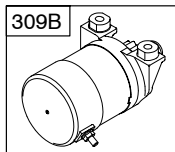
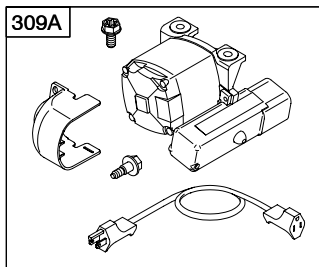
# 20B400



	AC ONLY	DUAL CIRCUIT	10 - 16 AMP
	474	474B	474D
		878	526 501

**NOTE:** All stators use a No. 1119 mounting screw.

**NOTE:** The proper flywheel part number and/or the alternator magnet size will determine the alternator type or output. See repair instruction manual for additional information.



Illustrations cover a range of engines. Parts shown without corresponding text are not used on this engine.  
 5059-8 Assemblies include all parts shown in frames. 09/22/2005



REF. NO.	PART NO.	DESCRIPTION	REF. NO.	PART NO.	DESCRIPTION	REF. NO.	PART NO.	DESCRIPTION
1	696772	Cylinder Assembly	23	695485	Flywheel	51	★△◆694874	Gasket-Intake
2	698340	Kit-Bushing/Seal (Magneto Side)	24	222698	Key-Flywheel	51A	★△◆694875	Gasket-Intake
3	★391086	Seal-Oil (Magneto Side)	25	792117	Piston Assembly (Standard)	53A	696753	Stud (Carburetor)
5	697233	Head-Cylinder (Used After Code Date 01102800). ----- <b>Note</b> -----			<b>792144</b> Piston Assembly (.020" Oversize)	55A	696710	Housing-Rewind Starter
		<b>698040</b> Head-Cylinder (Used Before Code Date 01102900).	26	792026	Ring Set (Standard) (Used After Code Date 05081000)	58	693389	Rope-Starter (Cut to Required Length)
7	★△694872	Gasket-Cylinder Head			----- <b>Note</b> -----	60A	695740	Grip-Starter Rope
11B	696750	Tube-Breather			<b>694004</b> Ring Set (Standard)	65	697725	Screw (Rewind Starter) Used on Type No(s). 0111, 0112.
12	★694953	Gasket-Crankcase			(Used Before Code Date 05081100)	65A	695453	Screw (Rewind Starter)
13	690360	Screw (Cylinder Head)			<b>792073</b> Ring Set (.020" Oversize) (Used After Code Date 05081000)	78	695724	Screw (Flywheel Guard)
15	691686	Plug-Oil Drain			<b>694008</b> Ring Set (.020" Oversize) (Used Before Code Date 05081100)	95A	690718	Screw (Throttle Valve)
15B	695757	Plug-Oil Drain	27	690975	Lock-Piston Pin	97A	696387	Shaft-Throttle
16	695369	Crankshaft ----- <b>Note</b> -----	28	690229	Pin-Piston	98A	◆695408	Kit-Idle Speed
		<b>695462</b> Crankshaft Used on Type No(s). 0111, 0112.	29	694691	Rod-Connecting	104A	◆694918	Pin-Float Hinge
		<b>696412</b> Crankshaft Used on Type No(s). 0017, 0369.	30	694692	Dipper-Connecting Rod	105A	◆696136	Valve-Float Needle
17	695434	Bearing-Ball	32	690976	Screw (Connecting Rod)	108C	696736	Valve-Choke
18	696914	Cover-Crankcase ----- <b>Note</b> -----	33	499596	Valve-Exhaust	109E	696735	Shaft-Choke
		<b>695372</b> Cover- Crankcase Used on Type No(s). 0111, 0112.	34	697464	Valve-Intake	117	◆696134	Jet-Main (Standard)
19	698340	Kit-Bushing/Seal (PTO Side)	35	694865	Spring-Valve (Intake)	118	696135	Jet-Main (High Altitude)
20	★391086	Seal-Oil (PTO Side)	36	694865	Spring-Valve (Exhaust)	121A	696146	Kit-Carburetor Overhaul (Nikki Carburetor)
21	281658	Cap-Oil Fill	37	696701	Guard-Flywheel	122	★△◆694876	Spacer-Carburetor
22	695174	Screw (Crankcase Cover/ Sump)	42	499586	Keeper-Valve	125B	696737	Carburetor
			45	690977	Tappet-Valve	127A	◆690727	Plug-Welch
			46	790958	Camshaft	130A	696139	Valve-Throttle
						133A	694914	Float-Carburetor
						135	696142	Tube-Fuel Transfer
						137A	◆◆695426	Gasket-Float Bowl
						146	690979	Key-Timing

★ Included in Engine Gasket Set-Ref. No.358.

● Included in Carburetor Overhaul Kit-Ref. No. 121 & 121A.

◆ Included in Carburetor Gasket Set-Ref. No. 977 & 977A.

△ Included in Valve Gasket Set-Ref. No 1095.

**Illustrations cover a range of engines. Parts shown without corresponding text are not used on this engine.**

## 20B400

REF. NO.	PART NO.	DESCRIPTION	REF. NO.	PART NO.	DESCRIPTION	REF. NO.	PART NO.	DESCRIPTION
187	791766	Line-Fuel (Cut To Required Length) (Used After Code Date 05063000) ----- <b>Note</b> ----- 691050 Line-Fuel (Used Before Code Date 05070100)			(Cut to Required Length)	304	791479	Housing-Blower (Used After Code Date 01102800). ----- <b>Note</b> ----- 791478 Housing-Blower (Used Before Code Date 01102900). 699339 Housing-Blower Used on Type No(s). 0111, 0112.
187A	791869	Line-Fuel (Used After Code Date 05063000) ----- <b>Note</b> ----- 695429 Line-Fuel (Used Before Code Date 05070100)	270	691027	Nut (Control Wire Casing)	305	691108	Screw (Blower Housing)
188	690877	Screw (Control Bracket)	271A	695381	Lever-Control Used on Type No(s). 0112.	306	697240	Shield-Cylinder (Used After Code Date 01102800). ----- <b>Note</b> ----- 694677 Shield Cylinder (Used Before Code Date 01102900).
190	692127	Screw (Fuel Tank)	271B	698035	Lever-Control (Ansi-Application)	309A	696611	Motor-Starter
192	690083	Adjuster-Rocker Arm	278	792008	Washer (Governor Control Lever)	309B	698162	Motor-Starter Used on Type No(s). 0111, 0112.
209	694867	Spring-Governor	281A	697400	Panel-Control (Used After Code Date 01102800). ----- <b>Note</b> ----- 696703 Panel-Control (Used Before Code Date 01102900).	332	694685	Nut (Flywheel)
211	695307	Spring-Governor Idle	287	691693	Screw (Dipstick Tube) Used on Type No(s). 0111, 0112.	333	715231	Armature-Magneto
219	693578	Gear-Governor	300A	699211	Muffler (Used After Code Date 03041300). Used on Type No(s). 0017, 0100, 0369.	334	691061	Screw (Magneto Armature)
220	691724	Washer (Governor Gear)	300B	699222	Muffler (Used After Code Date 03041300). Used on Type No(s). 0111, 0112. ----- <b>Note</b> ----- 698160 Muffler (Used Before Code Date 03041400). Used on Type No(s). 0111.	337	491055	Plug Spark
222	698034	Bracket-Control				356B	699340	Wire-Stop Used on Type No(s). 0111, 0112.
222B	698161	Bracket-Control Used on Type No(s). 0112.				356G	696748	Wire-Stop
227	694864	Lever-Governor Control				356J	696700	Wire-Stop
265	691024	Clamp-Casing						
267	692577	Screw (Casing Clamp)						
268	691025	Casing-Control Wire (Cut to Required Length)						
269	691026	Wire-Control						

★ Included in Engine Gasket Set-Ref. No.358.

● Included in Carburetor Overhaul Kit-Ref. No. 121 & 121A.

◆ Included in Carburetor Gasket Set-Ref. No. 977 & 977A.

△ Included in Valve Gasket Set-Ref. No 1095.

**Illustrations cover a range of engines. Parts shown without corresponding text are not used on this engine.**

5059-10

Assemblies include all parts shown in frames.

09/22/2005

**20B400**

REF. NO.	PART NO.	DESCRIPTION	REF. NO.	PART NO.	DESCRIPTION	REF. NO.	PART NO.	DESCRIPTION
358	695438	Gasket Set-Engine	505	691251	Nut (Governor Control Lever)	632A	695917	Link-Throttle (Used With Nikki Carburetor)
362	698041	Shield-Spark Plug				633B	◆690998	Seal-Choke/Throttle Shaft
369	695422	Spring-Float Bowl	523	695344	Dipstick	635	710901	Boot-Spark Plug (Alternator)
383	19374	Wrench-Spark Plug	524	691876	Seal-Dipstick Tube	663A	696685	Screw (Control Panel) Used on Type No(s). 0111, 0112.
410	695382	Link-Control	525	695343	Tube-Dipstick			
415	691363	Plug	526	690297	Screw (Mounting Bracket) Used on Type No(s). 0111, 0112.	663B	696704	Screw (Control Panel)
455	697226	Cup-Flywheel				668	694257	Spacer (Control Bracket)
456	692299	Plate-Pawl Friction	528	696751	Hose-Primer	689	691855	Spring-Friction
459	281505	Pawl-Ratchet	529	791822	Grommet	718	690959	Pin-Locating (Cylinder)
472	696752	Knob-Choke Shaft	552	694674	Bushing-Governor Crank	718A	690959	Pin-Locating (Head)
474	694457	Alternator Used on Type No(s). 0369.	562	691119	Bolt (Governor Control Lever)	725	696756	Shield-Heat
474B	696742	Alternator (Dual Circuit) Used on Type No(s). 0017.	564	696692	Screw (Control Cover)	727A	697465	Cover-Starter Drive Used on Type No(s). 0111, 0112.
474D	695466	Alternator (10 Amp Regulated) Used on Type No(s). 0111, 0112.	592	690800	Nut (Rewind Starter)	731	790222	Hood-Snow (Used After Code Date 01102800).
485	695755	Knob-Control Used on Type No(s). 0100.	597	691696	Screw (Pawl Friction Plate)			----- <b>Note</b> ----- <b>696755</b> Hood-Snow (Used Before Code Date 01102900)
493A	691177	Bracket-Mounting Used on Type No(s). 0111, 0112.	601	95162	Clamp-Hose			
501	691185	Regulator Used on Type No(s). 0111, 0112.	604A	696758	Cover-Control			
504	695383	Washer Set-Friction ----- <b>Note</b> ----- <b>694254</b> Washer Set-Friction Used on Type No(s). 0111, 0112.	608A	699335	Starter-Rewind			
			613	695312	Screw (Muffler)			
			613B	696705	Screw (Muffler) (Torx Head)			
			615	694676	Retainer-Governor Shaft			
			616	694675	Crank-Governor			
			621	692310	Switch-Stop			

★ Included in Engine Gasket Set-Ref. No.358.

● Included in Carburetor Overhaul Kit-Ref. No. 121 & 121A.

◆ Included in Carburetor Gasket Set-Ref. No. 977 & 977A.

△ Included in Valve Gasket Set-Ref. No 1095.

**Illustrations cover a range of engines. Parts shown without corresponding text are not used on this engine.**

## 20B400

REF. NO.	PART NO.	DESCRIPTION	REF. NO.	PART NO.	DESCRIPTION	REF. NO.	PART NO.	DESCRIPTION
732	691097	Screw (Starter Drive Cover)	958	698180	Valve-Fuel Shut Off (Plastic)	1171	696754	Stud (Rocker Cover)
741	691288	Gear-Timing	972A	694260	Tank-Fuel (Plastic)	1194	691876	Seal-O Ring (Plug)
742	692564	Retainer-E Ring	975A	696138	Bowl-Float	1196	699166	Screw (Snow Hood) (Used After Code Date 03041300).
746	694679	Gear-Idler	976	790221	Primer-Carburetor (Used After Code Date 04061500).			----- <b>Note</b> -----
773	694258	Retainer						----- <b>Note</b> -----
798	697890	Screw (Rocker Arm)						
813	690635	Clamp Used on Type No(s). 0111, 0112.						
832	699223	Muffler Guard						
836	691003	Screw (Muffler Guard)	977A	◆696147	Gasket Set-Carburetor (Used With Nikki Carburetor)	1210	498144	Pulley/Spring Assembly (Pulley)
842	691876	Seal-O Ring (Dipstick Tube)	990A	695756	Key Set	1211	498144	Pulley/Spring Assembly (Spring)
847	695342	Dipstick-Tube Assembly Used on Type No(s). 0111, 0112.	998	696683	Pipe-Oil	1224	696824	Nut (Carburetor Primer)
868	★Δ690968	Seal-Valve	1005	694684	Fan-Flywheel	1230	696747	Stud (Control Bracket)
877C	399916	Wire/Connector- Alternator	1009	698113	Screw-Starter	1251	696762	Shield-Snow
878	398661	Harness-Alternator	1019	696745	Kit-Label	1252	696763	Screw (Snow Shield)
883	★Δ697255	Gasket-Exhaust (Used After Code Date 02011900).	1022	★Δ690971	Gasket-Rocker Cover	1275	696757	Nut (Rocker Cover)
		----- <b>Note</b> -----	1023A	698042	Cover-Rocker Arm	1288	696757	Nut (Snow Hood)
		695398 Gasket Exhaust (Used Before Code Date 02012000).	1026	695177	Rod-Push	1318	698111	Knob (Snow Hood)
892A	★Δ696749	Switch-Key	1029	690972	Arm-Rocker Label-Emission (Available from an Authorized Briggs & Stratton Service Dealer)	1330	272147	Repair Manual
914	693732	Screw (Rocker Cover)	1036			1351	790017	Stud (Cylinder Shield)
930	696709	Guard-Rewind	1058	275010	Operator's Manual	1352	790026	Nut (Spark Plug Shield)
957A	694261	Cap-Fuel Tank (Plastic)	1070	691058	Screw (Flywheel Fan)			
957B	698109	Cap-Fuel Tank (Gauge)	1095	695440	Gasket Set-Valve			
			1100	690973	Pivot-Rocker Arm			
			1119	691183	Screw (Alternator)			
			1127A	695407	Screw (Float Bowl)			
			1138	694255	Nut (Control Bracket)			

★ Included in Engine Gasket Set-Ref. No.358.

● Included in Carburetor Overhaul Kit-Ref. No. 121 & 121A.

◆ Included in Carburetor Gasket Set-Ref. No. 977 & 977A.

Δ Included in Valve Gasket Set-Ref. No 1095.

**Illustrations cover a range of engines. Parts shown without corresponding text are not used on this engine.**

5059-12

Assemblies include all parts shown in frames.

09/22/2005