



# Illustrated Parts List

## Model Series

# 20A100

TYPE NUMBERS  
0120 thru 0650.

### TABLE OF CONTENTS

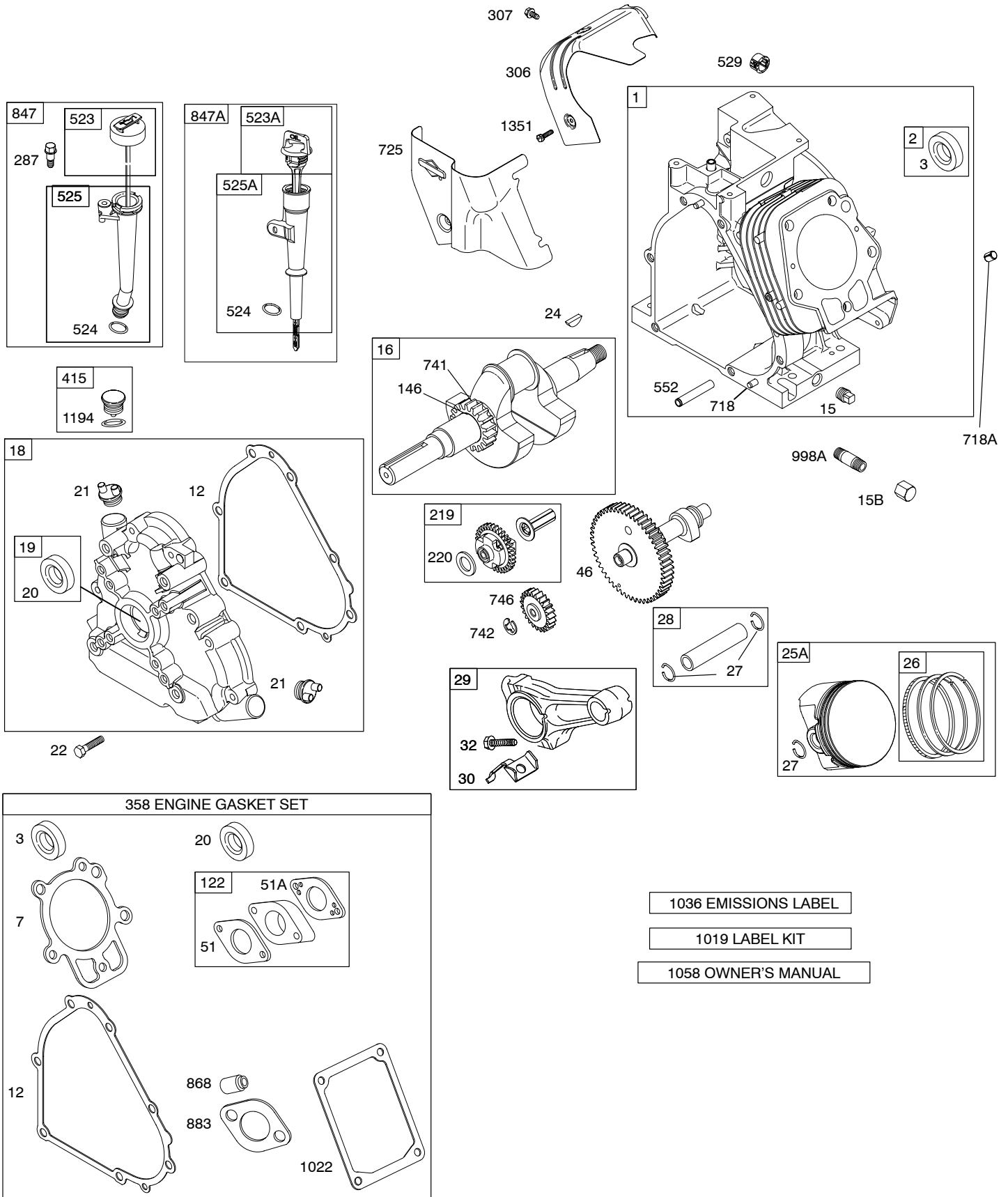
|  |   |
|--|---|
| <b>Air Cleaner</b> .....                   | 5 |
| <b>Alternator</b> .....                    | 8 |
| <b>Blower Housing/Shrouds</b> .....        | 6 |
| <b>Camshaft</b> .....                      | 2 |
| <b>Carburetor</b> .....                    | 4 |
| <b>Controls</b> .....                      | 7 |
| <b>Crankcase Cover</b> .....               | 2 |
| <b>Crankshaft</b> .....                    | 2 |
| <b>Cylinder</b> .....                      | 2 |
| <b>Cylinder Head</b> .....                 | 3 |
| <b>Electric Starter</b> .....              | 8 |
| <b>Exhaust System</b> .....                | 5 |
| <b>Flywheel</b> .....                      | 6 |
| <b>Fuel Supply</b> .....                   | 8 |
| <b>Governor Spring</b> .....               | 7 |
| <b>Ignition</b> .....                      | 8 |
| <b>Kit/Gasket Set - Carburetor</b> .....   | 4 |
| <b>Kit/Gasket Set - Engine</b> .....       | 2 |
| <b>Kit/Gasket Set - Valves</b> .....       | 3 |
| <b>Lubrication</b> .....                   | 2 |
| <b>Piston, Rings, Connecting Rod</b> ..... | 2 |
| <b>Rewind Starter</b> .....                | 6 |
| <b>Valves</b> .....                        | 3 |



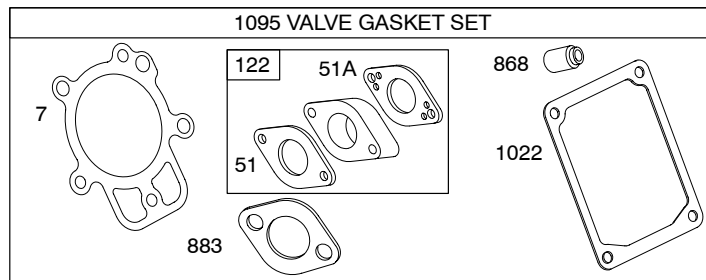
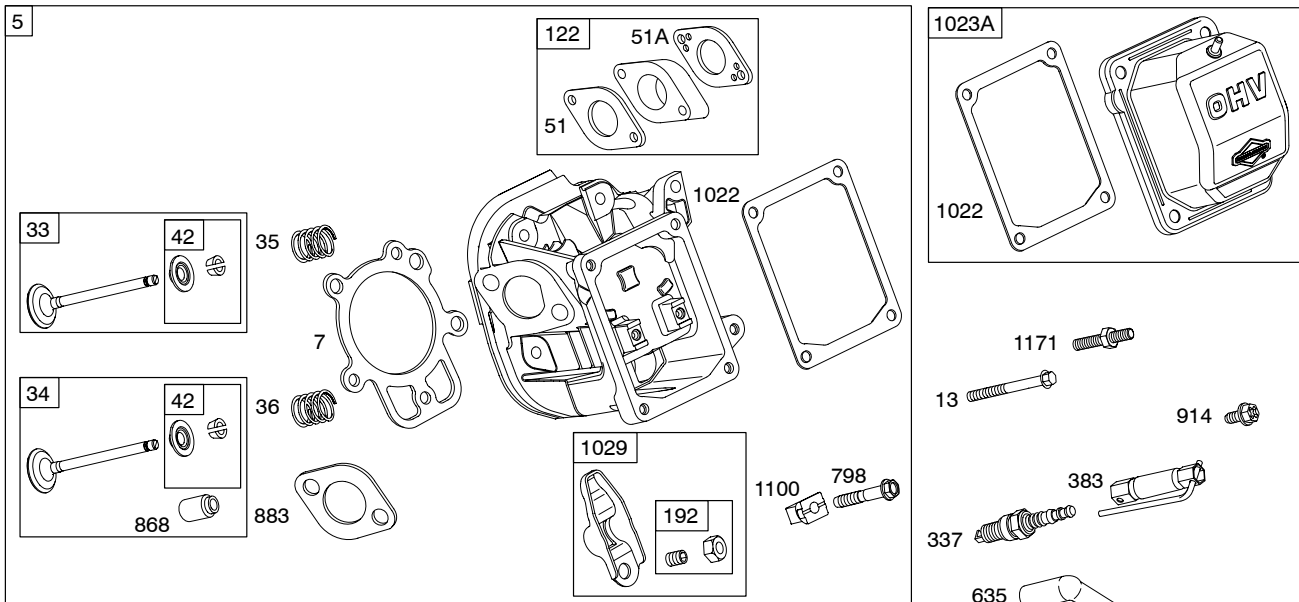
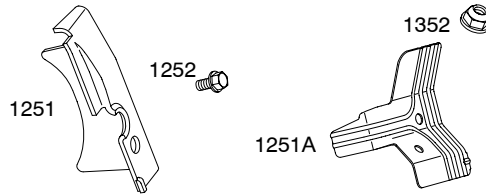
PRINTED IN U.S.A.

COPYRIGHT by BRIGGS & STRATTON CORPORATION  
All rights reserved. No part of this material may be reproduced or transmitted, in any form or by any means, electronic or mechanical, including photocopying, recording or by any information storage and retrieval system, without permission in writing from Briggs & Stratton Corporation.

# 20A100

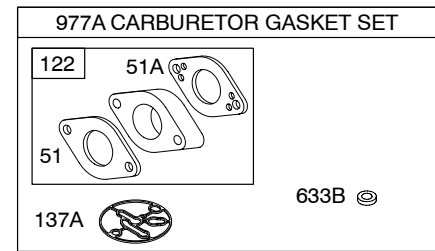
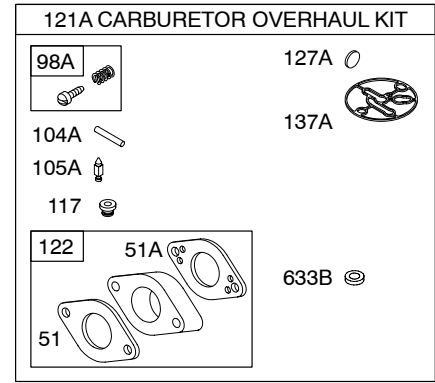
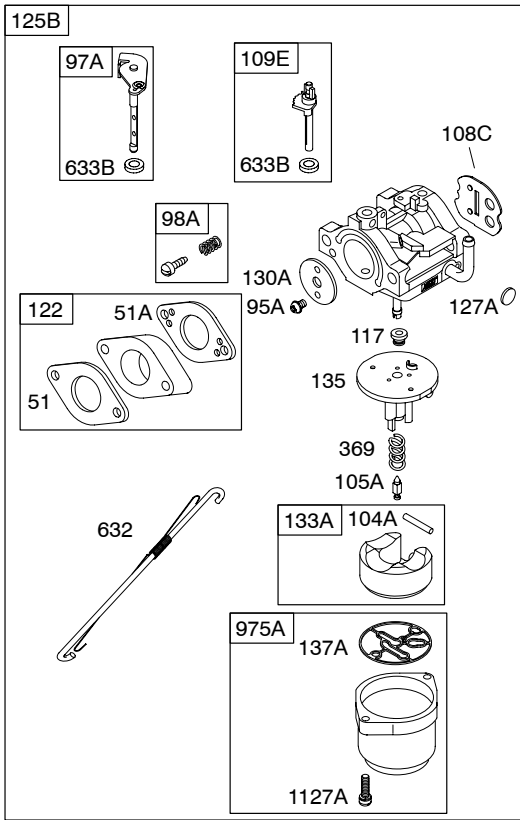


**Illustrations cover a range of engines. Parts shown without corresponding text are not used on this engine.**  
**3417-2** Assemblies include all parts shown in frames. **12/08/2005**

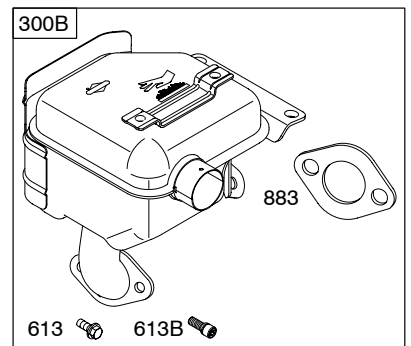
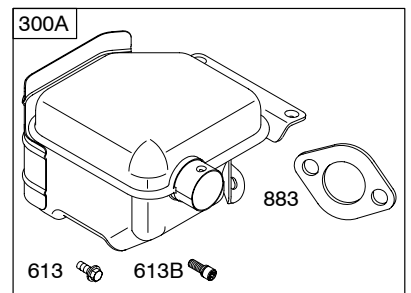
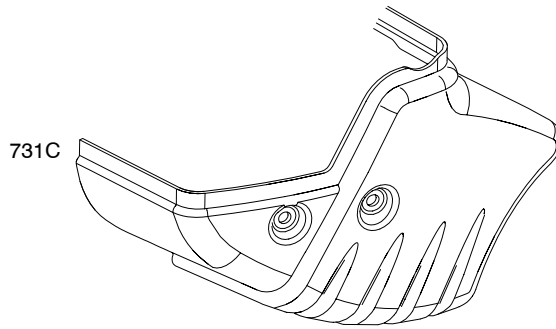
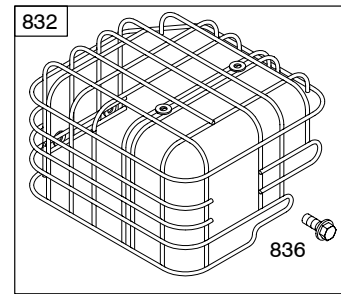
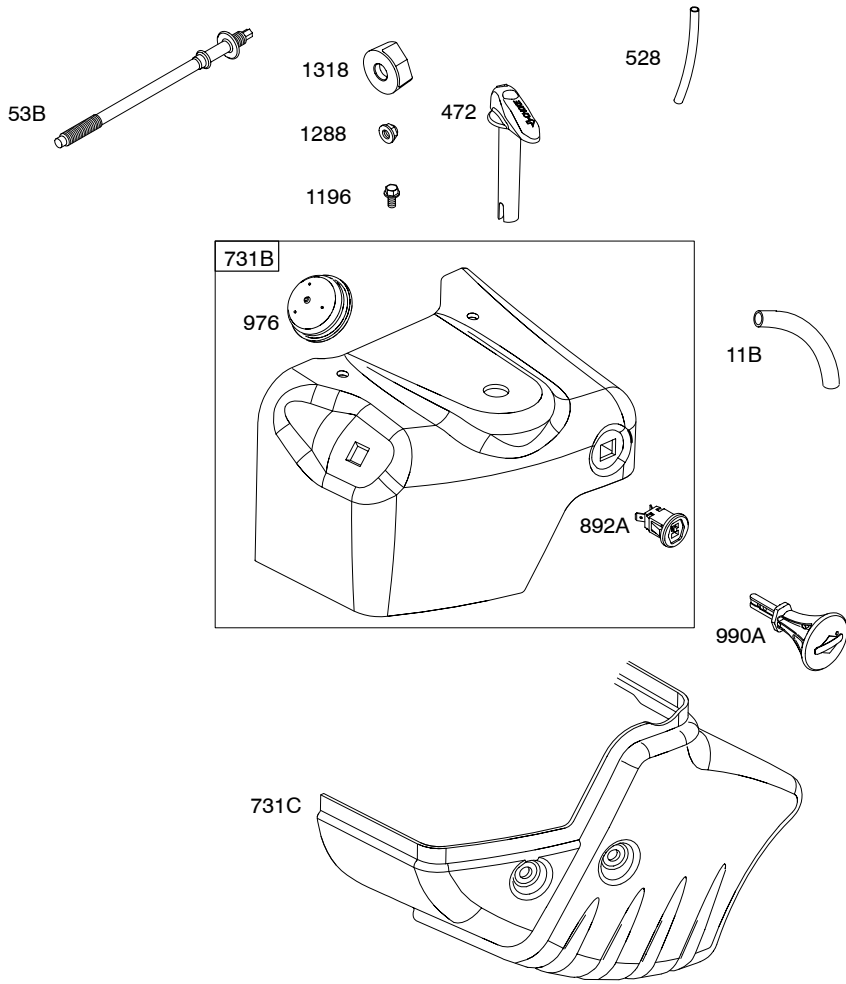


**Illustrations cover a range of engines. Parts shown without corresponding text are not used on this engine.**  
**3417-3** Assemblies include all parts shown in frames. **12/08/2005**

# 20A100



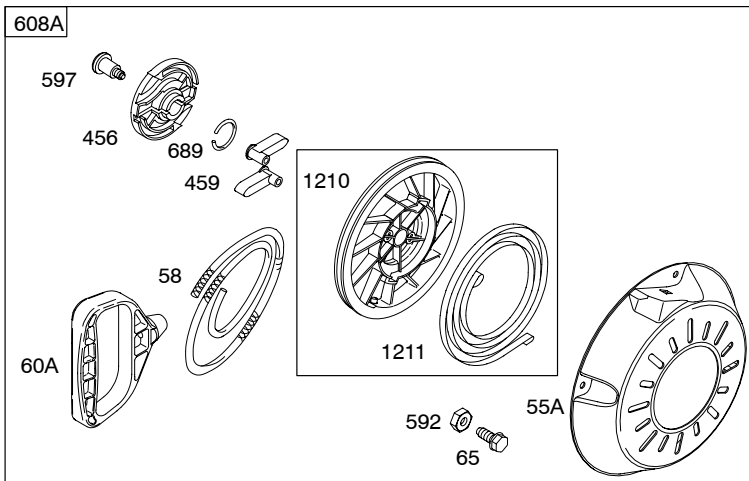
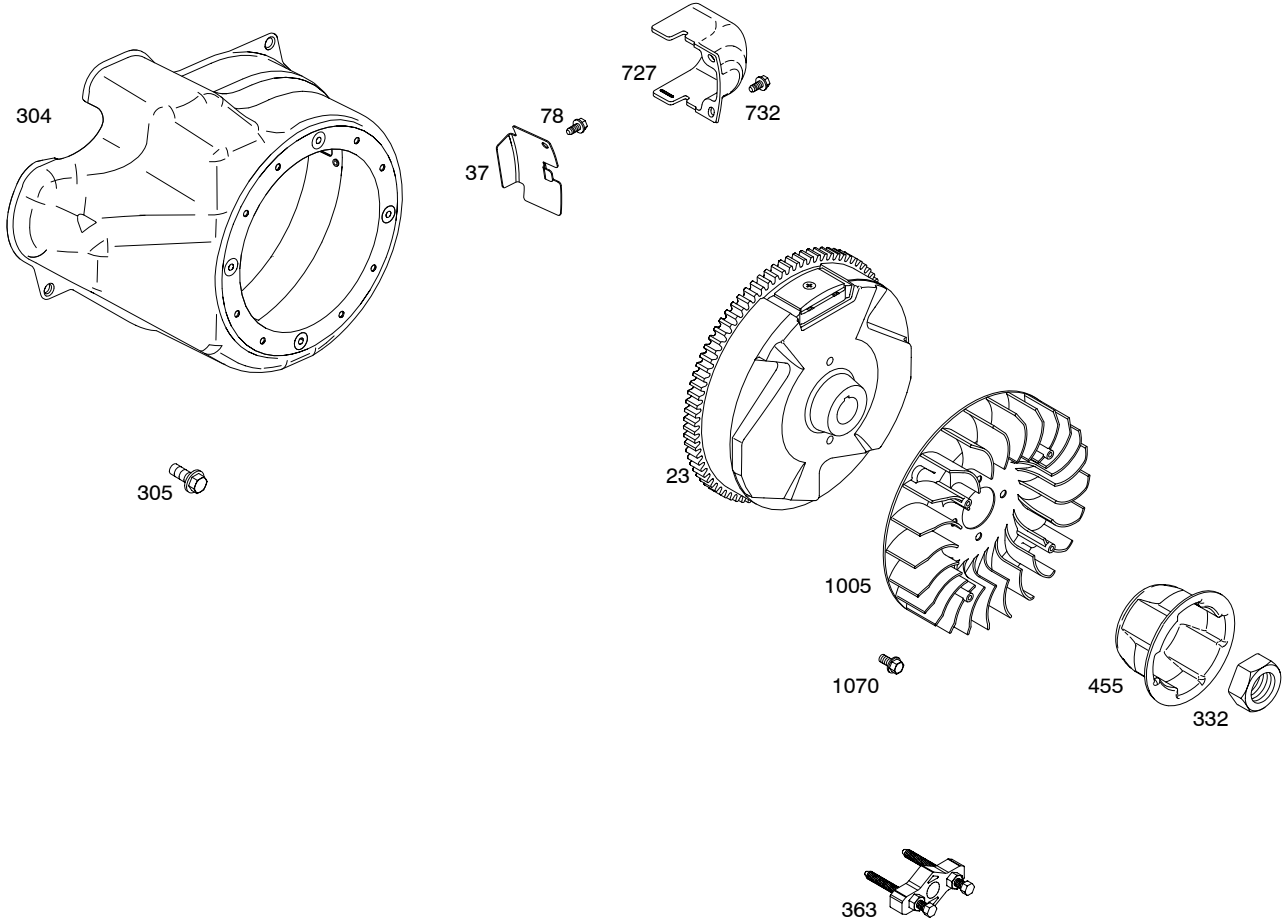
Illustrations cover a range of engines. Parts shown without corresponding text are not used on this engine.  
 3417-4 Assemblies include all parts shown in frames. 12/08/2005



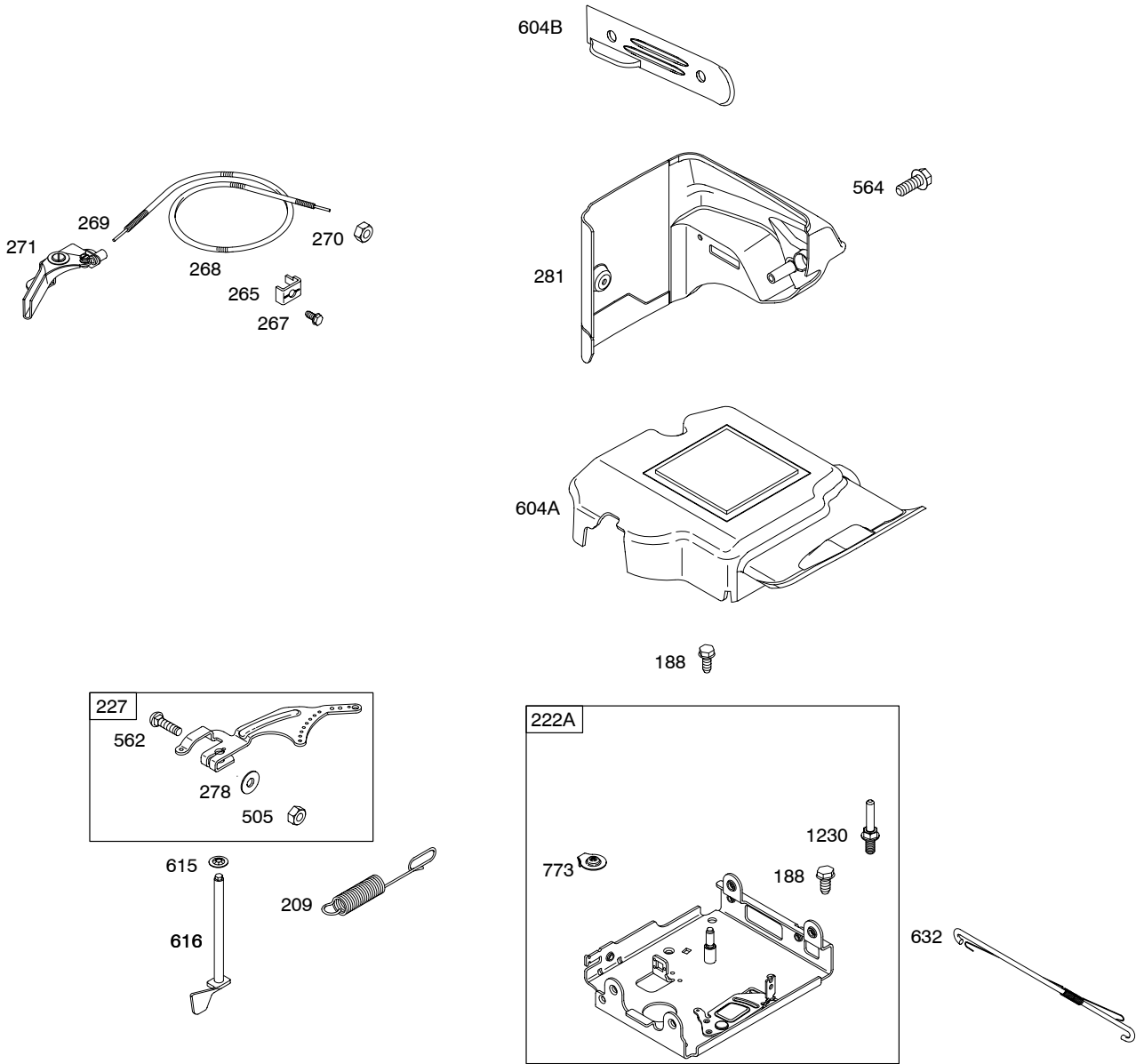
Illustrations cover a range of engines. Parts shown without corresponding text are not used on this engine.  
3417-5 Assemblies include all parts shown in frames. 12/08/2005

# 20A100

1036 EMISSION LABEL

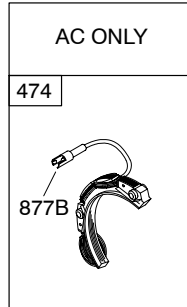



3417-6 *Illustrations cover a range of engines. Parts shown without corresponding text are not used on this engine.* Assemblies include all parts shown in frames. 12/08/2005



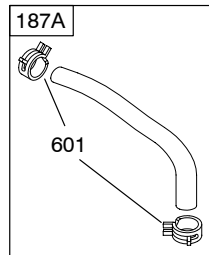
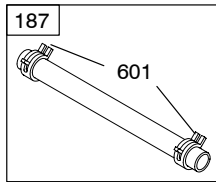
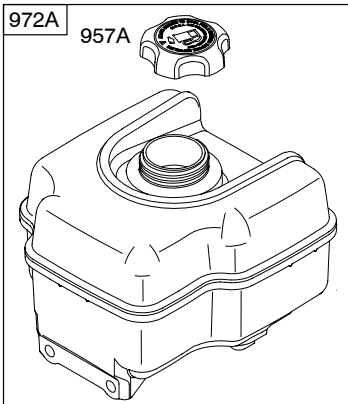
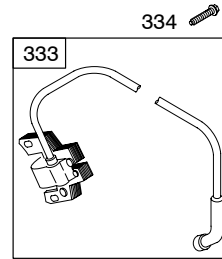
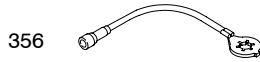
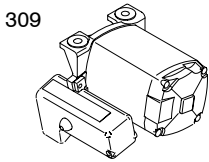
Illustrations cover a range of engines. Parts shown without corresponding text are not used on this engine.  
3417-7 Assemblies include all parts shown in frames. 12/08/2005

# 20A100



**NOTE:** All stators use a No. 1119 mounting screw. 

**NOTE:** The proper flywheel part number and/or the alternator magnet size will determine the alternator type or output. See repair instruction manual for additional information.



**Illustrations cover a range of engines. Parts shown without corresponding text are not used on this engine.**



**20A100**

| REF. NO. | PART NO. | DESCRIPTION   | REF. NO. | PART NO.   | DESCRIPTION                                      | REF. NO. | PART NO.   | DESCRIPTION  |
|----------|----------|---|----------|------------|--|----------|------------|--|
| 1        | 695464   | Cylinder Assembly   | 27       | 690975     | Lock-Piston Pin                                  | 122      | ★*Δ◆694876 | Spacer-Carburetor  |
| 3        | ★391086  | Seal-Oil<br>(Magneto Side)  | 28       | 690229     | Pin-Piston                                       | 125B     | 696737     | Carburetor   |
| 5        | 697233   | Head-Cylinder   | 29       | 694691     | Rod-Connecting                                   | 127A     | ●690727    | Plug-Welch   |
| 7        | ★Δ694872 | Gasket-Cylinder Head  | 30       | 694692     | Dipper-Connecting<br>Rod                         | 130A     | 696139     | Valve-Throttle   |
| 11B      | 696750   | Tube-Breather   | 32       | 690976     | Screw<br>(Connecting Rod)                        | 133A     | 694914     | Float-Carburetor   |
| 12       | ★694953  | Gasket-Crankcase  | 33       | 499596     | Valve-Exhaust                                    | 135      | 696142     | Tube-Fuel Transfer   |
| 13       | 690360   | Screw<br>(Cylinder Head)  | 34       | 697464     | Valve-Intake                                     | 137A     | ●◆695426   | Gasket-Float Bowl  |
| 15       | 691686   | Plug-Oil Drain  | 35       | 694865     | Spring-Valve<br>(Intake)                         | 146      | 690979     | Key-Timing   |
| 15B      | 695757   | Plug-Oil Drain  | 36       | 694865     | Spring-Valve<br>(Exhaust)                        | 187      | 691050     | Line-Fuel<br>(Cut To Required<br>Length)                             |
| 16       | 696412   | Crankshaft  | 37       | 696701     | Guard-Flywheel                                   | 187A     | 695429     | Line-Fuel<br>----- <b>Note</b> -----                                 |
| 18       | 696914   | Cover-Crankcase   | 42       | 499586     | Keeper-Valve                                     |          |            | 698080   |
| 19       | 698340   | Kit-Bushing/Seal<br>(PTO Side)  | 45       | 690977     | Tappet-Valve                                     |          |            | Line-Fuel<br>Used on Type No(s).<br>0120, 0363, 0533,<br>0537, 0650. |
| 20       | ★391086  | Seal-Oil<br>(PTO Side)  | 46       | 790496     | Camshaft   | 188      | 690877     | Screw<br>(Control Bracket)   |
| 21       | 281658   | Cap-Oil Fill  | 51       | ★*Δ◆694874 | Gasket-Intake                                    | 190      | 692127     | Screw<br>(Fuel Tank)   |
| 22       | 695174   | Screw<br>(Crankcase<br>Cover/Sump)  | 51A      | ★*Δ◆694875 | Gasket-Intake                                    | 192      | 690083     | Adjuster-Rocker Arm  |
| 23       | 695485   | Flywheel  | 53B      | 696753     | Stud<br>(Carburetor)                             | 209      | 695491     | Spring-Governor  |
| 24       | 222698   | Key-Flywheel  | 55A      | 696710     | Housing-Rewind<br>Starter                        | 219      | 693578     | Gear-Governor  |
| 25A      | 792117   | Piston Assembly<br>(Standard)<br>----- <b>Note</b> -----<br>792144                                | 58       | 693389     | Rope-Starter<br>(Cut To Required<br>Length)      | 220      | 691724     | Washer<br>(Governor Gear)  |
|          |          | Piston<br>Assembly<br>(.020" Oversize)  | 60A      | 695740     | Grip-Starter Rope                                | 222A     | 694866     | Bracket-Control  |
|          |          | 792144  | 65       | 697725     | Screw<br>(Rewind Starter)                        | 227      | 694864     | Lever-Governor<br>Control  |
|          |          | Assembly<br>(.020" Oversize)  | 78       | 695724     | Screw<br>(Flywheel Guard)                        | 265      | 691024     | Clamp-Casing   |
| 26       | 792026   | Ring Set<br>(Standard)<br>(Used After Code Date<br>05081000)<br>----- <b>Note</b> -----<br>694004 | 95A      | 690718     | Screw<br>(Throttle Valve)                        | 267      | 692577     | Screw<br>(Casing Clamp)  |
|          |          | Ring Set<br>(Used Before Code<br>Date 05081100)   | 97A      | 696387     | Shaft-Throttle                                   | 268      | 691025     | Casing-Control Wire<br>(Cut To Required<br>Length)                   |
|          |          | 792073  | 98A      | ●695408    | Kit-Idle Speed                                   | 269      | 691026     | Wire-Control<br>(Cut To Required<br>Length)                          |
|          |          | Ring Set<br>(.020" Oversize)<br>(Used After Code Date<br>05081000)                                | 104A     | ●694918    | Pin-Float Hinge                                  | 270      | 691027     | Nut<br>(Control Wire Casing)   |
|          |          | 694008  | 105A     | ●696136    | Valve-Float Needle                               | 271      | 691028     | Lever-Control  |
|          |          | Ring Set<br>(.020" Oversize)<br>(Used Before Code<br>Date 05081100)                               | 108C     | 696736     | Valve-Choke                                      | 278      | 792008     | Washer<br>(Governor Control<br>Lever)                                |
|          |          |   | 109E     | 696735     | Shaft-Choke                                      | 281      | 697268     | Panel-Control  |
|          |          |   | 117      | ●696134    | Jet-Main<br>(Standard)                           | 287      | 691693     | Screw<br>(Dipstick Tube)]  |
|          |          |   | 118      | 696135     | Jet-Main<br>(High Altitude)                      |          |            |  |
|          |          |   | 121A     | 696146     | Kit-Carburetor<br>Overhaul<br>(Nikki Carburetor) |          |            |  |

★ Included in Engine Gasket Set-Ref. No.358.

● Included in Carburetor Overhaul Kit-Ref. No. 121.

◆ Included in Carburetor Gasket Set-Ref. No. 977.

Δ Included in Valve Gasket Set-Ref. No 1095.

*Illustrations cover a range of engines. Parts shown without corresponding text may not be used on your specific engine.*

## 20A100

| REF. NO. | PART NO. | DESCRIPTION                        | REF. NO. | PART NO. | DESCRIPTION   | REF. NO. | PART NO. | DESCRIPTION   |
|----------|----------|------------------------------------|----------|----------|---|----------|----------|---|
| 300      | 699222   | Muffler                            | 562      | 691119   | Bolt<br>(Governor Control Lever)                                      | 798      | 697890   | Screw<br>(Rocker Arm)   |
| 300A     | 699211   | Muffler                            |          |          |   | 832      | 699223   | Guard Muffler   |
| 304      | 791479   | Housing-Blower                     | 564      | 790282   | Screw<br>(Control Cover)  | 836      | 691003   | Screw<br>(Muffler Guard)  |
| 305      | 691108   | Screw<br>(Blower Housing)          | 578      | 790481   | Wire Assembly   | 847      | 790476   | Dipstick/Tube<br>Assembly   |
| 306      | 697240   | Shield-Cylinder                    | 592      | 690800   | Nut<br>(Rewind Starter)   | 847A     | 695342   | Dipstick/Tube<br>Assembly   |
| 307      | 691660   | Screw<br>(Cylinder Shield)         | 597      | 691696   | Screw<br>(Pawl Friction Plate)  | 853      | 790455   | Adapter-Wire  |
| 309      | 698112   | Motor-Starter                      | 601      | 95162    | Clamp-Hose  | 868      | 690968   | Seal-Valve  |
| 332      | 694685   | Nut<br>(Flywheel)                  | 604A     | 696758   | Cover-Control   | 877A     | 394251   | Wire/Connector-<br>Alternator   |
| 333      | 715231   | Armature-Magneto                   | 604B     | 790473   | Cover-Control   |          |          |   |
| 334      | 691061   | Screw<br>(Magneto Armature)        | 608A     | 699335   | Starter-Rewind  |          |          |   |
| 337      | 491055   | Plug-Spark                         | 613      | 695312   | Screw<br>(Muffler)  | 878      | 710417   | Harness-Alternator  |
|          |          | ----- Note -----                   | 613B     | 696705   | Screw<br>(Muffler)  | 883      | 695398   | Gasket-Exhaust  |
|          |          | 691043 Plug-Spark                  | 615      | 694676   | Retainer-Governor<br>Shaft  | 914      | 693732   | Screw<br>(Rocker Cover)   |
|          |          | Used on Type No(s).<br>0363, 0537. | 616      | 694675   | Crank-Governor  | 930      | 696709   | Guard-Rewind  |
| 356      | 692603   | Wire-Stop                          | 621      | 698338   | Switch-Stop   | 957A     | 694261   | Cap-Fuel Tank<br>(Plastic)  |
| 358      | 695438   | Gasket Set-Engine                  | 632      | 695917   | Spring/Link-<br>Mechanical Governor<br>(Use With Nikki<br>Carburetor) | 958      | 698180   | Valve-Fuel Shut Off<br>(Plastic)  |
| 363      | 19203    | Puller-Flywheel                    | 633B     | ◆690998  | Seal-Choke/Throttle<br>Shaft  | 972A     | 694260   | Tank-Fuel<br>(Plastic)  |
| 369      | 695422   | Spring-Float Bowl                  | 635      | 710901   | Boot-Spark Plug<br>(Alternator)                                       | 975A     | 696138   | Bowl-Float  |
| 383      | 19374    | Wrench-Spark Plug                  | 689      | 691855   | Spring-Friction   | 976      | 695750   | Primer-Carburetor   |
| 415      | 691363   | Plug                               | 697      | 698113   | Screw<br>(Drive Cap)  | 977A     | ◆696147  | Gasket Set-Carburetor<br>(Use With Nikki<br>Carburetor)                                     |
| 455      | 697226   | Cup-Flywheel                       | 718      | 690959   | Pin-Locating<br>(Cylinder)  | 998A     | 696683   | Pipe-Oil  |
| 456      | 692299   | Plate-Pawl Friction                | 718A     | 695178   | Pin-Locating<br>(Head)  | 1005     | 694684   | Fan-Flywheel  |
| 459      | 281505   | Pawl-Ratchet                       | 725      | 696756   | Shield-Heat   | 1019     | 790459   | Kit-Label   |
| 472      | 790472   | Knob-Choke Shaft                   | 727      | 697465   | Cover-Starter Drive   | 1022     | ★△690971 | Gasket-Rocker Cover   |
| 474A     | 695730   | Alternator                         | 731B     | 790470   | Hood-Snow   | 1023A    | 698042   | Cover-Rocker  |
| 505      | 691251   | Nut<br>(Governor Control<br>Lever) | 731C     | 790454   | Hood-Snow   | 1026     | 695177   | Rod-Push  |
| 514      | 696692   | Nut<br>(Casing Clamp)              | 732      | 691097   | Screw<br>(Starter Drive Cover)  | 1029     | 690972   | Arm-Rocker  |
| 523      | 790477   | Dipstick                           | 741      | 691288   | Gear-Timing   | 1036     |          | Label-Emissions<br>(Available from an<br>Authorized Briggs &<br>Stratton Service<br>Dealer) |
| 523A     | 695344   | Dipstick                           | 742      | 692564   | Retainer-E Ring   | 1058     | 276355   | Operator's Manual   |
| 524      | 691876   | Seal-Dipstick Tube                 | 746      | 694679   | Gear-Idler  | 1070     | 691058   | Screw<br>(Flywheel Fan)   |
| 525      | 790478   | Tube-Dipstick                      | 773      | 694258   | Retainer  |          |          |   |
| 525A     | 695343   | Tube-Dipstick                      |          |          |   |          |          |   |
| 528      | 696751   | Hose-Primer                        |          |          |   |          |          |   |
| 529      | 791822   | Grommet                            |          |          |   |          |          |   |
| 552      | 694674   | Bushing-Governor<br>Crank          |          |          |   |          |          |   |

★ Included in Engine Gasket Set-Ref. No.358.

● Included in Carburetor Overhaul Kit-Ref. No. 121.

◆ Included in Carburetor Gasket Set-Ref. No. 977.

△ Included in Valve Gasket Set-Ref. No 1095.

*Illustrations cover a range of engines. Parts shown without corresponding text may not be used on your specific engine.*

3417-10

Assemblies include all parts shown in frames.

12/08/2005

**20A100**

| REF. NO. | PART NO. | DESCRIPTION            | REF. NO. | PART NO. | DESCRIPTION                           | REF. NO. | PART NO. | DESCRIPTION                |
|----------|----------|------------------------|----------|----------|---------------------------------------|----------|----------|----------------------------|
| 1095     | 695440   | Gasket Set-Valve       | 1196     | 696692   | Screw<br>(Snow Hood)                  | 1251     | 282921   | Shield-Snow                |
| 1100     | 690973   | Pivot-Rocker Arm       |          |          |                                       | 1251A    | 696762   | Shield-Snow                |
| 1119     | 691183   | Screw<br>(Alternator)  | 1210     | 498144   | Pulley/Spring<br>Assembly<br>(Pulley) | 1252     | 691108   | Screw<br>(Snow Shield)     |
| 1127A    | 695407   | Screw<br>(Float Bowl)  |          |          |                                       | 1288     | 696757   | Nut<br>(Snow Hood)         |
| 1171     | 696754   | Stud<br>(Rocker Cover) | 1211     | 498144   | Pulley/Spring<br>Assembly<br>(Spring) | 1318     | 698111   | Knob-Snow Hood             |
| 1194     | 691876   | Seal-O Ring<br>(Plug)  | 1230     | 696747   | Stud<br>(Control Bracket)             | 1351     | 790017   | Stud<br>(Cylinder Shield)  |
|          |          |                        |          |          |                                       | 1352     | 790026   | Nut<br>(Spark Plug Shield) |

★ Included in Engine Gasket Set-Ref. No.358.

● Included in Carburetor Overhaul Kit-Ref. No. 121.

◆ Included in Carburetor Gasket Set-Ref. No. 977.

△ Included in Valve Gasket Set-Ref. No 1095.

*Illustrations cover a range of engines. Parts shown without corresponding text may not be used on your specific engine.*