



Illustrated Parts List

Model Series

206400

TYPE NUMBERS
0035 through 0123.

TABLE OF CONTENTS

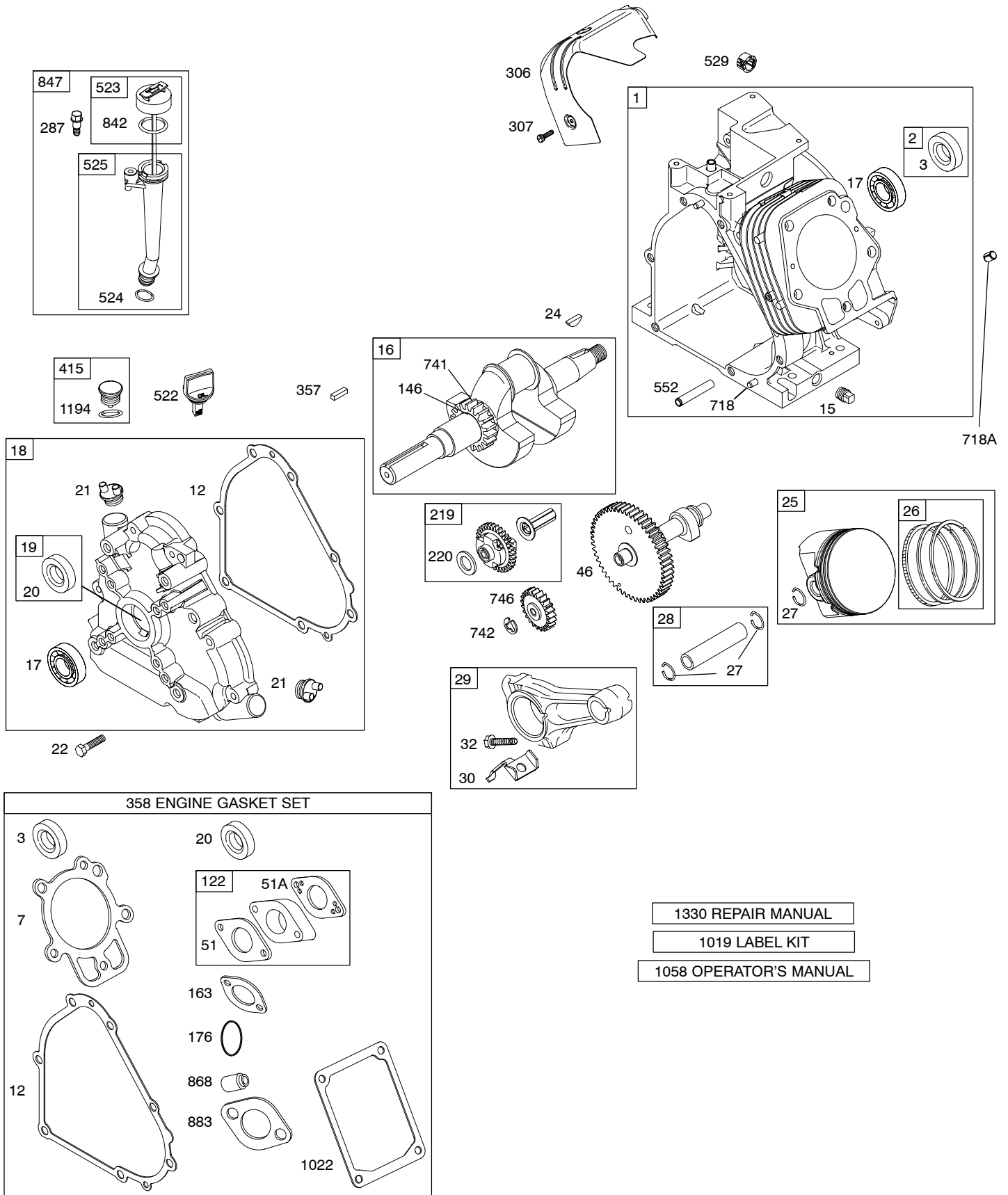
Air Cleaner	6
Alternator	10
Blower Housing/Shrouds	7
Camshaft	2
Carburetor (Walbro)	4
Carburetor (Nikki)	5
Controls	8
Crankcase Cover	2
Crankshaft	2
Cylinder	2
Cylinder Head	3
Electric Starter	9
Exhaust System	6
Flywheel	7
Fuel Supply	9
Gear Reduction	9
Governor Spring	8
Ignition	10
Kit/Gasket Sets-Carburetor (Nikki) ...	5
Kit/Gasket Sets-Carburetor (Walbro) .	4
Kit/Gasket Sets-Engine	2
Kit/Gasket Sets-Valve	3
Lubrication	2
Piston, Rings, Connecting Rod	2
Rewind Starter	7
Valves	3

PRINTED IN U.S.A.



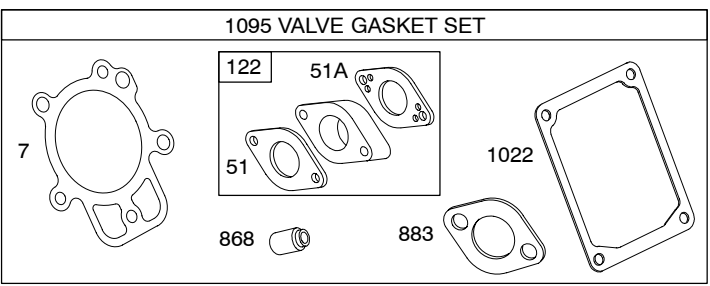
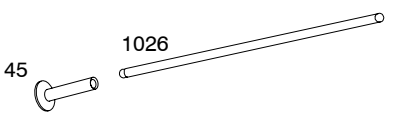
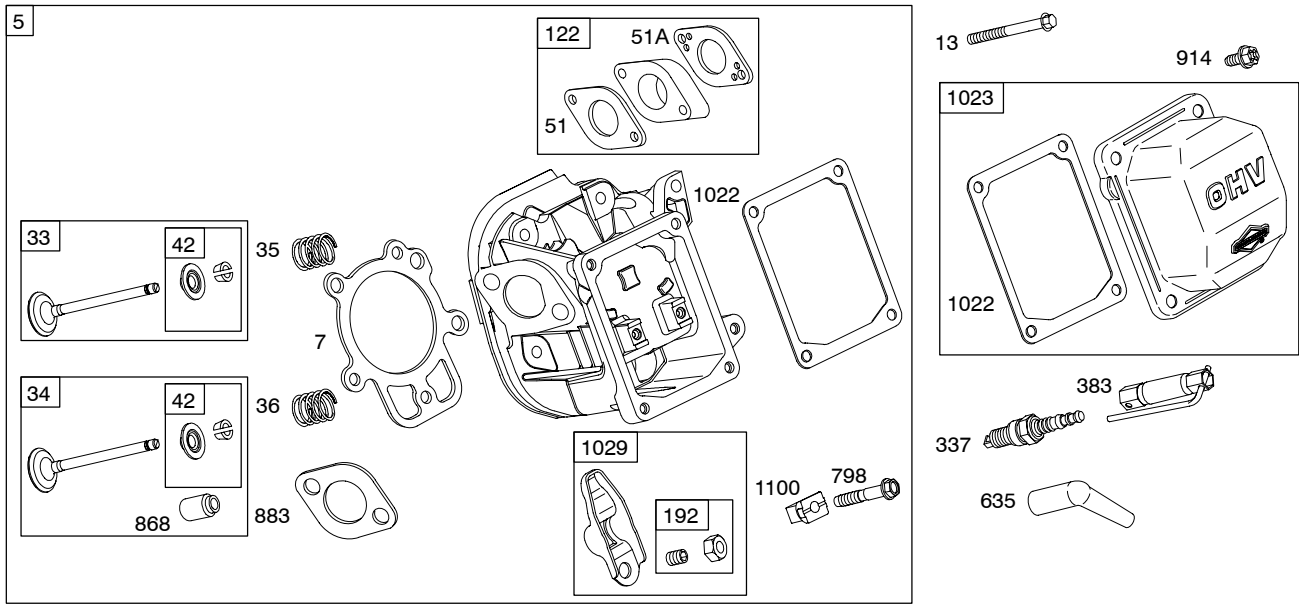
COPYRIGHT by BRIGGS & STRATTON CORPORATION
All rights reserved. No part of this material may be reproduced or transmitted, in any form or by any means, electronic or mechanical, including photocopying, recording or by any information storage and retrieval system, without permission in writing from Briggs & Stratton Corporation.

206400



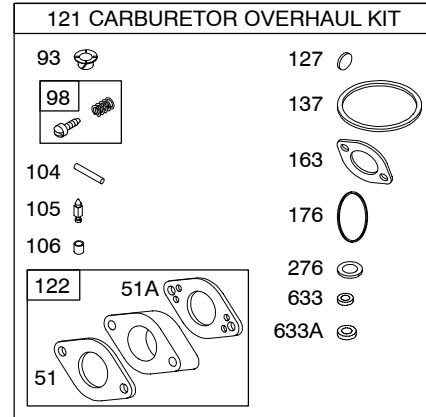
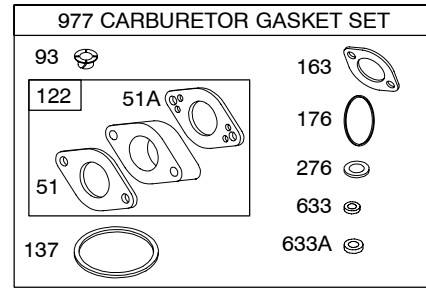
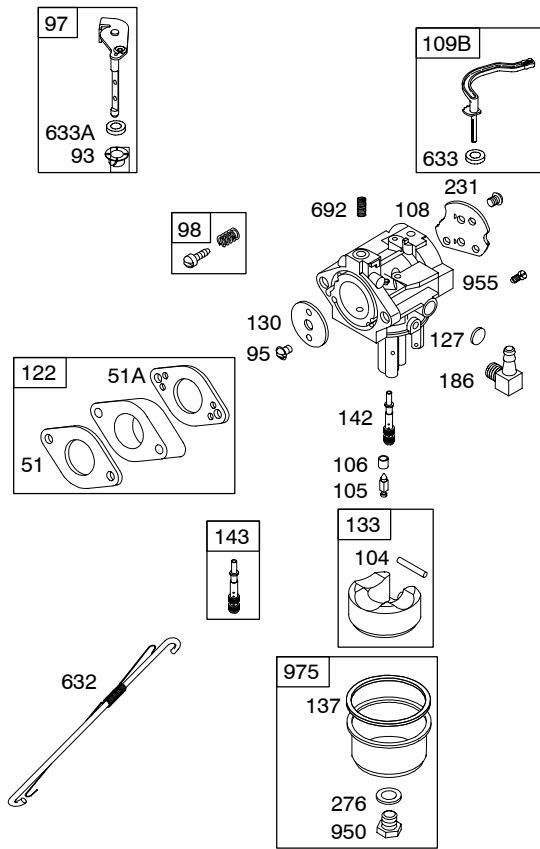
- 1330 REPAIR MANUAL
- 1019 LABEL KIT
- 1058 OPERATOR'S MANUAL

Illustrations cover a range of engines. Parts shown without corresponding text are not used on this engine.
 6451-2 Assemblies include all parts shown in frames. 07/12/2005

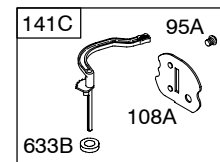


6451-3 *Illustrations cover a range of engines. Parts shown without corresponding text are not used on this engine.* Assemblies include all parts shown in frames. 07/12/2005

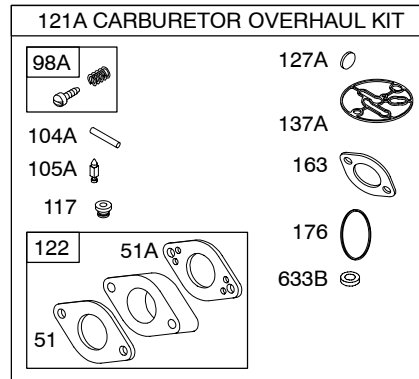
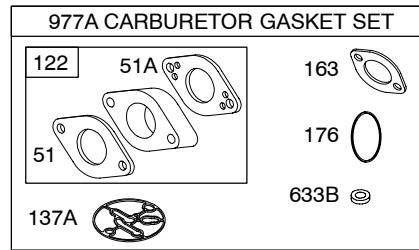
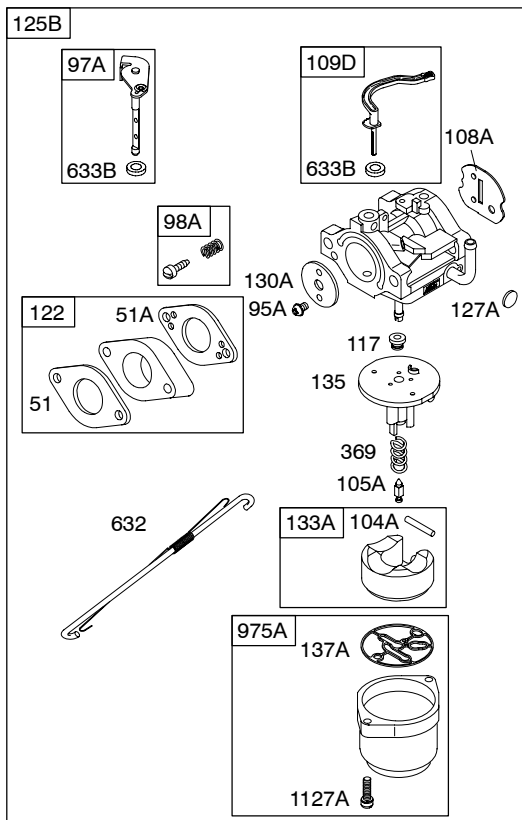
206400



WALBORO



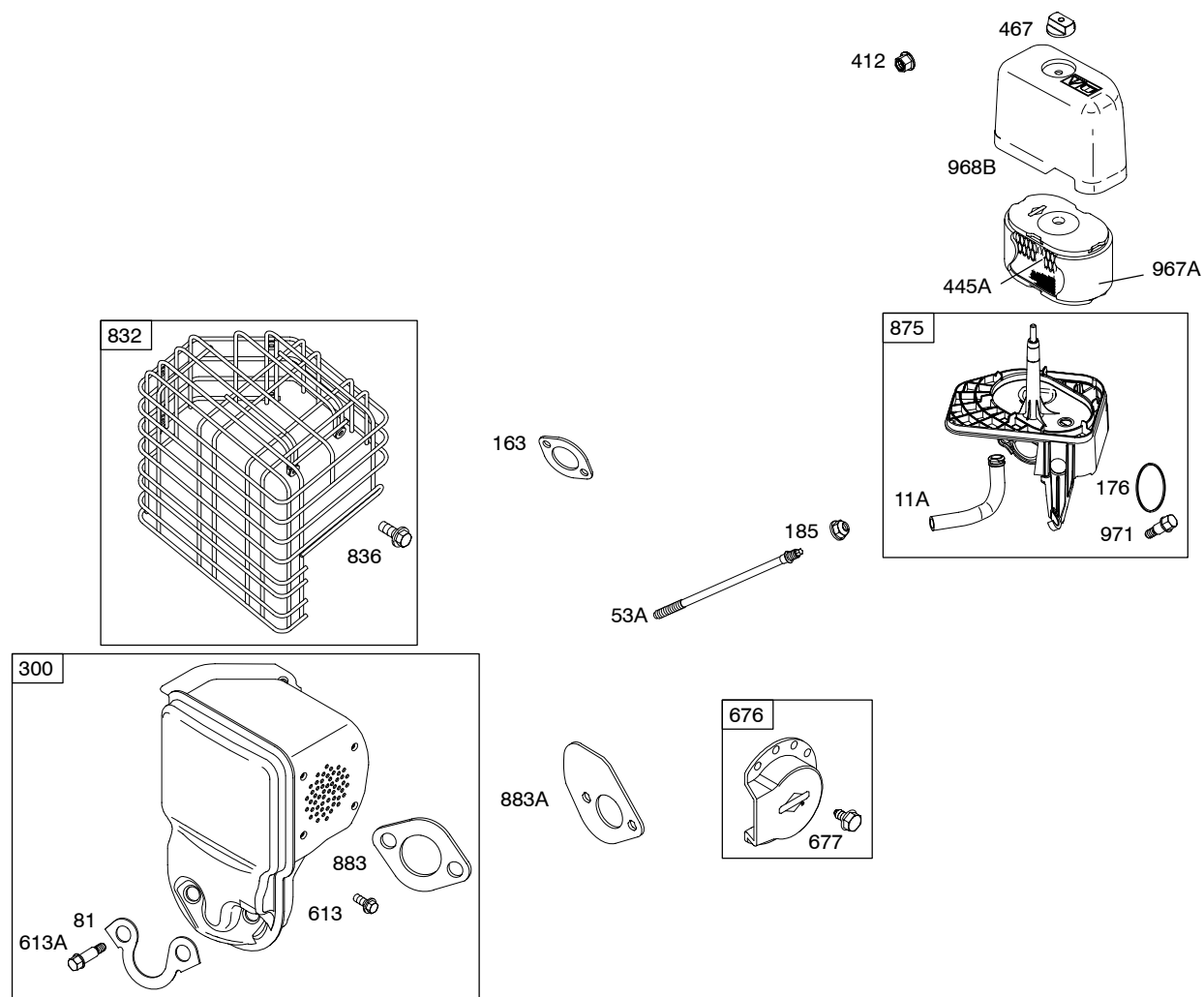
Illustrations cover a range of engines. Parts shown without corresponding text are not used on this engine.



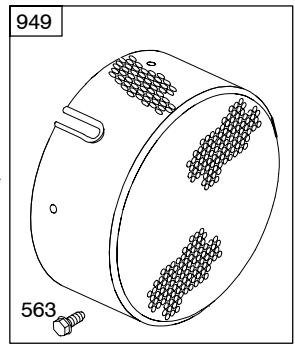
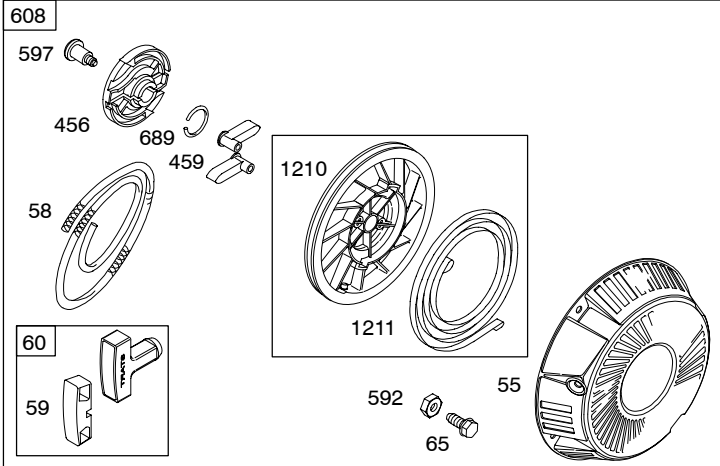
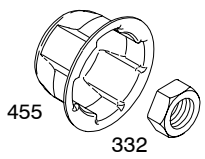
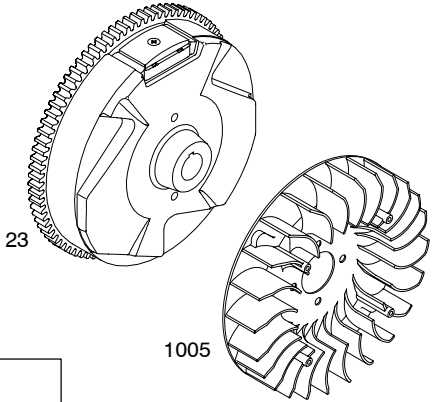
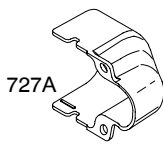
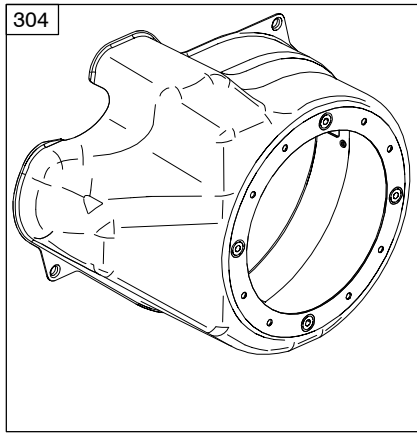
NIKKI

Illustrations cover a range of engines. Parts shown without corresponding text are not used on this engine.

206400

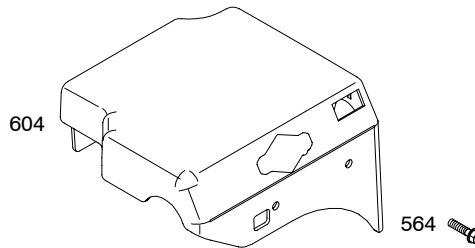
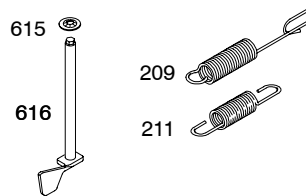
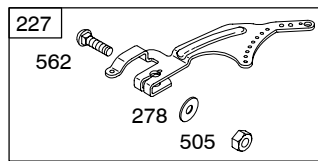
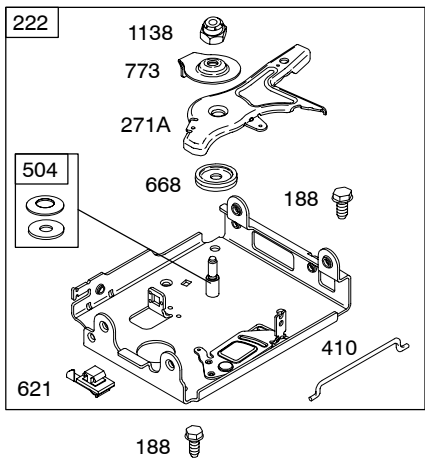
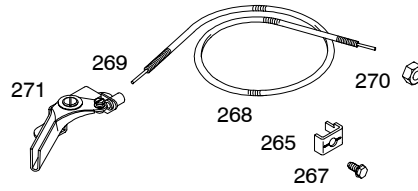
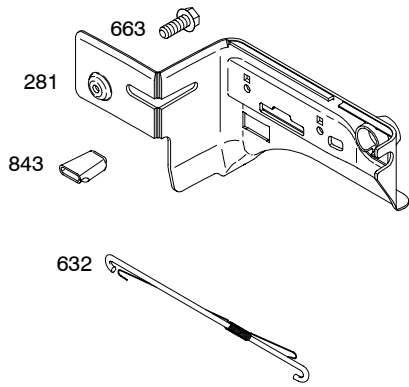


1036 EMISSION LABEL

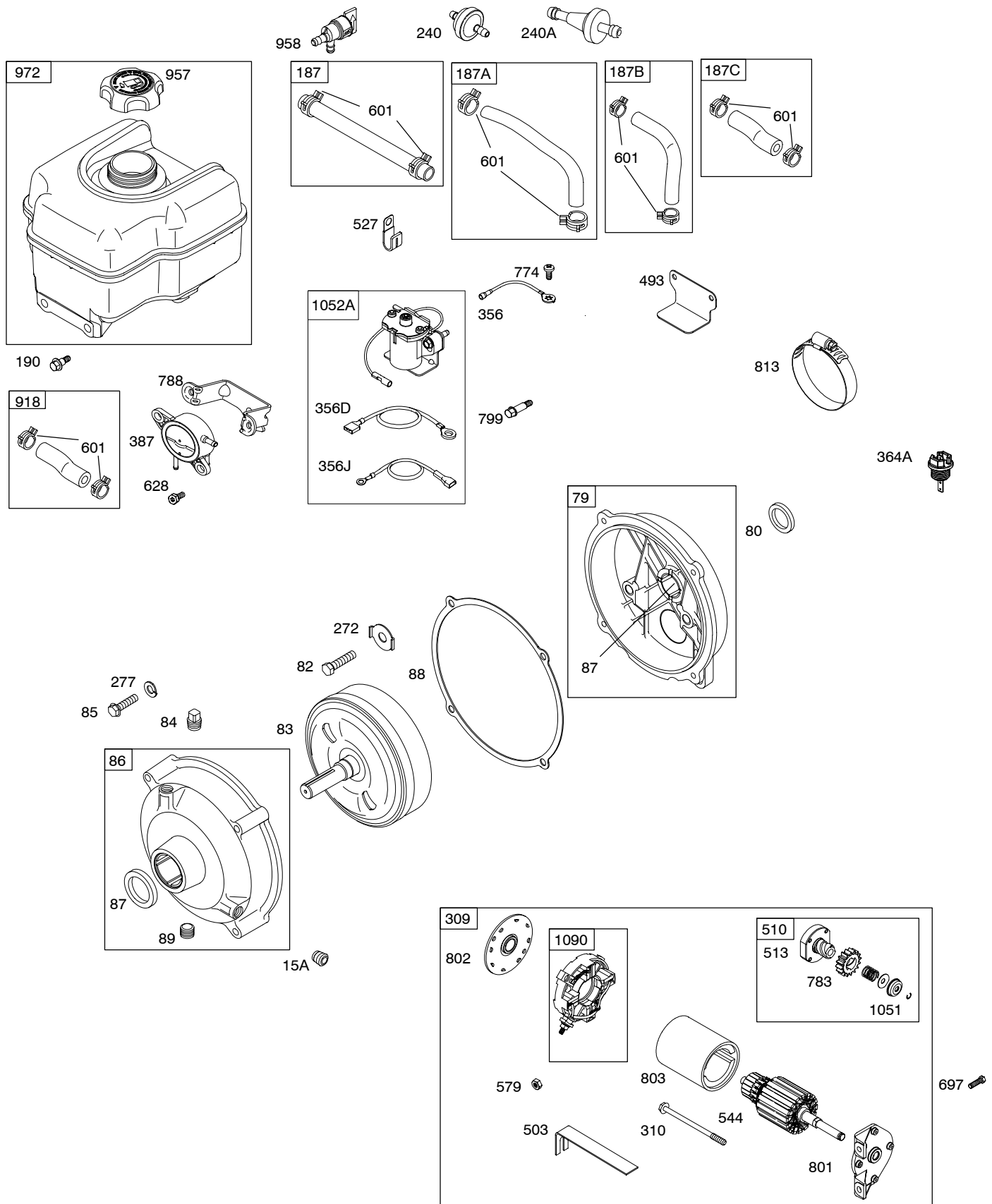


Illustrations cover a range of engines. Parts shown without corresponding text are not used on this engine.
6451-7 Assemblies include all parts shown in frames. 07/12/2005

206400

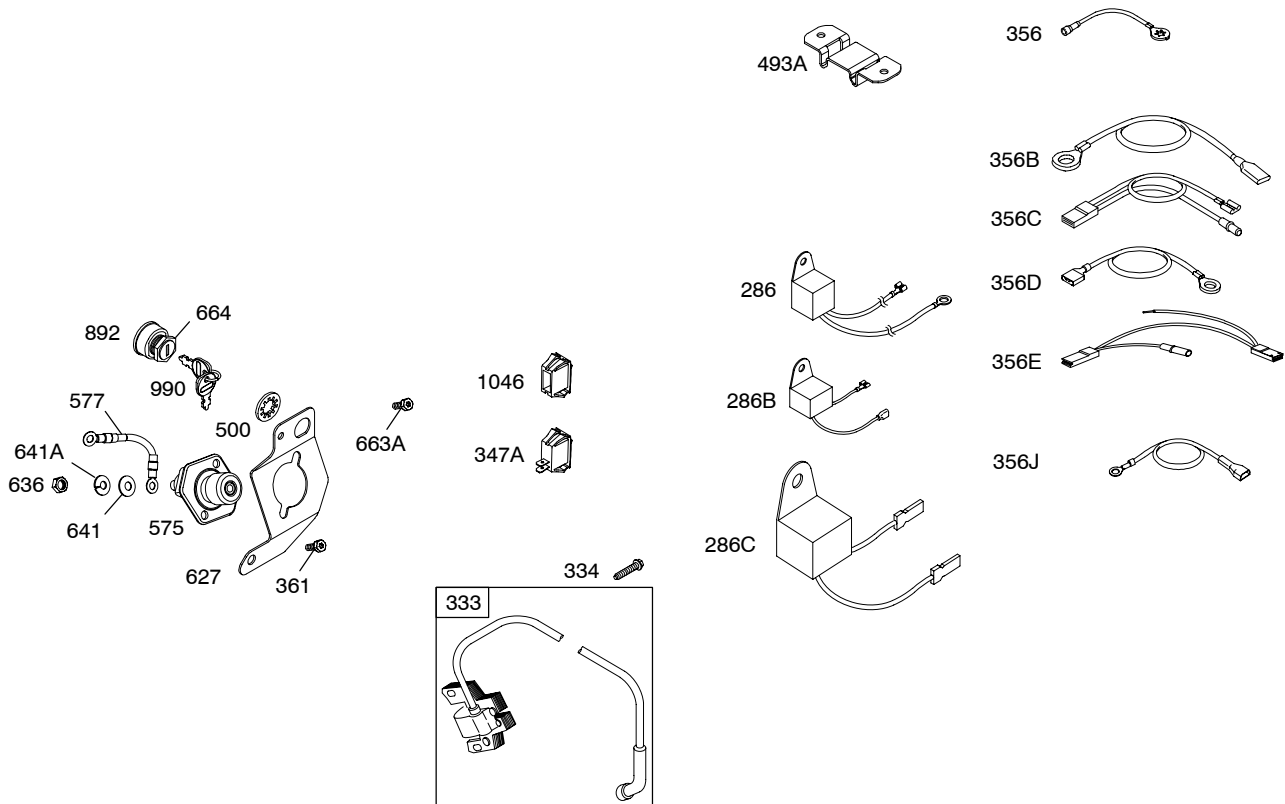
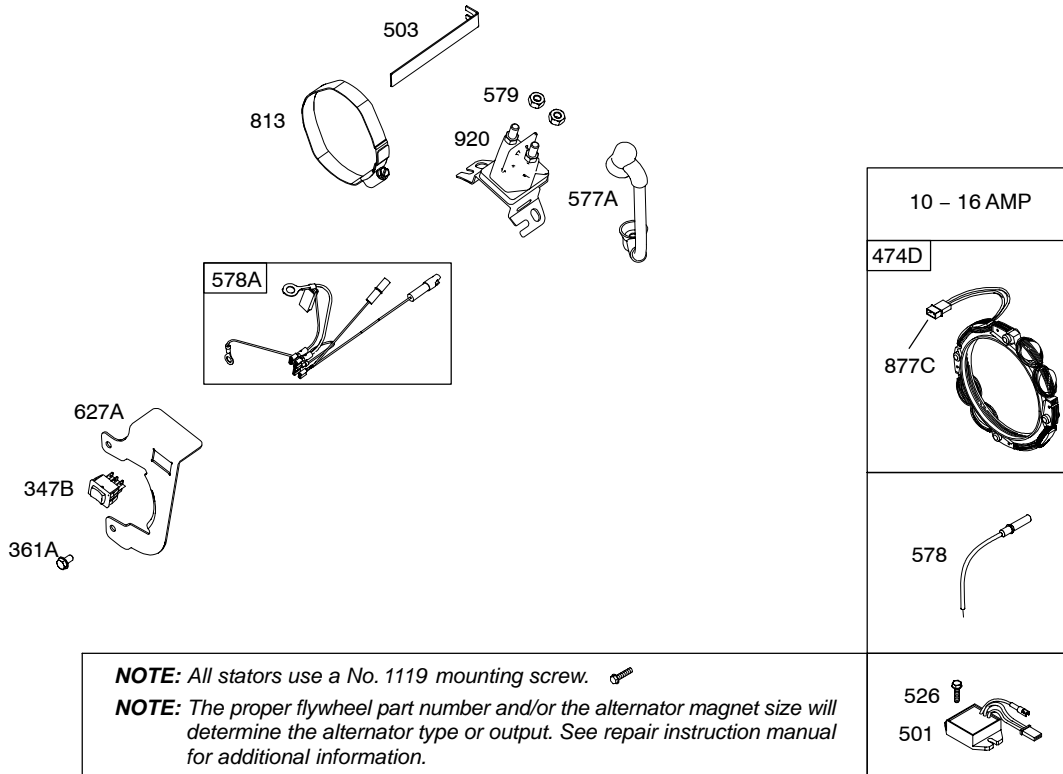


6451-8 *Illustrations cover a range of engines. Parts shown without corresponding text are not used on this engine.* Assemblies include all parts shown in frames. 07/12/2005



Illustrations cover a range of engines. Parts shown without corresponding text are not used on this engine.

206400



Illustrations cover a range of engines. Parts shown without corresponding text are not used on this engine.
 6451-10 Assemblies include all parts shown in frames. 07/12/2005

206400

REF. NO.	PART NO.	DESCRIPTION	REF. NO.	PART NO.	DESCRIPTION	REF. NO.	PART NO.	DESCRIPTION
1	694673	Cylinder Assembly	23	694954	Flywheel	59	805957	Insert-Grip
2	698340	Kit-Bushing/Seal (Magneto Side)			----- Note -----	60	490652	Grip-Starter Rope
3	★391086	Seal-Oil (Magneto Side)			695485 Flywheel Used on Type No(s). 0041, 0112, 0115, 0117, 0118, 0119, 0122, 0123.	65	690759	Screw (Rewind Starter)
5	697233	Head-Cylinder (Used After Code Date 01102800) ----- Note -----	24	222698	Key-Flywheel	79	690614	Case-Gear Reduction
		698040 Head-Cylinder (Used Before Code Date 01102900)	25	792117	Piston Assembly (Standard) ----- Note -----	80	691603	Gasket-Gear Case
7	★△694872	Gasket-Cylinder Head			792144 Piston Assembly (.020" Oversize)	81	695400	Lock-Muffler Screw
11A	695305	Tube-Breather	26	792026	Ring Set (Standard) (Used After Code Date 05081000)	82	690287	Screw (Gear Reduction Case)
12	★694953	Gasket-Crankcase			694004 Ring Set (Used Before Code Date 05081100) ----- Note -----	83	690387	Shaft-Auxiliary Drive
13	690360	Screw (Cylinder Head)			792073 Ring Set (.020" Oversize) (Used After Code Date 05081000)	84	691121	Plug-Breather
15	691686	Plug-Oil Drain			694008 Ring Set (.020" Oversize) (Used Before Code Date 05081100) ----- Note -----	85	691076	Screw (Gear Cover to Gear Reduction Case)
15A	691682	Plug-Oil Drain			694008 Ring Set (.020" Oversize) (Used Before Code Date 05081100)	86	690613	Cover-Gear
16	695462	Crankshaft ----- Note -----			694008 Ring Set (.020" Oversize) (Used Before Code Date 05081100)	87	391086	Seal-Gear Reduction
		695817 Crankshaft Used on Type No(s). 0049, 0115, 0117, 0124.			694008 Ring Set (.020" Oversize) (Used Before Code Date 05081100)	88	691601	Gasket-Gear Reduction Cover
		695818 Crankshaft Used on Type No(s). 0035, 0120.			694008 Ring Set (.020" Oversize) (Used Before Code Date 05081100)	89	690283	Plug-Oil
17	695434	Bearing-Ball			792073 Ring Set (.020" Oversize) (Used After Code Date 05081000)	93	◆690602	Bushing-Throttle Shaft
18	695372	Cover-Crankcase ----- Note -----	27	690975	Lock-Piston Pin	95	691636	Screw (Throttle Valve)
		696914 Cover-Crankcase Used on Type No(s). 0049, 0115, 0117, 0118, 0124.	28	696581	Pin-Piston	95A	690718	Screw (Throttle Valve)
19	698340	Kit-Bushing/Seal (PTO Side)	29	694691	Rod-Connecting	97	695325	Shaft-Throttle (Walbro)
20	★391086	Seal-Oil (PTO Side)	30	694692	Dipper-Connecting Rod	97A	696140	Shaft-Throttle ----- Note -----
21	281658	Cap-Oil Fill	32	690976	Screw (Connecting Rod)			696387 Shaft-Throttle Used on Type No(s). 0115.
22	695174	Screw (Crankcase Cover/Sump)	33	499596	Valve-Exhaust	98	◆495800	Kit-Idle Speed
			34	697464	Valve-Intake	98A	◆695408	Kit-Idle Speed
			35	694865	Spring-Valve (Intake)	104	◆690525	Pin-Float Hinge
			36	694865	Spring-Valve (Exhaust)	104A	◆694918	Pin-Float Hinge
			42	499586	Keeper-Valve	105	◆691782	Valve-Float Needle
			45	690977	Tappet-Valve	105A	◆696136	Valve-Float Needle
			46	790496	Camshaft	106	◆690577	Seat-Inlet
			51	△◆694874	Gasket-Intake	108	691227	Valve-Choke
			51A	△◆694875	Gasket-Intake	108A	696143	Valve-Choke
			53A	695433	Stud (Carburetor)	109B	695329	Shaft-Choke
			55	695288	Housing-Rewind Starter	109D	696144	Shaft-Choke
			58	693389	Rope-Starter (Cut To Required Length)			

★ Included in Engine Gasket Set-Ref. No.358.

● Included in Carburetor Overhaul Kit-Ref. No. 121.

◆ Included in Carburetor Gasket Set-Ref. No. 977.

△ Included in Valve Gasket Set-Ref. No 1095.

Illustrations cover a range of engines. Parts shown without corresponding text may not be used on your specific engine.

206400

REF. NO.	PART NO.	DESCRIPTION	REF. NO.	PART NO.	DESCRIPTION	REF. NO.	PART NO.	DESCRIPTION
117	●696134	Jet-Main (Standard)	187	791766	Line-Fuel (Cut To Required Length)	209	694867	Spring-Governor
118	696135	Jet-Main (High Altitude)			(Used After Code Date 05063000)	211	695307	Spring-Governed Idle
121	695441	Kit-Carburetor Overhaul (Use With Walbro Carburetor)			----- Note -----	219	693578	Gear-Governor
121A	696146	Kit-Carburetor Overhaul			691050 Line-Fuel (Used Before Code Date 05070100)	220	691724	Washer (Governor Gear)
122*Δ●	694876	Spacer-Carburetor			791745 Line-Fuel Used on Type No(s). 0119.	222	695380	Bracket-Control
125B	695920	Carburetor ----- Note -----			(Used After Code Date 05063000)	227	694864	Lever-Governor Control
		698785 Carburetor Used on Type No(s). 0119.			296004 Line-Fuel Used on Type No(s). 0119.	231	691636	Screw (Choke Valve)
127	●694524	Plug-Welch			(Used Before Code Date 05070100)	240	691035	Filter-Fuel Used on Type No(s). 0119.
127A	●690727	Plug-Welch			695429 Line-Fuel (Used Before Code Date 05070100)	240A	694485	Filter-Fuel
130	690468	Valve-Throttle	187A	791869	Line-Fuel (Used After Code Date 05063000)	265	691024	Clamp-Casing
130A	696139	Valve-Throttle			----- Note -----	267	692577	Screw (Casing Clamp)
133	494381	Float-Carburetor			695482 Line-Fuel (Used Before Code Date 05070100)	268	691025	Casing-Control Wire (Cut To Required Length)
133A	694914	Float-Carburetor	187B	791834	Line-Fuel (Used After Code Date 05063000)	269	691026	Wire-Control (Cut To Required Length)
135	696142	Tube-Fuel Transfer			----- Note -----	270	691027	Nut (Control Wire Casing)
137	●◆281165	Gasket-Float Bowl			695483 Line-Fuel (Used Before Code Date 05070100)	271	691028	Lever-Control
137A	●◆695426	Gasket-Float Bowl			----- Note -----	271A	695381	Lever-Control
141C	696144	Kit-Choke Shaft	187C	791871	Line-Fuel (Used After Code Date 05063000)	272	691168	Lock-Screw Head
142	695528	Nozzle-Carburetor (Standard)			695482 Line-Fuel (Used Before Code Date 05070100)	276	●◆692255	Washer-Sealing
143	695529	Nozzle-Carburetor (High Altitude)			----- Note -----	277	691075	Washer (Gear Case To Gear Reduction)
146	690979	Key-Timing			695483 Line-Fuel (Used Before Code Date 05070100)	278	792008	Washer (Governor Control Lever)
163*●◆	693458	Gasket-Air Cleaner Used on Type No(s). 0115.			----- Note -----	281	697268	Panel-Control (Used After Code Date 01102800)
176*●◆	691917	Seal-O Ring (Air Cleaner Base)			695483 Line-Fuel (Used Before Code Date 05070100)			----- Note -----
185	690958	Nut (Air Cleaner Base)	188	690877	Screw (Control Bracket)			695294 Panel-Control (Used Before Code Date 01102900)
186	692317	Connector-Hose (90 Degree) ----- Note -----	190	692127	Screw (Fuel Tank)			
		691764 Connector-Hose (Straight) Used on Type No(s). 0119.	192	690083	Adjuster-Rocker Arm			

* Included in Engine Gasket Set-Ref. No.358.

● Included in Carburetor Overhaul Kit-Ref. No. 121.

◆ Included in Carburetor Gasket Set-Ref. No. 977.

Δ Included in Valve Gasket Set-Ref. No 1095.

Illustrations cover a range of engines. Parts shown without corresponding text may not be used on your specific engine.

206400

REF. NO.	PART NO.	DESCRIPTION	REF. NO.	PART NO.	DESCRIPTION	REF. NO.	PART NO.	DESCRIPTION
286	695186	Module–Oil Sensor (Used After Code Date 01100900 and Before Code Date 03010600). Used on Type No(s). 0035, 0036, 0049, 0100, 0112, 0115, 0117. ----- Note ----- 695186 Module–Oil Sensor (Used Before Code Date 01110800) Used on Type No(s). 0035, 0036, 0049, 0100.	300	697252	Muffler (Used After Code Date 02012000) ----- Note ----- 695311 Muffler (Used Before Code Date 02012100)	347A	697854	Switch–Rocker Used on Type No(s). 0035, 0036, 0049, 0100, 0112, 0115, 0120, 0121, 0123, 0124, 0125.
286B	696058	Module–Oil Sensor (Electric Start) (Used Before Code Date 03072200) Used on Type No(s). 0112, 0115. ----- Note ----- 696058 Module–Oil Sensor (Used Before Code Date 03010600). Used on Type No(s). 0041, 0118.	304	791479	Housing–Blower (Used After Code Date 01102800) ----- Note ----- 696476 Housing–Blower (Used Before Code Date 01102900)	347B	790949	Switch–Rocker
286C	699952	Module–Oil Sensor (Used After Code Date 03010700) Used on Type No(s). 0041, 0118, 0122, 0123. 699951 Module–Oil Sensor (Used After Code Date 03072300) Used on Type No(s). 0035, 0036, 0049, 0100, 0112, 0115, 0117, 0120, 0121, 0125.	305	691108	Screw (Blower Housing)	356	692603	Wire–Stop
287	691693	Screw (Dipstick Tube)	306	697240	Shield–Cylinder (Used After Code Date 01102800) ----- Note ----- 694677 Shield–Cylinder (Used Before Code Date 01102900)	356B	699340	Wire–Stop Used on Type No(s). 0119.
			307	691660	Screw (Cylinder Shield)	356C	695295	Wire–Stop
			309	695479	Motor–Starter Used on Type No(s). 0041, 0112, 0115, 0118, 0119, 0122, 0123.	356D	695366	Wire–Stop (Used Before Code Date 03072400) Used on Type No(s). 0035, 0036, 0049, 0100, 0112, 0115, 0117, 0124, 0125.
			310	690323	Screw (Starter Motor)	356E	696328	Wire–Stop Used on Type No(s). 0041, 0118, 0122.
			332	694685	Nut (Flywheel)	356F	696482	Wire–Stop Used on Type No(s). 0123.
			333	715231	Armature–Magneto	356J	699994	Wire–Stop (Used After Code Date 03072300) Used on Type No(s). 0035, 0036, 0049, 0100, 0112, 0115, 0117, 0124, 0125.
			334	691061	Screw (Magneto Armature)	357	691483	Key–Drive Pully
			337	491055	Plug–Spark ----- Note ----- 691043 Plug–Spark Used on Type No(s). 0123, 0125.	358	695438	Gasket Set–Engine
						361	691681	Screw (Starting Switch)
						361A	690297	Screw (Starting Switch)

★ Included in Engine Gasket Set–Ref. No.358.

● Included in Carburetor Overhaul Kit–Ref. No. 121.

◆ Included in Carburetor Gasket Set–Ref. No. 977.

△ Included in Valve Gasket Set–Ref. No 1095.

Illustrations cover a range of engines. Parts shown without corresponding text may not be used on your specific engine.

206400

REF. NO.	PART NO.	DESCRIPTION	REF. NO.	PART NO.	DESCRIPTION	REF. NO.	PART NO.	DESCRIPTION
364	695365	Terminal–Oil Plug (Used Before Code Date 03082900) Used on Type No(s). 0041, 0118. ----- Note ----- 695365 Terminal–Oil Plug (Used Before Code Date 03072400) Used on Type No(s). 0035, 0036, 0049, 0100, 0112, 0115, 0117.	459	281505	Pawl–Ratchet	564	692198	Screw (Control Cover)
364A	699947	Terminal–Oil Plug (Used After Code Date 03082800) Used on Type No(s). 0041, 0118, 0122, 0123. ----- Note ----- 699947 Terminal–Oil Plug (Used After Code Date 03072300) Used on Type No(s). 0035, 0036, 0049, 0100, 0112, 0115, 0117, 0120, 0121, 0124, 0125.	467	691668	Knob–Air Cleaner	575	692303	Switch–Starting Used on Type No(s). 0041, 0118, 0122, 0123.
369	695422	Spring–Float Bowl	474D	695466	Alternator (10 Amp Regulator) Used on Type No(s). 0041, 0112, 0117, 0118, 0119, 0122, 0123.	577	690630	Cable–Starter Used on Type No(s). 0041, 0118, 0122, 0123.
383	19374	Wrench–Spark Plug	493	694861	Bracket–Mounting	577A	690795	Cable–Starter
387	808656	Pump–Fuel	493A	691177	Bracket–Mounting Used on Type No(s). 0041, 0112, 0118, 0119, 0122, 0123.	578	692306	Wire Assembly Used on Type No(s). 0035, 0036, 0049, 0100, 0112, 0120, 0121, 0123, 0124.
410	695382	Link–Control	493B	699075	Bracket–Mounting (Debris Guard)	578A	790948	Wire Assembly
412	690958	Nut (Air Cleaner Cover) Used on Type No(s). 0115.	500	691086	Washer (Key Switch)	579	691029	Nut (Starter Cable)
415	691363	Plug	501	691185	Regulator	592	690800	Nut (Rewind Starter)
445A	695302	Filter–Air Cleaner Cartridge	503	691532	Strap–Starter	597	691696	Screw (Pawl Friction Plate)
455	694683	Cup–Flywheel	504	695383	Washer Set–Friction	601	95162	Clamp–Hose
456	692299	Plate–Pawl Friction	505	691251	Nut (Governor Control Lever)	604	699066	Cover–Control
			510	693699	Drive–Starter	608	695287	Starter–Rewind
			513	692024	Clutch–Drive	613	695312	Screw (Muffler)
			522	697689	Plug (Dipstick/Fill)	613A	695399	Screw (Muffler)
			523	695344	Dipstick	615	694676	Retainer–Governor Shaft
			524	691876	Seal–Dipstick Tube	616	694675	Crank–Governor
			525	695343	Tube–Dipstick	621	692310	Switch–Stop
			526	690297	Screw (Regulator) Used on Type No(s). 0041, 0112, 0118, 0119, 0122, 0123.	627	696064	Bracket–Stopswitch
			527	698467	Clamp–Fuel	627A	790952	Bracket–Stopswitch
			529	791822	Grommet	628	690297	Screw (Fuel Pump Bracket)
			544	692034	Armature–Starter	632	694868	Link–Throttle (Used With Walbro Carburetors)
			552	694674	Bushing–Governor Crank			----- Note ----- 695917 Link–Throttle (Use With Nikki Carburetor)
			562	691119	Bolt (Governor Control Lever)			
			563	695449	Screw (Debris–Guard)			

★ Included in Engine Gasket Set–Ref. No.358.

● Included in Carburetor Overhaul Kit–Ref. No. 121.

◆ Included in Carburetor Gasket Set–Ref. No. 977.

△ Included in Valve Gasket Set–Ref. No 1095.

Illustrations cover a range of engines. Parts shown without corresponding text may not be used on your specific engine.

206400

REF. NO.	PART NO.	DESCRIPTION	REF. NO.	PART NO.	DESCRIPTION	REF. NO.	PART NO.	DESCRIPTION	
633	◆690597	Seal-Choke/Throttle Shaft	732	691097	Screw (Starter Drive Cover) Used on Type No(s). 0041, 0112, 0115, 0117, 0118, 0122, 0123.	847	695342	Dipstick/Tube Assembly	
633A	◆691326	Seal-Choke/Throttle Shaft	741	691288	Gear-Timing	868	690968	Seal-Valve	
633B	◆690998	Seal-Choke/Throttle Shaft	742	692564	Retainer-E Ring	875	695304	Base-Air Cleaner (Plastic)	
635	710901	Boot-Spark Plug	746	694679	Gear-Idler	877C	399916	Wire/Connector-Alternator	
636	696198	Nut (Starting Switch)	773	694258	Retainer	883	★△695398	Gasket-Exhaust (Used Before Code Date 02012000)	
641	691075	Washer (Starting Switch)	774	695447	Screw (Stop Wire)	883A	★△697255	Gasket-Exhaust (Used After Code Date 02011900)	
641A	690282	Washer (Starting Switch)	783	693713	Gear-Pinion	892	392833	Switch-Key Used on Type No(s). 0041, 0118, 0122.	
663	692577	Screw (Control Panel)	798	697890	Screw (Rocker Arm)	914	693732	Screw (Rocker Cover)	
663A	690372	Screw (Control Panel) Used on Type No(s). 0041, 0118, 0122, 0123.	799	695446	Screw (Oil Sensor)	918	393815	Hose-Vacuum	
664	691087	Nut (Key Switch) Used on Type No(s). 0041, 0118, 0122, 0123.	----- Note -----			920	790951	Solenoid-Starter	
668	694257	Spacer (Control Bracket)	801	694482	Cap-Drive	949	790495	Guard-Debris Screen	
689	691855	Spring-Friction	802	691286	Cap-End	950	695407	Screw-Float Bowl (Walbro)	
676	393761	Deflector-Muffler	803	693757	Housing-Starter	955	695659	Plug-Carburetor (Walbro)	
677	690367	Screw (Muffler Deflector)	813	690635	Clamp	957	694261	Cap-Fuel Tank (Plastic)	
692	691301	Spring-Detent	832	695386	Guard-Muffler	958	698180	Valve-Fuel Shut Off (Plastic)	
697	690372	Screw (Drive Cap) Used on Type No(s). 0112, 0115.	836	695312	Screw (Muffler Guard) (Used After Code Date 01061000)	967A	695303	Filter-Pre Cleaner	
718	690959	Pin-Locating	----- Note -----			968B	695301	Cover-Air Cleaner	
718A	695178	Pin-Locating (Head)	842	691031	Seal-O Ring (Dipstick Tube)	971	695181	Screw (Air Cleaner Base to Carburetor)	
727A	697465	Cover-Starter Drive Used on Type No(s). 0041, 0112, 0115, 0117, 0118, 0122, 0123.	----- Note -----			972	694260	Tank-Fuel (Plastic)	
					691876	Seal-O Ring (Oil Plug)	975	495933	Bowl-Float (Walbro)
			843	695588	Sleeve-Lever	975A	696138	Bowl-Float	
						977	◆695439	Gasket Set-Carburetor (Use With Walbro Carburetor)	
						977A	◆696147	Gasket Set-Carburetor (Use With Nikki Carburetor)	

★ Included in Engine Gasket Set-Ref. No.358.

● Included in Carburetor Overhaul Kit-Ref. No. 121.

◆ Included in Carburetor Gasket Set-Ref. No. 977.

△ Included in Valve Gasket Set-Ref. No 1095.

Illustrations cover a range of engines. Parts shown without corresponding text may not be used on your specific engine.

206400

REF. NO.	PART NO.	DESCRIPTION	REF. NO.	PART NO.	DESCRIPTION	REF. NO.	PART NO.	DESCRIPTION
990	691959	Key Set	1058	275092	Manual-Operator's	1127A	695407	Screw
1005	694684	Fan-Flywheel			----- Note -----			(Float Bowl)
1019	695442	Kit-Label			MS6737 Manual-	1138	694255	Nut
1022	★△690971	Gasket-Rocker Cover			Operator's			(Control Bracket)
1023	697691	Cover-Rocker			Used on Type No(s).	1194	691876	Seal-O Ring
		0115.			0123.			(Plug)
1026	695177	Rod-Push	1070	691058	Screw	1210	498144	Pulley/Spring
1029	690972	Arm-Rocker			(Flywheel Fan)			Assembly
1036	790466	Label-Emissions	1090	691293	Retainer-Brush			(Pulley)
		(Available from an	1095	695440	Gasket Set-Valve	1211	498144	Pulley/Spring
		Authorized Briggs &	1100	690973	Pivot-Rocker Arm			Assembly
		Stratton Service	1119	691183	Screw			(Spring)
		Dealer)			(Alternator)	1330	272147	Repair Manual
1046	691337	Plug-Stop Switch						
1051	691265	Ring-Retaining						
1052	698869	Sensor-Oil						
		(Used Before Code						
		Date 030724000)						
		Used on Type No(s).						
		0035, 0036, 0049,						
		0100, 0112, 0115,						
		0117.						
		----- Note -----						
		698869 Sensor-Oil						
		(Used After Code Date						
		03010500 and Before						
		Code Date 03082900).						
		Used on Type No(s).						
		0041, 0118.						
		699117 Sensor-Oil						
		(Used Before Code						
		Date 03010600)						
		Used on Type No(s).						
		0041, 0118.						
1052A	790274	Sensor-Oil						
		(Used After Code Date						
		03072300)						
		Used on Type No(s).						
		0035, 0036, 0049,						
		0100, 0112, 0115,						
		0117, 0120, 0121.						
		----- Note -----						
		790274 Sensor-Oil						
		(Used After Code Date						
		03082800)						
		Used on Type No(s).						
		0041, 0118.						

★ Included in Engine Gasket Set-Ref. No.358.

● Included in Carburetor Overhaul Kit-Ref. No. 121.

◆ Included in Carburetor Gasket Set-Ref. No. 977.

△ Included in Valve Gasket Set-Ref. No 1095.

Illustrations cover a range of engines. Parts shown without corresponding text may not be used on your specific engine.