



# Illustrated Parts List

## Model Series

# 203400

TYPE NUMBERS  
0035 through 0134.

### TABLE OF CONTENTS

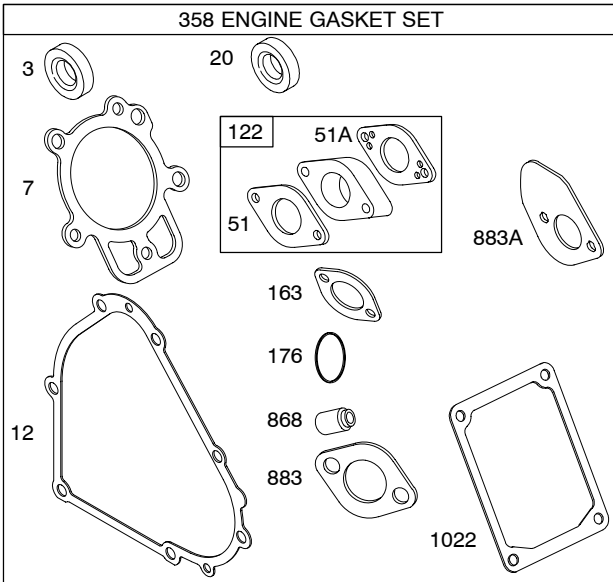
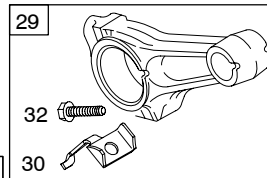
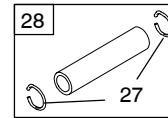
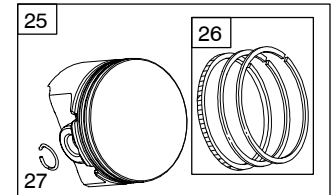
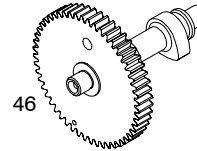
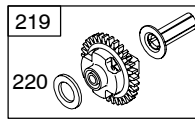
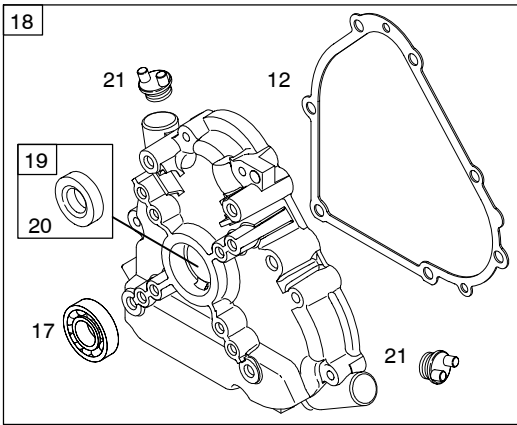
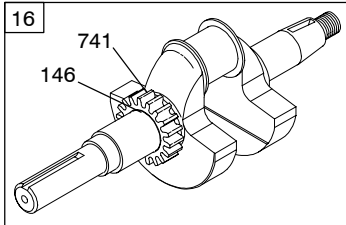
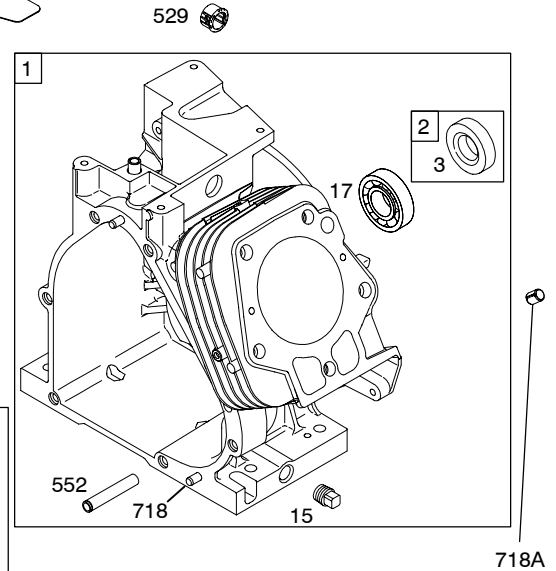
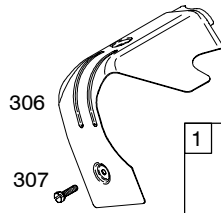
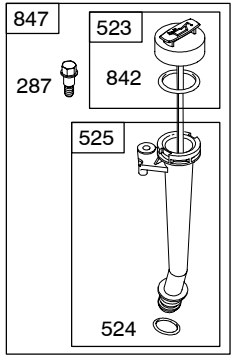
<b>Air Cleaner</b> .....	6
<b>Alternator</b> .....	10
<b>Blower Housing/Shrouds</b> .....	7
<b>Camshaft</b> .....	2
<b>Carburetor #1</b> .....	4
<b>Carburetor #2</b> .....	5
<b>Controls</b> .....	8
<b>Crankcase Cover</b> .....	2
<b>Crankshaft</b> .....	2
<b>Cylinder</b> .....	2
<b>Cylinder Head</b> .....	3
<b>Electric Starter</b> .....	9
<b>Exhaust System</b> .....	6
<b>Flywheel</b> .....	7
<b>Fuel Supply</b> .....	9
<b>Gear Reduction</b> .....	9
<b>Governor Spring</b> .....	8
<b>Ignition</b> .....	10
<b>Kit/Gasket Sets-Carburetor</b> .....	5
<b>Kit/Gasket Sets-Engine</b> .....	2
<b>Kit/Gasket Sets-Valve</b> .....	2
<b>Lubrication</b> .....	2
<b>Piston, Rings, Connecting Rod</b> .....	2
<b>Rewind Starter</b> .....	7
<b>Valves</b> .....	3

PRINTED IN U.S.A.



COPYRIGHT by BRIGGS & STRATTON CORPORATION  
All rights reserved. No part of this material may be reproduced or transmitted, in any form or by any means, electronic or mechanical, including photocopying, recording or by any information storage and retrieval system, without permission in writing from Briggs & Stratton Corporation.

**203400**

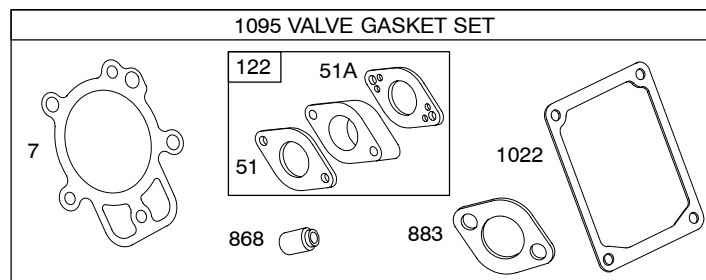
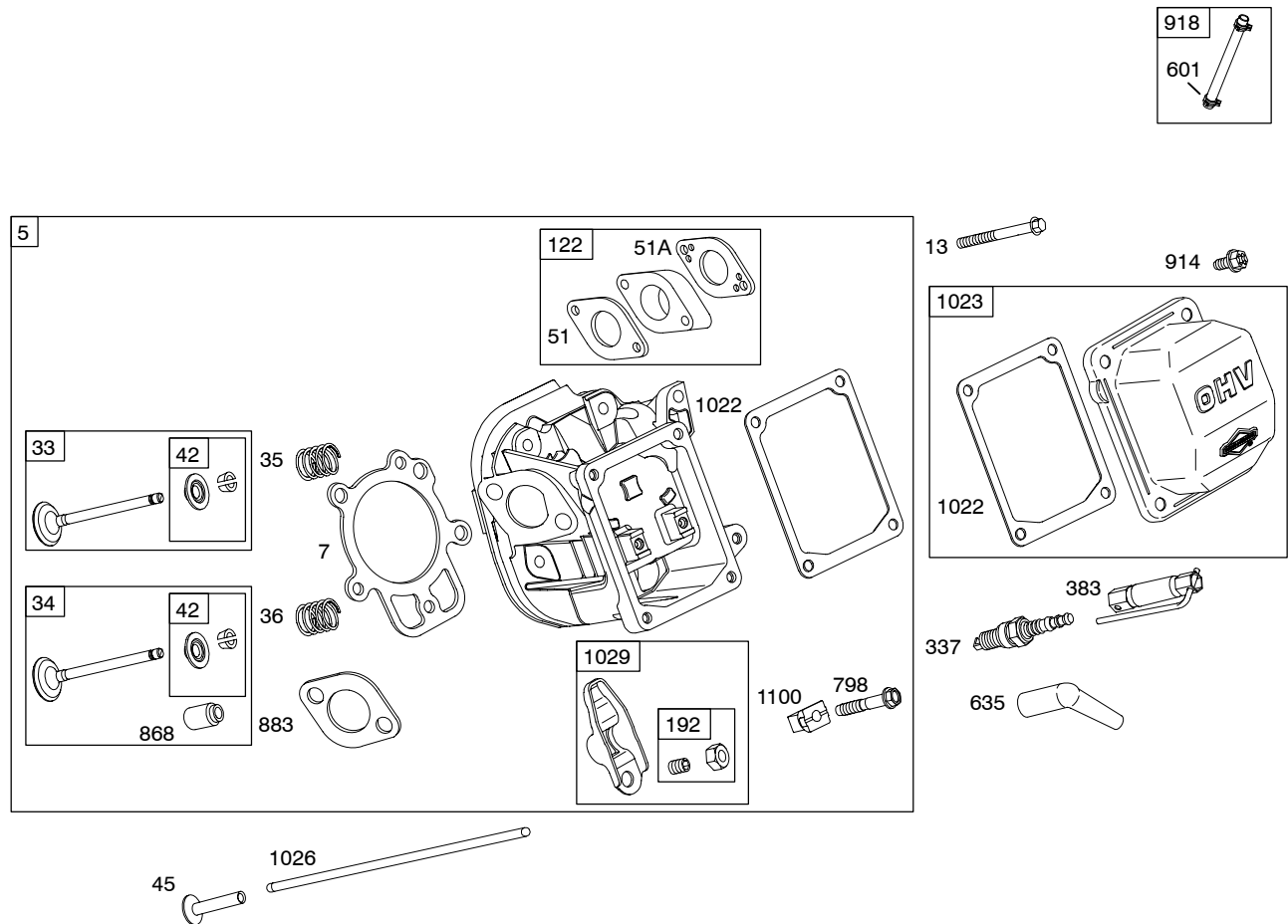


1330 REPAIR MANUAL

1019 LABEL KIT

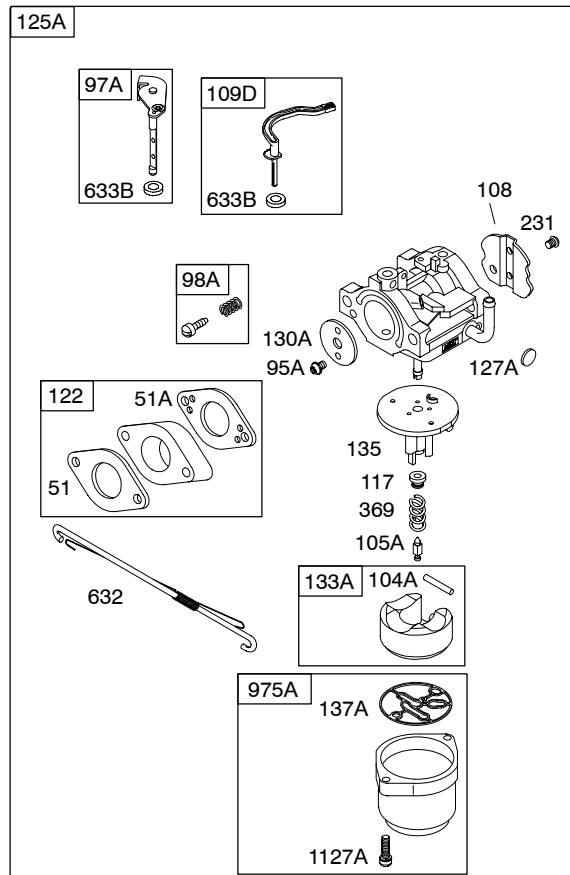
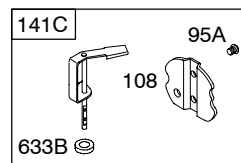
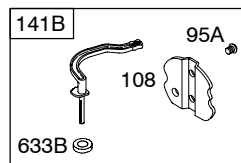
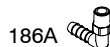
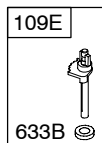
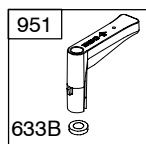
1058 OPERATOR'S MANUAL

Illustrations cover a range of engines. Parts shown without corresponding text may not be used on your specific engine.  
6594-2 Assemblies include all parts shown in frames. 07/12/2005

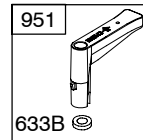
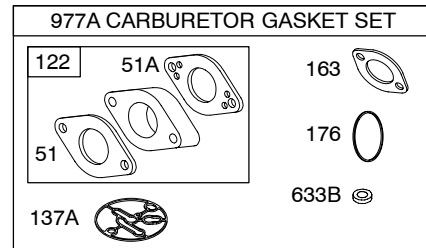
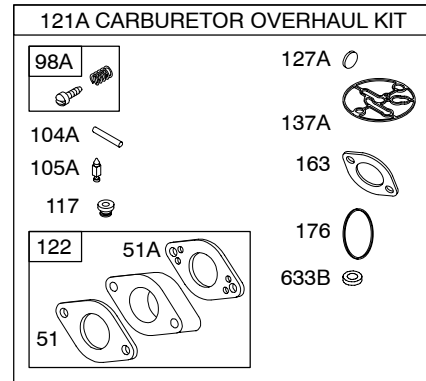
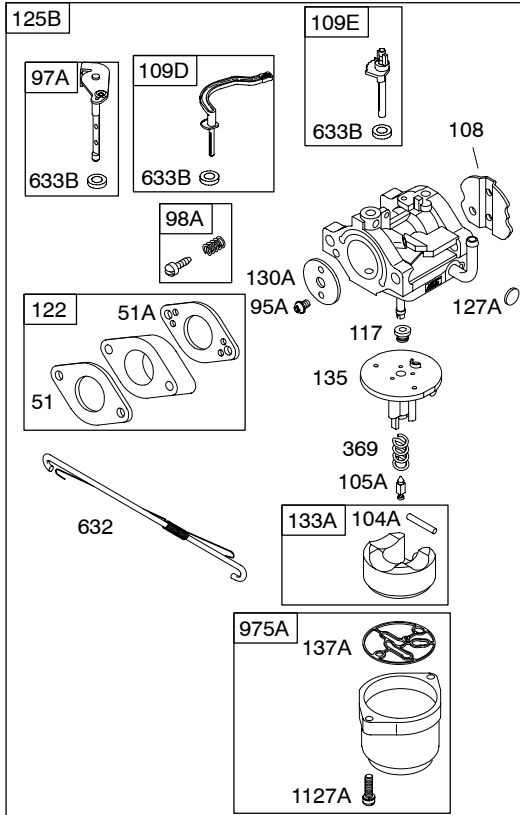


Illustrations cover a range of engines. Parts shown without corresponding text may not be used on your specific engine.  
 6594-3 Assemblies include all parts shown in frames. 07/12/2005

# 203400

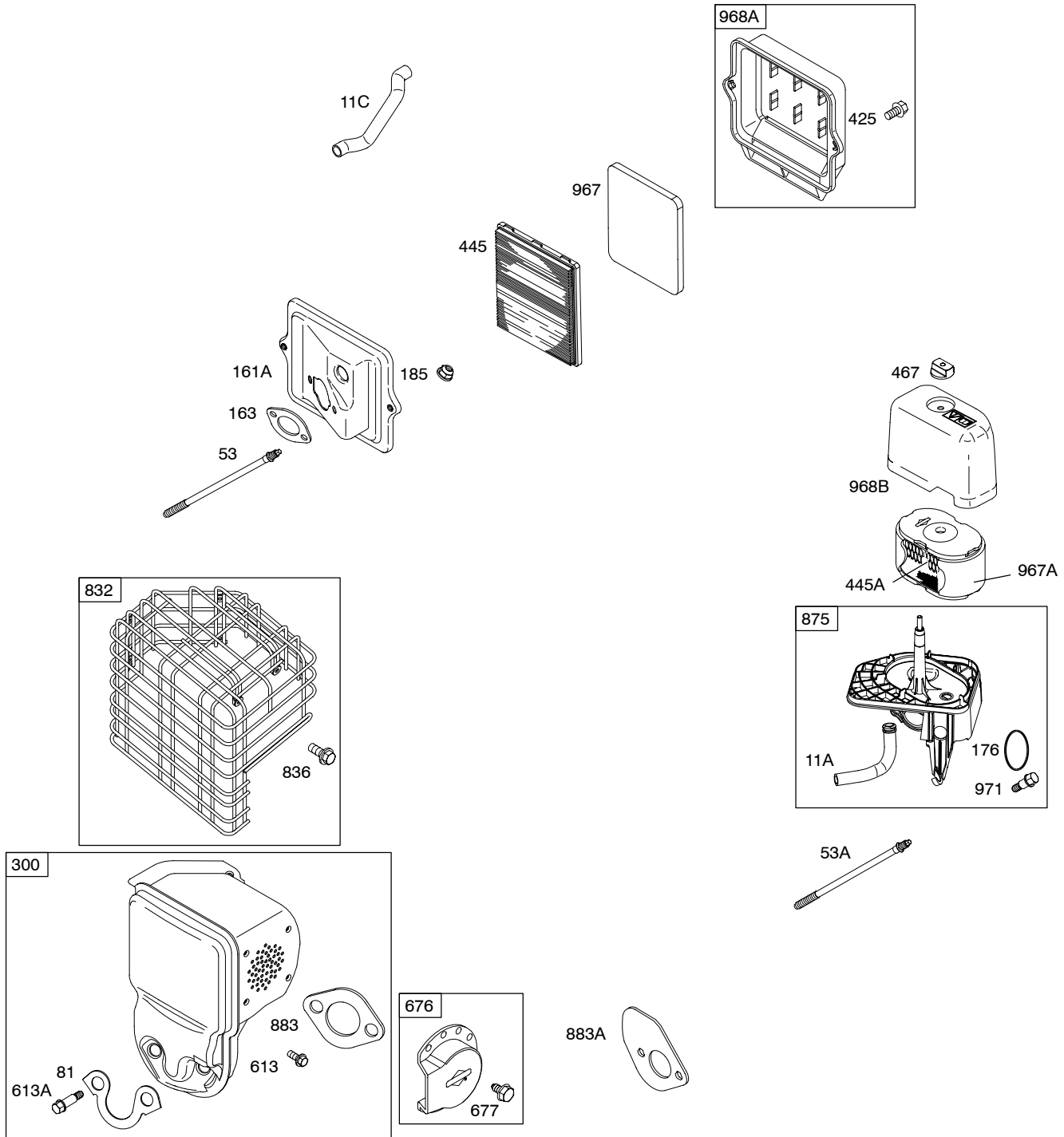


Illustrations cover a range of engines. Parts shown without corresponding text may not be used on your specific engine.  
 6594-4 Assemblies include all parts shown in frames. 07/12/2005



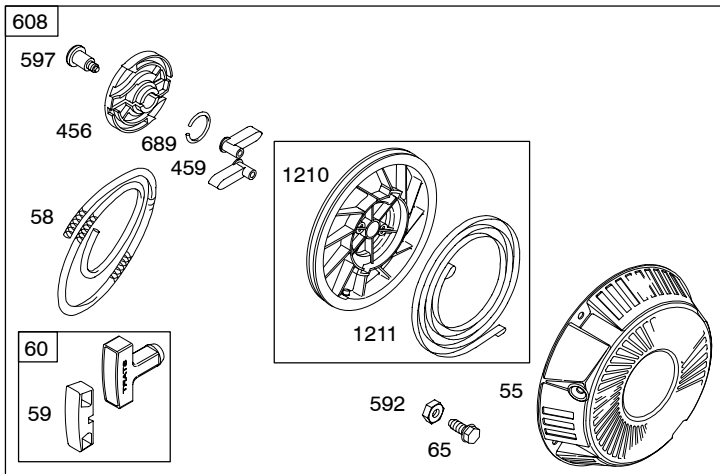
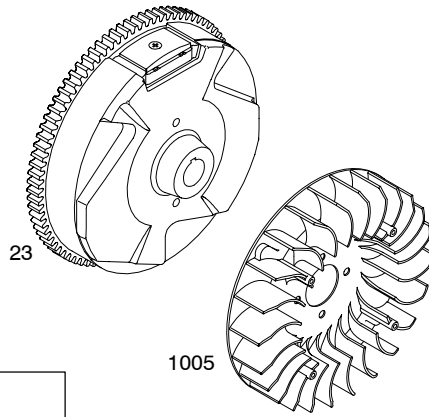
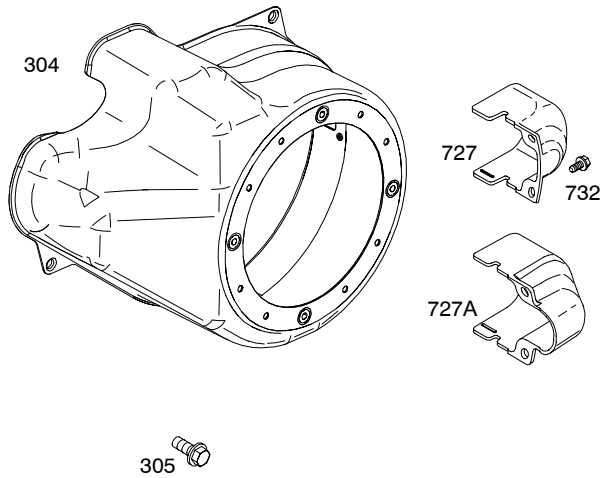
6594-5 *Illustrations cover a range of engines. Parts shown without corresponding text may not be used on your specific engine.* Assemblies include all parts shown in frames. 07/12/2005

# 203400



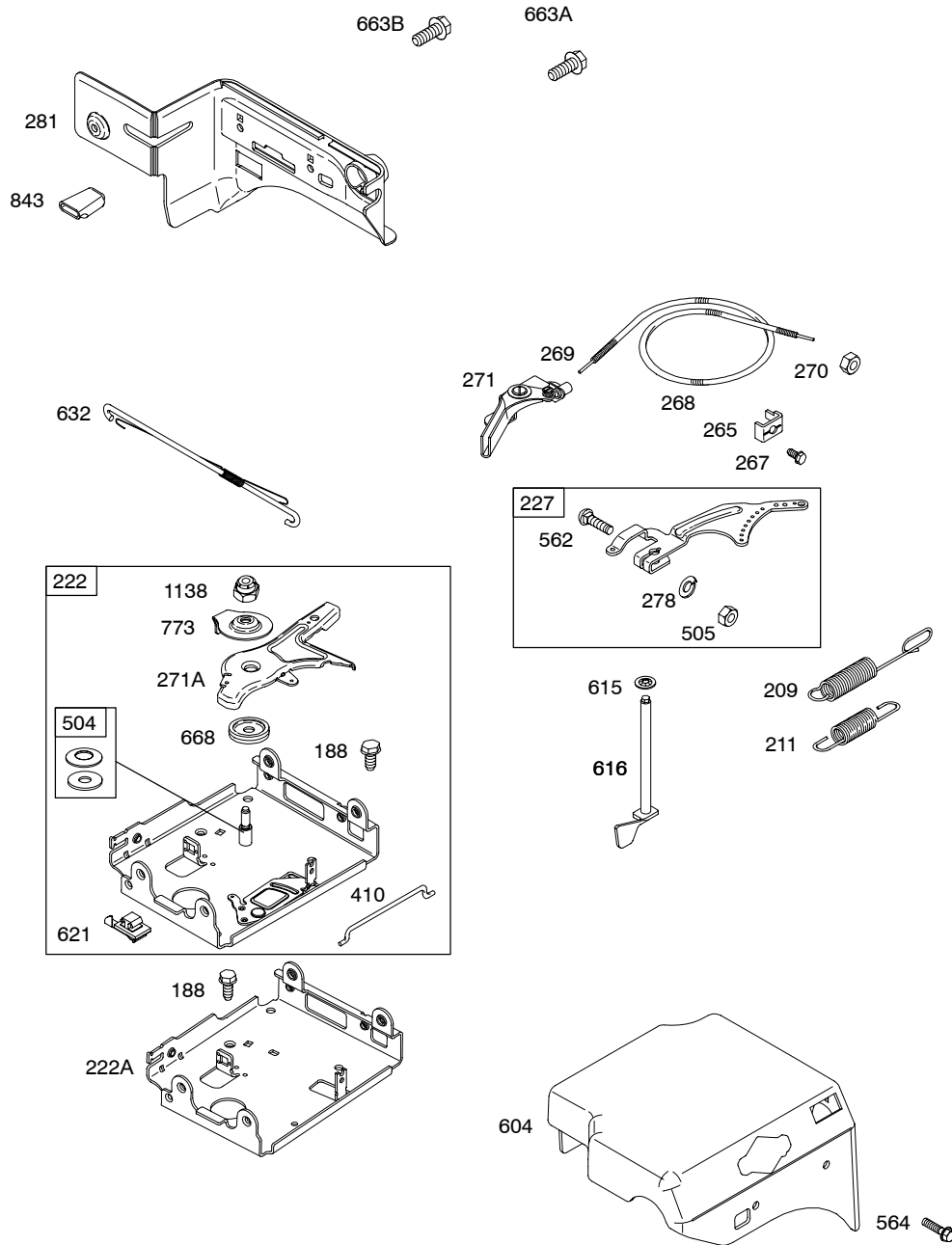
Illustrations cover a range of engines. Parts shown without corresponding text may not be used on your specific engine.  
6594-6 Assemblies include all parts shown in frames. 07/12/2005

1036 EMISSION LABEL



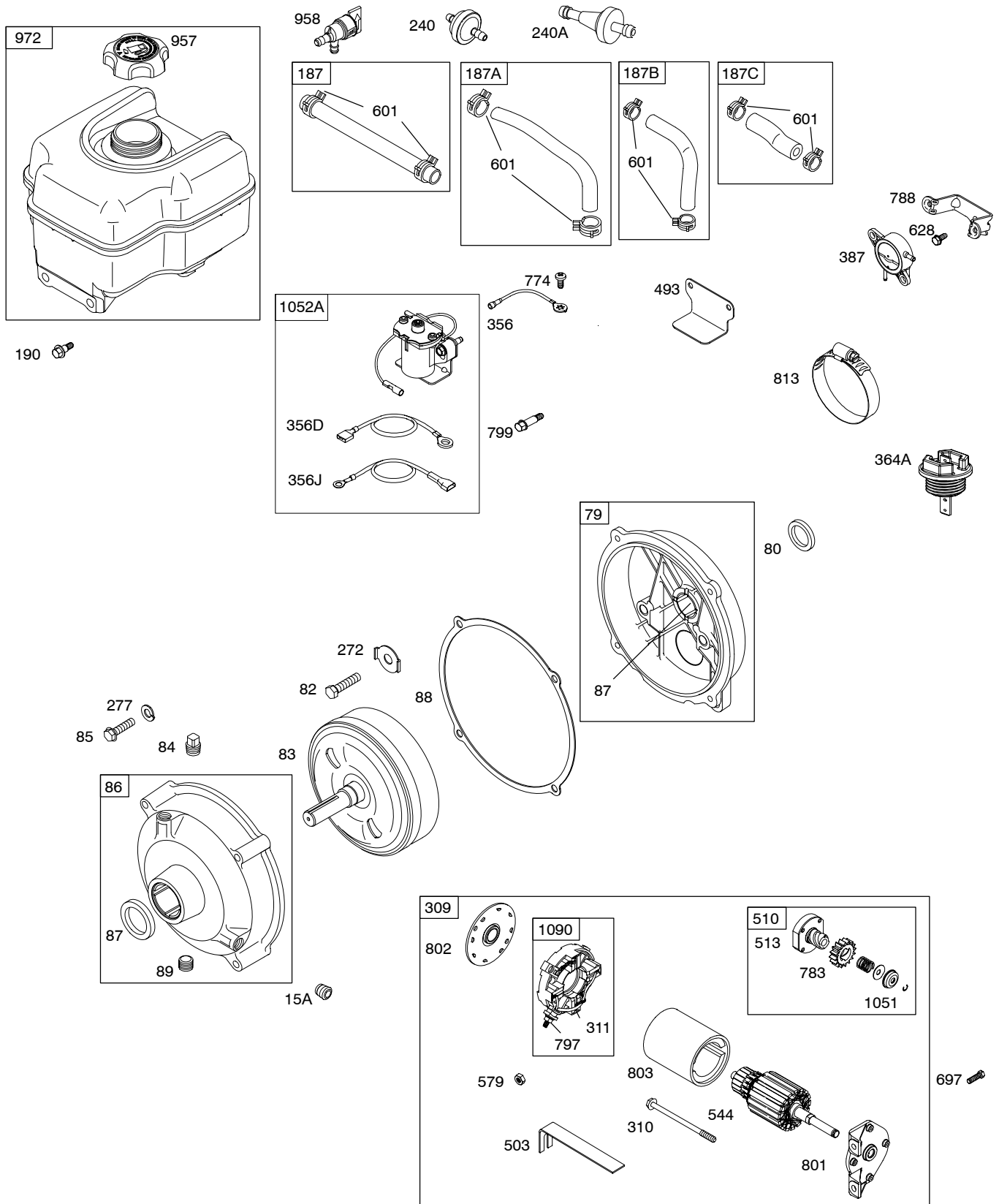
Illustrations cover a range of engines. Parts shown without corresponding text may not be used on your specific engine.  
6594-7 Assemblies include all parts shown in frames. 07/12/2005

# 203400



6594-8 *Illustrations cover a range of engines. Parts shown without corresponding text may not be used on your specific engine.* Assemblies include all parts shown in frames. 07/12/2005





Illustrations cover a range of engines. Parts shown without corresponding text may not be used on your specific engine.  
 6594-9 Assemblies include all parts shown in frames. 07/12/2005

# 203400

503

813

579

920

577A

578A

627A

347B

361A

10 - 16 AMP

474D

877C

526

501

**NOTE:** All stators use a No. 1119 mounting screw.

**NOTE:** The proper flywheel part number and/or the alternator magnet size will determine the alternator type or output. See repair instruction manual for additional information.

493A

1054

356

356C

356D

356E

356F

356H

356J

286B

286C

892

664

990

577

641A

636

641

575

627

361

500

347A

333

334

Illustrations cover a range of engines. Parts shown without corresponding text may not be used on your specific engine.  
 6594-10 Assemblies include all parts shown in frames. 07/12/2005

**203400**

REF. NO.	PART NO.	DESCRIPTION	REF. NO.	PART NO.	DESCRIPTION	REF. NO.	PART NO.	DESCRIPTION
1	694673	Cylinder Assembly	19	698340	Kit-Bushing/Seal (PTO Side)	46	790496	Camshaft
2	698340	Kit-Bushing/Seal (Magneto Side)	20	★391086	Seal-Oil (PTO Side)	51	◆◆694874	Gasket-Intake
3	★391086	Seal-Oil (Magneto Side)	21	281658	Cap-Oil Fill	51A	◆◆694875	Gasket-Intake
5	697233	Head-Cylinder (Used After Code Date 01102800)	22	695174	Screw (Crankcase Cover/Sump)	53	694869	Stud (Carburetor)
		----- <b>Note</b> -----	23	694954	Flywheel			Used on Type No(s). 0114.
		698040 Head-Cylinder (Used Before Code Date 01102900)			----- <b>Note</b> -----	53A	695433	Stud (Carburetor)
7	★△694872	Gasket-Cylinder Head			695485 Flywheel (Used on Type No(s). 0041, 0110, 0119, 0127.	55	695288	Housing-Rewind Starter
11A	695305	Tube-Breather	24	222698	Key-Flywheel	58	693389	Rope-Starter (Cut To Required Length)
11C	696796	Tube-Breather (Used on Type No(s). 0114.	25	792117	Piston Assembly (Standard)	59	805957	Insert-Grip
12	★694953	Gasket-Crankcase			----- <b>Note</b> -----	60	490652	Grip-Starter Rope
13	690360	Screw (Cylinder Head)			792144 Piston Assembly (.020" Oversize)	65	690837	Screw (Rewind Starter)
15	691686	Plug-Oil Drain	26	792026	Ring Set (Standard) (Used After Code Date 05081000)			----- <b>Note</b> -----
15A	691682	Plug-Oil Drain			694004 Ring Set (Used Before Code Date 05081100)	79	690614	Case-Gear Reduction
16	695462	Crankshaft			----- <b>Note</b> -----	80	691603	Gasket-Gear Case
		----- <b>Note</b> -----			792073 Ring Set (.020" Oversize) (Used After Code Date 05081000)	81	695400	Lock-Muffler Screw
		694678 Crankshaft (Used on Type No(s). 0114, 0120, 0132.			694008 Ring Set (.020" Oversize) (Used Before Code Date 05081100)	82	690287	Screw (Gear Reduction Case)
		695817 Crankshaft (Used on Type No(s). 0049, 0119, 0133.			----- <b>Note</b> -----	83	690387	Shaft-Auxiliary Drive
		695818 Crankshaft (Used on Type No(s). 0035, 0130.			792073 Ring Set (.020" Oversize) (Used After Code Date 05081000)	84	691121	Plug-Breather
		696412 Crankshaft (Used on Type No(s). 0118.			694008 Ring Set (.020" Oversize) (Used Before Code Date 05081100)	85	691076	Screw (Gear Cover to Gear Reduction Case)
17	695434	Bearing-Ball	27	690975	Lock-Piston Pin	86	690613	Cover-Gear
18	696914	Cover-Crankcase	28	696581	Pin-Piston	87	391086	Seal-Gear Reduction
		----- <b>Note</b> -----	29	694691	Rod-Connecting	88	691601	Gasket-Gear Reduction Cover
		695372 Cover-Crankcase (Ball Bearing Cover)	30	694692	Dipper-Connecting Rod	89	690283	Plug-Oil
			32	690976	Screw (Connecting Rod)	95A	690718	Screw (Throttle Valve)
			33	499596	Valve-Exhaust			
			34	697464	Valve-Intake			
			35	694865	Spring-Valve (Intake)			
			36	694865	Spring-Valve (Exhaust)			
			42	499586	Keeper-Valve			
			45	690977	Tappet-Valve			

★ Included in Engine Gasket Set-Ref. No.358.

● Included in Carburetor Overhaul Kit-Ref. No. 121.

◆ Included in Carburetor Gasket Set-Ref. No. 977.

△ Included in Valve Gasket Set-Ref. No 1095.

**Illustrations cover a range of engines. Parts shown without corresponding text may not be used on your specific engine.**

6594-11

Assemblies include all parts shown in frames.

07/12/2005

## 203400

REF. NO.	PART NO.	DESCRIPTION	REF. NO.	PART NO.	DESCRIPTION	REF. NO.	PART NO.	DESCRIPTION
97A	696140	Shaft-Throttle ----- <b>Note</b> ----- 696387 Shaft-Throttle Used on Type No(s). 0117.	127A	690727	Plug-Welch	187	791766	Line-Fuel (Cut To Required Length) (Used After Code Date 05063000)
98A	695408	Kit-Idle Speed	130A	696139	Valve-Throttle			----- <b>Note</b> ----- 691050 Line-Fuel (Used Before Code Date 05070100)
104A	694918	Pin-Float Hinge	133A	694914	Float-Carburetor			
105A	696136	Valve-Float Needle	135	696142	Tube-Fuel Transfer			
108	696143	Valve-Choke	137A	695426	Gasket-Float Bowl			
109D	790148	Shaft-Choke	141B	696144	Kit-Choke Shaft	187A	791869	Line-Fuel (Used After Code Date 05063000)
109E	696735	Shaft-Choke (Used After Code Date 04031500) Used on Type No(s). 0114.	141C	698457	Kit-Choke Shaft (Used After Code Date 03063000 and Before Code Date 04031500). Used on Type No(s). 0114.			----- <b>Note</b> ----- 695429 Line-Fuel (Used Before Code Date 05070100)
			146	690979	Key-Timing			
117	696134	Jet-Main (Standard)	161A	694870	Base-Air Cleaner (Metal) (Used After Code Date 03062900). Used on Type No(s). 0114.	187B	791834	Line-Fuel (Used After Code Date 05063000)
118	696135	Jet-Main (High Altitude)			----- <b>Note</b> ----- 699960 Base-Air Cleaner (Metal) (Used After Code Date 04010400) Used on Type No(s). 0114.			----- <b>Note</b> ----- 695482 Line-Fuel (Used Before Code Date 05070100)
121A	696146	Kit-Carburetor Overhaul (Nikki)				187C	791871	Line-Fuel (Used After Code Date 05063000) ----- <b>Note</b> ----- 695483 Line-Fuel (Used Before Code Date 05070100)
122 <sup>★</sup> △◆	694876	Spacer-Carburetor						
125A	696133	Carburetor ----- <b>Note</b> ----- 697351 Carburetor (Used After Code Date 00100100 and Before Code Date 03063000). Used on Type No(s). 0114. 698456 Carburetor (Used After Code Date 03062900). Used on Type No(s). 0114. 698785 Carburetor Used on Type No(s). 0117.	163	692277	Gasket-Air Cleaner Used on Type No(s). 0114.	188	690877	Screw (Control Bracket)
			176 <sup>★</sup> ◆	691917	Seal-O Ring (Air Cleaner Base)	190	692127	Screw (Fuel Tank)
			185	690958	Nut (Air Cleaner Base)	192	690083	Adjuster-Rocker Arm
125B	699958	Carburetor (Used After Code Date 04031500) Used on Type No(s). 0114.	186A	691764	Connector-Hose Used on Type No(s). 0117.	209	694867	Spring-Governor
						211	695307	Spring-Governed Idle
						219	693578	Gear-Governor
						220	691724	Washer (Governor Gear)

★ Included in Engine Gasket Set-Ref. No.358.

● Included in Carburetor Overhaul Kit-Ref. No. 121.

◆ Included in Carburetor Gasket Set-Ref. No. 977.

△ Included in Valve Gasket Set-Ref. No 1095.

**Illustrations cover a range of engines. Parts shown without corresponding text may not be used on your specific engine.**

6594-12

Assemblies include all parts shown in frames.

07/12/2005

**203400**

REF. NO.	PART NO.	DESCRIPTION	REF. NO.	PART NO.	DESCRIPTION	REF. NO.	PART NO.	DESCRIPTION
222	695380	Bracket-Control	286A	696566	Module-Oil Sensor (Used After Code Date 01111100 and Before Code Date 03010600). Used on Type No(s). 0041.	287	691693	Screw (Dipstick Tube)
222A	694866	Bracket-Control Used on Type No(s). 0114, 0120, 0132.				300	697252	Muffler (Used After Code Date 02012000) ----- <b>Note</b> -----
227	694864	Lever-Governor Control					695311	Muffler (Used Before Code Date 02012100)
231	690718	Screw (Choke Valve)				304	699012	Housing-Blower ----- <b>Note</b> -----
240	394358	Filter-Fuel Used on Type No(s). 0117.					697267	Housing-Blower (Electric Start) (Used After Code Date 01102800)
240A	694485	Filter-Fuel					695481	Housing-Blower (Electric Start) (Used Before Code Date 01102900)
265	691024	Clamp-Casing				305	691108	Screw (Blower Housing)
267	692577	Screw (Casing Clamp)	286B	696058	Module-Oil Sensor (Used Before Code Date 03010600) Used on Type No(s). 0110, 0119.	306	697240	Shield-Cylinder (Used After Code Date 01102800) ----- <b>Note</b> -----
268	691025	Casing-Control Wire (Cut To Required Length)					694677	Shield-Cylinder (Used Before Code Date 01102900)
269	691026	Wire-Control (Cut To Required Length)				307	691660	Screw (Cylinder Shield)
270	691027	Nut (Control Wire Casing)				309	695479	Motor-Starter
271	691028	Lever-Control				310	690323	Screw (Starter Motor)
271A	695381	Lever-Control	286C	699951	Module-Oil Sensor (Used After Code Date 03010500). Used on Type No(s). 0035, 0036, 0049, 0100, 0110, 0111, 0114, 0116, 0117, 0118, 0119, 0120, 0121, 0130, 0131, 0132, 0133.	311	497608	Brush Set
272	691168	Lock-Screw Head				332	694685	Nut (Flywheel)
277	691075	Washer (Gear Case To Gear Reduction)				333	715231	Armature-Magneto
278	792008	Washer (Governor Control Lever)				334	691061	Screw (Magneto Armature)
281	697268	Panel-Control (Used After Code Date 01102800) ----- <b>Note</b> ----- 695294 Panel-Control (Used Before Code Date 01102900)				337	491055	Plug-Spark ----- <b>Note</b> ----- 691043 Plug-Spark Used on Type No(s). 0117, 0120, 0132, 0134.
						347A	697854	Switch-Rocker
						347B	790949	Switch-Rocker

★ Included in Engine Gasket Set-Ref. No.358.

● Included in Carburetor Overhaul Kit-Ref. No. 121.

◆ Included in Carburetor Gasket Set-Ref. No. 977.

△ Included in Valve Gasket Set-Ref. No 1095.

*Illustrations cover a range of engines. Parts shown without corresponding text may not be used on your specific engine.*

## 203400

REF. NO.	PART NO.	DESCRIPTION	REF. NO.	PART NO.	DESCRIPTION	REF. NO.	PART NO.	DESCRIPTION
356	692603	Wire-Stop (1 Wire, 6-1/2" Long) (Push-On Insulated Female Blade Terminal, And RingTerminal)	500	691086	Washer (Key Switch) Used on Type No(s). 0041, 0127.	613	695312	Screw (Muffler)
356C	695295	Wire-Stop	501	691185	Regulator	613A	695399	Screw (Muffler)
356D	695366	Wire-Stop	503	691532	Strap-Starter	615	694676	Retainer-Governor Shaft
356E	696328	Wire-Stop Used on Type No(s). 0041.	504	695383	Washer Set-Friction	616	694675	Crank-Governor
356F	697336	Wire-Stop	505	691251	Nut (Governor Control Lever)	621	692310	Switch-Stop
356H	696482	Wire-Stop	510	693699	Drive-Starter	627	696064	Bracket-Stopswitch Used on Type No(s). 0041, 0127.
356J	699994	Wire-Stop	513	692024	Clutch-Drive	627A	790952	Panel
358	695438	Gasket Set-Engine	523	695344	Dipstick	628	690297	Screw (Fuel Pump Bracket)
361	691681	Screw (Starting Switch) Used on Type No(s). 0041, 0127.	524	691876	Seal-Dipstick Tube	632	696059	Link-Throttle
361A	690297	Screw (Starting Switch)	525	695343	Tube-Dipstick	633B	690998	Seal-Choke/Throttle Shaft
364A	699947	Terminal-Oil Plug	526	690297	Screw (Regulator)	635	710901	Boot-Spark Plug
369	695422	Spring-Float Bowl	529	791822	Grommet	636	691029	Nut (Starting Switch) Used on Type No(s). 0041.
383	19374	Wrench-Spark Plug	544	692034	Armature-Starter	641	691075	Washer (Starting Switch) Used on Type No(s). 0041, 0049, 0127, 0133.
387	808656	Pump-Fuel	552	694674	Bushing-Governor Crank	641A	690282	Washer (Starting Switch) Used on Type No(s). 0041.
410	695382	Link-Control	562	691119	Bolt (Governor Control Lever)	663A	690372	Screw (Control Panel) Used on Type No(s). 0041, 0127.
425	694515	Screw (Air Cleaner Cover)	564	692198	Screw (Control Cover)	663B	692577	Screw (Control Panel)
445	491588	Filter-Air Cleaner Cartridge Used on Type No(s). 0114.	575	692303	Switch-Starting Used on Type No(s). 0041, 0127.	664	691087	Nut (Key Switch) Used on Type No(s). 0041, 0127.
445A	695302	Filter-Air Cleaner Cartridge	577	690630	Cable-Starter Used on Type No(s). 0041.	668	694257	Spacer (Control Bracket)
455	694683	Cup-Flywheel	577A	690795	Cable-Starter	676	393761	Deflector-Muffler
456	692299	Plate-Pawl Friction	578A	790948	Wire Assembly			
459	281505	Pawl-Ratchet	579	691029	Nut (Starter Cable)			
467	691668	Knob-Air Cleaner	592	690800	Nut (Rewind Starter)			
474D	695466	Alternator (10 Amp Regulator)	597	691696	Screw (Pawl Friction Plate)			
493	694861	Bracket-Mounting	601	95162	Clamp-Hose			
493A	691177	Bracket-Mounting	604	699066	Cover-Control			
			608	695287	Starter-Rewind			

★ Included in Engine Gasket Set-Ref. No.358.

● Included in Carburetor Overhaul Kit-Ref. No. 121.

◆ Included in Carburetor Gasket Set-Ref. No. 977.

△ Included in Valve Gasket Set-Ref. No 1095.

**Illustrations cover a range of engines. Parts shown without corresponding text may not be used on your specific engine.**

6594-14

Assemblies include all parts shown in frames.

07/12/2005

**203400**

REF. NO.	PART NO.	DESCRIPTION	REF. NO.	PART NO.	DESCRIPTION	REF. NO.	PART NO.	DESCRIPTION
677	690661	Screw (Muffler Deflector) ----- <b>Note</b> ----- 690367 Screw (Muffler Deflector) Used on Type No(s). 0120, 0132.	802	691286	Cap-End	918	393815	Hose-Vacuum Used on Type No(s). 0117.
689	691855	Spring-Friction	803	693757	Housing-Starter	920	691656	Solenoid-Starter
697	690372	Screw (Drive Cap)	813	690635	Clamp	951	699961	Lever-Choke (Used After Code Date 04031500) Used on Type No(s). 0114.
718	690959	Pin-Locating	832	695386	Guard-Muffler	957	694261	Cap-Fuel Tank (Plastic)
718A	695178	Pin-Locating (Head)	836	695312	Screw (Muffler Guard) (Used After Code Date 01061000) ----- <b>Note</b> ----- 690367 Screw (Muffler Guard) (Used Before Code Date 01061100)	958	698180	Valve-Fuel Shut Off (Plastic)
727	697465	Cover-Starter Drive	842	691031	Seal-O Ring (Dipstick Tube)	967	491435	Filter-Pre Cleaner Used on Type No(s). 0114.
727A	699066	Cover-Starter Drive Used on Type No(s). 0117.	843	695588	Sleeve-Lever	967A	695303	Filter-Pre Cleaner
732	691097	Screw (Starter Drive Cover)	847	695342	Dipstick/Tube Assembly	968A	692321	Cover-Air Cleaner Used on Type No(s). 0114.
741	691288	Gear-Timing	868	★690968	Seal-Valve	968B	695301	Cover-Air Cleaner
742	692564	Retainer-E Ring	875	695304	Base-Air Cleaner (Plastic) Used on Type No(s). 0035, 0036, 0041, 0049, 0100, 0110, 0116, 0118, 0130, 0131, 0133.	971	695181	Screw (Air Cleaner Base to Carburetor)
746	694679	Gear-Idler	877C	399916	Wire/Connector- Alternator Used on Type No(s). 0049, 0133.	972	694260	Tank-Fuel (Plastic)
773	694258	Retainer	883	695398	Gasket-Exhaust (Used Before Code Date 02012000)	975A	696138	Bowl-Float
774	695447	Screw (Stop Wire)	883A	697255	Gasket-Exhaust (Used After Code Date 02011900)	977A	696147	Gasket Set-Carburetor (Use With Nikki Carburetor)
783	693713	Gear-Pinion	892	392833	Switch-Key Used on Type No(s). 0041, 0127.	990	691959	Key Set Used on Type No(s). 0041, 0127.
788	699078	Bracket-Fuel Pump Used on Type No(s). 0117.	914	693732	Screw (Rocker Cover)	1005	694684	Fan-Flywheel
797	693167	Nut (Brush Retainer)				1019	695442	Kit-Label
798	697890	Screw (Rocker Arm)				1022	690971	Gasket-Rocker Cover
799	695446	Screw (Oil Sensor) (M4) ----- <b>Note</b> ----- 692581 Screw (Oil Sensor) (1/2-20)				1023	697691	Cover-Rocker
801	694482	Cap-Drive				1026	695177	Rod-Push
						1029	690972	Arm-Rocker

★ Included in Engine Gasket Set-Ref. No.358.

● Included in Carburetor Overhaul Kit-Ref. No. 121.

◆ Included in Carburetor Gasket Set-Ref. No. 977.

△ Included in Valve Gasket Set-Ref. No 1095.

**Illustrations cover a range of engines. Parts shown without corresponding text may not be used on your specific engine.**

6594-15

Assemblies include all parts shown in frames.

07/12/2005

**203400**

REF. NO.	PART NO.	DESCRIPTION	REF. NO.	PART NO.	DESCRIPTION	REF. NO.	PART NO.	DESCRIPTION
1036		Label-Emissions (Available from an Authorized Briggs & Stratton Service Dealer)	1058	275092	Manual-Owner's	1138	694255	Nut (Control Bracket)
			1070	691058	Screw (Flywheel Fan)	1210	498144	Pulley/Spring Assembly (Pulley)
			1090	691293	Retainer-Brush			
			1095	695440	Gasket Set-Valve	1211	498144	Pulley/Spring Assembly (Spring)
1051	691265	Ring-Retaining Used on Type No(s). 0041.	1100	690973	Pivot-Rocker Arm			
			1119	691183	Screw (Alternator)			
1052A	790274	Sensor-Oil	1127A	695407	Screw (Float Bowl)	1330	272147	Repair Manual
1054	280275	Tie-Cable Used on Type No(s). 0114.						

★ Included in Engine Gasket Set-Ref. No.358.

● Included in Carburetor Overhaul Kit-Ref. No. 121.

◆ Included in Carburetor Gasket Set-Ref. No. 977.

△ Included in Valve Gasket Set-Ref. No 1095.

**Illustrations cover a range of engines. Parts shown without corresponding text may not be used on your specific engine.**