

19E400

Illustrated Parts List

Model Series

19E400

TYPE NUMBERS
0069 through 1168.

For Use On Engines Built Before Date Code – 02051800

TABLE OF CONTENTS

Air Cleaner Group	4
Alternator	8
Blower Housing/Shrouds	5
Cam	2
Carburetor	3
Controls	7
Crankcase Cover/Sump	2
Crankshaft	2
Cylinder Group	2
Electric Starter	6
Flywheel Group	6
Fuel Tank Group	7
Governor Spring	7
Head	2
Ignition	6
Kits/Gaskets–Carburetor	3
Kits/Gaskets–Valve/Engine	8
Muffler	4
Oil	2
Piston Group	2
Rewind	5
Valves	2

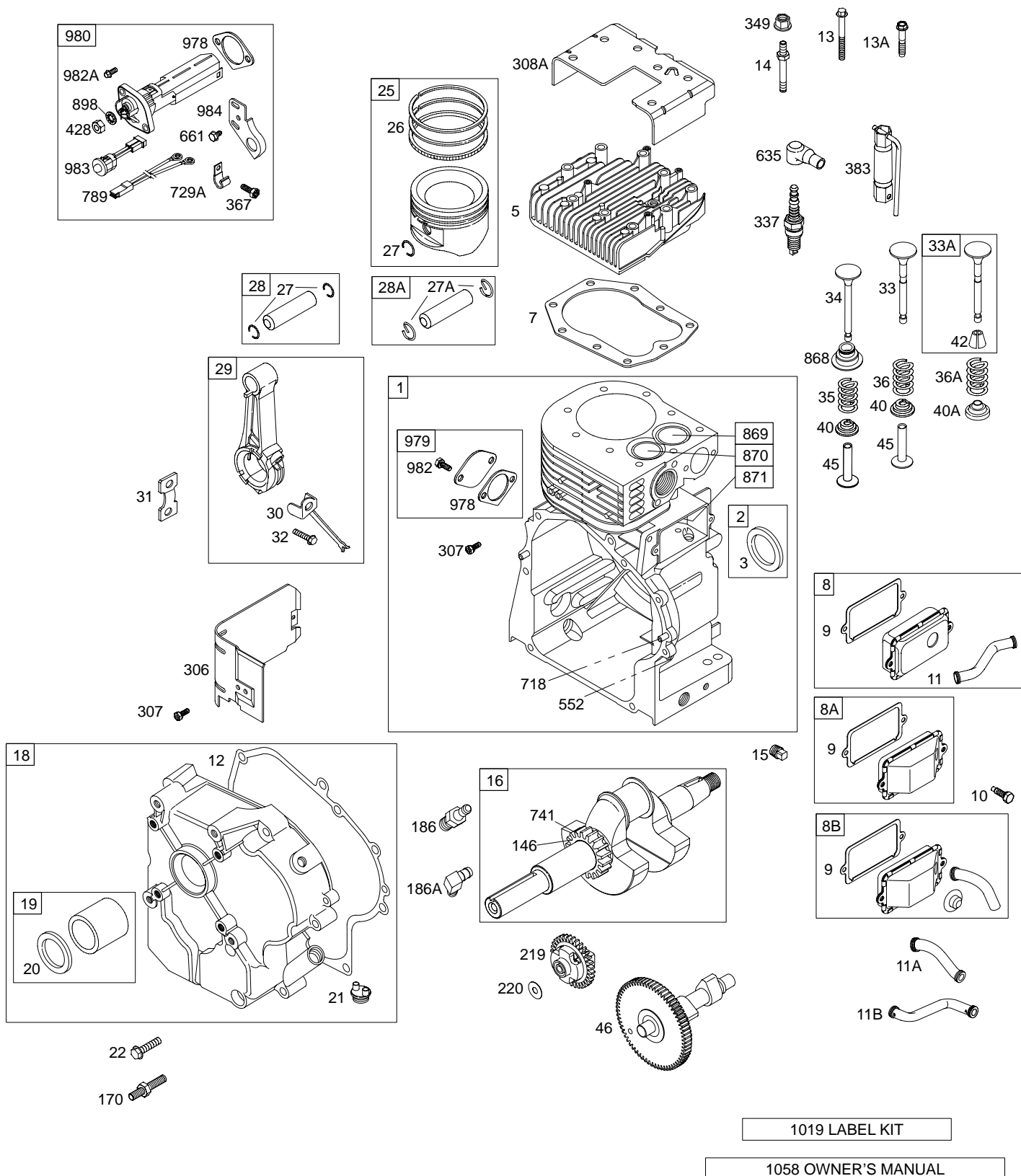
PRINTED IN U.S.A.



COPYRIGHT by BRIGGS & STRATTON CORPORATION
 All rights reserved. No part of this material may be reproduced or transmitted, in any form or by any means, electronic or mechanical, including photocopying, recording or by any information storage and retrieval system, without permission in writing from Briggs & Stratton Corporation.

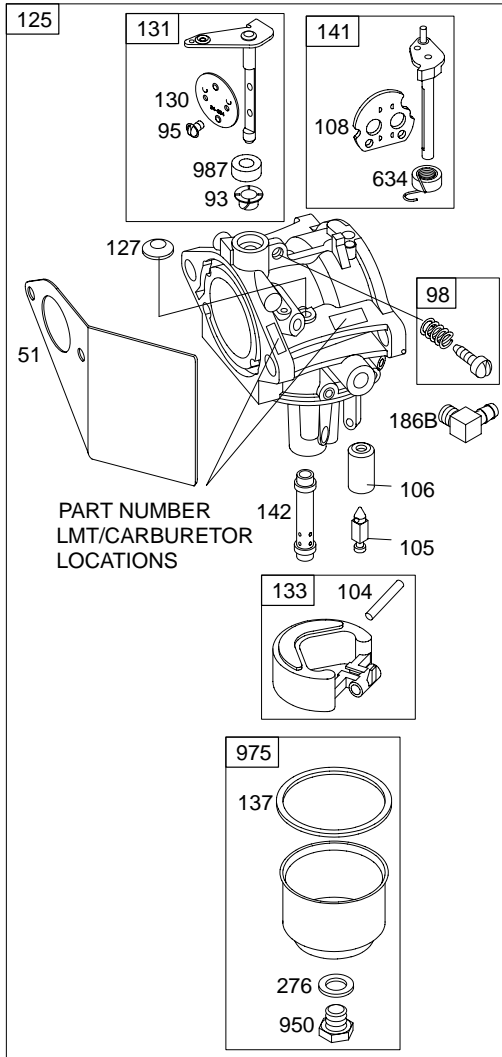
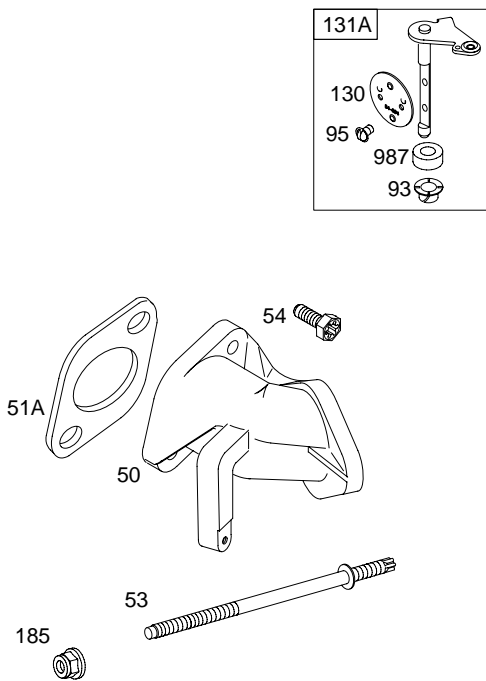


19E400

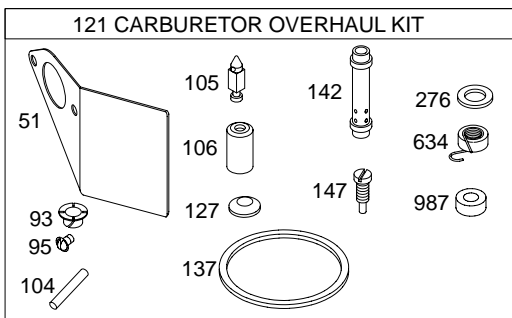
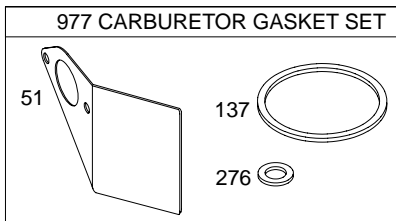


1019 LABEL KIT

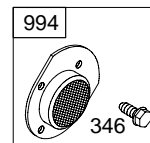
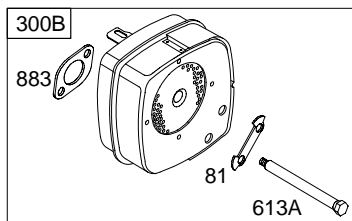
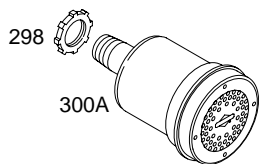
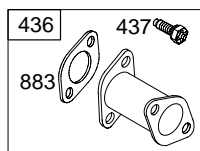
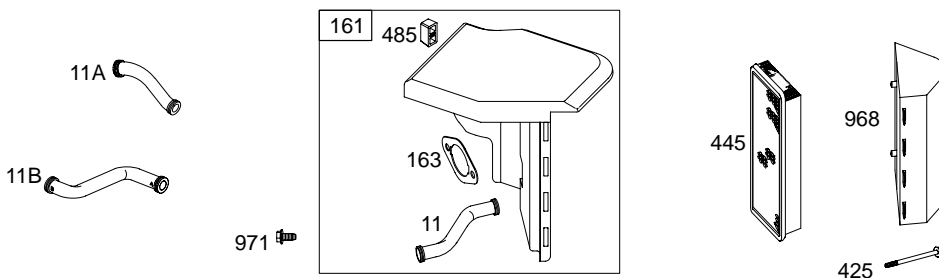
1058 OWNER'S MANUAL

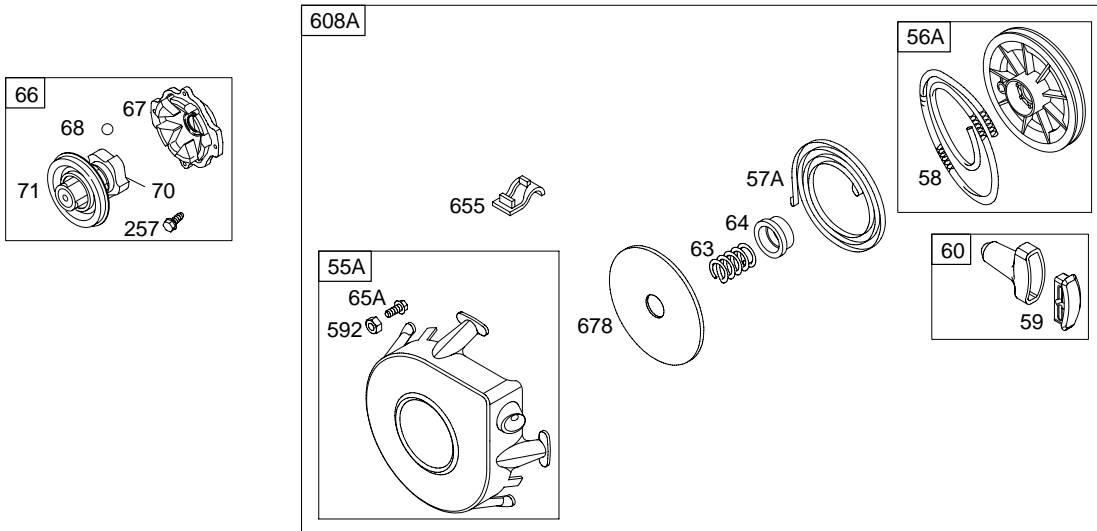
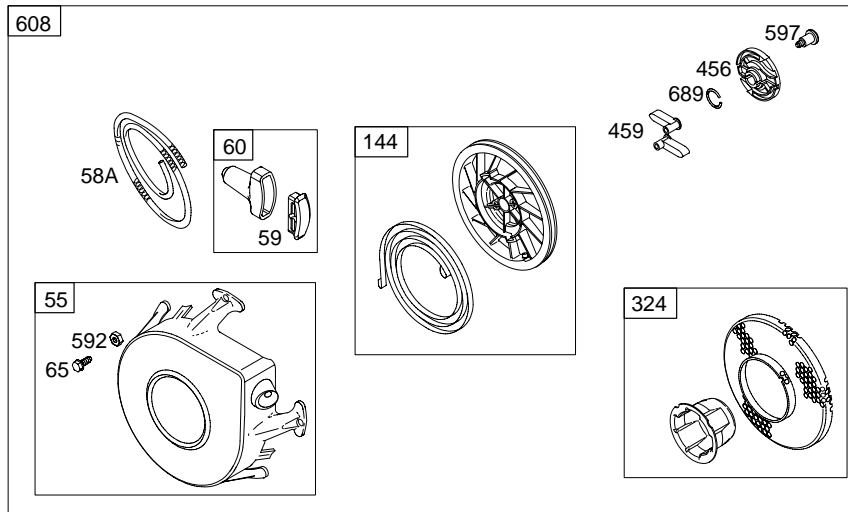
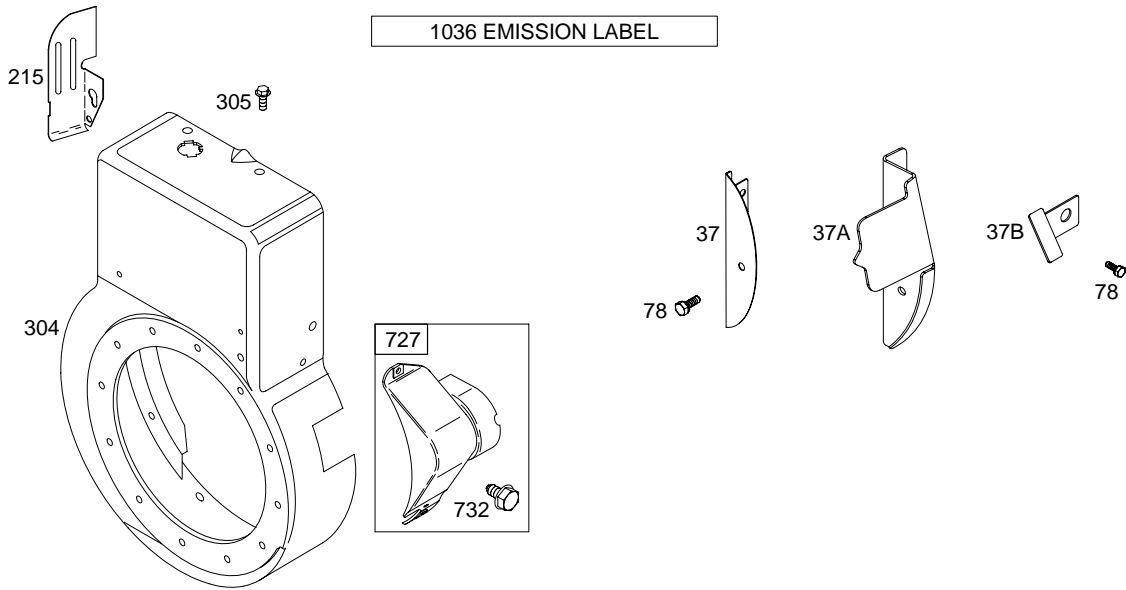


PART NUMBER
LMT/CARBURETOR
LOCATIONS

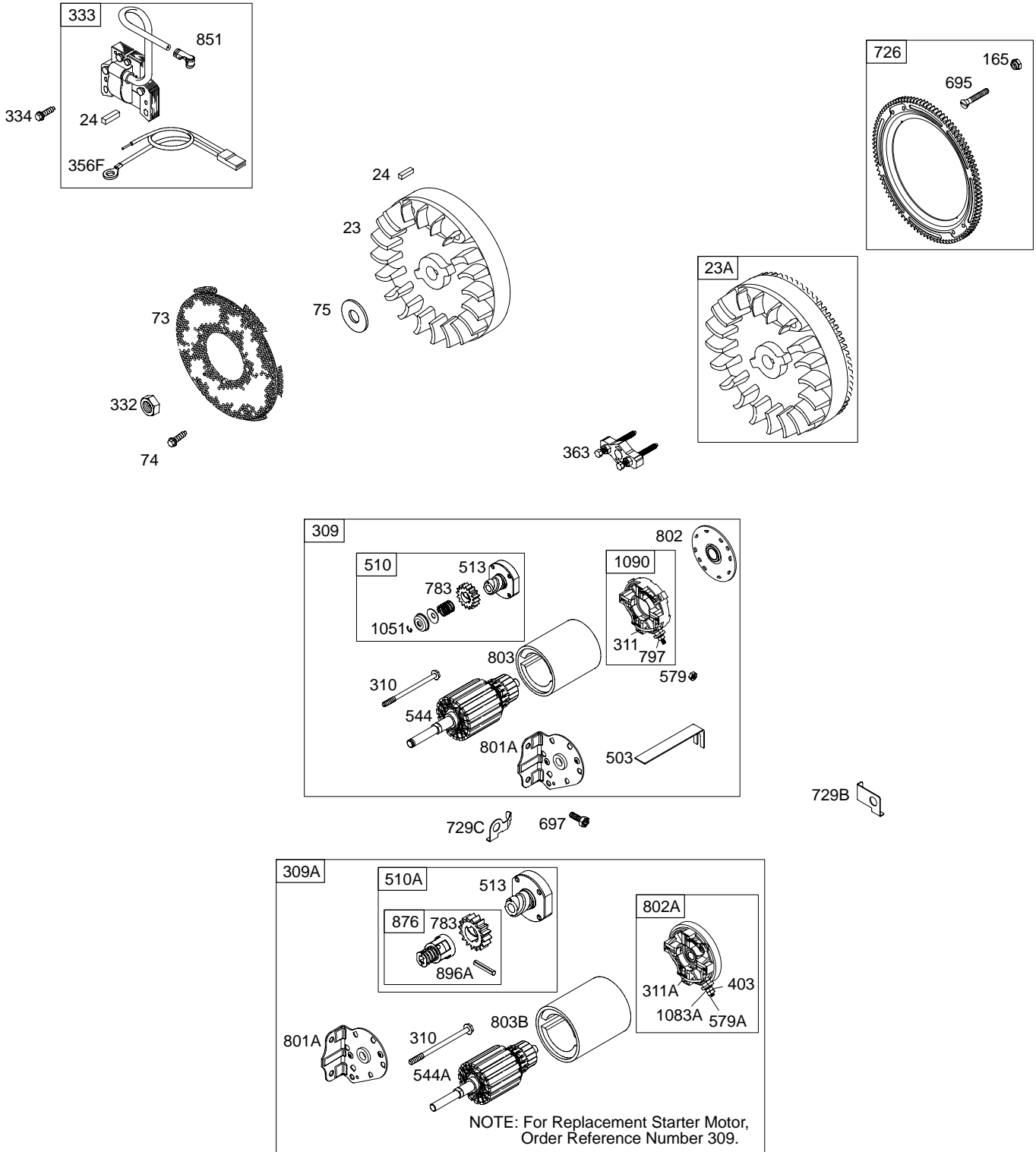


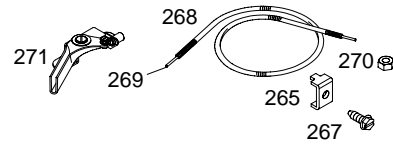
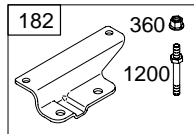
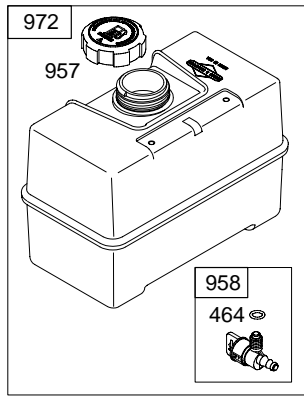
19E400



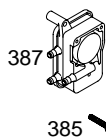
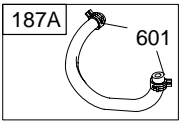
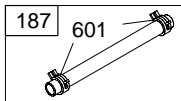
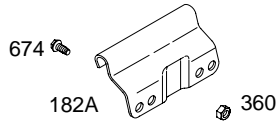


19E400

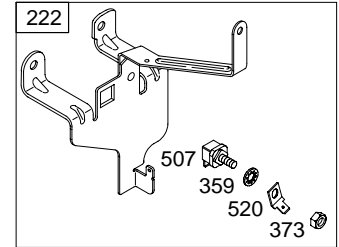
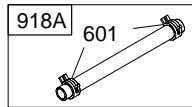
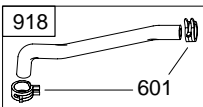




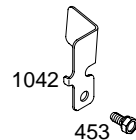
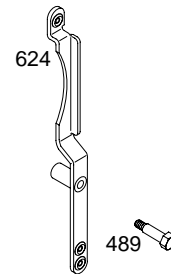
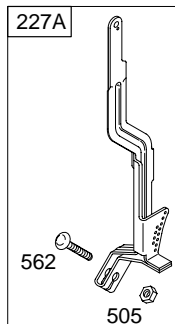
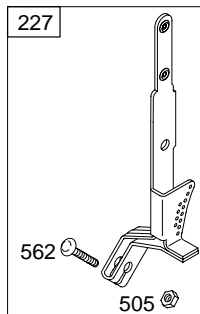
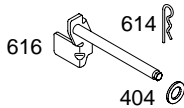
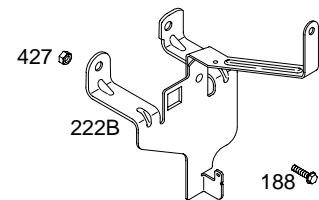
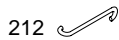
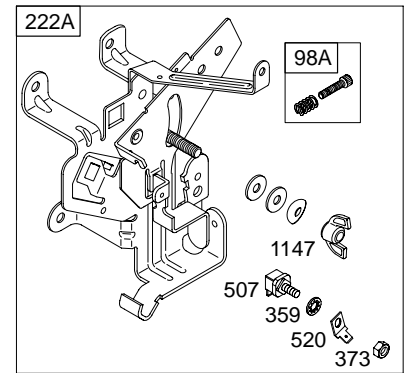
674



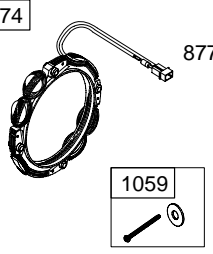
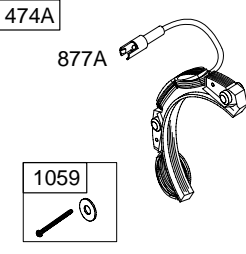


240

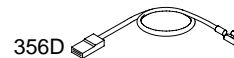
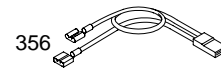


188

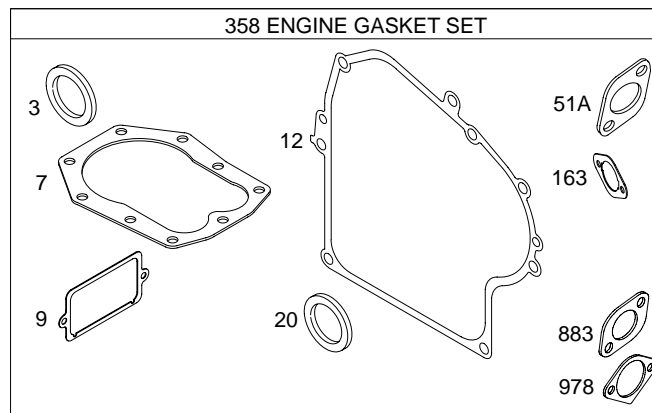
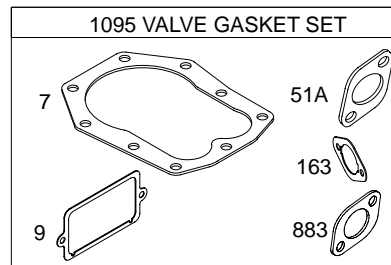


19E400

DC ONLY	DUAL CIRCUIT
SEE FLYWHEEL ASSEMBLY	SEE FLYWHEEL ASSEMBLY
<div style="border: 1px solid black; padding: 2px; display: inline-block;">474</div> 	<div style="border: 1px solid black; padding: 2px; display: inline-block;">474A</div> 
	



NOTE: ALL OLD STYLE STATORS USE
1119 REFERENCE NUMBER MOUNTING SCREW



REF. NO.	PART NO.	DESCRIPTION	REF. NO.	PART NO.	DESCRIPTION	REF. NO.	PART NO.	DESCRIPTION
1	495656	Cylinder Assembly	16	495790	Crankshaft	28	499302	Pin-Piston (Standard)
2	495657	Kit-Bushing/Seal (Magneto Side)			Note			Note
3	★391086	Seal-Oil (Magneto Side)			495788 Crankshaft Used on Type No(s). 0133.			499303 Pin-Piston (.005" Oversize)
5	691159	Head-Cylinder	18	496984	Cover-Crankcase	29	390401	Rod-Connecting
7	∅★272163	Gasket-Cylinder Head	19	295964	Kit-Bushing/Seal (PTO Side)			Note
8	498038	Breather Assembly (Used After Code Date 95040200).	20	★391086	Seal-Oil (PTO Side)			390773 Rod-Connecting (.020" Undersize)
8A	495736	Breather Assembly (Used After Code Date 95010100 and Before Code Date 95040300).	21	281658	Cap-Oil Fill	30	691728	Dipper-Connecting Rod
8B	497710	Breather Assembly (Used Before Code Date 95010200).	22	693972	Screw (Crankcase Cover/Sump)	31	222114	Lock-Rod Screw
9	∅★27803	Gasket-Breather			Note	32	690352	Screw (Connecting Rod)
10	691666	Screw (Breather Assembly)			691103 Screw (Crankcase Cover/Sump) (Used in Position No. 1)	33	691287	Valve-Exhaust
11	691907	Tube-Breather (Used After Code Date 95040200).	23	690615	Flywheel (Rewind Starter)	33A	691794	Valve-Exhaust (Used Before Code Date 95041700).
11A	691899	Tube-Breather (Used After Code Date 95010100 and Before Code Date 95040300).	23A	691354	Flywheel (Electric Starter)	34	261055	Valve-Intake
11B	281426	Tube-Breather (Used Before Code Date 95010200).	24	222698	Key-Flywheel	35	691605	Spring-Valve (Intake)
12	★692221	Gasket-Crankcase (Standard) (.015")	25	499960	Piston Assembly (Standard)	36	691605	Spring-Valve (Exhaust)
		Note			Note	36A	691597	Spring-Valve (Exhaust) (Used Before Code Date 95041700).
		★27876 Gasket-Crankcase (.005")			499961 Piston Assembly (.010" Oversize)	37	690411	Guard-Flywheel
		★27877 Gasket-Crankcase (.009")	26	690014	Ring Set (Standard)	37A	690490	Guard-Flywheel
13	691651	Screw (Cylinder Head)			Note	37B	690488	Guard-Flywheel Used on Type No(s). 0108.
13A	690904	Screw (Cylinder Head)			299743 Ring Set (Standard) (Chrome)	40	690656	Retainer-Valve (Exhaust)
14	691690	Stud (Cylinder Head) (Used in Positions 5 and 6)			690015 Ring Set (.010" Oversize)	40A	691939	Retainer-Valve (Exhaust) (Used Before Code Date 95041700).
15	690946	Plug-Oil Drain (Square Head)	27	690975	Lock-Piston Pin (Used After Code Date 96102700).	42	494553	Keeper-Valve (Exhaust) (Used Before Code Date 95041700).
		Note			Note	45	691793	Tappet-Valve
		690289 Plug-Oil Drain (Magnetic)	27A	691073	Lock-Piston Pin (Used Before Code Date 96102800).	46	691167	Camshaft
						50	691157	Manifold-Intake
						51	◆691886	Gasket-Intake (Manifold to Carburetor)
						51A	∅★691885	Gasket-Intake (Manifold to Engine)
						53	691672	Stud (Carburetor)
						54	690953	Screw (Intake Manifold)

★ Included in Engine Gasket Set-Ref. No.358.

● Included in Carburetor Overhaul Kit-Ref. No. 121.

◆ Included in Carburetor Gasket Set-Ref. No. 977.

∅ Included in Valve Gasket Set-Ref. No 1095.

19E400

REF. NO.	PART NO.	DESCRIPTION	REF. NO.	PART NO.	DESCRIPTION	REF. NO.	PART NO.	DESCRIPTION			
55	693904	Housing–Rewind Starter (Used After Code Date 98111500).	73	691754	Screen–Rotating	137	◆281165	Gasket–Float Bowl			
55A	393576	Housing–Rewind Starter (Used Before Code Date 98111600).	74	691627	Screw (Rotating Screen)	141	497160	Kit–Choke Shaft			
56A	295871	Pulley–Starter	75	690582	Washer (Flywheel)	142	◆690128	Nozzle–Carburetor (Standard) (LMT 186)			
57A	490179	Spring–Rewind Starter	78	690364	Screw (Flywheel Guard)	Note _____					
58	692188	Rope–Starter (63" Long)	81	691729	Lock–Muffler Screw	691477	Nozzle–Carburetor (Standard) (LMT 172)				
58A	695002	Rope–Starter (99" Long) (Cut to Required Length)	93	◆690602	Bushing–Throttle Shaft	498716	Nozzle–Carburetor (Standard) (LMT 141)				
58C	693389	Rope–Starter (70 " Long)	94	496589	Kit–Idle Mixture (LMT 172)	◆497564	Nozzle–Carburetor (Standard) (LMT 113, 114, 116)				
59	490653	Insert–Grip	Note _____		494383	Kit–Idle Mixture (LMT 102, 113, 114, 116)	◆497197	Nozzle–Carburetor (Standard) (LMT 102)			
60	490652	Grip–Starter Rope	95	◆691636	Screw (Throttle Valve)	498836	Kit–Idle Mixture (LMT 141)	◆497197	Nozzle–Carburetor (Standard) (LMT 113, 114, 116)		
63	690547	Spring–Ratchet (Used Before Code Date 99030100).	98	495800	Kit–Idle Speed	143	690129	Nozzle–Carburetor (High Altitude) (LMT 186)			
64	691920	Adapter–Ratchet Spring (Used Before Code Date 99030100).	98A	493280	Kit–Idle Speed	Note _____					
65	692200	Screw (Rewind Starter) (Used After Code Date 99022800).	104	◆690525	Pin–Float Hinge	499826	Nozzle–Carburetor (High Altitude) (LMT 172)				
65A	690837	Screw (Rewind Starter) (Used Before Code Date 99030100).	105	◆691782	Valve–Float Needle	499032	Nozzle–Carburetor (High Altitude) (LMT 141)				
66	399671	Clutch–Starter (Used Before Code Date 99030100).	106	◆691780	Seat–Inlet	497848	Nozzle–Carburetor (High Altitude) (LMT 113, 114, 116)				
67	394897	Housing–Clutch (Used Before Code Date 99030100).	108	690467	Valve–Choke	497198	Nozzle–Carburetor (High Altitude) (LMT 102)				
68	691604	Ball–Clutch (Used Before Code Date 99030100).	121	497849	Kit–Carburetor Overhaul (Used After Code Date 94062300).	144	697843	Pulley/Spring Assembly			
70	691945	Ratchet–Clutch (Used Before Code Date 99030100).	Note _____		497166	Kit–Carburetor Overhaul (Used Before Code Date 94062400).	146	690979	Key–Timing		
71	691359	Cover–Ratchet (Used Before Code Date 99030100).	125	690115	Carburetor (LMT 186)	499029	Carburetor (LMT 116, 141, 172)	187	691050	Line–Fuel (Cut to Required Length)	
						497164	Carburetor (LMT 102, 113, 114) (Used Before Code Date 94090100).	187A	497029	Line–Fuel (Molded)	
			127	◆694524	Plug–Welch	148	691693	Screw (Control Bracket)			
			130	691750	Valve–Throttle						
			131	497846	Kit–Throttle Shaft						
			131A	497159	Kit–Throttle Shaft (Used Before Code Date 94090100).						
			133	494381	Float–Carburetor						

★ Included in Engine Gasket Set–Ref. No.358.

● Included in Carburetor Overhaul Kit–Ref. No. 121.

◆ Included in Carburetor Gasket Set–Ref. No. 977.

⊘ Included in Valve Gasket Set–Ref. No 1095.

REF. NO.	PART NO.	DESCRIPTION	REF. NO.	PART NO.	DESCRIPTION	REF. NO.	PART NO.	DESCRIPTION
209	692136	Spring—Governor	268	691025	Casing—Control Wire (Cut to Required Length)	349	691105	Nut (Cylinder Head Cover)
209A	260723	Spring—Governor Used on Type No(s). 0069, 0073, 0107, 0108, 0120, 0132.	269	691026	Wire—Control (Cut to Required Length)	356	398838	Wire—Stop
209B	263054	Spring—Governor (Used Before Code Date 97042800).	270	691027	Nut (Control Wire Casing)	356D	491927	Wire—Stop Used on Type No(s). 0135, 1135.
212	691853	Link—Throttle (Linkage Lever To Throttle Shaft)	271	691028	Lever—Control	356F	398808	Wire—Stop
212A	691854	Link—Throttle (Governor Control Lever To Linkage Lever)	276	◆692255	Washer—Sealing	358	497070	Gasket Set—Engine
212B	262970	Link—Throttle (Governor Control Lever to Throttle Shaft) Used on Type No(s). 0069, 0073, 0107, 0108, 0120, 0132.	298	690453	Locknut—Muffler Elbow	359	691077	Washer (Ground Terminal)
215	691170	Guide—Air	300A	692025	Muffler (Round Lo Tone)	360	691612	Nut (Fuel Tank Bracket)
219	496786	Gear—Governor	300B	691951	Muffler (Lo Tone) Used on Type No(s). 0130.	363	19203	Flywheel Puller
220	691724	Washer (Governor Gear)	304	491596	Housing—Blower ————— Note ————— 491592 Housing— Blower Used on Type No(s). 0074, 0108, 0120, 0135, 1075, 1120, 1135, 1164.	367	691058	Screw (Wire Clip)
222	694182	Bracket—Control	305	692198	Screw (Blower Housing)	373	691612	Nut (Ground Terminal)
222A	691480	Bracket—Control (Used Before Code Date 98111600 and After Code Date 97042700). ————— Note ————— 497076 Bracket— Control (Used Before Code Date 97042800).	306	496797	Shield—Cylinder	383	89838	Wrench—Spark Plug
222B	693606	Bracket—Control Used on Type No(s). 1100, 1101, 1102.	307	691003	Screw (Cylinder Shield)	385	691673	Screw (Fuel Pump)
227	692143	Lever—Governor Control (Short Lever)	308A	691212	Cover—Cylinder Head	387	692026	Pump—Fuel
227A	496253	Lever—Governor Control (Long Lever)	309	693054	Motor—Starter	403	690288	Washer (End Cap)
232	691848	Spring—Governor Link	309A		Motor—Starter (For Replacement Starter Motor, Order Ref. 309)	404	691691	Washer (Governor Crank)
232A	691846	Spring—Governor Link	310	690323	Bolt (Starter Motor) (3 5/8" Housing Length)	425	691671	Screw (Air Cleaner Cover)
240	394358	Filter—Fuel	311	497608	Brush Set	427	690355	Nut (Control Bracket)
257	691660	Screw (Starter Clutch)	311A	395538	Brush Set (3 5/8" Housing Length)	428	691612	Nut (OIL GARD® Kit)
265	691024	Clamp—Casing	324	695160	Screen/Cup Assembly	445	691643	Filter—Air Cleaner Cartridge
267	690804	Screw (Casing Clamp)	332	693899	Nut (Flywheel) (Used After Code Date 98111500).	453	691131	Screw (Electro Magnet Bracket)
			333	398811	Armature—Magneto	456	692299	Plate—Pawl Friction (Used After Code Date 99022800).
			334	691061	Screw (Magneto Armature)	459	281505	Pawl—Ratchet (Used After Code Date 99022800).
			337	496018	Plug—Spark	464	691898	O-Ring Seal (Fuel Shut—Off Valve)
			346	690661	Screw (Spark Arrestor)	474	696459	Alternator (Dual Circuit)
						474A	696578	Alternator (DC Only)
						485	692295	Knob—Control (Air Cleaner)
						489	691776	Screw (Linkage Lever)

★ Included in Engine Gasket Set—Ref. No.358.

● Included in Carburetor Overhaul Kit—Ref. No. 121.

◆ Included in Carburetor Gasket Set—Ref. No. 977.

∅ Included in Valve Gasket Set—Ref. No 1095.

19E400

REF. NO.	PART NO.	DESCRIPTION	REF. NO.	PART NO.	DESCRIPTION	REF. NO.	PART NO.	DESCRIPTION
503	691532	Strap–Starter	655	691734	Anchor–Rewind Spring (Used Before Code Date 99030100).	869	691703	Seat–Valve (Intake)
505	691251	Nut (Governor Control Lever)	661	690661	Screw (OIL GARD® Light Bracket)	870	691844	Seat–Valve (Exhaust)
507	691972	Insulator	674	690708	Screw (Fuel Tank Bracket)	871	261961	Bushing–Valve Guide (Exhaust)
510	497606	Drive–Starter	678	490817	Spacer–Rewind (Used Before Code Date 99030100).	Note		
510A	495878	Drive–Starter	689	691855	Spring–Friction (Used After Code Date 99022800).	231218		Bushing–Valve Guide (Intake)
513	692024	Clutch–Drive	695	693109	Screw (Ring Gear)	876	495877	Kit–Pinion Spring
520	691084	Terminal–Ground	697	690372	Screw (Drive Cap)	877	393814	Wire/Connector– Alternator (DC Only)
544	692034	Armature–Starter	718	690959	Pin–Locating	877A	393456	Wire/Connector– Alternator (Dual Circuit)
544A	390837	Armature–Starter (3 5/8" Housing Length)	726	399676	Gear–Ring	877B	399916	Wire/Connector– Alternator
552	491986	Bushing–Governor Crank	727	395405	Cover–Starter Drive	883	Ø*692237	Gasket–Exhaust
562	691119	Bolt (Governor Control Lever)	729A	690430	Clip–Wire (OIL GARD® Kit)	895	692309	Switch–Rotary
578A	692306	Wire Assembly	729B	224723	Clip–Wire (Starter Motor)	896A	691641	Pin–Drive Retainer
579	691029	Nut (Starter Cable)	729C	691224	Clip–Wire (Starter Motor)	898	691077	Washer (OIL GARD® Kit)
579A	691626	Nut (Starter Cable)	732	691097	Screw (Starter Drive Cover)	918	497457	Hose–Vacuum
592	690800	Nut (Rewind Starter)	741	691288	Gear–Timing	918A	393815	Hose–Vacuum (Cut to Required Length)
597	691696	Screw (Pawl Friction Plate) (Used After Code Date 99022800).	783	693059	Gear–Pinion	950	691657	Screw–Float Bowl
601	95162	Clamp–Hose	789	398661	Harness–Wiring	957	493988	Cap–Fuel Tank
608	693900	Starter–Rewind (70" Long) (Used After Code Date 99022800).	797	691029	Nut (Brush Retainer)	958	698182	Valve–Fuel Shut Off
608A	390391	Starter–Rewind (63" Long) (Used Before Code Date 99030100).	801A	691283	Cap–Drive	968	691925	Cover–Air Cleaner
613A	691632	Screw (Muffler) Used on Type No(s). 0130.	802	691286	Cap–End	971	691003	Screw (Air Cleaner Base to Carburetor)
614	691620	Pin–Cotter	802A	395537	Cap–End (3 5/8" Housing Length)	972	691993	Tank–Fuel (4 Quart)
616	691405	Crank–Governor	803	693757	Housing–Starter	975	495933	Bowl–Float
624	691415	Lever–Linkage	803B	398159	Housing–Starter (3 5/8" Housing Length)	977	497069	Gasket Set–Carburetor
634	●690802	Spring/Seal Assembly	823	691665	Screw (Muffler Adapter)	978	*273326	Gasket–Oil Gard®
635	66538	Boot–Spark Plug	851	493880	Terminal–Spark Plug	979	691382	Cover–Oil Gard®
			864	497140	Adapter–Muffler	980	398182	Kit–Oil Gard®
			868	692036	Seal–Valve	982	690351	Screw (OIL GARD® Cover)
						982A	690350	Screw (OIL GARD® Kit)
						983	398660	Light–Indicator
						984	692340	Bracket–Oil Gard® Light
						987	●691326	Seal–Throttle Shaft
						994	399541	Arrestor–Spark
						1019	497156	Kit–Label

★ Included in Engine Gasket Set–Ref. No.358.

● Included in Carburetor Overhaul Kit–Ref. No. 121.

◆ Included in Carburetor Gasket Set–Ref. No. 977.

Ø Included in Valve Gasket Set–Ref. No.1095.

REF. NO.	PART NO.	DESCRIPTION	REF. NO.	PART NO.	DESCRIPTION	REF. NO.	PART NO.	DESCRIPTION
1036	696768	Label-Emissions (Used After Code Date 01073000). ———— Note ———— 695696 Label-Emissions (Used After Code Date 00063000 and Before Code Date 01073100). 694988 Label-Emissions (Used After Code Date 99093000 and Before Code Date 00070100). 694313 Label-Emissions (Used After Code Date 98123100 and Before Code Date 99100100). 499354 Label-Emissions (Used Before Code Date 99010100).	1042	691229	Bracket-Electromagnetic			
			1051	691265	Ring-Retaining			
			1058	274786	Owner's Manual			
			1059	698516	Kit-Screw/Washer			
			1083A	690958	Nut (End Cap)			
			1090	691293	Retainer-Brush			
			1095	498534	Gasket Set-Valve			
			1119	691183	Screw (Alternator)			
			1147	690355	Nut (Control Bracket)			

★ Included in Engine Gasket Set-Ref. No.358.
● Included in Carburetor Overhaul Kit-Ref. No. 121.

◆ Included in Carburetor Gasket Set-Ref. No. 977.
∅ Included in Valve Gasket Set-Ref. No 1095.