

Illustrated Parts List

Model Series

19A400 to 19A499

TYPE NUMBERS
0076, 0199, 0601.

TO FIND
THE CORRECT NUMBER OF THE PART YOU NEED:
FOLLOW THE INSTRUCTIONS BELOW

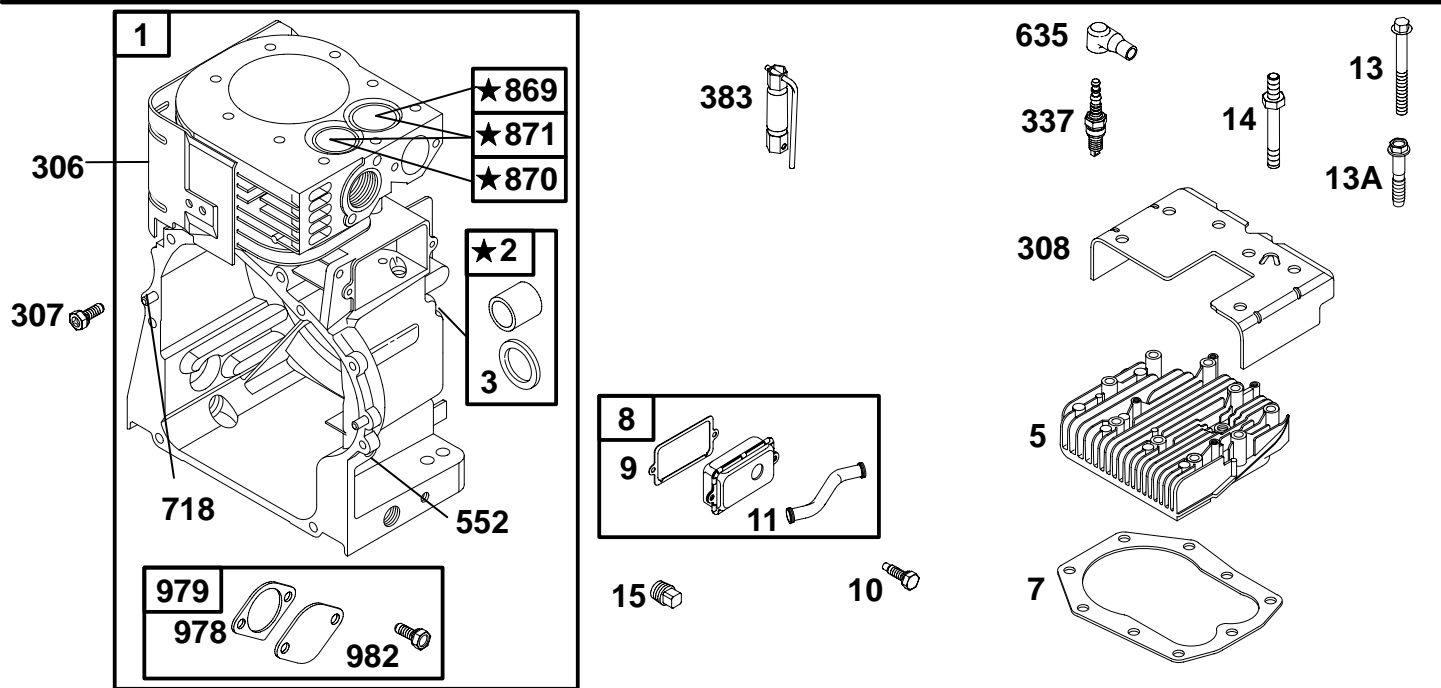
- A. Refer to Engine Model, Type and Code Number that is stamped on the blower housing of engine. Engine type numbers such as 0123 01 are listed only as 0123 in most instances. The two digits (01 or 02, etc.) to the right of the space may be required for more accurate parts identification in some instances. Select the Illustrated Parts List covering the correct Model Series and Type Number.
- B. Refer to the Illustrations and compare the original part with Illustration. The number next to the illustration is the Reference Number. Assemblies include all parts shown in frames. All parts shown in assembly frames having individual reference numbers can be purchased separately.
- C. After the Reference Number has been identified, refer to the Numerical text, where Reference and Primary Part Number are listed. **THE PRIMARY PART IS USED ON ALL TYPE NUMBERS EXCEPT THOSE TYPE NUMBERS UNDER "NOTE."**
- D. If a "Note" appears below the Primary Part Number, it means that this part differs from the Primary Part for certain types. If your Type number is listed under "Note," order the part referred to at the "Note."
- E. If your Engine Type Number does not appear after any part number listed under "Note," use the Primary Part Number.
- F. For Engine Type Numbers not covered by this book, check other Parts Lists having the same engine model or contact your source of supply.

PRINTED IN U.S.A.



COPYRIGHT by BRIGGS & STRATTON CORPORATION
All rights reserved. No part of this material may be reproduced or transmitted, in any form or by any means, electronic or mechanical, including photocopying, recording or by any information storage and retrieval system, without permission in writing from Briggs & Stratton Corporation.

19A400 to 19A499



★ REQUIRES SPECIAL TOOLS TO INSTALL. SEE REPAIR INSTRUCTION MANUAL.

1019 LABEL KIT

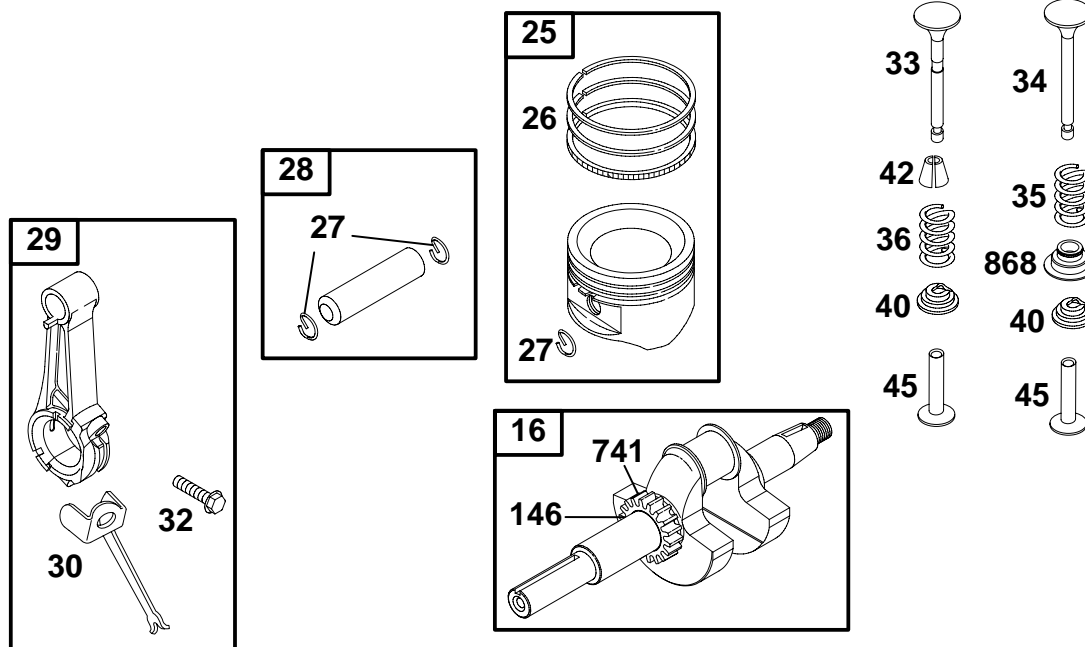
1058 OWNER'S MANUAL

REF. NO.	PART NO.	DESCRIPTION	REF. NO.	PART NO.	DESCRIPTION	REF. NO.	PART NO.	DESCRIPTION
1	495631	Cylinder Assembly	14	94926	Stud (Cylinder Head)	871	261961	Guide Bushing (Exhaust)
2	495657	Bushing/Seal Kit (Magneto Side)	15	94239	Oil Drain Plug	———— Note ————		
3	★391086	Oil Seal (Magneto Side)	306	496797	Cylinder Shield	231218		Guide Bushing (Intake)
5	691159	Cylinder Head	307	691003	Screw (Cylinder Shield)	978	★273326	Oil GARD®Gasket
7	★∅272163	Cylinder Head Gasket	308	691212	Cylinder Head Cover	979	691382	Oil GARD®Cover
8	498038	Breather Assembly	337	496018	Spark Plug	982	690351	Screw (Oil GARD®Cover)
9	★∅27803	Breather Gasket	383	89838	Spark Plug Wrench	1019	491181	Label Kit
10	691666	Screw (Breather Assembly)	552	491986	Governor Crank Bushing	1058	274268	Owner's Manual (Emission Engines)
11	280819	Breather Tube	635	66538	Sparkplug Boot	———— Note ————		
13	94565	Screw (Cylinder Head) (3 9/16" Long)	718	230192	Locating Pin	272848		Owner's Manual (Non Emission Engines)
13A	94622	Screw (Cylinder Head) (3" Long)	869	211661	Valve Seat (Intake)			
			870	211661	Valve Seat (Exhaust)			

★ Included in Engine Gasket Set—Ref. No. 358.
 • Included in Carburetor Overhaul Kit—Ref. No. 121.

∅ Included in Valve Gasket Set—Ref. No. 1095.
 ♦ Included in Carburetor Gasket Set—Ref. No. 977.

19A400 to 19A499

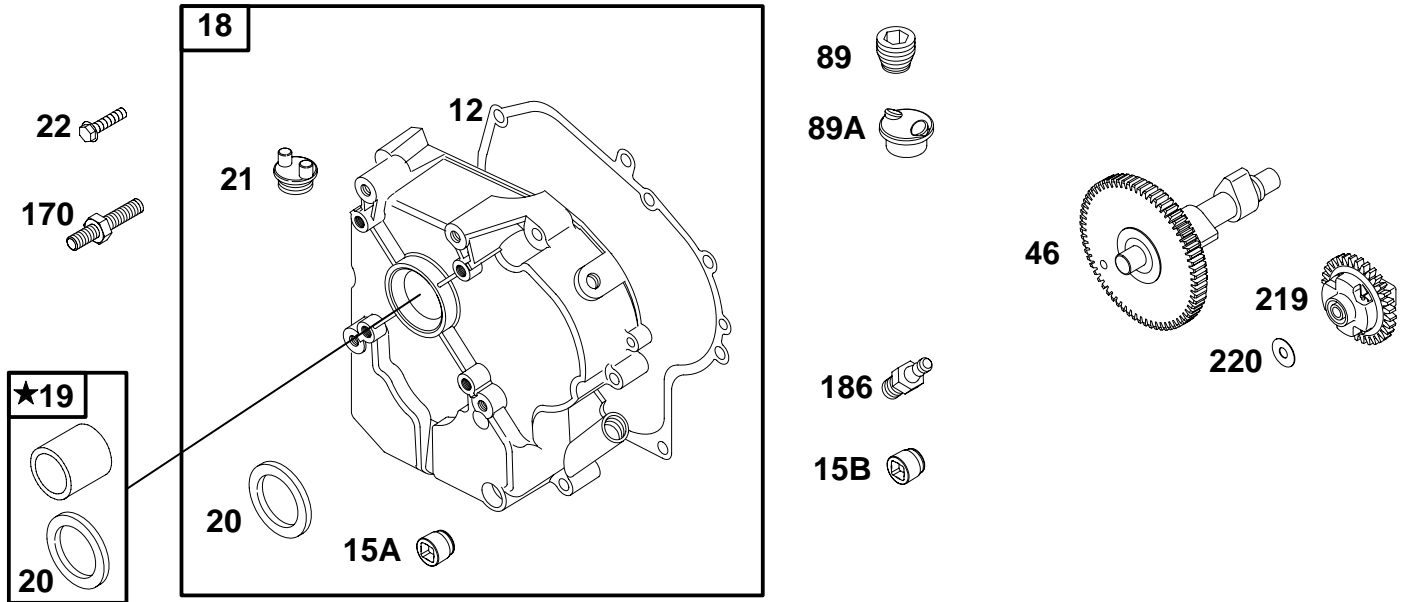


REF. NO.	PART NO.	DESCRIPTION	REF. NO.	PART NO.	DESCRIPTION	REF. NO.	PART NO.	DESCRIPTION
16	495790	Crankshaft —— Note —— 495648 Crankshaft Used on Type No(s). 0199.	26	391669	Ring Set (Standard) —— Note —— 299743 Ring Set (Std., Chrome) 391670 Ring Set (.010 O.S.) 391671 Ring Set (.020 O.S.) 690020 Ring Set (.030 O.S.)	30	222113	Connecting Rod Dipper
25	391673	Piston Assembly (Standard) —— Note —— 391674 Piston Assy. (.010 O.S.) 391675 Piston Assy. (.020 O.S.) 391676 Piston Assy. (.030 O.S.)	27	691073	Piston Pin Lock	32	690352	Screw (Connecting Rod)
			28	295840	Piston Pin (Standard) —— Note —— 295841 Piston Pin (.005 O.S.)	33	691287	Exhaust Valve
			29	390401	Connecting Rod —— Note —— 390773 Connecting Rod (.020 Undersize)	34	261055	Intake Valve
						35	65906	Valve Spring (Intake)
						36	26828	Valve Spring (Exhaust)
						40	221596	Valve Retainer (Intake)
						42	494553	Valve Keeper (Exhaust)
						45	260933	Valve Tappet
						146	94388	Timing Key
						741	691288	Timing Gear
						868	497656	Valve Seal

★ Included in Engine Gasket Set—Ref. No. 358.
● Included in Carburetor Overhaul Kit—Ref. No. 121.

◊ Included in Valve Gasket Set—Ref. No. 1095.
◆ Included in Carburetor Gasket Set—Ref. No. 977.

19A400 to 19A499



★ **REQUIRES SPECIAL TOOLS TO INSTALL.**
SEE REPAIR INSTRUCTION MANUAL.

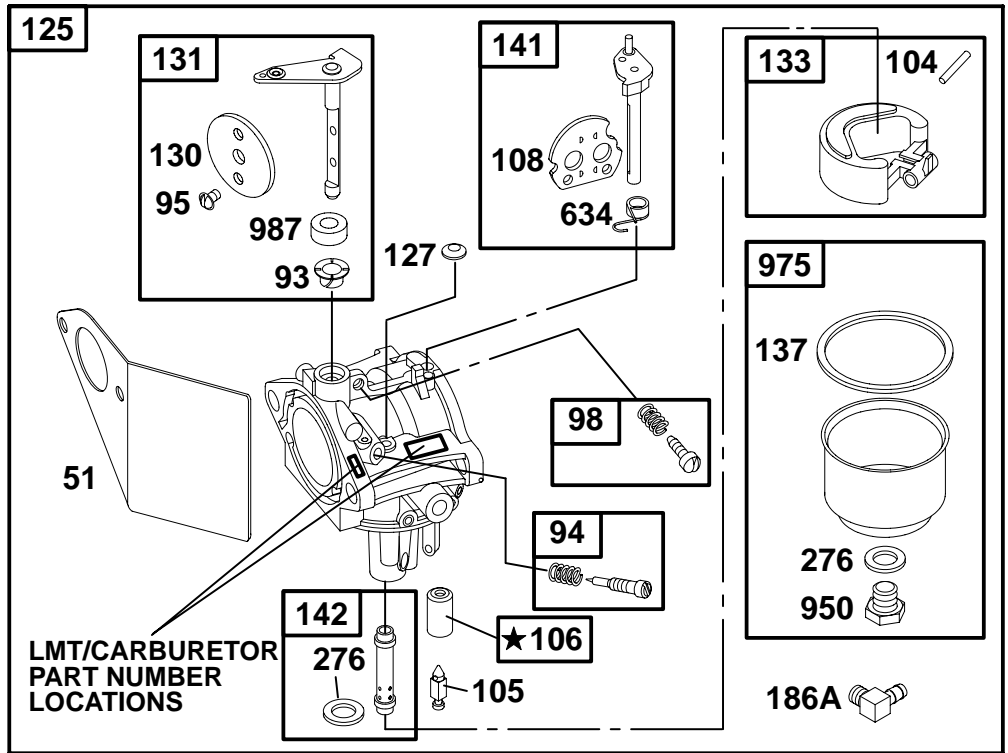
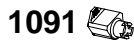
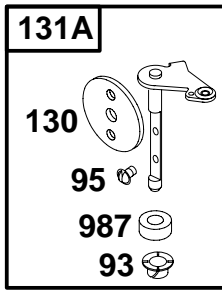
REF. NO.	PART NO.	DESCRIPTION	REF. NO.	PART NO.	DESCRIPTION	REF. NO.	PART NO.	DESCRIPTION
12	★271701	Crankcase Gasket (.015 Thick, Std.)	18	496984	Crankcase Cover	22	93585	Screw (Crankcase Cover)
		Note			Note			Note
	★27876	Crankcase Gasket (.005 Thick)		496982	Crankcase Cover		691103	Screw (Crankcase Cover)
	★27877	Crankcase Gasket (.009 Thick)			Used on Type No(s). 0199.			(Used in No. 1 Position)
15A	94880	Oil Drain Plug	19	295964	Bushing/Seal Kit (PTO Side)	46	211689	Camshaft
15B	805059	Oil Drain Plug	20	★391086	Oil Seal (PTO Side)	89	281658	Oil Plug
			21	66768	Oil Fill Cap	89A	691680	Oil Plug
						170	94931	Stud (Crankcase Cover)
						186	230318	Hose Connector
						219	496786	Governor Gear
						220	221551	Washer (Governor Gear)

★ Included in Engine Gasket Set—Ref. No. 358.
 • Included in Carburetor Overhaul Kit—Ref. No. 121.

∅ Included in Valve Gasket Set—Ref. No. 1095.
 ♦ Included in Carburetor Gasket Set—Ref. No. 977.

19A400 to 19A499

★ REQUIRES SPECIAL TOOLS TO INSTALL. SEE REPAIR INSTRUCTIONS MANUAL.



NOTE: SEE NEXT PAGE FOR ADDITIONAL CARBURETOR PARTS INFORMATION

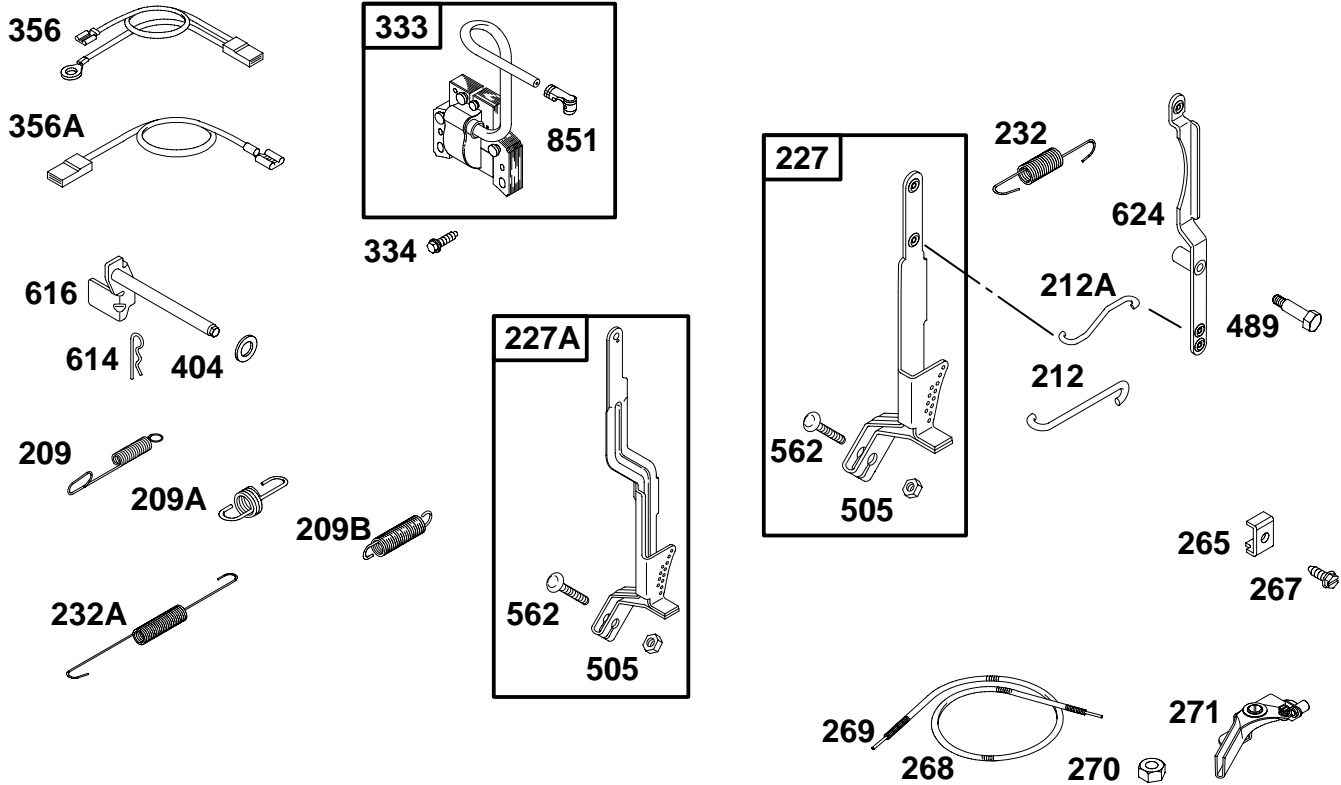
LMT/CARBURETOR PART NUMBER LOCATIONS

REF. NO.	PART NO.	DESCRIPTION	REF. NO.	PART NO.	DESCRIPTION	REF. NO.	PART NO.	DESCRIPTION
51	●♦272708	Intake Gasket	125	497581	Carburetor	142	499094	Carburetor Nozzle (Standard)
93	●690602	Throttle Shaft Bushing			Note			Note
94	494383	Idle Mixture Kit			497038 Carburetor (Used Before Code Date 94090100).			497196 Carburetor Nozzle (Standard) (Used Before Code Date 94090100).
94A	498836	Idle Mixture Kit	127	695005	Welch Plug	147	●497472	Pilot Jet (Used Before Code Date 94090100).
95	●94098	Screw (Throttle Valve)	130	690468	Throttle Valve	186A	493496	Hose Connector
98	495800	Idle Speed Kit	131	693602	Throttle Shaft Kit	276	●♦281164	Sealing Washer
104	●690525	Float Hinge Pin	131A	497042	Throttle Shaft Kit (Used Before Code Date 94090100).	634	●690802	Spring and Seal Assembly
105	●231935	Float Valve Needle				950	94642	Screw (Float Bowl)
106	●231856	Inlet Seat	133	494381	Carburetor Float	975	495933	Float Bowl
108	692344	Choke Valve	137	●♦281165	Float Bowl Gasket	987	●691326	Throttle Shaft Seal
			141	497043	Choke Shaft Kit	1091	691333	Limiter Cap

★ Included in Engine Gasket Set—Ref. No. 358.
 ● Included in Carburetor Overhaul Kit—Ref. No. 121.

∅ Included in Valve Gasket Set—Ref. No. 1095.
 ♦ Included in Carburetor Gasket Set—Ref. No. 977.

19A400 to 19A499

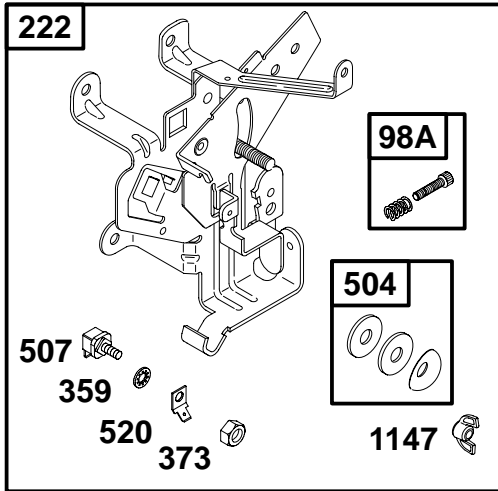


REF. NO.	PART NO.	DESCRIPTION	REF. NO.	PART NO.	DESCRIPTION	REF. NO.	PART NO.	DESCRIPTION
209	691309	Governor Spring	268	65616	Control Wire Casing (Cut to Length)	489	231520	Screw (Linkage Lever)
209A	263054	Governor Spring	269	26633	Control Wire (Cut to Length)	505	691251	Nut (Governor Control Lever)
209B	260723	Governor Spring (Used Before Code Date 94090100).	270	63426	Nut (Control Wire Casing)	562	94852	Bolt (Governor Control Lever)
212	263049	Throttle Link	271	290568	Control Lever	614	93306	Cotter Pin
212A	263051	Throttle Link	333	492341	Magneto Armature	616	691405	Governor Crank
227	692143	Governor Lever	334	94731	Screw (Magneto Armature)	624	691415	Linkage Lever
227A	496253	Governor Lever	356	491391	Stop Wire	851	493880	Spark Plug Terminal
232	263020	Governor Link Spring	356A	491927	Stop Wire			
265	221535	Casing Clamp	404	94927	Washer (Governor Crank)			
267	690804	Screw (Casing Clamp)						

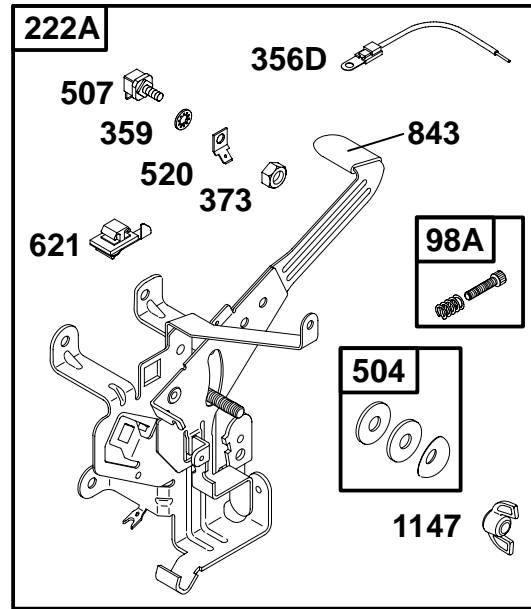
★ Included in Engine Gasket Set—Ref. No. 358.
 ● Included in Carburetor Overhaul Kit—Ref. No. 121.

∅ Included in Valve Gasket Set—Ref. No. 1095.
 ◆ Included in Carburetor Gasket Set—Ref. No. 977.

19A400 to 19A499



188 



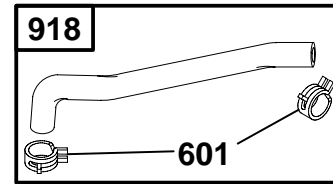
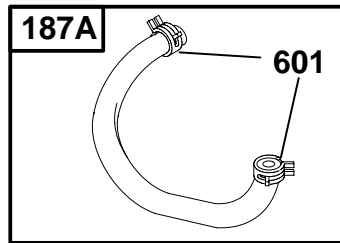
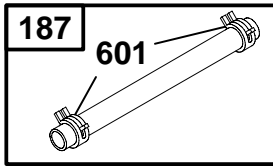
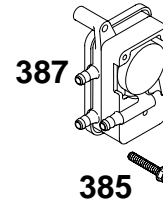
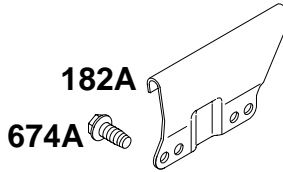
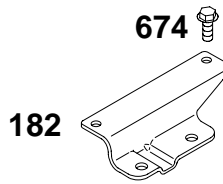
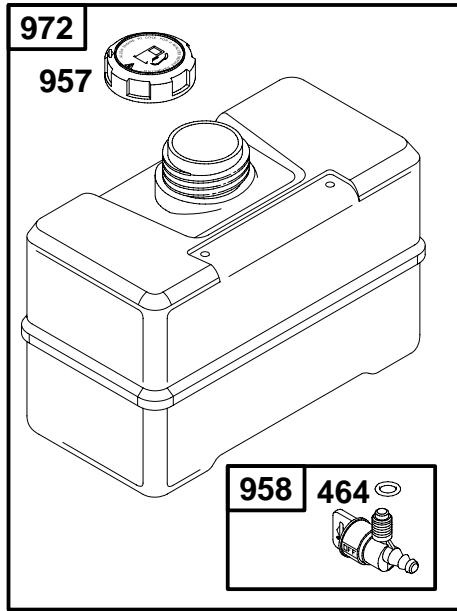
188 

REF. NO.	PART NO.	DESCRIPTION	REF. NO.	PART NO.	DESCRIPTION	REF. NO.	PART NO.	DESCRIPTION
98A	493280	Idle Speed Kit	356D	691408	Stop Wire	507	398525	Insulator
188	94929	Screw (Control Bracket)	359	691077	Washer (Ground Terminal)	520	691084	Ground Terminal
222	691480	Control Bracket	373	90576	Nut (Ground Terminal)	621	396847	Stop Switch
222A	691478	Control Bracket Used on Type No(s). 0199.	504	495659	Friction Washer Set	843	691322	Lever Sleeve
						1147	690355	Nut (Control Bracket)

★ Included in Engine Gasket Set—Ref. No. 358.
● Included in Carburetor Overhaul Kit—Ref. No. 121.

∅ Included in Valve Gasket Set—Ref. No. 1095.
◆ Included in Carburetor Gasket Set—Ref. No. 977.

19A400 to 19A499

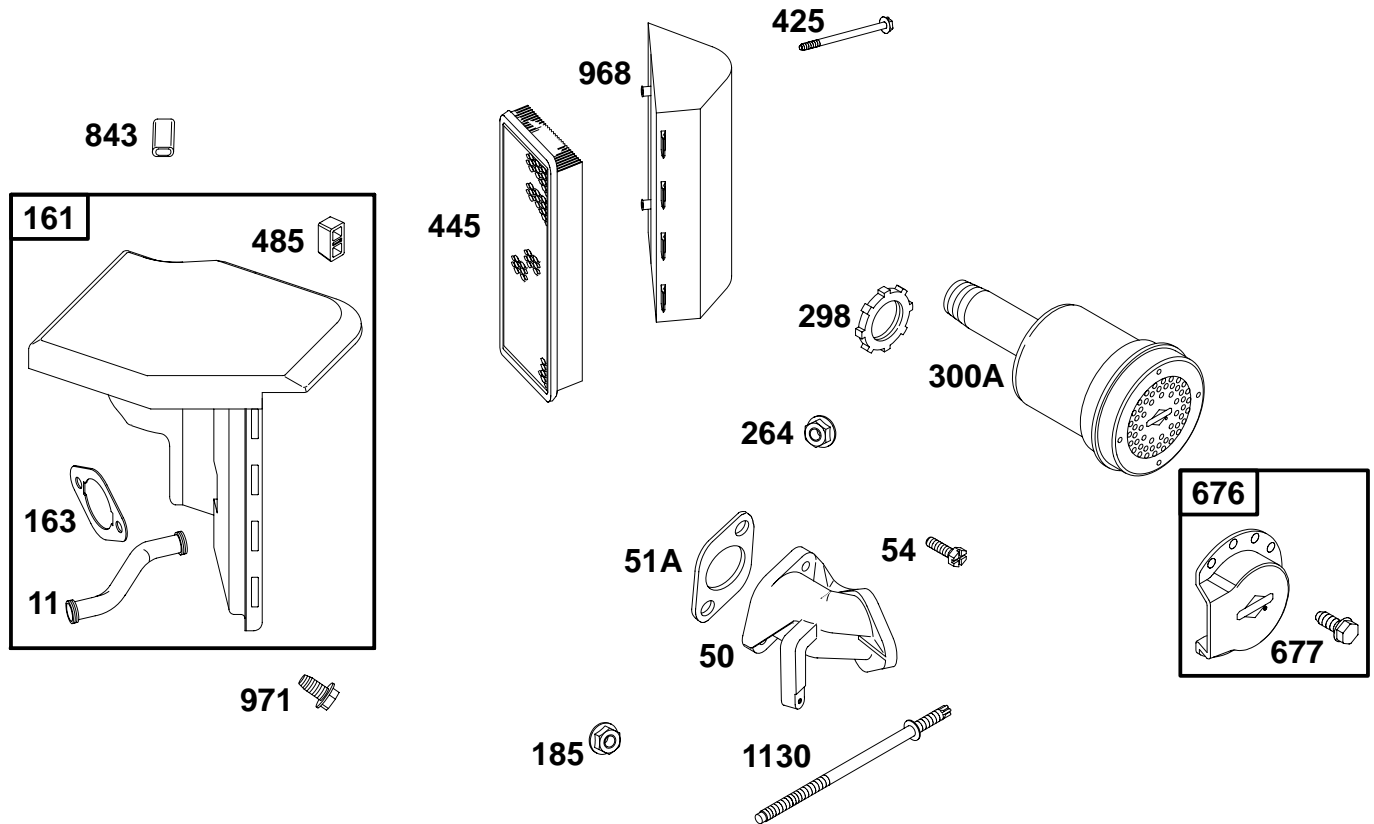


REF. NO.	PART NO.	DESCRIPTION	REF. NO.	PART NO.	DESCRIPTION	REF. NO.	PART NO.	DESCRIPTION
182	495664	Fuel Tank Bracket	387	496257	Fuel Pump	674A	94627	Screw (Fuel Tank Bracket)
182A	492990	Fuel Tank Bracket	464	280203	O-Ring Seal (Fuel Shut Off Valve)	918	497457	Vacuum Hose
187	296004	Fuel Line (Cut to Length)	601	95162	Hose Clamp	957	493988	Fuel Tank Cap
187A	497029	Fuel Line	674	690708	Screw (Fuel Tank Bracket)	958	399517	Fuel Shut-Off Valve
385	94789	Screw (Fuel Pump)				972	493337	Fuel Tank

★ Included in Engine Gasket Set—Ref. No. 358.
● Included in Carburetor Overhaul Kit—Ref. No. 121.

∅ Included in Valve Gasket Set—Ref. No. 1095.
◆ Included in Carburetor Gasket Set—Ref. No. 977.

19A400 to 19A499

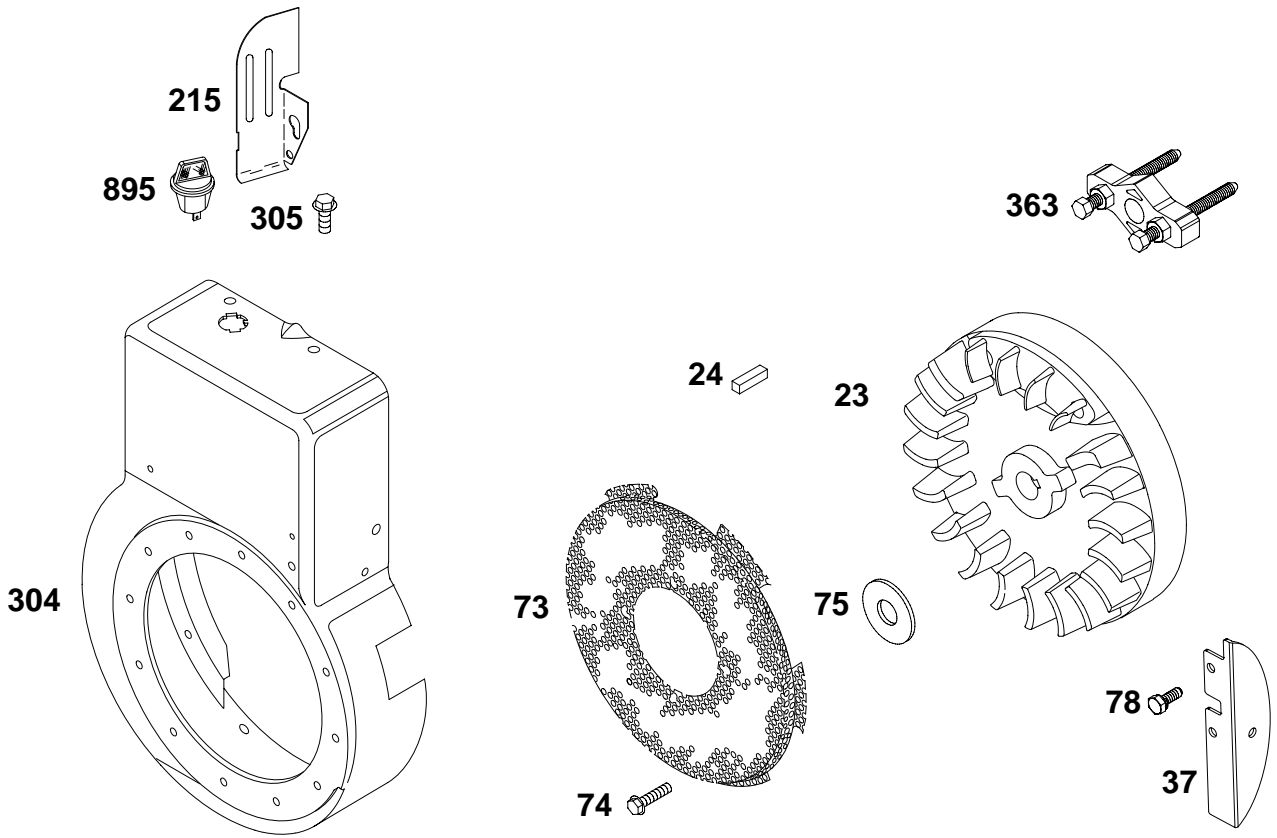


REF. NO.	PART NO.	DESCRIPTION	REF. NO.	PART NO.	DESCRIPTION	REF. NO.	PART NO.	DESCRIPTION
11	280819	Breather Tube	300A	496127	Exhaust Muffler	843	280149	Sleeve Lever
50	691157	Intake Manifold	300B	497141	Exhaust Muffler	968	281357	Air Cleaner Cover
51A	★Ø272707	Intake Gasket	425	94777	Screw (Air Cleaner Cover)	971	691003	Screw (Air Cleaner Base)
54	94913	Screw (Intake Manifold)	445	496077	Air Cleaner Cartridge Filter	1130	94778	Stud (Intake Manifold)
161	497669	Air Cleaner Base	485	280715	Control Knob	1174	94010	Nut (Intake Manifold)
163	★Ø273101	Air Cleaner Gasket	676	393757	Muffler Deflector			
185	94010	Nut	677	94896	Screw (Muffler Deflector)			
264	691105	Nut						
298	261409	Muffler/Elbow Locknut						

★ Included in Engine Gasket Set—Ref. No. 358.
 ● Included in Carburetor Overhaul Kit—Ref. No. 121.

Ø Included in Valve Gasket Set—Ref. No. 1095.
 ◆ Included in Carburetor Gasket Set—Ref. No. 977.

19A400 to 19A499

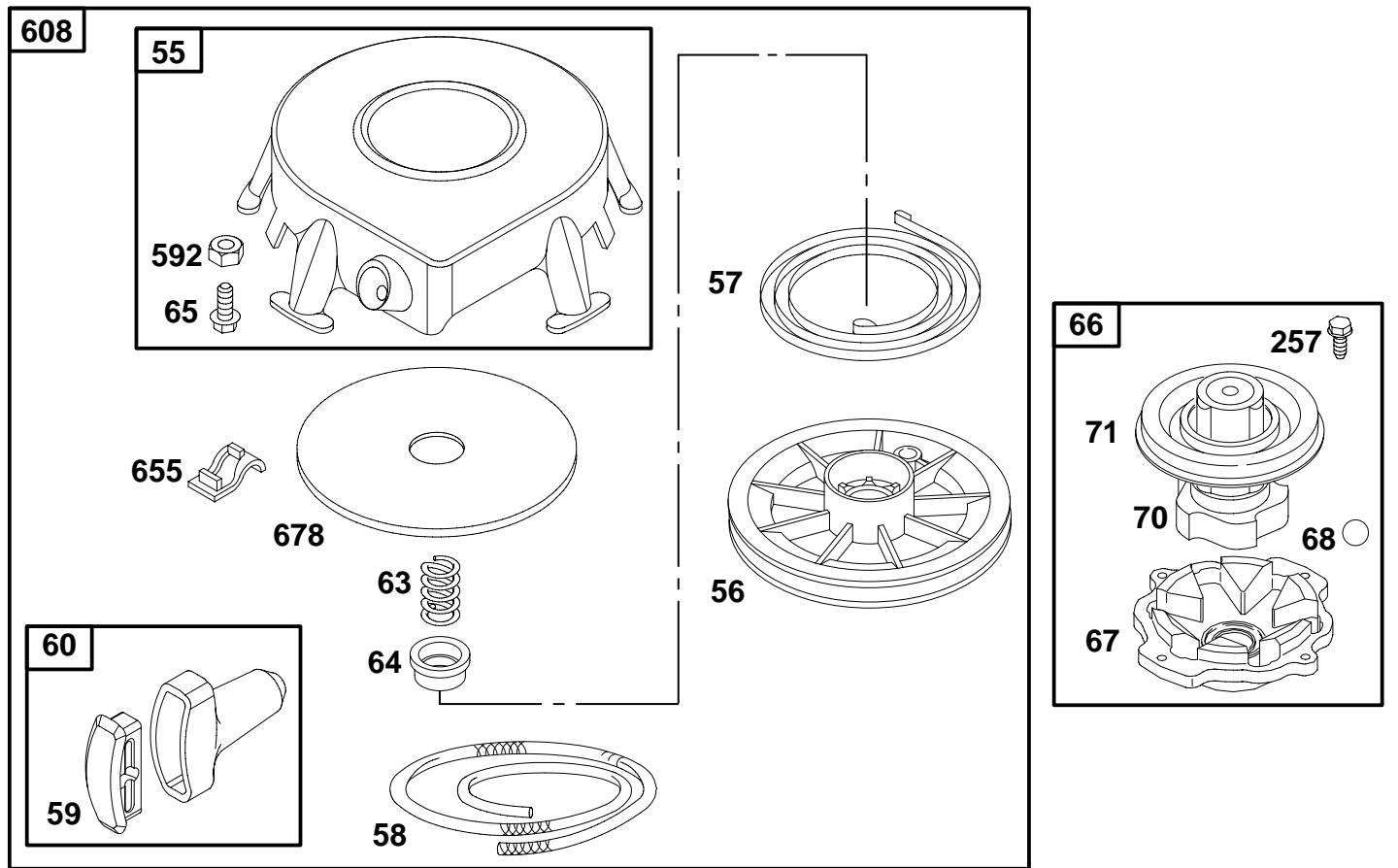


REF. NO.	PART NO.	DESCRIPTION	REF. NO.	PART NO.	DESCRIPTION	REF. NO.	PART NO.	DESCRIPTION
23	690615	Flywheel	75	225136	Washer (Flywheel)	304	491596	Blower Housing
24	222698	Flywheel Key	78	690364	Screw (Flywheel Guard)	305	94786	Screw (Blower Housing)
37	690411	Flywheel Guard	215	691170	Air Guide	895	396691	Rotary Switch
73	224874	Rotating Screen						
74	93758	Screw (Rotating Screen)						

★ Included in Engine Gasket Set—Ref. No. 358.
● Included in Carburetor Overhaul Kit—Ref. No. 121.

∅ Included in Valve Gasket Set—Ref. No. 1095.
◆ Included in Carburetor Gasket Set—Ref. No. 977.

19A400 to 19A499

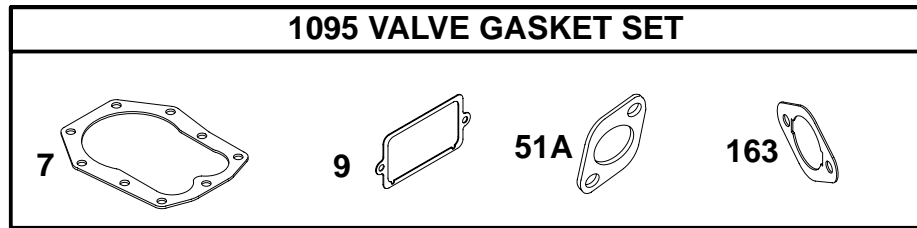
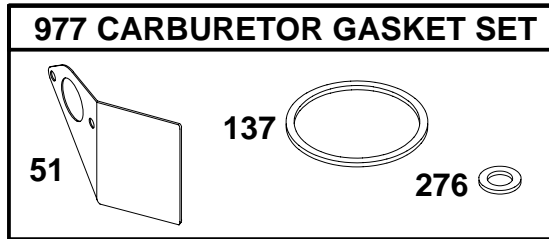
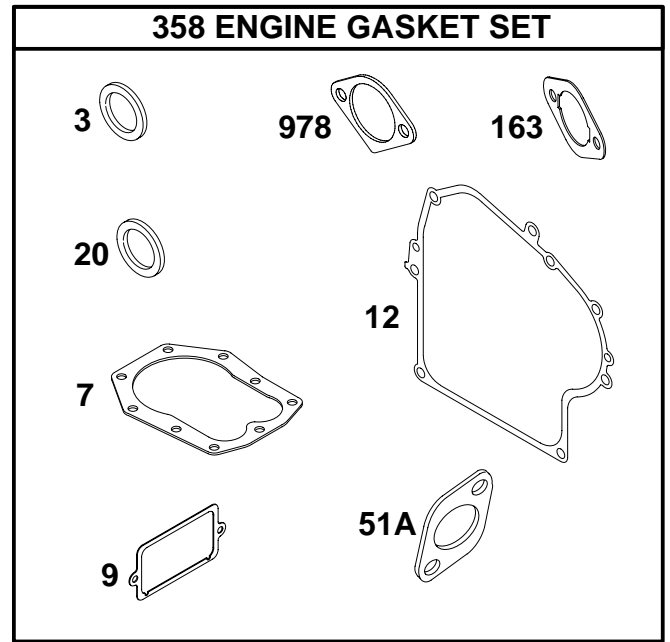
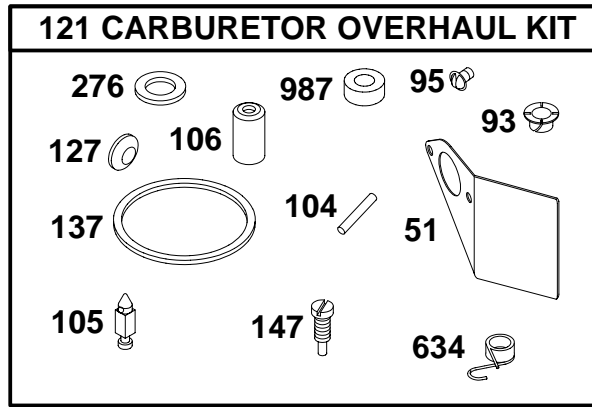


REF. NO.	PART NO.	DESCRIPTION	REF. NO.	PART NO.	DESCRIPTION	REF. NO.	PART NO.	DESCRIPTION
55A	393576	Rewind Starter Housing (Used Before Code Date 98111600).	60	490652	Starter Rope Grip	71	691359	Ratchet Cover
56A	295871	Starter Pulley (Used Before Code Date 98111600).	63	260414	Ratchet Spring	257	94680	Screw (Starter Clutch)
57A	490179	Rewind Starter Spring (Used Before Code Date 98111600).	64	281204	Ratchet Spring Adapter	592	94908	Nut (Rewind Starter) (Used Before Code Date 98111600).
58	66884	Starter Rope (63" Long)	65	94904	Screw (Rewind Starter)	608A	390391	Rewind Starter (Used Before Code Date 98111600).
59	490653	Grip Insert	66	399671	Starter Clutch (Used Before Code Date 99030100)	655	222598	Rewind Spring Anchor
			67	394897	Clutch Housing	678	490817	Rewind Spacer
			68	63770	Clutch Ball			
			70	298799	Clutch Ratchet			

★ Included in Engine Gasket Set—Ref. No. 358.
● Included in Carburetor Overhaul Kit—Ref. No. 121.

∅ Included in Valve Gasket Set—Ref. No. 1095.
◆ Included in Carburetor Gasket Set—Ref. No. 977.

19A400 to 19A499



REF. NO.	PART NO.	DESCRIPTION	REF. NO.	PART NO.	DESCRIPTION	REF. NO.	PART NO.	DESCRIPTION
3	★391086	Oil Seal (Magneto Side)	20	★391086	Oil Seal (PTO Side)	137	●◆281165	Float Bowl Gasket
7	★∅272163	Cylinder Head Gasket	51	●◆272708	Intake Gasket	147	●497472	Pilot Jet
9	★∅27803	Breather Gasket	51A	★∅272707	Intake Gasket	163	★∅273101	Air Cleaner Gasket
12	★271701	Crankcase Gasket (.015 Thick, Std.)	93	●690602	Throttle Shaft Bushing	276	●◆281164	Sealing Washer
Note			95	●94098	Screw (Throttle Valve)	358	497070	Engine Gasket Set
	★27876	Crankcase Gasket (.005 Thick)	104	●690525	Float Hinge Pin	634	●690802	Spring/Seal Assembly
	★27877	Crankcase Gasket (.009 Thick)	105	●231935	Float Needle Valve	977	497069	Carburetor Gasket Set
			106	●231856	Inlet Seat	978	★273326	OIL GARD® Gasket
			121	497849	Carburetor Overhaul Kit	987	●691326	Throttle Shaft Seal
						1095	498534	Valve Gasket Set

★ Included in Engine Gasket Set—Ref. No. 358.
● Included in Carburetor Overhaul Kit—Ref. No. 121.

∅ Included in Valve Gasket Set—Ref. No. 1095.
◆ Included in Carburetor Gasket Set—Ref. No. 977.